

Note...

These Pages 1015 to 1018 Issue 4, and Page 1019 Issue 3, supersede Pages 1015 to 1018 Issue 3 dated Sep 83, and Pages 1019 and 1020 Issue 2 dated Sep 78. They have been revised throughout.

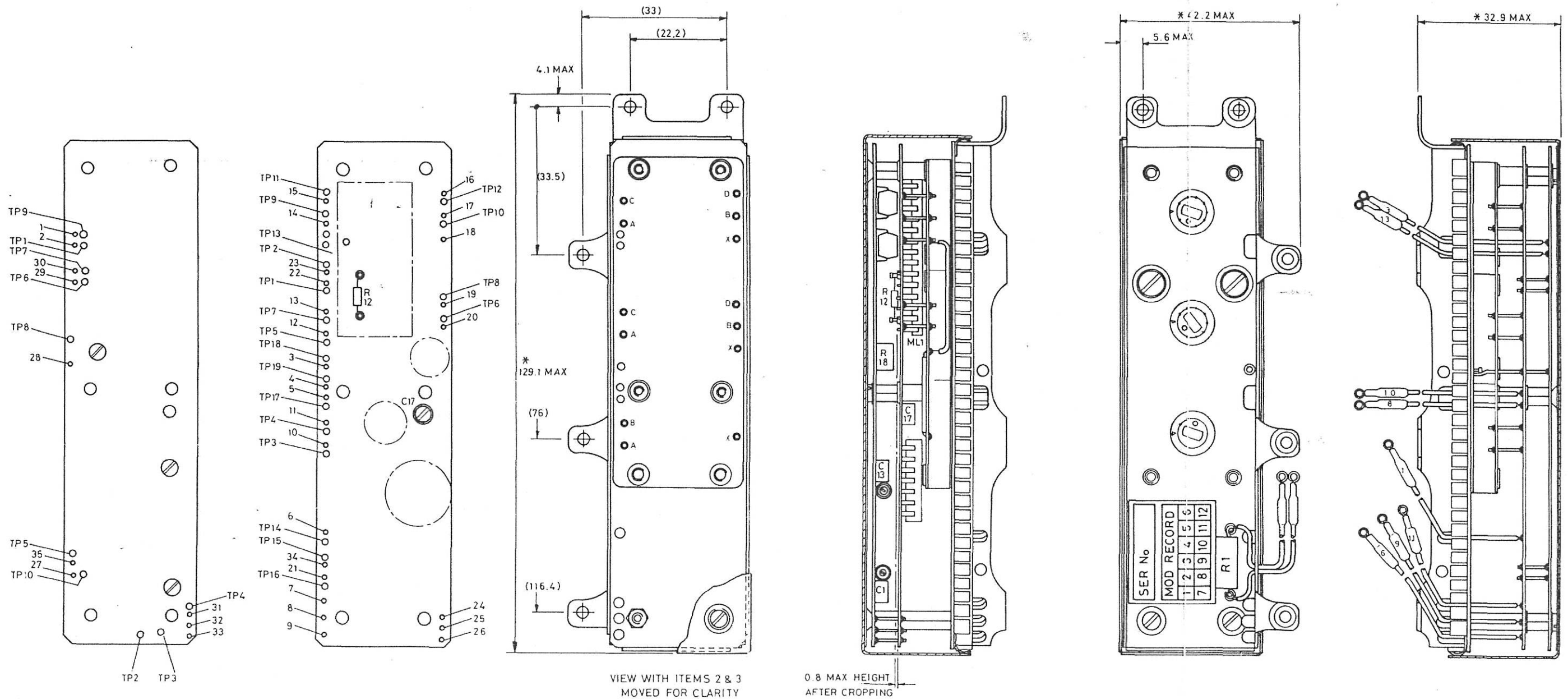


Fig 2006 - Synthesizer 10a, 10b and 10c interconnections

100

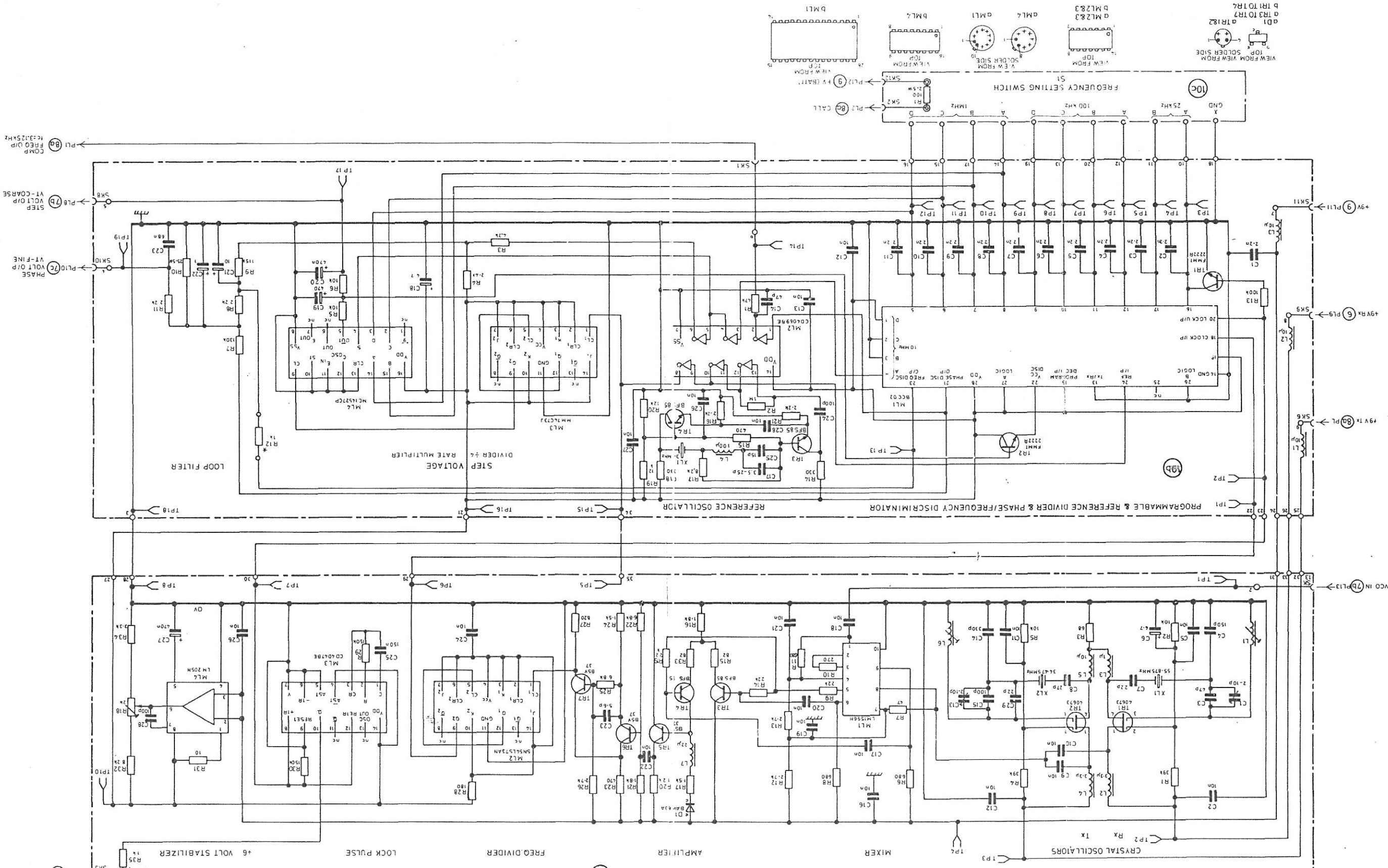


Fig 2007 - Synthesizer, circuit diagram

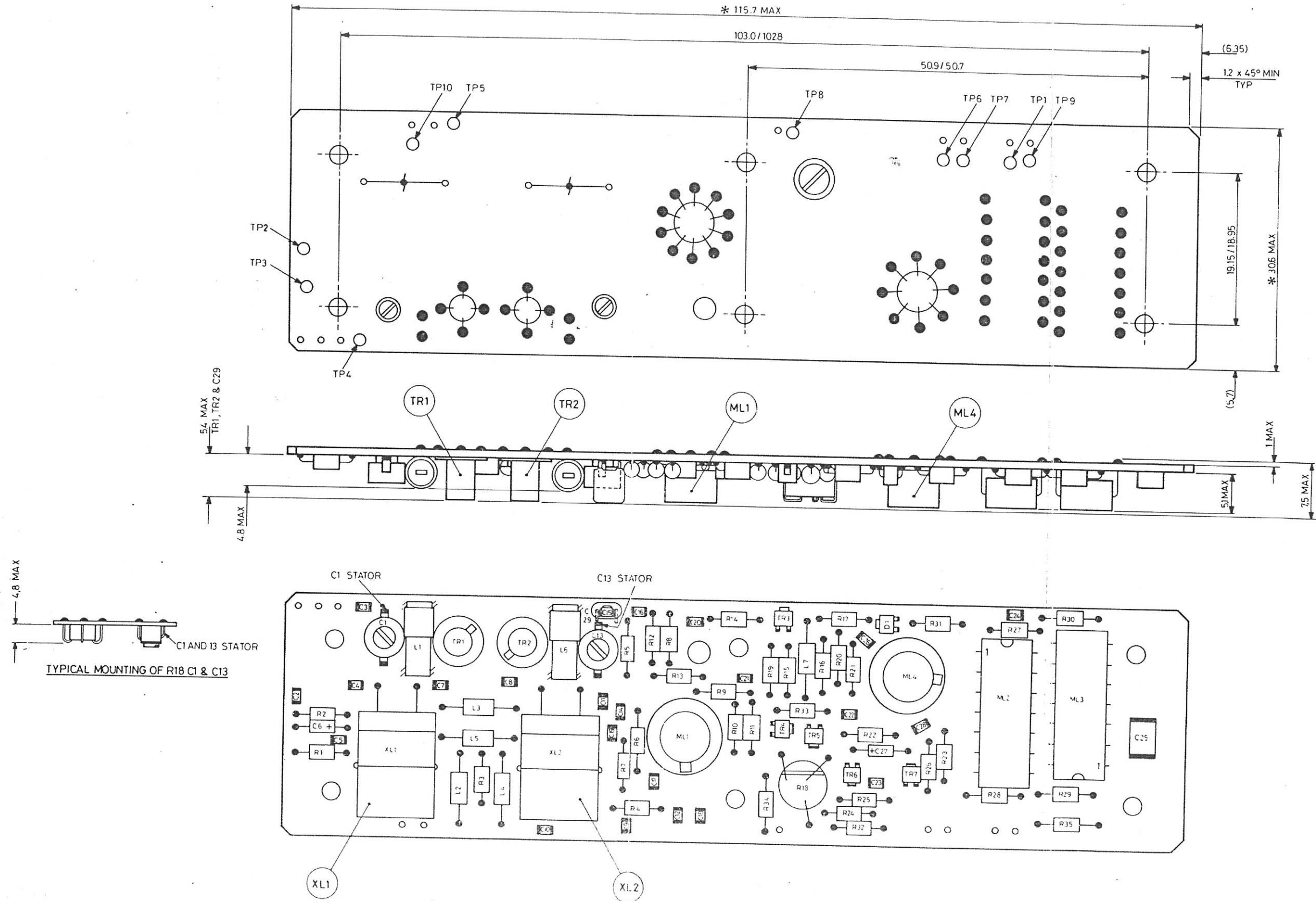
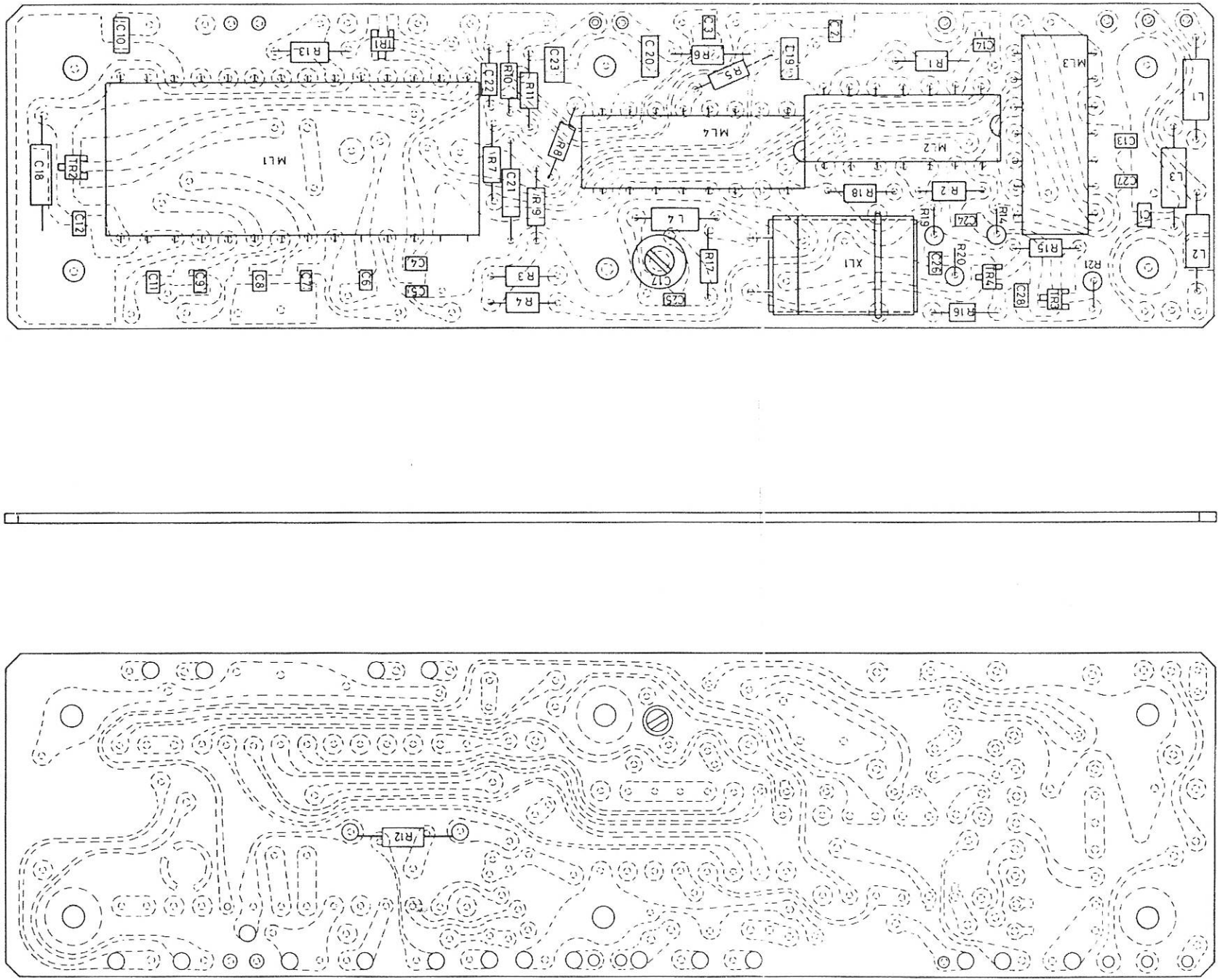


Fig 2008 - Synthesizer, sub assembly 10a

Fig 2009 - Synthesizer, sub assembly 10b



NOTES:-
 1. REPLACEMENT (10B) SUB ASSEMBLIES ARE FITTED WITH A CONTACT SPRING WHICH SHOULD ONLY BE REMOVED AFTER FITTING AND SOLDERING (10B) TO (10C) (SEE FIG 2006-FOR ASSEMBLY INSTRUCTIONS)
 2. FOR CIRCUIT DIAGRAM SEE FIG 2007

