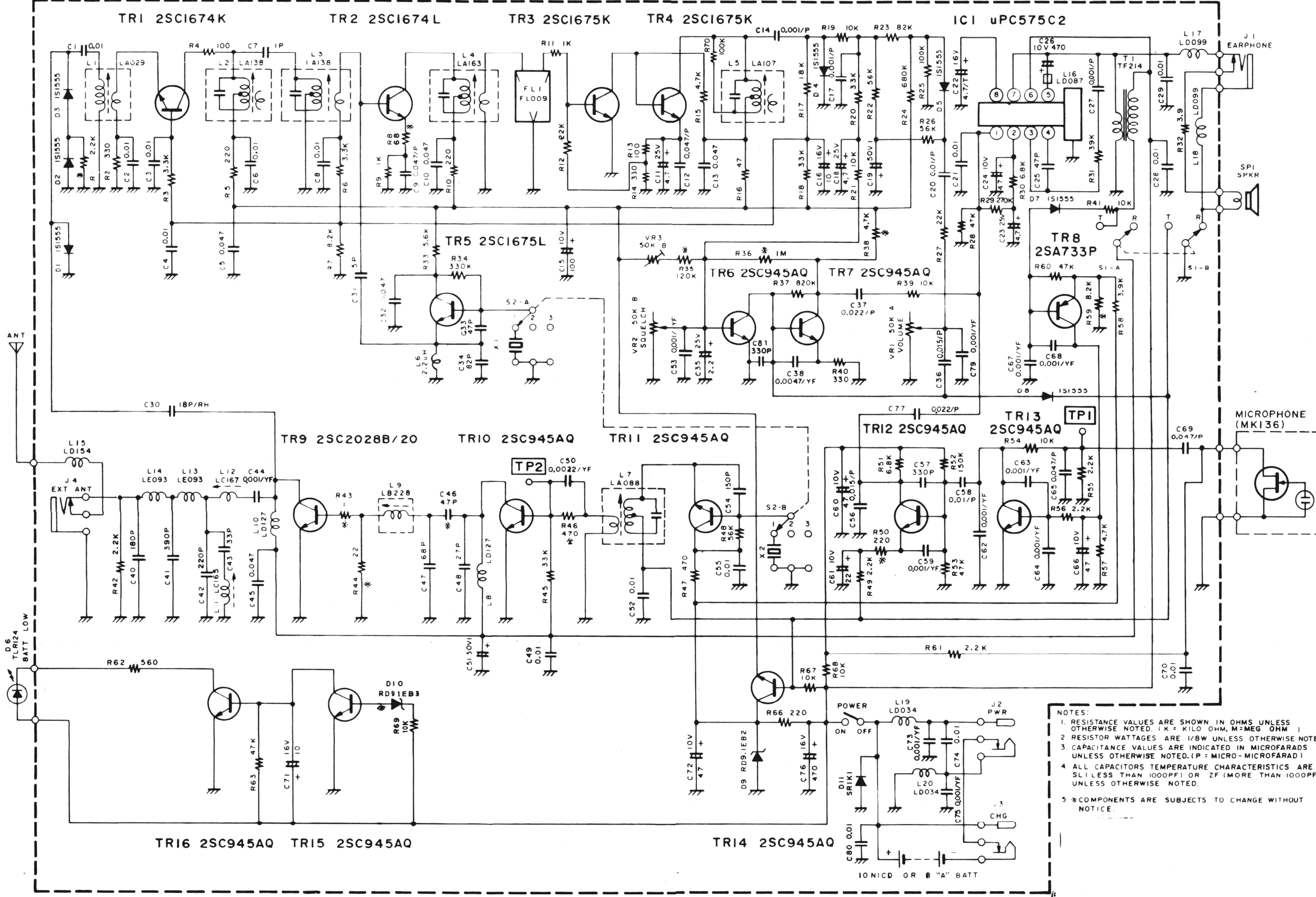


PC-963 (MAIN)



- NOTES:
1. RESISTANCE VALUES ARE SHOWN IN OHMS UNLESS OTHERWISE NOTED. (K = KILO OHM, M = MEG OHM)
 2. RESISTOR WATTAGES ARE 1/8W UNLESS OTHERWISE NOTED.
 3. CAPACITANCE VALUES ARE INDICATED IN MICROFARADS UNLESS OTHERWISE NOTED. (P = MICRO-MICROFARAD)
 4. ALL CAPACITORS TEMPERATURE CHARACTERISTICS ARE SL1 (LESS THAN 1000PF) OR ZF (MORE THAN 1000PF) UNLESS OTHERWISE NOTED.
 5. * COMPONENTS ARE SUBJECTS TO CHANGE WITHOUT NOTICE.