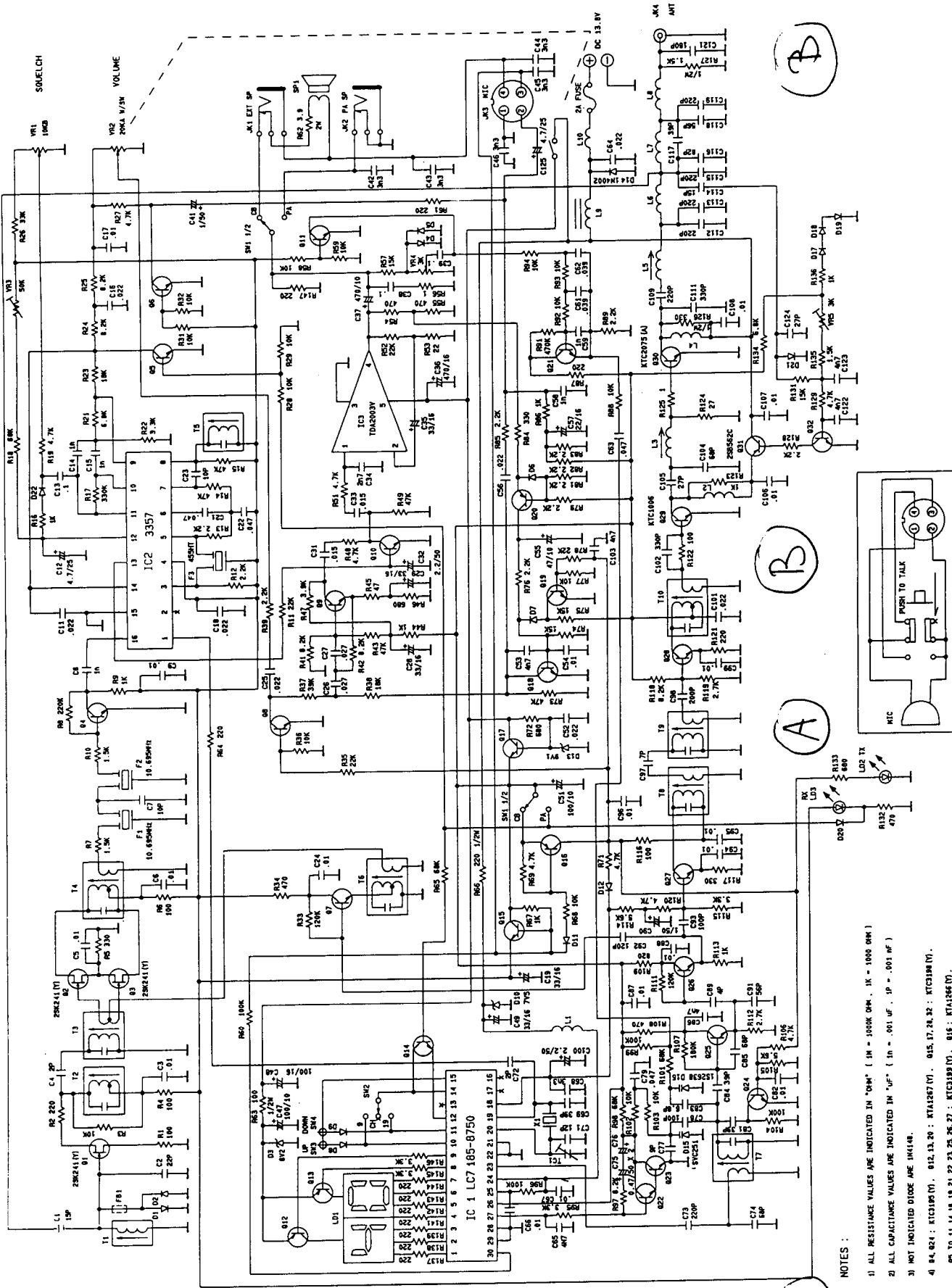


# SCHEMATIC DIAGRAM

danita 240 & 1240 (40CH.FM CB TRANSCEIVER) SCHEMATIC DIAGRAM

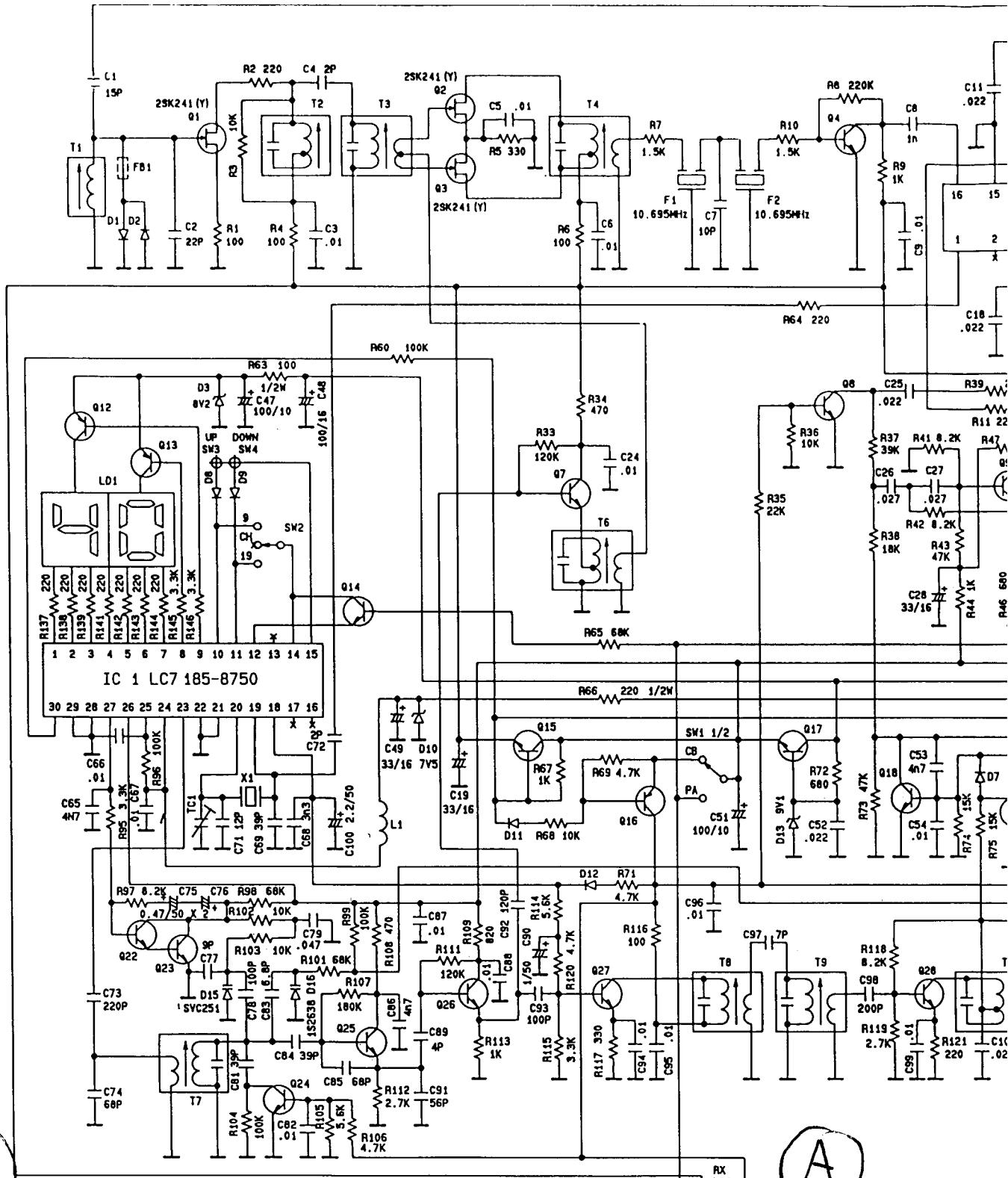


NOTES :

- 1) ALL RESISTANCE VALUES ARE INDICATED IN "OHMS" (1K = 1000 OHMS, 1M = 1000000 OHMS)
- 2) ALL CAPACITANCE VALUES ARE INDICATED IN "UF" (10 = .001 UF, 1P = .001 PF)
- 3) NOT INDICATED DIODES ARE 1N4148
- 4) 84, 824 : KTC1397 (V), 812, 13, 20 : KTA1287 (V), 815, 17, 24, 32 : KTC1398 (V), 85 TO 51, 14, 18, 21, 22, 23, 25, 26, 27 : KTC1399 (V), 816 : KTA1286 (V)

REMARK : SOME COMPONENTS SUBJECT TO CHANGE FOR AN IMPROVEMENT WITHOUT NOTICE.

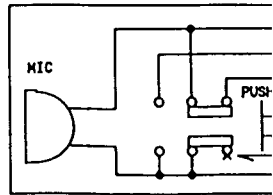
danita® 1240



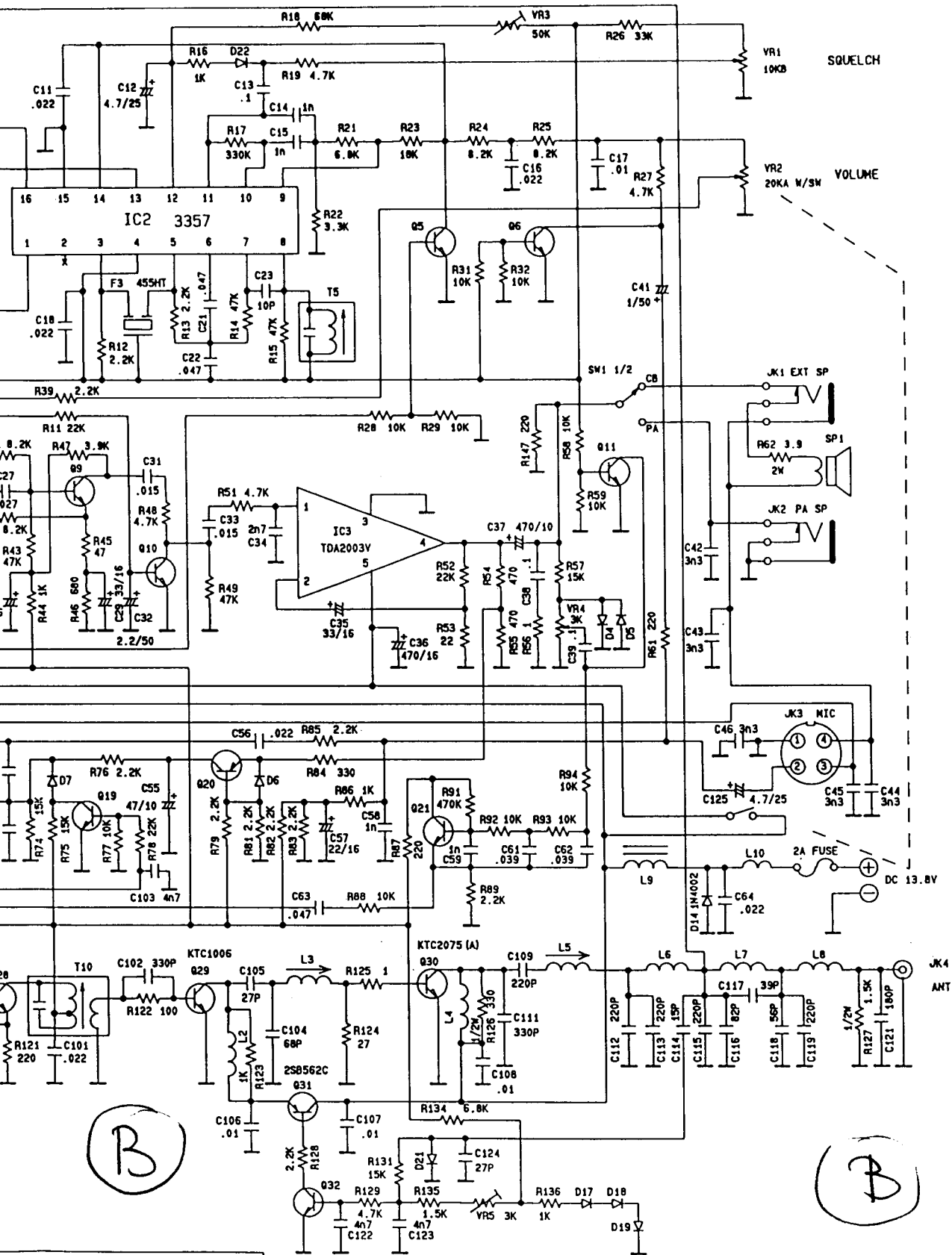
NOTES :

- 1) ALL RESISTANCE VALUES ARE INDICATED IN "OHM" ( 1M = 1000K OHM , 1K = 1000 OHM )
- 2) ALL CAPACITANCE VALUES ARE INDICATED IN "uF" ( 1n = .001 uF , 1P = .001 nF )
- 3) NOT INDICATED DIODE ARE 1N4148.
- 4) Q4, Q24 : KTC3195 (Y) . Q12, 13, 20 : KTA1267 (Y) . Q15, 17, 28, 32 : KTC3198 (Y) .  
Q5 TO 11, 14, 18, 19, 21, 22, 23, 25, 26, 27 : KTC3199 (Y) . Q16 : KTA1266 (Y) .

REMARK : SOME COMPONENTS SUBJECT TO CHANGE FOR AN IMPROVEMENT WITHOUT NOTICE.



CH.FM CB TRANSCEIVER) SCHEMATIC DIAGRAM



SCHEMATIC DIAGRAM