

TR-4Cw SUPPLEMENTARY INSTRUCTION SHEET

The TR-4Cw incorporates all of the features contained in the TR-4C plus a 500 Hz bandwidth crystal filter to improve CW selectivity.

This instruction sheet deals only in differences and additions that this feature will add to the instruction manual supplied.

SPECIFICATIONS

Receiver Selectivity: 6 dB=500 Hz, 60 dB=2.0 kHz with Sideband Switch in 500 Hz position.

OPERATION

The Sideband Switch selects between upper, lower, and 500 Hz filters. The sideband being utilized is indicated by the upper/lower lights. When the sideband switch is in the 500 Hz position, the same light will light as when the switch is in the "X" position.

Tune Up is identical to that of the TR-4C.

Operation on CW is accomplished in the same manner as the TR-4C except that the sideband switch can be placed on the 500 Hz position to more easily separate stations under crowded band conditions.

It will be noted that when transmitting with the 500 Hz filter switched in, the XMTR Gain Control will have to be advanced slightly further clockwise to obtain the same plate current as obtained when either upper or lower filters are used.

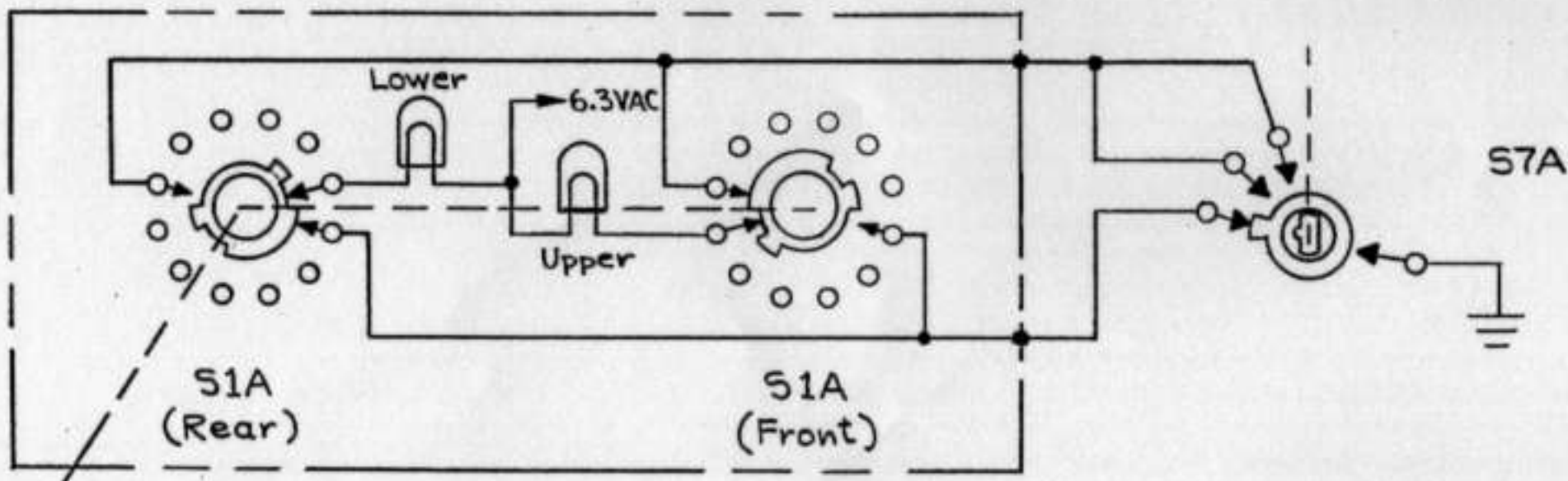
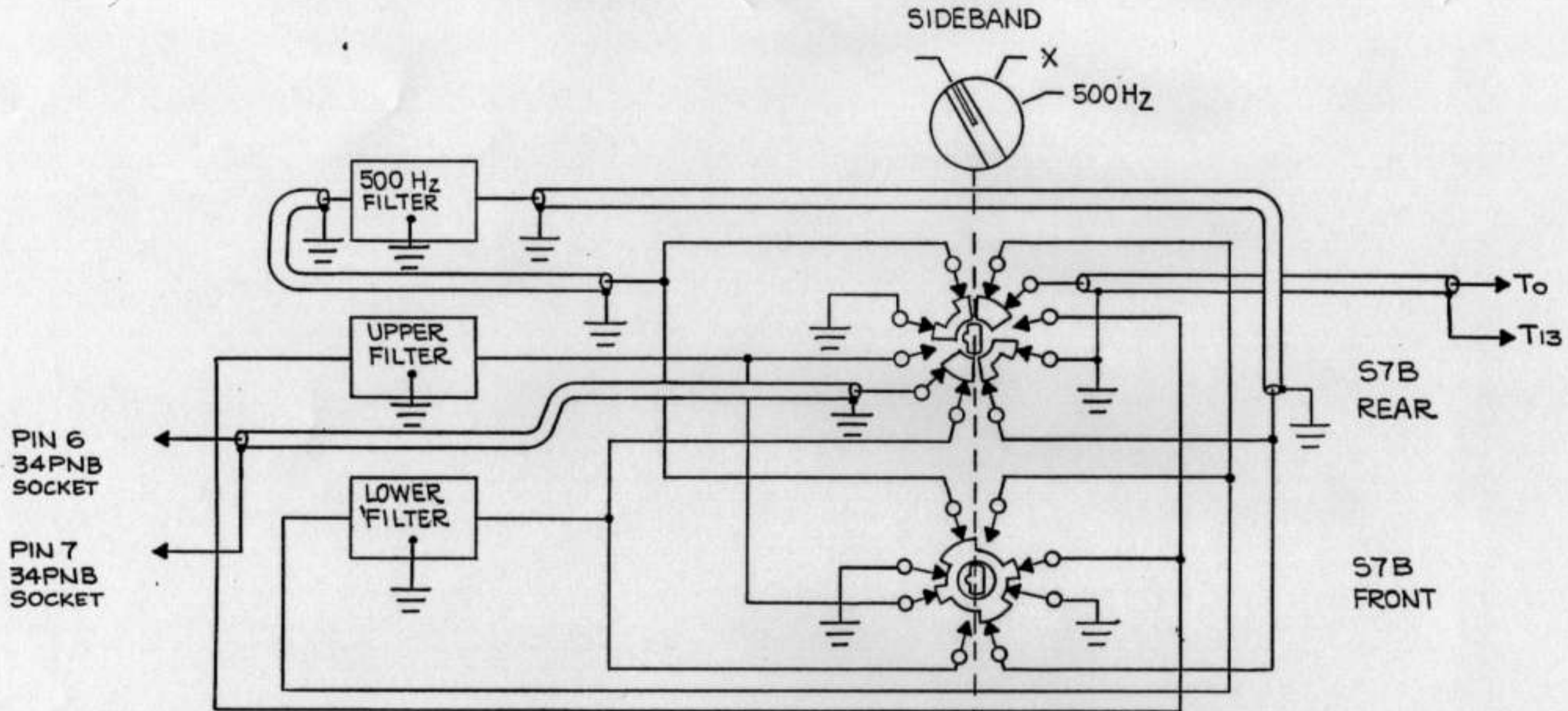
The center frequency of the CW filter is such that when a signal is tuned for maximum S-meter reading, an audio beat note of approximately 800 Hz will be produced. Therefore, when tuning in CW signals with the filter switch in the "X" position, signals should be tuned for this audio frequency so they will still be tuned in when switching to the 500 Hz filter.

SSB Operation is not recommended with the 500 Hz filter switched in since it will narrow the bandwidth of both transmitted and received audio sufficiently to make it virtually unintelligible.

MAINTENANCE

Alignment is accomplished in exactly the same manner as the TR-4C. No special tuning of T6 or T13 is required.

Access to circuitry hidden by the 500 Hz filter is obtained by loosening the two nuts holding the 500 Hz filter bracket to the upper/lower filter bracket and lifting the filter and bracket as a unit off the transceiver.



To Band Switch (80 meter position)