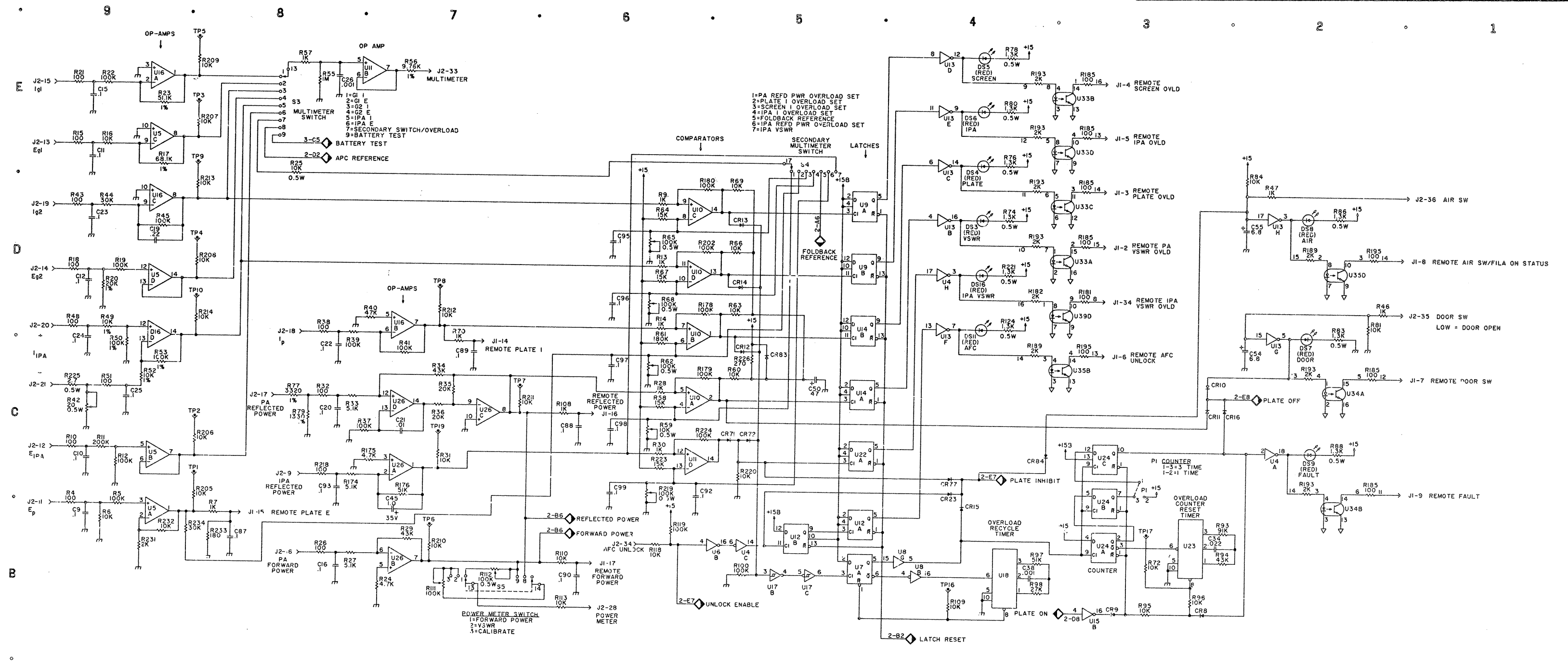


REFERENCE DOCUMENTS	
PC. BOARD	NET LIST
843 4979 009	

		DWG. NO. 839 7832 019			
LTR	DATE	REVISION	DFTM	ENG	ECN
H	2-12 90	MOVED CONNECTION R234 FROM R233 TO C97	SAM		35673
J	9-27 91	ADD FILAMENT DELAY CKT	RLB		37259



REFERENCE DESIGNATORS	LAST USED	NOT USED
CAPACITOR	C39	CS1, C81
CONNECTOR	J2	
DIODE	CR84	
IC	U32	
LED	DS17	
PLUG	P4	
RESISTOR	R228	
SWITCH	S10	S1
TRANSISTOR	Q1	

INDICATES SHEET NUMBER (UNUSED IF SAME SHEET)  
 INDICATES ZONE  
 CONTINUATION SYMBOL

- 5 U1 = 7815/340-15
  - U2 = 7913
  - U3, U10 = 339
  - U5, U10, U16, U26 = TL074ACN
  - U7, U9, U12, U14, U23, U25 = 74C274
  - U4, U6, U13, U15 = MM74C242N
  - U8, U15, U23 = 14541/4541
  - U24 = 74C175
  - U20, U32 = 74C20
  - U17 = 74C44
  - U21, U27 = 74C93, 40193
  - U31 = 1408/0808
  - U29, U30 = C24048B
  - U8, U28 = MM74C244N
- 4 CR4, CR5, CR16, CR28, CR92, CR84, IN914  
 3 CAPACITANCE IS IN UF  
 2 RESISTANCE IS IN OHMS  
 1 RESISTORS ARE 1/4 WATT, 5% UNLESS OTHERWISE NOTED

CAD-CAM FILED: SCH.ES.J97832.019

<p>UNLESS NOTED</p> <table border="0"> <tr> <td>INCHES</td> <td>.X ± .030</td> <td>MILLIMETERS</td> <td>.X ± .8</td> </tr> <tr> <td></td> <td>.XX ± .015</td> <td></td> <td>.XX ± .40</td> </tr> <tr> <td></td> <td>.XXX ± .005</td> <td></td> <td>.XXX ± .100</td> </tr> </table> <p>ALL DIMENSIONS UNLESS INDICATED OTHERWISE          ALL ANGLES UNLESS INDICATED OTHERWISE          125 MICRO INCH. / 3.175 MICRONS.</p>		INCHES	.X ± .030	MILLIMETERS	.X ± .8		.XX ± .015		.XX ± .40		.XXX ± .005		.XXX ± .100		
INCHES	.X ± .030	MILLIMETERS	.X ± .8												
	.XX ± .015		.XX ± .40												
	.XXX ± .005		.XXX ± .100												
<p>ALL DIM. IN INCHES UNLESS NOTED</p>		<p>THIS DOCUMENT CONTAINS PROPRIETARY DATA OF HARRIS CORPORATION. NO DISCLOSURE, REPRODUCTION, OR USE OF ANY PART THEREOF MAY BE MADE EXCEPT BY WRITTEN PERMISSION.</p>													
<p>DR. BY D. GLOVER 3-88</p>		<p>TITLE</p>													
<p>CHKD.</p>		<p>SCHEM,</p>													
<p>M.E.</p>		<p>CONTROL PC BD</p>													
<p>E.E.</p>		<p>SCALE</p>													
<p>PROJ. ENG.</p>		<p>REF. DWG.</p>													
<p>MFG.</p>		<p>MAT'L.</p>													
<p>NEXT ASSY.</p>		<p>FIN.</p>													
<p>992-6619-002</p>		<p>DWG. NO.</p>													
<p>USED ON</p>		<p>SHEET</p>													
<p>992-7038-001</p>		<p>1 OF 3</p>													
		<p>839 7832 019</p>													