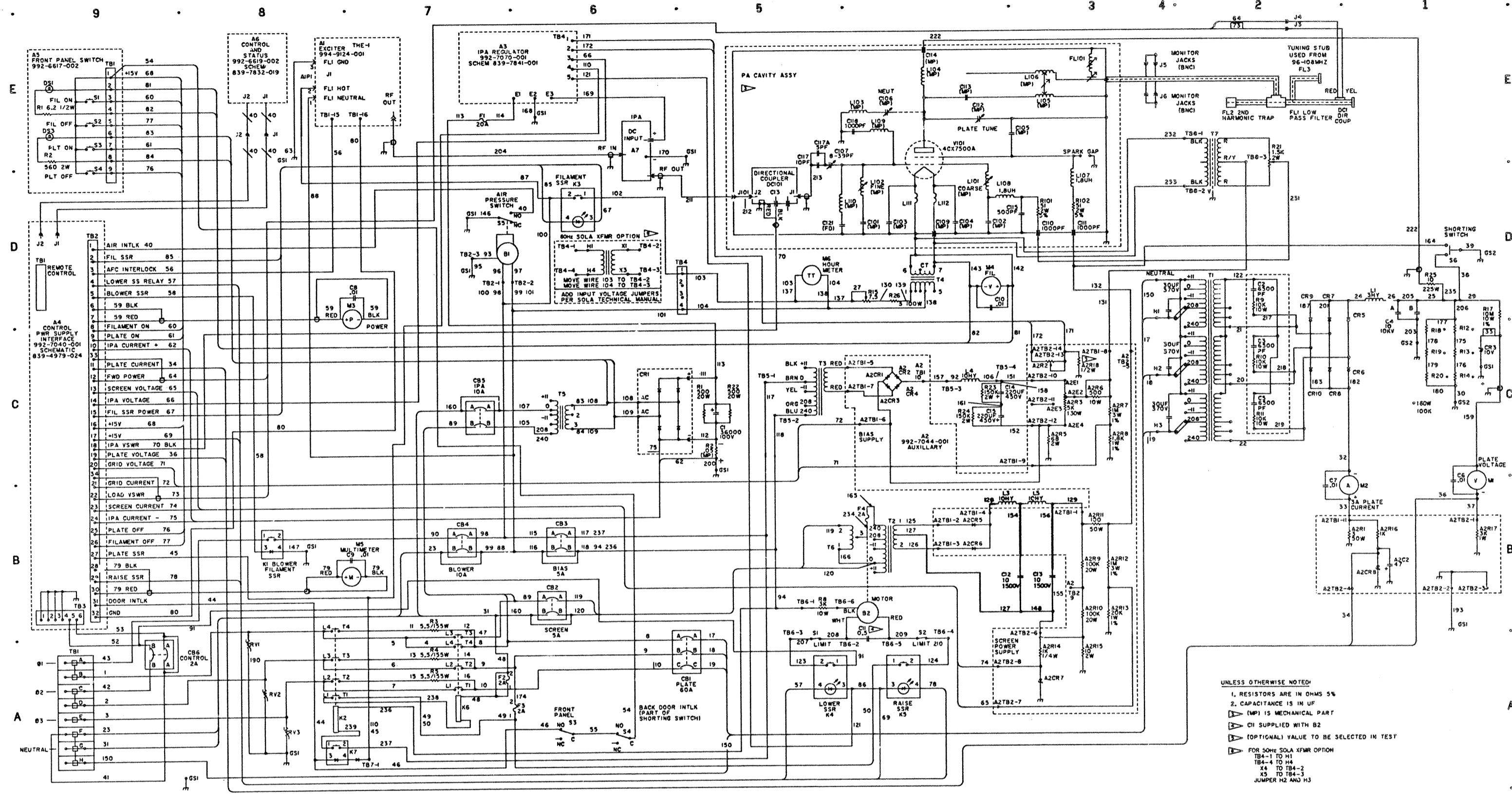


REFERENCE DOCUMENTS	
PC. BOARD	NET LIST

DWG. NO. 839-7832-085		REVISION	DFTM	ENG	ECN
LTR	DATE				
H	12-14 1993	RESISTOR R21 WAS 200	SEC	SEC	38880
J	11-01 1994	ADDED L5, REVISED VALUE OF A2R9 AND A2R10	SEC	SEC	39542



UNLESS OTHERWISE NOTED:  
 1. RESISTORS ARE IN OHMS 5%  
 2. CAPACITANCE IS IN UF  
 (MP) IS MECHANICAL PART  
 (SI) SUPPLIED WITH B2  
 (OPT) VALUE TO BE SELECTED IN TEST  
 FOR SOME SOLA XFMR OPTION  
 T84-1 TO H1  
 T84-4 TO H4  
 X4 TO T84-2  
 JUMPER H2 AND H3

TOL UNLESS NOTED		<b>HARRIS</b>
INCHES	MILLIMETERS	
.X ± .030	.X ± .8	
.XX ± .015	.XX ± .40	
.XXX ± .005	.XXX ± .100	
ALL DIM IN INCHES		THIS DOCUMENT CONTAINS PROPRIETARY DATA OF HARRIS CORPORATION. NO DISCLOSURE, REPRODUCTION, OR USE OF ANY PART THEREOF MAY BE MADE EXCEPT BY WRITTEN PERMISSION.
UNLESS NOTED		
ALL DIM IN MILLIMETERS		
ALL DIM IN INCHES		TITLE SCHEM. HT-7/10 FM OVERALL 3 PHASE 415V 50HZ 4 WIRE
UNLESS NOTED		
ALL DIM IN MILLIMETERS		
DR. BY D.GLOVER 5-2-90	CHKD. ORR 5-30-90	PROJ. ENG.
M.E.	E.E. NOWACK 5-90	MFG.
NEXT ASSY.		SCALE
USED ON	MAT'L.	FIN.
DWC. NO. 839-7832-085		SHEET 1 OF 1