

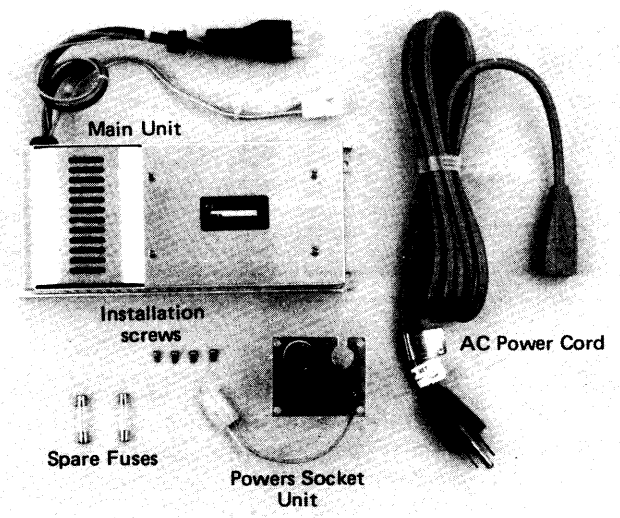
Downloaded by
RadioAmateur.EU

ICOM
INSTRUCTION MANUAL
IC-PS25
INTERNAL POWER SUPPLY UNIT
 (DC13.8V 8A SWITCHING REGULATOR)

This instruction manual gives descriptions and installation instructions for the optional power supply unit for ICOM's base transceivers, IC-271A/E and IC-471A/E. It also provides information you need while using them.
 Please read all the instructions carefully before installation so you will get maximum performance and full value from the set.

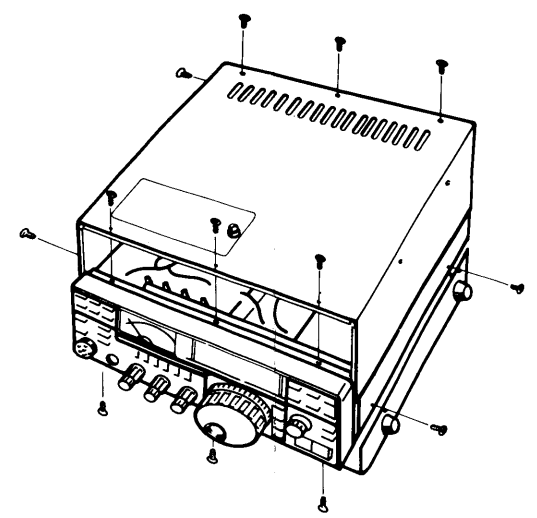
SPECIFICATIONS

Number of Semiconductors	Transistor	2
	IC	1
	Diode	6
Input Voltage	110/220V AC (50/60Hz)	
Allowable Voltage Fluctuation	±10% of input voltage (suitable line voltage)	
Input Capacity	230VA (at 8A load)	
Output Voltage	13.8V DC Negative ground	
Max. Load Current	8A (10 mins ON/10 mins OFF)	
Dimensions	207(W) x 47.5(H) x 92(D) mm	
Weight	Approx. 1.0kg	
Kit Included	Main Unit	1
	Power Socket Unit	1
	AC Power Cord	1
	Spare Fuses	2
	Installation Screws	4



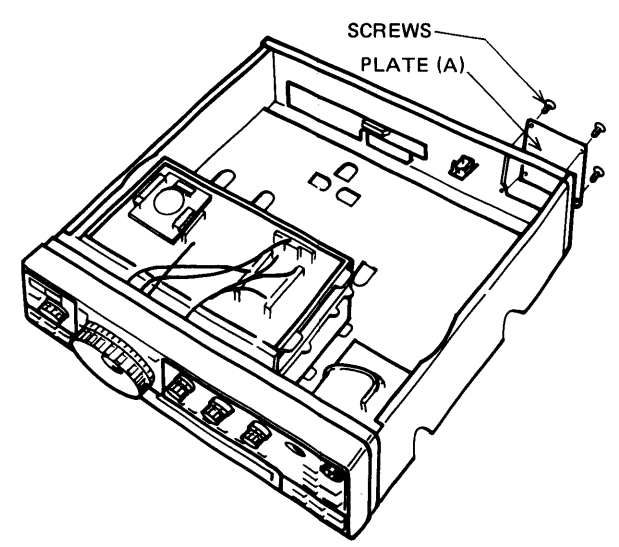
PREPARATION

Before performing any work on the set, make sure that the power cord is unplugged from the transceiver.
 Remove the top and bottom covers by unscrewing the six screws each on the top and bottom, and the two screws on each side. Take care not to damage the internal speaker, and unplug its connector.

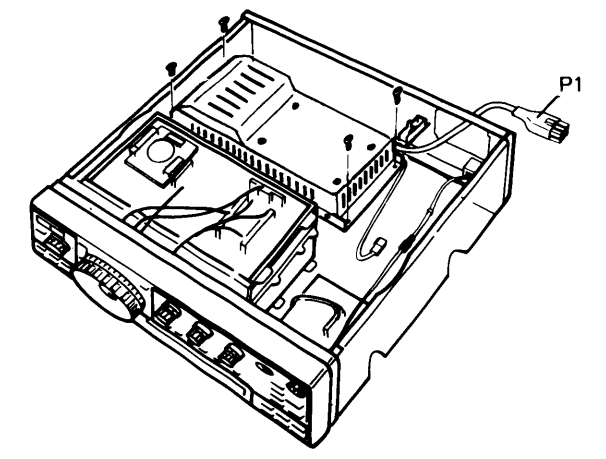


ASSEMBLY PROCEDURE

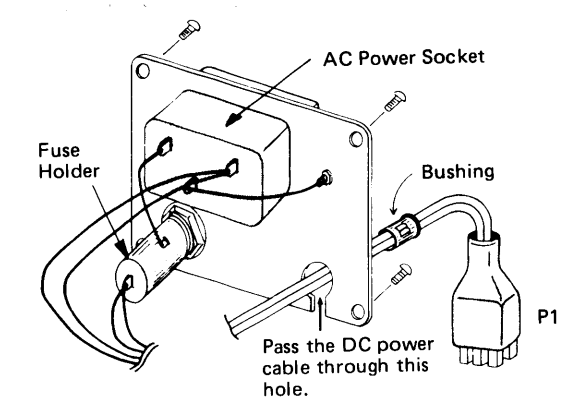
1. Turn the transceiver upside down. Remove the "PLATE (A)" attached to the rear panel by unscrewing the four screws. These screws will be used later.



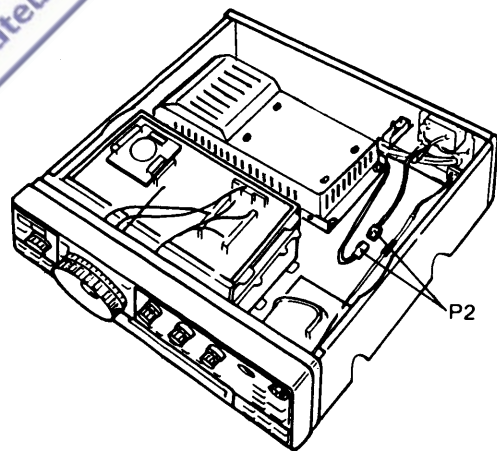
2. Put the power supply unit into the set so that its cables are toward the rear as shown in the illustration, and attach it to the chassis by the supplied screws.
 Pass the DC power connector, P1, through the hole which was closed by the PLATE (A) before.



3. Pass the DC power cable attached P1 through the hole of the AC power socket plate as shown in the illustration, then insert the bushing into the hole.
 Attach the AC power socket plate to the position where the PLATE (A) was attached before, by using the screws described in 1, so that the AC power socket is toward the bottom of the set.

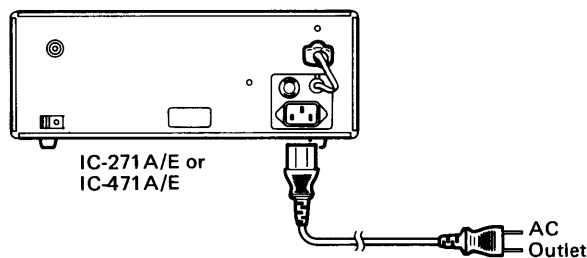


4. Connect P2 connector of the power supply unit with P2 of the power socket unit.
 5. Connect the internal speaker connector and replace the bottom and top covers of the set.
 Plug P1 of the power supply unit to the DC power socket of the set.



OPERATION

1. Connect the DC output plug, P1, of this unit into the transceiver DC power socket securely. At this time, make sure that:
 - A. The power switch on the transceiver is OFF.
 - B. The T/R switch is in the RECEIVE position.
 - C. The PTT switch on the microphone is not depressed.
 - D. The VOX switch is in the OFF (out) position.
2. Connect the supplied AC power cord into the AC power socket (newly installed) on the rear panel of the transceiver. Then connect the AC power plug into an AC power outlet.



3. By turning the transceiver power switch ON, this unit will be turned ON and supply a 13.8V DC to the transceiver.

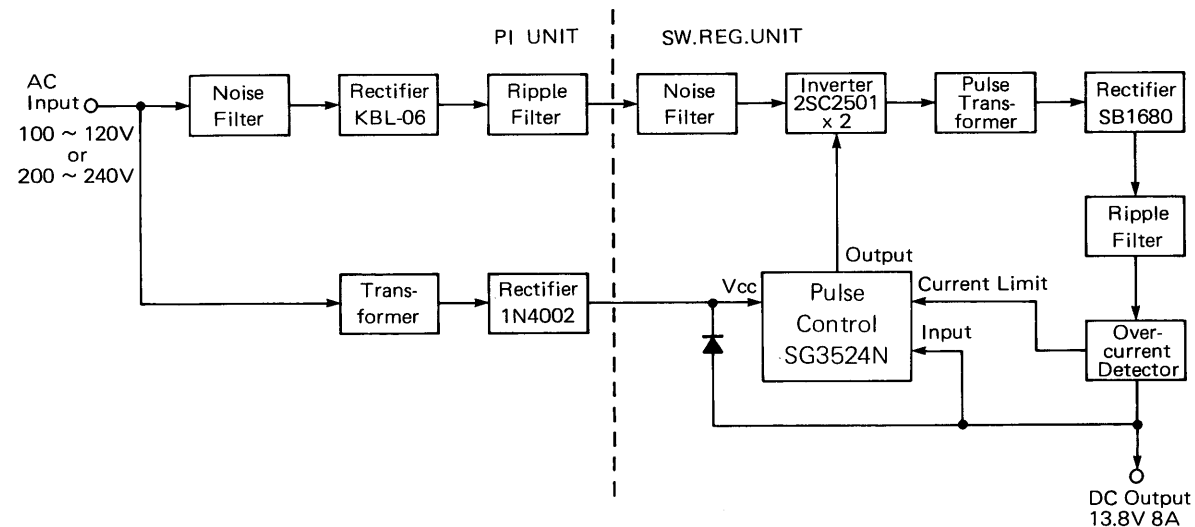
CAUTION

1. Ground the GROUND TERMINAL of the set with as short a wire as possible to prevent electrical shock, TVI, BCI and other problems.

2. This unit stops the output voltage with a protection circuit, when output voltage is shorted or consumed load current exceeds 9A. When the output voltage is stopped, turn the power switch of the transceiver OFF and remove the cause of the problem.

3. If the fuse blows, replace it with a 5A (at 117V) or 3A (at 240V) fuse after checking the cause of the problem. Use a Philips (+) screwdriver to open the holder. The outside ring of the holder cannot be rotated.

BLOCK DIAGRAM



SCHEMATIC DIAGRAM

