



SERVICE MANUAL

HF/VHF/UHF ALL MODE TRANSCEIVER

IC-7100

S-15008XZ-C1
July 2013

Icom Inc.

INTRODUCTION

This service manual describes the latest technical information for the **IC-7100 HF/VHF/UHF ALL MODE TRANSCEIVER**, at the time of publication.

MODEL	VERSION	VERSION NUMBER
IC-7100	USA	#02
	EUR	#03
	EUR-01	#04
	ITR	#05
	ESP	#06
	TPE	#07
	KOR	#08
	CHN	#09
	FRA	#12
	EXP	#13

CAUTION

NEVER connect the transceiver to an AC outlet or to a DC power supply that uses more than the specified voltage. This will ruin the transceiver.

DO NOT expose the transceiver to rain, snow or liquids.

DO NOT reverse the polarities of the power supply when connecting the transceiver.

DO NOT apply an RF signal of more than 20 dBm (100 mW) to the antenna connector. This could damage the transceiver's front-end.

To upgrade quality, any electrical or mechanical parts and internal circuits are subject to change without notice or obligation.



ORDERING PARTS

Be sure to include the following four points when ordering replacement parts:

1. 10-digit Icom part number
2. Component name
3. Equipment model name and unit name
4. Quantity required

<ORDER EXAMPLE>

1110003491 S.IC TA31136FNG IC-7100 MAIN UNIT 5 pieces
8820001210 Screw 2438 screw IC-7100 Top cover 10 pieces

Addresses are provided on the inside back cover for your convenience.

REPAIR NOTES

1. Make sure that the problem is internal before dis-assembling the transceiver.
2. **DO NOT** open the transceiver until the transceiver is disconnected from its power source.
3. **DO NOT** force any of the variable components. Turn them slowly and smoothly.
4. **DO NOT** short any circuits or electronic parts. An insulated tuning tool **MUST** be used for all adjustments.
5. **DO NOT** keep power ON for a long time when the transceiver is defective.
6. **DO NOT** transmit power into a Standard Signal Generator or a Sweep Generator.
7. **ALWAYS** connect a 40 dB to 50 dB attenuator between the transceiver and a Deviation Meter or Spectrum Analyzer, when using such test equipment.
8. **READ** the instructions of the test equipment thoroughly before connecting it to the transceiver.

TABLE OF CONTENTS

SECTION 1	SPECIFICATIONS	
SECTION 2	INSIDE VIEWS	
SECTION 3	CIRCUIT DESCRIPITON	
3-1	RECEIVER CIRCUITS.....	3-1
3-2	TRANSMITTER CIRCUITS.....	3-2
3-3	FREQUENCY SYNTHESIZER CIRCUITS	3-4
3-4	VOLTAGE BLOCK DIAGRAM	3-4
3-5	PORT ALLOCATIONS	3-5
SECTION 4	ADJUSTMENT PROCEDURES	
4-1	PREPARATION	4-1
4-2	FREQUENCY ADJUSTMENT	4-3
4-3	TRANSMIT ADJUSTMENT.....	4-4
4-4	RECEIVE ADJUSTMENT	4-5
SECTION 5	PARTS LIST	
SECTION 6	MECHANICAL PARTS	
SECTION 7	BOARD LAYOUTS	
SECTION 8	WIRING DIAGRAM	
SECTION 9	BLOCK DIAGRAM	
SECTION 10	VOLTAGE DIAGRAM	

◇ General

- Frequency coverage: (unit: MHz)

Receive

0.030000–199.999999*1*2

400.000000–470.000000*1*2

Transmit

1.800000– 1.999999*2, 3.500000– 3.999999*2,

5.255000– 5.405000*1*3,

5.332000*3*4, 5.348000*3*4, 5.358500*3*4,

5.373000*3*4, 5.405000*3*4,

7.000000– 7.300000*2, 10.100000– 10.150000*2,

14.000000– 14.350000*2, 18.068000– 18.168000*2,

21.000000– 21.450000*2, 24.890000– 24.990000*2,

28.000000– 29.700000*2, 50.000000– 54.000000*2,

70.000000– 70.500000*2, 144.000000–148.000000*2,

430.000000–450.000000*2

*1Some frequency ranges are not guaranteed.

*2Depending on version. *3USA version only.

*4Center frequency.

- Mode: USB, LSB, CW, RTTY, AM, FM, WFM (RX only), DV
- No. of memory channels: 495CH (99CH × 5 bank)
- No. of scan edge memory channels: 6 CH (2 × 3 edges)
- No. of call channels: 4 CH (2 × 2 band)
- Antenna connector: SO-239 × 2
- Antenna impedance: 50 Ω
- Usable temperature range: –10°C to +60°C; +14°F to +140°F
- Frequency stability: Less than ±0.5 ppm, 5 minutes after power ON. (0°C to +50°C; +32°F to +122°F at 430 MHz band)
- Frequency resolution: 1 Hz
- Power supply: 13.8 V DC ±15% (negative ground)
- Power consumption:
 - Transmit
 - Max. power: 22.0 A
 - Receive
 - Standby: 0.9 A
 - Max. audio: 1.2 A
- Dimensions (projections not included):
 - Main unit: 167(W) × 58(H) × 225(D) mm; 6.6(W) × 2.3(H) × 8.9(D) in
 - Controller: 165(W) × 64(H) × 78.5(D) mm; 6.5(W) × 2.5(H) × 3.1(D) in
- Weight (approximately):
 - Main unit: 2.3 kg; 5.1 lb
 - Controller: 0.5 kg; 1.1 lb
- ACC connector: 13-pin
- DATA1 connector: 3-conductor 2.5 (d) mm (1/10")
- DATA2 connector: 6-pin
- REMOTE connector: 2-conductor 3.5 (d) mm (1/8")

◇ Transmitter

- Output power (at 13.8 V DC/+25°C): (continuously adjustable)

Frequency band	Output power
HF/50 MHz	2 to 100 W (AM: 1 to 30 W)*
70 MHz	2 to 50 W (AM: 1 to 15 W)*
144 MHz	2 to 50 W
430 MHz	2 to 35 W

* In the AM mode, transmission can be performed only on the HF/50/70 MHz frequency band.

- Modulation system:
 - SSB: Digital PSN modulation
 - AM: Digital Low power modulation
 - FM: Digital Phase modulation
 - DV: GMSK Digital Phase modulation
- Spurious emission:
 - (Spurious domain)
 - HF bands: Less than –50 dB
 - 50 MHz band: Less than –63 dB
 - 70/144/430 MHz bands: Less than –60 dB
 - (Out-of-band domain)
 - HF bands: Less than –40 dB
 - 50/70/144/430 MHz bands: Less than –60 dB
- Carrier suppression: More than 50 dB
- Unwanted sideband suppression: More than 50 dB
- Microphone connector: 8-pin modular jack
- Microphone impedance: 600 Ω
- ELEC-KEY connector: 3-conductor 3.5(d) mm (1/8")
- KEY connector: 2-conductor 3.5(d) mm (1/8")

◇ Receiver

- Receive system

SSB/CW/RTTY/AM/FM/DV:

Triple superheterodyne system
Double superheterodyne system

WFM:

- Intermediate frequencies

1st: 124.487 MHz
(SSB/CW/RTTY/AM/FM/DV)
134.732 MHz (WFM)
2nd: 455 kHz
(SSB/CW/RTTY/AM/FM/DV)
10.7 MHz (WFM)
3rd: 36 kHz
(SSB/CW/RTTY/AM/FM/DV)

- Sensitivity

SSB, CW (10 dB S/N): 0.15 μV (1.80–29.9950 MHz)*¹
0.12 μV (50 MHz)*²
0.15 μV (70 MHz)*²
0.11 μV (144/430 MHz)*³
AM (10 dB S/N): 13.0 μV (0.5–1.8 MHz)*¹
2.0 μV (1.80–29.9950 MHz)*¹
1.0 μV (50/70 MHz)*²
1.0 μV (144/430 MHz)
FM (12 dB SINAD): 0.5 μV (28.0–29.7 MHz)*¹
0.25 μV (50/70 MHz)*²
0.18 μV (144/430 MHz)*³
WFM (12 dB SINAD): 10.0 μV (76–108 MHz)*³
DV (1% BER): 1.0 μV (28.0–29.7 MHz)*¹
0.63 μV (50/70 MHz)*²
0.35 μV (144/430 MHz)*³

*¹ Preamp 1 is ON, *² Preamp 2 is ON, *³ Preamp is ON

- Squelch sensitivity

Frequency band	Squelch sensitivity
HF* ¹	SSB : Less than 5.6 μV
	FM : Less than 0.3 μV
50/70 MHz* ²	SSB : Less than 5.6 μV
	FM : Less than 0.3 μV
144/430 MHz* ³	SSB : Less than 5.6 μV
	FM : Less than 0.3 μV

*¹ Preamp 1 is ON, *² Preamp 2 is ON, *³ Preamp is ON

- Selectivity (IF filter shape is set to SHARP.)

SSB (BW: 2.4 kHz): More than 2.4 kHz/–6 dB
Less than 3.4 kHz/–40 dB
CW (BW: 500 Hz): More than 500 Hz/–6 dB
Less than 700 Hz/–40 dB
RTTY (BW: 500 Hz): More than 500 Hz/–6 dB
Less than 800 Hz/–40 dB
AM (BW: 6 kHz): More than 6.0 kHz/–6 dB
Less than 10.0 kHz/–40 dB
FM (BW: 15 kHz): More than 12.0 kHz/–6 dB
Less than 22.0 kHz/–40 dB
DV (CH space: 12.5 kHz): More than –50 dB

- Spurious and image rejection ratio

HF band: More than 70 dB
50/70 MHz bands*: More than 70 dB
*except 1/2 IF through on 50/70 MHz bands
144/430 MHz bands*: More than 65 dB
*except IF through on 144 MHz band

- AF output power:

More than 2.0 W at 10% distortion with an 8 Ω load

- AF output impedance:

8 Ω

- RIT variable range:

\pm 9.999 kHz

- PHONES connector:

3-conductor 3.5 (d) mm ($1/8$ "

- External SP connector:

2-conductor 3.5 (d) mm ($1/8$ ")/
8 Ω

- DSP ANF attenuation:

More than 30 dB
(with 1 kHz single tone)

- DSP MNF attenuation:

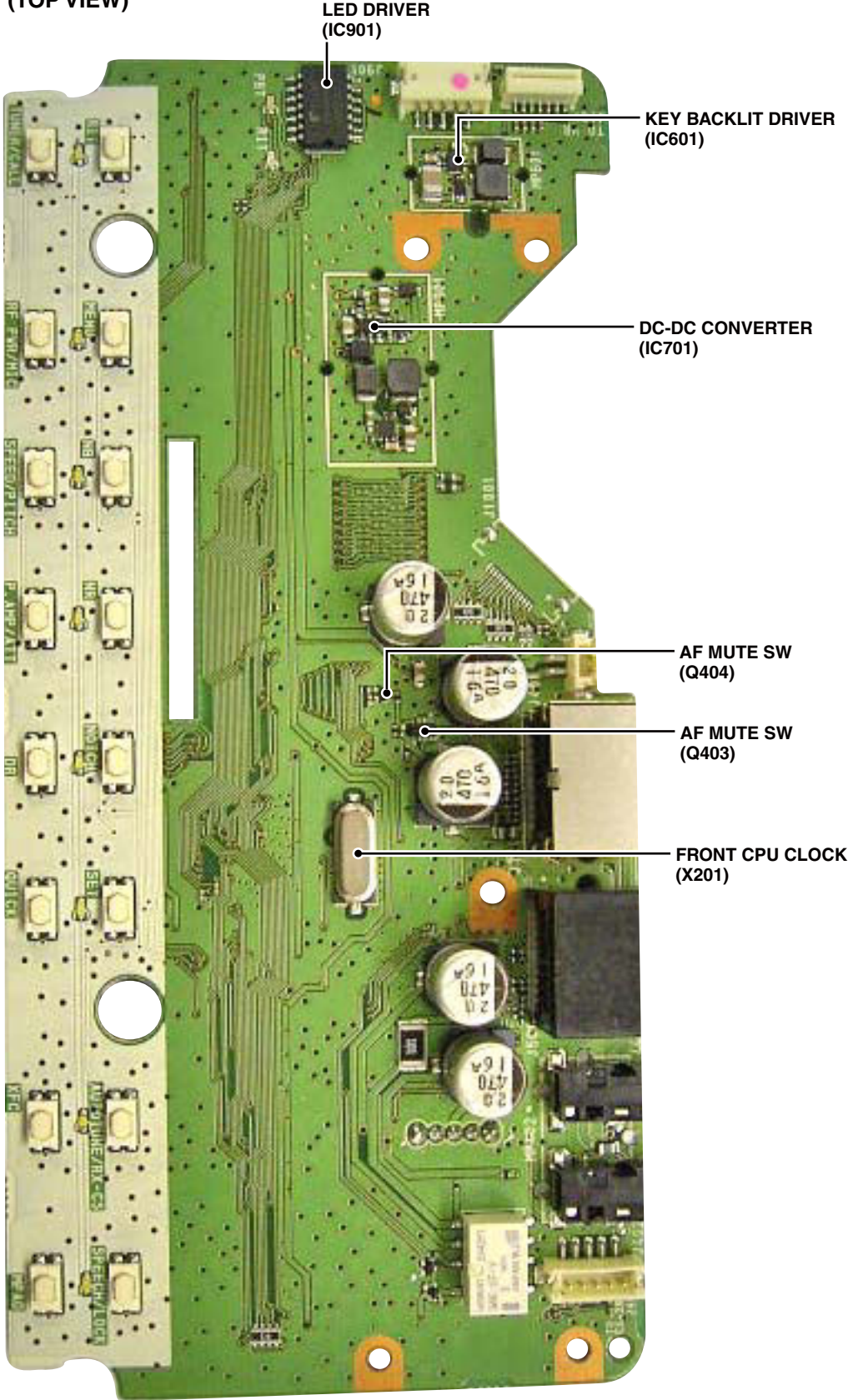
More than 70 dB

- DSP NR attenuation:

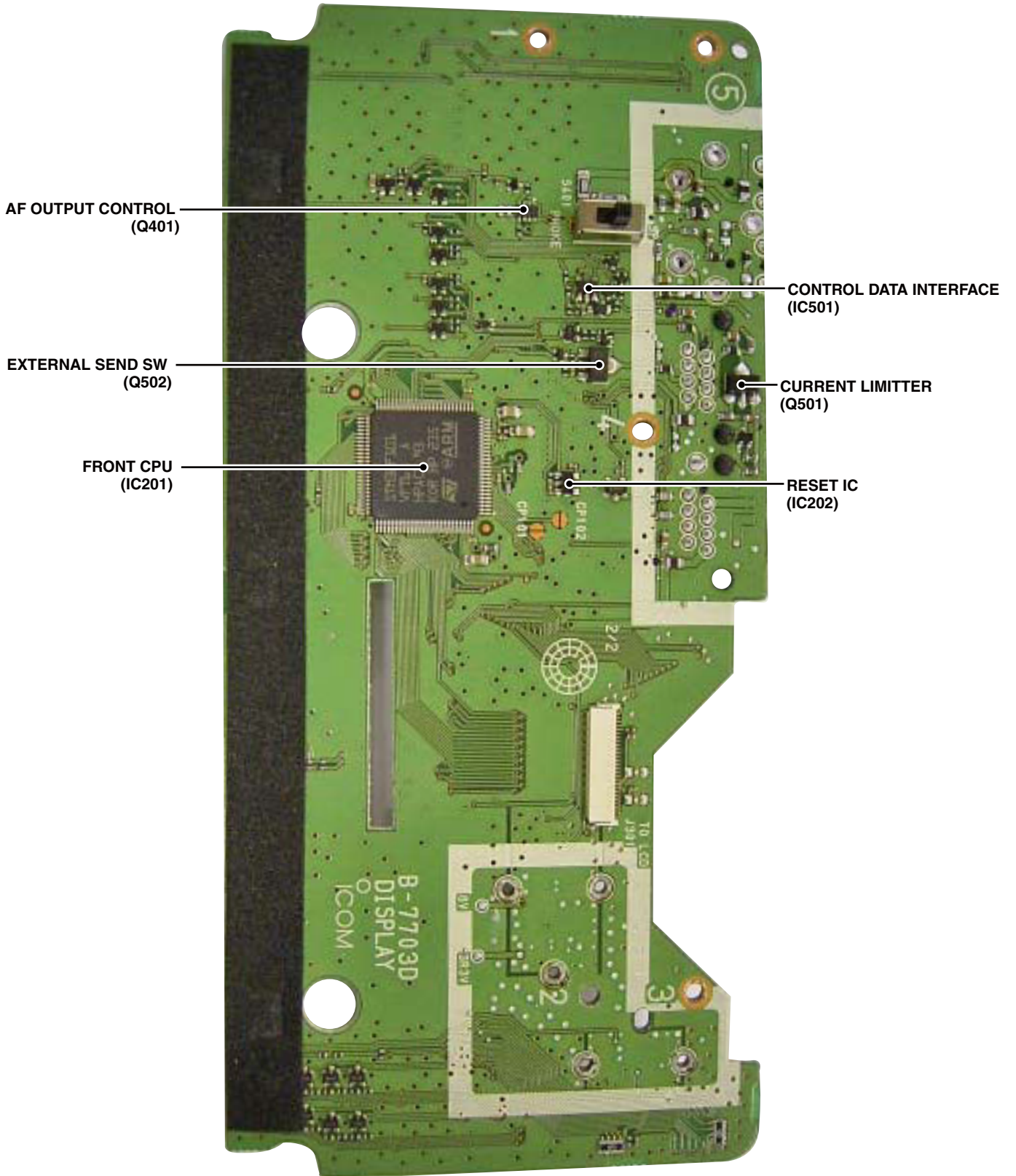
More than 6 dB
(noise rejection in SSB)

All stated specifications are typical and subject to change without notice or obligation.

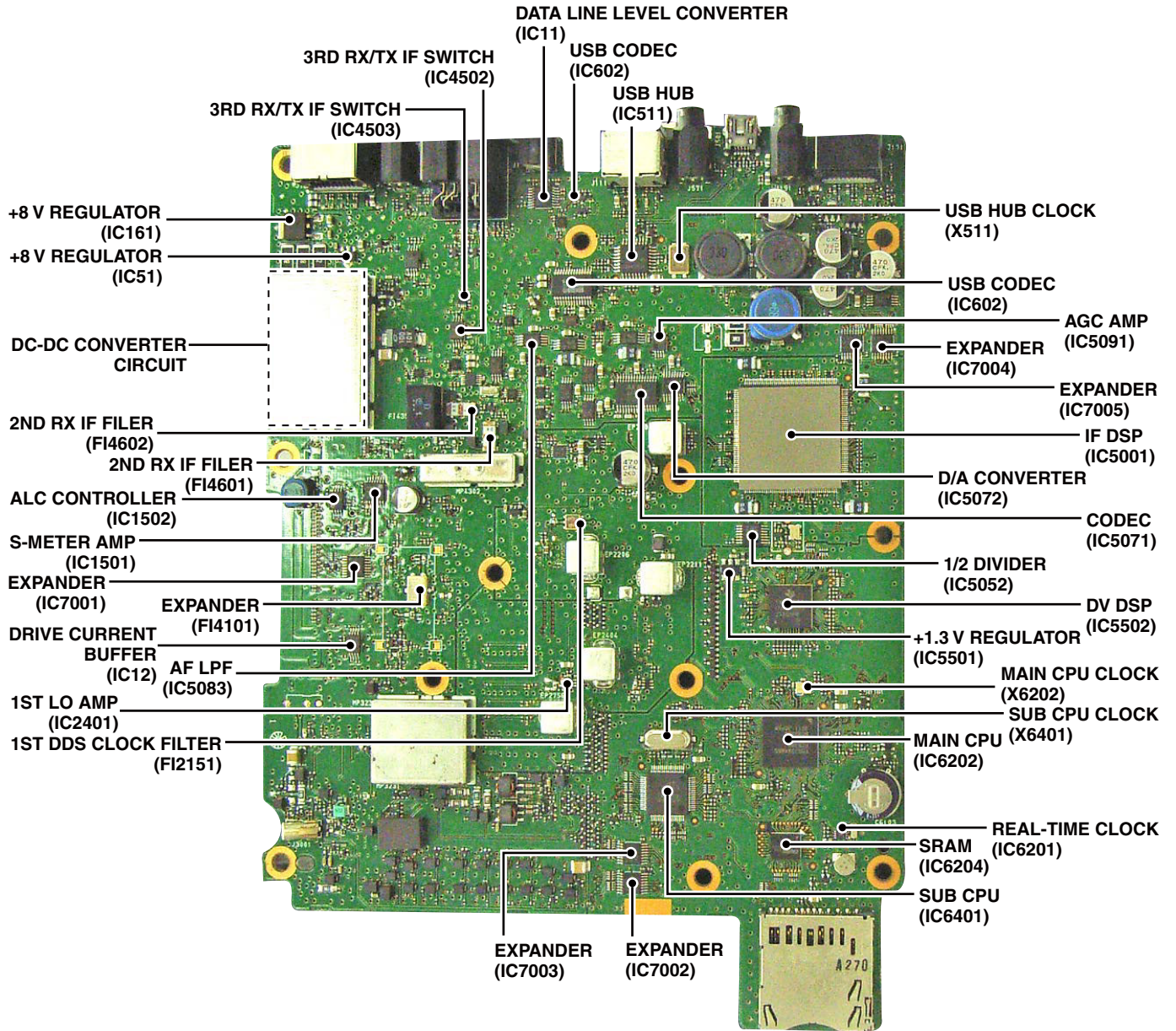
• DISPLAY UNIT
(TOP VIEW)



• DISPLAY UNIT
(BOTTOM VIEW)



• MAIN UNIT



3-1 RECEIVER CIRCUITS

RF CIRCUIT (PA UNIT)

• While operating on the HF, 50 MHz and 70 MHz bands

The RX signal from the antenna connector ([ANT1]: J1) is passed through the power/SWR detect circuit (D961 and D962) and one of the LPFs, depending on the operating band, to remove unwanted out-of-band signals. (See the LPF TABLE below.)

The filtered RX signal is passed through the TX/RX SW (RL801) and LPF (L801, L802, C801, C803 and C805) for further removal of unwanted signals, and then passed through the mute SWs (D181 and D182).

When the attenuator is turned ON, the RX signal is passed through the 18 dB attenuator (MAIN UNIT: D3082 and D3083).

The RF signal is passed through one of the BPFs, depending on the operating frequency, to remove unwanted signals. (See the BPF TABLE on page 3-2.)

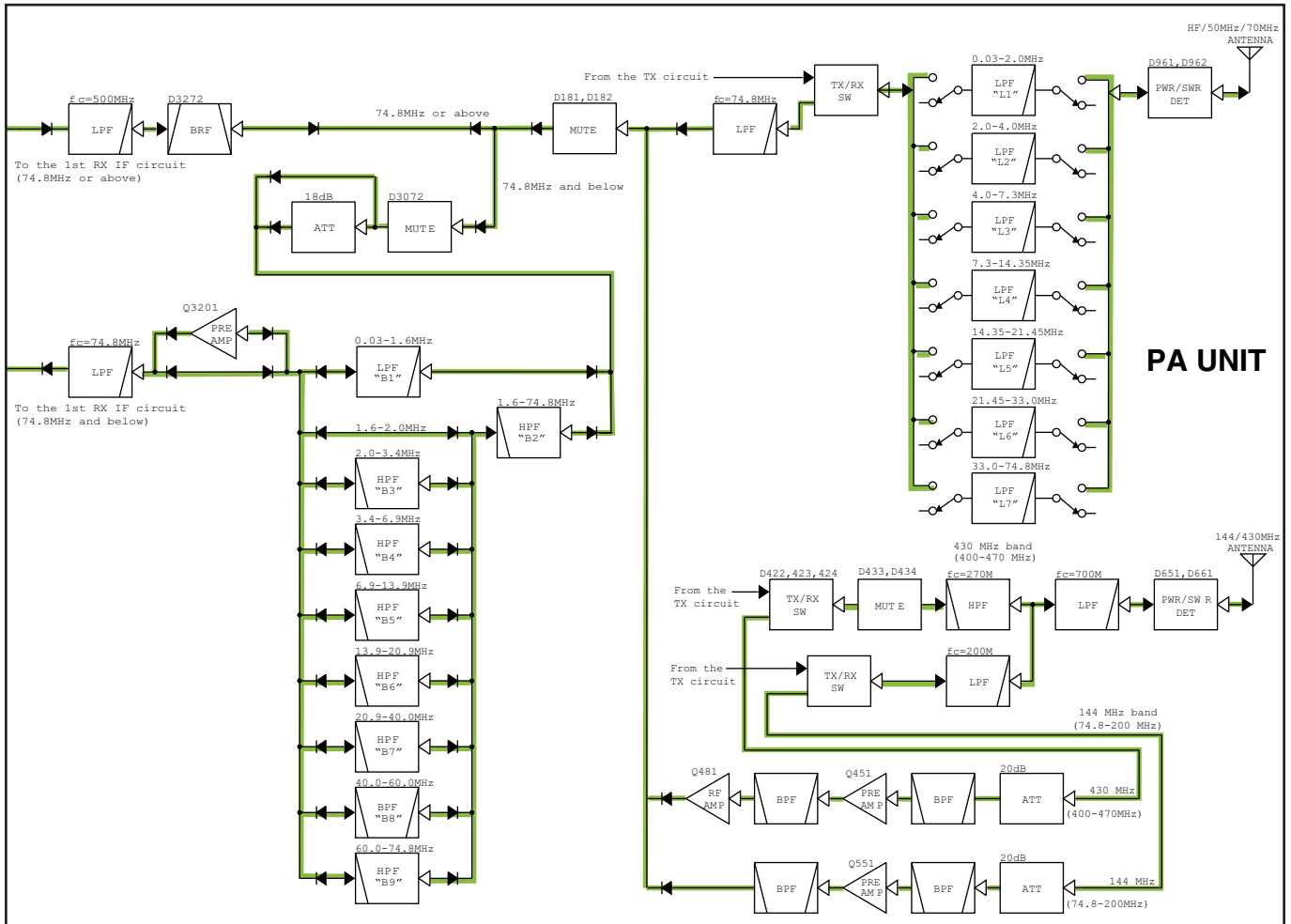
The filtered signal is applied to the pre-AMP circuit.

PRE-AMP CIRCUIT (MAIN UNIT)

When the pre-AMP is turned ON, the RX signal is amplified by the pre-AMP (Q3201).

The amplified signal is applied to the 1st RX IF circuits.

• RF CIRCUITS



• LPF TABLE

Filter	Operating frequency (MHz)	Filter switches	Components	Control line (Active High)
L1	0.030000 to 1.999999	RL880 RL881	L881, L882 C882 to C886, C888 to C890, C893, C894, C896, C897, C899	L1
L2	2.000000 to 3.999999	RL920 RL921	L921, L922, C922 to C929, C933, C984	L2
L3	4.000000 to 7.300000	RL840 RL841	L841 to L843, C842 to C848, C850, C854 to C859	L3
L4	7.300001 to 14.350000	RL900 RL901	L901 to L903, C902, C907	L4
L5	14.350001 to 21.450000	RL940 RL941	L942, L943, C944 to C947, C950, C953	L5
L6	21.450001 to 32.999999	RL820 RL821	L822, L823, C824 to C828, C833, C835	L6
L7	33.000000 to 74.799999	RL860 RL861	L861 to L863, C863 to C866, C868, C869, C873, C875 to C878	L7

• While operating on the 144 MHz and 430 MHz bands

The RX signal from the antenna connector ([ANT2]) is passed through the power/SWR detect circuit (D651 and D661) and LPF (L591 to L593, C591 and C592).

144 MHz BAND SIGNAL

The RX signal is passed through the LPF (L541 to L543, C542 to C547) and TX/RX SW (RL531).

When the attenuator is turned ON, the RX signal is also passed through the 20 dB attenuator (D551 and D552).

The RX signal is then passed through the BPF (MAIN UNIT : D553 to D556, L552, L553 and C553) and applied to the pre-AMP (Q551).

The amplified signal is passed through another BPF (MAIN UNIT: D557 to D560, L557 and C561), RX mute (D181 and D182), BPF (MAIN UNIT: D3272, L3271, L3272, C3271 to C3273) and LPF (L3261 to L3263, C3261 to C3267), and then applied to the 1st RX IF circuit.

• BPF TABLE

Filter	Operating frequency (MHz)	Filter switches	Components	Control line (Active High)
B0	0.030000 to 1.599999	D3111 D3112	L3112, C3112, C3113, C3115	B0
B1	1.600000 to 1.999999	D3121 D3122	L3103 to L3106, C3102 to C3106	B1
B1 and B2	2.000000 to 3.399999	D3121 D3122 and D3131 D3132	L3103 to L3106, C3102 to C3106 and L3132, L3133, C3132 to C3137	B2
B1 and B3	3.400000 to 6.899999	D3121 D3122 and D3141 D3142	L3103 to L3106, C3102 to C3106 and L3142, L3143, C3142 to C3146	B3
B1 and B4	6.900000 to 13.899999	D3121 D3122 and D3151 D3152	L3103 to L3106, C3102 to C3106 and L3152, L3153, C3152 to C3156	B4
B1 and B5	13.900000 to 20.899999	D3121 D3122 and D3161 D3162	L3103 to L3106, C3102 to C3106 and L3162, L3163, C3162 to C3166	B5
B1 and B6	20.900000 to 39.999999	D3121 D3122 and D3171 D3172	L3103 to L3106, C3102 to C3106 and L3172, L3173, C3172 to C3176	B6
B1 and B7	40.000000 to 59.999999	D3121 D3122 and D3181 D3182	L3103 to L3106, C3102 to C3106 and L3182, L3183, C3182 to C3187	B7
B1 and B8	60.000000 to 74.799999	D3121 D3122 and D3191 D3192	L3103 to L3106, C3102 to C3106 and L3192, L3193, C3192 to C3196	B8

430 MHz BAND SIGNAL

The RX signal is passed through the HPF (L441, L442, C441 to C443), mute SW (D433 and D434) and TX/RX SW (D422 to D424).

When the attenuator is turned ON, the RX signal is also passed through the 18 dB attenuator (D451 and D452).

The RX signal is then passed through the BPF (MAIN UNIT : D454, L452 and C454) and applied to the pre-AMP (Q451). The amplified signal is passed through the 2-staged BPF (MAIN UNIT: D455, L453, C468 and D456, L454, C473), and applied to the RF AMP (Q481).

The amplified signal is passed through the RX mute (D181 and D182), BPF (D3272, L3271, L3272, C3271 to C3273) and LPF (L3261 to L3263, C3261 to C3267), and then applied to the 1st RX IF circuit.

DIGITAL DEMODULATION CIRCUIT (MAIN UNIT)

The 3rd RX IF signal (and frequency-demodulated signal in the WFM mode) is passed through the TX/RX IF SW (IC5213) and LPF (IC5161), and then applied to the IF AMP (IC5162). The amplified signal is applied to the CODEC (IC5071).

IC5071 is a 24-Bit 192 kHz Stereo Audio CODEC and contains D/A and A/D converters inside.

The applied signal is converted into a digital audio signal by the A/D converter inside, and then applied to the DSP (Analog mode: IC5001 or DV mode: IC5502).

The digital audio signal is demodulated and processed by the DSP, and then applied to the D/A converter in the CODEC (IC5071), to be converted into an analog audio signal.

The analog AF signal is amplified by the active LPF (IC5082), and passed through two LPFs (IC5083A and IC5083B), whose cut-off frequencies are 16 kHz and 3.5 kHz. In the WFM mode, the AF signal is passed through only the 16 kHz LPF (IC5083A).

The filtered signal is applied to the AF output circuit, through the mode SW (IC5151).

AF OUTPUT CIRCUIT (MAIN UNIT)

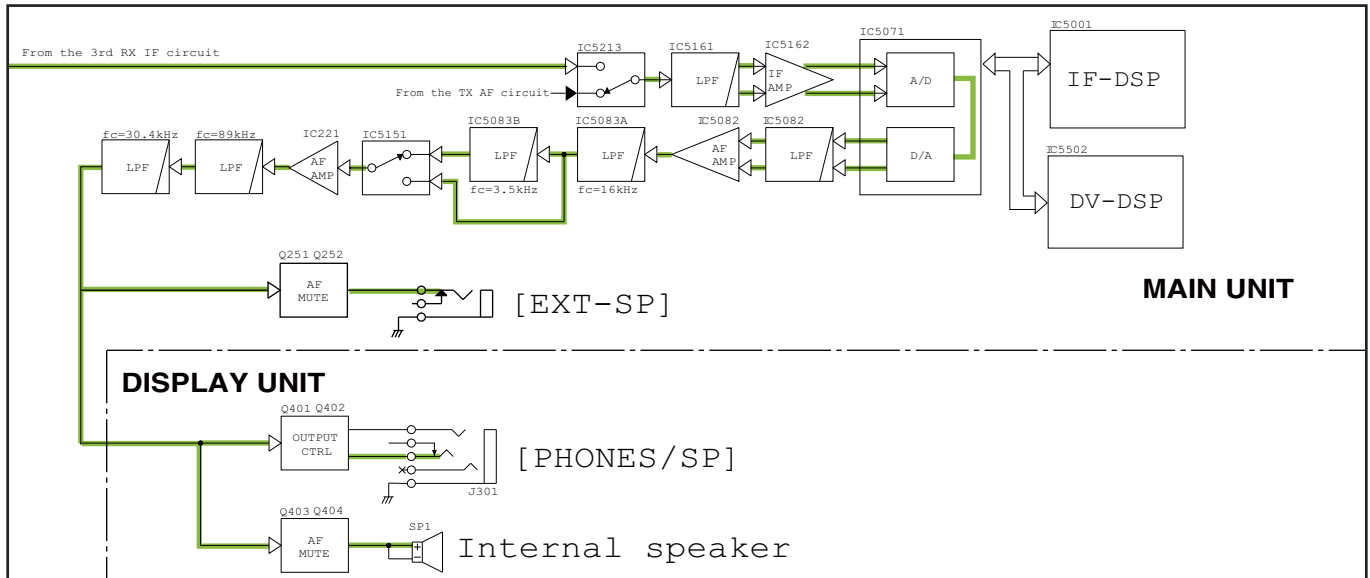
The RX AF signal from the digital demodulation circuit is amplified by the AF AMP (IC221), and passed through two LPFs (L231, R231, C231, C232 and L232, R233, R234, C233 to C235).

The RX AF signal is output to the internal speaker, through the AF mute SW (Q403 and Q404).

The AF signal is output to external speaker or headphones, through the AF output controller (Q401 and Q402), when it is connected to the [PHONES/SP] jack (DISPLAY UNIT: J402),

The AF signal is also output to the external speaker, through the AF mute SW (Q251 and Q252), when it is connected to the [EXT-SP] jack (MAIN UNIT: J191).

• DIGITAL DEMODULATION AND AF OUTPUT CIRCUITS



3-2 TRANSMITTER CIRCUITS

TX AF CIRCUIT (MAIN UNIT)

The audio signal from the microphone (MIC signal) is applied to the MAIN UNIT, through the MICROPHONE CONNECTOR (MIC UNIT: J1), and then amplified by the MIC AMP (IC141). The amplified signal is applied to the AF AMP (IC5163), through the LPF (IC5161).

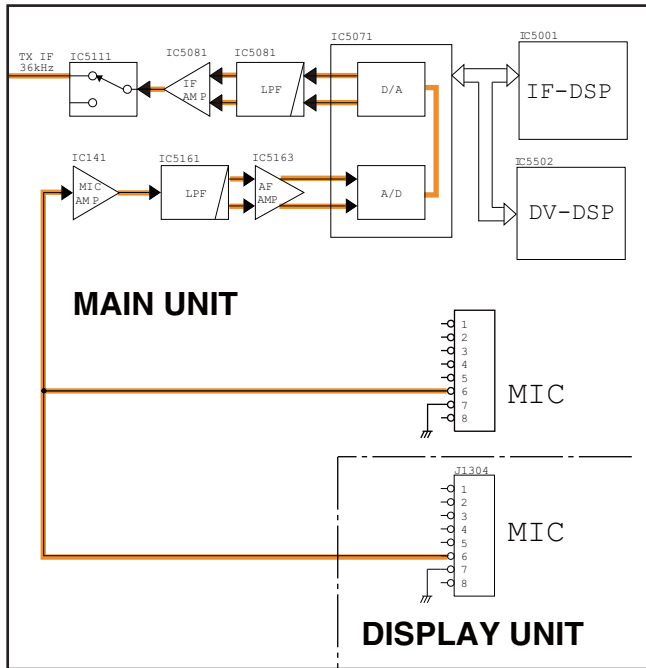
The audio signal from the accessory socket [ACC] on the rear panel, is passed through the MIC line SWs (IC5211 and IC5212), TX/RX AF SW (IC5213) and LPF (IC5161), and then applied to the AF AMP (IC5162).

The amplified signal is applied to the A/D converter (IC5071) and converted into a digital audio signal.

The converted digital audio signal is applied to the DSP (Analog mode: IC5001 or DV mode: IC5502), and demodulated and processed. The demodulated signal is applied to the D/A converter (IC5071), converted into the 36 kHz 3rd TX IF signal, and then amplified by the active LPF (IC5081).

The amplified 3rd TX IF signal is applied to the 3rd TX IF circuit, through the 3rd TX IF SW (IC5111).

• TX AF CIRCUIT



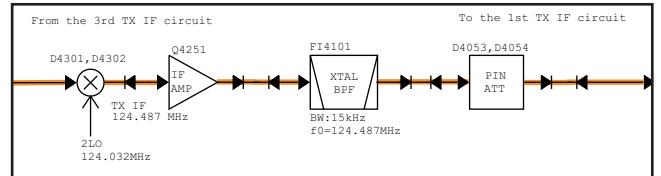
3RD TX IF CIRCUIT (MAIN UNIT)

The 3rd TX IF signal from the modulation circuit is applied to the 3rd TX mixer (IC4502), through the TX/RX 2nd IF SW (IC4501), mixed with the 124.032 MHz 3rd TX LO signal, resulting in the 455 kHz 2nd TX IF signal.

The converted 2nd TX IF signal is applied to the 2nd TX IF AMP (Q4401) through another 2nd IF SW (IC4503). The amplified signal is applied to the 2nd IF filter (FI4351), through the 2nd IF SW (IC4351), to remove unwanted signals.

The filtered 2nd TX IF signal is applied to the 2nd TX IF circuit, through the diplexer (L4304, L4351, L4352, C4302, C4303, C4351).

• 3rd TX IF CIRCUIT



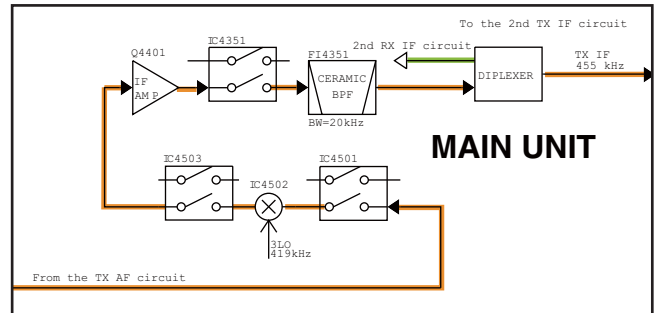
2ND TX IF CIRCUIT (MAIN UNIT)

The 2nd TX IF signal from the 3rd TX IF circuit is applied to the 2nd IF mixer (D4301 and D4302), then mixed with the 124.032 MHz 2nd TX LO signal, resulting in the 124.487 MHz 1st TX IF signal.

The converted 2nd TX IF signal is amplified by the 1st TX IF AMP (Q4251), passed through the 1st IF filter (FI4101) to remove unwanted signals, and then to the variable attenuator (D4053 and D4054) to adjust the signal level.

The level-adjusted 1st TX IF signal is applied to the 1st TX IF circuit.

• 2nd TX IF CIRCUIT



1ST TX IF CIRCUIT (MAIN UNIT)

The 1st TX IF signal from the 2nd TX IF circuit is applied to the 1st TX mixer (D3252 and D3253), then mixed with the 1st TX LO signal, resulting in a signal at the TX frequency.

The converted TX signal is applied to the TX amplifier circuit.

• While operating on the HF, 50 MHz and 70 MHz bands -
The TX signal is passed through the LPF (L3261 to L3263, C3216 to C3267) and one of the BPFs, depending on the operating frequency, to remove unwanted signals.

The filtered signal is applied to the TX power amplifier circuit.

• While operating on the 144 MHz and 430 MHz bands -
The TX signal is passed through the LPF (L3261 to L3263, C3216 to C3267) and BRF (D3272, L3271, L3272, C3271 to C3273).

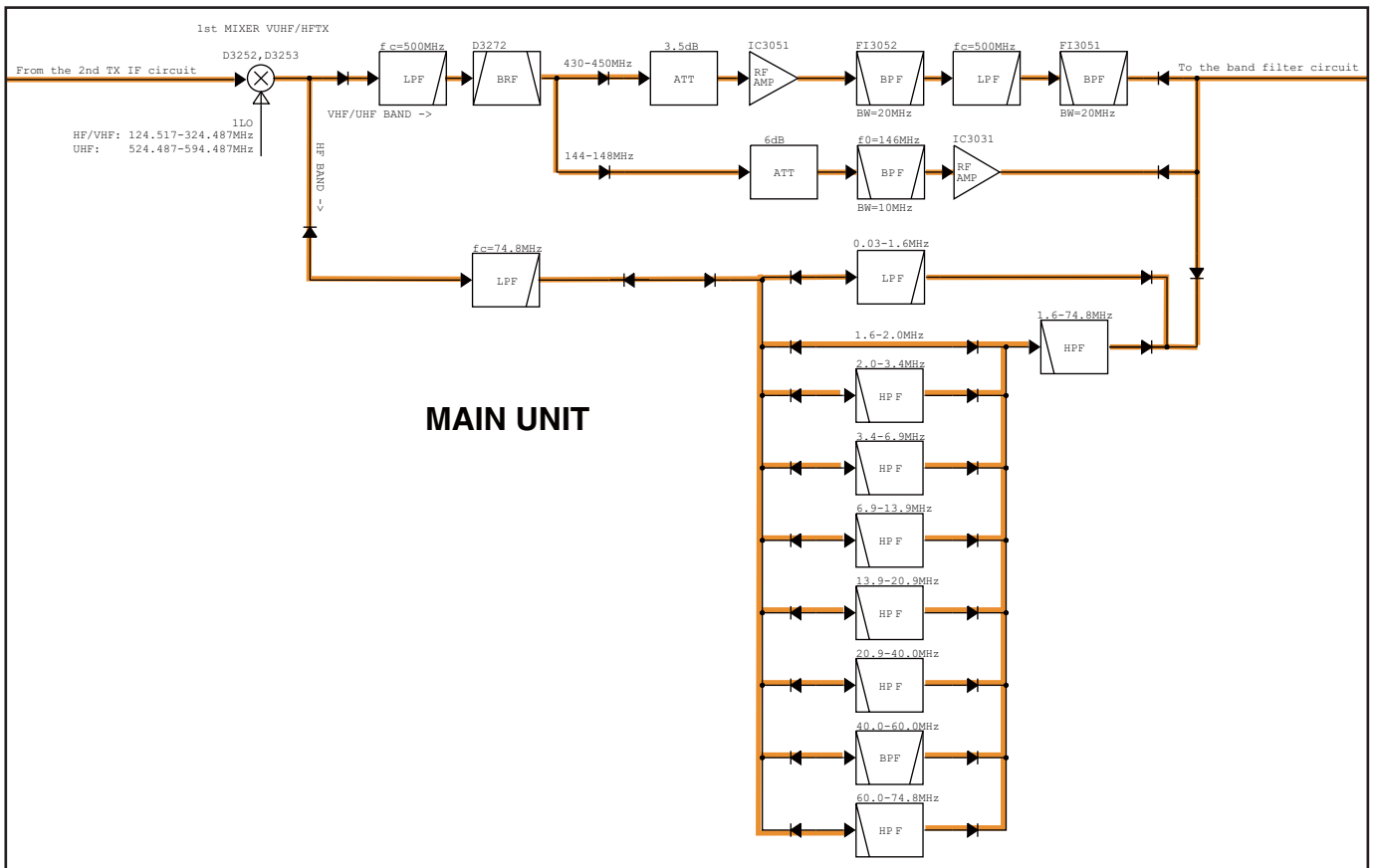
• 144 MHz band signal
The TX signal is passed through the 3 dB attenuator (R3035 to R3037) and 146 MHz BPF (MAIN UNIT: L3032 to L3035, C3036 to C3046), and then amplified by the RF AMP (IC3031).

The amplified signal is applied to the TX power amplifier circuit.

• 430 MHz band signal
The TX signal is passed through the 3.5 dB attenuator (R3052 to R3054), and amplified by the RF AMP (IC3051). The amplified TX signal is sequentially passed through the BPF (FI3052), LPF (L3052, C3053, C3054) and BPF (FI3051).

The filtered signal is applied to the TX power amplifier circuit.

• 1st TX IF CIRCUIT



TX AMPLIFIER CIRCUIT (MAIN AND PA UNITS)

The TX signal from the band filter circuit is applied to the YGR AMP (IC3021), through the 3 dB attenuator (R3022 to R3024).

The amplified signal is passed through the 72 MHz LPF (L3014, C3015 to C3017), or the 124 MHz HPF (L3012, L3013, C3012 to C3014). The filtered signal is passed through two attenuators (3 dB: R3011 to R3013 and 6 dB: R101 to R103), and then sequentially amplified by the RF AMP (Q101), pre-drive AMP (Q102) and drive AMP (Q251).

• While operating on the HF, 50 MHz and 70 MHz bands

The amplified signal is applied to the power AMP (Q301 and Q302), through the diplexer (L411, C413, C513, C514, C515). The amplified signal is passed through the TX/RX SW (RL801) and one of the LPFs, depending on the operating band, to remove harmonic components.

The filtered signal is applied to the antenna connector ([ANT1]: J1) through the power and SWR detect circuit (D961 and D962).

• While operating on the 144 MHz and 430 MHz bands

The amplified signal is applied to the power AMP (Q501), through the diplexer (L203, L204, C214, C216, C262, C266). The amplified signal is passed through another diplexer (L411, C413, C513, C514, C515), which separates the band signal.

- 144 MHz band signal

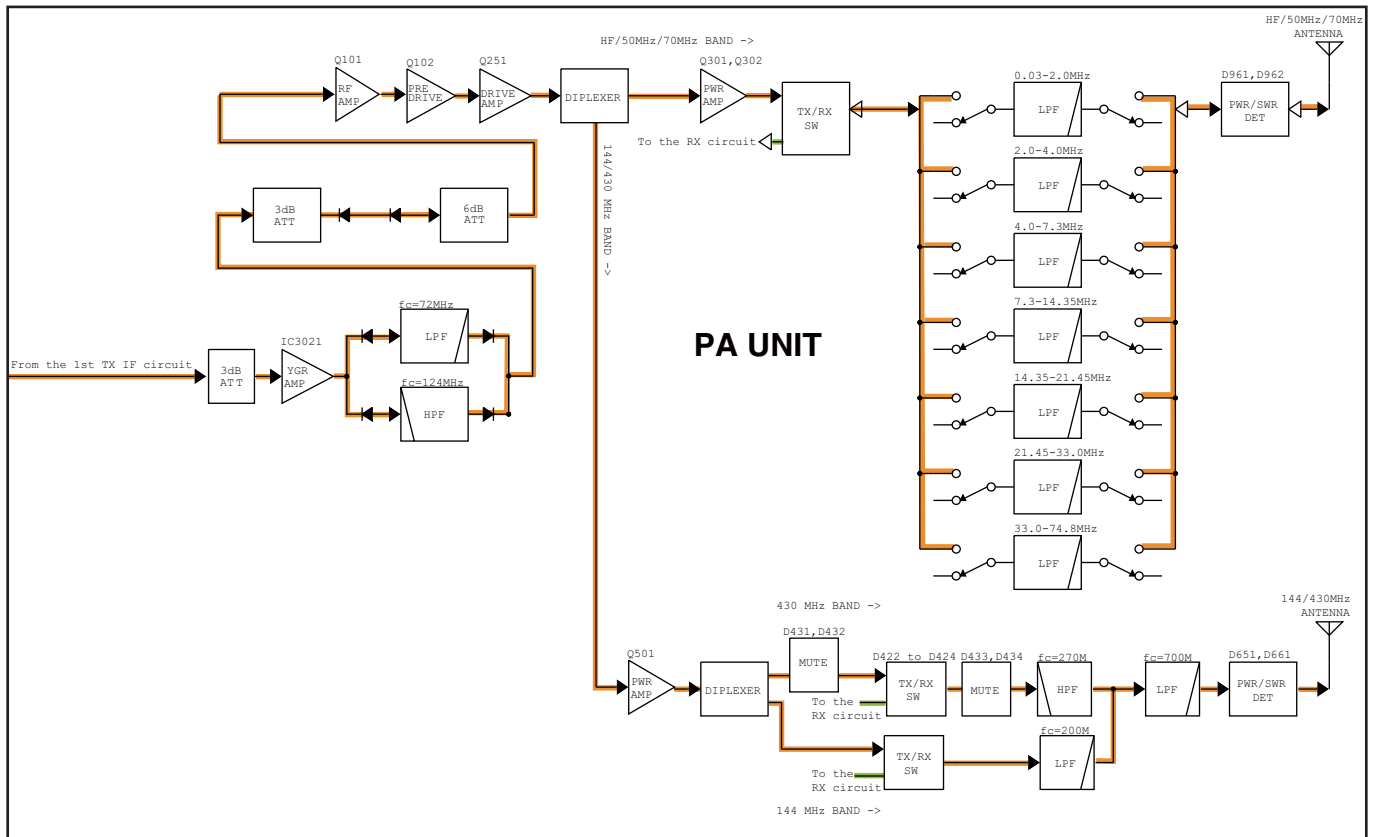
The TX signal is passed through the TX/RX SW (RL531) and LPF (L541 to L543, C542 to C547).

- 430 MHz band signal

The TX signal is sequentially passed through the TX mute SW (D431 and D432), TX/RX SW (D422 to D424), another mute SW (D433 and D434) and HPF (L441, L442, C441 to C444).

The filtered 144 MHz/430 MHz band signal is applied to the antenna connector ([ANT2]: J2), through the LPF (L591 to L593, C591 and C592), which removes harmonic components, and the SWR detect circuit (D651 and D661).

• TX AMPLIFIER CIRCUIT



3-3 LOCAL OSCILLATOR CIRCUITS (MAIN UNIT) REFERENCE FREQUENCY OSCILLATOR CIRCUIT

The crystal oscillator (X2001) generates the 41.344 MHz reference frequency signal. This reference signal is applied to the Local Oscillator (LO) circuits, through the buffer (Q2001 and Q2002), and used as the reference clock signal of DDS (IC2002) or the 2nd LO signal.

3RD TX/RX LO CIRCUIT

The 41.344 MHz reference signal from the crystal oscillator (X2001) is amplified by the buffer (Q2001 and Q2002) and LO AMP (IC2001), and then divided into 1/4 (10.336 MHz) by the divider (IC2003), resulting in the 10.336 MHz reference clock signal. The clock signal is applied to the DDS (IC2002).

Using the applied signal as the reference clock, the DDS (IC2002) directly generates the 491 kHz 3rd TX LO signal.

The 491 kHz 3rd TX LO signal is amplified by the LO AMP (Q2003), and passed through the LPF (L2004 and C2018), and then applied to the 3rd IF mixer (IC4502).

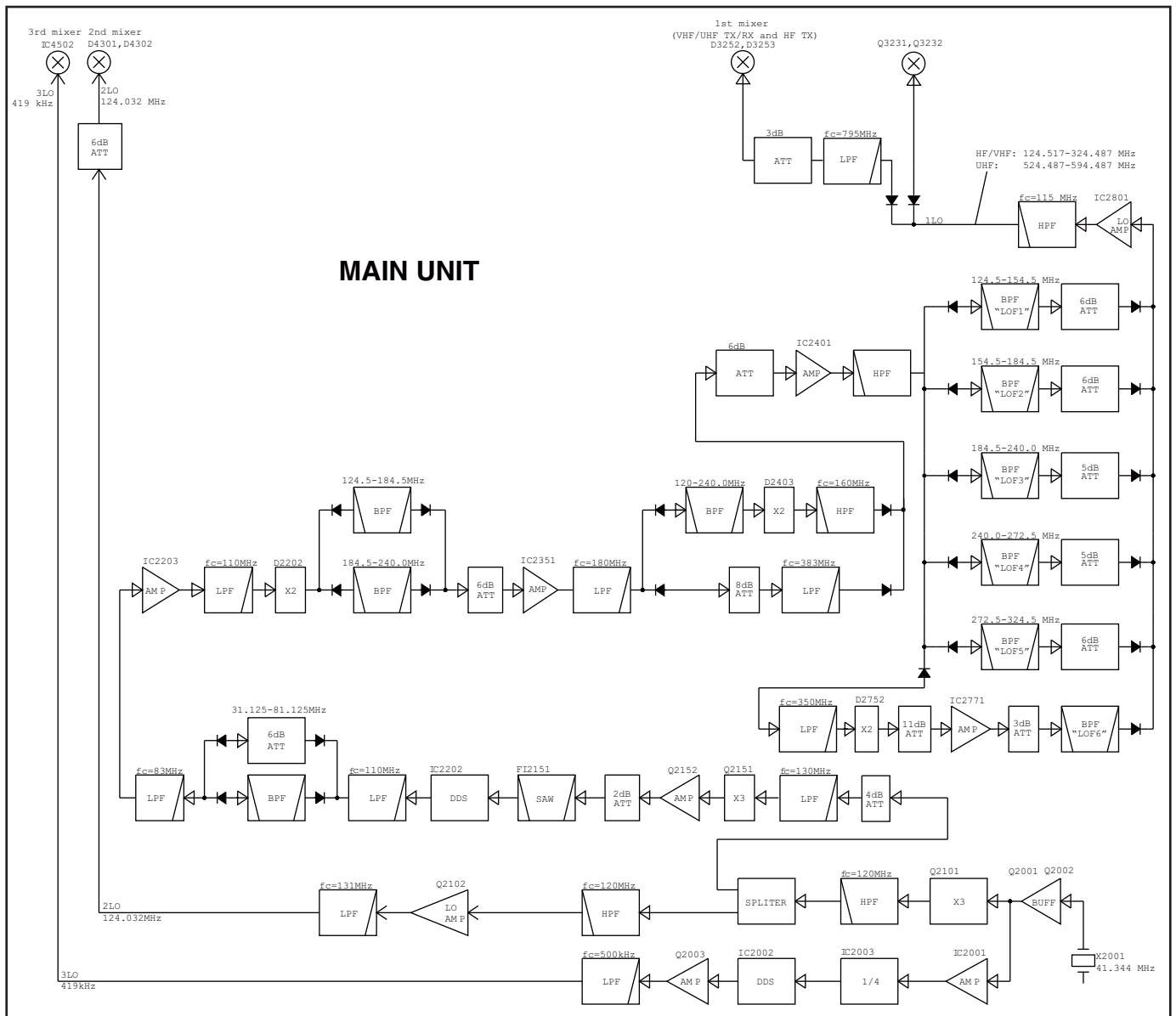
2ND TX/RX LO CIRCUIT

The 41.344 MHz reference signal from the crystal oscillator (X2001) is amplified by the buffer (Q2001 and Q2002), and then applied to the frequency multiplying circuit (Q2101), which extracts the 3rd harmonic component, resulting in the 124.032 MHz 2nd LO signal.

The 124.032 MHz 2nd LO signal is passed through two HPFs (L2103, C2105, C2108 and L2106, C2112, C2114) and splitter (L2104, L2105, C2110 and C2111), and then applied to the LO AMP (Q2102).

The amplified signal is applied to the 2nd IF mixer (D4301 and D4302), through the LPF (L2109, L2110, C2119 to C2123) and 6 dB attenuator (R4302 to R4304).

• LOCAL OSCILLATOR CIRCUITS



1ST RX/TX LO CIRCUIT

The 41.344 MHz reference signal from the crystal oscillator (X2001) is amplified by the buffer (Q2001 and Q2002), and then applied to the frequency multiplying circuit (Q2101), which extracts the 3rd harmonic component, resulting in the 124.032 MHz signal.

The 124.032 MHz signal is passed through two HPFs (L2103, C2105, C2106 and C2108), splitter (L2104, L2105, C2110 and C2111), 4 dB attenuator (R2151 to R2153) and LPF (L2152, C2151 to C2153), and then applied to the frequency multiplying circuit (Q2151), which extracts the 3rd harmonic component, resulting in the 372.096 MHz reference clock signal.

The clock signal is amplified by the clock AMP (Q2152), and passed through the 2 dB attenuator (R2164 to R2166) and SAW filter (FI2151), and then applied to the DDS (IC2202).

Using the 372.096 MHz reference clock signal, the DDS (IC2202) directly generates the 38.62 to 77.24 MHz 1st TX/RX LO signal.

The 1st TX/RX LO signal is passed through the LPF (L2241, L2242, C2241 to C2243) and 6 dB attenuator (R2262 to R2264), and then applied to the LO AMP (IC2203).

When the operating frequency is 400 to 470 MHz, the 1st TX/RX LO signal is passed through the BPF (L2251 to L2253, C2252 to C2254), instead of the 6 dB attenuator (R2262 to R2264).

The amplified signal is passed through the LPF (L2208, L2210, C2228, C2231 and C2233), and applied to the frequency multiplying circuit (D2202 and L2211), which extracts the 2nd harmonic component, resulting in the 77.24 to 162.24 MHz signal. The 1st TX/RX LO signal is then passed through either BPF.

When the operating frequency is 30 to 107.999 MHz, the 1st TX/RX LO signal is filtered by the BPF (L2322 to L2327, C2321 to C2334).

When the operating frequency is 0.03 to 29.999 MHz and 108 to 470 MHz, the 1st TX/RX LO signal is filtered by the BPF (L2303 to L2308, C2302 to C2314).

The filtered signal is passed through the 6 dB attenuator (R2324 to R2326), and then applied to the LO AMP (IC2351).

The amplified signal is passed through the LPF (L2352, C2354 and C2355), and then applied to the frequency multiplying circuit or LPF.

When the operating frequency is 30 to 470 MHz, the 1st TX/RX LO signal is passed through the BPF (L2402, L2403, C2405 to C2411), and applied to the frequency multiplying circuit (D2403 and L2404), which extracts the 2nd harmonic component, resulting in the 154.487 to 324.487 MHz signal.

The 1st TX/RX LO signal is passed through the HPF (L2407, C2416, C2418 and C2419).

When the operating frequency is 29.999 MHz and below, the 1st TX/RX LO signal is passed through the LPF (L2405, C2414, C2415 and C2417).

The filtered signal is passed through the 6 dB attenuator (R2414 to R2416), and applied to the LO AMP (IC2401). The amplified signal is passed through the 360 MHz LPF (L2414, and C2429 and C2430), 120 MHz HPF (L2412, C2425 and C2426) and one on the BPFs, depending on the frequency, to remove unwanted signals. (See the 1ST LO BPF TABLE below.)

When the operating frequency is 30 to 470 MHz, the 1st TX/RX LO signal is passed through the LPF (L2754, C27532 and C2755) and applied to the frequency multiplying circuit (D2752 and L2756), which extracts the 2nd harmonic component, resulting in the to 594.487 MHz signal.

The filtered 1st LO signal is amplified by the LO AMP (IC2801), and passed through the HPF (L2802, C2805 and C2806), and then applied to the 1st IF mixer.

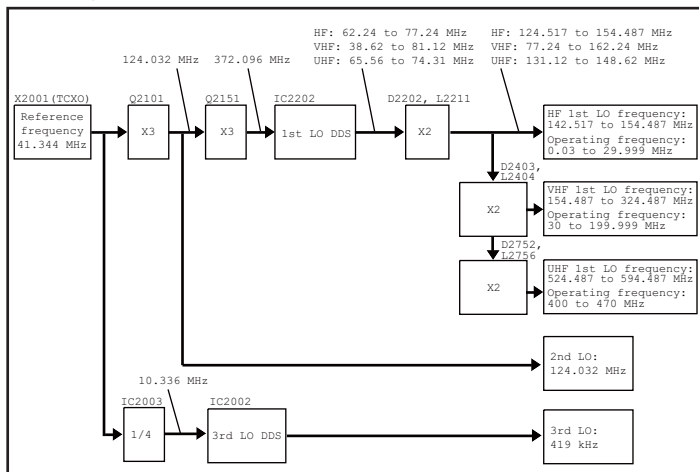
• While receiving on the HF band

The 1st LO signal is applied to the 1st IF mixer (Q3231 and Q3232).

• While operating on the VHF/UHF band or transmitting on the HF band

The 1st LO signal is applied to the 1st IF mixer (D3252 and D3253), through the LPF (L3256, C3244 to C3246) and 3 dB attenuator (R3254 to R3256).

• FREQUENCY CONFIGURATION DIAGRAM



• 1ST LO BPF TABLE

Filter	Operating frequency (MHz)	Filter switches	Components	Control line (Active High)
BLF1	0.03 to 29.999999	D2501 D2502	L2502 to L2506, C2501 to 2511	BLF1
BLF2	30.0 to 59.999999	D2551 D2552	L2552 to L2557, C2551 to C2565	BLF2
BLF3	60.0 to 115.512999	D2601 D2602	L2602 to L2607, C2601 to C2613, C2615	BLF3
BLF4	115.513 to 148.0	D2651 D2652	L2652 to L2657, C2652 to C2665	BLF4
BLF5	148.000001 to 199.999999	D2701 D2702	L2702 to L2707, C2701 to C2714	BLF5
BLF6	400.000000 to 470.000000	D2751 D2753	L2755, L2757 to L2759, L2761	BLF6

3-4 PORT ALLOCATIONS

• MAIN CPU (MAIN UNIT: IC6202)

BALL No.	LINE NAME	DESCRIPTION	I/O
A4	FORL	Forward wave in the TX signal sensing voltage.	I
A5	MUDL	Microphone [UP]/[DN] key input. 1.6 V or higher="OFF" 1.2 to 1.6 V=[DN] 1.2 V or lower=[UP]	I
A6	FMTL	Repeater tone, CTCSS and DTCS signals.	I
A8	FRWT	DSP firmware writing control. High=Write mode.	O
A11	PWRS	Main power line control. High=While the transceiver's power IS ON.	O
A12	RTC_SCL	Real-time clock IC serial clock.	O
B4	THML	TX power AMP temperature sensing voltage.	I
B5	ALCL	ALC level sensing voltage.	I
B7	DRESID	DSP reset. Low=Reset.	O
B9	MDAT	Expander serial data.	O
C2	REFV	Reference frequency adjustment voltage.	O
C4	IDL	TX power AMP/driver AMP current sensing voltage.	I
C5	DPTL	SEND signal from the [DATA1]/[DATA2] jack.	I
C7	WFML	RSSI voltage in the WFM mode.	I
C9	MSTB1	BPF select expander serial strobe.	O
C11	UPWS	USB peripheral devices power supply control. High=A USB device is connected.	O
D1	RTC_IRQ	Real-time clock interrupt request. Real-time clock IC serial clock.	I
D2	UDRXD	USB serial data.	I
D4	VDL	Power supply voltage.	I
D5	REFL	Reflected wave in the TX signal sensing voltage.	I
D8	MCK	Expander serial clock.	O
D9	MSTB2	DDS filter select expander serial strobe.	O
D11	RTC_SDA	Real-time clock IC serial data.	I/O
D15	DSTB	Main expander serial strobe.	O
E4	UDTXD	USB serial data.	O
E13	EDT	EEPROM serial data.	I/O
E14	ECK	EEPROM serial clock.	O
G3	HSK0	DSP handshake data. (1 of 2)	I
G4	HSK1	DSP handshake data. (2 of 2)	I
J4	PDV	Power down detect. Low=Power line is shutting down.	I
K1	USSENI	PTT input through the connected USB device. High=While transmitting.	I
K2	MMDK	Microphone control data.	I
K3	USKI	CW/RTTY input through the connected USB device. Low=While keying in the CW/RTTY.	I
M1	SKYS	Keying input from the connected telegraph key. Low=While keying in the CW/RTTY.	I
M2	LTXD	Front CPU communication data.	O
M5	PLDA	Record/Playback audio data.	O
M7	DPWS	The DSP IC power control. High=While the DSP is used.	O
M9	DSPR	DSP serial data.	O
N1	LRXD	Front CPU communication data.	I
N2	RTKI	RTTY keying input. High=Inputting Space.	I

BALL No.	LINE NAME	DESCRIPTION	I/O
N3	SD_TXD	microSD card serial data.	O
N4	REDA	Record/Playback audio data.	I
N5	CRXD/ CBSY	CI-V data/Bus busy signal.	I
N7	SD_PTC	microSD card write protect mode detect. High=While in the write protect mode.	I
N9	DSPCK	DSP data serial clock.	O
N14	RXS	RX circuit (All bands) control. High=While receiving.	O
P1	SD_CS	microSD card chip select. Low=While the inserted microSD card is busy.	O
P2	SD_SCK	microSD card serial clock.	O
P4	PLCK	Record/Playback audio output control clock.	O
P5	VBUS	USB device connect detect. High=A USB device is connected.	I
P7	ESTA	External antenna tuner START signal. Low=Tuning start.	O
P13	DRXD	Low speed communication data from the connected device.	I
P14	VRXS	VHF band RX circuit control. High=While receiving on the VHF band.	O
R1	SD_RXD	microSD card serial data.	I
R2	RECK	Record/Playback audio input control clock.	O
R4	CTXD	CI-V data.	O
R5	PWRK	[PWR] input. Low=Pushed.	I
R6	HSENI	External SEND signal input. High=Transmitting.	I
R7	SD_SENC	microSD card insertion detect. High=A microSD card is inserted.	I
R8	DSPX	DSP serial data.	I
R9	EKEY	External antenna tuner KEY signal input. Low=While tuning or when the tune is failed.	I
R10	SCRES	Sub CPU reset control. Low=Reset.	O
R14	URXS	UHF band RX circuit control. High=While receiving on the UHF band.	O
R15	HRXS	HF/50 MHz/70 MHz band RX circuit control. High=While receiving on the HF band.	O

• SUB CPU (MAIN UNIT: IC6401)

PIN No.	LINE NAME	DESCRIPTION	I/O
1	ICCV	APC AMP reference voltage.	O
2	FANV	Cooling fan rotation control voltage.	O
15	3DST	3rd LO DDS strobe.	O
16	1CN1	1st Lo DDS control bit. (OSK)	O
17	1CN0	1st Lo DDS control bit. (IOWUPDATE)	O
18	1DST	1st Lo DDS strobe.	O
19	PDAT	DDS serial data.	O
20	PCK	DDS serial clock.	O
21	HTXS	The HF/50 MHz/70 MHz band TX circuit control. High=While transmitting on the HF/50 MHz/70 MHz band.	O
22	VTXS	The VHF band TX circuit control. High=While transmitting on the VHF band.	O
23	UTXS	The UHF band TX circuit control. High=While transmitting on the HF/50 MHz/70 MHz band.	O
24	LOF5	1st LO filter select. High=While operating on 148.000000 to 199.999999 MHz.	O
25	LOF6	1st LO filter select. High=While operating on 400.000000 to 470.000000 MHz.	O
28	LOF4	1st LO filter select. High=While operating on 115.5130000 to 148.000000 MHz.	O
29	LOF3	1st LO filter select. High=While operating on 60.000000 to 115.512999 MHz.	O
30	LOF2	1st LO filter select. High=While operating on 15.000000 to 59.999999 MHz.	O
31	LOF1	1st LO filter select. High=While operating on 0.030000 to 14.999999 MHz.	O
33	TCON	External antenna tuner connection detect. Low=An antenna tuner is connected.	I
34	MMSL	Microphone type detect. Low=HM-151 is connected.	I
36	RSPK	Speaker plug insertion detect. High=A speaker is connected on the rear speaker jack.	I
39	PRESL	DDS reset. Low=Reset.	O
40	DBRS	1st LO filter select. High=While operating on 30.000000 to 470.000000MHz.	O
44	DLF1	DDS filter switching control. High=While operating on 30.000000 to 107.999999 MHz.	O
47	DLF2	DDS filter switching control. High=While operating on 0.030000 to 29.999999 MHz, 108.000000 to 199.999999 MHz or 400.000000 to 470.000000 MHz	O
51	DLF3	DDS filter switching control. High=While operating on 0.030000 to 199.999999 MHz.	O
54	TXS	TX circuit (All bands) control. High=While transmitting.	O

• D/A CONVERTER (MAIN UNIT: IC7006)

PIN No.	LINE NAME	DESCRIPTION	I/O
2	VUID1V	VHF/UHF band TX power AMP idling current control.	O
3	DIDV	TX drive AMP idling current control.	O
4	VUT1V	VHF/UHF band BPF tuning voltage. (1 of 2)	O
5	VUT2V	VHF/UHF band BPF tuning voltage. (2 of 2)	O
6	VTRV	VHF band 1st IF trap circuit tuning voltage.	O
7	BANV	Operating band selecting voltage.	O
8	POCV	TX output power control voltage.	O
9	DRIV	TX drive AMP gain control voltage.	O
12	IFT1V	1st IF filter tuning voltage. (1 of 2)	O
13	IFT2V	1st IF filter tuning voltage. (2 of 2)	O
18	HFID1V	HF/50 MHz/70 MHz band TX power AMP idling current control. (1 of 2)	O
19	HFID2V	HF/50 MHz/70 MHz band TX power AMP idling current control. (2 of 2)	O

• EXPANDER (MAIN UNIT: IC7001)

PIN No.	LINE NAME	DESCRIPTION	I/O
1	UPRES	UHF band pre-AMP control. Low=The Pre-AMP is ON.	O
2	VUATTS	144/430 MHz band attenuator control. High=Attenuator ON.	O
3	VBANDS	VHF band tuned BPFs switching. High=While operating on the VHF band (74.800000 to 128.999999 MHz).	O
4	FMS	Operating mode select. High=While operating in the FM or DV mode.	O
5	NASBS	Operating mode select. High=While operating in the mode other than SSB or AM.	O
6	AMS	AM mode select. High=While operating in the AM mode	O
7	WFMS	WFM mode select. High=While operating in the WFM mode	O
15	VPRES	VHF band pre-AMP control. Low=The Pre-AMP is ON.	O

• EXPANDER (MAIN UNIT: IC7002)

PIN No.	LINE NAME	DESCRIPTION	I/O
1	B1	HF/50 MHz/70 MHz band select. High= While operating on 1.600000 to 1.999999 MHz	O
2	B2	HF/50 MHz/70 MHz band select. High= While operating on 2.000000 to 3.399999 MHz	O
3	B3	HF/50 MHz/70 MHz band select. High= While operating on 3.400000 to 6.899999 MHz	O
4	B4	HF/50 MHz/70 MHz band select. High=While operating on 6.900000 to 13.899999 MHz	O
5	B5	HF/50 MHz/70 MHz band select. High=While operating on 13.900000 to 20.899999 MHz	O
6	B6	HF/50 MHz/70 MHz band select. High=While operating on 20.900000 to 39.999999 MHz	O
7	B7	HF/50 MHz/70 MHz band select. High=While operating on 40.000000 to 59.999999 MHz	O
15	B0	HF/50 MHz/70 MHz band BPFs switching. High=While operating on 0.030000 to 1.599999 MHz	O

• EXPANDER (MAIN UNIT: IC7003)

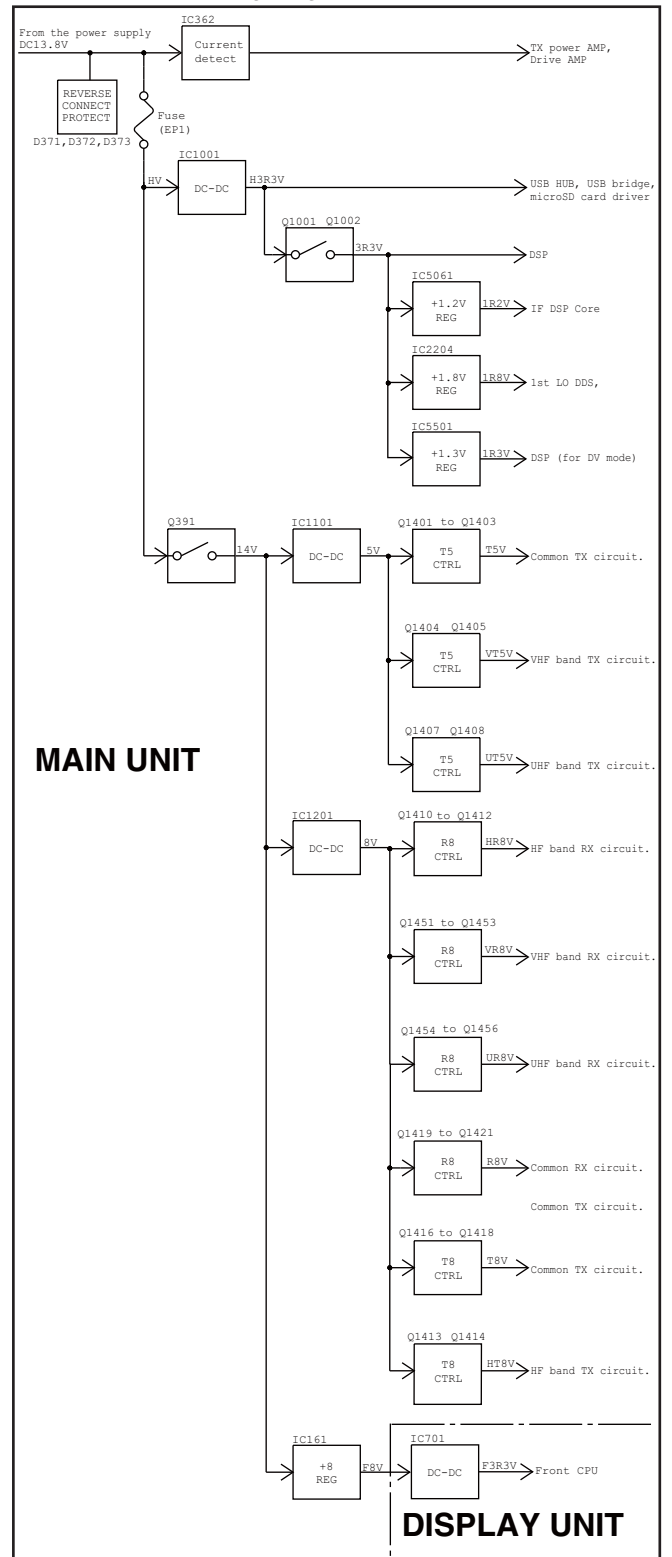
PIN No.	LINE NAME	DESCRIPTION	I/O
1	VTRS	VHF band 1st IF trap circuit switching. High=While operating on 108.000000 to 143.999999 MHz.	O
3	HPR2S	HF/50 MHz/70 MHz band pre-AMP 2 control. High=The Pre-AMP is ON.	O
4	HPR1S	HF/50 MHz/70 MHz band pre-AMP 1 control. Low=The Pre-AMP is ON.	O
6	HATTS	HF/50 MHz/70 MHz band attenuator control. Low=The attenuator is ON.	O
15	B8	HF/50 MHz/70 MHz band select. High=While operating on 60.000000 to 74.799999 MHz.	O

• EXPANDER (MAIN UNIT: IC7004)

PIN No.	LINE NAME	DESCRIPTION	I/O
1	RSPS	Rear speaker mute control. Low=External speaker output (Rear) is mute.	O
4	ASQLS	Squelch signal to the [ACC] and [DATA] connectors. High=While the squelch is open.	O
7	UMODS	Modulation signal select. High= USB audio signal is selected.	O
15	AFONS	AF output mute control. Low=The AF output is mute.	O

3-5 VOLTAGE DIAGRAM

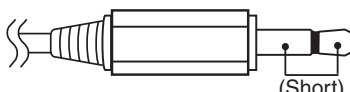
Voltage from the power supply is routed throughout the transceiver, through regulators and switches.



SECTION 4 ADJUSTMENT PROCEDURE

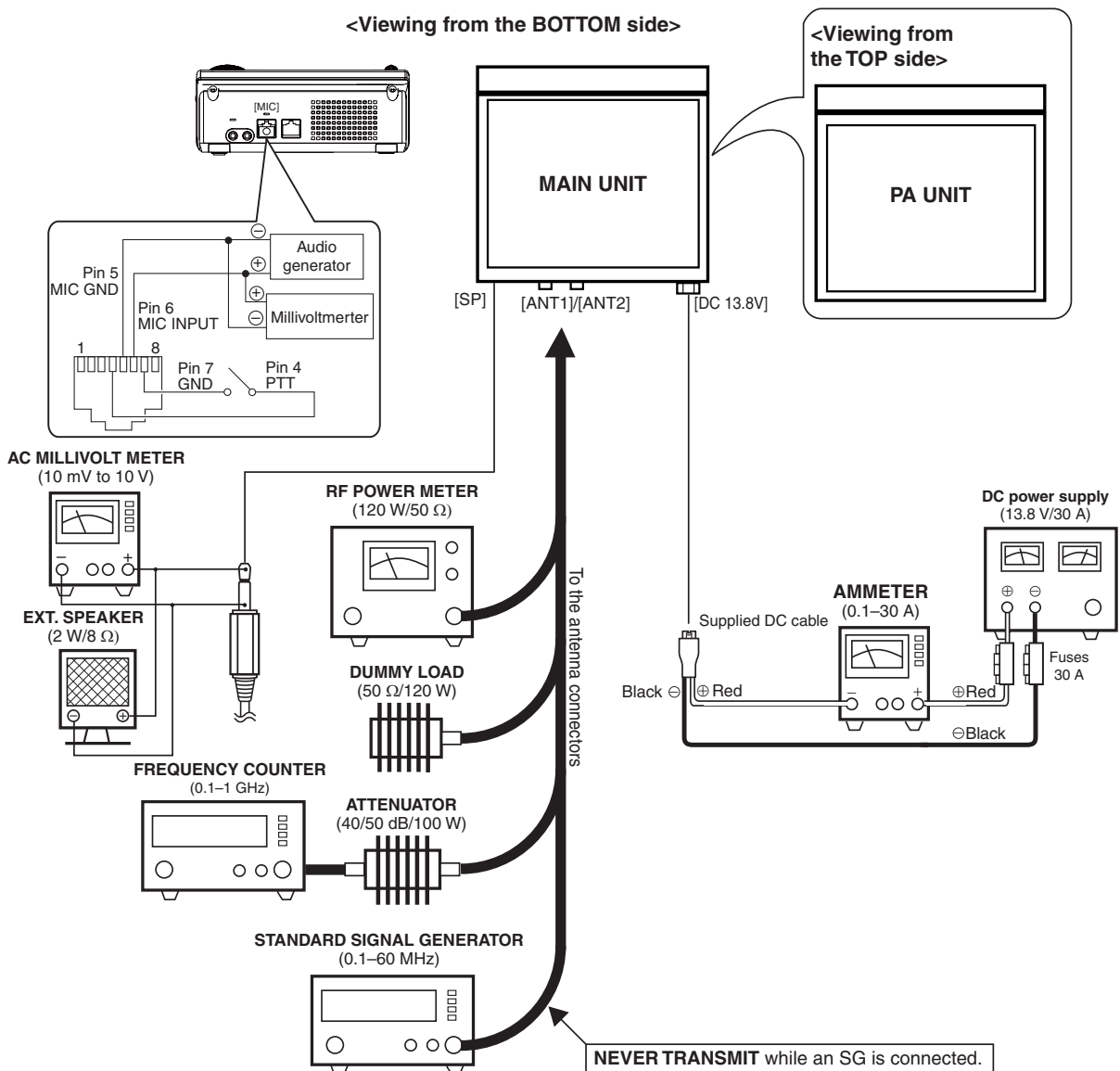
4-1 PREPARATION

REQUIRED EQUIPMENTS

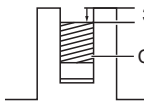
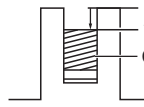
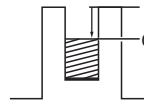
EQUIPMENT	GRADE AND RANGE	EQUIPMENT	GRADE AND RANGE
Short plug	Modified 3.5 mm (1/8") monoral plug  (Short)	Audio generator (AG)	Frequency range : 300–3000 Hz Output level : 1–500 mV Output signal : sine wave
RF voltmeter (50 Ω terminated)	Measuring range : 20–200 mV Frequency range : 0.1–600 MHz	AC Millivoltmeter	Measuring range : 10 mV to 10 V
RF power meter (50 Ω terminated)	Measuring range : 5–120 W Frequency range : 0.1–600 MHz SWR : Less than 1.2 : 1	Multimeter	Measuring range : 0–10 V (Voltage) 1–30 A (Current)
Frequency counter	Frequency range : 0.1–600 MHz Frequency accuracy : ±1 ppm or better Input level : Less than 1 mW	External speaker	Input impedance : 8 Ω Capacity : More than 2 W
Standard signal generator (SSG)	Frequency range : 0.1–600 MHz Output level : 0.1 mV to 32 mV (–127 to –17 dBm)	Spectrum Analyzer	Frequency range : At least 90 MHz Bandwidth : 100 kHz
		Dummy Loads	Impedance : 50 Ω and 100 Ω/120 W

CAUTION!: SAVE the originally programmed contents (Memory channel contents, set mode settings, etc.), before starting adjustment. When all adjustments are completed, these contents in the transceiver may be cleared.

GENERAL CONNECTION AND UNIT LOCATION

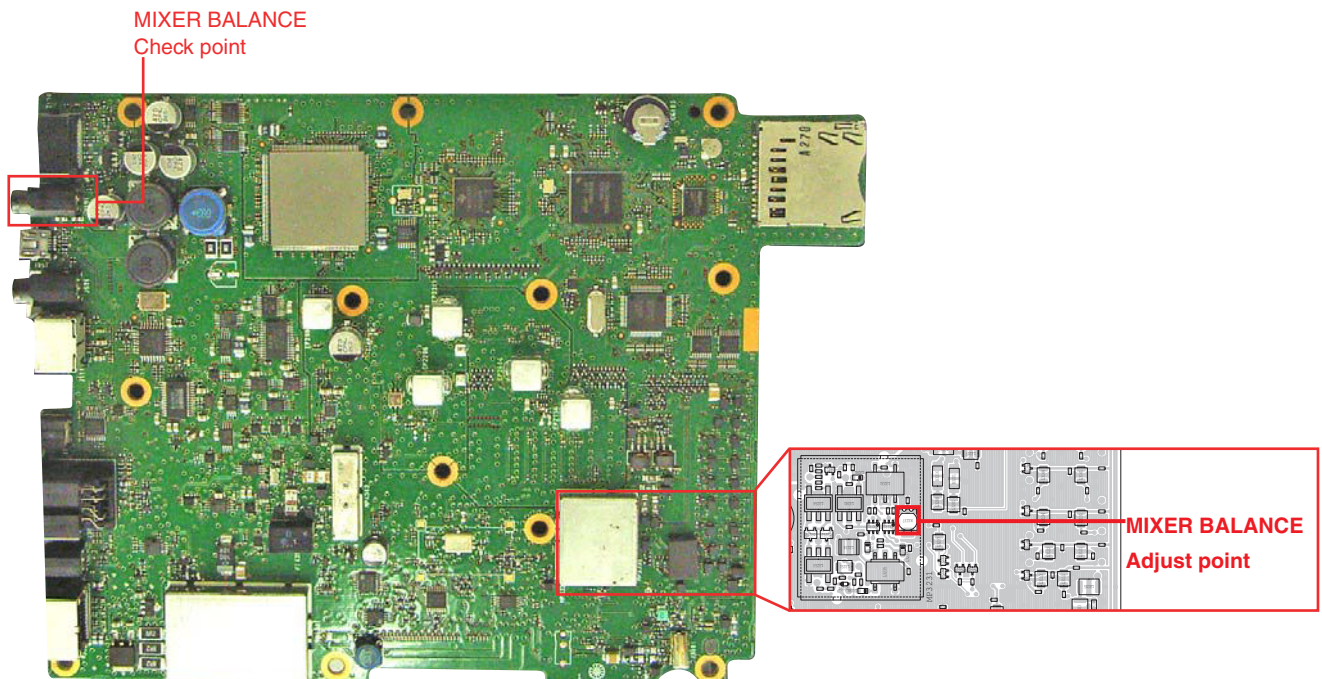


4-2 ADJUSTMENT ON THE MAIN UNIT

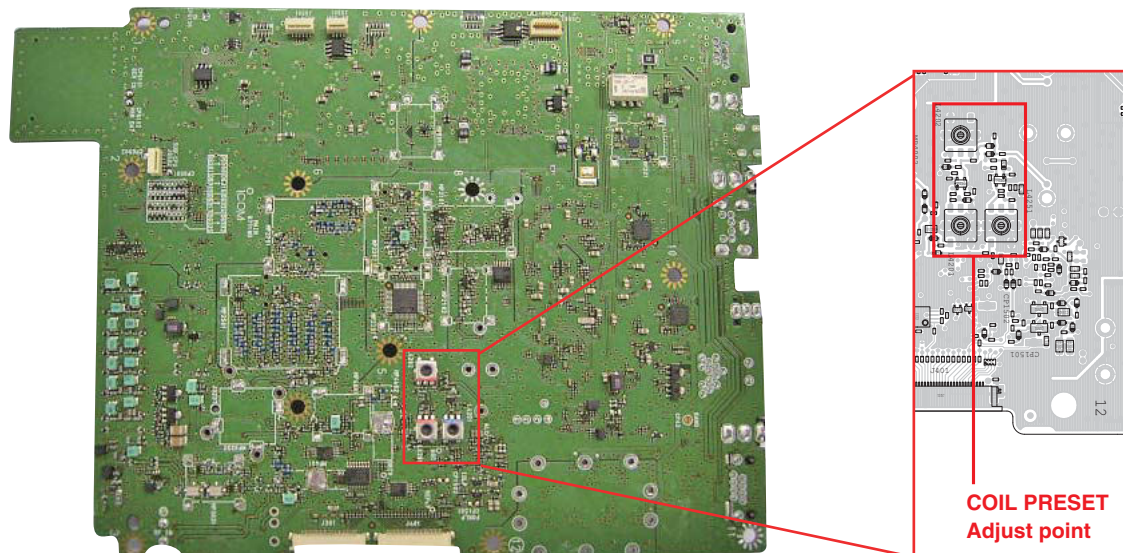
ADJUSTMENT ITEM	TRANSCIVER'S CONDITION	OPERATION	CHECK POINT	ADJUST POINT	VALUE
COIL PRESET	• Receive	• Set the coils as follows.	-	L4201	 <p>3 rotations Core</p>
				L4202	 <p>2.5 rotations Core</p>
				L4251	 <p>Core's Bottom</p>
MIXER BALANCE	<ul style="list-style-type: none"> • Frequency : 1.821 MHz • Mode : LSB • PREAMP : OFF • Receive 	<ol style="list-style-type: none"> 1) Connect the millivoltmeter to [SP]. 2) Adjust the noise level. 	[SP]	R3237	Minimum noise level

• THE LOCATION OF ADJUST/CHECK POINTS ON THE MAIN UNIT

<TOP VIEW>



<BOTTOM VIEW>

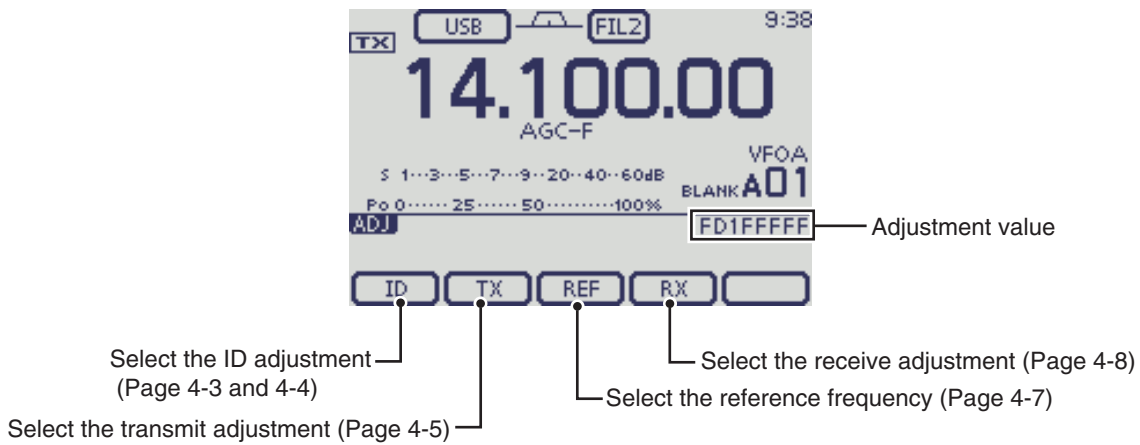


4-3 ADJUSTMENTS IN THE ADJUSTMENT MODE

■ ENTERING THE ADJUSTMENT MODE

- 1) Connect the short plug (Page 4-1) to [REMOTE], and while holding down [MIC/RF PWR] and [SPEED/PITCH], turn ON the power to enter the Adjustment mode.
- 2) The main adjustment menu appears.

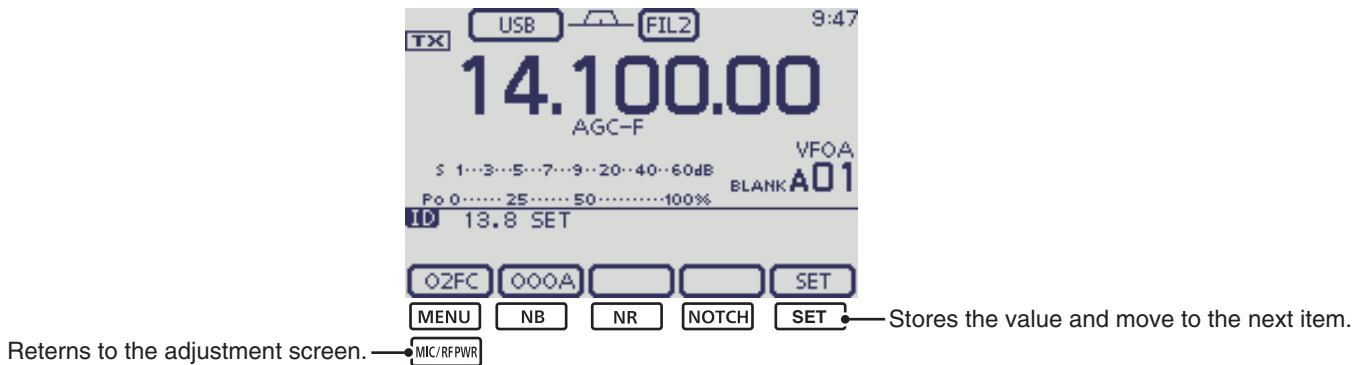
■ MAIN ADJUSTMENT MENU SCREEN



■ QUITTING THE ADJUSTMENT MODE

- 1) Remove the short plug from [REMOTE], and then turn OFF the power.
- 2) Turn ON the power again.

4-4 ID ADJUSTMENTS



- 1) Set or modify the adjustment value as specified by rotating [MAIN DIAL].
- 2) Push [SET] to store the value.

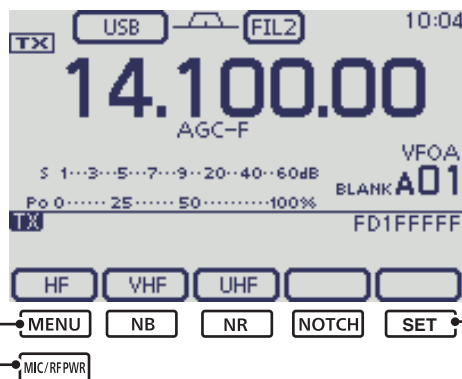
ADJUSTMENT ITEM	TRANSCEIVER'S CONDITION	OPERATION	ADJUST POINT	VALUE
ID REFERENCE VOLTAGE LOAD	1	• Display: "13.8 SET" • Power supply voltage: 13.8 V	-	Push [SET]. (A beep sounds, and then another beeps sound 0.5 sec. later. Then the next adjustment item is selected.)
	2	• Display: "ID HF+1.0A"		Push [SET]. (The next adjustment item is selected.)
3	• Display: "ID V/UHF+1.0A"			
4	• Display: "DID +0.7A"			

4-4 ID ADJUSTMENTS (continued)

- 1) Set or modify the adjustment value as specified by rotating [MAIN DIAL].
- 2) Push [SET] to store the value.

ADJUSTMENT ITEM	TRANSCIEVER'S CONDITION	OPERATION	ADJUST POINT	VALUE
ID ADJUSTMENT	1 • Display: "ID SET HF"	• Connect the 50 Ω dummy load to [ANT1]. • Push [SET]. (Automatically starts to transmit.)	-	Push [SET].
	2 • Display: "HFID1V"			Push [SET] again. (A beep sounds, and then beeps sound 3 sec. later. Then next adjustment item is selected.)
	3 • Display: "HFID2V" • Transmit continues	-		Push [SET]. (A beep sounds, transmission stops, and then beeps sound 3 sec. later. Then next adjustment item is selected.)
	4 • Display: "DID SET"	Push [SET]. (Then the next adjustment item is selected, and automatically starts to transmit.)		
	5 • Display: "DIDV"	Push [SET]. (A beep sounds, transmission stops, and then beeps sound 3 sec. later. Then next adjustment item is selected.)		
	6 • Display: "ID SET V/UHF"	Push [SET]. (Then the next adjustment item is selected, and automatically starts to transmit.)		
	7 • Display: "VUIDV"	Push [SET]. (A beep sounds, transmission stops, and then beeps sound 3 sec. later.)		
ID-APC OPERATING POINT ADJUSTMENT	1 • Display: "ID-APC HF"			-
Push [MIC/RF PWR] to return to the main adjustment menu.				
VD ADJUSTMENT	Push [NR] to enter the REF adjustment menu.			
VD-APC ADJUSTMENT	1 -	• Connect the 50 Ω dummy load to [ANT1].	-	Push [NB].
	2 • Display: "VD-APC"			Push [SET].
	3 • Display: "VD-APC START 11.8V"			11.9 V Push [SET].
	4 • Display: "VD-APC 75% 11.0V"			11.1 V Push [SET].
The REF adjustment menu is displayed. Push [MIC/RF PWR] to return to the main adjustment menu.				

4-5 TRANSMIT ADJUSTMENTS (HF/50 MHz/70 MHz BANDS)



Starts the transmit adjustment. — **MENU** **SET** — Stores the value and move to the next item.

Returns to the adjustment screen. — **MIC/RFPWR**

- 1) Set or modify the adjustment value as specified by rotating [MAIN DIAL].
- 2) Push [SET] to store the value.

ADJUSTMENT ITEM	TRANSCIVER'S CONDITION	OPERATION	ADJUST POINT	VALUE
PREPARATION	—	<ul style="list-style-type: none"> • Connect the AG and millivoltmeter to [MIC], and then set it as; Frequency : 1.5 kHz Level : 30 mVrms • Connect a power meter to [ANT1]. 	—	Push [NB].
[HF/50/70M BAND] TX TOTAL GAIN ADJUSTMENT	Push [MENU] to enter the Transmit adjustment menu.			
1	• Display: "Total Gain HF"	—	—	Push [SET]. (Automatically starts to transmit.)
2	• Display: "Total Gain HF2"	—	[MAIN DIAL]	50 W Push [SET]*.
3	• Display: "Total Gain HF1"	—	—	Push [SET]. (Automatically starts to transmit. A beep sounds, and then another beeps sound 3 sec. later.*)
4	• Display: "Total Gain HF3"	—	—	Push [SET]. (Automatically starts to transmit. A beep sounds, and then another beeps sound 3 sec. later)
5	• Display: "Total Gain 50M" • Transmit continues	—	[MAIN DIAL]	50 W Push [SET].
6	• Display: "Total Gain 70M" • Transmit continues	—	—	25 W Push [SET]*.
TX POWER & POWER METER SETTING	1	• Display: "POWER HF"	—	—
	2	• Display: "POWER HF Min" • Transmit continues	—	—
	3	• Display: "POWER HF 10%" • Transmit continues	[MAIN DIAL]	2 W Push [SET].
	4	• Display: "POWER HF Tuner" • Transmit continues	—	10 W Push [SET].
	5	• Display: "POWER HF 50%" • Transmit continues	—	10 W Push [SET].
	6	• Display: "POWER HF 100%" • Transmit continues	—	50 W Push [SET].
			—	105 W Push [SET]*.

*: Stop transmitting.

4-5 TRANSMIT ADJUSTMENTS (HF/50 MHz/70 MHz BANDS) (continued)

- 1) Set or modify the adjustment value as specified by rotating [MAIN DIAL].
- 2) Push [SET] to store the value.

ADJUSTMENT ITEM	TRANSCEIVER'S CONDITION	OPERATION	ADJUST POINT	VALUE
AM CARRIER POWER RATIO	1 • Display: "POWER AM Ratio HF" • Receive	• Push [SET]. (Automatically starts to transmit.)	[MAIN DIAL]	30 W Push [SET]*.
TX POWER & POWER METER SETTING (50 M)	1 • Display: "POWER 50M"	–	–	Push [SET]. (Automatically starts to transmit.)
	2 • Display: "POWER 50M Min" • Transmit continues		[MAIN DIAL]	2 W Push [SET].
	3 • Display: "POWER 50M 10%" • Transmit continues			10 W Push [SET].
	4 • Display: "POWER 50M Tuner" • Transmit continues			10 W Push [SET].
	5 • Display: "POWER 50M 50%" • Transmit continues			50 W Push [SET].
	6 • Display: "POWER 50M 100%" • Transmit continues			100 W Push [SET]*.
AM CARRIER POWER RATIO (At 50 MHz)	1 • Display: "POWER AM Ratio 50M" • Receive	• Push [SET]. (Automatically starts to transmit.)		30 W Push [SET]*.
TX POWER & POWER METER SETTING (At 70 MHz)	1 • Display: "POWER 70M" • Receive	–	–	Push [SET]. (Automatically starts to transmit.)
	2 • Display: "POWER 70M Min" • Transmit continues		[MAIN DIAL]	2 W Push [SET].
	3 • Display: "POWER 70M 10%" • Transmit continues			5 W Push [SET].
	4 • Display: "POWER 70M Tuner" • Transmit continues			10 W Push [SET].
	5 • Display: "POWER 70M 50%" • Transmit continues			25 W Push [SET].
	6 • Display: "POWER 70M 100%" • Transmit continues			50 W Push [SET]*.
AM CARRIER POWER RATIO (At 70 MHz)	1 • Display: "POWER AM Ratio 70M"	• Push [SET]. (Automatically starts to transmit.)		15 W Push [SET]*.
ID APC (Verify)	1 • Display: "ID-APC CHECK"	–	–	Push [SET]. (Automatically starts to transmit. A beep sounds, and then another beeps sound 3 sec. later.*)
ALC METER	1 • Display: "ALC HF"			
	2 • Display: "ALC 70M"			
DRIVE GAIN	1 • Display: "DRIVE HF/50M"			
	2 • Display: "DRIVE HF/70M"			
SWR METER	1 • Display: "SWR HF/50M"	• Connect the 100 Ω dummy load to [ANT1].		
	2 • Display: "SWR 70M"			
The Transmit adjustment menu is displayed.				

*; Stop transmitting.

4-6 TRANSMIT ADJUSTMENTS (VHF BAND)

- 1) Set or modify the adjustment value as specified by rotating [MAIN DIAL].
- 2) Push [SET] to store the value.

ADJUSTMENT ITEM	TRANSCEIVER'S CONDITION	OPERATION	ADJUST POINT	VALUE
PREPARATION	1	–	–	Push [NB].
		• Connect the AG and millivoltmeter to [MIC], and then set it as; Frequency : 1.5 kHz Level : 30 mVrms • Connect the power meter to [ANT2].		
	Push [NB] to enter the Transmit menu.			
TX TOTAL GAIN ADJUSTMENT (VHF BAND)	2	• Display: "Total Gain VHF"	• Push [SET]. (Automatically starts to transmit.)	[MAIN DIAL] 25 W Push [SET]*.
TX POWER & POWER METER SETTING (VHF BAND)	3	• Display: "POWER VHF"	–	– Push [SET]. (Automatically starts to transmit.)
	4	• Display: "POWER VHF Min"		[MAIN DIAL] 2 W Push [SET].
	5	• Display: "POWER VHF 10%" • Transmit continues		5 W Push [SET].
	6	• Display: "POWER VHF 50%" • Transmit continues		25 W Push [SET].
	7	• Display: "POWER VHF 100%" • Transmit continues		50 W Push [SET]*.
ALC METER (VHF BAND)	8	• Display: "ALC VHF"		– Push [SET]. (Automatically starts to transmit.)
DRIVE GAIN (VHF BAND)	9	• Display: "DRIVE VHF"		A beep sounds, and then another beeps sound 3 sec. later.*)
SWR METER (VHF BAND)	10	• Display: "SWR VHF"	• Connect the 100 Ω dummy load to [ANT2].	
	The Transmit adjustment menu is displayed.			

*: Stop transmitting.

4-7 TRANSMIT ADJUSTMENTS (UHF BAND)

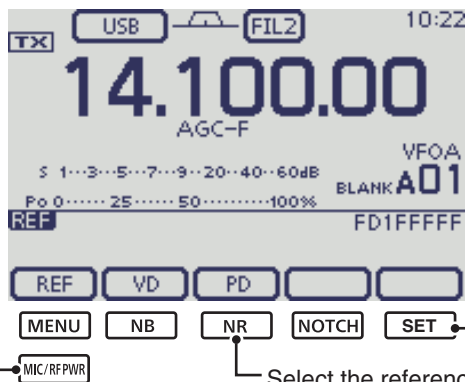
- 1) Set or modify the adjustment value as specified by rotating [MAIN DIAL].
- 2) Push [SET] to store the value.

ADJUSTMENT ITEM	TRANSCEIVER'S CONDITION	OPERATION	ADJUST POINT	VALUE
PREPARATION	1	–	–	Push [NB].
		• Connect the AG and millivoltmeter to [MIC], and then set it as; Frequency : 1.5 kHz Level : 30 mVrms • Connect a power meter to [ANT2].		
	Push [NR] to enter the Transmit menu.			
TX TOTAL GAIN ADJUSTMENT [UHF BAND]	2	• Display: "Total Gain UHF"	• Push [SET]. (Automatically starts to transmit.)	[MAIN DIAL] 17.5 W Push [SET]*.
TX POWER & POWER METER SETTING	3	• Display: "POWER UHF"	–	– Push [SET]. (Automatically starts to transmit.)
	4	• Display: "POWER UHF Min" • Transmit continues		[MAIN DIAL] 2 W Push [SET].
	5	• Display: "POWER UHF 10%" • Transmit continues		3.5 W Push [SET].
	6	• Display: "POWER UHF 50%" • Transmit continues		17.5 W Push [SET].
	7	• Display: "POWER UHF 100%" • Transmit continues		35 W Push [SET]*.
ALC METER	8	• Display: "ALC UHF"		– Push [SET]. (Automatically starts to transmit.)
DRIVE GAIN	9	• Display: "DRIVE UHF"		A beep sounds, and then another beeps sound 3 sec. later.*)
SWR METER	10	• Display: "SWR UHF"	• Connect the 100 Ω dummy load to [ANT2].	
	The transmit adjustment menu is displayed. Push [MIC/RF PWR] to return to the main adjustment menu.			

*: Stop transmitting.

4-8 REFERENCE FREQUENCY ADJUSTMENT

• REFERENCE FREQUENCY ADJUSTMENT MENU



Reterns to the adjustment screen. — MIC/RF PWR

— NR — Select the reference frequency adjustment.

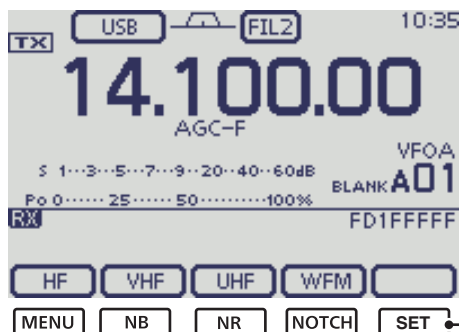
— SET — Stores the value and move to the next item.

- 1) Set or modify the adjustment value as specified by rotating [MAIN DIAL].
- 2) Push [SET] to store the value.

ADJUSTMENT ITEM		TRANSCIEVER'S CONDITION	OPERATION	ADJUST POINT	VALUE	
REFERENCE FREQUENCY	1	—	• Connect the frequency counter to [ANT2], through a 40 dB to 50 dB attenuator.	—	Push [NR].	
	Push [MENU] REF adjustment menu.					
	2	• Display: "REF OSC" • TX power: 50%	• Push [SET]. (Automatically starts to transmit.)	[MAIN DIAL]	440.000000 MHz (±30 Hz) Push [SET]*.	
Automatically returns to the reference adjustment menu. Push [MIC/RF PWR] to return to the main adjustment menu.						

*: Stop transmitting.

4-9 RECEIVE ADJUSTMENTS (HF BAND)



Returns to the adjustment screen. — **MIC/RF PWR**

- 1) Set or modify the adjustment value as specified by rotating [MAIN DIAL].
- 2) Push [SET] to store the value.

ADJUSTMENT ITEM	TRANSCEIVER'S CONDITION	OPERATION	ADJUST POINT	VALUE
PREPARATION	1 • Frequency: 14.1515 MHz • Receive	1) Connect the SSG to [ANT1], and then set it as; Frequency : 14.1515 MHz Level : +34 dB μ (-73 dBm) Modulation: None 2) Connect the millivoltmeter and a speaker to [EXT-SP]. 3) Push [MENU].	—	Push [NOTCH]. (To enter to the receive adjustment menu.)
	Push [MENU] to enter the Receive adjustment menu.			
RX-IFT	2 • Display: "RX-IFT" • Receive		—	Push [SET]. (A beep sounds, and then another beeps sound 5 sec. later)
RX TOTAL GAIN	3 • Display: "Total Gain HF POFF" • Receive	—	—	Push [SET]. (A beep sounds, and then another beeps sound 20 to 30 sec. later)
	4 • Display: "Total Gain HF PON" • Receive			
S-METER	NOTE: DO NOT change the SSG output level until the beep sounds.			
	5 • Display: "S9 Level HF" • Receive	—	—	Push [SET]. (A beep sounds, and then another beep sounds 1 sec. later)
	6 • Display: "S9+60 Level HF" • Receive	• Set the SSG as; Level : +90 dB μ (-17 dBm)		
Automatically returns to the receive adjustment menu.				

4-10 RECEIVE ADJUSTMENTS (VHF BAND)

- 1) Set or modify the adjustment value as specified by rotating [MAIN DIAL].
- 2) Push [SET] to store the value.

ADJUSTMENT ITEM	TRANSCEIVER'S CONDITION	OPERATION	ADJUST POINT	VALUE
PREPARATION	1 <ul style="list-style-type: none"> • Frequency: 75.2015 MHz • Receive 	1) Connect the SSG to [ANT2], and then set it as; Frequency : 75.2015 MHz Level : +10 dB μ (-97 dBm) Modulation: None 2) Connect the millivoltmeter and a speaker to [EXT-SP].		Push [NB].
TUNED BPF	2 <ul style="list-style-type: none"> • Display: "Tuned BPF VHF1-L" • Receive 	–	–	Push [SET]. (A beep sounds, and then another beeps sound 3 sec. later)
	3 <ul style="list-style-type: none"> • Display: "Tuned BPF VHF1-M" • Receive 	• Set the SSG as; Frequency : 90.2015 MHz		
	4 <ul style="list-style-type: none"> • Display: "Tuned BPF VHF1-H" • Receive 	• Set the SSG as; Frequency : 128.8015 MHz		
	5 <ul style="list-style-type: none"> • Display: "Tuned BPF VHF2-L" • Receive 	• Set the SSG as; Frequency : 129.2015 MHz		
	6 <ul style="list-style-type: none"> • Display: "Tuned BPF VHF2-M" • Receive 	• Set the SSG as; Frequency : 146.0215 MHz		
	7 <ul style="list-style-type: none"> • Display: "Tuned BPF VHF2-H" • Receive 	• Set the SSG as; Frequency : 170.2015 MHz		
IF-TRAP	8 <ul style="list-style-type: none"> • Display: "IF-Trap" • Receive 	• Set the SSG as; Frequency : 124.4870 MHz Level : +50 dB μ (-57 dBm) Modulation: None		Push [SET]. (A beep sounds, and then another beeps sound 20 to 30 sec. later)
RX TOTAL GAIN	9 <ul style="list-style-type: none"> • Display: "Total Gain VHF" • Receive 	• Set the SSG as; Frequency : 146.0215 MHz Level : +10 dB μ (-97 dBm) Modulation: None		Push [SET]. (A beep sounds, and then another beeps sound 15 to 20 sec. later)
S-METER	NOTE: DO NOT change the output level of the SSG until the beep sounds.			
	10 <ul style="list-style-type: none"> • Display: "S9 Level VHF" • Receive 	–	–	Push [SET]. (A beep sounds, and then another beep sounds 1 sec. later)
	11 <ul style="list-style-type: none"> • Display: "S9+60 Level VHF" • Receive 	• Set the SSG as; Level : +70 dB μ (-37 dBm)		
Automatically returns to the receive adjustment menu.				

4-11 RECEIVE ADJUSTMENTS (UHF BAND)

- 1) Set or modify the adjustment value as specified by rotating [MAIN DIAL].
- 2) Push [SET] to store the value.

ADJUSTMENT ITEM	TRANSCEIVER'S CONDITION	OPERATION	ADJUST POINT	VALUE	
PREPARATION	1 <ul style="list-style-type: none"> • Frequency: 400.2015 MHz • Receive 	1) Connect the SSG to [ANT2], and then set it as; Frequency : 400.2015 MHz Level : +10 dB μ (-97 dBm) Modulation: None 2) Connect the millivoltmeter and a speaker to [EXT-SP].	-	Push [NR].	
TUNED BPF	2 <ul style="list-style-type: none"> • Display: "Tuned BPF UHF1-L" • Receive 	-		-	Push [SET]. (A beep sounds, and then another beeps sound 3 sec. later)
	3 <ul style="list-style-type: none"> • Display: "Tuned BPF2 UHF-M" • Receive 	• Set the SSG as; Frequency : 435.0215 MHz			
	4 <ul style="list-style-type: none"> • Display: "Tuned BPF UHF-H" • Receive 	• Set the SSG as; Frequency : 469.8015 MHz Level : +20 dB μ (-87 dBm) Modulation: None			
RX TOTAL GAIN	5 <ul style="list-style-type: none"> • Display: "Total Gain UHF" • Receive 	• Set the SSG as; Frequency : 435.0215 MHz Level : +10 dB μ (-97 dBm) Modulation: None	-	Push [SET]. (A beep sounds, and then another beeps sound 10 sec. later)	
S-METER	NOTE: DO NOT change the SSG output level until the beep sounds.				
	6 <ul style="list-style-type: none"> • Display: "S9 Level UHF" • Receive 	• Set the SSG as; Level : +10 dB μ (-97 dBm)	-	Push [SET]. (A beep sounds, and then another beeps sound 1 sec. later)	
	7 <ul style="list-style-type: none"> • Display: "S9+60 Level UHF" • Receive 	• Set the SSG as; Level : +70 dB μ (-37 dBm)			
Automatically returns to the receive adjustment menu.					

4-12 RECEIVE ADJUSTMENTS (In the WFM mode)

- 1) Set or modify the adjustment value as specified by rotating [MAIN DIAL].
- 2) Push [SET] to store the value.

ADJUSTMENT ITEM	TRANSCEIVER'S CONDITION	OPERATION	ADJUST POINT	VALUE
PREPARATION	1 <ul style="list-style-type: none"> • Frequency: 90.200 MHz • Receive 	1) Connect the SSG to [ANT2], and then set it as; Frequency : 90.200 MHz Level : -5 dB μ (-112 dBm) Modulation: None 2) Connect the millivoltmeter and a speaker to [EXT-SP].	-	Push [NOTCH].
S-METER	NOTE: DO NOT change the SSG output level until the beep sounds.			
	2 <ul style="list-style-type: none"> • Display: "S0 Level WFM" • Receive 	-	-	Push [SET]. (A beep sounds, and then another beeps sound 1 sec. later)
	3 <ul style="list-style-type: none"> • Display: "S9 Level WFM" • Receive 	• Set the SSG as; Level : +10 dB μ (-97 dBm)		
	4 <ul style="list-style-type: none"> • Display: "S9+60 Level WFM" • Receive 	• Set the SSG as; Level : +50 dB μ (-57 dBm)		
Automatically returns to the receive adjustment menu. Push [MIC/RF PWR] to return to the main adjustment menu.				

SECTION 5

PARTS LIST

[MAIN UNIT]

REF NO.	PARTS NO.	DESCRIPTION	M.	H/V LOCATION
IC13	1110003800	S.IC NJM2904V-TE1-#FMZB	B	20.3/109.3
IC51	1180001541	S.IC TA78L08F(TE12LF)	T	20.3/183.3
IC71	1110003800	S.IC NJM2904V-TE1-#FMZB	T	36.5/182.0
IC141	1110006570	S.IC TS462CPT	T	149.7/171.3
IC161	1180001252	S.IC TA7808F(TE16L1NQ)	T	7.9/190.6
IC221	1190003450	S.IC MP7741DQ-LF-P	B	115.0/175.8
IC401	1110003800	S.IC NJM2904V-TE1-#FMZB	B	30.1/89.6
IC511	1190002911	S.IC TUSB2046BIVFRG4	T	90.6/181.6
IC541	1190002730	S.IC CP2102-GMR <MAC>	B	66.4/187.0
IC561	1130016110	S.IC TC7WH14FK(TE85LF)	T	72.8/190.7
IC591	1190002730	S.IC CP2102-GMR <MAC>	B	90.2/177.2
IC601	1130012260	S.IC SN74AHC74PWR	T	82.8/174.8
IC602	1190002240	S.IC PCM2901E1/2K	T	75.8/175.3
IC603	1130007021	S.IC TC7S66FU(TE85LF)	T	64.3/175.7
IC1001	6910022360	S.DC TPS62110RSAR	T	7.8/171.5
IC1101	6910022360	S.DC TP562110RSAR	T	7.8/162.4
IC1201	6910022360	S.DC TP562110RSAR	T	7.8/153.3
IC1301	1130010540	S.IC SN74AHC74PWR	T	12.4/146.4
IC1302	1130003611	S.IC TC4SU69F(TE85RF)	T	17.9/145.2
IC1501	1110005320	S.IC NJM13403V-TE1-#ZZZB	T	27.9/126.3
IC1502	1110003800	S.IC NJM2904V-TE1-#FMZB	T	18.5/124.2
IC2001	1130012610	S.IC SN74AHC1GU04DCKR	T	82.3/137.7
IC2002	1190003440	S.IC AD9837BCPZ-RL7 <FE>	T	72.8/135.9
IC2003	1130010540	S.IC SN74AHC74PWR	B	77.9/138.0
IC2202	1190002101	S.IC AD9951YSVZ <FE>	B	70.7/111.4
IC2203	1110007400	S.IC BGA616 <R0YO>	B	100.2/112.6
IC2204	1180003960	S.REG XC6221A182MR-G	T	62.2/121.6
IC2351	1110008100	S.IC BGA2709115 <RYO>	T	94.2/81.1
IC2401	1110008100	S.IC BGA2709115 <RYO>	T	75.8/81.3
IC2771	1110008100	S.IC BGA2709115 <RYO>	B	71.6/66.3
IC2801	1110007400	S.IC BGA616 <R0YO>	B	50.7/86.4
IC3021	1110008100	S.IC BGA2709115 <RYO>	B	23.8/44.0
IC3031	1110008090	S.IC BGA2711115 <RYO>	B	25.7/55.6
IC3051	1110008080	S.IC BGA2866115 <RYO>	B	20.6/64.5
IC4351	1130011741	S.IC TC7W66FK(TE85LF)	T	38.3/154.8
IC4501	1130011741	S.IC TC7W66FK(TE85LF)	T	47.3/156.8
IC4502	1110006730	S.IC NJM2594V-TE1-#ZZZB	T	47.7/164.8
IC4503	1130011741	S.IC TC7W66FK(TE85LF)	T	48.7/172.6
IC4504	1110006570	S.IC TS462CPT	T	57.4/156.5
IC4505	1130011741	S.IC TC7W66FK(TE85LF)	T	61.2/149.8
IC4601	1110008220	S.IC NJM2549RB2-TE2-#ZZZH	T	51.1/153.1
IC5001	1140015961	S.IC TMS320C6745DPTPA3 [USA]	T	128.0/139.5
	1140015962	S.IC TMS320C6745DPTPA3 [EUR]	[EUR]	
	1140015962	S.IC TMS320C6745DPTPA3 [EUR-01]	[EUR-01]	
	1140015962	S.IC TMS320C6745DPTPA3 [ITR]	[ITR]	
	1140015962	S.IC TMS320C6745DPTPA3 [ESP]	[ESP]	
	1140015962	S.IC TMS320C6745DPTPA3 [TPE]	[TPE]	
	1140015962	S.IC TMS320C6745DPTPA3 [KOR]	[KOR]	
	1140015962	S.IC TMS320C6745DPTPA3 [CHN]	[CHN]	
	1140015962	S.IC TMS320C6745DPTPA3 [FRA]	[FRA]	
	1140015962	S.IC TMS320C6745DPTPA3 [EXP]	[EXP]	
IC5002	1130017200	S.IC EN25Q80A-100HIP(SX-3393G-4)	B	147.5/142.2
IC5051	1130015820	S.IC SN74AUP117DCKR	T	125.1/116.3
IC5052	1130010540	S.IC SN74AHC74PWR	T	118.8/116.3
IC5053	1130013450	S.IC SN74AUC1G04DCKR	B	118.6/117.0
IC5061	1180003940	S.REG XC6222D121PR-G	B	126.1/154.3
IC5071	1190003250	S.IC AK4621EFP-E2	T	91.3/149.5
IC5072	1110008060	S.IC PCM1754DBQR	T	100.1/151.3
IC5081	1110006570	S.IC TS462CPT	T	89.4/162.7
IC5082	1110006570	S.IC TS462CPT	T	74.9/161.3
IC5083	1110006570	S.IC TS462CPT	T	65.9/162.5
IC5091	1110003800	S.IC NJM2904V-TE1-#FMZB	T	96.7/161.8
IC5111	1130009981	S.IC TC7W53FK(TE85LF)	T	82.2/165.7
IC5151	1130009981	S.IC TC7W53FK(TE85LF)	T	60.2/167.1
IC5161	1110006570	S.IC TS462CPT	T	74.4/149.9
IC5162	1110006570	S.IC TS462CPT	T	79.8/145.7
IC5163	1110006570	S.IC TS462CPT	T	79.8/154.0
IC5211	1130009981	S.IC TC7W53FK(TE85LF)	T	67.9/154.9
IC5212	1130009981	S.IC TC7W53FK(TE85LF)	T	67.9/149.9
IC5213	1130009981	S.IC TC7W53FK(TE85LF)	T	67.9/144.8
IC5501	1180004240	S.REG XC6222D131PR-G	T	113.8/109.1
IC5502	1140016370	S.IC TMS320C5517AZCHA20	T	128.0/108.5
IC5503	1130017370	S.IC EN25Q40-100GIP(SX-3393R)	B	141.8/93.2
IC6101	1130016110	S.IC TC7WH14FK(TE85LF)	B	85.5/33.4
IC6102	1130016110	S.IC TC7WH14FK(TE85LF)	T	106.0/74.1
IC6103	1110007800	S.IC S-80930CNMC-G80T2G	B	143.6/63.2
IC6201	1130015740	S.IC S-35390A-I8T1G	T	140.0/46.3
IC6202	1140015860	S.IC R5F56106WNBG	T	128.0/68.5
IC6203	1140015870	S.IC M24M01-RMN6TP	B	134.3/55.5
IC6204	1130015940	S.IC CS16LV20493AUIP55-REEL <SEI>	T	127.0/43.5
IC6401	1140016820	S.IC R4F20102NFA U1(SX-3393C)	T	99.0/55.5
IC6402	1180004230	S.REG XC6222A321MR-G	B	151.5/63.3
IC7001	1130010550	S.IC SN74AHC595PWR	T	23.4/108.6
IC7002	1130010550	S.IC SN74AHC595PWR	T	90.7/34.3
IC7003	1130010550	S.IC SN74AHC595PWR	T	90.7/41.3
IC7004	1130010550	S.IC SN74AHC595PWR	T	149.6/161.0
IC7005	1130010550	S.IC SN74AHC595PWR	T	142.4/161.0
IC7006	1130016460	S.IC R2A20169SA	B	23.8/98.5
IC7007	1110005991	S.IC S-80945CNMC-G9F-T2G	T	151.0/67.4
IC7008	1130013370	S.IC HD74LV2GT34AUSE-E	B	22.8/93.7
Q5	1530004140	S.TRA L2SC4081RT1G <SLVJ>	B	15.3/101.8
Q51	1530004140	S.TRA L2SC4081RT1G <SLVJ>	T	28.4/186.2
Q61	1590004060	S.TRA LDTTC114EET1G <SLVJ>	T	60.1/189.9
Q62	1530004140	S.TRA L2SC4081RT1G <SLVJ>	T	34.5/195.3
Q71	1590004060	S.TRA LDTTC114EET1G <SLVJ>	T	37.6/176.4

Eqv.= This component is equivalent to the REF No. component listed above, and may be substituted on parts orders and repairs.

[MAIN UNIT]

REF NO.	PARTS NO.	DESCRIPTION	M.	H/V LOCATION
Q91	1530004210	S.TRA DSC7004SOL	B	50.7/185.4
Q92	1530004140	S.TRA L2SC4081RT1G <SLVJ>	T	51.8/183.6
Q93	1590004310	S.TRA LDTA114EET1G <SLVJ>	B	52.9/180.7
Q101	1530004210	S.TRA DSC7004SOL	B	45.7/185.3
Q102	1530004140	S.TRA L2SC4081RT1G <SLVJ>	T	46.8/183.6
Q103	1590004310	S.TRA LDTA114EET1G <SLVJ>	B	48.1/180.5
Q121	1590004060	S.TRA LDTTC114EET1G <SLVJ>	T	96.2/196.3
Q131	1590004060	S.TRA LDTTC114EET1G <SLVJ>	T	152.1/194.2
Q132	1590004310	S.TRA LDTA114EET1G <SLVJ>	T	150.3/196.0
Q133	1590004310	S.TRA LDTA114EET1G <SLVJ>	T	150.3/198.0
Q134	1590004060	S.TRA LDTTC114EET1G <SLVJ>	T	147.8/198.0
Q171	1510001200	S.TRA L2SA1576ART1G <SLVJ>	T	135.1/188.6
Q172	1520000910	S.TRA 2SB1132L-R-AB3-R <SLVJ>	T	137.9/192.8
Q173	1590004060	S.TRA LDTTC114EET1G <SLVJ>	T	136.6/168.2
Q181	1590004310	S.TRA LDTA114EET1G <SLVJ>	T	144.2/187.2
Q182	1530004140	S.TRA L2SC4081RT1G <SLVJ>	T	149.2/191.7
Q183	1530004210	S.TRA DSC7004SOL	T	143.0/191.0
Q201	1590004310	S.TRA LDTA114EET1G <SLVJ>	T	135.2/195.9
Q202	1590004060	S.TRA LDTTC114EET1G <SLVJ>	T	134.2/192.8
Q251	1560001730	S.FET RUE002N02 TL	B	131.2/190.3
Q252	1550000240	S.FET TPCF8107(TE85LF)	B	128.2/185.7
Q261	1550000210	S.FET RTU002P02 T106	T	136.5/35.7
Q262	1590004060	S.TRA LDTTC114EET1G <SLVJ>	T	136.7/39.3
Q511	1590004060	S.TRA LDTTC114EET1G <SLVJ>	B	58.3/174.4
Q512	1550000260	S.FET RZR040P01TL	B	57.8/178.9
Q541	1590004060	S.TRA LDTTC114EET1G <SLVJ>	B	62.5/183.6
Q561	1510001200	S.TRA L2SA1576ART1G <SLVJ>	T	77.8/196.4
Q562	1530004140	S.TRA L2SC4081RT1G <SLVJ>	T	77.8/193.5
Q591	1590004060	S.TRA LDTTC114EET1G <SLVJ>	B	85.7/173.7
Q592	1590004060	S.TRA LDTTC114EET1G <SLVJ>	B	85.7/175.8
Q601	1590004060	S.TRA LDTTC114EET1G <SLVJ>	T	85.2/174.0
Q1001	1550000260	S.FET RZR040P01TL	T	32.6/174.2
Q1002	1590004060	S.TRA LDTTC114EET1G <SLVJ>	T	29.0/176.6
Q1401	1590004060	S.TRA LDTTC114EET1G <SLVJ>	B	35.5/43.9
Q1402	1590004310	S.TRA LDTA114EET1G <SLVJ>	B	35.0/46.4
Q1403	1590004070	S.TRA LDTTC144EET1G <SLVJ>	B	33.0/46.4
Q1404	1590004060	S.TRA LDTTC114EET1G <SLVJ>	T	76.9/54.0
Q1405	1590004310	S.TRA LDTA114EET1G <SLVJ>	T	74.6/54.0
Q1407	1590004060	S.TRA LDTTC114EET1G <SLVJ>	T	76.9/51.1
Q1408	1590004310	S.TRA LDTA114EET1G <SLVJ>	T	74.6/51.1
Q1410	1590004060	S.TRA LDTTC114EET1G <SLVJ>	T	81.6/54.0
Q1411	1590004310	S.TRA LDTA114EET1G <SLVJ>	T	79.3/54.0
Q1412	1590004070	S.TRA LDTTC144EET1G <SLVJ>	B	80.1/54.8
Q1413	1590004060	S.TRA LDTTC114EET1G <SLVJ>	T	81.6/51.1
Q1414	1590004310	S.TRA LDTA114EET1G <SLVJ>	T	79.3/51.1
Q1416	1590004060	S.TRA LDTTC114EET1G <SLVJ>	B	37.6/43.9
Q1417	1520000910	S.TRA 2SB1132L-R-AB3-R <SLVJ>	B	40.2/48.1
Q1418	1590004070	S.TRA LDTTC144EET1G <SLVJ>	B	40.5/44.3
Q1419	1590004060	S.TRA LDTTC114EET1G <SLVJ>	B	43.5/43.9
Q1420	1520000910	S.TRA 2SB1132L-R-AB3-R <SLVJ>	B	46.1/48.1
Q1421	1590004070	S.TRA LDTTC144EET1G <SLVJ>	B	46.4/44.3
Q1451	1590004060	S.TRA LDTTC114EET1G <SLVJ>	T	23.0/117.9
Q1452	1590004310	S.TRA LDTA114EET1G <SLVJ>	T	20.7/117.9
Q1453	1590004070	S.TRA LDTTC144EET1G <SLVJ>	B	21.7/118.3
Q1454	1590004060	S.TRA LDTTC114EET1G <SLVJ>	T	23.0/115.0
Q1455	1590004310	S.TRA LDTA114EET1G <SLVJ>	T	20.7/115.0
Q1456	1590004070	S.TRA LDTTC144EET1G <SLVJ>	B	21.5/116.3
Q1491	1590004310	S.TRA LDTA114EET1G <SLVJ>	T	35.0/132.4
Q1501	1560001790	S.FET LN2306LT1G <SLVJ>	B	18.4/130.4
Q1502	1560001790	S.FET LN2306LT1G <SLVJ>	B	21.6/130.4
Q1503	1510001200	S.TRA L2SA1576ART1G <SLVJ>	T	26.0/136.7
Q1504	1530003960	S.TRA KTC2875-B-RTK/P	T	34.5/129.7
Q1505	1590004310	S.TRA LDTA114EET1G <SLVJ>	B	33.3/134.2
Q1506	1560001790	S.FET LN2306LT1G <SLVJ>	T	33.0/137.2
Q1507	1590004060	S.TRA LDTTC114EET1G <SLVJ>	T	33.9/139.9
Q2001	1530004340	S.TRA 2SC3356L-B-AE3-R <SLVJ>	B	92.0/139.2
Q2002	1510001200	S.TRA L2SA1576ART1G <SLVJ>	B	88.1/139.3
Q2003	1510001200	S.TRA L2SA1576ART1G <SLVJ>	T	67.6/135.6
Q2101	1530004111	S.TRA KTC3770U-C-RTK/P	B	88.3/134.3
Q2102	1530004340	S.TRA 2SC3356L-B-AE3-R <SLVJ>	B	75.7/127.7
Q2151	1530004340	S.TRA 2SC3356L-B-AE3-R <SLVJ>	B	94.3/120.0
Q2152	1530004340	S.TRA 2SC3356L-B-AE3-R <SLVJ>	B	87.8/120.4
Q2901	1590004060	S.TRA LDTTC114EET1G <SLVJ>	T	84.4/71.1
Q2903	1590004060	S.TRA LDTTC114EET1G <SLVJ>	T	83.4/61.1
Q2904	1590004060	S.TRA LDTTC114EET1G <SLVJ>	T	83.4/63.1
Q2905	1590004310	S.TRA LDTA114EET1G <SLVJ>	T	82.1/71.1
Q2907	1590004310	S.TRA LDTA114EET1G <SLVJ>	T	81.1/61.1
Q2908	1590004310	S.TRA LDTA114EET1G <SLVJ>	T	81.1/63.1
Q2909	1590004060	S.TRA LDTTC114EET1G <SLVJ>	T	

[MAIN UNIT]

REF NO.	PARTS NO.	DESCRIPTION	M.	H/V LOCATION
Q3072	1590004060	S.TRA LDTC114EET1G <SLVJ>	T	20.8/40.4
Q3091	1590004060	S.TRA LDTC114EET1G <SLVJ>	T	11.7/66.3
Q3111	1590004690	S.TRA LDTC143ZET1G <SLVJ>	T	33.2/41.1
Q3121	1590004690	S.TRA LDTC143ZET1G <SLVJ>	T	38.0/41.1
Q3131	1590004690	S.TRA LDTC143ZET1G <SLVJ>	T	43.4/41.0
Q3141	1590004690	S.TRA LDTC143ZET1G <SLVJ>	T	50.2/41.0
Q3151	1590004690	S.TRA LDTC143ZET1G <SLVJ>	T	55.7/40.9
Q3161	1590004690	S.TRA LDTC143ZET1G <SLVJ>	T	61.0/40.9
Q3171	1590004690	S.TRA LDTC143ZET1G <SLVJ>	T	66.2/40.8
Q3181	1590004690	S.TRA LDTC143ZET1G <SLVJ>	T	71.7/30.1
Q3191	1590004690	S.TRA LDTC143ZET1G <SLVJ>	T	77.9/34.0
Q3201	1530004340	S.TRA 2SC3356L-B-AE3-R <SLVJ>	B	61.3/54.1
Q3202	1590004690	S.TRA LDTC143ZET1G <SLVJ>	T	71.4/51.8
Q3203	1590004690	S.TRA LDTC143ZET1G <SLVJ>	T	71.4/49.5
Q3231	1590004860	S.FET PMBFJ620115 <RYO>	T	40.9/65.5
Q3232	1590004860	S.FET PMBFJ620115 <RYO>	T	40.9/63.0
Q3233	1590004060	S.TRA LDTC114EET1G <SLVJ>	T	35.5/54.4
Q3234	1590004310	S.TRA LDTA114EET1G <SLVJ>	T	33.4/54.4
Q3251	1590004060	S.TRA LDTC114EET1G <SLVJ>	T	31.0/80.3
Q3271	1590004690	S.TRA LDTC143ZET1G <SLVJ>	T	17.3/82.6
Q3301	1590004060	S.TRA LDTC114EET1G <SLVJ>	T	81.6/46.4
Q3302	1590004060	S.TRA LDTC114EET1G <SLVJ>	T	83.0/48.5
Q3303	1590004310	S.TRA LDTA114EET1G <SLVJ>	T	79.3/49.0
Q3304	1590004310	S.TRA LDTA114EET1G <SLVJ>	T	79.3/46.9
Q3305	1590004310	S.TRA LDTA114EET1G <SLVJ>	T	79.3/44.9
Q3306	1590004060	S.TRA LDTC114EET1G <SLVJ>	T	81.6/44.4
Q3307	1590004060	S.TRA LDTC114EET1G <SLVJ>	T	81.6/40.3
Q3308	1590004060	S.TRA LDTC114EET1G <SLVJ>	T	81.6/42.3
Q3309	1590004310	S.TRA LDTA114EET1G <SLVJ>	T	79.3/40.8
Q3310	1590004310	S.TRA LDTA114EET1G <SLVJ>	T	79.3/42.8
Q3312	1590004310	S.TRA LDTA114EET1G <SLVJ>	T	50.0/72.4
Q4001	1590004860	S.FET PMBFJ620115 <RYO>	B	37.0/87.5
Q4051	1530004140	S.TRA L2SC4081RT1G <SLVJ>	T	32.2/90.5
Q4201	1580000751	S.FET 3SK294(TE85LF)	B	43.3/116.9
Q4251	1580000751	S.FET 3SK294(TE85LF)	B	43.9/123.6
Q4401	1580000751	S.FET 3SK294(TE85LF)	B	36.3/167.3
Q4501	1580000751	S.FET 3SK294(TE85LF)	B	39.0/160.0
Q4601	1530004140	S.TRA L2SC4081RT1G <SLVJ>	T	56.3/146.3
Q4701	1590004310	S.TRA LDTA114EET1G <SLVJ>	T	26.2/102.0
Q4702	1590004310	S.TRA LDTA114EET1G <SLVJ>	T	26.2/100.0
Q4703	1590004070	S.TRA LDTC144EET1G <SLVJ>	T	28.5/102.1
Q4704	1590004060	S.TRA LDTC114EET1G <SLVJ>	T	28.5/100.0
Q5151	1590004060	S.TRA LDTC114EET1G <SLVJ>	T	57.6/166.4
Q5211	1590004060	S.TRA LDTC114EET1G <SLVJ>	T	70.3/154.1
Q5212	1590004060	S.TRA LDTC114EET1G <SLVJ>	T	70.3/149.2
Q5213	1590004060	S.TRA LDTC114EET1G <SLVJ>	T	70.3/144.3
Q6101	1590004060	S.TRA LDTC114EET1G <SLVJ>	B	84.1/37.8
Q6102	1590004060	S.TRA LDTC114EET1G <SLVJ>	B	84.1/39.8
Q6104	1590004310	S.TRA LDTA114EET1G <SLVJ>	B	86.4/38.2
Q6105	1530004140	S.TRA L2SC4081RT1G <SLVJ>	T	100.8/73.4
Q6106	1510001200	S.TRA L2SA1576ART1G <SLVJ>	T	103.0/76.1
Q6107	1590004060	S.TRA LDTC114EET1G <SLVJ>	T	111.0/55.6
Q6301	1590004090	S.TRA LDTC114YET1G <SLVJ>	B	103.3/52.3
Q6302	1590004090	S.TRA LDTC114YET1G <SLVJ>	B	99.3/52.3
Q6303	1590004090	S.TRA LDTC114YET1G <SLVJ>	B	97.2/52.3
Q6304	1590004090	S.TRA LDTC114YET1G <SLVJ>	B	94.9/52.3
Q7216	1590004060	S.TRA LDTC114EET1G <SLVJ>	T	18.1/108.4
Q7217	1590004310	S.TRA LDTA114EET1G <SLVJ>	T	15.9/108.8
D51	1750001810	S.DIO L1SS400T1G <SLVJ>	T	32.5/185.2
D61	1750001810	S.DIO L1SS400T1G <SLVJ>	T	34.3/197.7
D71	1750002130	S.ZEN DZJ062MOL	B	33.5/180.1
D91	1750001810	S.DIO L1SS400T1G <SLVJ>	T	50.0/187.2
D101	1750001810	S.DIO L1SS400T1G <SLVJ>	T	46.8/187.2
D121	1750001810	S.DIO L1SS400T1G <SLVJ>	T	87.9/194.5
D131	1750001810	S.DIO L1SS400T1G <SLVJ>	T	152.1/196.7
D171	1750001810	S.DIO L1SS400T1G <SLVJ>	B	137.2/170.6
D181	1750001810	S.DIO L1SS400T1G <SLVJ>	T	145.5/193.5
D201	1750001820	S.DIO LRB706F-40T1G <SLVJ>	T	132.8/195.5
D221	1750001810	S.DIO L1SS400T1G <SLVJ>	B	110.3/179.8
D222	1750002130	S.ZEN DZJ062MOL	B	111.9/180.8
D521	1750001820	S.DIO LRB706F-40T1G <SLVJ>	T	94.5/188.0
D522	1750001820	S.DIO LRB706F-40T1G <SLVJ>	T	91.5/188.5
D561	1750001810	S.DIO L1SS400T1G <SLVJ>	T	79.7/196.6
D591	1750002230	S.DIO LRB751S-40T1G <SLVJ>	B	96.6/176.4
D1001	1750001810	S.DIO L1SS400T1G <SLVJ>	T	32.6/177.2
D1451	1750001810	S.DIO L1SS400T1G <SLVJ>	T	17.5/116.5
D1452	1750001810	S.DIO L1SS400T1G <SLVJ>	T	19.1/114.9
D1501	1750001810	S.DIO L1SS400T1G <SLVJ>	B	18.5/136.1
D1502	1750001810	S.DIO L1SS400T1G <SLVJ>	B	22.7/136.9
D1503	1750001810	S.DIO L1SS400T1G <SLVJ>	B	19.3/134.3
D1504	1750001810	S.DIO L1SS400T1G <SLVJ>	B	22.6/134.2
D1505	1750001810	S.DIO L1SS400T1G <SLVJ>	B	25.9/125.9
D1506	1750001810	S.DIO L1SS400T1G <SLVJ>	B	28.1/123.0
D1507	1750002230	S.DIO LRB751S-40T1G <SLVJ>	B	28.5/133.8
D1508	1750001810	S.DIO L1SS400T1G <SLVJ>	T	30.6/137.6
D1509	1750001810	S.DIO L1SS400T1G <SLVJ>	T	28.9/136.2
D1510	1750001950	S.ZEN HZUJ3.6B1TRF-E	T	28.2/138.5
D1511	1750001810	S.DIO L1SS400T1G <SLVJ>	B	17.4/120.9
D1512	1750001810	S.DIO L1SS400T1G <SLVJ>	B	24.4/132.3
D1513	1750001810	S.DIO L1SS400T1G <SLVJ>	B	25.9/124.7
D1514	1750001810	S.DIO L1SS400T1G <SLVJ>	B	31.9/131.1
D1515	1750001810	S.DIO L1SS400T1G <SLVJ>	B	26.1/136.4
D1516	1750001810	S.DIO L1SS400T1G <SLVJ>	B	17.1/126.8
D2201	1750001930	S.DIO HVD147KRF-E	B	96.9/104.0
D2202	1750002320	S.DIO DB3J315E	B	96.2/100.4
D2251	1750001930	S.DIO HVD147KRF-E	B	85.1/111.9
D2252	1750001930	S.DIO HVD147KRF-E	B	90.9/111.2
D2261	1750001930	S.DIO HVD147KRF-E	B	84.8/113.7
D2262	1750001930	S.DIO HVD147KRF-E	B	91.1/114.3
D2301	1750001930	S.DIO HVD147KRF-E	B	94.8/96.8
D2302	1750001930	S.DIO HVD147KRF-E	B	94.5/86.7
D2321	1750001930	S.DIO HVD147KRF-E	B	92.5/97.5
D2322	1750001930	S.DIO HVD147KRF-E	B	91.9/86.0

Eqv.= This component is equivalent to the REF No. component listed above, and may be substituted on parts orders and repairs.

[MAIN UNIT]

REF NO.	PARTS NO.	DESCRIPTION	M.	H/V LOCATION
D2401	1750001930	S.DIO HVD147KRF-E	B	86.3/78.4
D2402	1750001930	S.DIO HVD147KRF-E	B	87.0/80.0
D2403	1750002320	S.DIO DB3J315E	B	81.3/86.0
D2404	1750001930	S.DIO HVD147KRF-E	B	80.3/79.1
D2405	1750001930	S.DIO HVD147KRF-E	B	80.5/82.3
D2501	1750001930	S.DIO HVD147KRF-E	B	67.3/91.0
D2502	1750001930	S.DIO HVD147KRF-E	B	54.0/90.7
D2551	1750001930	S.DIO HVD147KRF-E	B	69.1/86.0
D2552	1750001930	S.DIO HVD147KRF-E	B	54.0/87.2
D2601	1750001930	S.DIO HVD147KRF-E	B	68.8/81.6
D2602	1750001930	S.DIO HVD147KRF-E	B	54.0/81.3
D2651	1750001930	S.DIO HVD147KRF-E	B	68.9/78.0
D2652	1750001930	S.DIO HVD147KRF-E	B	54.0/76.9
D2701	1750001930	S.DIO HVD147KRF-E	B	69.8/76.2
D2702	1750001930	S.DIO HVD147KRF-E	B	54.0/73.8
D2751	1750001930	S.DIO HVD147KRF-E	B	70.3/79.1
D2752	1750002320	S.DIO DB3J315E	B	73.7/70.2
D2753	1750001930	S.DIO HVD147KRF-E	B	53.3/72.2
D2901	1730002770	S.ZEN VDZT2R5.1B	T	82.9/74.9
D3011	1750001930	S.DIO HVD147KRF-E	T	13.1/52.8
D3012	1750001930	S.DIO HVD147KRF-E	T	16.5/50.5
D3013	1750001930	S.DIO HVD147KRF-E	T	22.7/48.8
D3014	1750001930	S.DIO HVD147KRF-E	T	16.5/49.0
D3015	1750001930	S.DIO HVD147KRF-E	T	21.1/46.3
D3021	1750001930	S.DIO HVD147KRF-E	B	27.5/37.4
D3031	1750001930	S.DIO HVD147KRF-E	B	28.2/43.5
D3032	1750001930	S.DIO HVD147KRF-E	B	22.9/71.6
D3051	1750001930	S.DIO HVD147KRF-E	B	26.7/43.5
D3052	1750001930	S.DIO HVD147KRF-E	B	20.5/71.6
D3071	1750001930	S.DIO HVD147KRF-E	T	8.3/49.6
D3072	1750001930	S.DIO HVD147KRF-E	T	16.6/40.4
D3081	1750001930	S.DIO HVD147KRF-E	B	21.5/33.8
D3082	1750001930	S.DIO HVD147KRF-E	B	21.5/32.4
D3083	1750001930	S.DIO HVD147KRF-E	B	17.5/29.7
D3091	1750001930	S.DIO HVD147KRF-E	T	8.3/50.6
D3101	1750001930	S.DIO HVD147KRF-E	B	23.9/32.9
D3111	1750001930	S.DIO HVD147KRF-E	B	28.2/35.1
D3112	1750001930	S.DIO HVD147KRF-E	B	33.3/40.6
D3121	1750001930	S.DIO HVD147KRF-E	B	36.2/29.8
D3122	1750001930	S.DIO HVD147KRF-E	B	36.2/39.9
D3131	1750001930	S.DIO HVD147KRF-E	B	39.2/29.8
D3132	1750001930	S.DIO HVD147KRF-E	B	40.5/39.9
D3141	1750001930	S.DIO HVD147KRF-E	B	46.2/29.8
D3142	1750001930	S.DIO HVD147KRF-E	B	47.3/39.9
D3151	1750001930	S.DIO HVD147KRF-E	B	51.7/29.8
D3152	1750001930	S.DIO HVD147KRF-E	B	51.7/39.9
D3161	1750001930	S.DIO HVD147KRF-E	B	57.0/29.8
D3162	1750001930	S.DIO HVD147KRF-E	B	57.0/39.9
D3171	1750001930	S.DIO HVD147KRF-E	B	62.2/29.8
D3172	1750001930	S.DIO HVD147KRF-E	B	62.2/39.9
D3181	1750001930	S.DIO HVD147KRF-E	B	68.2/29.8
D3182	1750001930	S.DIO HVD147KRF-E	B	68.2/39.9
D3191	1750001930	S.DIO HVD147KRF-E	B	73.7/29.3
D3192	1750001930	S.DIO HVD147KRF-E	B	73.7/39.9
D3201	1750001930	S.DIO HVD147KRF-E	B	51.7/49.6
D3202	1750001930	S.DIO HVD147KRF-E	B	51.7/55.4
D3203	1750001930	S.DIO HVD147KRF-E	B	53.5/49.6
D3204	1750001930	S.DIO HVD147KRF-E	T	68.5/51.2
D3205	1750001930	S.DIO HVD147KRF-E	T	68.5/52.2
D3206	1750001930	S.DIO HVD147KRF-E	T	68.9/57.0
D3207	1750001930	S.DIO HVD147KRF-E	T	68.9/55.4
D3208	1750001930	S.DIO HVD147KRF-E	B	51.7/57.4
D3231	1750001930	S.DIO HVD147KRF-E	T	31.8/70.1
D3232	1750001930	S.DIO HVD147KRF-E	B	42.1/56.1
D3233	1750002480	S.DIO 1SS390 <KMC>	B	35.1/78.9
D3234	1750002480	S.DIO 1SS390 <KMC>	B	36.8/79.7
D3241	1750001930	S.DIO HVD147KRF-E	B	50.5/80.5
D3251	1750001930	S.DIO HVD147KRF-E	B	30.4/76.8
D3252	1750001210	S.DIO HSB888ASTR-E	T	39.7/72.9
D3253	1750001210	S.DIO HSB888ASTR-E	T	39.7/75.5
D3254	1750001930	S.DIO HVD147KRF-E	B	50.2/83.1
D3271	1750001930	S.DIO HVD147KRF-E	B	20.1/82.6
D3272	1720000631	S.VAR 1SV285(TPH3F)	B	20.2/79.1
D3273	1750001930	S.DIO HVD147KRF-E	B	20.5/74.4
D3301	1750001810	S.DIO L1SS400T1G <SLVJ>	T	81.1/48.6
D4001	1750002480	S.DIO 1SS390 <KMC>	B	

[MAIN UNIT]

REF NO.	PARTS NO.	DESCRIPTION	M.	H/V LOCATION
D6303	1750001810	S.DIO L1SS400T1G <SLVJ> [USA]	B	103.0/44.1
	1750001810	S.DIO L1SS400T1G <SLVJ> [EUR-01]		
	1750001810	S.DIO L1SS400T1G <SLVJ> [ESP]		
	1750001810	S.DIO L1SS400T1G <SLVJ> [KOR]		
	1750001810	S.DIO L1SS400T1G <SLVJ> [FRA]		
D6304	1750001810	S.DIO L1SS400T1G <SLVJ> [EUR]	B	103.0/45.4
	1750001810	S.DIO L1SS400T1G <SLVJ> [EUR-01]		
	1750001810	S.DIO L1SS400T1G <SLVJ> [TPE]		
	1750001810	S.DIO L1SS400T1G <SLVJ> [KOR]		
	1750001810	S.DIO L1SS400T1G <SLVJ> [EXP]		
D6305	1750001810	S.DIO L1SS400T1G <SLVJ> [ITR]	B	103.0/46.7
	1750001810	S.DIO L1SS400T1G <SLVJ> [ESP]		
	1750001810	S.DIO L1SS400T1G <SLVJ> [TPE]		
	1750001810	S.DIO L1SS400T1G <SLVJ> [KOR]		
D6306	1750001810	S.DIO L1SS400T1G <SLVJ> [CHN]	B	103.0/48.1
	1750001810	S.DIO L1SS400T1G <SLVJ> [FRA]		
	1750001810	S.DIO L1SS400T1G <SLVJ> [EXP]		
D6307	1750001810	S.DIO L1SS400T1G <SLVJ> [USA]	B	103.0/49.3
	1750001810	S.DIO L1SS400T1G <SLVJ> [EUR]		
	1750001810	S.DIO L1SS400T1G <SLVJ> [EUR-01]		
	1750001810	S.DIO L1SS400T1G <SLVJ> [ITR]		
	1750001810	S.DIO L1SS400T1G <SLVJ> [ESP]		
	1750001810	S.DIO L1SS400T1G <SLVJ> [TPE]		
	1750001810	S.DIO L1SS400T1G <SLVJ> [KOR]		
	1750001810	S.DIO L1SS400T1G <SLVJ> [CHN]		
	1750001810	S.DIO L1SS400T1G <SLVJ> [EXP]		
D6308	1750001810	S.DIO L1SS400T1G <SLVJ>	B	103.0/50.5
D6309	1750001810	S.DIO L1SS400T1G <SLVJ> [EUR]	B	100.2/41.4
	1750001810	S.DIO L1SS400T1G <SLVJ> [TPE]		
	1750001810	S.DIO L1SS400T1G <SLVJ> [CHN]		
	1750001810	S.DIO L1SS400T1G <SLVJ> [FRA]		
D6310	1750001810	S.DIO L1SS400T1G <SLVJ> [EUR]	B	100.2/42.8
	1750001810	S.DIO L1SS400T1G <SLVJ> [EUR-01]		
	1750001810	S.DIO L1SS400T1G <SLVJ> [ITR]		
	1750001810	S.DIO L1SS400T1G <SLVJ> [ESP]		
	1750001810	S.DIO L1SS400T1G <SLVJ> [TPE]		
	1750001810	S.DIO L1SS400T1G <SLVJ> [KOR]		
	1750001810	S.DIO L1SS400T1G <SLVJ> [CHN]		
	1750001810	S.DIO L1SS400T1G <SLVJ> [FRA]		
	1750001810	S.DIO L1SS400T1G <SLVJ> [EXP]		
D6314	1750001810	S.DIO L1SS400T1G <SLVJ>	B	100.2/48.1
D6315	1750001810	S.DIO L1SS400T1G <SLVJ>	B	100.2/49.3
D6316	1750001810	S.DIO L1SS400T1G <SLVJ>	B	100.2/50.5
D6317	1750001810	S.DIO L1SS400T1G <SLVJ> [USA]	B	97.4/41.4
	1750001810	S.DIO L1SS400T1G <SLVJ> [KOR]		
D6319	1750001810	S.DIO L1SS400T1G <SLVJ> [EUR]	B	97.4/44.1
	1750001810	S.DIO L1SS400T1G <SLVJ> [EUR-01]		
	1750001810	S.DIO L1SS400T1G <SLVJ> [ITR]		
	1750001810	S.DIO L1SS400T1G <SLVJ> [ESP]		
	1750001810	S.DIO L1SS400T1G <SLVJ> [FRA]		
D6322	1750001810	S.DIO L1SS400T1G <SLVJ>	B	97.4/48.1
D6324	1750001810	S.DIO L1SS400T1G <SLVJ> [EUR]	B	97.4/50.5
	1750001810	S.DIO L1SS400T1G <SLVJ> [EUR-01]		
	1750001810	S.DIO L1SS400T1G <SLVJ> [ITR]		
	1750001810	S.DIO L1SS400T1G <SLVJ> [ESP]		
	1750001810	S.DIO L1SS400T1G <SLVJ> [TPE]		
	1750001810	S.DIO L1SS400T1G <SLVJ> [KOR]		
	1750001810	S.DIO L1SS400T1G <SLVJ> [CHN]		
	1750001810	S.DIO L1SS400T1G <SLVJ> [FRA]		
D6325	1750001810	S.DIO L1SS400T1G <SLVJ>	B	94.6/41.4
D6326	1750001810	S.DIO L1SS400T1G <SLVJ>	B	94.6/42.8
D6327	1750001810	S.DIO L1SS400T1G <SLVJ>	B	94.6/44.1
D6328	1750001810	S.DIO L1SS400T1G <SLVJ>	B	94.6/45.4
D6332	1750001810	S.DIO L1SS400T1G <SLVJ> Only [KOR]	B	94.6/50.5
D6401	1750001810	S.DIO L1SS400T1G <SLVJ>	B	125.5/67.9
D6601	1750001820	S.DIO LRB706F-40T1G <SLVJ>	T	109.7/86.2
D6602	1750001820	S.DIO LRB706F-40T1G <SLVJ>	T	86.3/49.5
D6701	1750001820	S.DIO LRB706F-40T1G <SLVJ>	T	109.7/108.7
D6702	1750001820	S.DIO LRB706F-40T1G <SLVJ>	T	112.8/103.7
D6703	1750001820	S.DIO LRB706F-40T1G <SLVJ>	T	145.3/77.3
D6704	1750001820	S.DIO LRB706F-40T1G <SLVJ>	T	109.7/98.7
D6705	1750001820	S.DIO LRB706F-40T1G <SLVJ>	T	109.7/96.2
D6706	1750001820	S.DIO LRB706F-40T1G <SLVJ>	T	109.7/93.7
D6707	1750001820	S.DIO LRB706F-40T1G <SLVJ>	T	109.7/91.2
D6708	1750001820	S.DIO LRB706F-40T1G <SLVJ>	T	109.7/101.2
D6709	1750001820	S.DIO LRB706F-40T1G <SLVJ>	T	109.7/103.7
D6710	1750001820	S.DIO LRB706F-40T1G <SLVJ>	T	109.7/106.2
D6711	1750002230	S.DIO LRB751S-40T1G <SLVJ>	T	147.0/74.4
D6712	1750001820	S.DIO LRB706F-40T1G <SLVJ>	T	109.7/83.7
D6713	1750001820	S.DIO LRB706F-40T1G <SLVJ>	T	109.7/88.7
D6714	1750002110	S.DIO LRB551V-30T1G <SLVJ>	T	151.4/64.6
FI2151	2040002090	S.SAW HDF375.5C-S4-SWK <SEI>	T	76.2/119.2
FI3051	2040001420	S.LC LFB32440MSC1-955 (LFS25N12B0)	B	19.9/54.2
FI3052	2040001420	S.LC LFB32440MSC1-955 (LFS25N12B0)	B	19.9/60.3
FI4101	2010002860	S.XTA DSF753SDF 124.487 MHz (FL-467)	T	38.5/103.0
FI4351	2020001070	CER CFWLA455KDFB-B0 (CFWS455D)	B	
FI4601	2020001810	S.CER SFECV10M7FA00-R0 (SFECV10.7MA5S)	T	55.9/139.5
FI4602	2020001810	S.CER SFECV10M7FA00-R0 (SFECV10.7MA5S)	T	49.0/145.9
X511	6050012970	S.XTA CR-890 TSS-2 6 MHz	T	101.3/181.3
X601	6050012770	S.XTA CR-870 DSX321G 12 MHz<KDS>	T	75.2/167.0
X1301	6050012480	S.XTA CR-838(SMD-49/4.194304 MHz) JJE	T	23.2/149.0
X2001	6050013360	S.XTA CR-932 TTS27VSC-A7 41.344 MHz	T	99.2/138.9
X4601	6070000250	S.DIS CDSCB10M7GF122-R0	T	55.7/150.3

Eqv.= This component is equivalent to the REF No. component listed above, and may be substituted on parts orders and repairs.

[MAIN UNIT]

REF NO.	PARTS NO.	DESCRIPTION	M.	H/V LOCATION
X5051	6050013430	S.XTA CR-939 TTS18NSW-A11 24.576 MHz	T	129.0/116.9
X6201	6050013250	S.XTA CR-925 (NX3215SA 32.768kHz)	T	143.0/47.3
X6202	6050013260	S.XTA CR-924 TAS-3225H 12.288 MHz	T	131.0/80.5
X6401	6050012530	S.XTA CR-841(SMD49/19.6608 MHz) <JJE>	T	99.0/68.3
L211	6200014460	S.COI SLF12555T-680M1R3-PF	T	124.8/167.7
L231	6200014430	S.COI YC12575T*330MS <VKH>	T	112.1/181.2
L232	6200014430	S.COI YC12575T*330MS <VKH>	T	126.0/181.2
L301	6200012250	S.COI SLF7045T-3R3M2R5-PF 3.3U	T	9.1/126.2
L1001	6180003501	S.COI SLF6028T-100M1R3-PF	T	13.9/170.9
L1101	6180003501	S.COI SLF6028T-100M1R3-PF	T	13.9/161.9
L1103	6200015100	S.COI MLP2520S100MT	T	23.7/164.3
L1201	6180003501	S.COI SLF6028T-100M1R3-PF	T	13.9/152.4
L1202	6200015100	S.COI MLP2520S100MT	T	22.9/158.4
L2004	6200005041	S.COI NLV25T-220J	T	65.5/140.0
L2101	6200013740	S.COI MLG1608S R47J-T	B	90.7/136.8
L2102	6200009540	S.COI MLG1608B 22NJ-T	B	88.1/132.4
L2103	6200013340	S.COI MLG1608S R12J-T	B	91.2/130.8
L2104	6200009560	S.COI MLG1608B R10J-T	B	87.2/128.8
L2105	6200009560	S.COI MLG1608B R10J-T	B	89.3/128.7
L2106	6200009550	S.COI MLG1608B 27NJ-T	B	79.0/129.5
L2107	6200013740	S.COI MLG1608S R47J-T	B	77.2/130.8
L2108	6200013340	S.COI MLG1608S R12J-T	B	71.6/128.2
L2109	6200009610	S.COI MLG1608B 39NJ-T	B	69.7/127.5
L2110	6200010840	S.COI MLG1608B 56NJ-T	B	67.8/128.2
L2151	6200011600	S.COI MLG1608B 82NJ-T	T	91.4/126.1
L2152	6200010840	S.COI MLG1608B 56NJ-T	T	94.1/125.4
L2153	6200009560	S.COI MLG1608B R10J-T	B	93.2/124.6
L2154	6200009660	S.COI MLG1608B 10NJ-T	B	91.1/121.1
L2155	6200009670	S.COI MLG1608B 12NJ-T	B	83.7/121.5
L2203	6200009680	S.COI MLG1608B 47NJ-T	B	92.9/113.8
L2204	6200011600	S.COI MLG1608B 82NJ-T	B	94.8/114.1
L2205	6140002810	S.COI LR-317	T	79.7/110.7
L2206	6190002030	S.COI MLG1608S 1R0J-T	B	100.2/110.6
L2208	6200009560	S.COI MLG1608B R10J-T	B	102.3/109.2
L2209	6200009620	S.COI MLG1608B 68NJ-T	B	95.9/108.8
L2210	6200009560	S.COI MLG1608B R10J-T	B	100.4/107.9
L2211	6140002810	S.COI LR-317	T	97.1/106.1
L2212	6200009680	S.COI MLG1608B 47NJ-T	T	92.9/100.6
L2241	6200009560	S.COI MLG1608B R10J-T	B	83.4/111.3
L2242	6200009560	S.COI MLG1608B R10J-T	B	81.5/111.2
L2251	6200009070	S.COI LQW18AN18NG00D (LQW1608A18NG00)	B	86.7/108.5
L2252	6200010450	S.COI C2520C-R82G-A (0.82U)	B	88.4/111.3
L2253	6200009070	S.COI LQW18AN18NG00D (LQW1608A18NG00)	B	90.2/108.2
L2261	6200013740	S.COI MLG1608S R47J-T	B	85.5/107.0
L2262	6200013740	S.COI MLG1608S R47J-T	B	92.0/109.3
L2301	6200013740	S.COI MLG1608S R47J-T	B	97.5/98.1
L2303	6200011770	S.COI LQW18ANR10G00D	B	97.6/96.2
L2304	6200011650	S.COI LQW18AN68NG00D	B	98.3/94.3
L2305	6200010910	S.COI LQW18AN56NG00D	B	97.4/92.3
L2306	6200011590	S.COI LQW18AN39NG00D	B	94.6/91.0
L2307	6200010910	S.COI LQW18AN56NG00D	B	97.4/89.3
L2308	6200011650	S.COI LQW18AN68NG00D	B	95.6/88.2
L2310	6200013740	S.COI MLG1608S R47J-T	B	96.2/86.2
L2322	6200010910	S.COI LQW18AN56NG00D	B	90.8/96.4
L2323	6200011670	S.COI LQW18AN82NG00D	B	91.5/94.6
L2324	6200011670	S.COI LQW18AN82NG00D	B	89.7/93.0
L2325	6200011680	S.COI LQW18ANR12G00D	B	91.6/91.6
L2326	6200011670	S.COI LQW18AN82NG00D	B	92.2/89.7
L2327	6200011670	S.COI LQW18AN82NG00D	B	92.0/87.9
L2351	6200014130	S.COI MLG1608S R33J-T	T	91.3/81.1
L2352	6200009680	S.COI MLG1608B 47NJ-T	T	91.5/79.3
L2402	6200009290	S.COI LQW18AN47NG00D (LQW1608A47NG00)	B	86.3/81.7
L2403	6200011680	S.COI LQW18ANR12G00D	B	83.9/85.7
L2404	6140002810	S.COI LR-317	T	83.6/86.0
L2405	6200009580	S.COI MLG1608B 15NJ-T	B	82.2/78.4
L2406	6200009680	S.COI MLG1608B 47NJ-T	B	79.6/87.8
L2407	6200009610	S.COI MLG1608B 39NJ-T	B	77.8/86.8
L2409	6200013740	S.COI MLG1608S R47J-T	B</	

[MAIN UNIT]

REF NO.	PARTS NO.	DESCRIPTION	M.	H/V LOCATION
L2654	6200009280	S.COI LQW18AN27NG00D (LQW1608A27NG00)	B	63.6/76.8
L2655	6200011590	S.COI LQW18AN39NG00D	B	61.6/75.9
L2656	6200011580	S.COI LQW18AN33NG00D	B	59.7/75.3
L2657	6200011580	S.COI LQW18AN33NG00D	B	57.6/75.9
L2702	6200009280	S.COI LQW18AN27NG00D (LQW1608A27NG00)	B	67.0/71.2
L2703	6200011580	S.COI LQW18AN33NG00D	B	65.0/70.6
L2704	6200011580	S.COI LQW18AN33NG00D	B	63.1/71.2
L2705	6200009070	S.COI LQW18AN18NG00D (LQW1608A18NG00)	B	61.3/72.1
L2706	6200009280	S.COI LQW18AN27NG00D (LQW1608A27NG00)	B	59.4/71.3
L2707	6200009280	S.COI LQW18AN27NG00D (LQW1608A27NG00)	B	57.6/73.0
L2751	6200013740	S.COI MLG1608S R47J-T	B	72.1/87.4
L2754	6200009550	S.COI MLG1608B 27NJ-T	B	73.2/76.7
L2755	6200010850	S.COI LQW18AN22NG00D (LQW1608A22NG00)	B	64.1/65.6
L2756	6140002810	S.COI LR-317	T	73.7/73.6
L2757	6200009220	S.COI LQW18AN15NG00D (LQW1608A15NG00)	B	62.2/66.4
L2758	6200010700	S.COI LQW18AN12NG00D	B	60.4/65.6
L2759	6200010630	S.COI LQW18AN8N2D00D	B	59.2/67.4
L2760	6200009680	S.COI MLG1608B 47NJ-T	B	75.0/68.2
L2761	6200010700	S.COI LQW18AN12NG00D	B	57.4/68.2
L2763	6200013740	S.COI MLG1608S R47J-T	B	51.5/92.5
L2771	6200014130	S.COI MLG1608S R33J-T	B	67.7/66.3
L2801	6200014130	S.COI MLG1608B R33J-T	B	48.8/86.5
L2802	6200009620	S.COI MLG1608B 68NJ-T	B	48.9/84.7
L2901	6200002041	S.COI NLV25T-101J	T	73.6/58.2
L3001	6200002041	S.COI NLV25T-101J	T	10.1/59.0
L3011	6200002041	S.COI NLV25T-101J	T	16.1/54.6
L3012	6200009600	S.COI MLG1608B 39NJ-T	T	17.4/47.9
L3013	6200009600	S.COI MLG1608B 39NJ-T	T	19.6/45.2
L3014	6200011410	S.COI C2520C-82NG-A	T	20.0/50.5
L3015	6200002041	S.COI NLV25T-101J	T	27.0/45.8
L3016	6200015040	S.COI MLG1608S R22J-T	T	17.7/45.9
L3021	6200005041	S.COI NLV25T-220J	B	20.9/42.4
L3022	6190002030	S.COI MLG1608S 1R0J-T	B	21.0/44.7
L3031	6190002030	S.COI MLG1608S 1R0J-T	T	26.4/54.0
L3032	6200009620	S.COI MLG1608B 68NJ-T	B	27.5/57.6
L3033	6200011600	S.COI MLG1608B 82NJ-T	B	27.4/59.5
L3034	6200009680	S.COI MLG1608B 47NJ-T	B	25.6/63.8
L3035	6200009610	S.COI MLG1608B 39NJ-T	B	24.9/65.9
L3036	6190002030	S.COI MLG1608S 1R0J-T	T	24.9/66.0
L3051	6200013740	S.COI MLG1608S R47J-T	B	19.7/49.7
L3052	6200009590	S.COI MLG1608B 18NJ-T	B	21.3/57.2
L3071	6200002041	S.COI NLV25T-101J	T	4.8/51.9
L3081	6200002041	S.COI NLV25T-101J	T	17.6/34.1
L3091	6190002030	S.COI MLG1608S 1R0J-T	T	11.0/68.6
L3103	6200003241	S.COI NLV32T-221J	T	27.8/32.6
L3104	6200001851	S.COI NLV32T-5R6J	B	24.9/30.9
L3105	6200003241	S.COI NLV32T-221J	T	31.3/31.2
L3106	6200002961	S.COI NLV32T-4R7J	B	30.9/28.8
L3111	6200002041	S.COI NLV25T-101J	T	32.6/35.2
L3112	6200010800	S.COI C2520C-4R7G-A	B	30.5/37.9
L3113	6200002041	S.COI NLV25T-101J	T	32.6/38.8
L3121	6200002041	S.COI NLV25T-101J	T	37.0/32.5
L3122	6200002041	S.COI NLV25T-101J	T	37.0/37.6
L3131	6200002041	S.COI NLV25T-101J	T	42.3/32.4
L3132	6200010800	S.COI C2520C-4R7G-A	B	42.0/32.0
L3133	6200010790	S.COI C2520C-3R9G-A	B	43.8/37.0
L3134	6200002041	S.COI NLV25T-101J	T	42.4/38.4
L3141	6200002041	S.COI NLV25T-101J	T	49.1/32.4
L3142	6200010810	S.COI C2520C-2R2G-A	B	49.0/32.0
L3143	6200010820	S.COI C2520C-2R7G-A	B	49.6/37.0
L3144	6200002041	S.COI NLV25T-101J	T	49.1/38.4
L3151	6200002041	S.COI NLV25T-101J	T	54.7/32.4
L3152	6200010780	S.COI C2520C-1R0G-A	B	54.3/32.0
L3153	6200010950	S.COI C2520C-1R5G-A (1.5U)	B	54.5/37.0
L3154	6200002041	S.COI NLV25T-101J	T	54.7/38.4
L3161	6200005011	S.COI NLV25T-100J	B	59.9/32.4
L3162	6200010530	S.COI C2520C-R56G-A (0.56U)	B	59.6/32.0
L3163	6200010450	S.COI C2520C-R82G-A (0.82U)	B	59.8/37.0
L3164	6200005011	S.COI NLV25T-100J	T	59.9/38.4
L3171	6200005011	S.COI NLV25T-100J	T	65.2/32.5
L3172	6200010530	S.COI C2520C-R56G-A (0.56U)	B	64.8/32.0
L3173	6200010450	S.COI C2520C-R82G-A (0.82U)	B	65.0/36.9
L3174	6200005011	S.COI NLV25T-100J	T	65.2/38.5
L3181	6200003711	S.COI NLV25T-2R7J	T	70.5/32.5
L3182	6200010870	S.COI C2520C-R33G-A (0.33U)	B	71.2/38.2
L3183	6200010730	S.COI C2520C-68NG-A	B	69.3/33.1
L3184	6200003711	S.COI NLV25T-2R7J	T	70.5/36.8
L3191	6200003711	S.COI NLV25T-2R7J	T	75.9/31.8
L3192	6200010870	S.COI C2520C-R33G-A (0.33U)	B	77.2/37.0
L3193	6200010870	S.COI C2520C-R33G-A (0.33U)	B	75.9/31.4
L3194	6200003711	S.COI NLV25T-2R7J	T	75.5/35.4
L3201	6200002041	S.COI NLV25T-101J	T	44.4/52.7
L3202	6200002041	S.COI NLV25T-101J	T	55.3/49.4
L3203	6140005310	S.COI LR-589 (4KBL-S120062)	T	61.0/50.5
L3204	6200003520	S.COI ELJFB 102K-F	B	63.8/49.2
L3205	6140005310	S.COI LR-589 (4KBL-S120062)	T	61.0/50.7
L3206	6200005501	S.COI NLV32T-471J	B	70.5/48.4
L3207	6200002041	S.COI NLV25T-101J	T	52.6/50.0
L3208	6200002041	S.COI NLV25T-101J	T	44.8/55.3
L3209	6200002041	S.COI NLV25T-101J	B	67.6/44.9
L3210	6200002041	S.COI NLV25T-101J	T	67.9/58.9
L3221	6200010860	S.COI C2520C-R10G-A (0.1U)	B	48.0/53.8
L3222	6200010860	S.COI C2520C-R10G-A (0.1U)	B	44.3/54.8
L3231	6140004680	S.COI LR-528 4KBL	T	47.8/63.6
L3232	6200014410	S.COI MLG1608S R27J-T	T	37.6/66.4
L3233	6200014410	S.COI MLG1608S R27J-T	T	37.2/68.0
L3234	6200009060	S.COI LQH32CN101K23L	T	37.7/69.4
L3235	6140002810	S.COI LR-317	T	33.8/63.6

Eqv.= This component is equivalent to the REF No. component listed above, and may be substituted on parts orders and repairs.

[MAIN UNIT]

REF NO.	PARTS NO.	DESCRIPTION	M.	H/V LOCATION
L3237	6200002041	S.COI NLV25T-101J	T	38.5/55.0
L3238	6200011600	S.COI MLG1608B 82NJ-T	T	30.7/67.2
L3241	6130002961	S.COI #617DB-1327=P3	T	44.6/69.3
L3242	6200009550	S.COI MLG1608B 27NJ-T	T	48.7/68.0
L3251	6200002041	S.COI NLV25T-101J	T	34.5/70.0
L3252	6200002041	S.COI NLV25T-101J	T	27.3/79.7
L3253	620002961	S.COI #617DB-1327=P3	T	34.8/74.2
L3254	6130002961	S.COI #617DB-1327=P3	T	44.6/74.2
L3255	6190002030	S.COI MLG1608S 1R0J-T	B	51.6/80.4
L3256	6200009660	S.COI MLG1608B 10NJ-T	B	48.6/81.1
L3261	6200009070	S.COI LQW18AN18NG00D (LQW1608A18NG00)	B	24.6/79.7
L3262	6200009220	S.COI LQW18AN15NG00D (LQW1608A15NG00)	B	26.5/78.9
L3263	6200011730	S.COI LQW18AN10NG00D	B	27.2/77.0
L3271	6200010680	S.COI C2520C-R22G-A (0.22U)	B	17.9/80.0
L3272	6190002030	S.COI MLG1608S 1R0J-T	B	22.3/76.8
L4001	6190002030	S.COI MLG1608S 1R0J-T	B	39.6/86.6
L4002	6200011410	S.COI C2520C-82NG-A	B	38.2/92.4
L4052	6190002030	S.COI MLG1608S 1R0J-T	T	33.5/87.7
L4101	6200009560	S.COI MLG1608B R10J-T	T	36.5/97.2
L4102	6200009560	S.COI MLG1608B R10J-T	T	40.1/110.4
L4152	6200009290	S.COI LQW18AN47NG00D (LQW1608A47NG00)	B	44.3/102.8
L4153	6200009290	S.COI LQW18AN47NG00D (LQW1608A47NG00)	B	46.5/105.4
L4201	6150005330	S.COI LS-548 PKI-4185	B	36.0/116.8
L4202	6150005330	S.COI LS-548 PKI-4185	B	51.6/116.8
L4251	6150005350	S.COI LS-550 PKI-4187	B	36.0/123.8
L4252	6200014130	S.COI MLG1608S R33J-T	B	46.5/124.3
L4301	6140002810	S.COI LR-317	T	45.9/131.7
L4302	6140002810	S.COI LR-317	T	58.3/131.7
L4303	6200014410	S.COI MLG1608S R27J-T	T	44.6/138.1
L4304	6200014410	S.COI MLG1608S R27J-T	T	47.2/138.0
L4351	6200003281	S.COI NLV25T-2R2J	T	51.7/138.3
L4352	6200002041	S.COI NLV25T-101J	T	46.1/141.4
L4401	6200002041	S.COI NLV25T-101J	B	34.4/164.2
L4501	6200003221	S.COI NLV32T-151J	B	42.2/162.1
L4502	6200003520	S.COI ELJFB 102K-F	B	48.1/168.4
L4603	6200003711	S.COI NLV25T-2R7J	T	59.5/141.6
L4604	6200005011	S.COI NLV25T-100J	B	54.7/149.9
R5	7030005120	S.RES ERJ2GEJ 102 X (1K)	B	15.2/98.5
R11	7030004980	S.RES ERJ2GEJ 101 X (100)	T	70.1/201.0
R12	7030004980	S.RES ERJ2GEJ 101 X (100)	T	66.2/200.0
R13	7030004980	S.RES ERJ2GEJ 101 X (100)	T	62.5/194.8
R14	7030004980	S.RES ERJ2GEJ 101 X (100)	T	19.6/91.5
R15	7030004980	S.RES ERJ2GEJ 101 X (100)	B	17.8/108.0
R17	7030005090	S.RES ERJ2GEJ 104 X (100K)	T	23.9/85.9
R19	7030004980	S.RES ERJ2GEJ 101 X (100)	T	20.4/87.2
R21	7030005090	S.RES ERJ2GEJ 104 X (100K)	T	24.5/94.4
R23	7030004980	S.RES ERJ2GEJ 101 X (100)	T	21.3/94.4
R24	7030005090	S.RES ERJ2GEJ 104 X (100K)	B	20.5/114.5
R25	7030005090	S.RES ERJ2GEJ 104 X (100K)	B	21.2/113.6
R26	7030005090	S.RES ERJ2GEJ 104 X (100K)	B	19.6/113.6
R27	7030004980	S.RES ERJ2GEJ 101 X (100)	B	17.8/112.3
R28	7030005090	S.RES ERJ2GEJ 104 X (100K)	B	22.0/105.1
R29	7030005090	S.RES ERJ2GEJ 104 X (100K)	B	22.5/106.4
R30	7030005090	S.RES ERJ2GEJ 104 X (100K)	B	20.4/105.1
R31	7030004980	S.RES ERJ2GEJ 101 X (100)	B	19.5/104.2
R51	7030005120	S.RES ERJ2GEJ 102 X (1K)	T	28.8/184.3
R52	7030007290	S.RES ERJ2GEJ 222 X (2.2K)	T	30.8/184.5
R61	7030007340	S.RES ERJ2GEJ 153 X (15K)	T	32.4/194.8
R62	7030005040	S.RES ERJ2GEJ 472 X (4.7K)	T	31.3/196.4
R63	7030005060	S.RES ERJ2GEJ 333 X (33K)	T	32.4/196.4
R64	7030005050	S.RES ERJ2GEJ 103 X (10K)	T	59.6/188.1
R65	7030005040	S.RES ERJ2GEJ 472 X (4.7K)	T	35.0/193.6
R71	7030004980	S.RES ERJ2GEJ 101 X (100)	T	40.1/180.6
R72	7030005000	S.RES ERJ2GEJ 471 X (470)	T	38.8/186.9
R73	7030005090	S.RES ERJ2GEJ 104 X (100K)	T	37.4/186.5
R75	7030005090	S.RES ERJ2GEJ 104 X (100K)	T	35.7/186.5
R76	7030005040	S.RES ERJ2GEJ 472 X (4.7K)	T	40.2/176.0
R78	7030005050	S.RES ERJ2GEJ 103 X (10K)	B	32.1/178.6
R79	7030005230	S.RES ERJ2GEJ 334 X (330K)	B	35.3/177.0
R80	7030005310	S.RES ERJ2GEJ 124 X (120K)	B	35.3/175.2
R81	7030008010	S.RES ERJ2GEJ 123 X (12K)	B	34.1/175.6
R91	7030005040	S.RES ERJ2GEJ 472 X (4.7K)	T	48.8/185.7
R92	7030005060	S.RES ERJ2GEJ 333 X (33K)	T	50.4/185.4
R93	7030007340	S.RES ERJ2GEJ 153 X (15K)	T	51.3/186.3
R94	7030005050	S.RES ERJ2GEJ 103 X (10K)	B	50.8/182.3
R95	7030007270	S.RES ERJ2GEJ 151 X (150)	B	52.4/182.3
R96	7030005040	S.RES ERJ2GEJ 472 X (4.7K)	T	53.4/184.6
R101	7030005040	S.RES ERJ2GEJ 472 X (4.7K)	T	47.9/185.7
R102	7030005060	S.RES ERJ2GEJ 333 X (33K)	T	46.3/185.4
R103	7030007340	S.RES ERJ2GEJ 153 X (15K)	T	44.7/185.4
R104</				

[MAIN UNIT]

REF NO.	PARTS NO.	DESCRIPTION	M.	H/V LOCATION
R148	7030005040	S.RES ERJ2GEJ 472 X (4.7K)	B	152.2/171.8
R149	7030008300	S.RES ERJ2GEJ 184 X (180K)	B	148.5/173.8
R150	7030007280	S.RES ERJ2GEJ 331 X (330)	B	150.0/169.2
R153	7030005120	S.RES ERJ2GEJ 102 X (1K)	T	28.7/194.8
R161	7030010510	S.RES ERJ1TYJ 8R2U (8.2)	T	13.2/182.0
R162	7030010510	S.RES ERJ1TYJ 8R2U (8.2)	T	9.2/183.0
R163	7030010510	S.RES ERJ1TYJ 8R2U (8.2)	T	5.2/183.0
R171	7030009320	S.RES ERJ2GEJ 4R7 X (4.7)	B	134.0/186.7
R172	7030005040	S.RES ERJ2GEJ 472 X (4.7K)	T	137.2/188.7
R173	7030005090	S.RES ERJ2GEJ 104 X (100K)	T	134.9/191.0
R174	7030005040	S.RES ERJ2GEJ 472 X (4.7K)	T	133.4/189.1
R175	7030005530	S.RES ERJ2GEJ 100 X (10)	B	136.1/180.2
R177	7030006070	S.RES ERJ12YJ101U (100)	B	139.5/181.4
R181	7030007270	S.RES ERJ2GEJ 151 X (150)	T	141.6/187.4
R182	7030005040	S.RES ERJ2GEJ 472 X (4.7K)	T	149.7/193.5
R183	7030005050	S.RES ERJ2GEJ 103 X (10K)	T	140.0/188.3
R184	7030005040	S.RES ERJ2GEJ 472 X (4.7K)	T	147.7/193.5
R185	7030005060	S.RES ERJ2GEJ 333 X (33K)	T	146.8/192.4
R186	7030007340	S.RES ERJ2GEJ 153 X (15K)	T	147.2/191.2
R201	7030005040	S.RES ERJ2GEJ 472 X (4.7K)	T	130.6/197.1
R202	7030007300	S.RES ERJ2GEJ 332 X (3.3K)	T	130.6/198.1
R203	7030007280	S.RES ERJ2GEJ 331 X (330)	T	120.8/200.4
R213	7030007160	S.RES ERJ12YJ3R3U (3.3)	T	115.1/162.2
R214	7030007160	S.RES ERJ12YJ3R3U (3.3)	T	115.1/166.2
R221	7030005050	S.RES ERJ2GEJ 103 X (10K)	B	115.6/171.1
R224	7030005120	S.RES ERJ2GEJ 102 X (1K)	T	112.7/172.6
R225	7030008290	S.RES ERJ2GEJ 183 X (18K)	B	110.8/178.1
R226	7030005240	S.RES ERJ2GEJ 473 X (4.7K)	B	117.6/178.2
R227	7030007340	S.RES ERJ2GEJ 153 X (15K)	B	111.2/176.6
R228	7030005050	S.RES ERJ2GEJ 103 X (10K)	B	111.2/175.0
R231	7030005530	S.RES ERJ2GEJ 100 X (10)	B	116.2/181.4
R233	7030005530	S.RES ERJ2GEJ 100 X (10)	B	119.4/180.5
R234	7030007290	S.RES ERJ2GEJ 222 X (2.2K)	B	130.4/183.0
R251	7030005050	S.RES ERJ2GEJ 103 X (10K)	B	130.4/188.7
R252	7030005110	S.RES ERJ2GEJ 224 X (220K)	B	130.4/186.2
R253	7030005110	S.RES ERJ2GEJ 224 X (220K)	B	131.3/188.3
R254	7030005120	S.RES ERJ2GEJ 102 X (1K)	B	125.6/184.0
R255	7030007340	S.RES ERJ2GEJ 153 X (15K)	B	128.9/188.3
R261	7030005240	S.RES ERJ2GEJ 473 X (4.7K)	T	120.5/31.9
R262	7030005240	S.RES ERJ2GEJ 473 X (4.7K)	T	130.4/30.6
R263	7410001140	S.ARR EXB28V104JX	T	121.9/33.9
R271	7030005240	S.RES ERJ2GEJ 473 X (4.7K)	T	133.4/36.0
R272	7030005240	S.RES ERJ2GEJ 473 X (4.7K)	T	136.3/37.8
R401	7030004980	S.RES ERJ2GEJ 101 X (100)	B	32.6/93.8
R402	7030005090	S.RES ERJ2GEJ 104 X (100K)	B	28.8/84.6
R403	7030005090	S.RES ERJ2GEJ 104 X (100K)	B	29.7/84.6
R404	7030006610	S.RES ERJ2GEJ 394 X (390K)	B	30.6/84.6
R405	7030004980	S.RES ERJ2GEJ 101 X (100)	B	31.5/84.6
R421	7410001230	S.ARR EXB28V101JX	T	125.5/121.9
R501	7030005120	S.RES ERJ2GEJ 102 X (1K)	T	119.1/204.3
R502	7030005120	S.RES ERJ2GEJ 102 X (1K)	T	119.1/202.6
R506	7030005240	S.RES ERJ2GEJ 473 X (4.7K)	T	96.1/174.7
R507	7030005240	S.RES ERJ2GEJ 473 X (4.7K)	B	71.0/182.8
R511	7030005220	S.RES ERJ2GEJ 223 X (22K)	B	56.9/176.5
R512	7030005050	S.RES ERJ2GEJ 103 X (10K)	B	58.3/181.3
R513	7030005030	S.RES ERJ2GEJ 152 X (1.5K)	T	97.2/181.6
R514	7030005160	S.RES ERJ2GEJ 105 X (1M)	T	96.3/182.5
R515	7030005090	S.RES ERJ2GEJ 104 X (100K)	T	88.7/188.3
R516	7030005030	S.RES ERJ2GEJ 152 X (1.5K)	T	89.6/188.3
R517	7030005120	S.RES ERJ2GEJ 102 X (1K)	B	58.3/176.0
R521	7030009530	S.RES ERJ2GEJ 270 X (27)	T	93.6/190.0
R522	7030009530	S.RES ERJ2GEJ 270 X (27)	T	92.4/190.6
R523	7030007340	S.RES ERJ2GEJ 153 X (15K)	T	85.3/186.8
R524	7030007340	S.RES ERJ2GEJ 153 X (15K)	T	82.6/186.8
R525	7030009530	S.RES ERJ2GEJ 270 X (27)	T	84.4/186.8
R526	7030009530	S.RES ERJ2GEJ 270 X (27)	T	83.5/186.8
R527	7030009530	S.RES ERJ2GEJ 270 X (27)	T	83.1/180.6
R528	7030009530	S.RES ERJ2GEJ 270 X (27)	T	83.1/179.7
R529	7030007340	S.RES ERJ2GEJ 153 X (15K)	T	83.1/181.5
R530	7030007340	S.RES ERJ2GEJ 153 X (15K)	T	83.1/178.8
R531	7030009530	S.RES ERJ2GEJ 270 X (27)	T	90.3/174.7
R532	7030007340	S.RES ERJ2GEJ 153 X (15K)	T	91.2/174.7
R533	7030009530	S.RES ERJ2GEJ 270 X (27)	T	89.4/174.7
R534	7030007340	S.RES ERJ2GEJ 153 X (15K)	T	88.5/174.7
R541	7030005040	S.RES ERJ2GEJ 472 X (4.7K)	B	62.4/186.0
R542	7030005050	S.RES ERJ2GEJ 103 X (10K)	B	62.4/187.0
R543	7030005050	S.RES ERJ2GEJ 103 X (10K)	B	62.4/185.1
R544	7030005050	S.RES ERJ2GEJ 103 X (10K)	B	70.5/188.7
R545	7030007250	S.RES ERJ2GEJ 220 X (22)	B	70.5/185.8
R546	7030007250	S.RES ERJ2GEJ 220 X (22)	B	70.5/186.7
R548	7030005050	S.RES ERJ2GEJ 103 X (10K)	B	70.5/184.9
R550	7030007250	S.RES ERJ2GEJ 220 X (22)	T	73.3/193.7
R551	7030007250	S.RES ERJ2GEJ 220 X (22)	B	70.5/184.0
R561	7030005090	S.RES ERJ2GEJ 104 X (100K)	T	72.2/188.1
R562	7030005090	S.RES ERJ2GEJ 104 X (100K)	T	72.2/187.2
R563	7030008290	S.RES ERJ2GEJ 183 X (18K)	T	79.0/198.2
R564	7030005050	S.RES ERJ2GEJ 103 X (10K)	T	77.4/198.2
R565	7030005240	S.RES ERJ2GEJ 473 X (4.7K)	T	76.0/195.0
R566	7030008010	S.RES ERJ2GEJ 123 X (12K)	T	76.0/192.1
R591	7030005040	S.RES ERJ2GEJ 472 X (4.7K)	B	85.6/177.3
R592	7030005050	S.RES ERJ2GEJ 103 X (10K)	B	87.5/171.6
R593	7030005050	S.RES ERJ2GEJ 103 X (10K)	B	85.6/178.3
R594	7030005050	S.RES ERJ2GEJ 103 X (10K)	B	94.9/178.5
R595	7030007250	S.RES ERJ2GEJ 220 X (22)	B	96.5/175.3
R596	7030007250	S.RES ERJ2GEJ 220 X (22)	B	94.9/176.8
R601	7030005030	S.RES ERJ2GEJ 152 X (1.5K)	T	81.9/177.0
R602	7030005050	S.RES ERJ2GEJ 103 X (10K)	T	85.6/171.2
R603	7030007250	S.RES ERJ2GEJ 220 X (22)	T	81.3/179.7
R604	7030007250	S.RES ERJ2GEJ 220 X (22)	T	81.3/180.6
R605	7030009140	S.RES ERJ2GEJ 272 X (2.7K)	T	74.3/169.0
R606	7030005160	S.RES ERJ2GEJ 105 X (1M)	T	74.3/169.9
R607	7030005160	S.RES ERJ2GEJ 105 X (1M)	T	75.1/180.8
R608	7030005240	S.RES ERJ2GEJ 473 X (4.7K)	T	62.5/176.0
R609	7030005090	S.RES ERJ2GEJ 104 X (100K)	B	64.9/175.7
R610	7030005090	S.RES ERJ2GEJ 104 X (100K)	B	64.4/174.1

Eqv.= This component is equivalent to the REF No. component listed above, and may be substituted on parts orders and repairs.

[MAIN UNIT]

REF NO.	PARTS NO.	DESCRIPTION	M.	H/V LOCATION
R611	7030005050	S.RES ERJ2GEJ 103 X (10K)	B	63.5/176.2
R612	7030005050	S.RES ERJ2GEJ 103 X (10K)	B	63.2/174.6
R621	7030005040	S.RES ERJ2GEJ 472 X (4.7K)	T	68.2/172.8
R622	7030005030	S.RES ERJ2GEJ 152 X (1.5K)	T	67.8/171.6
R1003	7030005050	S.RES ERJ2GEJ 103 X (10K)	T	4.7/171.7
R1004	7030012260	S.RES ERJ2RKD 4703X (470K)	T	19.0/171.3
R1005	7030012480	S.RES ERJ2RKFK 1003X (100K)	T	18.1/169.7
R1006	7030010020	S.RES ERJ2RKFK 1503X (150K)	T	19.0/169.7
R1007	7030005240	S.RES ERJ2GEJ 473 X (4.7K)	T	28.9/174.8
R1008	7030005040	S.RES ERJ2GEJ 472 X (4.7K)	T	30.1/175.2
R1009	7030007300	S.RES ERJ2GEJ 332 X (3.3K)	T	31.0/176.4
R1103	7030012260	S.RES ERJ2RKD 4703X (470K)	T	19.0/162.2
R1104	7030011670	S.RES ERJ2RKFK 3902 (39K)	T	18.1/160.6
R1105	7030012480	S.RES ERJ2RKFK 1003X (100K)	T	19.0/160.6
R1203	7030012260	S.RES ERJ2RKD 4703X (470K)	T	19.0/153.0
R1204	7030011670	S.RES ERJ2RKFK 3902 (39K)	T	18.1/151.4
R1205	7030011670	S.RES ERJ2RKFK 3902 (39K)	T	19.0/151.7
R1301	7030005120	S.RES ERJ2GEJ 102 X (1K)	T	6.1/147.7
R1302	7030005120	S.RES ERJ2GEJ 102 X (1K)	T	6.1/148.6
R1306	7030004980	S.RES ERJ2GEJ 101 X (100)	T	8.9/142.9
R1307	7030005160	S.RES ERJ2GEJ 105 X (1M)	T	20.1/145.9
R1401	7030005040	S.RES ERJ2GEJ 472 X (4.7K)	B	33.9/44.9
R1404	7030005040	S.RES ERJ2GEJ 472 X (4.7K)	T	80.5/55.4
R1406	7030007290	S.RES ERJ2GEJ 222 X (2.2K)	B	37.6/45.9
R1407	7030005120	S.RES ERJ2GEJ 102 X (1K)	B	41.9/44.5
R1408	7030007290	S.RES ERJ2GEJ 222 X (2.2K)	B	43.5/45.9
R1409	7030005120	S.RES ERJ2GEJ 102 X (1K)	B	47.8/44.4
R1451	7030005040	S.RES ERJ2GEJ 472 X (4.7K)	T	21.9/119.3
R1452	7030005040	S.RES ERJ2GEJ 472 X (4.7K)	T	19.2/116.4
R1491	7030009140	S.RES ERJ2GEJ 272 X (2.7K)	T	33.4/132.2
R1501	7030005090	S.RES ERJ2GEJ 104 X (100K)	B	17.6/134.7
R1502	7030005090	S.RES ERJ2GEJ 104 X (100K)	B	20.6/136.9
R1503	7030005240	S.RES ERJ2GEJ 473 X (4.7K)	B	18.8/132.6
R1504	7030005090	S.RES ERJ2GEJ 104 X (100K)	B	22.2/132.6
R1505	7030005240	S.RES ERJ2GEJ 473 X (4.7K)	B	19.2/127.7
R1506	7030005040	S.RES ERJ2GEJ 472 X (4.7K)	B	20.8/125.8
R1507	7030004980	S.RES ERJ2GEJ 101 X (100)	B	16.3/122.2
R1508	7030005090	S.RES ERJ2GEJ 104 X (100K)	T	30.6/135.5
R1509	7030012490	S.RES ERJ2RKFK 4701X (4.7K)	T	13.0/129.4
R1510	7030005120	S.RES ERJ2GEJ 102 X (1K)	B	18.9/122.4
R1511	7030013140	S.RES ERJ2RKFK 1001X (1K)	T	13.4/127.4
R1512	7030004980	S.RES ERJ2GEJ 101 X (100)	B	16.0/125.6
R1513	7030008290	S.RES ERJ2GEJ 183 X (18K)	B	17.0/119.4
R1514	7030005050	S.RES ERJ2GEJ 103 X (10K)	B	15.8/120.1
R1515	7030007340	S.RES ERJ2GEJ 153 X (15K)	B	19.6/126.3
R1516	7030005120	S.RES ERJ2GEJ 102 X (1K)	T	21.6/123.8
R1517	7510001511	S.THE NTCG16 4LH 223J	B	30.2/123.8
R1518	7030005090	S.RES ERJ2GEJ 104 X (100K)	B	18.3/125.8
R1519	7030005240	S.RES ERJ2GEJ 473 X (4.7K)	B	25.7/131.9
R1520	7030008310	S.RES ERJ2GEJ 564 X (560K)	B	28.8/129.0
R1521	7030005050	S.RES ERJ2GEJ 103 X (10K)	T	25.5/139.4
R1522	7030007290	S.RES ERJ2GEJ 222 X (2.2K)	B	30.2/133.2
R1523	7030005090	S.RES ERJ2GEJ 104 X (100K)	B	30.2/131.6
R1524	7030005090	S.RES ERJ2GEJ 104 X (100K)	B	29.3/132.4
R1526	7030008300	S.RES ERJ2GEJ 184 X (180K)	B	26.2/127.0
R1528	7030005230	S.RES ERJ2GEJ 334 X (330K)	B	27.5/131.9
R1529	7030005050	S.RES ERJ2GEJ 103 X (10K)	B	26.2/130.7
R1530	7030005090	S.RES ERJ2GEJ 104 X (100K)	B	28.0/125.6
R1531	7030005070	S.RES ERJ2GEJ 683 X (68K)	B	30.9/126.0
R1532	7030008300	S.RES ERJ2GEJ 184 X (180K)	B	30.5/129.5
R1533	7030005120	S.RES ERJ2GEJ 102 X (1K)	T	27.8/136.4
R1534	7030005050	S.RES ERJ2GEJ 103 X (10K)	B	29.1/126.5
R1535	7030005120	S.RES ERJ2GEJ 102 X (1K)	T	25.5/138.5
R1536	7030005700	S.RES ERJ2GEJ 274 X (270K)	B	26.2/129.8
R1537	7030007320	S.RES ERJ2GEJ 225 X (2.2M)	B	29.2/125.2
R1538	7030007280	S.RES ERJ2GEJ 331 X (330)	B	31.9/129.0
R1539	7030005000	S.RES ERJ2GEJ 471 X (470)	B	24.7/130.2
R1540	7030004980	S.RES ERJ2GEJ 101 X (100)	B	28.0/124.7
R1541	7030010040	S.RES ERJ2GEJ-JPW	B	33.0/129.9
R1542	7030008400	S.RES ERJ2GEJ 182 X (1.8K)	B	26.5/138.3
R1543	7030005040	S.RES ERJ2GEJ 472 X (4		

[MAIN UNIT]

REF NO.	PARTS NO.	DESCRIPTION	M.	H/V LOCATION
R2103	7030007250	S.RES ERJ2GEJ 220 X (22)	B	90.1/135.5
R2104	7030007280	S.RES ERJ2GEJ 331 X (330)	B	90.5/134.3
R2105	7030004980	S.RES ERJ2GEJ 101 X (100)	B	89.2/131.3
R2106	7030004970	S.RES ERJ2GEJ 470 X (47)	B	73.1/128.1
R2107	7030004980	S.RES ERJ2GEJ 101 X (100)	B	86.8/127.6
R2108	7030005590	S.RES ERJ2GEJ 680 X (68)	B	77.9/129.0
R2109	7030005530	S.RES ERJ2GEJ 100 X (10)	B	76.5/129.7
R2110	7030005030	S.RES ERJ2GEJ 152 X (1.5K)	B	72.6/129.4
R2111	7030005120	S.RES ERJ2GEJ 102 X (1K)	B	74.4/130.1
R2112	7030005000	S.RES ERJ2GEJ 471 X (470)	B	72.6/126.9
R2151	7030010430	S.RES ERJ2GEJ 120 X (12)	T	88.1/126.4
R2152	7030004980	S.RES ERJ2GEJ 101 X (100)	T	89.3/126.6
R2153	7030010430	S.RES ERJ2GEJ 120 X (12)	T	89.3/125.7
R2154	7030005050	S.RES ERJ2GEJ 103 X (10K)	B	92.1/120.8
R2155	7030005530	S.RES ERJ2GEJ 100 X (10)	B	92.6/122.0
R2156	7030005040	S.RES ERJ2GEJ 472 X (4.7K)	B	92.1/124.1
R2157	7030007280	S.RES ERJ2GEJ 331 X (330)	B	96.2/122.4
R2158	7030004980	S.RES ERJ2GEJ 101 X (100)	B	90.8/122.8
R2159	7030004980	S.RES ERJ2GEJ 101 X (100)	B	84.7/122.6
R2160	7030005120	S.RES ERJ2GEJ 102 X (1K)	B	85.2/121.4
R2161	7030005000	S.RES ERJ2GEJ 471 X (470)	B	86.9/122.8
R2162	7030005000	S.RES ERJ2GEJ 471 X (470)	B	85.6/120.2
R2163	7030004970	S.RES ERJ2GEJ 470 X (47)	B	88.8/122.8
R2164	7030005530	S.RES ERJ2GEJ 100 X (10)	B	82.0/120.3
R2165	7030005000	S.RES ERJ2GEJ 471 X (470)	B	82.6/121.7
R2166	7030005000	S.RES ERJ2GEJ 471 X (470)	B	80.8/120.6
R2201	7030005120	S.RES ERJ2GEJ 102 X (1K)	B	67.4/117.5
R2203	7030004970	S.RES ERJ2GEJ 470 X (47)	B	71.6/119.7
R2205	7030004990	S.RES ERJ2GEJ 221 X (220)	B	64.4/114.3
R2207	7030005710	S.RES ERJ2GEJ 121 X (120)	B	77.5/110.5
R2208	7030005710	S.RES ERJ2GEJ 121 X (120)	B	76.6/111.0
R2212	7030010040	S.RES ERJ2GEJ-JPW	B	96.1/113.5
R2214	7030004990	S.RES ERJ2GEJ 221 X (220)	B	64.4/110.5
R2215	7030004990	S.RES ERJ2GEJ 221 X (220)	B	64.4/109.6
R2216	7030004990	S.RES ERJ2GEJ 221 X (220)	B	64.4/108.7
R2219	7030008410	S.RES ERJ2GEJ 392 X (3.9K)	B	76.9/108.2
R2221	7030004990	S.RES ERJ2GEJ 221 X (220)	B	66.7/106.6
R2223	7030005120	S.RES ERJ2GEJ 102 X (1K)	B	97.1/105.2
R2224	7030005300	S.RES ERJ2GEJ 150 X (15)	B	98.0/109.9
R2225	7030010040	S.RES ERJ2GEJ-JPW	B	94.9/99.2
R2228	7030005120	S.RES ERJ2GEJ 102 X (1K)	B	98.8/104.0
R2251	7030008280	S.RES ERJ2GEJ 271 X (270)	B	88.2/107.0
R2252	7030005090	S.RES ERJ2GEJ 104 X (100K)	B	88.2/106.1
R2261	7030004990	S.RES ERJ2GEJ 221 X (220)	B	85.5/109.1
R2262	7030007270	S.RES ERJ2GEJ 151 X (150)	B	86.1/114.8
R2263	7030009200	S.RES ERJ2GEJ 390 X (39)	B	86.9/115.7
R2264	7030007270	S.RES ERJ2GEJ 151 X (150)	B	88.2/115.4
R2265	7030004990	S.RES ERJ2GEJ 221 X (220)	B	92.0/111.4
R2266	7030008280	S.RES ERJ2GEJ 271 X (270)	B	89.1/114.5
R2267	7030005090	S.RES ERJ2GEJ 104 X (100K)	B	90.0/114.5
R2301	7030004990	S.RES ERJ2GEJ 221 X (220)	B	96.1/97.5
R2302	7030008370	S.RES ERJ2GEJ 561 X (560)	T	94.5/94.3
R2303	7030008370	S.RES ERJ2GEJ 561 X (560)	T	94.5/89.2
R2304	7030004990	S.RES ERJ2GEJ 221 X (220)	B	94.9/85.2
R2305	7030005090	S.RES ERJ2GEJ 104 X (100K)	T	94.9/91.4
R2321	7030008370	S.RES ERJ2GEJ 561 X (560)	T	91.1/96.9
R2322	7030008370	S.RES ERJ2GEJ 561 X (560)	T	91.1/88.1
R2323	7030005090	S.RES ERJ2GEJ 104 X (100K)	T	91.6/89.3
R2324	7030009200	S.RES ERJ2GEJ 390 X (39)	T	95.1/84.7
R2325	7030007270	S.RES ERJ2GEJ 151 X (150)	T	96.3/85.1
R2326	7030007270	S.RES ERJ2GEJ 151 X (150)	T	96.3/84.2
R2351	7030005530	S.RES ERJ2GEJ 100 X (10)	T	91.7/82.8
R2401	7030009270	S.RES ERJ2GEJ 821 X (820)	B	87.9/77.9
R2402	7030008370	S.RES ERJ2GEJ 561 X (560)	B	88.0/82.1
R2403	7030005090	S.RES ERJ2GEJ 104 X (100K)	B	77.4/82.7
R2404	7030005530	S.RES ERJ2GEJ 100 X (10)	T	75.3/84.0
R2405	7030005570	S.RES ERJ2GEJ 820 X (82)	B	85.6/77.1
R2407	7030010040	S.RES ERJ2GEJ-JPW	B	84.3/78.4
R2410	7030004990	S.RES ERJ2GEJ 221 X (220)	B	86.8/76.7
R2411	7030008370	S.RES ERJ2GEJ 561 X (560)	B	79.0/82.7
R2413	7030009270	S.RES ERJ2GEJ 821 X (820)	B	79.3/79.3
R2414	7030009200	S.RES ERJ2GEJ 390 X (39)	T	78.1/81.9
R2415	7030007270	S.RES ERJ2GEJ 151 X (150)	T	78.5/80.6
R2416	7030007270	S.RES ERJ2GEJ 151 X (150)	T	77.6/80.6
R2419	7030004970	S.RES ERJ2GEJ 470 X (47)	B	79.9/89.0
R2501	7030008370	S.RES ERJ2GEJ 561 X (560)	T	65.5/90.2
R2502	7030005710	S.RES ERJ2GEJ 121 X (120)	B	56.0/90.8
R2503	7030005570	S.RES ERJ2GEJ 820 X (82)	B	56.5/89.5
R2504	7030005570	S.RES ERJ2GEJ 820 X (82)	B	55.6/89.5
R2505	7030008370	S.RES ERJ2GEJ 561 X (560)	T	55.8/90.2
R2506	7030005090	S.RES ERJ2GEJ 104 X (100K)	T	63.4/89.7
R2551	7030008370	S.RES ERJ2GEJ 561 X (560)	T	67.0/85.3
R2552	7030008370	S.RES ERJ2GEJ 561 X (560)	T	55.9/85.3
R2553	7030005090	S.RES ERJ2GEJ 104 X (100K)	T	64.9/84.9
R2555	7030010040	S.RES ERJ2GEJ-JPW	T	55.6/86.3
R2601	7030008370	S.RES ERJ2GEJ 561 X (560)	B	66.9/80.8
R2602	7030008370	S.RES ERJ2GEJ 561 X (560)	T	56.0/80.8
R2603	7030005090	S.RES ERJ2GEJ 104 X (100K)	T	64.8/80.3
R2604	7030009160	S.RES ERJ2GEJ 181 X (180)	B	57.5/80.1
R2605	7030007260	S.RES ERJ2GEJ 330 X (33)	B	56.2/81.3
R2606	7030009160	S.RES ERJ2GEJ 181 X (180)	B	55.7/80.1
R2651	7030008370	S.RES ERJ2GEJ 561 X (560)	B	66.5/76.8
R2652	7030007260	S.RES ERJ2GEJ 330 X (33)	B	56.1/76.9
R2653	7030009160	S.RES ERJ2GEJ 181 X (180)	B	56.5/75.5
R2654	7030009160	S.RES ERJ2GEJ 181 X (180)	B	55.6/75.5
R2655	7030008370	S.RES ERJ2GEJ 561 X (560)	T	55.7/76.8
R2656	7030005090	S.RES ERJ2GEJ 104 X (100K)	T	64.0/76.3
R2701	7030008370	S.RES ERJ2GEJ 561 X (560)	T	65.7/73.1
R2702	7030009200	S.RES ERJ2GEJ 390 X (39)	B	56.1/71.9
R2703	7030007270	S.RES ERJ2GEJ 151 X (150)	B	56.6/70.7
R2704	7030007270	S.RES ERJ2GEJ 151 X (150)	B	55.7/70.7
R2705	7030008370	S.RES ERJ2GEJ 561 X (560)	T	55.5/73.1
R2706	7030005090	S.RES ERJ2GEJ 104 X (100K)	T	64.0/72.7
R2751	7030009270	S.RES ERJ2GEJ 821 X (820)	B	70.0/87.4
R2752	7030008370	S.RES ERJ2GEJ 561 X (560)	B	73.5/78.4

Eqv.= This component is equivalent to the REF No. component listed above, and may be substituted on parts orders and repairs.

[MAIN UNIT]

REF NO.	PARTS NO.	DESCRIPTION	M.	H/V LOCATION
R2753	7030008370	S.RES ERJ2GEJ 561 X (560)	T	55.8/68.2
R2754	7030009270	S.RES ERJ2GEJ 821 X (820)	B	52.4/91.2
R2755	7030005090	S.RES ERJ2GEJ 104 X (100K)	T	57.9/67.7
R2771	7030005570	S.RES ERJ2GEJ 820 X (82)	B	75.5/67.2
R2772	7030005570	S.RES ERJ2GEJ 820 X (82)	B	74.3/66.7
R2773	7030005570	S.RES ERJ2GEJ 820 X (82)	B	75.5/66.3
R2774	7030008280	S.RES ERJ2GEJ 271 X (270)	B	66.7/65.9
R2775	7030010090	S.RES ERJ2GEJ 180 X (18)	B	66.2/67.2
R2776	7030008280	S.RES ERJ2GEJ 271 X (270)	B	65.8/65.9
R2801	7030010040	S.RES ERJ2GEJ-JPW	B	51.6/89.3
R2803	7030005300	S.RES ERJ2GEJ 150 X (15)	B	47.9/91.7
R3001	7030012990	S.RES ERJ8GEYJ 561V (560)	T	10.1/54.0
R3011	7030010090	S.RES ERJ2GEJ 180 X (18)	T	15.8/51.8
R3012	7030008280	S.RES ERJ2GEJ 271 X (270)	T	14.7/50.8
R3013	7030008280	S.RES ERJ2GEJ 271 X (270)	T	14.7/52.4
R3014	7030004980	S.RES ERJ2GEJ 101 X (100)	T	17.2/52.1
R3015	7030004980	S.RES ERJ2GEJ 101 X (100)	T	32.1/51.7
R3016	7030005220	S.RES ERJ2GEJ 223 X (22K)	T	32.1/49.7
R3017	7030005220	S.RES ERJ2GEJ 223 X (22K)	T	12.2/56.0
R3018	7030007280	S.RES ERJ2GEJ 331 X (330)	T	23.9/45.8
R3021	7030004980	S.RES ERJ2GEJ 101 X (100)	B	22.4/40.4
R3022	7030011010	S.RES ERJ2GEJ 8R2 X (8.2)	B	25.1/40.7
R3023	7030011010	S.RES ERJ2GEJ 8R2 X (8.2)	B	27.0/47.0
R3024	7030005710	S.RES ERJ2GEJ 121 X (120)	B	25.6/39.5
R3025	7030007270	S.RES ERJ2GEJ 151 X (150)	B	24.4/39.1
R3031	7030005530	S.RES ERJ2GEJ 100 X (10)	B	29.2/55.1
R3032	7030007280	S.RES ERJ2GEJ 331 X (330)	T	24.3/54.0
R3033	7030004990	S.RES ERJ2GEJ 221 X (220)	T	24.5/67.7
R3034	7030005220	S.RES ERJ2GEJ 223 X (22K)	T	26.4/68.4
R3035	7030010090	S.RES ERJ2GEJ 180 X (18)	B	24.1/68.1
R3036	7030008280	S.RES ERJ2GEJ 271 X (270)	B	25.0/68.1
R3037	7030008280	S.RES ERJ2GEJ 271 X (270)	B	24.5/69.3
R3051	7030005530	S.RES ERJ2GEJ 100 X (10)	T	18.4/66.0
R3052	7030005530	S.RES ERJ2GEJ 100 X (10)	B	20.9/67.4
R3053	7030005530	S.RES ERJ2GEJ 100 X (10)	B	20.5/68.7
R3054	7030005710	S.RES ERJ2GEJ 121 X (120)	B	19.3/67.4
R3055	7030007280	S.RES ERJ2GEJ 331 X (330)	B	21.8/50.1
R3056	7030007270	S.RES ERJ2GEJ 151 X (150)	T	15.4/68.8
R3057	7030005220	S.RES ERJ2GEJ 223 X (22K)	T	15.0/70.0
R3071	7030004980	S.RES ERJ2GEJ 101 X (100)	T	16.4/41.4
R3073	7030005220	S.RES ERJ2GEJ 223 X (22K)	T	6.1/55.0
R3074	7030004990	S.RES ERJ2GEJ 221 X (220)	T	6.3/49.6
R3075	7030005050	S.RES ERJ2GEJ 103 X (10K)	T	18.1/42.6
R3076	7030005050	S.RES ERJ2GEJ 103 X (10K)	T	19.2/41.7
R3077	7030005120	S.RES ERJ2GEJ 102 X (1K)	T	18.7/40.4
R3081	7030012990	S.RES ERJ8GEYJ 561V (560)	B	17.6/33.8
R3082	7030005240	S.RES ERJ2GEJ 473 X (47K)	T	18.7/36.2
R3083	7030009200	S.RES ERJ2GEJ 390 X (39)	B	19.6/30.6
R3084	7030009200	S.RES ERJ2GEJ 390 X (39)	B	20.8/31.1
R3085	7030011010	S.RES ERJ2GEJ 8R2 X (8.2)	B	19.6/29.7
R3086	7030012990	S.RES ERJ8GEYJ 561V (560)	T	16.6/31.7
R3087	7030005240	S.RES ERJ2GEJ 473 X (47K)	T	19.6/31.3
R3091	7030004990	S.RES ERJ2GEJ 221 X (220)	T	12.4/69.4
R3092	7030005220	S.RES ERJ2GEJ 223 X (22K)	T	11.0/63.6
R3093	7030004990	S.RES ERJ2GEJ 221 X (220)	T	11.9/70.7
R3111	7030009160	S.RES ERJ2GEJ 181 X (180)	T	30.1/35.2
R3112	7030009160	S.RES ERJ2GEJ 181 X (180)	T	30.5/39.2
R3113	7030005220	S.RES ERJ2GEJ 223 X (22K)	T	34.4/33.2
R3121	7030005710	S.RES ERJ2GEJ 121 X (120)	T	36.2/30.5
R3122	7030009160	S.RES ERJ2GEJ 181 X (180)	T	36.2/39.4
R3123	7030005220	S.RES ERJ2GEJ 223 X (22K)	T	38.0/29.1
R3131	7030005710	S.RES ERJ2GEJ 121 X (120)	T	40.0/32.0
R3132	7030009160	S.RES ERJ2GEJ 181 X (180)	T	40.3/38.9
R3133	7030005220	S.RES ERJ2GEJ 223 X (22K)	T	43.3/29.1
R3141	7030005710	S.RES ERJ2GEJ 121 X (120)	T	46.6/31.5
R3142	7030009160	S.RES ERJ2GEJ 181 X (180)	T	46.6/39.3
R3143	7030005220	S.RES ERJ2GEJ 223 X (22K)	T	50.2/29.1
R3151	7030005710	S.RES ERJ2GEJ 121 X (120)	T	52.2/32.4
R3152	7030009160	S.RES ERJ2GEJ 181 X (180)	T	52.2/38.4
R3153	7030005220	S.RES ERJ2GEJ 223 X (22K)	T	55.7/29.1
R3161	7030005710	S.RES ERJ2GEJ 121 X (120)	T	57.4/32.4
R3162	7030009160	S.RES ERJ2GEJ 181 X (180)	T	57.4/38.4
R3163	7030005220	S.RES ERJ2GEJ		

[MAIN UNIT]

REF NO.	PARTS NO.	DESCRIPTION	M.	H/V LOCATION
R3238	7030005050	S.RES ERJ2GEJ 103 X (10K)	T	38.7/64.4
R3241	7030004990	S.RES ERJ2GEJ 221 X (220)	T	40.9/69.3
R3242	7030005000	S.RES ERJ2GEJ 471 X (470)	T	49.2/70.9
R3251	7030009160	S.RES ERJ2GEJ 181 X (180)	T	32.2/71.6
R3252	7030005220	S.RES ERJ2GEJ 223 X (22K)	T	29.2/80.1
R3253	7030004990	S.RES ERJ2GEJ 221 X (220)	B	31.1/78.0
R3254	7030011010	S.RES ERJ2GEJ 8R2 X (8.2)	T	47.9/74.2
R3255	7030007270	S.RES ERJ2GEJ 151 X (150)	T	49.7/74.2
R3256	7030011010	S.RES ERJ2GEJ 8R2 X (8.2)	T	48.8/74.2
R3257	7030005120	S.RES ERJ2GEJ 102 X (1K)	B	37.3/78.6
R3258	7030007280	S.RES ERJ2GEJ 331 X (330)	T	50.6/74.2
R3259	7030004990	S.RES ERJ2GEJ 221 X (220)	B	51.0/82.1
R3271	7030005530	S.RES ERJ2GEJ 100 X (100)	B	21.2/76.2
R3272	7030005010	S.RES ERJ2GEJ 681 X (680)	T	21.9/82.7
R3273	7030005220	S.RES ERJ2GEJ 223 X (22K)	T	19.0/83.3
R3274	7030005090	S.RES ERJ2GEJ 104 X (100K)	B	17.0/82.9
R3275	7030005090	S.RES ERJ2GEJ 104 X (100K)	B	21.2/79.5
R3301	7030005220	S.RES ERJ2GEJ 223 X (22K)	T	76.1/44.9
R3302	7030005220	S.RES ERJ2GEJ 223 X (22K)	T	77.0/44.5
R4001	7030005120	S.RES ERJ2GEJ 102 X (1K)	B	37.0/83.4
R4003	7030005300	S.RES ERJ2GEJ 150 X (15)	B	37.4/85.5
R4007	7030005030	S.RES ERJ2GEJ 152 X (1.5K)	B	36.6/89.4
R4008	7030005120	S.RES ERJ2GEJ 102 X (1K)	B	37.0/94.5
R4009	7030005120	S.RES ERJ2GEJ 102 X (1K)	B	37.0/95.4
R4051	7030005120	S.RES ERJ2GEJ 102 X (1K)	T	33.8/84.8
R4052	7030005220	S.RES ERJ2GEJ 223 X (22K)	T	31.3/88.7
R4053	7030005050	S.RES ERJ2GEJ 103 X (10K)	T	32.7/92.2
R4054	7030004970	S.RES ERJ2GEJ 470 X (47)	T	34.7/88.7
R4055	7030007340	S.RES ERJ2GEJ 153 X (15K)	T	31.3/92.7
R4056	7030004970	S.RES ERJ2GEJ 470 X (47)	T	34.7/92.1
R4101	7030005120	S.RES ERJ2GEJ 102 X (1K)	B	33.1/96.7
R4102	7030005000	S.RES ERJ2GEJ 471 X (470)	B	38.2/112.2
R4103	7030005120	S.RES ERJ2GEJ 102 X (1K)	B	32.1/98.3
R4104	7030005120	S.RES ERJ2GEJ 102 X (1K)	B	34.9/109.7
R4105	7030005220	S.RES ERJ2GEJ 223 X (22K)	T	33.0/108.2
R4151	7030005120	S.RES ERJ2GEJ 102 X (1K)	T	44.7/96.7
R4152	7030005120	S.RES ERJ2GEJ 102 X (1K)	T	44.9/105.5
R4153	7030000010	S.RES MCR10EZHJ JPW (000)	B	35.4/111.7
R4202	7030005120	S.RES ERJ2GEJ 102 X (1K)	T	32.6/114.0
R4203	7030007300	S.RES ERJ2GEJ 332 X (3.3K)	T	41.4/115.1
R4204	7030005240	S.RES ERJ2GEJ 473 X (47K)	T	39.3/114.6
R4205	7030005050	S.RES ERJ2GEJ 103 X (10K)	T	41.3/118.4
R4206	7030005600	S.RES ERJ2GEJ 273 X (27K)	T	41.4/117.5
R4207	7030004970	S.RES ERJ2GEJ 470 X (47)	B	44.1/114.9
R4209	7030007250	S.RES ERJ2GEJ 220 X (22)	T	47.6/113.7
R4210	7030005120	S.RES ERJ2GEJ 102 X (1K)	T	48.1/118.7
R4211	7030005120	S.RES ERJ2GEJ 102 X (1K)	B	51.5/122.7
R4212	7030005090	S.RES ERJ2GEJ 104 X (100K)	T	39.7/116.5
R4213	7030005090	S.RES ERJ2GEJ 104 X (100K)	T	46.3/113.4
R4215	7030005530	S.RES ERJ2GEJ 100 X (100)	B	41.5/118.0
R4251	7030005120	S.RES ERJ2GEJ 102 X (1K)	T	31.7/119.4
R4252	7030005050	S.RES ERJ2GEJ 103 X (10K)	B	42.0/123.8
R4253	7030007280	S.RES ERJ2GEJ 331 X (330)	T	41.1/124.4
R4254	7030005070	S.RES ERJ2GEJ 683 X (68K)	B	42.6/126.3
R4255	7030004980	S.RES ERJ2GEJ 101 X (100)	B	46.0/122.5
R4256	7030008400	S.RES ERJ2GEJ 182 X (1.8K)	T	44.8/124.6
R4258	7030005050	S.RES ERJ2GEJ 103 X (10K)	T	43.0/124.6
R4259	7030005120	S.RES ERJ2GEJ 102 X (1K)	T	47.8/122.5
R4260	7030005060	S.RES ERJ2GEJ 333 X (33K)	T	45.7/123.0
R4261	7510001441	S.THE NTCG16 3NH 221JT	B	42.3/137.3
R4301	7030004970	S.RES ERJ2GEJ 470 X (47)	T	44.2/137.1
R4302	7030007270	S.RES ERJ2GEJ 151 X (150)	B	65.8/126.9
R4303	7030009200	S.RES ERJ2GEJ 390 X (39)	B	65.4/125.7
R4304	7030007270	S.RES ERJ2GEJ 151 X (150)	B	64.5/126.6
R4351	7030004980	S.RES ERJ2GEJ 101 X (100)	T	35.1/154.2
R4352	7030005240	S.RES ERJ2GEJ 473 X (47K)	B	40.1/154.7
R4353	7030005240	S.RES ERJ2GEJ 473 X (47K)	B	37.0/155.3
R4354	7030005240	S.RES ERJ2GEJ 473 X (47K)	B	39.2/154.7
R4355	7030005040	S.RES ERJ2GEJ 472 X (4.7K)	B	35.6/154.5
R4356	7030005040	S.RES ERJ2GEJ 472 X (4.7K)	B	36.1/155.8
R4401	7030005070	S.RES ERJ2GEJ 683 X (68K)	B	34.1/168.7
R4402	7030004990	S.RES ERJ2GEJ 221 X (220)	B	33.6/161.6
R4403	7030007290	S.RES ERJ2GEJ 222 X (2.2K)	B	35.2/160.7
R4404	7030005000	S.RES ERJ2GEJ 471 X (470)	B	39.2/166.1
R4405	7030007290	S.RES ERJ2GEJ 222 X (2.2K)	B	38.2/168.4
R4406	7030005050	S.RES ERJ2GEJ 103 X (10K)	B	38.2/170.1
R4408	7030005060	S.RES ERJ2GEJ 333 X (33K)	B	41.7/170.1
R4411	7510001441	S.THE NTCG16 3NH 221JT	B	33.8/169.8
R4501	7030005600	S.RES ERJ2GEJ 273 X (27K)	T	38.9/158.1
R4502	7030005030	S.RES ERJ2GEJ 152 X (1.5K)	B	37.7/158.2
R4503	7030005050	S.RES ERJ2GEJ 103 X (10K)	B	37.1/161.1
R4504	7030005240	S.RES ERJ2GEJ 473 X (47K)	T	39.8/158.1
R4505	7030004970	S.RES ERJ2GEJ 470 X (47)	B	39.9/158.0
R4506	7030007250	S.RES ERJ2GEJ 220 X (22)	T	40.9/160.7
R4507	7030005030	S.RES ERJ2GEJ 152 X (1.5K)	B	39.3/162.0
R4508	7030005240	S.RES ERJ2GEJ 473 X (47K)	B	46.4/156.5
R4509	7030005240	S.RES ERJ2GEJ 473 X (47K)	B	48.2/157.4
R4510	7030005240	S.RES ERJ2GEJ 473 X (47K)	B	47.3/157.4
R4511	7030005040	S.RES ERJ2GEJ 472 X (4.7K)	B	45.2/156.9
R4512	7030005040	S.RES ERJ2GEJ 472 X (4.7K)	B	45.7/158.1
R4513	7030004980	S.RES ERJ2GEJ 101 X (100)	T	45.1/157.6
R4514	7030009160	S.RES ERJ2GEJ 181 X (180)	B	50.6/161.2
R4515	7030005120	S.RES ERJ2GEJ 102 X (1K)	T	46.1/169.4
R4516	7030004980	S.RES ERJ2GEJ 101 X (100)	T	50.5/171.5
R4517	7030005240	S.RES ERJ2GEJ 473 X (47K)	B	48.5/173.7
R4518	7030005240	S.RES ERJ2GEJ 473 X (47K)	B	46.9/172.4
R4520	7030005040	S.RES ERJ2GEJ 472 X (4.7K)	B	50.4/171.5
R4521	7030005040	S.RES ERJ2GEJ 472 X (4.7K)	B	52.9/171.9
R4522	7030005040	S.RES ERJ2GEJ 472 X (4.7K)	B	55.0/159.5
R4523	7030005050	S.RES ERJ2GEJ 103 X (10K)	B	58.2/157.6
R4524	7030005050	S.RES ERJ2GEJ 103 X (10K)	B	56.6/157.6
R4525	7030007340	S.RES ERJ2GEJ 153 X (15K)	B	56.9/159.5
R4526	7030007340	S.RES ERJ2GEJ 153 X (15K)	B	58.1/159.5
R4527	7030004980	S.RES ERJ2GEJ 101 X (100)	B	59.8/158.6
R4528	7030004980	S.RES ERJ2GEJ 101 X (100)	T	59.7/154.0

Eqv.= This component is equivalent to the REF No. component listed above, and may be substituted on parts orders and repairs.

[MAIN UNIT]

REF NO.	PARTS NO.	DESCRIPTION	M.	H/V LOCATION
R4531	7030005040	S.RES ERJ2GEJ 472 X (4.7K)	B	59.4/146.6
R4532	7030005040	S.RES ERJ2GEJ 472 X (4.7K)	B	61.0/146.6
R4533	7030005240	S.RES ERJ2GEJ 473 X (47K)	B	59.7/150.1
R4534	7030004980	S.RES ERJ2GEJ 101 X (100)	T	59.4/148.1
R4601	7030005040	S.RES ERJ2GEJ 472 X (4.7K)	T	59.3/145.1
R4602	7030005600	S.RES ERJ2GEJ 273 X (27K)	T	58.0/144.7
R4603	7030007250	S.RES ERJ2GEJ 220 X (22)	T	53.6/146.6
R4604	7030007280	S.RES ERJ2GEJ 331 X (330)	T	56.7/144.3
R4605	7030005120	S.RES ERJ2GEJ 102 X (1K)	B	52.7/151.6
R4606	7030008410	S.RES ERJ2GEJ 392 X (3.9K)	B	51.4/155.3
R4608	7030007280	S.RES ERJ2GEJ 331 X (330)	T	46.7/150.9
R4609	7030004980	S.RES ERJ2GEJ 101 X (100)	B	54.9/147.3
R4610	7030005050	S.RES ERJ2GEJ 103 X (10K)	B	54.5/153.7
R4611	7030005010	S.RES ERJ2GEJ 681 X (680)	B	51.0/148.5
R4612	7030008290	S.RES ERJ2GEJ 183 X (18K)	B	56.2/153.5
R4614	7030005050	S.RES ERJ2GEJ 103 X (10K)	B	57.5/154.0
R4615	7030004980	S.RES ERJ2GEJ 101 X (100)	B	59.1/152.6
R4701	7030005220	S.RES ERJ2GEJ 223 X (22K)	T	24.5/102.5
R4702	7030005220	S.RES ERJ2GEJ 223 X (22K)	T	24.5/100.5
R4703	7030005040	S.RES ERJ2GEJ 472 X (4.7K)	T	27.3/103.6
R5001	7030007250	S.RES ERJ2GEJ 220 X (22)	T	144.2/126.7
R5002	7030007250	S.RES ERJ2GEJ 220 X (22)	T	144.2/129.4
R5003	7030007250	S.RES ERJ2GEJ 220 X (22)	T	144.2/133.9
R5004	7030007250	S.RES ERJ2GEJ 220 X (22)	T	144.2/134.8
R5006	7030005240	S.RES ERJ2GEJ 473 X (47K)	B	146.4/136.9
R5007	7410001240	S.ARR EXB28V20JX	B	146.3/135.1
R5008	7030007250	S.RES ERJ2GEJ 220 X (22)	B	143.9/143.5
R5009	7030007250	S.RES ERJ2GEJ 220 X (22)	B	143.0/143.5
R5010	7030005040	S.RES ERJ2GEJ 472 X (4.7K)	T	144.2/127.6
R5011	7030008290	S.RES ERJ2GEJ 183 X (18K)	T	144.2/128.1
R5012	7030005040	S.RES ERJ2GEJ 472 X (4.7K)	T	144.2/132.5
R5013	7030005040	S.RES ERJ2GEJ 472 X (4.7K)	T	144.2/133.0
R5014	7030008290	S.RES ERJ2GEJ 183 X (18K)	T	144.2/136.6
R5015	7030005040	S.RES ERJ2GEJ 472 X (4.7K)	T	144.2/135.7
R5018	7030005120	S.RES ERJ2GEJ 102 X (1K)	T	144.2/131.2
R5019	7030008290	S.RES ERJ2GEJ 183 X (18K)	T	144.2/138.4
R5021	7030005120	S.RES ERJ2GEJ 102 X (1K)	T	144.2/137.5
R5026	7410001230	S.ARR EXB28V101JX	T	111.6/133.5
R5027	7410001230	S.ARR EXB28V101JX	T	111.9/136.9
R5028	7030004980	S.RES ERJ2GEJ 101 X (100)	T	111.9/139.4
R5029	7410001230	S.ARR EXB28V101JX	B	118.3/141.9
R5036	7030005120	S.RES ERJ2GEJ 102 X (1K)	T	123.3/123.4
R5037	7030007250	S.RES ERJ2GEJ 220 X (22)	T	131.7/123.4
R5038	7030007250	S.RES ERJ2GEJ 220 X (22)	T	132.6/123.4
R5039	7030007250	S.RES ERJ2GEJ 220 X (22)	T	133.8/123.4
R5040	7030007250	S.RES ERJ2GEJ 220 X (22)	T	138.3/123.4
R5041	7030007250	S.RES ERJ2GEJ 220 X (22)	T	139.2/123.4
R5051	7030005050	S.RES ERJ2GEJ 103 X (10K)	T	126.9/116.3
R5052	7030005120	S.RES ERJ2GEJ 102 X (1K)	T	125.3/118.6
R5053	7030005240	S.RES ERJ2GEJ 473 X (47K)	T	125.7/113.6
R5054	7030007340	S.RES ERJ2GEJ 153 X (15K)	T	127.4/114.3
R5055	7030004980	S.RES ERJ2GEJ 101 X (100)	B	120.6/115.8
R5057	7030000010	S.RES MCR10EZHJ JPW (000)	B	107.4/152.6
R5062	7030005050	S.RES ERJ2GEJ 103 X (10K)	B	126.7/150.8
R5071	7030004970	S.RES ERJ2GEJ 470 X (47)	T	92.7/155.0
R5074	7030004970	S.RES ERJ2GEJ 470 X (47)	B	96.2/152.0
R5075	7410001170	S.ARR EXB28V470JX	B	96.2/150.3
R5076	7410001170	S.ARR EXB28V470JX	T	104.4/151.0
R5081	7030004980	S.RES ERJ2GEJ 101 X (100)	T	91.2/165.8
R5082	7030004980	S.RES ERJ2GEJ 101 X (100)	T	77.6/163.8
R5083	7030004980	S.RES ERJ2GEJ 101 X (100)	T	69.1/165.4
R5084	7030005040	S.RES ERJ2GEJ 472 X (4.7K)	T	65.3/156.7
R5085	7030005040	S.RES ERJ2GEJ 472 X (4.7K)	T	65.3/158.4
R5091	7030005120	S.RES ERJ2GEJ 102 X (1K)	B	93.4/158.2
R5092	7030005050	S.RES ERJ2GEJ 103 X (10K)	B	94.0/161.2
R5093	7030007350	S.RES ERJ2GEJ 393 X (39K)	B	92.9/162.5
R5094	7030005100	S.RES ERJ2GEJ 154 X (150K)	B	92.9/163.4
R5095	7030005000	S.RES ERJ2GEJ 471 X (470)	B	90.8/164.5
R5096	7030005000	S.RES ERJ2GEJ 471 X (470)	B	95.1/160.8
R5097	7030007350	S.RES ERJ2GEJ 393 X (39K)	B	96.0/159.3
R5098	703000509			

[MAIN UNIT]

REF NO.	PARTS NO.	DESCRIPTION	M.	H/V LOCATION
R5171	7030007300	S.RES ERJ2GEJ 332 X (3.3K)	B	74.7/153.5
R5172	7030007300	S.RES ERJ2GEJ 332 X (3.3K)	B	75.2/152.2
R5173	7030007300	S.RES ERJ2GEJ 332 X (3.3K)	B	78.2/154.8
R5174	7030007300	S.RES ERJ2GEJ 332 X (3.3K)	B	78.2/153.4
R5175	7030007290	S.RES ERJ2GEJ 222 X (2.2K)	B	79.8/154.8
R5176	7030004980	S.RES ERJ2GEJ 101 X (100)	B	81.0/155.3
R5177	7030007290	S.RES ERJ2GEJ 222 X (2.2K)	B	79.8/153.4
R5178	7030004980	S.RES ERJ2GEJ 101 X (100)	B	81.1/152.9
R5191	7030007300	S.RES ERJ2GEJ 332 X (3.3K)	B	73.5/146.5
R5192	7030007300	S.RES ERJ2GEJ 332 X (3.3K)	B	74.6/144.8
R5193	7030007300	S.RES ERJ2GEJ 332 X (3.3K)	B	77.6/146.5
R5194	7030007300	S.RES ERJ2GEJ 332 X (3.3K)	B	77.6/144.8
R5195	7030007290	S.RES ERJ2GEJ 222 X (2.2K)	B	79.5/146.5
R5196	7030004980	S.RES ERJ2GEJ 101 X (100)	B	80.7/146.9
R5197	7030007290	S.RES ERJ2GEJ 222 X (2.2K)	B	78.8/145.3
R5198	7030004980	S.RES ERJ2GEJ 101 X (100)	B	81.2/145.3
R5211	7030005210	S.RES ERJ2GEJ 822 X (8.2K)	B	68.6/158.7
R5212	7030005240	S.RES ERJ2GEJ 473 X (47K)	B	68.5/156.4
R5213	7030005240	S.RES ERJ2GEJ 473 X (47K)	B	67.4/156.4
R5214	7030005240	S.RES ERJ2GEJ 473 X (47K)	T	69.7/155.9
R5215	7030005040	S.RES ERJ2GEJ 472 X (4.7K)	B	70.0/155.2
R5216	7030005040	S.RES ERJ2GEJ 472 X (4.7K)	B	69.5/156.4
R5217	7030005210	S.RES ERJ2GEJ 822 X (8.2K)	T	66.2/152.4
R5218	7030005240	S.RES ERJ2GEJ 473 X (47K)	B	68.9/150.0
R5219	7030005240	S.RES ERJ2GEJ 473 X (47K)	T	69.7/150.9
R5220	7030005240	S.RES ERJ2GEJ 473 X (47K)	B	67.7/146.1
R5221	7030005240	S.RES ERJ2GEJ 473 X (47K)	T	69.7/146.2
R5223	7030010040	S.RES ERJ2GEJ-JPW	T	61.5/170.8
R5501	7410001140	S.ARR EXB28V104JX	T	132.7/113.3
R5506	7030005090	S.RES ERJ2GEJ 104 X (100K)	T	117.3/105.2
R5507	7030005090	S.RES ERJ2GEJ 104 X (100K)	T	119.6/103.8
R5508	7030005090	S.RES ERJ2GEJ 104 X (100K)	T	121.7/110.1
R5509	7030005090	S.RES ERJ2GEJ 104 X (100K)	T	123.0/109.7
R5514	7030005090	S.RES ERJ2GEJ 104 X (100K)	T	118.4/97.0
R5515	7030005090	S.RES ERJ2GEJ 104 X (100K)	T	118.4/98.8
R5516	7030005090	S.RES ERJ2GEJ 104 X (100K)	T	137.7/100.0
R5518	7030005240	S.RES ERJ2GEJ 473 X (47K)	T	124.7/88.6
R5519	7410001140	S.ARR EXB28V104JX	T	139.7/105.2
R5520	7030005090	S.RES ERJ2GEJ 104 X (100K)	T	138.6/107.9
R5522	7030005090	S.RES ERJ2GEJ 104 X (100K)	T	138.6/107.0
R5527	7030005090	S.RES ERJ2GEJ 104 X (100K)	T	137.7/97.3
R5529	7030005090	S.RES ERJ2GEJ 104 X (100K)	T	125.0/89.9
R5531	7030007250	S.RES ERJ2GEJ 220 X (22)	T	137.7/102.7
R5532	7030007250	S.RES ERJ2GEJ 220 X (22)	T	137.7/101.8
R5533	7030005530	S.RES ERJ2GEJ 100 X (10)	T	137.7/95.5
R5534	7030005050	S.RES ERJ2GEJ 103 X (10K)	T	129.7/109.2
R5535	7030005530	S.RES ERJ2GEJ 100 X (10)	T	137.7/93.7
R5536	7030005240	S.RES ERJ2GEJ 473 X (47K)	T	140.7/93.2
R5537	7030005240	S.RES ERJ2GEJ 473 X (47K)	T	142.2/94.4
R5538	7030005090	S.RES ERJ2GEJ 104 X (100K)	T	137.7/99.1
R5539	7410001140	S.ARR EXB28V104JX	T	135.8/112.3
R5540	7030005090	S.RES ERJ2GEJ 104 X (100K)	T	137.7/96.4
R5541	7030005040	S.RES ERJ2GEJ 472 X (4.7K)	T	132.6/89.9
R5543	7030005040	S.RES ERJ2GEJ 472 X (4.7K)	T	137.7/92.8
R5545	7030005040	S.RES ERJ2GEJ 472 X (4.7K)	T	137.7/103.6
R5547	7030005090	S.RES ERJ2GEJ 104 X (100K)	T	139.4/101.8
R5548	7030005090	S.RES ERJ2GEJ 104 X (100K)	T	138.9/103.1
R5549	7030005240	S.RES ERJ2GEJ 473 X (47K)	T	143.5/92.4
R5550	7030005240	S.RES ERJ2GEJ 473 X (47K)	T	143.5/93.6
R5551	7030007250	S.RES ERJ2GEJ 220 X (22)	T	137.7/100.9
R5552	7030005530	S.RES ERJ2GEJ 100 X (10)	T	137.7/94.6
R5553	7030005530	S.RES ERJ2GEJ 100 X (10)	T	137.7/91.9
R5554	7410001240	S.ARR EXB28V220JX	T	135.8/109.4
R5555	7410001240	S.ARR EXB28V220JX	T	132.7/109.4
R5556	7030007250	S.RES ERJ2GEJ 220 X (22)	T	124.1/89.9
R5558	7030004980	S.RES ERJ2GEJ 101 X (100)	B	117.1/42.4
R5559	7030004980	S.RES ERJ2GEJ 101 X (100)	B	116.1/42.4
R5571	7030005120	S.RES ERJ2GEJ 102 X (1K)	T	129.5/89.9
R5572	7030005120	S.RES ERJ2GEJ 102 X (1K)	T	128.6/89.9
R5573	7030005120	S.RES ERJ2GEJ 102 X (1K)	T	127.7/89.9
R5574	7030005120	S.RES ERJ2GEJ 102 X (1K)	T	126.8/89.9
R5575	7030005120	S.RES ERJ2GEJ 102 X (1K)	T	125.9/89.9
R5576	7030005120	S.RES ERJ2GEJ 102 X (1K)	T	131.7/89.9
R6102	7030005120	S.RES ERJ2GEJ 102 X (1K)	B	84.1/31.2
R6103	7030005120	S.RES ERJ2GEJ 102 X (1K)	B	83.7/36.1
R6104	7030005000	S.RES ERJ2GEJ 471 X (470)	T	149.7/63.2
R6105	7030008290	S.RES ERJ2GEJ 183 X (18K)	T	100.2/76.1
R6106	7030008010	S.RES ERJ2GEJ 123 X (12K)	T	102.8/74.3
R6107	7030005050	S.RES ERJ2GEJ 103 X (10K)	T	101.1/76.1
R6108	7030005240	S.RES ERJ2GEJ 473 X (47K)	T	105.2/75.8
R6109	7030005160	S.RES ERJ2GEJ 105 X (1M)	B	82.8/33.9
R6110	7030005050	S.RES ERJ2GEJ 103 X (10K)	T	152.0/62.3
R6111	7030005120	S.RES ERJ2GEJ 102 X (1K)	T	116.9/72.5
R6113	7030005240	S.RES ERJ2GEJ 473 X (47K)	T	114.6/64.1
R6114	7030005240	S.RES ERJ2GEJ 473 X (47K)	T	118.1/72.9
R6115	7030005240	S.RES ERJ2GEJ 473 X (47K)	B	85.5/29.2
R6116	7030005240	S.RES ERJ2GEJ 473 X (47K)	T	114.6/59.6
R6117	7030005240	S.RES ERJ2GEJ 473 X (47K)	B	110.3/88.2
R6118	7030005090	S.RES ERJ2GEJ 104 X (100K)	T	109.1/73.8
R6119	7030005240	S.RES ERJ2GEJ 473 X (47K)	B	110.5/84.0
R6120	7030005050	S.RES ERJ2GEJ 103 X (10K)	B	142.7/65.7
R6121	7030005060	S.RES ERJ2GEJ 333 X (33K)	T	114.9/73.8
R6122	7030005720	S.RES ERJ2GEJ 563 X (56K)	T	116.9/73.4
R6123	7030005240	S.RES ERJ2GEJ 473 X (47K)	T	124.1/80.6
R6125	7030005240	S.RES ERJ2GEJ 473 X (47K)	B	88.5/33.0
R6126	7030005240	S.RES ERJ2GEJ 473 X (47K)	B	88.5/34.3
R6201	7030004970	S.RES ERJ2GEJ 470 X (47)	T	138.8/77.9
R6202	7030005050	S.RES ERJ2GEJ 103 X (10K)	T	141.2/44.2
R6203	7030005090	S.RES ERJ2GEJ 104 X (100K)	T	138.7/44.2
R6204	7030005040	S.RES ERJ2GEJ 472 X (4.7K)	T	136.5/46.0
R6205	7030005240	S.RES ERJ2GEJ 473 X (47K)	T	136.5/46.9
R6206	7030005240	S.RES ERJ2GEJ 473 X (47K)	T	136.5/47.3
R6207	7030005040	S.RES ERJ2GEJ 472 X (4.7K)	B	129.8/53.8
R6208	7030005240	S.RES ERJ2GEJ 473 X (47K)	B	129.8/54.2
R6211	7030004980	S.RES ERJ2GEJ 101 X (100)	T	116.9/76.0

Eqv.= This component is equivalent to the REF No. component listed above, and may be substituted on parts orders and repairs.

[MAIN UNIT]

REF NO.	PARTS NO.	DESCRIPTION	M.	H/V LOCATION
R6301	7410001140	S.ARR EXB28V104JX	T	108.4/56.7
R6402	7030005050	S.RES ERJ2GEJ 103 X (10K)	T	116.5/67.1
R6501	7410001220	S.ARR EXB28V103JX	T	146.3/80.3
R6502	7410001220	S.ARR EXB28V103JX	T	148.8/80.3
R6503	7410001220	S.ARR EXB28V103JX	T	99.9/45.8
R6504	7410001220	S.ARR EXB28V103JX	T	102.4/45.8
R6505	7030005250	S.RES ERJ2GEJ 103 X (10K)	T	144.5/79.6
R6601	7030005240	S.RES ERJ2GEJ 473 X (47K)	T	107.8/86.6
R6602	7030005120	S.RES ERJ2GEJ 102 X (1K)	B	109.3/86.4
R6603	7030005240	S.RES ERJ2GEJ 473 X (47K)	T	126.8/81.5
R6604	7030005240	S.RES ERJ2GEJ 473 X (47K)	T	88.0/49.9
R6605	7030005240	S.RES ERJ2GEJ 473 X (47K)	T	88.9/49.9
R6606	7030005120	S.RES ERJ2GEJ 102 X (1K)	T	90.2/49.6
R6701	7030005120	S.RES ERJ2GEJ 102 X (1K)	T	107.8/108.2
R6702	7030005120	S.RES ERJ2GEJ 102 X (1K)	B	112.0/104.1
R6703	7030005120	S.RES ERJ2GEJ 102 X (1K)	T	144.8/75.6
R6704	7030005120	S.RES ERJ2GEJ 102 X (1K)	T	107.8/98.2
R6705	7030005120	S.RES ERJ2GEJ 102 X (1K)	T	107.8/95.7
R6706	7030005120	S.RES ERJ2GEJ 102 X (1K)	T	107.8/93.2
R6707	7030005120	S.RES ERJ2GEJ 102 X (1K)	T	107.8/90.7
R6708	7030005120	S.RES ERJ2GEJ 102 X (1K)	T	107.8/100.7
R6709	7030005120	S.RES ERJ2GEJ 102 X (1K)	T	107.8/103.2
R6710	7030005120	S.RES ERJ2GEJ 102 X (1K)	T	107.8/105.7
R6711	7030007290	S.RES ERJ2GEJ 222 X (2.2K)	T	146.6/75.6
R6712	7030005090	S.RES ERJ2GEJ 104 X (100K)	T	107.8/111.0
R6713	7030005240	S.RES ERJ2GEJ 473 X (47K)	T	110.1/110.5
R6714	7030005240	S.RES ERJ2GEJ 473 X (47K)	T	108.8/110.7
R6715	7030005120	S.RES ERJ2GEJ 102 X (1K)	B	109.1/88.7
R6716	7030005120	S.RES ERJ2GEJ 102 X (1K)	B	109.6/84.0
R6717	7030004980	S.RES ERJ2GEJ 101 X (100)	T	139.2/66.3
R6718	7030005120	S.RES ERJ2GEJ 102 X (1K)	T	139.2/63.4
R6719	7030004980	S.RES ERJ2GEJ 101 X (100)	T	139.2/65.4
R6720	7030005120	S.RES ERJ2GEJ 102 X (1K)	T	136.3/79.7
R6721	7030004980	S.RES ERJ2GEJ 101 X (100)	T	144.4/67.2
R6722	7030005120	S.RES ERJ2GEJ 102 X (1K)	T	142.4/65.7
R6723	7030007250	S.RES ERJ2GEJ 220 X (22)	T	135.4/79.7
R6724	7030004980	S.RES ERJ2GEJ 101 X (100)	T	144.4/68.1
R6725	7030004980	S.RES ERJ2GEJ 101 X (100)	T	144.4/66.3
R6726	7030004980	S.RES ERJ2GEJ 101 X (100)	T	131.1/57.4
R6727	7030007250	S.RES ERJ2GEJ 220 X (22)	T	135.6/82.1
R6728	7030007250	S.RES ERJ2GEJ 220 X (22)	T	134.7/82.1
R6729	7030007250	S.RES ERJ2GEJ 220 X (22)	T	133.8/82.1
R6730	7030005120	S.RES ERJ2GEJ 102 X (1K)	T	127.8/81.5
R6731	7030005120	S.RES ERJ2GEJ 102 X (1K)	T	125.9/79.7
R6732	7030005120	S.RES ERJ2GEJ 102 X (1K)	T	112.6/71.4
R6733	7030007250	S.RES ERJ2GEJ 220 X (22)	T	124.9/55.2
R6735	7030007250	S.RES ERJ2GEJ 220 X (22)	T	125.8/55.2
R6736	7030007250	S.RES ERJ2GEJ 220 X (22)	T	125.0/79.7
R6737	7030007250	S.RES ERJ2GEJ 220 X (22)	T	124.5/81.9
R6738	7030007250	S.RES ERJ2GEJ 220 X (22)	T	125.0/58.3
R6739	7030007250	S.RES ERJ2GEJ 220 X (22)	T	125.9/57.8
R6740	7030007250	S.RES ERJ2GEJ 220 X (22)	T	113.2/73.6
R6741	7030007250	S.RES ERJ2GEJ 220 X (22)	T	112.6/68.5
R6742	7030007250	S.RES ERJ2GEJ 220 X (22)	T	112.6/67.6
R6744	7030004980	S.RES ERJ2GEJ 101 X (100)	T	116.9/64.4
R6745	7030005120	S.RES ERJ2GEJ 102 X (1K)	T	116.9/60.8
R6746	7030005120	S.RES ERJ2GEJ 102 X (1K)	T	116.9/61.7
R6747	7030005120	S.RES ERJ2GEJ 102 X (1K)	T	116.9/63.5
R6748	7030005120	S.RES ERJ2GEJ 102 X (1K)	T	116.9/70.7
R6749	7030005120	S.RES ERJ2GEJ 102 X (1K)	T	116.9/62.6
R6750	7030005120	S.RES ERJ2GEJ 102 X (1K)	T	123.6/57.4
R6751	7030005120	S.RES ERJ2GEJ 102 X (1K)	T	112.6/70.4
R6752	7030005120	S.RES ERJ2GEJ 102 X (1K)	T	118.6/79.7
R6753	7030007250	S.RES ERJ2GEJ 220 X (22)	T	116.9/68.9
R6754	7030007250	S.RES ERJ2GEJ 220 X (22)	T	116.8/77.2
R6755	7030007250	S.RES ERJ2GEJ 220 X (22)	T	116.9/65.3
R6756	7030007250	S.RES ERJ2GEJ 220 X (22)	T	116.9/71.6
R6757	7030007250	S.RES ERJ2GEJ 220 X (22)	T	116.9/74.5
R6758	7030007250	S.RES ERJ2GEJ 220 X (22)	T	122.7/54.8
R6759	7030007250	S.RES ERJ2GEJ 220 X (22)	T	112.6/66.6
R6760	7030007250	S.RES ERJ2GEJ 220 X		

[MAIN UNIT]

REF NO.	PARTS NO.	DESCRIPTION	M.	H/V LOCATION
R6815	7030005120	S.RES ERJ2GEJ 102 X (1K)	T	98.2/45.8
R6820	7030005240	S.RES ERJ2GEJ 473 X (47K)	T	109.8/49.5
R6821	7030005240	S.RES ERJ2GEJ 473 X (47K)	T	109.8/50.4
R6822	7030005240	S.RES ERJ2GEJ 473 X (47K)	T	109.8/53.1
R6823	7030005240	S.RES ERJ2GEJ 473 X (47K)	T	109.8/54.1
R6824	7030005050	S.RES ERJ2GEJ 103 X (10K)	T	151.3/63.2
R6828	7410001140	S.ARR EXB28V104JX	T	109.3/59.2
R6829	7030005090	S.RES ERJ2GEJ 104 X (100K)	T	115.7/69.3
R6830	7030005090	S.RES ERJ2GEJ 104 X (100K)	T	134.7/83.7
R6831	7030005090	S.RES ERJ2GEJ 104 X (100K)	T	133.8/83.7
R6832	7030005090	S.RES ERJ2GEJ 104 X (100K)	T	140.9/68.1
R6833	7030005120	S.RES ERJ2GEJ 102 X (1K)	T	139.2/67.2
R7009	7410001230	S.ARR EXB28V101JX	T	17.7/111.0
R7010	7410001230	S.ARR EXB28V101JX	T	25.8/114.5
R7011	7410001230	S.ARR EXB28V101JX	T	85.5/36.1
R7012	7410001230	S.ARR EXB28V101JX	T	85.5/33.6
R7013	7410001230	S.ARR EXB28V101JX	T	85.5/43.5
R7014	7410001230	S.ARR EXB28V101JX	T	85.5/41.0
R7015	7410001230	S.ARR EXB28V101JX	B	18.2/96.1
R7016	7410001230	S.ARR EXB28V101JX	B	18.2/99.1
R7017	7410001230	S.ARR EXB28V101JX	B	23.9/103.3
R7018	7410001230	S.ARR EXB28V101JX	T	144.2/165.9
R7020	7410001230	S.ARR EXB28V101JX	T	151.4/165.9
R7021	7410001230	S.ARR EXB28V101JX	T	148.8/165.9
R7025	7030005720	S.RES ERJ2GEJ 563 X (56K)	T	147.3/64.5
R7026	7030005240	S.RES ERJ2GEJ 473 X (47K)	T	148.2/65.4
R7027	7030005240	S.RES ERJ2GEJ 473 X (47K)	T	97.5/37.9
C1	4030016790	S.CER C1005 JB 1E 103K-T	T	29.7/195.6
C2	4030019990	S.CER C1005 JB 1C 104K-T	T	20.5/91.5
C3	4030019990	S.CER C1005 JB 1C 104K-T	B	17.8/109.6
C11	4030017400	S.CER C1005 CH 1H 220J-T	T	71.7/200.0
C12	4030017400	S.CER C1005 CH 1H 220J-T	T	64.6/201.0
C13	4030019990	S.CER C1005 JB 1C 104K-T	T	73.1/196.4
C14	4030019990	S.CER C1005 JB 1C 104K-T	T	70.2/193.4
C15	4030019990	S.CER C1005 JB 1C 104K-T	T	73.1/197.7
C16	4030019990	S.CER C1005 JB 1C 104K-T	T	73.1/198.6
C17	4030019990	S.CER C1005 JB 1C 104K-T	T	63.9/195.3
C31	4030016790	S.CER C1005 JB 1E 103K-T	T	36.7/193.2
C32	4030016790	S.CER C1005 JB 1E 103K-T	T	54.7/188.1
C33	4030016790	S.CER C1005 JB 1E 103K-T	T	51.3/187.6
C34	4030016790	S.CER C1005 JB 1E 103K-T	T	53.8/186.3
C35	4030016790	S.CER C1005 JB 1E 103K-T	T	48.1/187.6
C36	4030017460	S.CER C1005 JB 1H 102K-T	T	57.4/188.1
C37	4030016790	S.CER C1005 JB 1E 103K-T	T	56.3/188.1
C38	4030016790	S.CER C1005 JB 1E 103K-T	T	58.5/188.1
C39	4030016790	S.CER C1005 JB 1E 103K-T	T	37.8/197.7
C40	4030016790	S.CER C1005 JB 1E 103K-T	T	44.9/190.9
C41	4030016790	S.CER C1005 JB 1E 103K-T	T	37.8/196.8
C42	4030016790	S.CER C1005 JB 1E 103K-T	T	37.8/195.9
C51	4030019990	S.CER C1005 JB 1C 104K-T	T	30.8/185.6
C52	4030019560	S.CER GRM21BB31C106KE15L	T	23.7/186.1
C54	4030019120	S.CER GRM188B31E105KA75D	T	17.3/185.8
C61	4030019620	S.CER GRM188B31C225KE14D	B	57.5/186.9
C62	4030019620	S.CER GRM188B31C225KE14D	B	56.2/186.9
C71	4030019990	S.CER C1005 JB 1C 104K-T	T	39.1/180.6
C72	4030019990	S.CER C1005 JB 1C 104K-T	B	35.3/176.1
C91	4030016790	S.CER C1005 JB 1E 103K-T	B	50.8/181.4
C101	4030016790	S.CER C1005 JB 1E 103K-T	B	45.9/181.2
C111	4030017460	S.CER C1005 JB 1H 102K-T	T	92.9/197.0
C112	4030016790	S.CER C1005 JB 1E 103K-T	T	96.0/197.8
C113	4030016790	S.CER C1005 JB 1E 103K-T	T	85.9/197.8
C114	4030016790	S.CER C1005 JB 1E 103K-T	T	88.5/196.7
C115	4030017460	S.CER C1005 JB 1H 102K-T	T	90.4/197.0
C121	4030019120	S.CER GRM188B31E105KA75D	T	93.4/195.3
C122	4030019560	S.CER GRM21BB31C106KE15L	T	86.3/196.6
C123	4030016790	S.CER C1005 JB 1E 103K-T	T	85.8/192.0
C124	4030019560	S.CER GRM21BB31C106KE15L	T	90.4/195.0
C141	4030019560	S.CER GRM21BB31C106KE15L	T	143.7/171.3
C142	4030019560	S.CER GRM21BB31C106KE15L	B	149.9/174.3
C143	4030019620	S.CER GRM188B31C225KE14D	B	151.7/174.1
C144	4510009250	S.ELE EEEFK1C471P	T	148.7/177.6
C145	4030019560	S.CER GRM21BB31C106KE15L	B	147.6/176.7
C146	4030017430	S.CER C1005 CH 1H 101J-T	B	150.4/170.8
C147	4030017460	S.CER C1005 JB 1H 102K-T	B	150.0/168.3
C151	4030017430	S.CER C1005 CH 1H 101J-T	T	22.2/195.6
C154	4030017430	S.CER C1005 CH 1H 101J-T	T	18.6/195.6
C155	4030016790	S.CER C1005 JB 1E 103K-T	T	24.9/196.3
C156	4030016790	S.CER C1005 JB 1E 103K-T	T	16.4/195.6
C157	4030016790	S.CER C1005 JB 1E 103K-T	T	12.0/194.8
C161	4030019120	S.CER GRM188B31E105KA75D	T	15.8/188.8
C164	4030019560	S.CER GRM21BB31C106KE15L	T	15.8/192.1
C171	4030016790	S.CER C1005 JB 1E 103K-T	T	145.8/195.8
C174	4030016790	S.CER C1005 JB 1E 103K-T	T	144.7/194.9
C175	4030016790	S.CER C1005 JB 1E 103K-T	T	151.9/200.3
C176	4030016790	S.CER C1005 JB 1E 103K-T	T	139.6/195.8
C177	4030016790	S.CER C1005 JB 1E 103K-T	T	137.4/197.6
C178	4030017460	S.CER C1005 JB 1H 102K-T	T	137.2/189.6
C179	4030016790	S.CER C1005 JB 1E 103K-T	B	136.0/170.1
C186	4030016790	S.CER C1005 JB 1E 103K-T	T	140.0/187.4
C191	4030016790	S.CER C1005 JB 1E 103K-T	T	121.1/204.3
C192	4030016790	S.CER C1005 JB 1E 103K-T	T	120.8/201.3
C201	4030017430	S.CER C1005 CH 1H 101J-T	T	120.8/199.5
C202	4030019560	S.CER GRM21BB31C106KE15L	T	133.8/198.1
C203	4030019990	S.CER C1005 JB 1C 104K-T	T	132.7/192.6
C211	4510009250	S.ELE EEEFK1C471P	T	137.6/173.7
C222	4030019990	S.CER C1005 JB 1C 104K-T	T	114.3/173.6
C223	4030019560	S.CER GRM21BB31C106KE15L	B	118.5/171.4
C224	4030019620	S.CER GRM188B31C225KE14D	B	114.0/171.0
C225	4030020940	S.CER C1608 CH 1H 392JT	B	116.3/172.4
C226	4030017400	S.CER C1005 CH 1H 220J-T	B	118.9/177.8
C227	4030019120	S.CER GRM188B31E105KA75D	B	114.2/179.8
C228	4030019620	S.CER GRM188B31C225KE14D	B	112.5/176.1
C231	4030020020	S.CER C1005 CH 1H 391J-T	B	116.7/182.6

Eqv.= This component is equivalent to the REF No. component listed above, and may be substituted on parts orders and repairs.

[MAIN UNIT]

REF NO.	PARTS NO.	DESCRIPTION	M.	H/V LOCATION
C232	4030012610	S.CER C2012 JB 1C 474K-T	B	122.9/180.7
C233	4030019990	S.CER C1005 JB 1C 104K-T	B	119.4/182.1
C234	4030019330	S.CER C1608 X7R 1C 224K-T	B	120.7/180.6
C235	4030019330	S.CER C1608 X7R 1C 224K-T	B	129.4/183.0
C241	4510009250	S.ELE EEEFK1C471P	T	138.6/182.5
C251	4030019990	S.CER C1005 JB 1C 104K-T	B	129.3/190.9
C252	4030019120	S.CER GRM188B31E105KA75D	B	131.5/186.1
C253	4510009250	S.ELE EEEFK1C471P	T	125.1/192.2
C261	4030019560	S.CER GRM21BB31C106KE15L	T	134.0/31.3
C262	4030019990	S.CER C1005 JB 1C 104K-T	T	133.4/32.7
C301	4030016790	S.CER C1005 JB 1E 103K-T	B	13.2/89.5
C302	4030016790	S.CER C1005 JB 1E 103K-T	B	13.2/91.7
C303	4030016790	S.CER C1005 JB 1E 103K-T	T	13.0/95.4
C304	4030016790	S.CER C1005 JB 1E 103K-T	T	13.0/96.3
C305	4030016790	S.CER C1005 JB 1E 103K-T	T	13.0/97.2
C306	4030016790	S.CER C1005 JB 1E 103K-T	T	13.0/98.1
C307	4030016790	S.CER C1005 JB 1E 103K-T	T	13.0/99.0
C308	4030016790	S.CER C1005 JB 1E 103K-T	T	13.0/99.9
C309	4030019560	S.CER GRM21BB31C106KE15L	B	15.1/91.8
C310	4030019990	S.CER C1005 JB 1C 104K-T	B	9.5/122.9
C401	4030016790	S.CER C1005 JB 1E 103K-T	T	13.0/102.9
C402	4030016790	S.CER C1005 JB 1E 103K-T	T	13.0/103.9
C403	4030016790	S.CER C1005 JB 1E 103K-T	T	13.0/104.8
C404	4030016790	S.CER C1005 JB 1E 103K-T	T	13.0/105.7
C405	4030016790	S.CER C1005 JB 1E 103K-T	T	13.0/106.6
C406	4030016790	S.CER C1005 JB 1E 103K-T	T	13.0/107.5
C407	4030016790	S.CER C1005 JB 1E 103K-T	T	13.0/108.4
C408	4030016790	S.CER C1005 JB 1E 103K-T	T	13.0/109.3
C409	4030016790	S.CER C1005 JB 1E 103K-T	T	13.0/110.2
C410	4030016790	S.CER C1005 JB 1E 103K-T	T	13.0/111.1
C411	4030016790	S.CER C1005 JB 1E 103K-T	T	13.0/112.0
C412	4030016790	S.CER C1005 JB 1E 103K-T	T	13.0/112.9
C413	4030016790	S.CER C1005 JB 1E 103K-T	T	13.0/113.8
C414	4030016790	S.CER C1005 JB 1E 103K-T	T	13.0/114.7
C415	4030016790	S.CER C1005 JB 1E 103K-T	T	13.0/115.6
C416	4030016790	S.CER C1005 JB 1E 103K-T	T	13.0/116.5
C417	4030016790	S.CER C1005 JB 1E 103K-T	T	13.0/117.4
C418	4030016790	S.CER C1005 JB 1E 103K-T	T	13.0/118.3
C419	4030016790	S.CER C1005 JB 1E 103K-T	T	13.0/119.2
C420	4030016790	S.CER C1005 JB 1E 103K-T	T	12.9/120.1
C421	4030017430	S.CER C1005 CH 1H 101J-T	T	12.9/121.0
C422	4030017430	S.CER C1005 CH 1H 101J-T	T	12.9/121.9
C423	4030016790	S.CER C1005 JB 1E 103K-T	T	13.4/123.3
C424	4030017430	S.CER C1005 CH 1H 101J-T	T	14.0/124.5
C425	4030019990	S.CER C1005 JB 1C 104K-T	B	32.6/92.1
C503	4030017460	S.CER C1005 JB 1H 102K-T	T	120.0/204.3
C511	4030019560	S.CER GRM21BB31C106KE15L	B	54.3/177.9
C512	4030019560	S.CER GRM21BB31C106KE15L	T	95.9/177.1
C513	4030017650	S.CER C1005 CH 1H 270J-T	T	96.3/180.9
C514	4030017650	S.CER C1005 CH 1H 270J-T	T	98.1/181.1
C515	4030019990	S.CER C1005 JB 1C 104K-T	T	96.7/178.8
C516	4030019990	S.CER C1005 JB 1C 104K-T	T	88.7/189.9
C517	4030019990	S.CER C1005 JB 1C 104K-T	T	87.7/188.3
C518	4030019120	S.CER GRM188B31E105KA75D	B	55.9/174.9
C523	4030017400	S.CER C1005 CH 1H 220J-T	B	84.9/185.6
C524	4030017400	S.CER C1005 CH 1H 220J-T	T	83.0/185.6
C525	4030017400	S.CER C1005 CH 1H 220J-T	T	84.3/181.1
C526	4030017400	S.CER C1005 CH 1H 220J-T	T	84.3/179.3
C527	4030017400	S.CER C1005 CH 1H 220J-T	T	90.8/175.9
C528	4030017400	S.CER C1005 CH 1H 220J-T	T	89.0/175.9
C541	4030019120	S.CER GRM188B31E105KA75D	B	66.6/181.4
C542	4030019990	S.CER C1005 JB 1C 104K-T	B	65.2/183.0
C543	4030019120	S.CER GRM188B31E105KA75D	B	62.4/181.9
C561	4030019990	S.CER C1005 JB 1C 104K-T	T	71.0/190.2
C573	4030017620	S.CER C1005 CH 1H 100C-T	T	110.2/202.6
C591	4030019990	S.CER C1005 JB 1C 104K-T	B	88.5/173.7
C592	4030019120	S.CER GRM188B31E105KA75D	B	89.9/171.9
C593	4030019120	S.CER GRM188B31E105KA75D	B	85.6/172.1
C601	4030019120	S.CER GRM188B31E105KA75D	T	85.4/172.3
C602	4030019990	S.CER C1005 JB 1C 104K-T	T	82.3/173.1
C603	4030019560	S.CER GRM21BB31C106		

[MAIN UNIT]

REF NO.	PARTS NO.	DESCRIPTION	M.	H/V LOCATION
C1201	4030020190	S.CER GRM32EB31C476KE15L	T	7.8/157.2
C1203	4030019120	S.CER GRM188B31E105KA75D	T	4.9/150.9
C1206	4030020190	S.CER GRM32EB31C476KE15L	T	14.7/157.2
C1207	4030020190	S.CER GRM32EB31C476KE15L	T	19.1/157.1
C1208	4030017620	S.CER C1005 CH 1H 100C-T	T	18.1/153.0
C1209	4030020190	S.CER GRM32EB31C476KE15L	T	30.5/159.2
C1302	4030019990	S.CER C1005 JB 1C 104K-T	T	10.8/143.2
C1303	4030017390	S.CER C1005 CH 1H 180J-T	T	20.1/149.1
C1304	4030019990	S.CER C1005 JB 1C 104K-T	T	13.9/143.2
C1305	4030017390	S.CER C1005 CH 1H 180J-T	T	20.1/144.3
C1306	4030019990	S.CER C1005 JB 1C 104K-T	T	16.3/143.0
C1403	4030020190	S.CER GRM32EB31C476KE15L	B	36.2/50.1
C1404	4030020190	S.CER GRM32EB31C476KE15L	B	33.2/50.1
C1405	4030019990	S.CER C1005 JB 1C 104K-T	B	32.6/44.0
C1501	4030019560	S.CER GRM21BB31C106KE15L	B	15.2/133.9
C1502	4030019560	S.CER GRM21BB31C106KE15L	B	21.1/134.6
C1503	4030019560	S.CER GRM21BB31C106KE15L	B	15.2/135.7
C1504	4030021490	S.CER GRM188B31A335KE15D	B	16.1/131.6
C1506	4030019990	S.CER C1005 JB 1C 104K-T	B	28.8/131.2
C1507	4030017620	S.CER C1005 CH 1H 100C-T	B	30.5/130.4
C1508	4030019120	S.CER GRM188B31E105KA75D	B	34.7/129.3
C1509	4030019460	S.CER C1608 JB 0J 106M-T	B	34.7/130.5
C1510	4030019460	S.CER C1608 JB 0J 106M-T	B	34.7/131.8
C1513	4030019120	S.CER GRM188B31E105KA75D	B	27.4/136.5
C1514	4030019120	S.CER GRM188B31E105KA75D	B	28.6/136.5
C1517	4030017480	S.CER C1608 JB 1A 474K-T	B	30.7/135.6
C1518	4030017460	S.CER C1005 JB 1H 102K-T	T	26.1/121.2
C1519	4030019990	S.CER C1005 JB 1C 104K-T	T	24.7/126.6
C1520	4030019990	S.CER C1005 JB 1C 104K-T	T	16.0/124.9
C1521	4030016790	S.CER C1005 JB 1E 103K-T	B	28.4/132.4
C2001	4030016790	S.CER C1005 JB 1E 103K-T	T	100.1/140.9
C2002	4030019990	S.CER C1005 JB 1C 104K-T	T	99.7/136.8
C2003	4030017460	S.CER C1005 JB 1H 102K-T	T	96.5/137.7
C2004	4030017600	S.CER C1005 CH 1H 080C-T	B	95.1/138.6
C2006	4030016790	S.CER C1005 JB 1E 103K-T	B	93.6/141.6
C2007	4030016790	S.CER C1005 JB 1E 103K-T	B	92.4/136.8
C2008	4030017460	S.CER C1005 JB 1H 102K-T	T	84.6/137.7
C2009	4030019560	S.CER GRM21BB31C106KE15L	T	78.0/137.1
C2010	4030019990	S.CER C1005 JB 1C 104K-T	T	75.7/136.2
C2011	4030016790	S.CER C1005 JB 1E 103K-T	T	75.7/134.6
C2012	4030019560	S.CER GRM21BB31C106KE15L	T	78.0/133.8
C2013	4030019990	S.CER C1005 JB 1C 104K-T	T	76.6/134.0
C2014	4030019990	S.CER C1005 JB 1C 104K-T	T	81.9/135.9
C2015	4030019990	S.CER C1005 JB 1C 104K-T	B	73.4/136.1
C2016	4030019990	S.CER C1005 JB 1C 104K-T	T	66.4/137.3
C2017	4030019990	S.CER C1005 JB 1C 104K-T	T	68.0/138.2
C2018	4030019570	S.CER C1608 CH 1H 332J-T	T	64.4/137.4
C2020	4030019990	S.CER C1005 JB 1C 104K-T	T	105.4/137.2
C2021	4030019990	S.CER C1005 JB 1C 104K-T	T	79.4/132.0
C2025	4030017420	S.CER C1005 CH 1H 470J-T	B	71.3/138.8
C2026	4030017420	S.CER C1005 CH 1H 470J-T	B	70.4/138.4
C2027	4030017430	S.CER C1005 CH 1H 101J-T	B	69.5/138.8
C2101	4030017400	S.CER C1005 CH 1H 220J-T	B	87.8/136.9
C2102	4030017460	S.CER C1005 JB 1H 102K-T	B	89.0/136.5
C2103	4030017500	S.CER C1005 CH 1H 560J-T	B	87.6/131.3
C2104	4030016790	S.CER C1005 JB 1E 103K-T	B	90.5/133.4
C2105	4030017610	S.CER C1005 CH 1H 090C-T	B	87.1/130.1
C2106	4030017660	S.CER C1005 CH 1H 330J-T	B	89.2/130.4
C2107	4030016790	S.CER C1005 JB 1E 103K-T	B	90.2/132.5
C2108	4030017390	S.CER C1005 CH 1H 180J-T	B	88.0/130.1
C2109	4030017660	S.CER C1005 CH 1H 330J-T	B	91.0/129.0
C2110	4030017390	S.CER C1005 CH 1H 180J-T	B	86.2/130.1
C2111	4030017390	S.CER C1005 CH 1H 180J-T	B	91.0/128.0
C2112	4030017630	S.CER C1005 CH 1H 120J-T	B	80.5/127.8
C2114	4030017420	S.CER C1005 CH 1H 470J-T	B	78.4/127.8
C2115	4030017620	S.CER C1005 CH 1H 100C-T	B	75.3/130.2
C2116	4030016790	S.CER C1005 JB 1E 103K-T	B	73.5/130.1
C2117	4030017570	S.CER C1005 CH 1H 040B-T	B	73.5/126.9
C2118	4030017620	S.CER C1005 CH 1H 100C-T	B	71.1/126.5
C2119	4030017660	S.CER C1005 CH 1H 330J-T	B	70.5/128.9
C2120	4030017400	S.CER C1005 CH 1H 220J-T	B	69.5/126.5
C2121	4030017500	S.CER C1005 CH 1H 560J-T	B	68.6/128.9
C2122	4030017600	S.CER C1005 CH 1H 080C-T	B	67.9/126.5
C2123	4030017670	S.CER C1005 CH 1H 390J-T	B	66.7/126.9
C2124	4030016790	S.CER C1005 JB 1E 103K-T	B	71.6/130.3
C2125	4510009250	S.ELE EEEFK1C471P	T	91.0/131.5
C2126	4030019990	S.CER C1005 JB 1C 104K-T	T	74.0/128.2
C2151	4030017650	S.CER C1005 CH 1H 270J-T	T	95.5/126.2
C2152	4030017640	S.CER C1005 CH 1H 150J-T	T	93.1/125.7
C2153	4030017400	S.CER C1005 CH 1H 220J-T	T	95.5/124.8
C2154	4030017620	S.CER C1005 CH 1H 100C-T	T	93.1/124.1
C2155	4030017460	S.CER C1005 JB 1H 102K-T	B	92.6/122.9
C2156	4030017630	S.CER C1005 CH 1H 120J-T	B	90.0/121.4
C2157	4030016790	S.CER C1005 JB 1E 103K-T	B	95.3/122.4
C2158	4030017460	S.CER C1005 JB 1H 102K-T	B	91.2/124.0
C2159	4030017370	S.CER C1005 CH 1H 3R5B-T	B	90.3/119.4
C2161	4030017460	S.CER C1005 JB 1H 102K-T	B	87.9/122.8
C2162	4030017620	S.CER C1005 CH 1H 100C-T	B	83.5/119.8
C2165	4030017460	S.CER C1005 JB 1H 102K-T	B	85.6/122.6
C2166	4030017580	S.CER C1005 CH 1H 060C-T	B	84.7/120.2
C2200	4030017500	S.CER C1005 CH 1H 560J-T	B	93.4/114.8
C2201	4030017390	S.CER C1005 CH 1H 180J-T	B	95.8/114.7
C2204	4030019990	S.CER C1005 JB 1C 104K-T	B	69.4/117.5
C2205	4030019990	S.CER C1005 JB 1C 104K-T	B	70.5/117.5
C2206	4030017460	S.CER C1005 JB 1H 102K-T	B	71.6/117.5
C2209	4030017430	S.CER C1005 CH 1H 101J-T	B	72.5/117.5
C2210	4030016790	S.CER C1005 JB 1E 103K-T	B	73.0/109.4
C2211	4030017500	S.CER C1005 CH 1H 560J-T	B	92.9/112.3
C2212	4030017680	S.CER C1005 CH 1H 820J-T	B	93.8/112.3
C2213	4030019990	S.CER C1005 JB 1C 104K-T	B	77.0/114.9
C2214	4030019990	S.CER C1005 JB 1C 104K-T	B	77.0/113.8
C2215	4030017420	S.CER C1005 CH 1H 470J-T	B	94.8/112.0
C2216	4030019990	S.CER C1005 JB 1C 104K-T	B	64.4/111.6
C2217	4030019990	S.CER C1005 JB 1C 104K-T	B	76.6/112.6
C2218	4030019990	S.CER C1005 JB 1C 104K-T	B	76.9/109.1

Eqv.= This component is equivalent to the REF No. component listed above, and may be substituted on parts orders and repairs.

[MAIN UNIT]

REF NO.	PARTS NO.	DESCRIPTION	M.	H/V LOCATION
C2219	4030017460	S.CER C1005 JB 1H 102K-T	B	97.9/113.5
C2220	4030019990	S.CER C1005 JB 1C 104K-T	B	73.5/105.2
C2221	4030019990	S.CER C1005 JB 1C 104K-T	B	72.4/105.2
C2222	4030019990	S.CER C1005 JB 1C 104K-T	B	71.3/105.2
C2223	4030019990	S.CER C1005 JB 1C 104K-T	B	77.5/112.1
C2226	4030017460	S.CER C1005 JB 1H 102K-T	B	102.0/111.3
C2227	4030019460	S.CER C1608 JB 0J 106M-T	T	69.8/112.5
C2228	4030017660	S.CER C1005 CH 1H 330J-T	B	102.9/111.3
C2229	4030019990	S.CER C1005 JB 1C 104K-T	B	98.5/111.1
C2230	4030019120	S.CER GRM188B31E105KA75D	T	59.8/122.6
C2231	4030017510	S.CER C1005 CH 1H 680J-T	B	102.7/107.5
C2232	4030019990	S.CER C1005 JB 1C 104K-T	B	97.6/111.1
C2233	4030017660	S.CER C1005 CH 1H 330J-T	B	98.3/107.9
C2234	4030019620	S.CER GRM188B31C225KE14D	T	64.5/121.2
C2235	4030017680	S.CER C1005 CH 1H 820J-T	B	98.0/105.2
C2236	4030017680	S.CER C1005 CH 1H 820J-T	B	96.2/105.2
C2238	4030017620	S.CER C1005 CH 1H 100C-T	B	98.3/108.8
C2239	4030017460	S.CER C1005 JB 1H 102K-T	B	94.0/98.5
C2241	4030017660	S.CER C1005 CH 1H 330J-T	B	82.8/109.1
C2242	4030017510	S.CER C1005 CH 1H 680J-T	B	81.9/109.7
C2243	4030017660	S.CER C1005 CH 1H 330J-T	B	81.0/109.7
C2244	4030019560	S.CER GRM21BB31C106KE15L	T	66.1/121.5
C2251	4030016790	S.CER C1005 JB 1E 103K-T	B	84.6/110.7
C2252	4030020010	S.CER C1005 CH 1H 271J-T	B	87.8/109.0
C2253	4030017580	S.CER C1005 CH 1H 060C-T	B	90.5/109.3
C2254	4030020010	S.CER C1005 CH 1H 271J-T	B	90.6/107.2
C2255	4030016790	S.CER C1005 JB 1E 103K-T	B	91.7/112.7
C2256	4030016790	S.CER C1005 JB 1E 103K-T	B	86.7/106.4
C2257	4030016790	S.CER C1005 JB 1E 103K-T	B	89.4/106.7
C2261	4030016790	S.CER C1005 JB 1E 103K-T	B	87.3/114.5
C2271	4030017420	S.CER C1005 CH 1H 470J-T	B	62.8/110.5
C2272	4030017430	S.CER C1005 CH 1H 101J-T	B	62.8/108.6
C2273	4030017420	S.CER C1005 CH 1H 470J-T	B	62.8/109.6
C2274	4030017430	S.CER C1005 CH 1H 101J-T	B	66.7/105.7
C2275	4030017430	S.CER C1005 CH 1H 101J-T	B	62.8/114.3
C2276	4030017430	S.CER C1005 CH 1H 101J-T	B	66.5/118.4
C3001	4030017420	S.CER C1005 CH 1H 470J-T	B	95.7/95.6
C3002	4030017400	S.CER C1005 CH 1H 220J-T	B	95.6/94.0
C3003	4030017660	S.CER C1005 CH 1H 330J-T	B	96.9/95.2
C3004	4030017390	S.CER C1005 CH 1H 180J-T	B	94.7/93.1
C3005	4030017680	S.CER C1005 CH 1H 820J-T	B	96.9/94.0
C3006	4030017650	S.CER C1005 CH 1H 270J-T	B	95.6/92.1
C3007	4030017440	S.CER C1005 CH 1H 221J-T	B	96.9/93.4
C3008	4030017390	S.CER C1005 CH 1H 180J-T	B	97.7/91.3
C3009	4030017620	S.CER C1005 CH 1H 100C-T	B	96.5/90.9
C3010	4030017670	S.CER C1005 CH 1H 390J-T	B	97.7/90.4
C3011	4030017380	S.CER C1005 CH 1H 050B-T	B	95.6/90.3
C3012	4030017660	S.CER C1005 CH 1H 330J-T	B	97.8/88.3
C3013	4030017350	S.CER C1005 CH 1H 020B-T	B	96.6/87.4
C3014	4030017410	S.CER C1005 CH 1H 240J-T	B	97.8/87.8
C3015	4030016790	S.CER C1005 JB 1E 103K-T	T	94.9/90.5
C3021	4030020040	S.CER C1005 CH 1H 200J-T	B	92.1/96.5
C3022	4030017640	S.CER C1005 CH 1H 150J-T	B	89.7/96.7
C3023	4030017670	S.CER C1005 CH 1H 390J-T	B	92.1/95.6
C3024	4030017590	S.CER C1005 CH 1H 070C-T	B	89.7/95.1
C3025	4030017420	S.CER C1005 CH 1H 470J-T	B	92.0/93.5
C3026	4030017570	S.CER C1005 CH 1H 040B-T	B	90.8/93.1
C3027	4030017420	S.CER C1005 CH 1H 470J-T	B	89.5/90.9
C3028	4030017650	S.CER C1005 CH 1H 270J-T	B	92.0/92.6
C3029	4030017650	S.CER C1005 CH 1H 270J-T	B	89.9/89.6
C3030	4030017680	S.CER C1005 CH 1H 820J-T	B	90.7/90.5
C3031	4030017410	S.CER C1005 CH 1H 240J-T	B	89.9/88.7
C3032	4030017710	S.CER C1005 CH 1H 181J-T	B	91.1/89.3
C3033	4030017670	S.CER C1005 CH 1H 390J-T	B	90.3/86.9
C3034	4030020960	S.CER C1005 CH 1H 471J-T	B	89.9/87.8
C3035	403			

[MAIN UNIT]

REF NO.	PARTS NO.	DESCRIPTION	M.	H/V LOCATION
C2509	4030017420	S.CER C1005 CH 1H 470J-T	B	58.3/89.5
C2510	4030017600	S.CER C1005 CH 1H 080C-T	B	57.8/90.7
C2511	4030017390	S.CER C1005 CH 1H 180J-T	B	57.4/89.5
C2512	4030016790	S.CER C1005 JB 1E 103K-T	B	55.1/91.7
C2513	4030016790	S.CER C1005 JB 1E 103K-T	T	64.3/89.7
C2551	4030016790	S.CER C1005 JB 1E 103K-T	B	67.5/85.6
C2552	4030017620	S.CER C1005 CH 1H 100C-T	B	66.6/84.8
C2553	4030017360	S.CER C1005 CH 1H 030B-T	B	66.2/86.0
C2554	4030017650	S.CER C1005 CH 1H 270J-T	B	65.7/84.8
C2555	4030017590	S.CER C1005 CH 1H 070C-T	B	64.7/87.2
C2556	4030017400	S.CER C1005 CH 1H 220J-T	B	63.6/84.8
C2557	4030017390	S.CER C1005 CH 1H 180J-T	B	63.1/87.2
C2558	4030017380	S.CER C1005 CH 1H 050B-T	B	62.1/84.8
C2559	4030017620	S.CER C1005 CH 1H 100C-T	B	61.5/87.2
C2560	4030017710	S.CER C1005 CH 1H 181J-T	B	59.9/86.0
C2561	4030017620	S.CER C1005 CH 1H 100C-T	B	59.9/87.2
C2562	4030017430	S.CER C1005 CH 1H 101J-T	B	59.0/86.0
C2563	4030017640	S.CER C1005 CH 1H 150J-T	B	58.3/87.2
C2564	4030017660	S.CER C1005 CH 1H 330J-T	B	58.1/86.0
C2565	4030017390	S.CER C1005 CH 1H 180J-T	B	56.7/87.2
C2566	4030016790	S.CER C1005 JB 1E 103K-T	T	65.8/84.9
C2567	4030016790	S.CER C1005 JB 1E 103K-T	B	54.2/85.4
C2601	4030017640	S.CER C1005 CH 1H 150J-T	B	67.6/82.5
C2602	4030020010	S.CER C1005 CH 1H 271J-T	B	66.0/81.3
C2603	4030017600	S.CER C1005 CH 1H 080C-T	B	66.0/82.5
C2604	4030017680	S.CER C1005 CH 1H 820J-T	B	65.1/81.3
C2605	4030017600	S.CER C1005 CH 1H 080C-T	B	64.4/82.5
C2606	4030017510	S.CER C1005 CH 1H 680J-T	B	64.2/81.3
C2607	4030017630	S.CER C1005 CH 1H 120J-T	B	62.8/82.5
C2608	4030017600	S.CER C1005 CH 1H 080C-T	B	62.1/80.1
C2609	4030017350	S.CER C1005 CH 1H 020B-T	B	61.2/82.5
C2610	4030017400	S.CER C1005 CH 1H 220J-T	B	60.6/80.1
C2611	4030017380	S.CER C1005 CH 1H 050B-T	B	59.6/82.5
C2612	4030017640	S.CER C1005 CH 1H 150J-T	B	58.4/80.1
C2613	4030017590	S.CER C1005 CH 1H 070C-T	B	58.0/81.3
C2614	4030017460	S.CER C1005 JB 1H 102K-T	B	55.2/82.4
C2615	4030017380	S.CER C1005 CH 1H 050B-T	B	56.6/80.1
C2616	4030016790	S.CER C1005 JB 1E 103K-T	T	65.7/80.3
C2652	4030017390	S.CER C1005 CH 1H 180J-T	T	68.2/75.4
C2653	4030017350	S.CER C1005 CH 1H 020B-T	B	67.0/77.8
C2654	4030017650	S.CER C1005 CH 1H 270J-T	B	66.7/75.4
C2655	4030017360	S.CER C1005 CH 1H 030B-T	B	65.4/77.8
C2656	4030017400	S.CER C1005 CH 1H 220J-T	B	64.2/75.4
C2657	4030017380	S.CER C1005 CH 1H 050B-T	B	63.8/77.8
C2658	4030017630	S.CER C1005 CH 1H 120J-T	B	62.9/75.4
C2659	4030017590	S.CER C1005 CH 1H 070C-T	B	62.2/77.8
C2660	4030017500	S.CER C1005 CH 1H 560J-T	B	60.4/76.6
C2661	4030017380	S.CER C1005 CH 1H 050B-T	B	60.6/77.8
C2662	4030017500	S.CER C1005 CH 1H 560J-T	B	59.5/76.6
C2663	4030017380	S.CER C1005 CH 1H 050B-T	B	59.0/77.8
C2664	4030017710	S.CER C1005 CH 1H 181J-T	B	58.6/76.6
C2665	4030017610	S.CER C1005 CH 1H 090C-T	B	57.4/77.8
C2666	4030017460	S.CER C1005 JB 1H 102K-T	B	55.7/77.8
C2667	4030016790	S.CER C1005 JB 1E 103K-T	T	65.3/76.3
C2701	4030018120	S.CER C1005 CH 1H 110J-T	B	67.8/73.1
C2702	4030017700	S.CER C1005 CH 1H 151J-T	B	66.0/71.9
C2703	4030017380	S.CER C1005 CH 1H 050B-T	B	66.2/73.1
C2704	4030017670	S.CER C1005 CH 1H 390J-T	B	65.1/71.9
C2705	4030017380	S.CER C1005 CH 1H 050B-T	B	64.6/73.1
C2706	4030017660	S.CER C1005 CH 1H 330J-T	B	64.2/71.9
C2707	4030017610	S.CER C1005 CH 1H 090C-T	B	63.0/73.1
C2708	4030017570	S.CER C1005 CH 1H 040B-T	B	62.0/70.7
C2709	4030017590	S.CER C1005 CH 1H 070C-T	B	61.4/73.1
C2710	4030017640	S.CER C1005 CH 1H 150J-T	B	60.5/70.7
C2711	4030017360	S.CER C1005 CH 1H 030B-T	B	59.8/73.1
C2712	4030017390	S.CER C1005 CH 1H 180J-T	B	58.4/70.7
C2713	4030017350	S.CER C1005 CH 1H 020B-T	B	57.9/71.9
C2714	4030018120	S.CER C1005 CH 1H 110J-T	B	57.5/70.7
C2715	4030017460	S.CER C1005 JB 1H 102K-T	B	55.5/72.9
C2716	4030016790	S.CER C1005 JB 1E 103K-T	T	65.3/71.8
C2751	4030016790	S.CER C1005 JB 1E 103K-T	B	75.8/78.4
C2752	4030017460	S.CER C1005 JB 1H 102K-T	B	72.1/78.0
C2753	4030017390	S.CER C1005 CH 1H 180J-T	B	74.5/77.5
C2755	4030017390	S.CER C1005 CH 1H 180J-T	B	74.5/76.0
C2756	4030017580	S.CER C1005 CH 1H 060C-T	B	65.3/68.1
C2757	4030017360	S.CER C1005 CH 1H 030B-T	B	63.7/68.1
C2758	4030017580	S.CER C1005 CH 1H 060C-T	B	64.8/66.9
C2759	4030017570	S.CER C1005 CH 1H 040B-T	B	60.7/68.1
C2760	4030017620	S.CER C1005 CH 1H 100C-T	B	63.3/66.9
C2761	4030017570	S.CER C1005 CH 1H 040B-T	B	60.3/66.9
C2762	4030017660	S.CER C1005 CH 1H 330J-T	B	61.2/66.9
C2763	4030017350	S.CER C1005 CH 1H 020B-T	B	58.2/65.9
C2764	4030017580	S.CER C1005 CH 1H 060C-T	B	57.9/67.1
C2765	4030017580	S.CER C1005 CH 1H 060C-T	B	57.3/65.9
C2766	4030017560	S.CER C1005 CH 1H 2R5B-T	B	56.3/67.1
C2768	4030017570	S.CER C1005 CH 1H 040B-T	B	56.4/65.9
C2769	4030017460	S.CER C1005 JB 1H 102K-T	T	57.0/67.7
C2771	4030017460	S.CER C1005 JB 1H 102K-T	B	73.8/65.5
C2772	4030017460	S.CER C1005 JB 1H 102K-T	B	67.1/68.1
C2773	4030017460	S.CER C1005 JB 1H 102K-T	B	69.7/66.0
C2774	4030017430	S.CER C1005 CH 1H 101J-T	B	68.8/66.0
C2801	4030016790	S.CER C1005 JB 1E 103K-T	B	47.4/92.9
C2802	4030017460	S.CER C1005 JB 1H 102K-T	B	52.8/89.8
C2803	4030017460	S.CER C1005 JB 1H 102K-T	B	51.2/88.1
C2804	4030017460	S.CER C1005 JB 1H 102K-T	B	49.2/88.5
C2805	4030017630	S.CER C1005 CH 1H 120J-T	B	50.6/84.4
C2806	4030017630	S.CER C1005 CH 1H 120J-T	B	51.8/83.5
C2908	4030017460	S.CER C1005 JB 1H 102K-T	T	78.5/100.4
C2916	4030019560	S.CER GRM21BB31C106KE15L	T	75.2/64.0
C3001	4030019990	S.CER C1005 JB 1C 104K-T	T	12.6/49.7
C3002	4030019990	S.CER C1005 JB 1C 104K-T	T	10.8/61.2
C3003	4030020190	S.CER GRM32EB31C476KE15L	T	8.5/63.2
C3011	4030019990	S.CER C1005 JB 1C 104K-T	T	13.8/50.8
C3012	4030017690	S.CER C1005 CH 1H 121J-T	T	16.6/44.7
C3013	4030017400	S.CER C1005 CH 1H 220J-T	T	19.5/47.3

Eqv.= This component is equivalent to the REF No. component listed above, and may be substituted on parts orders and repairs.

[MAIN UNIT]

REF NO.	PARTS NO.	DESCRIPTION	M.	H/V LOCATION
C3014	4030017690	S.CER C1005 CH 1H 121J-T	T	16.6/46.4
C3015	4030017500	S.CER C1005 CH 1H 560J-T	T	19.8/53.5
C3016	4030017390	S.CER C1005 CH 1H 180J-T	T	19.8/52.6
C3017	4030017500	S.CER C1005 CH 1H 560J-T	T	21.1/53.0
C3018	4030019990	S.CER C1005 JB 1C 104K-T	B	22.2/46.0
C3019	4030019990	S.CER C1005 JB 1C 104K-T	B	29.3/46.3
C3021	4030017730	S.CER C1005 JB 1H 471K-T	T	23.3/41.3
C3022	4030019990	S.CER C1005 JB 1C 104K-T	B	23.3/42.2
C3023	4030019990	S.CER C1005 JB 1C 104K-T	B	24.7/42.0
C3024	4030019990	S.CER C1005 JB 1C 104K-T	B	25.6/37.9
C3031	4030017460	S.CER C1005 JB 1H 102K-T	T	28.1/54.4
C3032	4030017460	S.CER C1005 JB 1H 102K-T	B	23.9/54.2
C3033	4030017460	S.CER C1005 JB 1H 102K-T	B	27.4/55.1
C3035	4030017630	S.CER C1005 CH 1H 120J-T	B	25.9/57.5
C3036	4030017500	S.CER C1005 CH 1H 560J-T	B	25.9/58.4
C3037	4030017630	S.CER C1005 CH 1H 120J-T	B	24.7/57.9
C3038	4030017620	S.CER C1005 CH 1H 100C-T	B	25.2/59.3
C3039	4030017390	S.CER C1005 CH 1H 180J-T	B	24.7/61.4
C3040	4030017650	S.CER C1005 CH 1H 270J-T	B	26.0/61.8
C3041	4030017380	S.CER C1005 CH 1H 050B-T	B	25.2/62.7
C3042	4030017500	S.CER C1005 CH 1H 560J-T	B	26.8/62.7
C3043	4030017630	S.CER C1005 CH 1H 120J-T	B	25.9/65.4
C3044	4030017660	S.CER C1005 CH 1H 330J-T	B	25.9/67.0
C3045	4030017460	S.CER C1005 JB 1H 102K-T	B	25.9/68.6
C3046	4030017610	S.CER C1005 CH 1H 090C-T	B	25.2/60.2
C3051	4030017730	S.CER C1005 JB 1H 471K-T	B	18.5/50.7
C3052	4030017730	S.CER C1005 JB 1H 471K-T	B	21.4/51.3
C3053	4030017380	S.CER C1005 CH 1H 050B-T	B	18.5/56.5
C3054	4030017380	S.CER C1005 CH 1H 050B-T	B	18.5/57.9
C3055	4030017730	S.CER C1005 JB 1H 471K-T	B	18.9/63.1
C3056	4030017730	S.CER C1005 JB 1H 471K-T	B	21.3/62.6
C3058	4030017730	S.CER C1005 JB 1H 471K-T	B	22.1/66.9
C3059	4030017730	S.CER C1005 JB 1H 471K-T	B	18.9/66.2
C3073	4030017460	S.CER C1005 JB 1H 102K-T	T	3.4/54.0
C3075	4030019120	S.CER GRM188B31E105KA75D	T	15.9/38.2
C3076	4030019120	S.CER GRM188B31E105KA75D	T	17.3/38.2
C3078	4030019990	S.CER C1005 JB 1C 104K-T	B	19.2/35.7
C3079	4030016790	S.CER C1005 JB 1E 103K-T	T	20.8/42.2
C3081	4030019120	S.CER GRM188B31E105KA75D	T	19.9/36.2
C3082	4030019990	S.CER C1005 JB 1C 104K-T	B	19.2/31.8
C3083	4030019120	S.CER GRM188B31E105KA75D	B	15.0/29.7
C3091	4030017460	S.CER C1005 JB 1H 102K-T	B	12.8/69.9
C3093	4030017460	S.CER C1005 JB 1H 102K-T	T	10.8/64.8
C3102	4030019990	S.CER C1005 JB 1C 104K-T	B	25.9/32.9
C3103	4030018600	S.CER C1608 CH 1H 152J-T	B	29.4/32.9
C3104	4030019120	S.CER GRM188B31E105KA75D	T	28.5/30.4
C3105	4030020930	S.CER C1608 CH 1H 682JT	B	31.5/32.2
C3106	4030020840	S.CER C1608 CH 1H 272J-T	B	33.1/32.2
C3111	4030019990	S.CER C1005 JB 1C 104K-T	T	33.2/37.0
C3112	4030019990	S.CER C1005 JB 1C 104K-T	B	30.1/35.1
C3113	4030019570	S.CER C1608 CH 1H 332J-T	B	33.4/36.4
C3115	4030019570	S.CER C1608 CH 1H 332J-T	B	33.4/39.5
C3121	4030019990	S.CER C1005 JB 1C 104K-T	T	37.6/35.4
C3122	4030019990	S.CER C1005 JB 1C 104K-T	B	36.2/35.2
C3131	4030019990	S.CER C1005 JB 1C 104K-T	T	42.9/34.2
C3132	4030020940	S.CER C1608 CH 1H 392JT	B	39.2/32.3
C3133	4030020940	S.CER C1608 CH 1H 392JT	B	39.9/34.2
C3134	4030018600	S.CER C1608 CH 1H 152J-T	B	39.2/36.1
C3135	4030020170	S.CER C1608 CH 1H 472J-T	B	41.0/38.0
C3136	4030020170	S.CER C1608 CH 1H 472J-T	B	39.2/38.8
C3137	4030020930	S.CER C1608 CH 1H 682JT	B	41.0/36.8
C3141	4030019990	S.CER C1005 JB 1C 104K-T	T	49.7/34.2
C3142	4030018620	S.CER C1608 CH 1H 222J-T	B	46.2/32.3
C3143	4030018620	S.CER C1608 CH 1H 222J-T	B	46.9/34.2
C3144	4030020980	S.CER C1005 CH 1H 821JT	B	46.2/35.6
C3145	4030020930	S.CER C1608 CH 1H 682JT	B	46.9/36.9
C3146	4030020840	S.CER C1608 CH 1H 272J-T	B	46.2/38.8
C3151	403001			

[MAIN UNIT]

REF NO.	PARTS NO.	DESCRIPTION	M.	H/V LOCATION
C3208	4030019120	S.CER GRM188B31E105KA75D	B	56.0/52.5
C3209	4030017640	S.CER C1005 CH 1H 150J-T	B	55.9/50.2
C3210	4030019120	S.CER GRM188B31E105KA75D	T	70.6/57.7
C3211	4030019120	S.CER GRM188B31E105KA75D	T	65.9/57.0
C3212	4030019120	S.CER GRM188B31E105KA75D	T	65.9/55.4
C3213	4030019120	S.CER GRM188B31E105KA75D	T	64.5/53.7
C3214	4030019990	S.CER C1005 JB 1C 104K-T	T	66.9/49.0
C3215	4030019990	S.CER C1005 JB 1C 104K-T	T	69.7/49.0
C3216	4030019120	S.CER GRM188B31E105KA75D	B	55.1/58.6
C3217	4030019990	S.CER C1005 JB 1C 104K-T	B	51.7/53.4
C3218	4030019990	S.CER C1005 JB 1C 104K-T	B	70.1/45.4
C3221	4030017660	S.CER C1005 CH 1H 330J-T	B	49.3/56.5
C3222	4030017630	S.CER C1005 CH 1H 120J-T	B	48.0/56.0
C3223	4030017510	S.CER C1005 CH 1H 680J-T	B	48.0/56.9
C3224	4030017620	S.CER C1005 CH 1H 100C-T	B	46.5/56.5
C3225	4030018070	S.CER C1005 CH 1H 300J-T	B	47.0/57.9
C3231	4030019990	S.CER C1005 JB 1C 104K-T	T	50.3/63.8
C3233	4030019990	S.CER C1005 JB 1C 104K-T	T	43.4/65.2
C3234	4030019990	S.CER C1005 JB 1C 104K-T	T	43.4/63.2
C3235	4030019990	S.CER C1005 JB 1C 104K-T	T	33.8/59.9
C3236	4030019990	S.CER C1005 JB 1C 104K-T	T	32.1/67.4
C3237	4030016790	S.CER C1005 JB 1E 103K-T	T	32.1/68.5
C3238	4030017360	S.CER C1005 CH 1H 030B-T	T	39.7/67.5
C3239	4030017360	S.CER C1005 CH 1H 030B-T	T	37.5/59.7
C3240	4030017600	S.CER C1005 CH 1H 080C-T	T	37.8/64.4
C3241	4030017460	S.CER C1005 JB 1H 102K-T	T	47.7/69.3
C3242	4030019990	S.CER C1005 JB 1C 104K-T	T	50.3/70.0
C3243	4030017390	S.CER C1005 CH 1H 180J-T	T	50.3/68.8
C3244	4030017570	S.CER C1005 CH 1H 040B-T	B	47.8/82.4
C3245	4030017350	S.CER C1005 CH 1H 020B-T	B	49.1/82.1
C3246	4030017570	S.CER C1005 CH 1H 040B-T	B	48.7/83.3
C3251	4030019990	S.CER C1005 JB 1C 104K-T	T	31.0/72.3
C3252	4030016790	S.CER C1005 JB 1E 103K-T	T	31.0/74.0
C3253	4030017460	S.CER C1005 JB 1H 102K-T	B	36.8/77.4
C3254	4030017460	S.CER C1005 JB 1H 102K-T	T	47.0/74.2
C3255	4030016790	S.CER C1005 JB 1E 103K-T	T	37.3/78.6
C3256	4030016790	S.CER C1005 JB 1E 103K-T	T	50.2/75.4
C3257	4030019990	S.CER C1005 JB 1C 104K-T	B	29.8/50.0
C3258	4030019990	S.CER C1005 JB 1C 104K-T	T	28.4/81.8
C3261	4030017570	S.CER C1005 CH 1H 040B-T	B	23.7/76.5
C3262	4030017340	S.CER C1005 CH 1H 010B-T	B	24.2/77.9
C3263	4030017590	S.CER C1005 CH 1H 070C-T	B	24.6/76.5
C3264	4030017570	S.CER C1005 CH 1H 040B-T	B	25.4/78.3
C3265	4030017580	S.CER C1005 CH 1H 060C-T	B	26.4/75.5
C3266	4030017610	S.CER C1005 CH 1H 090C-T	B	27.6/75.9
C3267	4030017360	S.CER C1005 CH 1H 030B-T	B	28.9/76.3
C3271	4030017370	S.CER C1005 CH 1H 3R5B-T	B	19.9/76.5
C3272	4030017550	S.CER C1005 CH 1H 1R5B-T	B	19.9/77.4
C3273	4030017370	S.CER C1005 CH 1H 3R5B-T	B	21.2/77.8
C3275	4030019990	S.CER C1005 JB 1C 104K-T	B	21.9/83.6
C3276	4030016790	S.CER C1005 JB 1E 103K-T	B	20.3/81.6
C3277	4030019990	S.CER C1005 JB 1C 104K-T	B	18.5/83.6
C3301	4030020190	S.CER GRM32EB31C476KE15L	T	78.2/38.2
C3303	4030019990	S.CER C1005 JB 1C 104K-T	T	80.1/56.6
C3304	4030019990	S.CER C1005 JB 1C 104K-T	T	80.3/29.4
C4001	4030016790	S.CER C1005 JB 1E 103K-T	B	37.0/81.3
C4002	4030019990	S.CER C1005 JB 1C 104K-T	B	36.0/85.1
C4005	4030017600	S.CER C1005 CH 1H 080C-T	B	36.6/90.3
C4006	4030019990	S.CER C1005 JB 1C 104K-T	B	38.6/89.0
C4007	4030017590	S.CER C1005 CH 1H 070C-T	B	35.6/92.2
C4008	4030016790	S.CER C1005 JB 1E 103K-T	B	41.1/94.5
C4009	4030017460	S.CER C1005 JB 1H 102K-T	B	35.6/96.3
C4010	4030017460	S.CER C1005 JB 1H 102K-T	B	30.8/98.1
C4052	4030016790	S.CER C1005 JB 1E 103K-T	T	30.9/86.1
C4053	4030017460	S.CER C1005 JB 1H 102K-T	T	34.3/86.3
C4054	4030016790	S.CER C1005 JB 1E 103K-T	T	31.8/87.5
C4055	4030017460	S.CER C1005 JB 1H 102K-T	T	35.9/89.2
C4056	4030017460	S.CER C1005 JB 1H 102K-T	T	36.8/89.2
C4057	4030017460	S.CER C1005 JB 1H 102K-T	B	33.5/91.8
C4101	4030016790	S.CER C1005 JB 1E 103K-T	B	31.7/99.7
C4102	4030017460	S.CER C1005 JB 1H 102K-T	T	34.4/97.1
C4103	4030017360	S.CER C1005 CH 1H 030B-T	T	39.9/96.2
C4104	4030017620	S.CER C1005 CH 1H 100C-T	T	39.0/97.2
C4105	4030018120	S.CER C1005 CH 1H 110J-T	T	42.3/103.4
C4106	4030017620	S.CER C1005 CH 1H 100C-T	T	38.5/109.5
C4107	4030017360	S.CER C1005 CH 1H 030B-T	T	38.5/110.4
C4108	4030017460	S.CER C1005 JB 1H 102K-T	T	38.5/111.3
C4109	4030016790	S.CER C1005 JB 1E 103K-T	B	33.2/109.2
C4110	4030017460	S.CER C1005 JB 1H 102K-T	B	31.5/108.5
C4111	4030017460	S.CER C1005 JB 1H 102K-T	T	29.9/109.2
C4151	4030016790	S.CER C1005 JB 1E 103K-T	T	45.6/97.6
C4152	4030017580	S.CER C1005 CH 1H 060C-T	B	43.6/97.8
C4153	4030017340	S.CER C1005 CH 1H 010B-T	B	44.0/100.9
C4154	4030017400	S.CER C1005 CH 1H 220J-T	B	44.0/101.8
C4155	4030017340	S.CER C1005 CH 1H 010B-T	B	43.6/104.2
C4156	4030017400	S.CER C1005 CH 1H 220J-T	B	45.4/105.1
C4157	4030017340	S.CER C1005 CH 1H 010B-T	B	44.5/105.1
C4158	4030017580	S.CER C1005 CH 1H 060C-T	B	43.6/105.8
C4159	4030016790	S.CER C1005 JB 1E 103K-T	T	45.8/104.6
C4201	4030016790	S.CER C1005 JB 1E 103K-T	T	33.5/114.0
C4202	4030017580	S.CER C1005 CH 1H 060C-T	B	32.6/113.4
C4203	4030017560	S.CER C1005 CH 1H 2R5B-T	B	40.4/115.5
C4204	4030017600	S.CER C1005 CH 1H 080C-T	B	41.5/115.5
C4205	4030017460	S.CER C1005 JB 1H 102K-T	B	41.9/119.2
C4206	4030017460	S.CER C1005 JB 1H 102K-T	T	40.2/114.6
C4207	4030016790	S.CER C1005 JB 1E 103K-T	B	45.1/115.8
C4208	4030017560	S.CER C1005 CH 1H 2R5B-T	B	46.1/116.4
C4209	4030017360	S.CER C1005 CH 1H 030B-T	B	47.2/119.0
C4210	4030016790	S.CER C1005 JB 1E 103K-T	B	47.2/114.6
C4211	4030016790	S.CER C1005 JB 1E 103K-T	T	48.5/117.5
C4212	4030017460	S.CER C1005 JB 1H 102K-T	B	48.4/124.0
C4251	4030016790	S.CER C1005 JB 1E 103K-T	T	32.9/119.0
C4252	4030017460	S.CER C1005 JB 1H 102K-T	B	31.3/121.1
C4253	4030017510	S.CER C1005 CH 1H 680J-T	B	30.8/122.4
C4254	4510008630	S.ELE 16 CE 47 FE	T	36.0/124.4

Eqv.= This component is equivalent to the REF No. component listed above, and may be substituted on parts orders and repairs.

[MAIN UNIT]

REF NO.	PARTS NO.	DESCRIPTION	M.	H/V LOCATION
C4255	4030017540	S.CER C1005 CH 1H R75B-T	B	41.1/123.8
C4256	4030016790	S.CER C1005 JB 1E 103K-T	B	40.4/125.7
C4257	4030016790	S.CER C1005 JB 1E 103K-T	B	42.6/125.4
C4258	4030019990	S.CER C1005 JB 1C 104K-T	B	44.3/121.9
C4259	4030017460	S.CER C1005 JB 1H 102K-T	T	43.9/124.6
C4260	4030017460	S.CER C1005 JB 1H 102K-T	B	47.3/122.5
C4261	4030016790	S.CER C1005 JB 1E 103K-T	T	46.6/123.0
C4262	4030017340	S.CER C1005 CH 1H 010B-T	B	44.8/125.7
C4301	4030017500	S.CER C1005 CH 1H 560J-T	T	45.8/137.1
C4302	4030017500	S.CER C1005 CH 1H 560J-T	T	46.7/139.7
C4303	4030017690	S.CER C1005 CH 1H 121J-T	T	49.2/139.2
C4351	4030018590	S.CER C1608 CH 1H 122J-T	T	42.7/138.8
C4352	4030019990	S.CER C1005 JB 1C 104K-T	T	36.9/153.1
C4353	4030016790	S.CER C1005 JB 1E 103K-T	T	41.1/152.0
C4354	4030019990	S.CER C1005 JB 1C 104K-T	B	35.6/153.6
C4401	4030016790	S.CER C1005 JB 1E 103K-T	B	35.6/159.3
C4402	4030020970	S.CER C1005 CH 1H 681JT	B	35.2/162.5
C4403	4030019990	S.CER C1005 JB 1C 104K-T	B	33.4/166.3
C4404	4030020970	S.CER C1005 CH 1H 681JT	B	35.2/161.6
C4405	4030019990	S.CER C1005 JB 1C 104K-T	B	34.1/167.8
C4406	4030016790	S.CER C1005 JB 1E 103K-T	B	38.3/166.1
C4407	4030016790	S.CER C1005 JB 1E 103K-T	B	37.3/169.3
C4408	4030016790	S.CER C1005 JB 1E 103K-T	B	43.0/170.0
C4501	4030016790	S.CER C1005 JB 1E 103K-T	B	38.2/157.0
C4502	4030017460	S.CER C1005 JB 1H 102K-T	B	38.2/162.0
C4503	4030019990	S.CER C1005 JB 1C 104K-T	B	40.8/158.9
C4504	4030019990	S.CER C1005 JB 1C 104K-T	T	38.0/158.1
C4505	4030019990	S.CER C1005 JB 1C 104K-T	B	39.7/163.2
C4506	4030020990	S.CER C1005 CH 1H 561JT	B	42.2/162.0
C4507	4030020990	S.CER C1005 CH 1H 561JT	B	42.2/159.0
C4508	4030019990	S.CER C1005 JB 1C 104K-T	T	45.5/156.4
C4509	4030019120	S.CER GRM188B31E105KA75D	B	48.2/156.0
C4510	4030019120	S.CER GRM188B31E105KA75D	T	50.3/160.9
C4511	4030019990	S.CER C1005 JB 1C 104K-T	T	47.1/160.1
C4512	4030019560	S.CER GRM21BB31C106KE15L	T	50.6/164.7
C4513	4030016790	S.CER C1005 JB 1E 103K-T	B	49.3/160.7
C4514	4030019560	S.CER GRM21BB31C106KE15L	B	49.3/165.7
C4515	4030019990	S.CER C1005 JB 1C 104K-T	T	47.8/169.4
C4516	4030019990	S.CER C1005 JB 1C 104K-T	T	50.5/173.1
C4517	4030019120	S.CER GRM188B31E105KA75D	B	51.6/172.7
C4518	4030017690	S.CER C1005 CH 1H 121J-T	B	55.9/159.5
C4519	4030019120	S.CER GRM188B31E105KA75D	B	57.0/156.5
C4520	4030017640	S.CER C1005 CH 1H 150J-T	B	58.1/159.9
C4521	4030019560	S.CER GRM21BB31C106KE15L	T	61.1/154.5
C4522	4030019990	S.CER C1005 JB 1C 104K-T	T	61.0/148.1
C4523	4030019120	S.CER GRM188B31E105KA75D	B	60.6/147.7
C4524	4030019560	S.CER GRM21BB31C106KE15L	B	64.5/148.9
C4525	4030019990	S.CER C1005 JB 1C 104K-T	B	54.1/159.5
C4603	4030016790	S.CER C1005 JB 1E 103K-T	T	59.3/144.2
C4604	4030019990	S.CER C1005 JB 1C 104K-T	T	54.5/146.6
C4605	4030019990	S.CER C1005 JB 1C 104K-T	B	55.3/145.0
C4606	4030016790	S.CER C1005 JB 1E 103K-T	T	53.9/145.4
C4607	4030016790	S.CER C1005 JB 1E 103K-T	T	46.2/152.1
C4608	4030016790	S.CER C1005 JB 1E 103K-T	T	48.0/152.1
C4609	4030016790	S.CER C1005 JB 1E 103K-T	T	47.1/152.1
C4610	4030017460	S.CER C1005 JB 1H 102K-T	B	56.1/147.8
C4611	4030016790	S.CER C1005 JB 1E 103K-T	B	51.8/151.6
C4612	4030016970	S.CER C1005 JB 1E 223K-T	B	52.4/156.2
C4613	4030016790	S.CER C1005 JB 1E 103K-T	T	50.6/155.3
C4614	4030019560	S.CER GRM21BB31C106KE15L	T	51.3/156.7
C4615	4030019120	S.CER GRM188B31E105KA75D	B	53.2/154.8
C4616	4030020990	S.CER C1005 CH 1H 561JT	B	54.9/155.1
C4617	4030017700	S.CER C1005 CH 1H 151J-T	T	57.5/153.1
C4619	4030017570	S.CER C1005 CH 1H 040B-T	T	54.3/153.6
C4620	4030019560	S.CER GRM21BB31C106KE15L	T	51.3/158.5
C5001	4550007200	S.TAN F930J476MBABMA	T	118.1/156.5</

[MAIN UNIT]

REF NO.	PARTS NO.	DESCRIPTION	M.	H/V LOCATION
C5043	4030019990	S.CER C1005 JB 1C 104K-T	T	116.6/125.2
C5044	4030019990	S.CER C1005 JB 1C 104K-T	T	124.3/123.4
C5045	4030019990	S.CER C1005 JB 1C 104K-T	T	126.3/124.8
C5046	4030019990	S.CER C1005 JB 1C 104K-T	T	127.8/124.8
C5047	4030019990	S.CER C1005 JB 1C 104K-T	B	129.8/132.3
C5048	4030019990	S.CER C1005 JB 1C 104K-T	T	129.9/124.4
C5049	4030019990	S.CER C1005 JB 1C 104K-T	T	130.8/124.4
C5050	4030019990	S.CER C1005 JB 1C 104K-T	T	133.8/124.6
C5051	4030019990	S.CER C1005 JB 1C 104K-T	T	134.7/125.5
C5052	4030019990	S.CER C1005 JB 1C 104K-T	T	136.3/125.5
C5053	4030019990	S.CER C1005 JB 1C 104K-T	B	121.5/127.3
C5054	4030016790	S.CER C1005 JB 1E 103K-T	B	121.5/126.4
C5055	4030016790	S.CER C1005 JB 1E 103K-T	T	129.8/113.4
C5056	4030017460	S.CER C1005 JB 1H 102K-T	T	126.5/118.4
C5057	4030017620	S.CER C1005 CH 1H 100C-T	T	124.3/118.6
C5058	4030016790	S.CER C1005 JB 1E 103K-T	T	125.8/114.5
C5059	4030019990	S.CER C1005 JB 1C 104K-T	T	124.5/114.0
C5060	4030019990	S.CER C1005 JB 1C 104K-T	T	114.4/114.8
C5061	4030019120	S.CER GRM188B31E105KA75D	B	125.3/158.1
C5062	4030019560	S.CER GRM21BB31C106KE15L	B	129.8/158.0
C5063	4030019990	S.CER C1005 JB 1C 104K-T	B	116.7/116.5
C5064	4030019990	S.CER C1005 JB 1C 104K-T	B	114.5/113.8
C5067	4030019990	S.CER C1005 JB 1C 104K-T	T	94.2/162.3
C5071	4030019560	S.CER GRM21BB31C106KE15L	T	91.3/155.8
C5072	4030019990	S.CER C1005 JB 1C 104K-T	T	89.9/155.2
C5073	4030019560	S.CER GRM21BB31C106KE15L	B	91.2/150.3
C5074	4030019990	S.CER C1005 JB 1C 104K-T	T	91.5/144.2
C5075	4030019560	S.CER GRM21BB31C106KE15L	T	84.3/147.2
C5076	4030019990	S.CER C1005 JB 1C 104K-T	T	85.7/146.4
C5077	4030019560	S.CER GRM21BB31C106KE15L	T	99.9/146.2
C5078	4030019560	S.CER GRM21BB31C106KE15L	T	99.6/157.1
C5081	4030019560	S.CER GRM21BB31C106KE15L	T	88.7/166.1
C5082	4030019560	S.CER GRM21BB31C106KE15L	T	74.6/164.1
C5083	4030019560	S.CER GRM21BB31C106KE15L	T	66.5/165.2
C5084	4030019560	S.CER GRM21BB31C106KE15L	T	63.8/158.2
C5091	4030019560	S.CER GRM21BB31C106KE15L	B	94.4/156.4
C5092	4030019570	S.CER C1608 CH 1H 332J-T	B	92.6/159.7
C5093	4030020010	S.CER C1005 CH 1H 271J-T	B	92.4/161.2
C5094	4030019990	S.CER C1005 JB 1C 104K-T	B	91.5/161.2
C5095	4030017380	S.CER C1005 CH 1H 050B-T	B	91.7/162.9
C5096	4030017700	S.CER C1005 CH 1H 151J-T	B	97.8/159.4
C5101	4550007200	S.TAN F930J476MBA BAMA	T	89.5/159.1
C5102	4030019990	S.CER C1005 JB 1C 104K-T	B	86.8/160.0
C5103	4030019570	S.CER C1608 CH 1H 332J-T	B	87.7/163.0
C5104	4030020990	S.CER C1005 CH 1H 561JT	B	85.1/163.8
C5105	4030020990	S.CER C1005 CH 1H 561JT	B	86.3/161.3
C5111	4030019990	S.CER C1005 JB 1C 104K-T	T	84.0/166.5
C5112	4030019560	S.CER GRM21BB31C106KE15L	T	82.2/160.2
C5113	4030019560	S.CER GRM21BB31C106KE15L	B	83.5/163.7
C5121	4550007200	S.TAN F930J476MBA BAMA	T	74.9/157.7
C5122	4030019990	S.CER C1005 JB 1C 104K-T	B	77.3/159.2
C5123	4030019570	S.CER C1608 CH 1H 332J-T	B	79.5/161.0
C5125	4030017440	S.CER C1005 CH 1H 221J-T	B	77.0/161.4
C5126	4030017440	S.CER C1005 CH 1H 221J-T	B	75.2/160.1
C5131	4030019560	S.CER GRM21BB31C106KE15L	B	73.2/162.3
C5132	4030020940	S.CER C1608 CH 1H 392JT	B	70.8/159.6
C5133	4030020980	S.CER C1005 CH 1H 821JT	B	68.4/160.8
C5134	4030019990	S.CER C1005 JB 1C 104K-T	B	67.4/160.8
C5135	4030017700	S.CER C1005 CH 1H 151J-T	B	66.8/162.6
C5141	4030019560	S.CER GRM21BB31C106KE15L	B	67.1/164.4
C5142	4340000310	S.MYL ECHU 1C 333JX5	B	65.1/161.0
C5143	4030020940	S.CER C1608 CH 1H 392JT	B	63.4/161.1
C5144	4030019990	S.CER C1005 JB 1C 104K-T	B	62.3/161.7
C5145	4030020970	S.CER C1005 CH 1H 681JT	B	60.7/163.3
C5151	4030019990	S.CER C1005 JB 1C 104K-T	T	61.9/167.0
C5152	4030019560	S.CER GRM21BB31C106KE15L	B	65.3/168.5
C5161	4030019560	S.CER GRM21BB31C106KE15L	T	77.1/150.3
C5162	4030019560	S.CER GRM21BB31C106KE15L	T	82.5/146.3
C5163	4030019560	S.CER GRM21BB31C106KE15L	T	82.6/154.9
C5164	4030019560	S.CER GRM21BB31C106KE15L	B	91.9/144.8
C5171	4030019560	S.CER GRM21BB31C106KE15L	B	73.3/154.9
C5172	4030019990	S.CER C1005 JB 1C 104K-T	B	72.5/151.4
C5173	4030019560	S.CER GRM21BB31C106KE15L	B	76.1/157.0
C5174	4030019990	S.CER C1005 JB 1C 104K-T	B	78.8/156.5
C5175	4030019990	S.CER C1005 JB 1C 104K-T	B	77.2/152.5
C5176	4030020950	S.CER C1005 CH 1H 331JT	B	80.4/156.5
C5177	4030020950	S.CER C1005 CH 1H 331JT	B	79.7/151.5
C5178	4030018620	S.CER C1608 CH 1H 222J-T	T	86.8/144.2
C5191	4030019560	S.CER GRM21BB31C106KE15L	B	71.7/147.5
C5192	4030019990	S.CER C1005 JB 1C 104K-T	B	72.4/144.8
C5193	4030019560	S.CER GRM21BB31C106KE15L	B	74.5/148.5
C5194	4030019990	S.CER C1005 JB 1C 104K-T	T	77.4/144.4
C5195	4030019990	S.CER C1005 JB 1C 104K-T	B	78.3/148.1
C5196	4030020950	S.CER C1005 CH 1H 331JT	B	80.2/148.1
C5197	4030020950	S.CER C1005 CH 1H 331JT	B	80.0/145.1
C5198	4030018620	S.CER C1608 CH 1H 222J-T	T	89.4/144.2
C5211	4030019990	S.CER C1005 JB 1C 104K-T	T	66.1/155.2
C5212	4030019560	S.CER GRM21BB31C106KE15L	B	70.5/153.8
C5213	4030019990	S.CER C1005 JB 1C 104K-T	T	66.2/150.1
C5214	4030019990	S.CER C1005 JB 1C 104K-T	T	66.2/145.1
C5502	4030019120	S.CER GRM188B31E105KA75D	T	114.6/111.3
C5505	4030019620	S.CER GRM188B31C225KE14D	T	116.9/107.8
C5508	4030019990	S.CER C1005 JB 1C 104K-T	B	123.2/102.4
C5510	4030019120	S.CER GRM188B31E105KA75D	T	117.0/102.1
C5512	4030019990	S.CER C1005 JB 1C 104K-T	T	119.5/109.2
C5513	4030019990	S.CER C1005 JB 1C 104K-T	T	119.6/101.9
C5514	4030019120	S.CER GRM188B31E105KA75D	B	120.9/104.5
C5515	4030019990	S.CER C1005 JB 1C 104K-T	B	125.3/105.5
C5516	4030019990	S.CER C1005 JB 1C 104K-T	B	123.6/95.9
C5517	4030019990	S.CER C1005 JB 1C 104K-T	B	119.0/95.4
C5518	4030019120	S.CER GRM188B31E105KA75D	T	128.6/109.7
C5521	4030019990	S.CER C1005 JB 1C 104K-T	B	138.2/91.0
C5522	4030019990	S.CER C1005 JB 1C 104K-T	T	145.1/92.4
C5531	4030019560	S.CER GRM21BB31C106KE15L	B	134.4/103.9
C5532	4030019560	S.CER GRM21BB31C106KE15L	B	127.0/88.6

Eqv.= This component is equivalent to the REF No. component listed above, and may be substituted on parts orders and repairs.

[MAIN UNIT]

REF NO.	PARTS NO.	DESCRIPTION	M.	H/V LOCATION
C5533	4030019560	S.CER GRM21BB31C106KE15L	B	136.8/98.0
C5534	4030019560	S.CER GRM21BB31C106KE15L	B	118.5/96.8
C5535	4030019990	S.CER C1005 JB 1C 104K-T	B	135.9/100.1
C5536	4030019990	S.CER C1005 JB 1C 104K-T	T	134.4/89.9
C5537	4030019990	S.CER C1005 JB 1C 104K-T	B	133.2/95.5
C5538	4030019990	S.CER C1005 JB 1C 104K-T	T	121.3/94.8
C5539	4030019990	S.CER C1005 JB 1C 104K-T	T	116.8/97.0
C5540	4030019990	S.CER C1005 JB 1C 104K-T	B	122.1/104.5
C5541	4030019990	S.CER C1005 JB 1C 104K-T	B	120.9/100.1
C5542	4030019990	S.CER C1005 JB 1C 104K-T	T	118.4/95.2
C5543	4030019990	S.CER C1005 JB 1C 104K-T	T	117.9/109.9
C5544	4030019990	S.CER C1005 JB 1C 104K-T	T	118.4/100.4
C5545	4030019990	S.CER C1005 JB 1C 104K-T	B	128.4/90.1
C5546	4030019990	S.CER C1005 JB 1C 104K-T	T	127.6/109.2
C5547	4030019990	S.CER C1005 JB 1C 104K-T	B	131.4/105.4
C5548	4030019560	S.CER GRM21BB31C106KE15L	B	128.4/103.0
C5549	4030019560	S.CER GRM21BB31C106KE15L	B	130.0/90.7
C5550	4030019560	S.CER GRM21BB31C106KE15L	B	118.5/99.3
C5551	4030019560	S.CER GRM21BB31C106KE15L	T	125.3/110.0
C5552	4030019990	S.CER C1005 JB 1C 104K-T	T	129.4/106.3
C5553	4030019990	S.CER C1005 JB 1C 104K-T	B	132.9/103.8
C5554	4030019990	S.CER C1005 JB 1C 104K-T	T	126.7/109.2
C5555	4030019990	S.CER C1005 JB 1C 104K-T	T	132.6/88.3
C5556	4030019990	S.CER C1005 JB 1C 104K-T	B	130.0/94.5
C5557	4030019990	S.CER C1005 JB 1C 104K-T	T	129.1/88.0
C5558	4030019990	S.CER C1005 JB 1C 104K-T	T	130.4/89.9
C5559	4030019990	S.CER C1005 JB 1C 104K-T	B	129.8/104.1
C5560	4030019990	S.CER C1005 JB 1C 104K-T	T	126.8/88.3
C5561	4030019990	S.CER C1005 JB 1C 104K-T	T	130.6/109.2
C6101	4030016790	S.CER C1005 JB 1E 103K-T	B	83.7/35.2
C6102	4030016790	S.CER C1005 JB 1E 103K-T	B	84.1/29.6
C6103	4510010460	ELE DXN-5R5H334U		
C6104	4030017030	S.CER C1005 JB 1A 273K-T	B	143.0/60.9
C6105	4030019990	S.CER C1005 JB 1C 104K-T	B	89.7/32.7
C6106	4030019990	S.CER C1005 JB 1C 104K-T	T	106.8/75.8
C6108	4030019990	S.CER C1005 JB 1C 104K-T	B	144.3/65.7
C6201	4030019560	S.CER GRM21BB31C106KE15L	T	140.0/79.6
C6203	4030019990	S.CER C1005 JB 1C 104K-T	T	139.2/74.0
C6205	4030019560	S.CER GRM21BB31C106KE15L	B	132.0/67.0
C6208	4030019560	S.CER GRM21BB31C106KE15L	B	116.0/77.1
C6209	4030019560	S.CER GRM21BB31C106KE15L	T	140.0/76.3
C6210	4030017550	S.CER C1005 CH 1H 1RSB-T	T	143.0/44.3
C6211	4030017610	S.CER C1005 CH 1H 090C-T	T	141.1/48.6
C6212	4030019990	S.CER C1005 JB 1C 104K-T	B	137.3/69.1
C6213	4030019990	S.CER C1005 JB 1C 104K-T	B	134.3/63.0
C6214	4030019120	S.CER GRM188B31E105KA75D	T	137.6/44.3
C6217	4030019990	S.CER C1005 JB 1C 104K-T	B	133.5/58.8
C6218	4030019990	S.CER C1005 JB 1C 104K-T	T	116.5/66.2
C6220	4030019990	S.CER C1005 JB 1C 104K-T	T	116.9/69.8
C6222	4030019990	S.CER C1005 JB 1C 104K-T	B	129.2/71.8
C6223	4030017390	S.CER C1005 CH 1H 180J-T	T	128.7/81.3
C6224	4030017390	S.CER C1005 CH 1H 180J-T	T	131.0/82.5
C6227	4030019990	S.CER C1005 JB 1C 104K-T	B	129.2/77.5
C6229	4030019990	S.CER C1005 JB 1C 104K-T	B	125.8/58.1
C6230	4030019990	S.CER C1005 JB 1C 104K-T	T	117.8/76.0
C6231	4030019990	S.CER C1005 JB 1C 104K-T	B	128.0/69.3
C6233	4030019990	S.CER C1005 JB 1C 104K-T	B	127.0/47.2
C6234	4030019990	S.CER C1005 JB 1C 104K-T	B	126.7/39.7
C6401	4030017630	S.CER C1005 CH 1H 120J-T	T	99.7/64.3
C6402	4030019990	S.CER C1005 JB 1C 104K-T	T	96.8/67.4
C6403	4030019990	S.CER C1005 JB 1C 104K-T	T	101.3/64.3
C6404	4030017630	S.CER C1005 CH 1H 120J-T	T	98.1/63.3
C6405	4030019560	S.CER GRM21BB31C106KE15L	T	106.4/63.7
C6406	4030016790	S.CER C1005 JB 1E 103K-T	T	92.1/49.1
C6407	4030016790	S.CER C1005 JB 1E 103K-T		

[MAIN UNIT]

REF NO.	PARTS NO.	DESCRIPTION	M.	H/V LOCATION
J191	6510023720	CON LGY6501-0600C		
J261	6510028980	S.CON SCDABA0500	T	134.4/14.7
J301	6510024880	S.CON 52689-3087	B	6.2/90.6
J401	6510024880	S.CON 52689-3087	B	6.2/113.4
J501	6510028200	S.CON UB-M5BR-S14-4S(LF)(SN)	T	116.2/212.1
J571	6510023720	CON LGY6501-0600C		
J3001	6510018450	CON TMP-S01X-B1		
J5002	6510025840	S.CON AXN316C038P	B	148.0/151.6
J5501	6510027111	S.CON 08FLT-SM2-TB(LF)(SN)(M)	B	147.5/93.0
J6501	6510024522	S.CON 12FLT-SM2-TB(LF)(SN)(M)	B	147.5/82.5
J6502	6510025142	S.CON 10FLT-SM2-TB(LF)(SN)(M)	B	109.3/43.3
BT6201	3020000390	S.LIT ML414HIV01E	T	140.7/39.3
EP1	6910023350	S.BEA MMZ1005B601CT	T	29.7/198.3
EP11	6910023350	S.BEA MMZ1005B601CT	T	66.2/201.0
EP12	6910023350	S.BEA MMZ1005B601CT	T	71.7/201.0
EP31	6910019900	S.BEA MPZ1608S601AT	T	38.9/193.2
EP32	6910023350	S.BEA MMZ1005B601CT	T	54.7/190.4
EP33	6910019900	S.BEA MPZ1608S601AT	T	51.8/189.9
EP34	6910018930	S.BEA MPZ2012S601A	T	53.3/189.5
EP35	6910019900	S.BEA MPZ1608S601AT	T	48.6/189.9
EP36	6910023350	S.BEA MMZ1005B601CT	T	57.4/190.4
EP37	6910023350	S.BEA MMZ1005B601CT	T	56.3/190.4
EP38	6910023350	S.BEA MMZ1005B601CT	T	58.5/190.4
EP39	6910023350	S.BEA MMZ1005B601CT	T	39.8/197.7
EP40	6910023350	S.BEA MMZ1005B601CT	T	46.8/190.9
EP41	6910023350	S.BEA MMZ1005B601CT	T	39.8/196.8
EP42	6910023350	S.BEA MMZ1005B601CT	T	39.8/195.9
EP111	6910023350	S.BEA MMZ1005B601CT	T	93.4/198.2
EP112	6910023350	S.BEA MMZ1005B601CT	T	94.6/198.2
EP113	6910023350	S.BEA MMZ1005B601CT	T	87.8/198.2
EP114	6910023350	S.BEA MMZ1005B601CT	T	89.0/198.2
EP115	6910023350	S.BEA MMZ1005B601CT	T	89.9/198.2
EP151	6910023350	S.BEA MMZ1005B601CT	T	21.9/197.4
EP152	6910023350	S.BEA MMZ1005B601CT	T	20.1/197.9
EP153	6910023350	S.BEA MMZ1005B601CT	T	14.7/197.9
EP154	6910023350	S.BEA MMZ1005B601CT	T	18.2/197.4
EP155	6910018930	S.BEA MPZ2012S601A	T	26.3/197.0
EP156	6910023350	S.BEA MMZ1005B601CT	T	16.0/197.4
EP157	6910018930	S.BEA MPZ2012S601A	T	11.6/196.2
EP158	6910023350	S.BEA MMZ1005B601CT	T	21.9/198.3
EP159	6910023350	S.BEA MMZ1005B601CT	T	18.2/198.3
EP160	6910023350	S.BEA MMZ1005B601CT	T	16.0/198.3
EP161	6910018930	S.BEA MPZ2012S601A	T	11.6/198.0
EP171	6910023350	S.BEA MMZ1005B601CT	T	145.8/198.4
EP172	6910023350	S.BEA MMZ1005B601CT	T	143.6/198.4
EP173	6910023350	S.BEA MMZ1005B601CT	T	142.6/198.4
EP174	6910019900	S.BEA MPZ1608S601AT	T	141.6/197.9
EP175	6910023350	S.BEA MMZ1005B601CT	T	151.9/203.2
EP176	6910023350	S.BEA MMZ1005B601CT	T	139.6/198.4
EP177	6910019900	S.BEA MPZ1608S601AT	T	138.5/197.9
EP191	6910018930	S.BEA MPZ2012S601A	T	122.5/205.0
EP192	6910018930	S.BEA MPZ2012S601A	T	122.5/200.7
EP261	6910019900	S.BEA MPZ1608S601AT	T	133.7/34.8
EP301	6910020910	S.BEA MPZ1608S300AT	B	12.4/87.1
EP302	6910019900	S.BEA MPZ1608S601AT	B	12.4/94.2
EP303	6910023350	S.BEA MMZ1005B601CT	B	13.0/95.4
EP304	6910023350	S.BEA MMZ1005B601CT	B	13.0/96.3
EP305	6910023350	S.BEA MMZ1005B601CT	B	13.0/97.2
EP306	6910023350	S.BEA MMZ1005B601CT	B	13.0/98.1
EP307	6910023350	S.BEA MMZ1005B601CT	B	13.0/99.0
EP308	6910023350	S.BEA MMZ1005B601CT	B	13.0/99.9
EP401	6910023350	S.BEA MMZ1005B601CT	B	13.0/102.9
EP402	6910023350	S.BEA MMZ1005B601CT	B	13.0/103.9
EP403	6910023350	S.BEA MMZ1005B601CT	B	13.0/104.8
EP404	6910023350	S.BEA MMZ1005B601CT	B	13.0/105.7
EP405	6910023350	S.BEA MMZ1005B601CT	B	13.0/106.6
EP406	6910023350	S.BEA MMZ1005B601CT	B	13.0/107.5
EP407	6910023350	S.BEA MMZ1005B601CT	B	13.0/108.4
EP408	6910023350	S.BEA MMZ1005B601CT	B	13.0/109.3
EP409	6910023350	S.BEA MMZ1005B601CT	B	13.0/110.2
EP410	6910023350	S.BEA MMZ1005B601CT	B	13.0/111.1
EP411	6910023350	S.BEA MMZ1005B601CT	B	13.0/112.0
EP412	6910023350	S.BEA MMZ1005B601CT	B	13.0/112.9
EP413	6910023350	S.BEA MMZ1005B601CT	B	13.0/113.8
EP414	6910023350	S.BEA MMZ1005B601CT	B	13.0/114.7
EP415	6910023350	S.BEA MMZ1005B601CT	B	13.0/115.6
EP416	6910023350	S.BEA MMZ1005B601CT	B	13.0/116.5
EP417	6910023350	S.BEA MMZ1005B601CT	B	13.0/117.4
EP418	6910023350	S.BEA MMZ1005B601CT	B	13.0/118.3
EP419	6910023350	S.BEA MMZ1005B601CT	B	13.0/119.2
EP420	6910023350	S.BEA MMZ1005B601CT	B	13.0/120.1
EP501	6910023350	S.BEA MMZ1005B601CT	T	114.2/205.6
EP511	6910019900	S.BEA MPZ1608S601AT	B	54.4/176.1
EP512	6910019900	S.BEA MPZ1608S601AT	T	94.9/175.0
EP541	6910023350	S.BEA MMZ1005B601CT	B	65.2/182.1
EP561	6910023350	S.BEA MMZ1005B601CT	T	71.0/191.8
EP571	6910023350	S.BEA MMZ1005B601CT	T	109.8/203.8
EP591	6910023350	S.BEA MMZ1005B601CT	B	88.5/172.8
EP601	6910023350	S.BEA MMZ1005B601CT	T	79.5/169.3
EP602	6910023350	S.BEA MMZ1005B601CT	T	80.6/169.3
EP1001	6910018930	S.BEA MPZ2012S601A	T	4.9/174.7
EP1002	6910018930	S.BEA MPZ2012S601A	T	23.3/173.5
EP1101	6910018930	S.BEA MPZ2012S601A	T	4.9/165.6
EP1201	6910018930	S.BEA MPZ2012S601A	T	4.5/156.9
EP2001	6910023420	S.BEA MMZ1005A222ET	T	104.2/137.7
EP2002	6910023350	S.BEA MMZ1005B601CT	B	90.3/140.7
EP2003	6910023350	S.BEA MMZ1005B601CT	T	79.4/134.3
EP2004	6910002161	CAS CASE-BM7H-LF		
EP2202	6910023350	S.BEA MMZ1005B601CT	T	68.6/116.2
EP2203	6910023350	S.BEA MMZ1005B601CT	T	66.5/110.6
EP2204	6910023350	S.BEA MMZ1005B601CT	T	69.5/116.2

Eqv.= This component is equivalent to the REF No. component listed above, and may be substituted on parts orders and repairs.

[MAIN UNIT]

REF NO.	PARTS NO.	DESCRIPTION	M.	H/V LOCATION
EP2205	6910023350	S.BEA MMZ1005B601CT	T	63.6/123.8
EP2206	6910002161	CAS CASE-BM7H-LF		
EP2211	6910002161	CAS CASE-BM7H-LF		
EP2404	6910002161	CAS CASE-BM7H-LF		
EP2756	6910002161	CAS CASE-BM7H-LF		
EP2901	6910023350	S.BEA MMZ1005B601CT	T	78.5/101.3
EP3001	6910023350	S.BEA MMZ1005B601CT	T	10.0/56.9
EP3236	6910023420	S.BEA MMZ1005A222ET	B	33.3/78.3
EP3251	6910023350	S.BEA MMZ1005B601CT	T	32.8/70.4
EP3252	6910023350	S.BEA MMZ1005B601CT	T	29.9/78.5
EP4001	6910023420	S.BEA MMZ1005A222ET	B	38.2/90.3
EP4002	6910023420	S.BEA MMZ1005A222ET	B	38.8/94.5
EP4003	6910023420	S.BEA MMZ1005A222ET	B	38.8/95.4
EP4051	6910023420	S.BEA MMZ1005A222ET	T	38.1/89.7
EP4052	6910023420	S.BEA MMZ1005A222ET	T	31.7/84.8
EP4103	6910023420	S.BEA MMZ1005A222ET	B	31.3/96.7
EP4104	6910023420	S.BEA MMZ1005A222ET	B	39.6/112.6
EP4201	6910023420	S.BEA MMZ1005A222ET	T	33.5/115.6
EP4251	6910023420	S.BEA MMZ1005A222ET	T	41.1/122.8
EP4601	6910023350	S.BEA MMZ1005B601CT	B	56.3/145.0
EP5001	6910018930	S.BEA MPZ2012S601A	B	130.8/155.1
EP5002	6910018930	S.BEA MPZ2012S601A	B	117.8/156.2
EP5003	6910019900	S.BEA MPZ1608S601AT	T	150.1/145.8
EP5004	6910019900	S.BEA MPZ1608S601AT	B	122.1/123.3
EP5005	6910019900	S.BEA MPZ1608S601AT	B	120.9/123.3
EP5051	6910021240	S.BEA MMZ1005A152ET	T	129.8/114.4
EP5052	6910023350	S.BEA MMZ1005B601CT	T	113.2/114.4
EP5053	6910023350	S.BEA MMZ1005B601CT	T	116.7/118.1
EP5055	6910023350	S.BEA MMZ1005B601CT	B	118.6/119.0
EP5071	6910019900	S.BEA MPZ1608S601AT	T	85.4/151.8
EP5072	6910019900	S.BEA MPZ1608S601AT	B	89.1/149.3
EP5073	6910019900	S.BEA MPZ1608S601AT	T	101.3/156.9
EP5501	6910019900	S.BEA MPZ1608S601AT	T	116.8/111.1
EP5502	6910016540	S.BEA BLM15AG121SN1D	T	117.0/103.4
EP6201	6910018930	S.BEA MPZ2012S601A	B	117.0/79.6
EP6401	6910019900	S.BEA MPZ1608S601AT	T	106.9/66.4
EP7001	6910023350	S.BEA MMZ1005B601CT	T	94.9/37.8
EP7002	6910023350	S.BEA MMZ1005B601CT	T	26.6/112.1
EP7003	6910023350	S.BEA MMZ1005B601CT	T	21.6/101.3
EP7004	6910023350	S.BEA MMZ1005B601CT	T	140.3/156.6

M.=Mounted side (T: Mounted on the Top side, B: Mounted on the Bottom side) S.=Surface mount

[PA UNIT]

REF NO.	PARTS NO.	DESCRIPTION	M.	H/V LOCATION
IC361	1110007950	S.IC INA199A2DCKR	T	29.1/86.1
IC392	1180001252	S.IC TA7808F(TE16L1NQ)	B	11.6/19.4
IC651	1110006380	S.IC LM2904PWR	T	131.3/151.1
IC751	1130010550	S.IC SN74AHC595PWR	T	8.9/115.0
IC960	1110006380	S.IC LM2904PWR	T	66.4/174.6
Q251	1560001530	FET RD15HVF1-101		
Q301	1560001591	FET RD70HVF1C-121		
Q302	1560001591	FET RD70HVF1C-121		
D101	1750001180	S.DIO KDS122 RTK/P	B	31.1/10.6
D102	1750001180	S.DIO KDS122 RTK/P	B	29.7/13.2
D151	1750001930	S.DIO HVD147KRF-E	T	81.0/102.2
D153	1750001930	S.DIO HVD147KRF-E	T	80.3/103.8
D161	1750001930	S.DIO HVD147KRF-E	T	30.3/21.4
D162	1750001930	S.DIO HVD147KRF-E	T	30.3/24.3
D181	1750002700	S.DIO MMBV3700 <KMC>	B	27.1/33.2
D182	1750002700	S.DIO MMBV3700 <KMC>	B	23.6/32.3
D261	1750002190	S.DIO JDP2S12CR(TE85LQ)	T	80.5/20.0
D301	1750001810	S.DIO L1SS400T1G <SLVJ>	B	99.9/54.4
D302	1750001810	S.DIO L1SS400T1G <SLVJ>	B	99.9/87.6
D371	1790000700	DIO DSA3A1		
D372	1790000700	DIO DSA3A1		
D373	1790000700	DIO DSA3A1		
D422	1750002060	S.DIO RN752TE-21	T	149.1/79.9
D423	1750002060	S.DIO RN752TE-21	B	138.8/88.6
D424	1750002060	S.DIO RN752TE-21	B	139.4/94.4
D425	1750002060	S.DIO RN752TE-21	B	139.4/98.2
D426	1750001810	S.DIO L1SS400T1G <SLVJ>	T	138.8/99.4
D427	1750001810	S.DIO L1SS400T1G <SLVJ>	T	138.8/101.3
D428	1750001810	S.DIO L1SS400T1G <SLVJ>	T	138.8/102.5
D431	1750002060	S.DIO RN752TE-21	T	139.6/60.4
D432	1750002060	S.DIO RN752TE-21	T	146.8/63.9
D433	1750002190	S.DIO JDP2S12CR(TE85LQ)	T	147.0/101.2
D434	1750002190	S.DIO JDP2S12CR(TE85LQ)	T	145.4/104.4
D451	1750001930	S.DIO HVD147KRF-E	T	121.4/107.1
D452	1750001930	S.DIO HVD147KRF-E	T	119.9/107.1
D454	1750002300	S.VAR KDV214EA-RTK/P	T	116.1/103.5
D455	1720000691	S.VAR 1SV282(TPH2F)	T	110.2/103.5
D456	1720000691	S.VAR 1SV282(TPH2F)	T	105.1/104.8
D461	1750001930	S.DIO HVD147KRF-E	T	87.7/104.2
D501	1750001810	S.DIO L1SS400T1G <SLVJ>	T	79.4/4.3
D531	1750001810	S.DIO L1SS400T1G <SLVJ>	B	125.6/74.8
D551	1750001930	S.DIO HVD147KRF-E	T	122.8/88.8
D552	1750001930	S.DIO HVD147KRF-E	T	120.9/87.5
D553	1750000721	S.VAR HVC375BTRF-E	T	114.8/92.0
D554	1750000721	S.VAR HVC375BTRF-E	T	114.8/88.8
D555	1750001930	S.DIO HVD147KRF-E	T	116.1/93.1
D556	1720000691	S.VAR 1SV282(TPH2F)	T	116.1/87.9
D557	1750001930	S.DIO HVD147KRF-E	T	103.2/93.6
D558	1720000691	S.VAR 1SV282(TPH2F)	T	103.2/88.5
D559	1750000721	S.VAR HVC375BTRF-E	T	102.0/93.6
D560	1750000721	S.VAR HVC375BTRF-E	T	102.0/90.4
D561	1750001930	S.DIO HVD147KRF-E	T	89.6/102.0
D651	1750002230	S.DIO LRB751S-40T1G <SLVJ>	T	143.7/162.7
D652	1750002170	S.DIO DB2S31400L	B	62.6/168.9
D661	1750002230	S.DIO LRB751S-40T1G <SLVJ>	T	136.3/167.1
D662	1750002170	S.DIO DB2S31400L	B	62.6/175.3
D801	1750001180	S.DIO KDS122 RTK/P	T	69.3/101.2
D820	1750001180	S.DIO KDS122 RTK/P	B	111.8/120.1
D840	1750001180	S.DIO KDS122 RTK/P	B	97.1/120.1
D860	1750001180	S.DIO KDS122 RTK/P	B	82.4/118.9
D880	1750001180	S.DIO KDS122 RTK/P	B	67.7/118.9
D900	1750001180	S.DIO KDS122 RTK/P	B	53.0/118.9
D920	1750001180	S.DIO KDS122 RTK/P	B	37.4/121.3
D940	1750001180	S.DIO KDS122 RTK/P	B	23.6/120.8
D961	1750002230	S.DIO LRB751S-40T1G <SLVJ>	B	87.3/171.8
D962	1750002230	S.DIO LRB751S-40T1G <SLVJ>	B	95.9/178.6
D966	1750002170	S.DIO DB2S31400L	B	62.6/178.3
D967	1750002170	S.DIO DB2S31400L	B	62.6/172.0
L101	6200005051	S.COI NLV25T-330J	T	43.3/13.2
L103	6200005131	S.COI NLC453232T-101K-PF	T	53.6/20.7
L104	6200005131	S.COI NLC453232T-101K-PF	T	53.6/17.0
L107	6200003881	S.COI NLV25T-022J	T	57.5/4.8
L108	6200003031	S.COI NLV32T-R47J	T	52.0/12.7
L109	6200002601	S.COI NLV25T-047J	T	55.9/11.9
L152	6200002041	S.COI NLV25T-101J	T	83.7/106.1
L161	6200004741	S.COI NLV25T-1R2J	B	32.3/18.5
L162	6200005521	S.COI NLV25T-470J	B	33.4/15.4
L163	6200002041	S.COI NLV25T-101J	B	37.6/25.6
L203	6200010040	S.COI AS100340-10N	T	94.7/46.1
L204	6200010040	S.COI AS100340-10N	T	83.2/33.5
L301	6140003410	COI LR-383		
L302	2040000490	COI EXC-ELDR25C		
L303	6140005300	COI LR-580 (TRB10X5X5 6DB)		
L304	6140004570	COI LR-507		
L305	6140004560	COI LR-506		
L307	2040000490	COI EXC-ELDR25C		
L308	2040000490	COI EXC-ELDR25C		
L411	6200010040	S.COI AS100340-10N	T	106.0/7.3
L421	6200010420	S.COI FHW1210HC 1R0JGT <JJE>	T	146.4/74.3
L423	6200010160	S.COI AS080440-22N	T	146.8/89.5
L424	6200013100	S.COI 0.45-1.5-5TL 18.3N <COMO>	T	141.7/92.5
L425	6200007790	S.COI LQW2BHN1R15J03L	T	142.3/96.5
L426	6200013000	S.COI 0.25-1.9-13TL 135N <COMO>	T	137.7/88.5
L427	6200013000	S.COI 0.25-1.9-13TL 135N <COMO>	T	137.2/93.0
L431	6200013000	S.COI 0.25-1.9-13TL 135N <COMO>	T	141.4/66.6
L432	6200010420	S.COI FHW1210HC 1R0JGT <JJE>	T	146.4/69.7
L433	6200013000	S.COI 0.25-1.9-13TL 135N <COMO>	T	138.5/48.7
L434	6200014330	S.COI 0.80-2.7-5TR 35.0N <COMO>	T	140.7/53.4
L435	6200013000	S.COI 0.25-1.9-13TL 135N <COMO>	T	142.9/103.0
L436	6200010420	S.COI FHW1210HC 1R0JGT <JJE>	T	146.5/97.6

Eqv.= This component is equivalent to the REF No. component listed above, and may be substituted on parts orders and repairs.

[PA UNIT]

REF NO.	PARTS NO.	DESCRIPTION	M.	H/V LOCATION
L437	6200010150	S.COI AS080340-15N	T	143.1/112.0
L441	6110000410	COI LA-69		
L442	6110000410	COI LA-69		
L451	6200005621	S.COI ELJRE 4N7ZFA	T	120.7/102.7
L452	6200012660	S.COI 0.30-1.0-4TR 9.1N <COMO>	T	118.0/104.9
L453	6200012490	S.COI 0.30-0.9-6TR 13.6N <COMO>	T	108.4/106.5
L454	6200012490	S.COI 0.30-0.9-6TR 13.6N <COMO>	T	102.8/105.6
L481	6200014130	S.COI MLG1608S R33J-T	T	90.8/105.9
L482	6200004741	S.COI NLV25T-1R2J	T	88.8/109.2
L521	6110003980	COI LA-604		
L522	2040000490	COI EXC-ELDR25C		
L523	2040000490	COI EXC-ELDR25C		
L531	6200010780	S.COI C2520C-1R0G-A	T	120.1/70.5
L532	6200010780	S.COI C2520C-1R0G-A	T	123.1/77.8
L533	6200008911	S.COI 1812CS-122XJLJC	T	121.8/61.4
L541	6200010050	S.COI AS080547-47N	T	130.8/116.2
L542	6200010060	S.COI AS080547-56N	T	132.3/123.6
L543	6200010050	S.COI AS080547-47N	T	132.0/132.5
L551	6200007700	S.COI LQW2BHN2N3J03L	T	122.0/93.7
L552	6200007720	S.COI LQW2BHN3N3J03L	T	119.1/89.7
L553	6200008090	S.COI LQW2BHN6N3J03L	T	118.5/93.8
L554	6200003640	S.COI MLF1608E 100K-T	B	117.0/96.9
L555	6200003711	S.COI NLV25T-2R7J	T	107.1/93.5
L556	6200003640	S.COI MLF1608E 100K-T	B	104.1/98.1
L557	6200007760	S.COI LQW2BHN8N2N3J03L	T	101.1/95.8
L558	6200007710	S.COI LQW2BHN27N3J03L	T	100.1/91.1
L560	6200004741	S.COI NLV25T-1R2J	T	97.2/91.2
L591	6200010040	S.COI AS100340-10N	T	145.8/141.5
L592	6200010160	S.COI AS080440-22N	T	140.1/147.8
L593	6200010150	S.COI AS080340-15N	T	139.8/154.3
L651	6200002651	S.COI NLV25T-R18J	T	146.0/161.7
L652	6200002041	S.COI NLV25T-101J	T	128.2/151.7
L661	6200002651	S.COI NLV25T-R18J	T	134.0/168.2
L701	6200011300	S.COI EXCML16A270U	T	11.7/50.4
L702	6200011300	S.COI EXCML16A270U	T	12.9/54.0
L731	6200003550	S.COI MLF1608A 4R7K-T	T	17.4/89.9
L732	6200003550	S.COI MLF1608A 4R7K-T	T	17.4/91.1
L741	6200003241	S.COI NLV32T-221J	T	34.3/171.6
L742	6200003241	S.COI NLV32T-221J	T	34.3/174.6
L751	6200002041	S.COI NLV25T-101J	T	15.5/149.1
L752	6200002041	S.COI NLV25T-101J	T	6.0/10.3
L801	6200010650	S.COI C2520C-R12G-A (0.12U)	T	78.0/105.5
L802	6200010650	S.COI C2520C-R12G-A (0.12U)	T	72.9/104.9
L803	6200002041	S.COI NLV25T-101J	T	69.2/107.2
L820	6200005031	S.COI NLV25T-180J	B	108.9/112.8
L822	6110002890	COI LA-478		
L823	6140003540	COI LR-387 (T50-10)		
L831	6200005031	S.COI NLV25T-180J	B	108.2/163.0
L840	6200002041	S.COI NLV25T-101J	B	94.5/113.0
L841	6140001800	COI LR-216 (T50-2)		
L842	6140001800	COI LR-216 (T50-2)		
L843	6140001800	COI LR-216 (T50-2)		
L851	6200002041	S.COI NLV25T-101J	B	94.2/163.5
L860	6200002861	S.COI NLV25T-4R7J	B	79.3/111.8
L861	6110003980	COI LA-604		
L862	6110003880	COI LA-590		
L863	6110003601	COI LA-555A		
L871	6200002861	S.COI NLV25T-4R7J	B	79.7/167.3
L880	6200002041	S.COI NLV25T-101J	B	64.8/111.8
L881	6140002570	COI LR-294 (T50-2)		
L882	6140002580	COI LR-295 (T50-2)		
L891	6200002041	S.COI NLV25T-101J	B	65.7/166.6
L900	6200010221	S.COI NLV25T-560J	B	50.3/112.8
L901	6140002560	COI LR-293 (T50-10)		
L902	6140002560	COI LR-293 (T50-10)		
L903	6140002560	COI LR-293 (T50-10)		
L911	6200010221	S.COI NLV25T-560J	B	49.4/165.4
L920	6200002041	S.COI NLV25T-101J	B	35.8/113.0
L921	6140001780	COI LR-214 (T50-2)		
L922	6140001780	COI LR-214 (T50-2)		
L931	6200002041	S.COI NLV25T-101J	B	36.4/163.4
L940	6200009871	S.COI NLV25T-120J	B	19.3/115.4
L942	6140002020	COI LR-229 (T50-10)		
L943	6140003540	COI LR-396		
L951	6200009871	S.COI NLV25T-120J	B	19.6/156.7
L952	6200002041	S.COI NLV25T-101J	B	18.2/120.4
L960	6200002041	S.COI NLV25T-101J	T	61.7/177.6
L961	6140004721	COI LR-532A		
R101	7030003340	S.RES ERJ3GEYJ 151 V (150)	T	32.8/15.5
R102	7030003270	S.RES ERJ3GEYJ 390 V (39)	T	30.8/14.8
R103	7030003340	S.RES ERJ3GEYJ 151 V (150)	T	32.8/14.0
R104	7030003300	S.RES ERJ3GEYJ 680 V (68)	B	35.8/12.8
R105	7030003420	S.RES ERJ3GEYJ 681 V (680)	B	39.8/9.8
R106	7030012040	S.RES ERJ3GEYJ 242V (2.4K)	B	38.9/14.4
R107	7030003540	S.RES ERJ3GEYJ 682 V (6.8K)	B	38.1/16.7
R108	7030003400	S.RES ERJ3GEYJ 471 V (470)	T	41.4/13.2
R109	7030008190	S.RES ERJ12YJ330U (33)	T	48.1/22.9
R110	7030000230	S.RES MCR10EZJH 56 (560)	B	47.7/13.3
R111	7030003420	S.RES ERJ3GEYJ 681 V (

[PA UNIT]

REF NO.	PARTS NO.	DESCRIPTION	M.	H/V LOCATION
R188	7030003440	S.RES ERJ3GEYJ 102 V (1K)	B	31.6/29.5
R201	7030003320	S.RES ERJ3GEYJ 101 V (100)	B	58.8/32.6
R202	7030003520	S.RES ERJ3GEYJ 472 V (4.7K)	B	59.5/30.3
R204	7030003440	S.RES ERJ3GEYJ 102 V (1K)	B	59.5/23.3
R205	7030000230	S.RES MCR10EZJH 56 (560)	T	62.1/16.3
R251	7030009800	S.RES ERJ12YJ121U (120)	B	70.5/13.9
R261	7030006240	S.RES ERJ12YJ181U (180)	T	80.2/26.6
R292	7030003640	S.RES ERJ3GEYJ 473 V (47K)	T	43.3/29.2
R293	7030003440	S.RES ERJ3GEYJ 102 V (1K)	T	40.9/30.0
R301	7030009300	S.RES ERJ1WY0R00U	T	95.2/66.7
R302	7030010520	S.RES ERJ1TYJ 101U (100)	T	101.6/71.0
R303	7030009300	S.RES ERJ1WY0R00U	T	95.2/75.4
R304	7030003320	S.RES ERJ3GEYJ 101 V (100)	B	102.0/55.2
R305	7030010410	S.RES ERJ1TYJ 220U (22)	B	95.7/56.6
R306	7030003320	S.RES ERJ3GEYJ 101 V (100)	B	102.0/86.9
R307	7030010410	S.RES ERJ1TYJ 220U (22)	B	95.7/85.4
R308	7030003480	S.RES ERJ3GEYJ 222 V (2.2K)	T	95.8/59.7
R309	7030003480	S.RES ERJ3GEYJ 222 V (2.2K)	T	95.8/82.3
R310	7030007630	S.RES MCR100ZJHJ 0.68 (R68)	T	93.3/58.7
R311	7030007630	S.RES MCR100ZJHJ 0.68 (R68)	T	93.3/83.4
R312	7030011030	S.RES ERJ1TYJ 270U (27)	B	88.4/61.7
R313	7030010410	S.RES ERJ1TYJ 220U (22)	B	88.4/65.7
R314	7030010410	S.RES ERJ1TYJ 220U (22)	B	88.4/76.3
R315	7030011030	S.RES ERJ1TYJ 270U (27)	B	88.4/80.3
R317	7030010950	S.RES ERJ1TYJ 100U (10)	B	26.6/51.2
R318	7030010950	S.RES ERJ1TYJ 100U (10)	B	26.6/55.4
R319	7030010660	S.RES ERJ1TYJ 6R8U (6.8)	B	64.0/71.0
R351	7510001470	S.THE NTCG20 4AG 473JT	B	91.1/38.8
R352	7030003480	S.RES ERJ3GEYJ 222 V (2.2K)	B	92.8/35.8
R361	7030012720	S.RES PMR50HZPFV1L00 (0.001)	T	34.9/86.3
R364	7030003320	S.RES ERJ3GEYJ 101 V (100)	T	29.0/88.1
R365	7030003360	S.RES ERJ3GEYJ 221 V (220)	T	27.2/86.3
R391	7030003680	S.RES ERJ3GEYJ 104 V (100K)	T	5.5/28.5
R392	7030003670	S.RES ERJ3GEYJ 823 V (82K)	T	6.8/28.5
R393	7030003440	S.RES ERJ3GEYJ 102 V (1K)	T	2.5/31.4
R394	7030003640	S.RES ERJ3GEYJ 473 V (47K)	T	4.4/31.1
R395	7030009300	S.RES ERJ1WY0R00U	B	13.2/25.0
R422	7030007990	S.RES ERJ12YJ820U (82)	B	140.3/73.1
R424	7030001650	S.RES MCR18EZJH 270	T	138.9/97.7
R426	7030003270	S.RES ERJ3GEYJ 390 V (39)	T	135.7/102.0
R429	7030003270	S.RES ERJ3GEYJ 390 V (39)	T	136.9/102.0
R431	7030003560	S.RES ERJ3GEYJ 103 V (10K)	T	142.3/70.5
R433	7030006270	S.RES ERJ12YJ221U (220)	B	141.6/68.9
R434	7030006270	S.RES ERJ12YJ221U (220)	B	135.6/49.7
R435	7030003560	S.RES ERJ3GEYJ 103 V (10K)	T	140.0/105.6
R436	7030006270	S.RES ERJ12YJ221U (220)	B	141.7/104.8
R437	7030006270	S.RES ERJ12YJ221U (220)	B	141.7/109.0
R451	7030003470	S.RES ERJ3GEYJ 182 V (1.8K)	B	123.0/101.9
R452	7030004040	S.RES ERJ3GEYJ 4R7 V (4.7)	T	121.4/104.6
R453	7030003260	S.RES ERJ3GEYJ 330 V (33)	T	119.9/104.6
R455	7030003640	S.RES ERJ3GEYJ 473 V (47K)	B	116.1/102.3
R456	7030003710	S.RES ERJ3GEYJ 184 V (180K)	T	114.6/106.6
R457	7030003750	S.RES ERJ3GEYJ 394 V (390K)	B	114.6/106.6
R458	7030003710	S.RES ERJ3GEYJ 184 V (180K)	B	115.4/110.1
R459	7030003740	S.RES ERJ3GEYJ 334 V (330K)	B	114.6/108.7
R460	7030003740	S.RES ERJ3GEYJ 334 V (330K)	B	112.5/110.1
R461	7030003270	S.RES ERJ3GEYJ 390 V (39)	T	110.2/109.2
R462	7030003680	S.RES ERJ3GEYJ 104 V (100K)	B	110.2/103.4
R463	7030003520	S.RES ERJ3GEYJ 472 V (4.7K)	T	106.6/106.3
R464	7030003210	S.RES ERJ3GEYJ 120 V (12)	B	106.6/106.3
R465	7030003680	S.RES ERJ3GEYJ 104 V (100K)	B	105.9/100.6
R477	7030003370	S.RES ERJ3GEYJ 271 V (270)	T	87.7/106.8
R481	7030003490	S.RES ERJ3GEYJ 272 V (2.7K)	T	98.1/106.7
R482	7030003360	S.RES ERJ3GEYJ 221 V (220)	T	97.5/108.6
R483	7030003400	S.RES ERJ3GEYJ 471 V (470)	T	97.5/104.5
R484	7030003200	S.RES ERJ3GEYJ 100 V (10)	T	94.7/104.5
R492	7030003640	S.RES ERJ3GEYJ 473 V (47K)	T	53.8/29.6
R493	7030003440	S.RES ERJ3GEYJ 102 V (1K)	T	51.4/31.6
R502	7030003860	S.RES ERJ3GE JPW V	T	81.4/5.1
R504	7030007240	S.RES ERJ12YJ680U (68)	T	81.0/13.3
R521	7080001450	RES ERG3SJ 820 (82)		
R531	7030009891	S.RES ERA3YED 151V (150)	B	125.3/70.4
R532	7030009891	S.RES ERA3YED 151V (150)	B	125.3/71.8
R533	7030009661	S.RES ERA3YED 121V (120)	T	123.8/81.7
R534	7030009661	S.RES ERA3YED 121V (120)	T	123.8/80.5
R551	7030003470	S.RES ERJ3GEYJ 182 V (1.8K)	T	124.0/91.4
R552	7030004040	S.RES ERJ3GEYJ 4R7 V (4.7)	T	122.8/91.4
R553	7030003260	S.RES ERJ3GEYJ 330 V (33)	T	115.6/90.1
R554	7030003680	S.RES ERJ3GEYJ 104 V (100K)	B	119.9/88.1
R555	7030003440	S.RES ERJ3GEYJ 102 V (1K)	B	117.0/94.1
R556	7030003680	S.RES ERJ3GEYJ 104 V (100K)	B	119.0/89.7
R557	7030003740	S.RES ERJ3GEYJ 334 V (330K)	T	111.3/90.7
R558	7030003710	S.RES ERJ3GEYJ 184 V (180K)	T	113.3/91.9
R559	7030003720	S.RES ERJ3GEYJ 224 V (220K)	T	115.9/96.0
R560	7030003720	S.RES ERJ3GEYJ 224 V (220K)	T	113.5/96.8
R561	7030003740	S.RES ERJ3GEYJ 334 V (330K)	T	112.3/96.8
R562	7030003270	S.RES ERJ3GEYJ 390 V (39)	T	109.5/90.5
R563	7030003420	S.RES ERJ3GEYJ 681 V (680)	T	105.2/93.5
R564	7030003210	S.RES ERJ3GEYJ 120 V (12)	T	105.2/90.8
R565	7030003440	S.RES ERJ3GEYJ 102 V (1K)	B	104.1/94.7
R567	7030003680	S.RES ERJ3GEYJ 104 V (100K)	B	106.1/90.1
R568	7030003680	S.RES ERJ3GEYJ 104 V (100K)	B	103.9/91.7
R570	7030003370	S.RES ERJ3GEYJ 271 V (270)	B	99.0/92.5
R575	7030003520	S.RES ERJ3GEYJ 472 V (4.7K)	B	106.7/91.7
R576	7030003540	S.RES ERJ3GEYJ 682 V (6.8K)	B	107.5/93.3
R577	7030003520	S.RES ERJ3GEYJ 472 V (4.7K)	B	119.0/88.1
R578	7030003540	S.RES ERJ3GEYJ 682 V (6.8K)	B	119.0/86.5
R591	7030010220	S.RES MCR18EZJH 47 K	B	143.6/172.6
R651	7030010980	S.RES ERA3YHD 470V (47)	T	143.8/167.0
R652	7030003560	S.RES ERJ3GEYJ 103 V (10K)	B	132.0/151.1
R653	7030003680	S.RES ERJ3GEYJ 104 V (100K)	B	130.2/147.7
R654	7030003680	S.RES ERJ3GEYJ 104 V (100K)	T	131.3/144.1
R655	7030003580	S.RES ERJ3GEYJ 153 V (15K)	T	128.5/146.5
R656	7030003620	S.RES ERJ3GEYJ 333 V (33K)	T	131.3/146.5
R657	7030003560	S.RES ERJ3GEYJ 103 V (10K)	B	128.4/151.1

Eqv.= This component is equivalent to the REF No. component listed above, and may be substituted on parts orders and repairs.

[PA UNIT]

REF NO.	PARTS NO.	DESCRIPTION	M.	H/V LOCATION
R658	7030003380	S.RES ERJ3GEYJ 331 V (330)	B	130.2/151.1
R659	7510001561	S.THE NTCG16 4BH 102JT	T	131.3/145.3
R661	7030010980	S.RES ERA3YHD 470V (47)	T	136.2/162.8
R662	7030003560	S.RES ERJ3GEYJ 103 V (10K)	B	131.4/158.2
R663	7030003680	S.RES ERJ3GEYJ 104 V (100K)	B	132.2/155.6
R664	7030003680	S.RES ERJ3GEYJ 104 V (100K)	T	131.3/157.0
R665	7030003590	S.RES ERJ3GEYJ 183 V (18K)	T	128.5/157.0
R666	7030003650	S.RES ERJ3GEYJ 563 V (56K)	T	131.3/155.7
R667	7030003560	S.RES ERJ3GEYJ 103 V (10K)	B	128.9/155.6
R668	7030003380	S.RES ERJ3GEYJ 331 V (330)	B	128.9/153.8
R751	7030003320	S.RES ERJ3GEYJ 101 V (100)	T	10.2/94.2
R752	7030003320	S.RES ERJ3GEYJ 101 V (100)	T	17.4/92.9
R753	7030003320	S.RES ERJ3GEYJ 101 V (100)	T	10.0/91.8
R754	7030003320	S.RES ERJ3GEYJ 101 V (100)	T	10.0/93.0
R755	7030003560	S.RES ERJ3GEYJ 103 V (10K)	B	9.6/99.1
R756	7030003560	S.RES ERJ3GEYJ 103 V (10K)	B	18.6/93.6
R757	7030003560	S.RES ERJ3GEYJ 103 V (10K)	B	11.1/92.5
R758	7030003560	S.RES ERJ3GEYJ 103 V (10K)	B	11.1/95.7
R771	7030000280	S.RES MCR10EZJH 150 (151)	T	17.6/151.3
R772	7030000290	S.RES MCR10EZJH 180 (181)	T	17.6/153.0
R791	7030003400	S.RES ERJ3GEYJ 471 V (470)	B	23.6/14.3
R960	7030003380	S.RES ERJ3GEYJ 331 V (330)	B	65.1/176.6
R961	7030003380	S.RES ERJ3GEYJ 331 V (330)	B	65.1/173.9
R962	7030003560	S.RES ERJ3GEYJ 103 V (10K)	B	65.1/170.5
R963	7030003560	S.RES ERJ3GEYJ 103 V (10K)	B	65.1/178.4
R964	7030003560	S.RES ERJ3GEYJ 103 V (10K)	B	84.6/171.2
R965	7030003560	S.RES ERJ3GEYJ 103 V (10K)	B	77.0/171.2
R966	7030007180	S.RES ERJ12YJ150U (15)	B	68.7/176.4
R967	7030003640	S.RES ERJ3GEYJ 473 V (47K)	T	68.6/171.0
R968	7030003560	S.RES ERJ3GEYJ 103 V (10K)	T	92.7/180.4
R969	7030003560	S.RES ERJ3GEYJ 103 V (10K)	B	76.9/174.5
R970	7030003640	S.RES ERJ3GEYJ 473 V (47K)	T	69.1/178.3
R971	7540000330	S.ABS CSA70-401L-T	B	102.6/173.6
R972	7030010210	S.RES MCR18EZJH 100 K	B	102.7/177.0
R973	7030003620	S.RES ERJ3GEYJ 333 V (33K)	T	66.0/179.0
R974	7030003620	S.RES ERJ3GEYJ 333 V (33K)	T	65.3/170.2
R975	7030003860	S.RES ERJ3GE JPW V	T	69.8/172.5
R976	7030003860	S.RES ERJ3GE JPW V	T	69.8/175.2
R977	7030003650	S.RES ERJ3GEYJ 563 V (56K)	T	65.3/169.0
R978	7030003650	S.RES ERJ3GEYJ 563 V (56K)	T	66.0/180.2
R979	7030007180	S.RES ERJ12YJ150U (15)	B	90.0/180.7
C101	4030011600	S.CER C1608 JB 1E 104K-T	T	32.8/11.1
C102	4030011600	S.CER C1608 JB 1E 104K-T	B	38.9/12.8
C103	4030011340	S.CER C1608 CH 1H 471J-T	B	36.7/9.8
C104	4030011600	S.CER C1608 JB 1E 104K-T	T	40.9/15.2
C105	4510010300	S.ELE 16 CE 470 AX	T	40.9/20.7
C106	4030011600	S.CER C1608 JB 1E 104K-T	T	44.2/25.7
C107	4030011600	S.CER C1608 JB 1E 104K-T	T	45.7/9.4
C108	4030011600	S.CER C1608 JB 1E 104K-T	B	49.5/15.5
C109	4030011340	S.CER C1608 CH 1H 471J-T	B	47.6/11.3
C112	4030011600	S.CER C1608 JB 1E 104K-T	B	53.8/14.6
C114	4030011600	S.CER C1608 JB 1E 104K-T	T	52.3/25.1
C116	4030007100	S.CER C1608 CH 1H 560J-T	T	56.1/10.0
C118	4030007020	S.CER C1608 CH 1H 120J-T	T	58.1/8.0
C122	4510009920	S.ELE 16 CE 100 LH	T	59.0/25.2
C151	4030011600	S.CER C1608 JB 1E 104K-T	T	80.3/106.3
C152	4030011600	S.CER C1608 JB 1E 104K-T	T	83.6/108.4
C161	4030006850	S.CER C1608 JB 1H 471K-T	B	29.5/22.1
C162	4030011600	S.CER C1608 JB 1E 104K-T	B	29.5/23.7
C163	4030011600	S.CER C1608 JB 1E 104K-T	T	29.7/17.6
C164	4030006860	S.CER C1608 JB 1H 102K-T	T	30.9/17.6
C165	4030011600	S.CER C1608 JB 1E 104K-T	B	36.1/15.1
C166	4030009520	S.CER C1608 CH 1H 020B-T	B	41.0/68.6
C167	4030009520	S.CER C1608 CH 1H 020B-T	B	38.9/87.7
C168	4030009540	S.CER C1608 CH 1H 1R5B-T	B	59.5/96.4
C181	4030006900	S.CER C1608 JB 1H 103K-T	B	30.3/33.4
C182	4030019120	S.CER GRM188B31E105KA75D	B	30.7/27.9
C201	4030011600	S.CER C1608 JB 1E 104K-T	T	61.6/10.0
C202	4030006860	S.CER C1608 JB 1H 102K-T	T	61.6/11.2
C204	4030011600	S.CER C1608 JB 1E 104K-T	B	59.5/21.5
C205	4030006860	S.CER C1608 JB 1H 102K-T	B	59.5/35.0
C206	4030006860	S.CER C1608 JB		

[PA UNIT]

REF NO.	PARTS NO.	DESCRIPTION	M.	H/V LOCATION
C325	4030003810	S.MIC UC342H 1200J-T	B	51.5/66.0
C327	4030018790	S.CER C3225 JB 2E 104K-T	T	57.7/94.9
C331	4030011600	S.CER C1608 JB 1E 104K-T	B	99.3/55.9
C332	4030011600	S.CER C1608 JB 1E 104K-T	B	99.3/86.1
C333	4030018340	S.CER GRM31A5C2J331JW01D	B	113.5/71.0
C351	4030006850	S.CER C1608 JB 1H 471K-T	B	88.5/35.1
C362	4030011600	S.CER C1608 JB 1E 104K-T	T	29.1/83.6
C371	4030017320	S.CER GRM21BB11H104KA01D (GRM40-034)	B	26.8/77.0
C372	4030006860	S.CER C1608 JB 1H 102K-T	B	26.9/75.0
C373	4510010300	S.ELE 16 CE 470 AX	T	34.1/38.4
C374	4510010450	S.ELE EEEFT1C102AP	T	14.2/24.1
C375	4030011600	S.CER C1608 JB 1E 104K-T	T	34.4/98.2
C376	4030006900	S.CER C1608 JB 1H 103K-T	T	33.1/98.2
C377	4030006860	S.CER C1608 JB 1H 102K-T	T	31.8/98.2
C378	4510010300	S.ELE 16 CE 470 AX	T	43.2/109.6
C379	4510010450	S.ELE EEEFT1C102AP	T	51.1/102.2
C381	4030006860	S.CER C1608 JB 1H 102K-T	T	23.2/30.8
C382	4030006900	S.CER C1608 JB 1H 103K-T	T	23.2/32.3
C383	4030006900	S.CER C1608 JB 1H 103K-T	T	23.2/33.8
C391	4030011600	S.CER C1608 JB 1E 104K-T	B	18.8/20.9
C392	4030019560	S.CER GRM21BB31C106KE15L	B	14.7/15.0
C411	4030021280	S.CER GQM22M5C2H180JB01L	T	106.6/12.6
C412	4030021350	S.CER GQM22M5C2H270JB01L	T	110.8/10.5
C413	4030021430	S.CER GQM22M5C2H4R0CB01L	T	151.2/18.4
C420	4030004810	S.CER C2012 CH 1H 040C-T	T	139.6/95.5
C421	4030006860	S.CER C1608 JB 1H 102K-T	B	137.4/65.8
C422	4030011090	S.CER GRM31M2C2H7R0DV01D (GRM42-6)	T	146.9/85.0
C423	4030004840	S.CER C2012 CH 1H 070D-T	T	142.2/86.9
C424	4030020730	S.CER GRM31A5C2J471JW01D	B	137.5/85.2
C425	4030004710	S.CER C2012 JB 1H 471K-T	B	135.6/91.6
C428	4030006860	S.CER C1608 JB 1H 102K-T	T	136.1/99.4
C429	4030006850	S.CER C1608 JB 1H 471K-T	T	138.7/86.2
C430	4030006850	S.CER C1608 JB 1H 471K-T	T	135.3/90.9
C431	4030020730	S.CER GRM31A5C2J471JW01D	T	149.7/72.0
C432	4030021210	S.CER GRM31A5C2J150JW01D	T	143.8/57.7
C433	4030021230	S.CER GRM31B5C2J102JW01L	T	136.4/44.6
C434	4030006860	S.CER C1608 JB 1H 102K-T	T	140.3/69.7
C435	4030006860	S.CER C1608 JB 1H 102K-T	T	140.3/73.3
C436	4030011040	S.CER GRM31M4C2H2R0CY21D (GRM42-6)	T	143.8/49.2
C437	4030021200	S.CER GRM31A5C2J120JW01D	T	143.9/108.4
C438	4030006860	S.CER C1608 JB 1H 102K-T	T	143.1/106.0
C439	4030006860	S.CER C1608 JB 1H 102K-T	T	136.9/106.4
C440	4030020730	S.CER GRM31A5C2J471JW01D	T	149.6/95.3
C441	4030020730	S.CER GRM31A5C2J471JW01D	T	144.4/120.3
C442	4030011080	S.CER GRM31M2C2H6R0DV01D (GRM42-6)	T	144.4/125.8
C443	4030011100	S.CER GRM31M2C2H8R0DV01D (GRM42-6)	T	141.7/130.9
C444	4030021310	S.CER GQM22M5C2H680JB01L	T	151.4/130.3
C448	4030011130	S.CER GRM31M2C2H110JV01D (GRM42-6)	T	140.7/115.4
C449	4030006860	S.CER C1608 JB 1H 102K-T	B	137.5/108.3
C452	4030007020	S.CER C1608 CH 1H 120J-T	T	123.5/102.7
C453	4030006860	S.CER C1608 JB 1H 102K-T	B	123.0/103.6
C454	4030007040	S.CER C1608 CH 1H 180J-T	T	116.1/106.6
C456	4030009910	S.CER C1608 CH 1H 040B-T	T	118.0/102.7
C457	4030006860	S.CER C1608 JB 1H 102K-T	B	116.9/100.0
C458	4030006860	S.CER C1608 JB 1H 102K-T	T	114.6/103.5
C459	4030006860	S.CER C1608 JB 1H 102K-T	B	119.7/110.3
C461	4030011600	S.CER C1608 JB 1E 104K-T	B	111.7/108.7
C462	4030011600	S.CER C1608 JB 1E 104K-T	T	115.0/109.2
C463	4030006860	S.CER C1608 JB 1H 102K-T	T	113.8/109.2
C464	4030011600	S.CER C1608 JB 1E 104K-T	T	113.0/103.5
C465	4030011600	S.CER C1608 JB 1E 104K-T	T	111.4/109.2
C466	4030006860	S.CER C1608 JB 1H 102K-T	T	111.8/103.5
C467	4030006860	S.CER C1608 JB 1H 102K-T	T	112.6/109.2
C468	4030007000	S.CER C1608 CH 1H 090D-T	T	110.2/106.6
C469	4030006860	S.CER C1608 JB 1H 102K-T	B	104.5/101.4
C470	4030011600	S.CER C1608 JB 1E 104K-T	T	107.5/103.5
C471	4030006860	S.CER C1608 JB 1H 102K-T	T	108.9/103.5
C472	4030009500	S.CER C1608 CH 1H 0R5B-T	T	104.6/107.4
C473	4030007000	S.CER C1608 CH 1H 090D-T	T	103.1/103.9
C474	4030009530	S.CER C1608 CH 1H 030B-T	T	101.8/107.4
C477	4030006860	S.CER C1608 JB 1H 102K-T	B	105.9/108.9
C480	4030007090	S.CER C1608 CH 1H 470J-T	B	87.7/108.2
C482	4030006860	S.CER C1608 JB 1H 102K-T	T	90.8/104.6
C484	4030006860	S.CER C1608 JB 1H 102K-T	T	90.8/107.2
C491	4030011600	S.CER C1608 JB 1E 104K-T	T	57.7/32.3
C501	4030006900	S.CER C1608 JB 1H 103K-T	T	79.5/5.7
C503	4030006900	S.CER C1608 JB 1H 103K-T	T	73.3/5.7
C504	4030021230	S.CER GRM31B5C2J102JW01L	T	79.8/9.3
C509	4030021270	S.CER GQM22M5C2H120JB01L	B	102.1/25.9
C510	4030021270	S.CER GQM22M5C2H120JB01L	B	102.1/14.1
C511	4030021300	S.CER GQM22M5C2H330JB01L	B	98.8/25.9
C512	4030021300	S.CER GQM22M5C2H330JB01L	B	98.8/14.1
C513	4030021440	S.CER GQM22M5C2H470JB01L	T	117.8/35.1
C514	4030021310	S.CER GQM22M5C2H680JB01L	T	117.8/31.8
C516	4030021230	S.CER GRM31B5C2J102JW01L	T	129.3/53.6
C521	4030021230	S.CER GRM31B5C2J102JW01L	T	100.5/37.8
C522	4030021230	S.CER GRM31B5C2J102JW01L	B	98.9/36.1
C523	4030021230	S.CER GRM31B5C2J102JW01L	T	100.5/39.9
C524	4030021230	S.CER GRM31B5C2J102JW01L	B	98.9/33.5
C525	4030006900	S.CER C1608 JB 1H 103K-T	T	111.2/53.7
C531	4030006900	S.CER C1608 JB 1H 103K-T	T	121.1/80.5
C532	4030006900	S.CER C1608 JB 1H 103K-T	B	125.6/73.5
C533	4030007090	S.CER C1608 CH 1H 470J-T	T	121.3/66.7
C534	4030006850	S.CER C1608 JB 1H 471K-T	T	121.3/65.5
C535	4030006860	S.CER C1608 JB 1H 102K-T	T	121.3/64.3
C536	4030006900	S.CER C1608 JB 1H 103K-T	T	121.0/74.2
C541	4030020770	S.CER GRM31A5C2J330JW01D	T	131.4/109.2
C542	4030011090	S.CER GRM31M2C2H7R0DV01D (GRM42-6)	T	133.7/113.6

Eqv.= This component is equivalent to the REF No. component listed above, and may be substituted on parts orders and repairs.

[PA UNIT]

REF NO.	PARTS NO.	DESCRIPTION	M.	H/V LOCATION
C543	4030020760	S.CER GRM31A5C2J270JW01D	T	126.3/119.1
C544	4030011040	S.CER GRM31M4C2H2R0CY21D (GRM42-6)	T	135.1/126.4
C545	4030021060	S.CER GRM31A5C2J270JW01D	T	128.1/128.2
C546	4030011080	S.CER GRM31M2C2H6R0DV01D (GRM42-6)	T	128.0/111.3
C547	4030021200	S.CER GRM31A5C2J120JW01D	T	126.3/121.2
C551	4030006860	S.CER C1608 JB 1H 102K-T	T	124.1/88.1
C552	4030006860	S.CER C1608 JB 1H 102K-T	T	120.1/92.0
C553	4030006850	S.CER C1608 JB 1H 471K-T	T	116.1/90.4
C554	4030006860	S.CER C1608 JB 1H 102K-T	T	114.0/93.8
C555	4030006860	S.CER C1608 JB 1H 102K-T	T	116.3/98.0
C556	4030011600	S.CER C1608 JB 1E 104K-T	T	110.3/96.0
C557	4030006860	S.CER C1608 JB 1H 102K-T	T	108.3/90.5
C558	4030006860	S.CER C1608 JB 1H 102K-T	T	107.1/90.5
C559	4030006860	S.CER C1608 JB 1H 102K-T	T	104.5/95.4
C560	4030006860	S.CER C1608 JB 1H 102K-T	B	102.5/98.1
C561	4030006850	S.CER C1608 JB 1H 471K-T	T	103.2/91.0
C562	4030006860	S.CER C1608 JB 1H 102K-T	T	99.3/93.5
C563	4030006860	S.CER C1608 JB 1H 102K-T	B	108.9/90.1
C565	4030006860	S.CER C1608 JB 1H 102K-T	B	99.0/94.8
C567	4030006860	S.CER C1608 JB 1H 102K-T	B	120.5/91.3
C591	4030011060	S.CER GRM31M2C2H4R0CY21D (GRM42-6)	T	145.4/146.9
C592	4030011080	S.CER GRM31M2C2H6R0DV01D (GRM42-6)	T	143.1/151.2
C647	4030018480	S.CER GRM31A5C2J221JW01D	B	24.1/145.1
C651	4030011600	S.CER C1608 JB 1E 104K-T	T	128.8/148.5
C653	4030006860	S.CER C1608 JB 1H 102K-T	T	145.3/164.0
C654	4030006860	S.CER C1608 JB 1H 102K-T	T	148.3/160.6
C656	4030006860	S.CER C1608 JB 1H 102K-T	B	126.6/151.1
C663	4030006860	S.CER C1608 JB 1H 102K-T	T	134.8/165.8
C664	4030006860	S.CER C1608 JB 1H 102K-T	T	131.7/169.2
C665	4030006860	S.CER C1608 JB 1H 102K-T	B	132.2/153.8
C666	4030006860	S.CER C1608 JB 1H 102K-T	B	128.9/157.4
C701	4030007130	S.CER C1608 CH 1H 101J-T	T	9.7/54.8
C702	4030011600	S.CER C1608 JB 1E 104K-T	T	13.7/52.0
C703	4030011600	S.CER C1608 JB 1E 104K-T	T	7.4/66.8
C704	4030011600	S.CER C1608 JB 1E 104K-T	T	15.9/68.6
C705	4030011600	S.CER C1608 JB 1E 104K-T	T	15.9/72.2
C706	4030006900	S.CER C1608 JB 1H 103K-T	B	11.2/69.5
C707	4030011600	S.CER C1608 JB 1E 104K-T	T	5.6/68.7
C708	4030006900	S.CER C1608 JB 1H 103K-T	T	6.0/70.7
C709	4030006900	S.CER C1608 JB 1H 103K-T	T	5.9/72.7
C710	4030007130	S.CER C1608 CH 1H 101J-T	T	7.4/68.3
C711	4030011600	S.CER C1608 JB 1E 104K-T	T	20.4/80.3
C712	4030011600	S.CER C1608 JB 1E 104K-T	T	20.4/81.5
C713	4030011600	S.CER C1608 JB 1E 104K-T	T	20.5/82.7
C714	4030011600	S.CER C1608 JB 1E 104K-T	T	20.5/83.9
C715	4030011600	S.CER C1608 JB 1E 104K-T	T	20.5/85.1
C716	4030011600	S.CER C1608 JB 1E 104K-T	T	20.5/86.3
C717	4030006860	S.CER C1608 JB 1H 102K-T	T	20.5/87.5
C718	4030006860	S.CER C1608 JB 1H 102K-T	T	20.5/88.7
C721	4030006900	S.CER C1608 JB 1H 103K-T	B	9.3/80.3
C722	4030006900	S.CER C1608 JB 1H 103K-T	T	6.6/80.0
C723	4030011600	S.CER C1608 JB 1E 104K-T	T	6.6/81.5
C724	4030011600	S.CER C1608 JB 1E 104K-T	T	6.6/82.7
C725	4030006860	S.CER C1608 JB 1H 102K-T	T	6.6/86.3
C727	4030011600	S.CER C1608 JB 1E 104K-T	T	6.6/88.7
C728	4030011600	S.CER C1608 JB 1E 104K-T	T	6.6/85.1
C729	4030011600	S.CER C1608 JB 1E 104K-T	T	6.6/83.9
C731	4030006860	S.CER C1608 JB 1H 102K-T	B	16.2/89.6
C732	4030006860	S.CER C1608 JB 1H 102K-T	B	17.0/91.2
C741	4030006860	S.CER C1608 JB 1H 102K-T	T	38.6/177.0
C742	4030006860	S.CER C1608 JB 1H 102K-T	T	38.6/174.6
C743	4030006860	S.CER C1608 JB 1H 102K-T	T	38.6/171.6
C750	4030011600	S.CER C1608 JB 1E 104K-T	T	8.7/111.3
C751	4030007090	S.CER C1608 CH 1H 470J-T	B	9.6/97.5
C752	4030006860	S.CER C1608 JB 1H 102K-T	B	16.3/92.9
C753	4030007090	S.CER C1608 CH 1H 470J-T	B	10.4/90.9
C754	4030007090	S.CER C1608 CH 1H 470J-T	B	10.4/94.1
C755	4030011600	S.CER C1608 JB 1E 104K-T	T	7.4/90.7
C756	4030011600	S.CER C1608 JB 1E 104K-T	T	14.5/146.6
C766	4030006860	S.CER C1608 JB 1H 102K-T	T	6.6/87.5
C771	4030006900	S.CER C1608 JB 1H 103K-T	T	63.8/109.6
C772	4030006900	S.CER C1608 JB 1H 103K-T	T	34.0/112.1
C773	4030006900	S.CER C1608 JB 1H 103K-T	T	93.3/111.6
C774				

[PA UNIT]

REF NO.	PARTS NO.	DESCRIPTION	M.	H/V LOCATION
C843	4030020800	S.CER GRM31A5C2J680JW01D	B	110.7/130.3
C844	4030020820	S.CER GRM31A5C2J121JW01D	B	102.5/137.2
C845	4030020810	S.CER GRM31A5C2J820JW01D	B	99.9/142.3
C846	4030018340	S.CER GRM31A5C2J331JW01D	B	99.9/137.2
C847	4030020720	S.CER GRM31A5C2J391JW01D	B	93.7/143.7
C848	4030021020	S.CER GRM31A5C2J101JW01D	B	103.6/148.5
C850	4030021020	S.CER GRM31A5C2J101JW01D	B	93.7/146.3
C851	4030006900	S.CER C1608 JB 1H 103K-T	B	94.7/159.5
C852	4030011600	S.CER C1608 JB 1E 104K-T	T	94.3/161.8
C854	4030018350	S.CER GRM31A5C2J151JW01D	B	93.7/152.6
C855	4030018350	S.CER GRM31A5C2J151JW01D	B	105.1/125.7
C857	4030020810	S.CER GRM31A5C2J820JW01D	B	110.7/132.8
C858	4030021020	S.CER GRM31A5C2J101JW01D	B	102.5/142.3
C859	4030018350	S.CER GRM31A5C2J151JW01D	B	96.1/155.2
C860	4030011600	S.CER C1608 JB 1E 104K-T	T	81.9/110.5
C861	4030006900	S.CER C1608 JB 1H 103K-T	B	79.7/115.2
C863	4030021210	S.CER GRM31A5C2J150JW01D	T	89.9/125.1
C864	4030021010	S.CER GRM31A5C2J390JW01D	B	84.5/127.9
C865	4030011080	S.CER GRM31M2C2H6R0DV01D (GRM42-6)	B	82.0/133.5
C866	4030020770	S.CER GRM31A5C2J330JW01D	B	85.1/146.2
C868	4030020770	S.CER GRM31A5C2J330JW01D	B	85.1/148.8
C869	4030020750	S.CER GRM31A5C2J220JW01D	B	81.0/155.2
C871	4030006900	S.CER C1608 JB 1H 103K-T	B	80.0/162.6
C872	4030011600	S.CER C1608 JB 1E 104K-T	T	79.6/163.4
C873	4030011100	S.CER GRM31M2C2H8R0DV01D (GRM42-6)	T	84.2/122.6
C875	4030011090	S.CER GRM31M2C2H7R0DV01D (GRM42-6)	B	79.4/148.5
C876	4030020770	S.CER GRM31A5C2J330JW01D	T	87.4/143.3
C877	4030021010	S.CER GRM31A5C2J390JW01D	B	82.7/129.7
C878	4030011070	S.CER GRM31M2C2H5R0CY21D (GRM42-6)	B	82.0/136.1
C880	4030011600	S.CER C1608 JB 1E 104K-T	T	67.6/109.6
C881	4030006900	S.CER C1608 JB 1H 103K-T	B	64.9/115.2
C882	4030021220	S.CER GRM31B5C2J681JW01L	B	63.2/124.1
C883	4030021220	S.CER GRM31B5C2J681JW01L	B	63.2/121.7
C884	4030020720	S.CER GRM31A5C2J391JW01D	B	68.3/130.1
C885	4030021220	S.CER GRM31B5C2J681JW01L	B	65.8/141.8
C886	4030018480	S.CER GRM31A5C2J221JW01D	B	65.8/139.4
C888	4030021220	S.CER GRM31B5C2J681JW01L	B	65.8/134.6
C889	4030020810	S.CER GRM31A5C2J820JW01D	B	69.2/145.3
C890	4030021220	S.CER GRM31B5C2J681JW01L	B	62.9/154.1
C891	4030006900	S.CER C1608 JB 1H 103K-T	B	65.3/162.6
C892	4030011600	S.CER C1608 JB 1E 104K-T	T	64.8/164.7
C893	4030021220	S.CER GRM31B5C2J681JW01L	B	65.8/137.0
C894	4030018350	S.CER GRM31A5C2J151JW01D	T	66.3/137.9
C896	4030021220	S.CER GRM31B5C2J681JW01L	B	62.9/156.7
C897	4030018480	S.CER GRM31A5C2J221JW01D	B	63.4/145.3
C899	4030020800	S.CER GRM31A5C2J680JW01D	B	69.2/147.8
C900	4030011600	S.CER C1608 JB 1E 104K-T	T	52.9/110.5
C901	4030006900	S.CER C1608 JB 1H 103K-T	B	50.6/116.3
C902	4030018480	S.CER GRM31A5C2J221JW01D	B	50.5/135.1
C903	4030020760	S.CER GRM31A5C2J270JW01D	B	51.3/141.4
C904	4030020810	S.CER GRM31A5C2J820JW01D	B	53.7/141.4
C905	4030018480	S.CER GRM31A5C2J221JW01D	B	51.1/145.7
C906	4030020790	S.CER GRM31A5C2J560JW01D	B	52.7/152.1
C907	4030020790	S.CER GRM31A5C2J560JW01D	B	52.0/156.5
C911	4030006900	S.CER C1608 JB 1H 103K-T	B	50.3/162.4
C912	4030011600	S.CER C1608 JB 1E 104K-T	T	49.9/162.8
C920	4030011600	S.CER C1608 JB 1E 104K-T	T	37.7/111.7
C921	4030006900	S.CER C1608 JB 1H 103K-T	B	35.9/116.5
C922	4030021220	S.CER GRM31B5C2J681JW01L	B	35.5/129.4
C923	4030021020	S.CER GRM31A5C2J101JW01D	B	42.8/128.7
C924	4030020730	S.CER GRM31A5C2J471JW01D	B	39.0/140.2
C925	4030020810	S.CER GRM31A5C2J820JW01D	B	43.1/144.8
C926	4030020730	S.CER GRM31A5C2J471JW01D	B	39.0/135.0
C927	4030020720	S.CER GRM31A5C2J391JW01D	B	38.2/152.4
C928	4030020720	S.CER GRM31A5C2J391JW01D	B	38.2/149.7
C929	4030020730	S.CER GRM31A5C2J471JW01D	B	39.0/137.6
C931	4030006900	S.CER C1608 JB 1H 103K-T	B	35.6/159.5
C932	4030011600	S.CER C1608 JB 1E 104K-T	T	35.0/162.1
C933	4030021020	S.CER GRM31A5C2J101JW01D	B	37.4/125.2
C934	4030020810	S.CER GRM31A5C2J820JW01D	B	42.8/126.2
C940	4030011600	S.CER C1608 JB 1E 104K-T	T	23.1/112.1
C941	4030006900	S.CER C1608 JB 1H 103K-T	B	21.2/116.5
C944	4030020790	S.CER GRM31A5C2J560JW01D	B	24.6/132.6
C945	4030020790	S.CER GRM31A5C2J560JW01D	B	24.6/130.1
C946	4030020760	S.CER GRM31A5C2J270JW01D	B	31.4/138.5
C949	4030020770	S.CER GRM31A5C2J330JW01D	B	24.1/140.1
C950	4030020780	S.CER GRM31A5C2J470JW01D	B	28.7/146.8
C951	4030006900	S.CER C1608 JB 1H 103K-T	B	20.9/159.5
C952	4030011600	S.CER C1608 JB 1E 104K-T	T	19.6/159.4
C953	4030020800	S.CER GRM31A5C2J680JW01D	B	23.9/150.7
C954	4030020790	S.CER GRM31A5C2J560JW01D	B	23.9/153.4
C955	4030006860	S.CER C1608 JB 1H 102K-T	B	53.1/178.8
C956	4030006860	S.CER C1608 JB 1H 102K-T	B	51.3/178.8
C961	4030011600	S.CER C1608 JB 1E 104K-T	T	63.9/176.8
C962	4030006860	S.CER C1608 JB 1H 102K-T	B	65.1/172.1
C963	4030006860	S.CER C1608 JB 1H 102K-T	B	65.1/180.0
C964	4030011040	S.CER GRM31M4C2H2R0CY21D (GRM42-6)	T	89.7/167.7
C965	4030004750	S.CER C2012 JB 1H 103K-T	B	95.0/180.7
C966	4030007020	S.CER C1608 CH 1H 120J-T	B	84.0/178.5
C967	4030011340	S.CER C1608 CH 1H 471J-T	T	67.4/169.5
C968	4030006860	S.CER C1608 JB 1H 102K-T	B	80.6/172.0
C969	4030006860	S.CER C1608 JB 1H 102K-T	B	79.0/173.8
C972	4030018790	S.CER C3225 JB 2E 104K-T	T	102.7/173.0
C973	4030011540	S.CER C1608 CH 1H 750J-T	B	94.6/175.2
C974	4030007000	S.CER C1608 CH 1H 090D-T	B	93.6/176.2
C975	4030011540	S.CER C1608 CH 1H 750J-T	B	91.4/172.1
C976	4030007000	S.CER C1608 CH 1H 090D-T	B	90.5/173.1
C979	4030011040	S.CER GRM31M4C2H2R0CY21D (GRM42-6)	T	99.0/177.0
C1001	4030021000	S.CER GRM31A5C2J100JW01D	T	87.8/125.1

Eqv.= This component is equivalent to the REF No. component listed above, and may be substituted on parts orders and repairs.

[PA UNIT]

REF NO.	PARTS NO.	DESCRIPTION	M.	H/V LOCATION
RL531	6330001890	REL EC2-3NU		
RL801	6330002020	REL FTR-B4CA009Z		
RL820	6330002020	REL FTR-B4CA009Z		
RL821	6330002020	REL FTR-B4CA009Z		
RL840	6330002020	REL FTR-B4CA009Z		
RL841	6330002020	REL FTR-B4CA009Z		
RL860	6330002020	REL FTR-B4CA009Z		
RL861	6330002020	REL FTR-B4CA009Z		
RL880	6330002020	REL FTR-B4CA009Z		
RL881	6330002020	REL FTR-B4CA009Z		
RL900	6330002020	REL FTR-B4CA009Z		
RL901	6330002020	REL FTR-B4CA009Z		
RL920	6330002020	REL FTR-B4CA009Z		
RL921	6330002020	REL FTR-B4CA009Z		
RL940	6330002020	REL FTR-B4CA009Z		
RL941	6330002020	REL FTR-B4CA009Z		
J101	6510028210	CON SJ050010 (TMP-J01X-V6)		
J701	6510021722	S.CON 30FLT-SM2-TB(LF)(SN)(M)	T	12.3/64.5
J711	6510021722	S.CON 30FLT-SM2-TB(LF)(SN)(M)	T	13.8/87.3
J741	6510018971	S.CON B4B-PH-SM4-TB(LF)(SN)	T	26.5/175.7
J791	6510019371	S.CON B3B-ZR-SM4-TF(LF)(SN)	T	25.8/3.8
F1	5220000341	HOL FHA010-03F		
F2	5210000940	FUS 1205		
EP3	6910020710	E.O OT-047 M3		
EP4	6910020710	E.O OT-047 M3		
EP105	6910014690	S.BEA MPZ1608S221A-T	T	54.2/24.4
EP161	6910018240	S.BEA MMZ1608Y152CT	B	36.9/22.9
EP202	6910012350	S.BEA MMZ1608Y 102BT	B	59.5/25.0
EP481	6910012350	S.BEA MMZ1608Y 102BT	B	89.5/108.2
EP501	6910012350	S.BEA MMZ1608Y 102BT	T	76.4/5.7
EP701	6910012350	S.BEA MMZ1608Y 102BT	T	15.9/69.8
EP702	6910012350	S.BEA MMZ1608Y 102BT	T	15.9/71.0
EP703	6910012350	S.BEA MMZ1608Y 102BT	B	10.5/71.8
EP704	6910012350	S.BEA MMZ1608Y 102BT	T	8.6/69.5
EP705	6910012350	S.BEA MMZ1608Y 102BT	T	8.6/70.7
EP706	6910012350	S.BEA MMZ1608Y 102BT	T	8.6/71.9
EP711	6910012350	S.BEA MMZ1608Y 102BT	T	17.4/80.3
EP712	6910012350	S.BEA MMZ1608Y 102BT	T	17.4/81.5
EP713	6910012350	S.BEA MMZ1608Y 102BT	T	17.4/82.7
EP714	6910012350	S.BEA MMZ1608Y 102BT	T	17.4/83.9
EP715	6910012350	S.BEA MMZ1608Y 102BT	T	17.4/85.1
EP716	6910012350	S.BEA MMZ1608Y 102BT	T	17.4/86.3
EP717	6910012350	S.BEA MMZ1608Y 102BT	T	17.4/87.5
EP718	6910012350	S.BEA MMZ1608Y 102BT	T	17.4/88.7
EP721	6910012350	S.BEA MMZ1608Y 102BT	T	10.1/79.1
EP722	6910012350	S.BEA MMZ1608Y 102BT	T	10.1/80.3
EP723	6910012350	S.BEA MMZ1608Y 102BT	T	10.1/81.5
EP724	6910012350	S.BEA MMZ1608Y 102BT	T	10.1/82.7
EP725	6910012350	S.BEA MMZ1608Y 102BT	T	10.1/86.3
EP726	6910012350	S.BEA MMZ1608Y 102BT	T	10.1/87.5
EP727	6910012350	S.BEA MMZ1608Y 102BT	T	10.1/88.7
EP741	6910018930	S.BEA MPZ2012S601A	T	34.3/177.0
EP742	6910018930	S.BEA MPZ2012S601A	T	34.3/178.7
EP751	6910018270	S.BEA MMZ1608Y301CT	T	7.4/93.3
EP772	6910019900	S.BEA MPZ1608S601AT	T	9.4/67.5
EP791	6910012350	S.BEA MMZ1608Y 102BT	T	22.2/7.7

M.=Mounted side (T: Mounted on the Top side, B: Mounted on the Bottom side) S.=Surface mount

[CONTROL UNIT]

REF NO.	PARTS NO.	DESCRIPTION	M.	H/V LOCATION
W2	8600037390	SX3183 P1121CH		
DS1	5030003680	LCD CMF2P2117-E <SKD>		
SP1	2510001720	SPE 4050P0803 <FG>		
W1	8900013541	CAB OPC-1410A (P0.5N14L50) <TJM>		
EP1	0880003480	UNI EX-2832		
EP2	6910023900	E.O WT5036-E <SKD>		

[DISPLAY UNIT]

REF NO.	PARTS NO.	DESCRIPTION	M.	H/V LOCATION
IC201	1140016780	S.IC STM32F101VF(SX-3393E-3) <TOMEN>	B	92.5/26.0
IC202	1110005731	S.IC S-80928CNMC-G8Y-G	B	90.4/44.4
IC301	1190003500	S.IC TPS61160ADRV	T	45.3/43.5
IC501	1110002751	S.IC TA75S01F(TE85RF)	B	115.7/47.0
IC601	1190003620	S.IC TPS61161ADRV	T	13.3/52.3
IC701	6910022350	S.DC R1240N001A-TR-FE	T	33.5/41.9
IC901	1130005252	S.IC TC74HC08AF(ELF)	T	6.8/37.2
Q401	1550000240	S.FET TPCF8107(TE85LF)	B	125.6/39.2
Q402	1560001730	S.FET RUE002N02 TL	B	129.1/37.6
Q403	1550000240	S.FET TPCF8107(TE85LF)	T	79.4/46.8
Q404	1560001730	S.FET RUE002N02 TL	T	75.3/42.5
Q501	1520000910	S.TRA 2SB1132L-R-AB3-R <SLVJ>	B	103.6/67.6
Q502	1530004210	S.TRA DSC7004S0L	B	105.8/48.4
Q503	1590004690	S.TRA LDT143ZET1G <SLVJ>	B	115.3/49.8
Q504	1590004310	S.TRA LDTA114EET1G <SLVJ>	B	117.0/51.5
Q505	1510001200	S.TRA L2SA1576ART1G <SLVJ>	B	96.7/67.8
Q506	1590004310	S.TRA LDTA114EET1G <SLVJ>	B	107.0/43.5
Q507	1530004140	S.TRA L2SC4081RT1G <SLVJ>	B	109.8/44.7
Q508	1590004690	S.TRA LDT143ZET1G <SLVJ>	B	119.3/50.4
Q801	1590004690	S.TRA LDT143ZET1G <SLVJ>	T	138.9/46.5
Q901	1530004140	S.TRA L2SC4081RT1G <SLVJ>	B	7.9/13.9
Q902	1530004140	S.TRA L2SC4081RT1G <SLVJ>	B	7.9/17.3
Q903	1530004140	S.TRA L2SC4081RT1G <SLVJ>	B	9.0/7.1
Q904	1530004140	S.TRA L2SC4081RT1G <SLVJ>	B	9.0/10.5
Q905	1530004140	S.TRA L2SC4081RT1G <SLVJ>	B	14.0/7.1
Q906	1530004140	S.TRA L2SC4081RT1G <SLVJ>	B	14.0/10.5
Q907	1530004140	S.TRA L2SC4081RT1G <SLVJ>	B	14.0/13.9
Q908	1530004140	S.TRA L2SC4081RT1G <SLVJ>	B	14.0/17.3
D101	1750002230	S.DIO LRB751S-40T1G <SLVJ>	B	110.8/34.0
D102	1750001820	S.DIO LRB706F-40T1G <SLVJ>	B	128.8/21.2
D103	1750001820	S.DIO LRB706F-40T1G <SLVJ>	B	122.6/27.8
D104	1750001820	S.DIO LRB706F-40T1G <SLVJ>	B	119.7/27.8
D105	1750001820	S.DIO LRB706F-40T1G <SLVJ>	B	116.0/27.8
D301	1750002110	S.DIO LRB551V-30T1G <SLVJ>	T	43.2/45.5
D302	1750001820	S.DIO LRB706F-40T1G <SLVJ>	B	113.1/27.8
D303	1750001820	S.DIO LRB706F-40T1G <SLVJ>	B	110.2/27.8
D501	1750001810	S.DIO L1SS400T1G <SLVJ>	B	108.9/49.4
D502	1750001980	S.ZEN DZ2J056M0L	B	113.1/48.6
D601	1750001520	S.DIO CUS04(TE85LQ)	T	16.4/52.9
D701	1750002110	S.DIO LRB551V-30T1G <SLVJ>	T	33.6/45.5
D702	1750001820	S.DIO LRB706F-40T1G <SLVJ>	B	128.8/24.7
D703	1750001820	S.DIO LRB706F-40T1G <SLVJ>	B	127.6/27.9
D801	1750001810	S.DIO L1SS400T1G <SLVJ>	T	141.7/47.2
X201	6050013180	S.XTA CR-910(HC-49US/9.8304 MHz) <JJE>	T	93.0/39.0
L302	6200009060	S.COI LQH32CN101K23L	T	40.0/41.3
L303	6200014850	S.COI LQH44PN220MP0L	T	39.6/45.5
L601	6200009060	S.COI LQH32CN101K23L	T	12.2/56.7
L602	6200014850	S.COI LQH44PN220MP0L	T	16.1/56.4
L701	6200014280	S.COI BRC2012T4R7MD	T	29.0/46.4
L702	6200005011	S.COI NLV25T-100J	T	36.4/40.7
R101	7030005220	S.RES ERJ2GEJ 223 X (22K)	B	130.5/23.1
R102	7410000720	S.ARR EXB-V8V 473JV (47K)	T	145.9/28.4
R103	7030007340	S.RES ERJ2GEJ 153 X (15K)	B	122.6/29.8
R107	7410000800	S.ARR EXB-V8V 103JV (10K)	B	4.5/65.3
R108	7030007290	S.RES ERJ2GEJ 222 X (2.2K)	B	116.0/29.8
R110	7030005240	S.RES ERJ2GEJ 473 X (47K)	B	119.7/29.8
R111	7030005240	S.RES ERJ2GEJ 473 X (47K)	B	116.9/29.8
R113	7030005090	S.RES ERJ2GEJ 104 X (100K)	B	129.2/22.9
R114	7030007340	S.RES ERJ2GEJ 153 X (15K)	B	123.1/26.1
R117	7030005240	S.RES ERJ2GEJ 473 X (47K)	B	130.0/26.5
R118	7030005240	S.RES ERJ2GEJ 473 X (47K)	B	128.1/30.3
R119	7030005120	S.RES ERJ2GEJ 102 X (1K)	T	18.8/27.0
R120	7030005120	S.RES ERJ2GEJ 102 X (1K)	T	18.8/27.9
R201	7030005530	S.RES ERJ2GEJ 100 X (10)	B	97.0/36.0
R203	7030005050	S.RES ERJ2GEJ 103 X (10K)	B	91.2/42.1
R301	7030005300	S.RES ERJ2GEJ 150 X (15)	T	46.5/41.5
R306	7030005240	S.RES ERJ2GEJ 473 X (47K)	B	110.2/29.8
R310	7030005240	S.RES ERJ2GEJ 473 X (47K)	B	113.1/29.8
R313	7030005120	S.RES ERJ2GEJ 102 X (1K)	B	114.0/29.8
R314	7030005240	S.RES ERJ2GEJ 473 X (47K)	B	58.7/52.7
R315	7030005120	S.RES ERJ2GEJ 102 X (1K)	B	111.1/29.8
R318	7030005240	S.RES ERJ2GEJ 473 X (47K)	T	65.6/30.5
R401	7030003440	S.RES ERJ3GEYJ 102 V (1K)	B	127.4/57.0
R403	7030007520	S.RES ERJ8ENF 1000V (100)	B	129.0/46.6
R404	7030007520	S.RES ERJ8ENF 1000V (100)	B	127.5/50.0
R405	7030005120	S.RES ERJ2GEJ 102 X (1K)	T	79.7/56.5
R408	7030005120	S.RES ERJ2GEJ 102 X (1K)	T	128.8/55.2
R409	7030005110	S.RES ERJ2GEJ 224 X (220K)	B	128.7/39.3
R410	7030005110	S.RES ERJ2GEJ 224 X (220K)	T	75.8/44.1
R412	7030005110	S.RES ERJ2GEJ 224 X (220K)	B	125.6/35.1
R413	7030005110	S.RES ERJ2GEJ 224 X (220K)	T	79.4/43.4
R414	7030005050	S.RES ERJ2GEJ 103 X (10K)	T	74.8/40.5
R415	7030005050	S.RES ERJ2GEJ 103 X (10K)	B	130.1/33.7
R416	7030005000	S.RES ERJ2GEJ 471 X (470)	B	123.1/38.2
R417	7030005000	S.RES ERJ2GEJ 471 X (470)	T	81.6/45.0
R503	7030003520	S.RES ERJ3GEYJ 472 V (4.7K)	B	99.4/65.3
R504	7030005050	S.RES ERJ2GEJ 103 X (10K)	T	110.9/56.5
R507	7030007270	S.RES ERJ2GEJ 151 X (150)	B	106.5/45.0
R508	7030004040	S.RES ERJ3GEYJ 4R7 V (4.7)	B	94.0/68.7
R509	7030005040	S.RES ERJ2GEJ 472 X (4.7K)	B	110.1/49.0
R510	7030005060	S.RES ERJ2GEJ 333 X (33K)	B	109.6/47.7
R511	7030007340	S.RES ERJ2GEJ 153 X (15K)	B	109.6/46.7
R512	7030004980	S.RES ERJ2GEJ 101 X (100)	B	117.3/44.2

Eqv.= This component is equivalent to the REF No. component listed above, and may be substituted on parts orders and repairs.

M.=Mounted side (T: Mounted on the Top side, B: Mounted on the Bottom side) S.=Surface mount

[DISPLAY UNIT]

REF NO.	PARTS NO.	DESCRIPTION	M.	H/V LOCATION
R513	7030005050	S.RES ERJ2GEJ 103 X (10K)	B	104.9/44.1
R514	7030005120	S.RES ERJ2GEJ 102 X (1K)	T	137.4/47.0
R515	7030005120	S.RES ERJ2GEJ 102 X (1K)	B	115.1/51.5
R516	7030005230	S.RES ERJ2GEJ 334 X (330K)	B	115.3/44.6
R517	7030005310	S.RES ERJ2GEJ 124 X (120K)	B	113.0/44.2
R518	7030008010	S.RES ERJ2GEJ 123 X (12K)	B	112.5/46.1
R519	7030005050	S.RES ERJ2GEJ 103 X (10K)	B	113.5/50.9
R520	7030003520	S.RES ERJ3GEVJ 472 V (4.7K)	B	92.2/68.7
R521	7030003680	S.RES ERJ3GEVJ 104 V (100K)	B	108.8/68.7
R605	7030010430	S.RES ERJ2GEJ 120 X (12)	T	11.6/50.4
R609	7030005290	S.RES ERJ2GEJ 682 X (6.8K)	B	16.9/20.4
R610	7030005290	S.RES ERJ2GEJ 682 X (6.8K)	B	54.6/13.2
R611	7030005290	S.RES ERJ2GEJ 682 X (6.8K)	B	89.0/12.6
R612	7030005290	S.RES ERJ2GEJ 682 X (6.8K)	B	102.1/14.2
R613	7030007290	S.RES ERJ2GEJ 222 X (2.2K)	B	16.9/14.9
R614	7030007290	S.RES ERJ2GEJ 222 X (2.2K)	B	54.6/11.5
R615	7030005040	S.RES ERJ2GEJ 472 X (4.7K)	B	16.9/12.8
R616	7030007290	S.RES ERJ2GEJ 222 X (2.2K)	B	87.4/9.8
R617	7030005040	S.RES ERJ2GEJ 472 X (4.7K)	B	54.1/10.3
R618	7030007290	S.RES ERJ2GEJ 222 X (2.2K)	B	102.1/10.0
R619	7030007340	S.RES ERJ2GEJ 153 X (15K)	B	16.4/4.0
R620	7030005040	S.RES ERJ2GEJ 472 X (4.7K)	B	102.6/8.6
R621	7030005040	S.RES ERJ2GEJ 472 X (4.7K)	B	86.1/9.3
R622	7030007340	S.RES ERJ2GEJ 153 X (15K)	B	54.6/8.8
R701	7030004970	S.RES ERJ2GEJ 470 X (4.7K)	T	32.8/44.1
R702	7030005040	S.RES ERJ2GEJ 472 X (4.7K)	T	30.9/40.8
R703	7030005030	S.RES ERJ2GEJ 152 X (1.5K)	T	31.5/39.6
R801	7030006070	S.RES ERJ12YJ101U (100)	T	114.2/45.0
R803	7030005530	S.RES ERJ2GEJ 100 X (10)	T	129.8/49.7
R901	7030005530	S.RES ERJ2GEJ 100 X (10)	B	3.9/53.1
R902	7410000720	S.ARR EXB-V8V 473JV (47K)	B	3.3/50.7
R905	7030007340	S.RES ERJ2GEJ 153 X (15K)	B	120.6/29.8
R909	7030003440	S.RES ERJ3GEVJ 102 V (1K)	B	123.7/60.6
R910	7030003440	S.RES ERJ3GEVJ 102 V (1K)	B	121.0/56.5
R1001	7410000720	S.ARR EXB-V8V 473JV (47K)	T	66.2/52.1
R1002	7410000720	S.ARR EXB-V8V 473JV (47K)	T	68.1/55.7
R1003	7410000590	S.ARR EXB-V4V 473JV (47K)	T	68.9/58.6
R1004	7030005530	S.RES ERJ2GEJ 100 X (10)	T	68.3/61.1
R1005	7030004980	S.RES ERJ2GEJ 101 X (100)	B	7.0/6.8
R1006	7030008280	S.RES ERJ2GEJ 271 X (270)	B	7.0/8.5
R1007	7030004980	S.RES ERJ2GEJ 101 X (100)	B	7.0/10.2
R1008	7030005050	S.RES ERJ2GEJ 103 X (10K)	B	7.0/11.9
R1009	7030004980	S.RES ERJ2GEJ 101 X (100)	B	12.0/6.8
R1010	7030009270	S.RES ERJ2GEJ 821 X (820)	B	12.0/8.5
R1011	7030004980	S.RES ERJ2GEJ 101 X (100)	B	12.0/10.2
R1012	7030005220	S.RES ERJ2GEJ 223 X (22K)	B	12.0/11.9
R1013	7030004980	S.RES ERJ2GEJ 101 X (100)	B	12.0/13.6
R1014	7030008280	S.RES ERJ2GEJ 271 X (270)	B	12.0/15.3
R1015	7030004980	S.RES ERJ2GEJ 101 X (100)	B	12.0/17.0
R1016	7030005040	S.RES ERJ2GEJ 472 X (4.7K)	B	12.0/18.7
R1017	7030004980	S.RES ERJ2GEJ 101 X (100)	B	5.8/13.6
R1018	7030005000	S.RES ERJ2GEJ 471 X (470)	B	5.8/15.3
R1019	7030004980	S.RES ERJ2GEJ 101 X (100)	B	5.8/17.0
R1020	7030005050	S.RES ERJ2GEJ 103 X (10K)	B	5.8/18.7
C101	4030016930	S.CER C1005 JB 1A 104K-T	T	1.3/58.0
C102	4030016790	S.CER C1005 JB 1E 103K-T	T	8.5/62.7
C103	4030016790	S.CER C1005 JB 1E 103K-T	T	1.3/64.4
C104	4030016790	S.CER C1005 JB 1E 103K-T	T	1.3/62.8
C105	4030019620	S.CER GRM188B11A105KA61D	B	128.9/19.3
C106	4030016790	S.CER C1005 JB 1E 103K-T	B	116.4/26.0
C107	4030016790	S.CER C1005 JB 1E 103K-T	T	8.5/61.7
C108	4030016790	S.CER C1005 JB 1E 103K-T	T	1.3/61.2
C109	4030016790	S.CER C1005 JB 1E 103K-T	T	8.5/60.7
C110	4030016790	S.CER C1005 JB 1E 103K-T	T	1.3/59.6
C111	4030016790	S.CER C1005 JB 1E 103K-T	T	8.5/59.7
C112	4030016790	S.CER C1005 JB 1E 103K-T	T	90.6/28.7
C113	4030016930	S.CER C1005 JB 1A 104K-T	T	97.2/22.1
C114	4030016930	S.CER C1005 JB 1A 104K-T	T	96.5/23.8
C201	4030019560	S.CER GRM21BB31C106KE15L	B	97.0/38.5
C202	4030017650	S.CER C1005 CH 1H 270J-T	B	89.7/36.7
C203	4030017650	S.CER C1005 CH 1H 270J-T	B	92.3/38.1
C204	4030016790	S.CER C1005 JB 1E 103K-T	B	96.1/36.0
C207	4030016790	S.CER C1005 JB 1E 103K-T	B	97.9/36.0
C208	4030016930	S.CER C1005 JB 1A 104K-T	B	91.1/35.5
C210	4030019560	S.CER GRM21BB31C106KE15L	B	99.5/36.8
C211	4030016790	S.CER C1005 JB 1E 103K-T	B	89.6/42.1
C212	4030019560	S.CER GRM21BB31C106KE15L	B	80.6/32.7
C215	4030016930	S.CER C1005 JB 1A 104K-T	B	83.1/32.1
C216	4030016930	S.CER C1005 JB 1A 104K-T	B	102.1/31.5
C217	4030017030	S.CER C1005 JB 1A 273K-T	B	92.7/45.1
C219	4030016930	S.CER C1005 JB 1A 104K-T	B	102.7/19.2
C224	4030016930	S.CER C1005 JB 1A 104K-T	B	86.9/16.7
C301	4030011810	S.CER C1608 JB 1H 103K-T	T	47.4/44.0
C302	4030019180	S.CER TMK212BJ105KG-T	T	46.3/46.1
C303	4030020270	S.CER GRM188B11A105KA61D	T	44.3/41.6
C308	4030016930	S.CER C1005 JB 1A 104K-T	B	51.0/53.0
C310	4030016930	S.CER C1005 JB 1A 104K-T	B	57.8/52.7
C401	4030006900	S.CER C1608 JB 1H 103K-T	B	127.4/58.9
C402	4030006900	S.CER C1608 JB 1H 103K-T	B	117.1/57.1
C403	4030006900	S.CER C1608 JB 1H 103K-T	B	123.1/63.2
C404	4030006900	S.CER C1608 JB 1H 103K-T	B	129.7/61.9
C405	4030016790	S.CER C1005 JB 1E 103K-T	T	72.8/57.8
C406	4510010300	S.ELE 16 CE 470 AX	T	75.0/52.8
C407	4030016790	S.CER C1005 JB 1E 103K-T	T	144.7/66.9
C408	4510010300	S.ELE 16 CE 470 AX	T	116.5/52.1
C409	4030020270	S.CER GRM188B11A105KA61D	B	125.6/36.5
C410	4030020270	S.CER GRM188B11A105KA61D	T	79.4/44.4
C411	4030019990	S.CER C1005 JB 1C 104K-T	B	129.5/35.3
C412	4030019990	S.CER C1005 JB 1C 104K-T	T	76.0/40.9
C413	4510010300	S.ELE 16 CE 470 AX	T	106.9/50.5
C414	4510010300	S.ELE 16 CE 470 AX	T	86.1/49.9
C501	4030006900	S.CER C1608 JB 1H 103K-T	B	109.9/66.2
C506	4030006900	S.CER C1608 JB 1H 103K-T	B	112.8/60.2

Eqv.= This component is equivalent to the REF No. component listed above, and may be substituted on parts orders and repairs.

[DISPLAY UNIT]

REF NO.	PARTS NO.	DESCRIPTION	M.	H/V LOCATION
C507	4030016790	S.CER C1005 JB 1E 103K-T	B	104.9/45.0
C513	4030016790	S.CER C1005 JB 1E 103K-T	B	113.4/46.1
C514	4030016930	S.CER C1005 JB 1A 104K-T	B	118.0/46.4
C515	4030006870	S.CER C1608 JB 1H 102K-T	B	99.2/68.7
C601	4030020270	S.CER GRM188B11A105KA61D	T	11.4/52.8
C602	4030016990	S.CER GRM32RR11H105KA01D (GRM42-2 R)	T	16.0/49.4
C603	4030011810	S.CER C1608 JB 1A 224K-T	T	13.0/49.5
C702	4030019560	S.CER GRM21BB31C106KE15L	T	30.0/43.6
C703	4030019560	S.CER GRM21BB31C106KE15L	T	33.6/39.3
C705	4030016930	S.CER C1005 JB 1A 104K-T	T	34.4/44.1
C706	4030017730	S.CER C1005 JB 1H 471K-T	T	30.9/41.7
C710	4030016790	S.CER C1005 JB 1E 103K-T	T	89.2/54.8
C711	4030006900	S.CER C1608 JB 1H 103K-T	B	83.3/57.1
C712	4030007130	S.CER C1608 CH 1H 101J-T	B	86.4/57.2
C713	4030007130	S.CER C1608 CH 1H 101J-T	B	88.8/57.2
C714	4030016790	S.CER C1005 JB 1E 103K-T	T	82.8/56.2
C715	4030019560	S.CER GRM21BB31C106KE15L	T	73.0/46.5
C716	4510010300	S.ELE 16 CE 470 AX	T	66.2/45.1
C801	4030016790	S.CER C1005 JB 1E 103K-T	T	141.4/46.0
C901	4030016930	S.CER C1005 JB 1A 104K-T	B	3.9/54.1
C902	4030016930	S.CER C1005 JB 1A 104K-T	T	12.8/36.1
C1001	4030016790	S.CER C1005 JB 1E 103K-T	T	68.3/60.2
RL801	6310000070	S.REL G6K-2F-Y-TR DC3V	T	137.9/53.7
J101	6510022022	S.CON 14FLT-SM2-TB(LF)(SN)(M)	T	4.5/62.5
J301	6510029840	S.CON IMSA-9690S-27Y902	B	54.3/49.0
J401	6510014961	S.CON B2B-ZR-SM4-TF(LF)(SN)	T	72.3/64.8
J402	6510025771	S.CON 03-935H1-72BKA	T	130.6/66.1
J403	6510025771	S.CON 03-935H1-72BKA	T	119.6/66.1
J405	6510025760	S.CON B5B-ZR-SM4-TF(LF)(SN)	T	140.1/64.5
J501	6510023110	CON 3008L-8P8C <KIN>	T	
J701	6510029830	CON 3008S-8824 (50U) <KIN>	T	
J901	6510027710	S.CON S5B-ZR-SM4A-TF(LF)(SN)	T	4.5/51.1
DS301	5040003310	S.LED L-C191KYCT <KOU>	T	13.2/31.0
DS302	5040003350	S.LED HT-191 UYG-K828 <KOU>	T	6.2/31.0
DS601	5040003640	S.LED HT-193TW5 <KOU>	T	12.3/8.9
DS602	5040003640	S.LED HT-193TW5 <KOU>	T	50.5/8.9
DS603	5040003640	S.LED HT-193TW5 <KOU>	T	82.5/8.9
DS604	5040003640	S.LED HT-193TW5 <KOU>	T	121.7/8.9
DS605	5040003640	S.LED HT-193TW5 <KOU>	T	34.5/8.9
DS606	5040003640	S.LED HT-193TW5 <KOU>	T	66.5/8.9
DS607	5040003640	S.LED HT-193TW5 <KOU>	T	98.5/8.9
DS608	5040003640	S.LED HT-193TW5 <KOU>	T	139.7/8.9
S401	2220000780	SWI MCS121D-1001	T	
S601	2260002740	S.SWI LS8J2M-T	T	34.5/13.1
S602	2260002740	S.SWI LS8J2M-T	T	139.7/13.1
S603	2260002740	S.SWI LS8J2M-T	T	12.3/13.1
S604	2260002740	S.SWI LS8J2M-T	T	50.5/13.1
S605	2260002740	S.SWI LS8J2M-T	T	66.5/13.1
S606	2260002740	S.SWI LS8J2M-T	T	98.5/13.1
S607	2260002740	S.SWI LS8J2M-T	T	121.7/4.6
S608	2260002740	S.SWI LS8J2M-T	T	12.3/4.6
S609	2260002740	S.SWI LS8J2M-T	T	50.5/4.6
S610	2260002740	S.SWI LS8J2M-T	T	82.5/13.1
S611	2260002740	S.SWI LS8J2M-T	T	98.5/4.6
S612	2260002740	S.SWI LS8J2M-T	T	139.7/4.6
S613	2260002740	S.SWI LS8J2M-T	T	34.5/4.6
S614	2260002740	S.SWI LS8J2M-T	T	66.5/4.6
S615	2260002740	S.SWI LS8J2M-T	T	82.5/4.6
S616	2260002740	S.SWI LS8J2M-T	T	121.7/13.1
EP201	6910019900	S.BEA MPZ1608S601AT	B	82.1/34.4
EP301	6910019900	S.BEA MPZ1608S601AT	T	52.1/50.2
EP302	6910019900	S.BEA MPZ1608S601AT	T	50.9/50.2
EP401	6910018930	S.BEA MPZ2012S601A	T	126.2/66.5
EP402	6910018930	S.BEA MPZ2012S601A	B	126.1/61.8
EP403	6910018930	S.BEA MPZ2012S601A	B	129.4/68.0
EP404	6910017350	S.BEA MMZ1608S601A-T	B	120.4/68.3
EP405	6910017350	S.BEA MMZ1608S601A-T	B	120.5/63.9
EP406	6910017350	S.BEA MMZ1608S601A-T	B	115.3/57.1
EP501	6910017350	S.BEA MMZ1608S601A-T	B	110.9/60.2
EP502	6910018930	S.BEA MPZ2012S601A	B	98.8/59.6
EP503	6910019900	S.BEA MPZ1608S601AT	B	105.4/57.2
EP504	6910016330	S.BEA MMZ1005S 601CT-S	T	104.6/57.4
EP505	6910016330	S.BEA MMZ1005S 601CT-S	T	107.9/57.4
EP506	6910016330	S.BEA MMZ1005S 601CT-S	T	109.7/57.4
EP507	6910019900	S.BEA MPZ1608S601AT	B	108.1/66.2
EP701	6910019900	S.BEA MPZ1608S601AT	T	29.6/40.8
EP702	69100189			

[VR UNIT]

REF NO.	PARTS NO.	DESCRIPTION	M.	H/V LOCATION
R1	7210003600	VAR TP96D00APY-17F-10KBX2-2427		
J1	6510022022	S.CON 14FLT-SM2-TB(LF)(SN)(M)	T	27.4/16.1
DS1	5040003320	S.LED HT-210USD/UYG <KOU>	T	23.5/5.3
S1	2250000820	ENC TP90D96AE20PY-17F-1352		

Eqv.= This component is equivalent to the REF No. component listed above, and may be substituted on parts orders and repairs.

M.=Mounted side (T: Mounted on the Top side, B: Mounted on the Bottom side)
S.=Surface mount

SECTION 6

MECHANICAL PARTS

[CHASSIS UNIT]

REF NO.	ORDER NO.	DESCRIPTION	QTY.
J1	6510028410	MR-DS-01-1 <GA>	1
J2	6510028410	MR-DS-01-1 <GA>	1
MF1	2710000790	AFB0512HB-4L50 <USE>HK	1
W1**	8910000140	FFC-1015 (P0.5N30L80)	1
W2**	8910000140	FFC-1015 (P0.5N30L80)	1
W3**	8900016990	OPC-1741 (1.5DCOAXIAL110MM)	1
W5**	8900019320	OPC-2034	1
W6**	8600037380	SX3183 J1101*P1102CH	1
MP1	8010022550	3393 CHASSIS	1
MP2	8110010360	3393 U-COVER Y2168	1
MP3	8110010370	3393 L-COVER Y2167	1
MP4	8210028270	3393 CHASSIS PANEL	1
MP5	8930086820	3393 FAN HOLDER <KN>	1
MP6	8310081740	3393 NAME PLATE	1
MP11	8930087840	3393 ANT PLATE Y1291	2
MP12	8930066431	2427 A-NET-1	1
MP13	8930079690	RUBBER STAND (Q)	4
MP14	8810008661	PHBT M3 X 8 NI-ZC3	11
MP15	8810008661	PHBT M3 X 8 NI-ZC3	12
MP16	8810008661	PHBT M3 X 8 NI-ZC3	4
MP17	8810009061	FLAT M3 X 6 ZK3	9
MP18	8810009061	FLAT M3 X 6 ZK3	9
MP19	8820000530	FLANGE BOLT M4 X 8 NI	1
MP20	8850000140	FLAT WASHER M 4 NI BS	1
MP22	8810008661	PHBT M3 X 8 NI-ZC3	2
MP23	8810010780	PH BT M3 X20 NI-ZK3	4
MP24	8810003171	SET SCREWA M3 X 8 ZC3	1
MP25*	8810003171	SET SCREWA M3 X 8 ZC3	4
MP26	8810003381	SET SCREWC M3 X10 ZC3	2
MP27*	8810003361	SET SCREWC M3 X 6 ZC3	2
MP28	8930068370	2427 A-MAGNETIC SHIELD	1
MP30*	8930078840	SHIELD SPONGE (CM)	1
MP31*	8930082340	SHIELD SPONGE (CR)	1
MP32*	8930082340	SHIELD SPONGE (CR)	1
MP33*	8930082340	SHIELD SPONGE (CR)	1
MP34*	8930082340	SHIELD SPONGE (CR)	1
MP35	6910008240	59TN4772 (SPCC)	1
MP36*	8930082340	SHIELD SPONGE (CR)	1
MP37*	8930088280	FERRITE SHEET (AL)	1
MP38	8930088330	FERRITE SHEET (AM)	1
MP39*	8930088000	SPONGE (MH)	1
MP40	8930063000	THERMAL SHEET (AQ) TC-700HS-1.4	1
MP41	8930064840	SHIELD SPONGE (AO)	1 [USA]
	8930064840	SHIELD SPONGE (AO)	1 [EUR]
	8930064840	SHIELD SPONGE (AO)	1 [EUR-01]
	8930064840	SHIELD SPONGE (AO)	1 [ITR]
	8930064840	SHIELD SPONGE (AO)	1 [ESP]
	8930064840	SHIELD SPONGE (AO)	1 [FRA]
MP42	8930064840	SHIELD SPONGE (AO)	1 [USA]
	8930064840	SHIELD SPONGE (AO)	1 [EUR]
	8930064840	SHIELD SPONGE (AO)	1 [EUR-01]
	8930064840	SHIELD SPONGE (AO)	1 [ITR]
	8930064840	SHIELD SPONGE (AO)	1 [ESP]
	8930064840	SHIELD SPONGE (AO)	1 [FRA]
MP43	8930048971	SHIELD TAPE (C)-1	1 [USA]
	8930074740	SHIELD SPONGE (CE)	1 [EUR]
	8930074740	SHIELD SPONGE (CE)	1 [EUR-01]
	8930074740	SHIELD SPONGE (CE)	1 [ITR]
	8930074740	SHIELD SPONGE (CE)	1 [ESP]
	8930074740	SHIELD SPONGE (CE)	1 [FRA]
MP44*	8930068000	SHIELD SPONGE (AT)	1 [USA]
	8930068000	SHIELD SPONGE (AT)	1 [EUR]
	8930068000	SHIELD SPONGE (AT)	1 [EUR-01]
	8930068000	SHIELD SPONGE (AT)	1 [ITR]
	8930068000	SHIELD SPONGE (AT)	1 [ESP]
	8930068000	SHIELD SPONGE (AT)	1 [FRA]
MP45	8930057790	SHIELD SPONGE (K)	1 [EUR]
	8930057790	SHIELD SPONGE (K)	1 [EUR-01]
	8930057790	SHIELD SPONGE (K)	1 [ITR]
	8930057790	SHIELD SPONGE (K)	1 [ESP]
	8930057790	SHIELD SPONGE (K)	1 [FRA]
MP46	8930057790	SHIELD SPONGE (K)	1 [EUR]
	8930057790	SHIELD SPONGE (K)	1 [EUR-01]
	8930057790	SHIELD SPONGE (K)	1 [ITR]
	8930057790	SHIELD SPONGE (K)	1 [ESP]
	8930057790	SHIELD SPONGE (K)	1 [FRA]
MP47*	8930082340	SHIELD SPONGE (CR)	Only [USA]
MP48*	8930068000	SHIELD SPONGE (AT)	Only [USA]
MP49*	8930057870	2429 EARTH SPRING	Only [USA]
MP50**	8930018700	THERMAL SHEET Z	Only [USA]
MP51**	8930018700	THERMAL SHEET Z	Only [USA]

[MAIN PARTS]

REF NO.	ORDER NO.	DESCRIPTION	QTY.
J1*	6510023720	LGY6501-0600C	1
J11*	6510027740	HSJ2462-010010	1
J31*	6450001641	TCS5044-0141177	1
J111*	6450001841	TCS7568-4320177	1
J151*	6510029830	3008S-8824 (50U) <KIN>	1
J171*	6510023110	3008L-8P8C <KIN>	1
J191*	6510023720	LGY6501-0600C	1
J261*	6510028980	SCDABA0500	1
J301*	6510024880	52689-3087	1
J401*	6510024880	52689-3087	1
J501*	6510028200	UB-M5BR-S14-4S (LF) (SN)	1
J571*	6510023720	LGY6501-0600C	1
J3001*	6510018450	TMP-S01X-B1	1
J5002*	6510025840	AXN316C038P	1
J5501*	6510027111	08FLT-SM2-TB (LF) (SN) (M)	1
J6501*	6510024522	12FLT-SM2-TB (LF) (SN) (M)	1
J6502*	6510025142	10FLT-SM2-TB (LF) (SN) (M)	1
BT6201*	3020000390	ML414HIV01E	1
EP2004*	6910002161	CASE-BM7H-LF	1
EP2206*	6910002161	CASE-BM7H-LF	1
EP2211*	6910002161	CASE-BM7H-LF	1
EP2404*	6910002161	CASE-BM7H-LF	1
EP2756*	6910002161	CASE-BM7H-LF	1
MP221*	8510020800	3393 C-SHIELD PLATE Y1292	1
MP401*	8930071160	2427 F-EARTH SPRING Y896	1
MP501*	8930071160	2427 F-EARTH SPRING Y896	1 [EUR]
	8930071160	2427 F-EARTH SPRING Y896	1 [EUR-01]
	8930071160	2427 F-EARTH SPRING Y896	1 [ITR]
	8930071160	2427 F-EARTH SPRING Y896	1 [ESP]
	8930071160	2427 F-EARTH SPRING Y896	1 [FRA]
MP1001*	8510020100	3182 DC-DC CASE Y1220	1
MP2101*	8510020790	3393 B-SHIELD PLATE <KN>	1
MP2102*	8510020800	3393 C-SHIELD PLATE Y1292	1
MP2201*	8510020800	3393 C-SHIELD PLATE Y1292	1
MP2202*	8510020790	3393 B-SHIELD PLATE <KN>	1
MP2301*	8510020830	3393 D-SHIELD PLATE Y1295	1
MP2501*	8510020780	3393 A-SHIELD PLATE <KN>	1
MP3031*	8510020800	3393 C-SHIELD PLATE Y1292	1
MP3231*	8510020770	3393 A-SHIELD CASE <KN>	1
MP3232*	8510020840	3393 E-SHIELD PLATE Y1296	1
MP4001*	8510020800	3393 C-SHIELD PLATE Y1292	1
MP4002*	8930071160	2427 F-EARTH SPRING Y896	1
MP4302*	8510012400	2177 D/A CASE Y454	1
MP5051*	8510020800	3393 C-SHIELD PLATE Y1292	1

*: Refer to "BOARD LAYOUTS" for the location.

** : Refer to "GENERAL WIRING" for the connection

Screw abbreviations A, B0, BT: Self-tapping PH: Pan head ZK: Black NI-ZU: Nickel-Zinc SUS: Stainless

[PA UNIT]

REF NO.	ORDER NO.	DESCRIPTION	QTY.
J101	6510028210	SJ050010 (TMP-J01X-V6)	1
J701*	6510021722	30FLT-SM2-TB (LF) (SN) (M)	1
J711*	6510021722	30FLT-SM2-TB (LF) (SN) (M)	1
J741*	6510018971	B4B-PH-SM4-TB (LF) (SN)	1
J791*	6510019371	B3B-ZR-SM4-TF (LF) (SN)	1
F1*	5220000341	FHA010-03F	1
F2*	5210000940	1205	1
EP3*	6910020710	OT-047 M3	1
EP4*	6910020710	OT-047 M3	1
MP301*	8930075440	3015 RUG SPRING Y1115	1
MP302*	8930075440	3015 RUG SPRING Y1115	1
MP381*	8930004071	EARTH SPRING (C)-1 (SX-166)	1
MP502*	8930062580	SHIELD TAPE (Q)	1
MP503*	8930088820	3393 EARTH SPRING Y1308	[EUR] 1
	8930088820	3393 EARTH SPRING Y1308	[EUR-01] 1
	8930088820	3393 EARTH SPRING Y1308	[ITR] 1
	8930088820	3393 EARTH SPRING Y1308	[ESP] 1
	8930088820	3393 EARTH SPRING Y1308	[FRA] 1
MP504*	8930063270	2590 EARTH SPRING Y733	[EUR] 1
	8930063270	2590 EARTH SPRING Y733	[EUR-01] 1
	8930063270	2590 EARTH SPRING Y733	[ITR] 1
	8930063270	2590 EARTH SPRING Y733	[ESP] 1
	8930063270	2590 EARTH SPRING Y733	[FRA] 1
MP601*	8930075430	3015 ANT SPRING Y1091	1
MP602*	8930062740	2590 M-SPRING	1
MP711*	8930071160	2427 F-EARTH SPRING Y896	1
MP712*	8930071160	2427 F-EARTH SPRING Y896	1
MP871*	8930071160	2427 F-EARTH SPRING Y896	1
MP872*	8930071160	2427 F-EARTH SPRING Y896	1
MP901*	8930075430	3015 ANT SPRING Y1091	1

[CONTROL UNIT]

REF NO.	ORDER NO.	DESCRIPTION	QTY.
DS1	5030003680	CMF2P2117-E <SKD>	1
SP1	2510001720	4050P0803	1
W1**	8900013541	OPC-1410A (P0.5N14L50)	1
W2	8600037390	SX3183 P1121CH	1
EP1	0880003480	EX-2832	1
EP2	6910023900	WT5036-E <SKD>	1
MP1	8210028251	3393 FRONT PANEL-1 ASSEMBLY	[USA] 1
	8210028741	3393 FRONT PANEL (A)-1 ASSEMBLY	[EUR] 1
	8210028741	3393 FRONT PANEL (A)-1 ASSEMBLY	[EUR-01] 1
	8210028741	3393 FRONT PANEL (A)-1 ASSEMBLY	[ITR] 1
	8210028741	3393 FRONT PANEL (A)-1 ASSEMBLY	[ESP] 1
	8210028251	3393 FRONT PANEL-1 ASSEMBLY	[TPE] 1
	8210028251	3393 FRONT PANEL-1 ASSEMBLY	[KOR] 1
	8210028251	3393 FRONT PANEL-1 ASSEMBLY	[CHN] 1
	8210028741	3393 FRONT PANEL (A)-1 ASSEMBLY	[FRA] 1
	8210028251	3393 FRONT PANEL-1 ASSEMBLY	[EXP] 1
MP2	8210028260	3393 REAR PANEL ASSEMBLY	1
MP3	8930086230	3393 STAND	2
MP6	8610014530	KNOB N-406	1
MP7	8610014540	KNOB N-406 COVER (TOT)	1
MP8	8610014550	KNOB N-407	1
MP9	8610014560	KNOB N-408	1
MP10	8610014570	KNOB N-409	1
MP11	8610014580	KNOB N-410	1
MP12	8930086270	3393 KEY <YAM>	1
MP13	8930086871	3393 RUBBER-1 TOP	1
MP15	8930086260	3393 BRAKE BUTTON	1
MP16	8010022570	3393 SUB CHASSIS Y2166	1
MP17	8930086310	3393 SPRING	2
MP19	8930086300	3393 SP HOLDER	1
MP20	8930086960	3393 LCD SPONGE	1
MP21	8930087880	3393 LCD PLATE Y1293	1
MP22	8930086360	LEG CUSHION (L)	1
MP24	8850003230	PLAIN WASHER (AT)	1
MP25	8930086981	3393 SHEET-1	2
MP26	8850002610	PLAIN WASHER (AI)	1
MP29	8830002441	2427 NUT-1 ROHS	1
MP30	8930036740	1691 BRAKE PAD	2
MP31	8810003560	M4 X 6 SUS	1
MP32	8810009991	PHBT M3 X 8 NI-ZK3	6
MP33	8810009181	BT M2 X 5 NI-ZC3	4
MP34	8810009561	PHBT M2 X 6 NI-ZK3	5
MP35	8810000101	PH M2 X 4 ZK3	5
MP36	8810004431	PH M3 X 6 ZK3	1
MP37	8930086990	3393 MODULAR SPONGE	1
MP41	8930088310	SPONGE (MM)	2
MP42	8930088440	HIMELON SHEET (DC)	1
MP43	8930088350	HIMELON SHEET (DB)	1
MP44	8930088600	HIMELON SHEET (DE)	2
MP45	8930088610	HIMELON SHEET (DF)	2
MP46	8930088620	HIMELON SHEET (DG)	1
MP47	8930088640	HIMELON SHEET (DI)	1
MP48	8930088630	HIMELON SHEET (DH)	1
MP49	8930088650	SPONGE (MQ)	1

*: Refer to "BOARD LAYOUTS" for the location.

** : Refer to "GENERAL WIRING" for the connection

Screw abbreviations A, B0, BT: Self-tapping PH: Pan head ZK: Black NI-ZU: Nickel-Zinc SUS: Stainless

[DISPLAY UNIT]

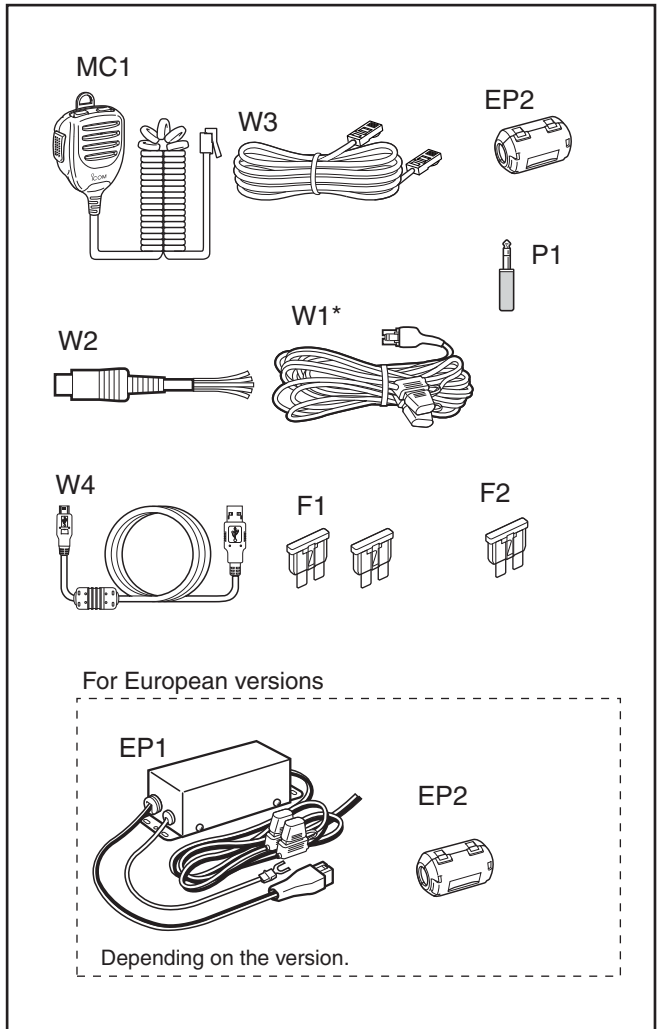
REF NO.	ORDER NO.	DESCRIPTION	QTY.
J101*	6510022022	14FLT-SM2-TB (LF) (SN) (M)	1
J301*	6510029840	I1MSA-9690S-27Y902	1
J401*	6510014961	B2B-ZR-SM4-TF (LF) (SN)	1
J402*	6510025771	03-935H1-72BKA	1
J403*	6510025771	03-935H1-72BKA	1
J405*	6510025760	B5B-ZR-SM4-TF (LF) (SN)	1
J501	6510023110	3008L-8P8C <KIN>	1
J701	6510029830	3008S-8824 (50U) <KIN>	1
J901*	6510027710	S5B-ZR-SM4A-TF (LF) (SN)	1
S401*	2220000780	MCS121D-1001	1
S601*	2260002740	LS8J2M-T	1
S602*	2260002740	LS8J2M-T	1
S603*	2260002740	LS8J2M-T	1
S604*	2260002740	LS8J2M-T	1
S605*	2260002740	LS8J2M-T	1
S606*	2260002740	LS8J2M-T	1
S607*	2260002740	LS8J2M-T	1
S608*	2260002740	LS8J2M-T	1
S609*	2260002740	LS8J2M-T	1
S610*	2260002740	LS8J2M-T	1
S611*	2260002740	LS8J2M-T	1
S612*	2260002740	LS8J2M-T	1
S613*	2260002740	LS8J2M-T	1
S614*	2260002740	LS8J2M-T	1
S615*	2260002740	LS8J2M-T	1
S616*	2260002740	LS8J2M-T	1
MP301*	8510020810	3393 SHIELD CASE Y1290	1
MP402*	8930086320	3393 JACK HOLDER Y1289	1
MP601*	8510020820	3393 LED DRIVER CASE Y1294	1

[VR UNIT]

REF NO.	ORDER NO.	DESCRIPTION	QTY.
J1*	6510022022	14FLT-SM2-TB (LF) (SN) (M)	1
S1*	2250000820	TP90D96AE20PY-17F-1352	1

[ACCESSORIES]

REF NO.	ORDER NO.	DESCRIPTION	QTY.
P1	5610000420	AP-338 (BK1)	1
F1	5210000840	ATC-30	2
F2	5210000940	1205	1
MC1	(Optional)	HM-198	1
W1	8900021450	OPC-1457	[USA] 1
	8900021450	OPC-1457	[TPE] 1
	8900021450	OPC-1457	[KOR] 1
	8900021450	OPC-1457	[CHN] 1
	8900021450	OPC-1457	[EXP] 1
W2	8900006110	OPC-596	1
W3	(Optional)	OPC-2253	1
W4	8900015431	OPC-1637A <KOU>	1
EP1	0880003060	OPC-2095	[EUR] 1
	0880003060	OPC-2095	[EUR-01] 1
	0880003060	OPC-2095	[ITR] 1
	0880003060	OPC-2095	[ESP] 1
	0880003060	OPC-2095	[FRA] 1
EP2	6910011941	ZCAT2436-1330A-BK	1
EP3	6910011941	ZCAT2436-1330A-BK	[EUR] 1
	6910011941	ZCAT2436-1330A-BK	[EUR-01] 1
	6910011941	ZCAT2436-1330A-BK	[ITR] 1
	6910011941	ZCAT2436-1330A-BK	[ESP] 1
	6910011941	ZCAT2436-1330A-BK	[FRA] 1

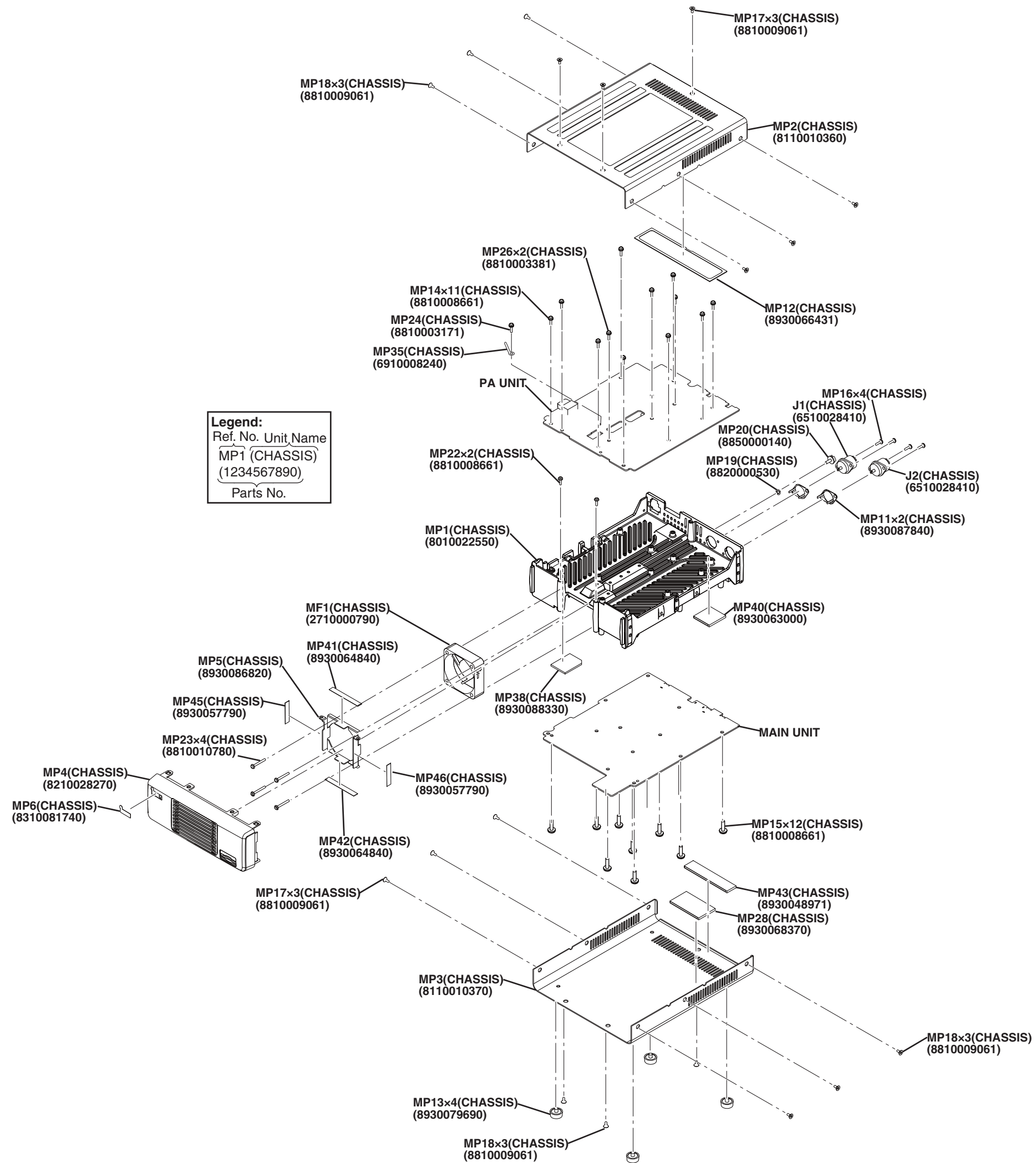


*: Refer to "BOARD LAYOUTS" for the location.

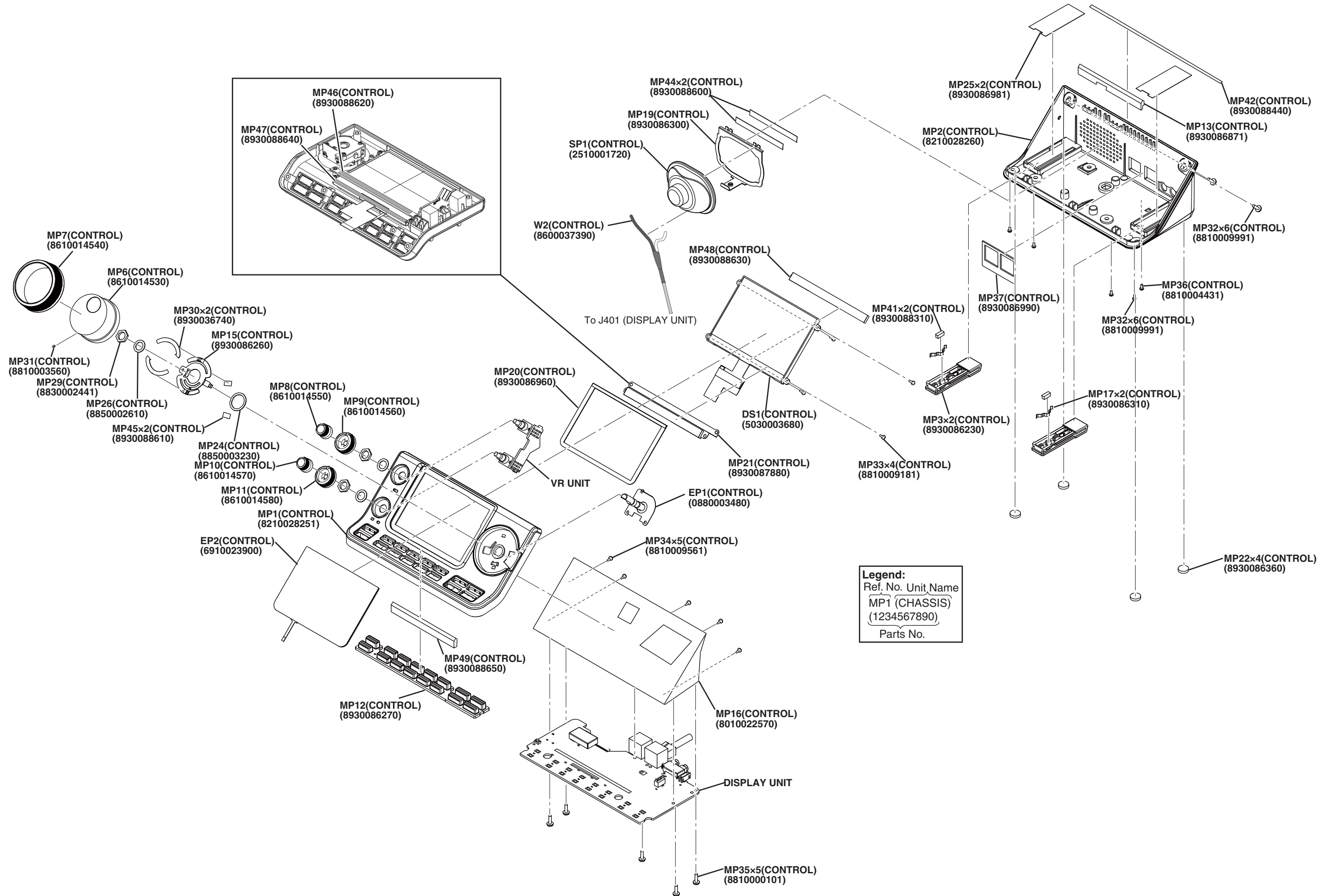
** : Refer to "GENERAL WIRING" for the connection

Screw abbreviations A, B0, BT: Self-tapping PH: Pan head ZK: Black NI-ZU: Nickel-Zinc SUS: Stainless

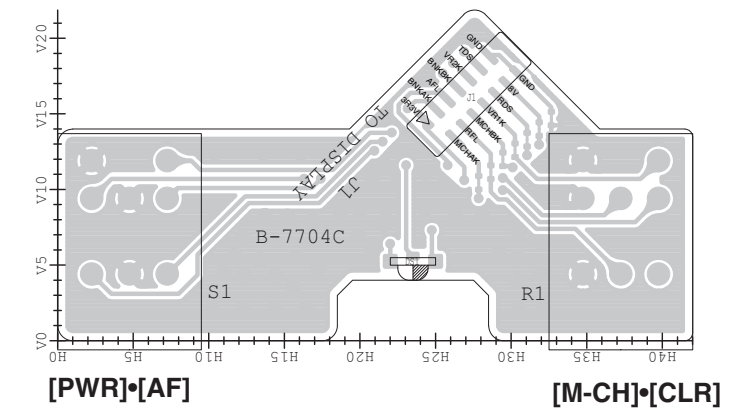
• CHASSIS



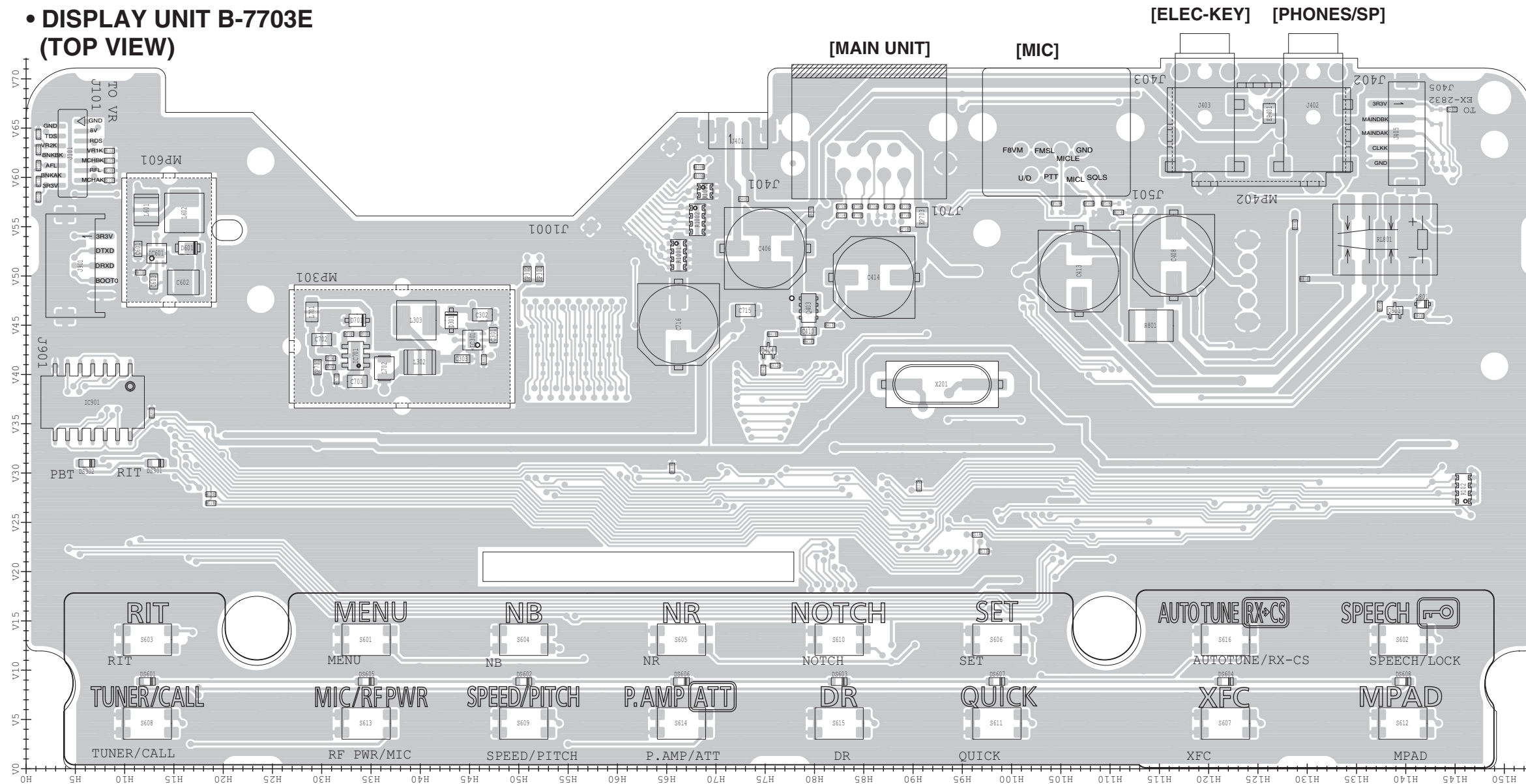
• CONTROL UNIT



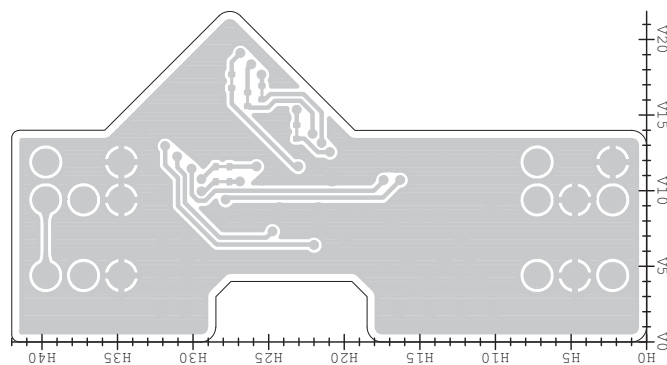
• VR UNIT B-7704C
(TOP VIEW)



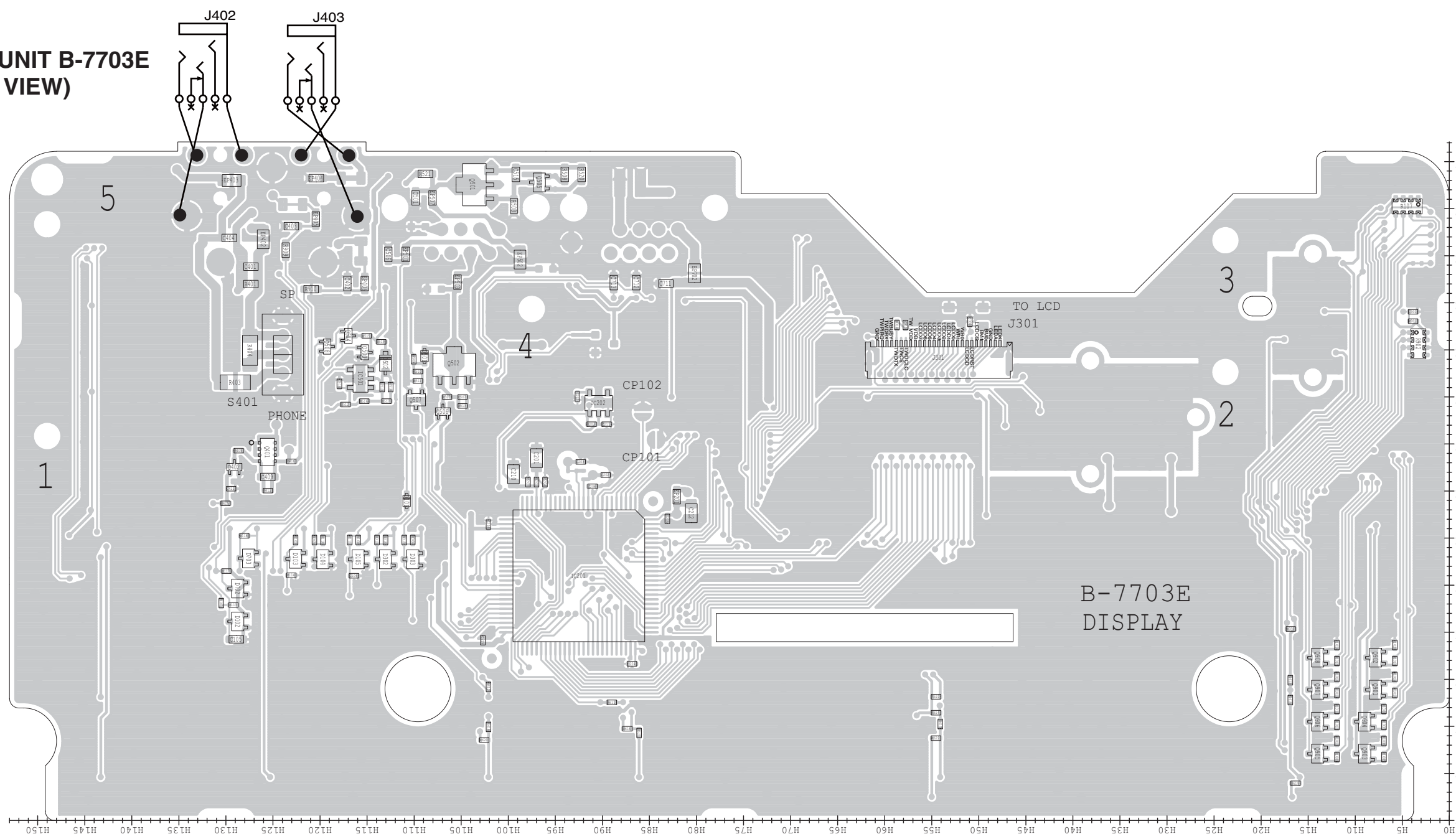
• DISPLAY UNIT B-7703E
(TOP VIEW)



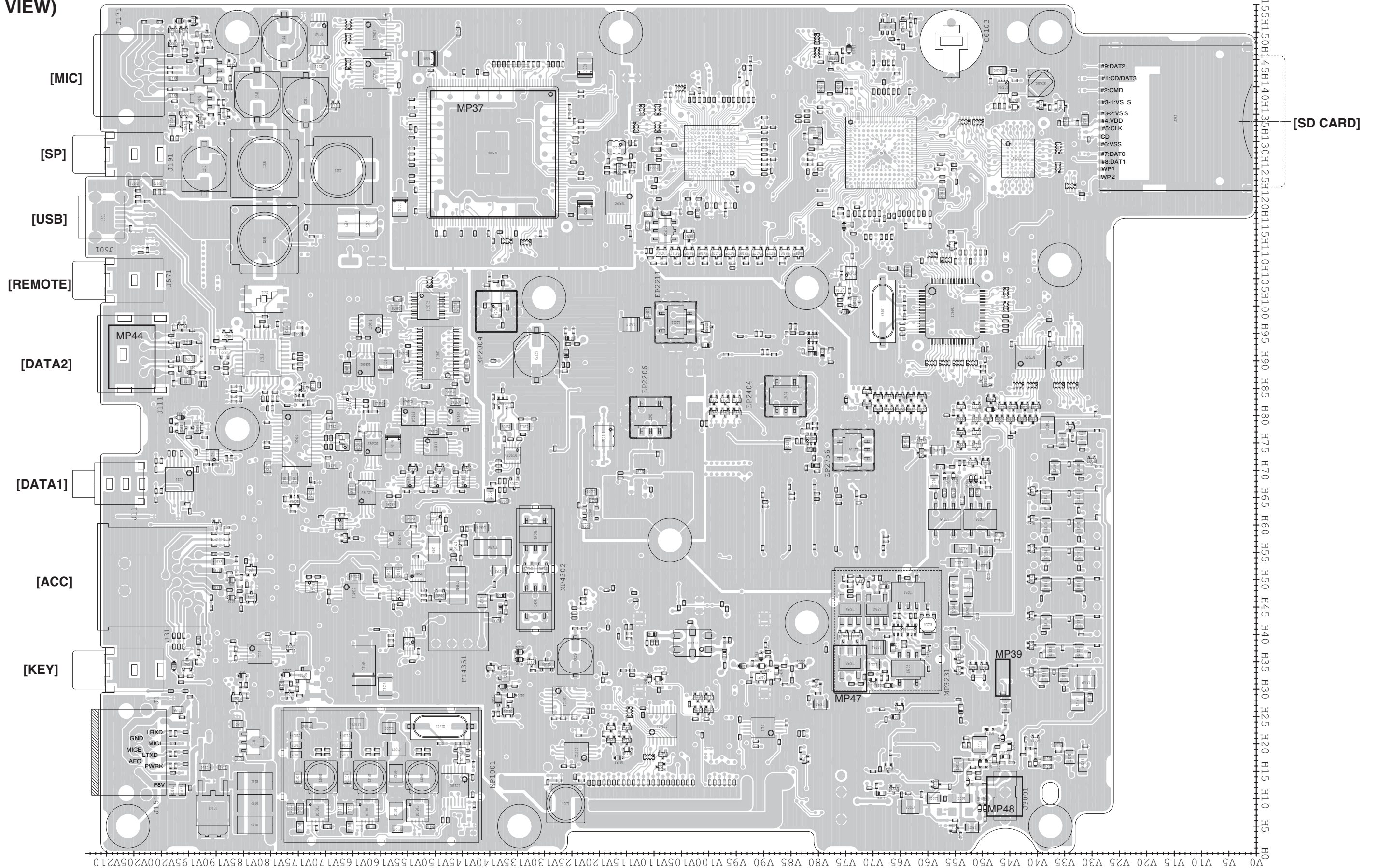
• VR UNIT B-7704C
(BOTTOM VIEW)



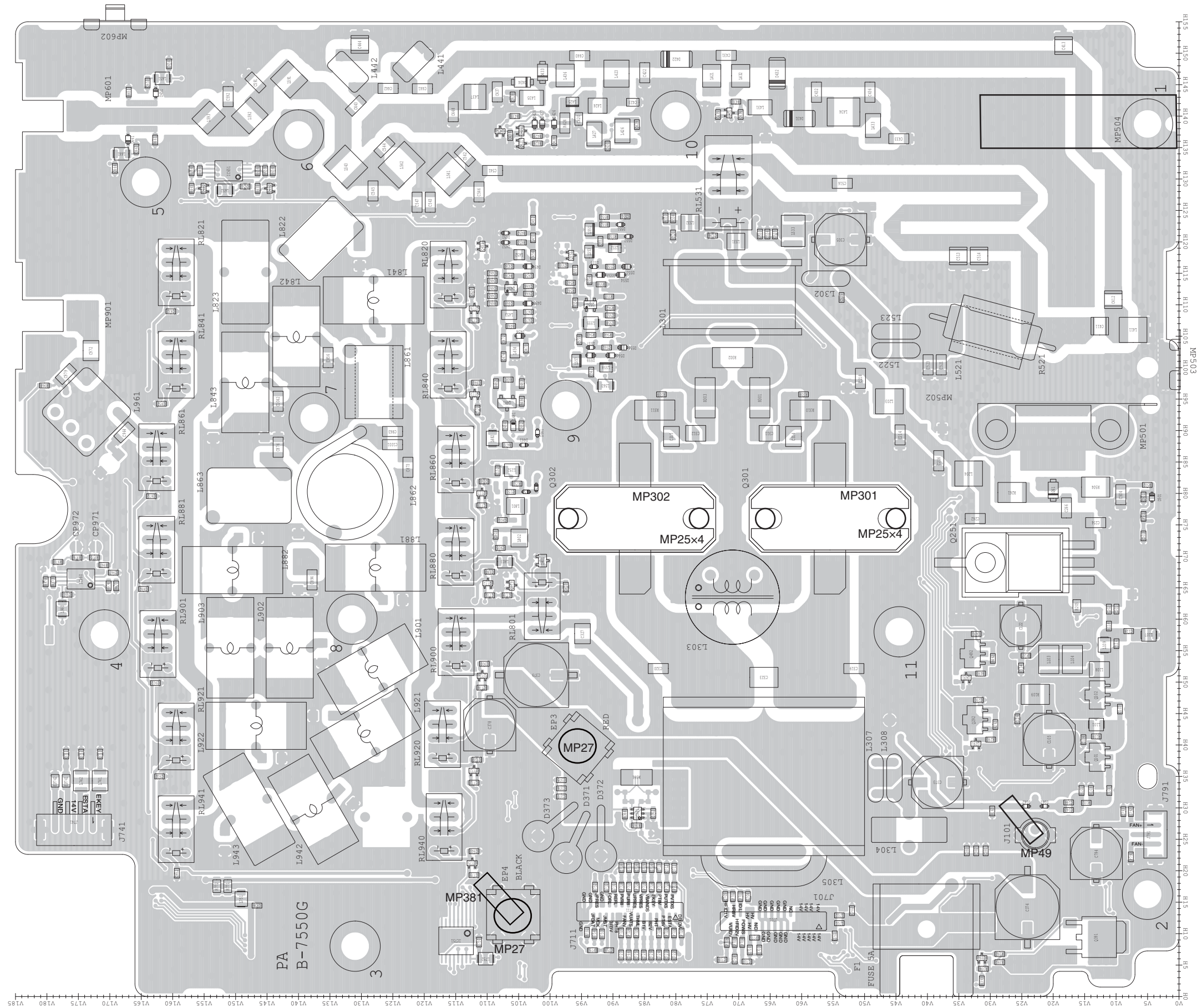
• DISPLAY UNIT B-7703E
(BOTTOM VIEW)



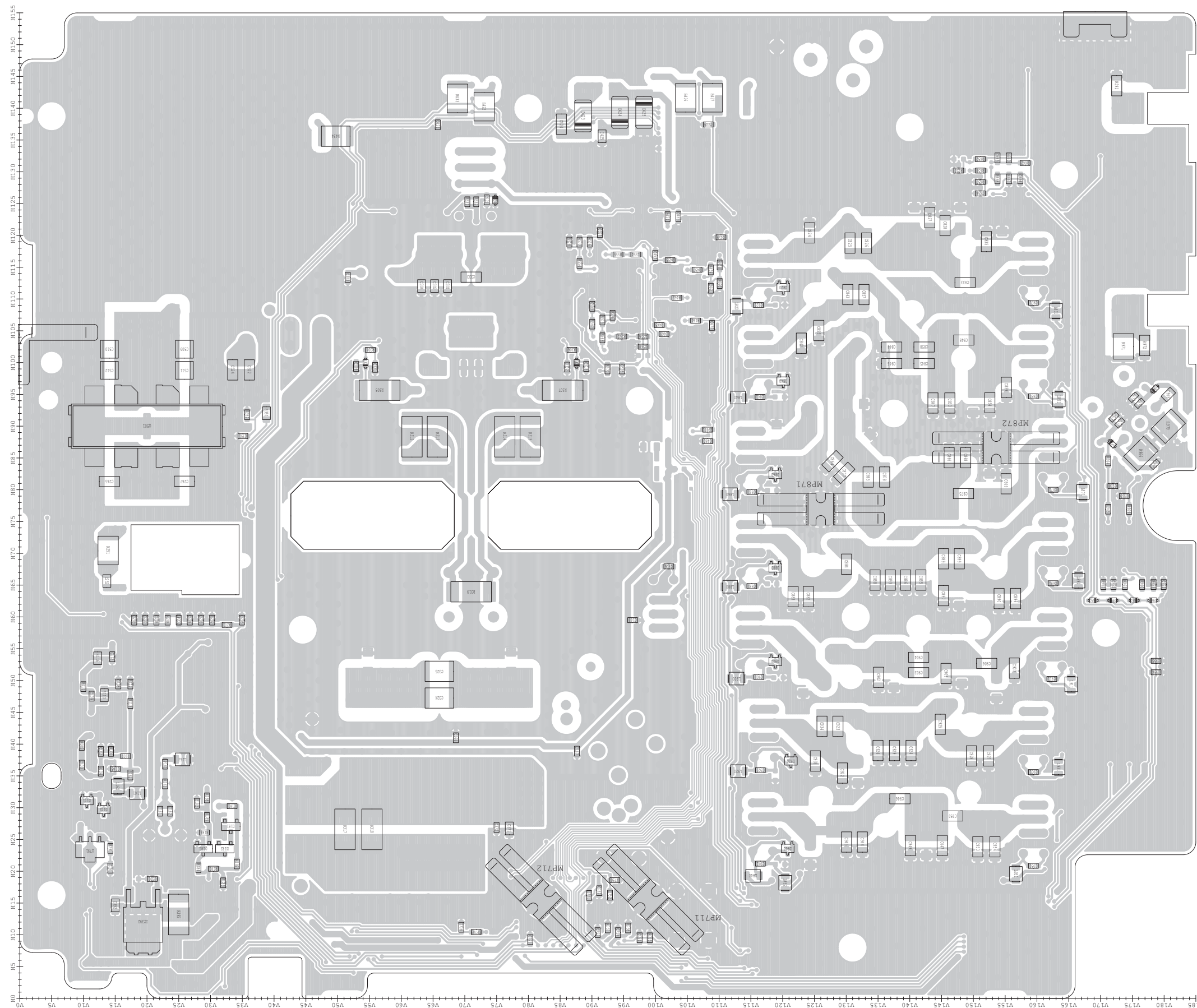
• MAIN UNIT B-7718F
(TOP VIEW)



• PA UNIT B-7550G
(TOP VIEW)

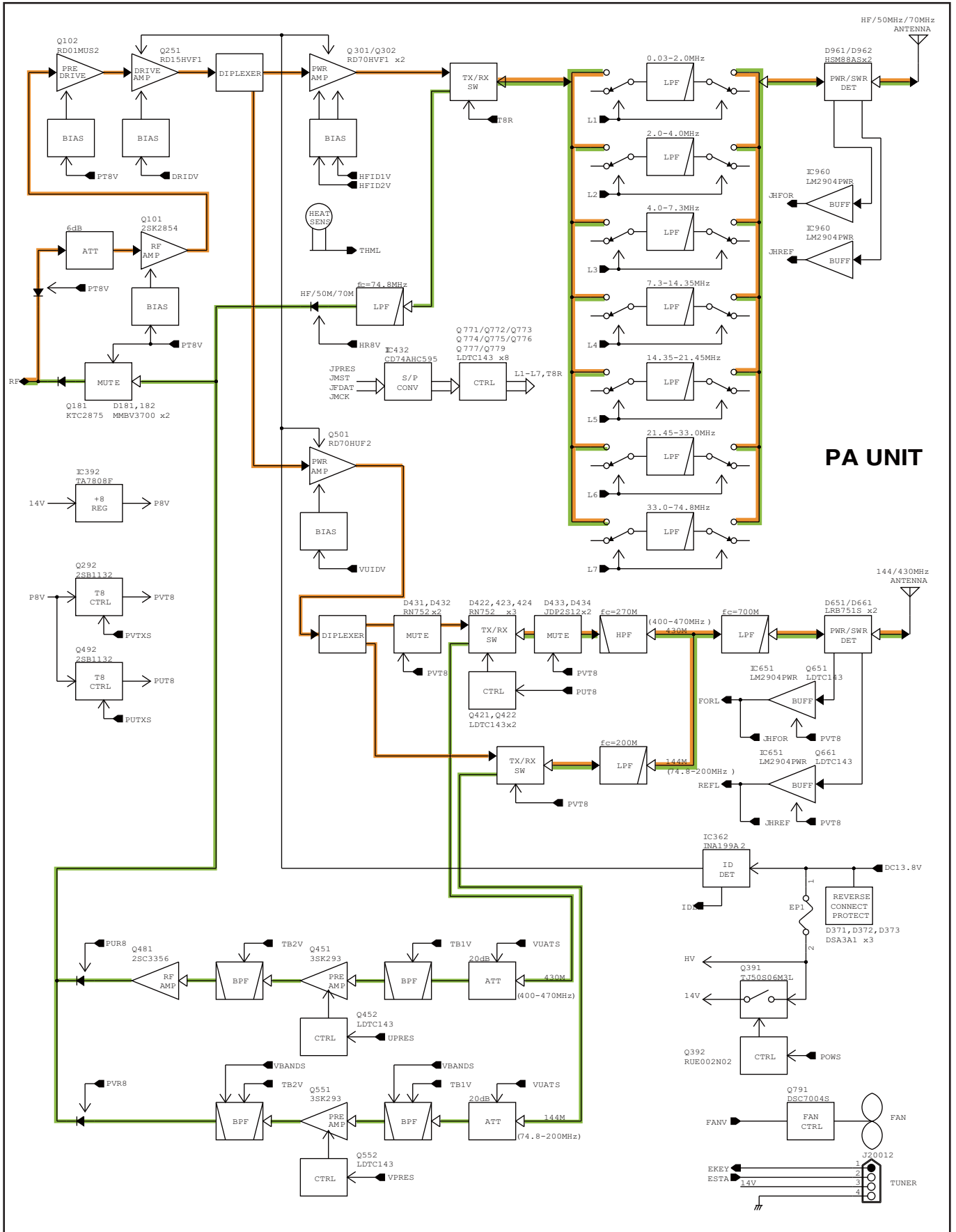


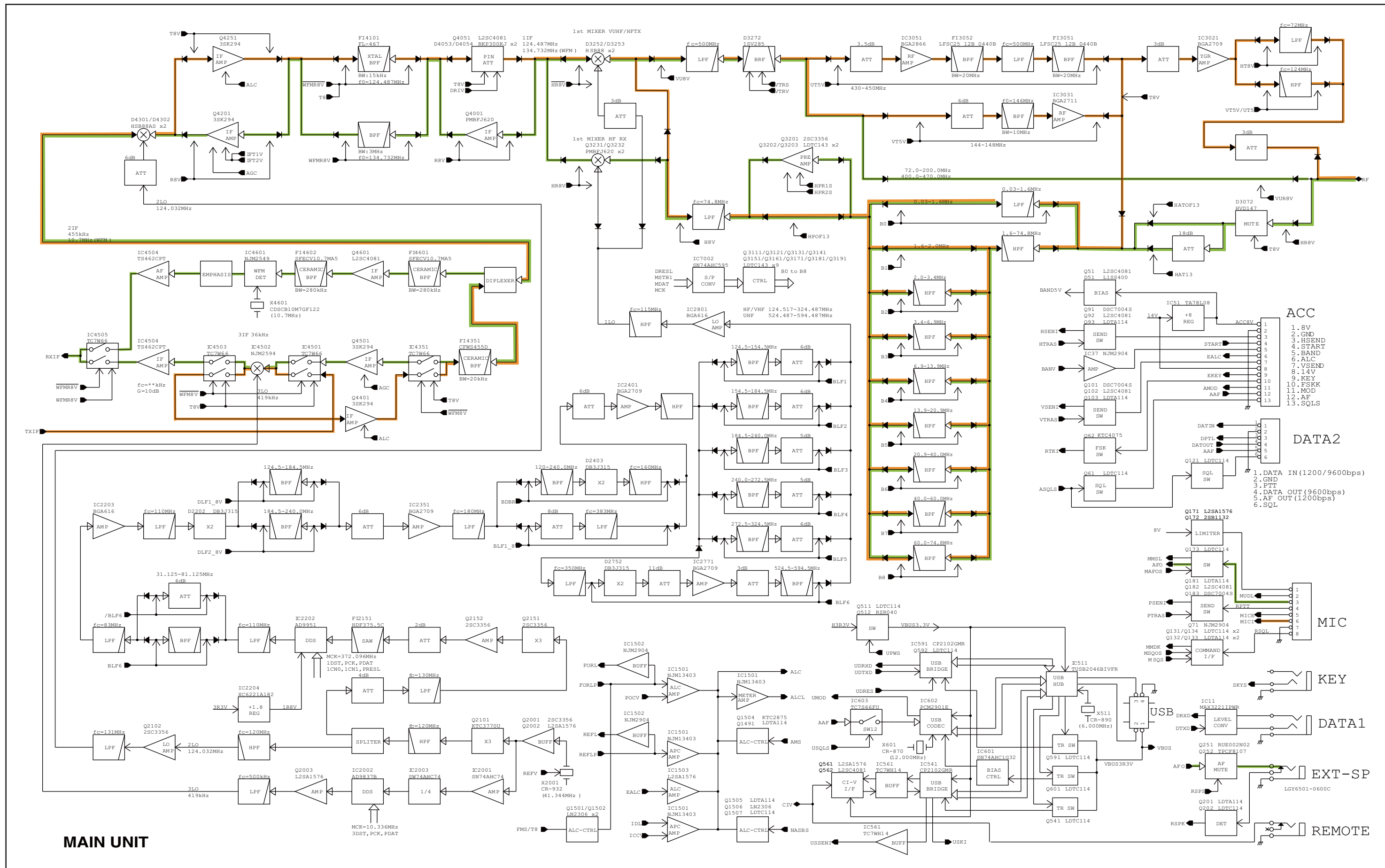
•PA UNIT B-7550G
(BOTTOM VIEW)



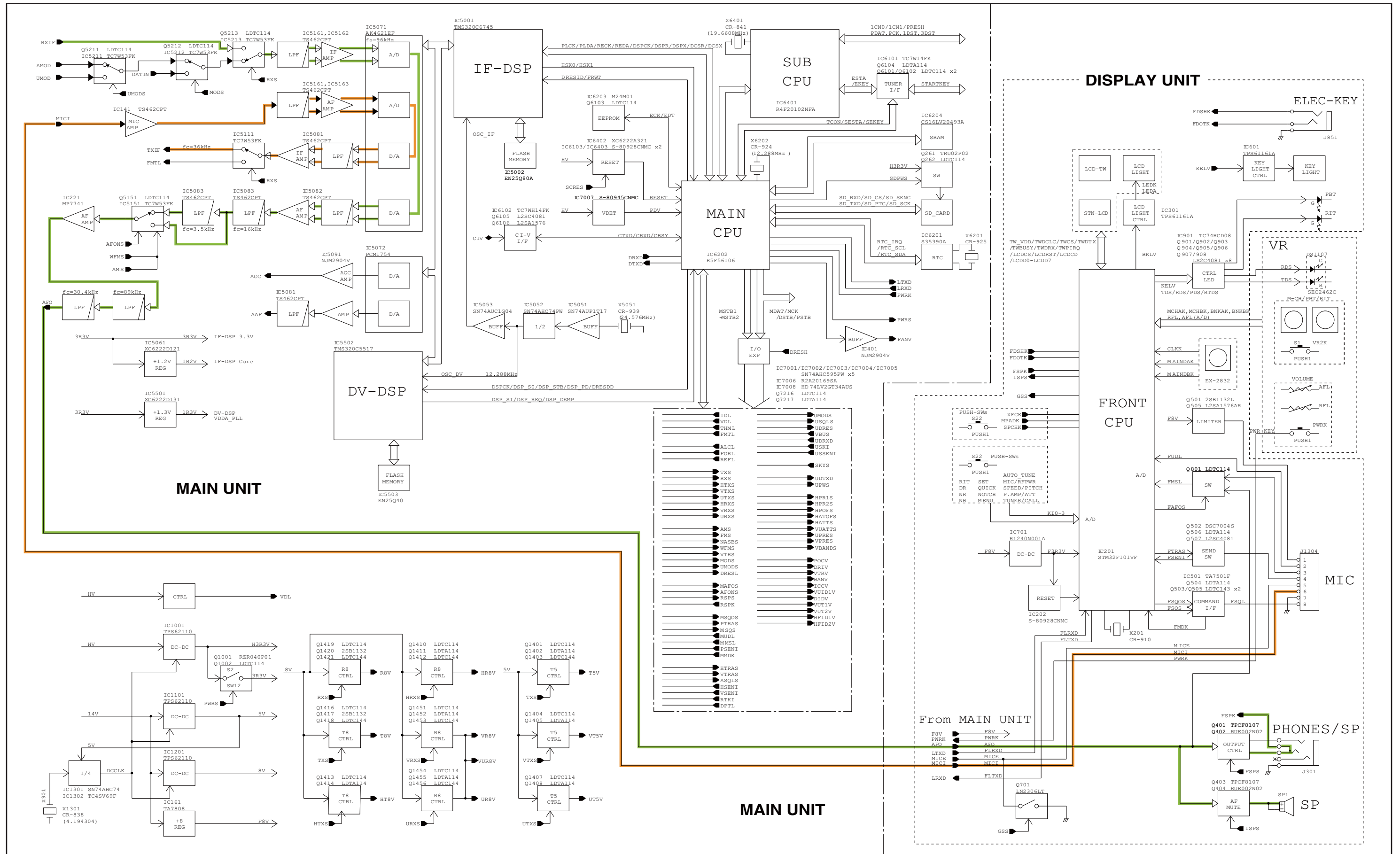
SECTION 9

BLOCK DIAGRAM

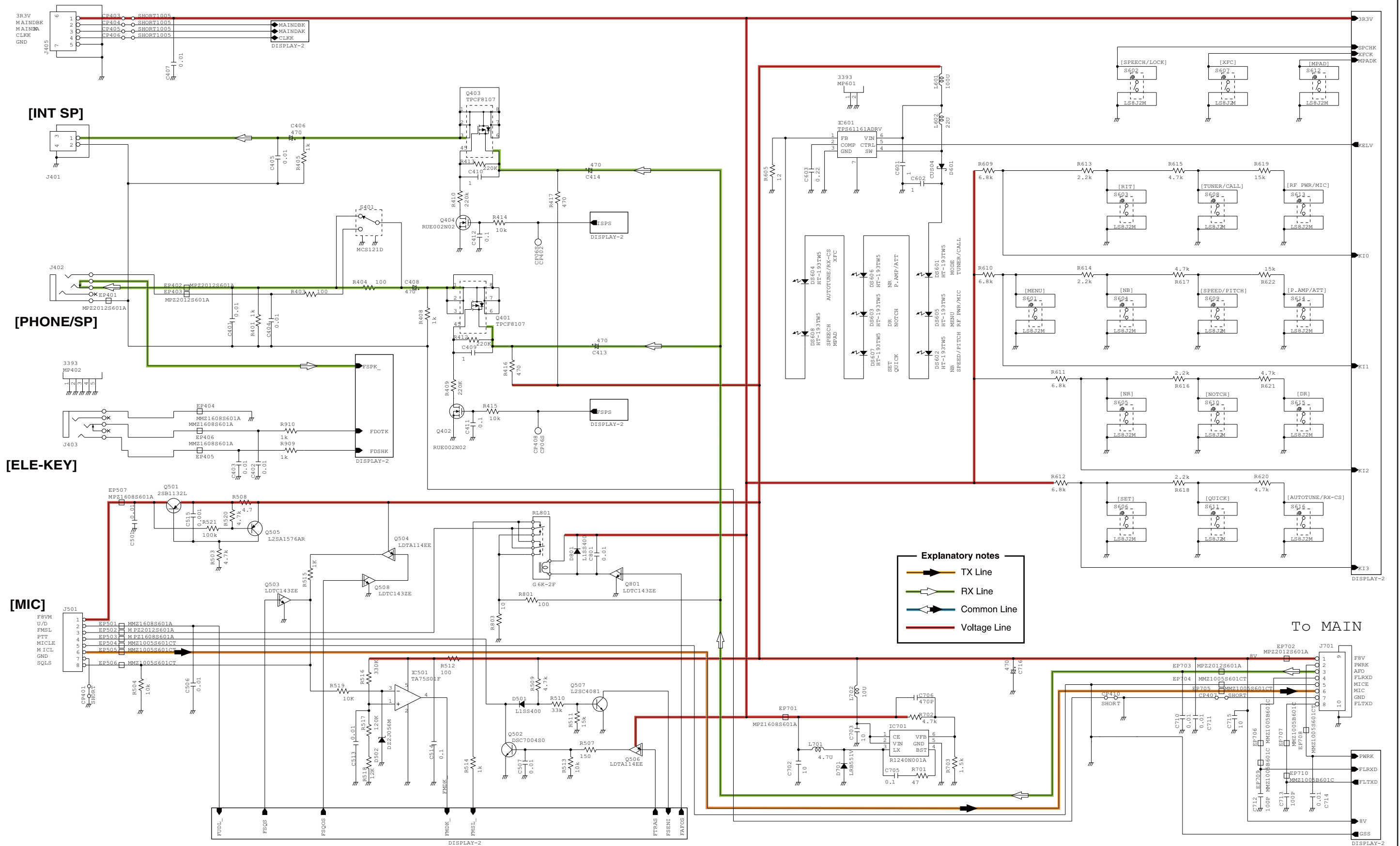




MAIN UNIT

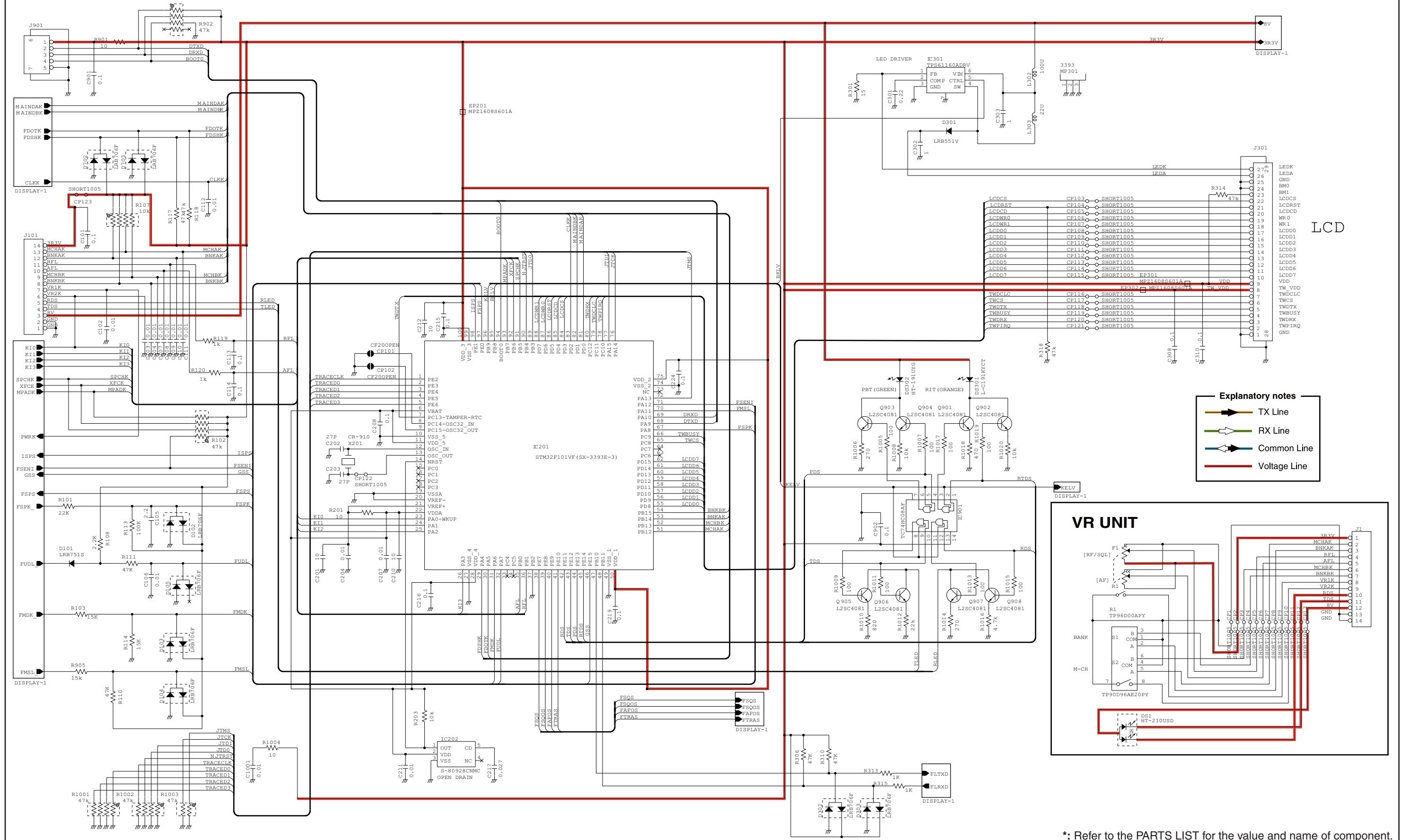


• DISPLAY UNIT (DISPLAY-1)

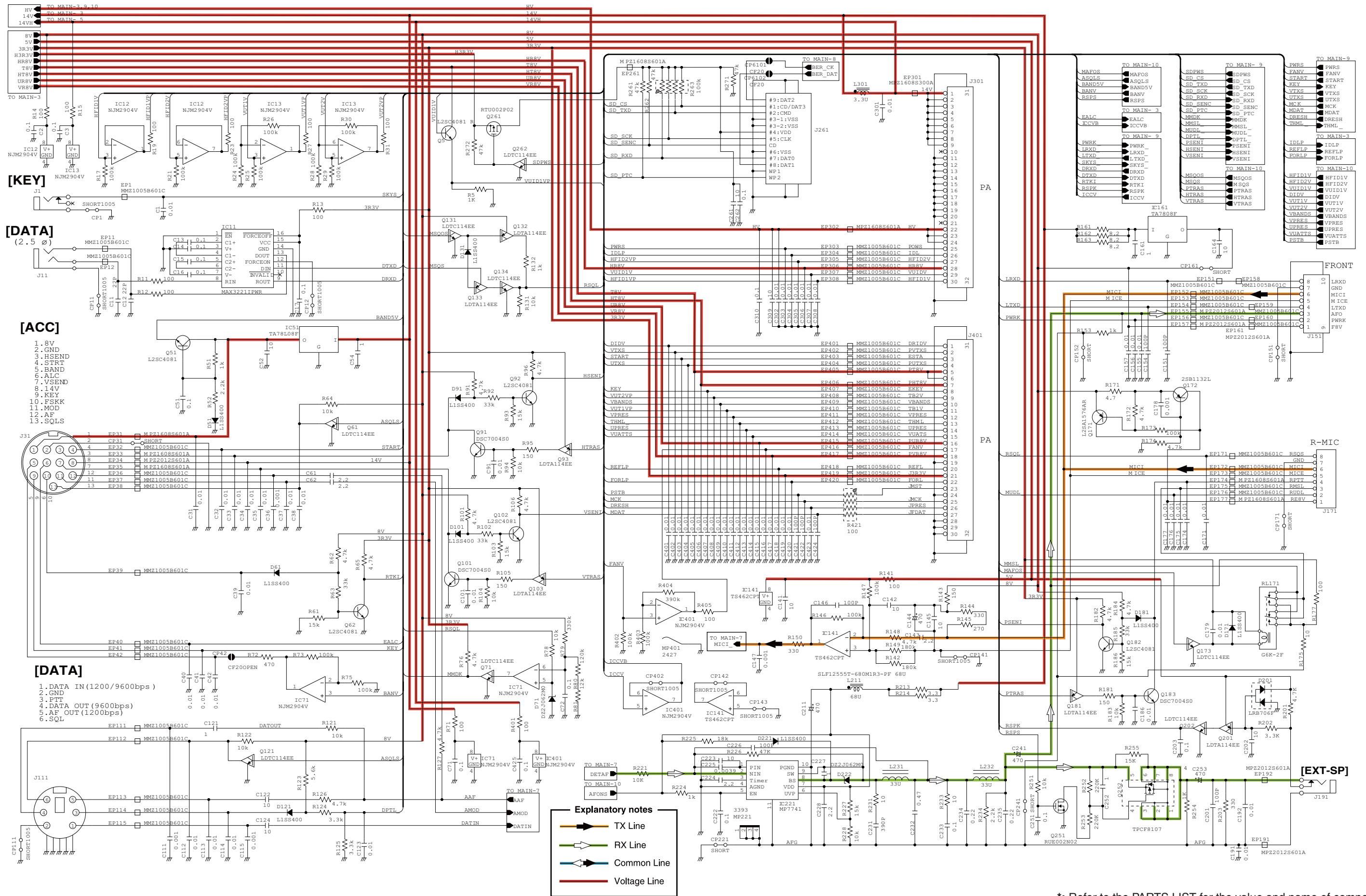


*: Refer to the PARTS LIST for the value and name of component.

• DISPLAY UNIT (DISPLAY-2)



• MAIN UNIT (MAIN-1)



[KEY]

[DATA]
(2.5 Ø)

[ACC]

[DATA]

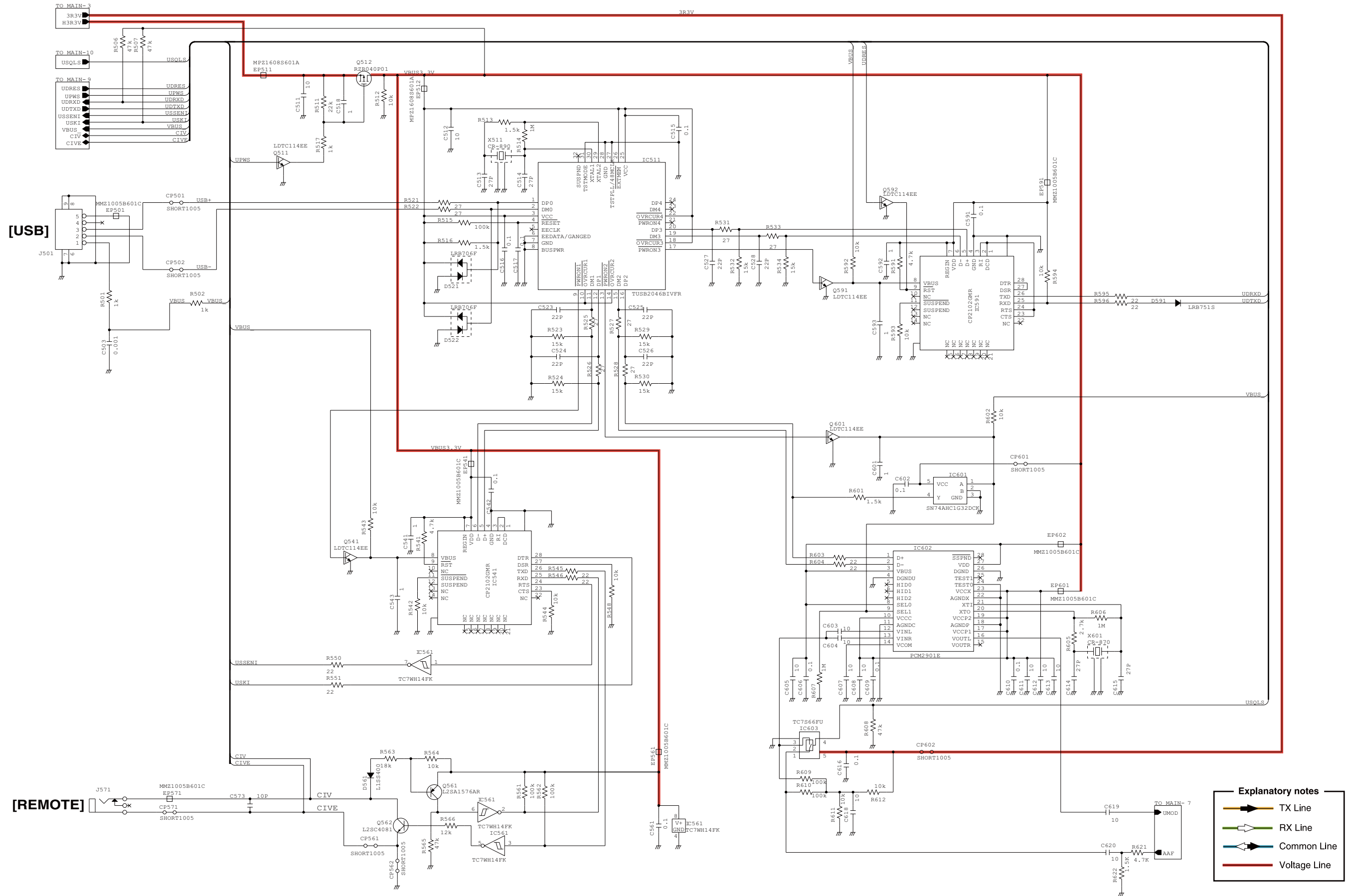
[DATA]

Explanatory notes

- TX Line
- RX Line
- Common Line
- Voltage Line

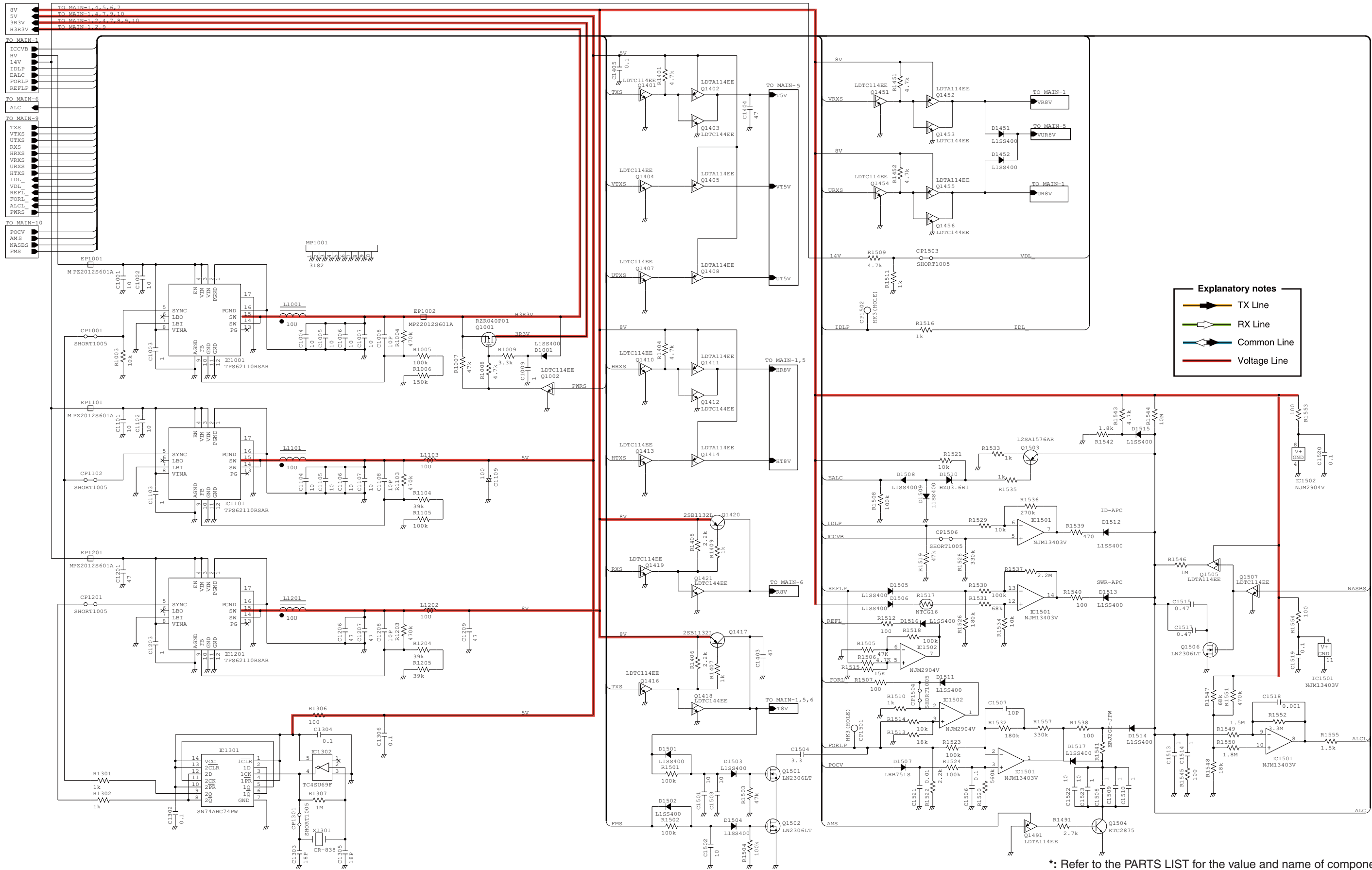
*: Refer to the PARTS LIST for the value and name of component.

• MAIN UNIT (MAIN-2)



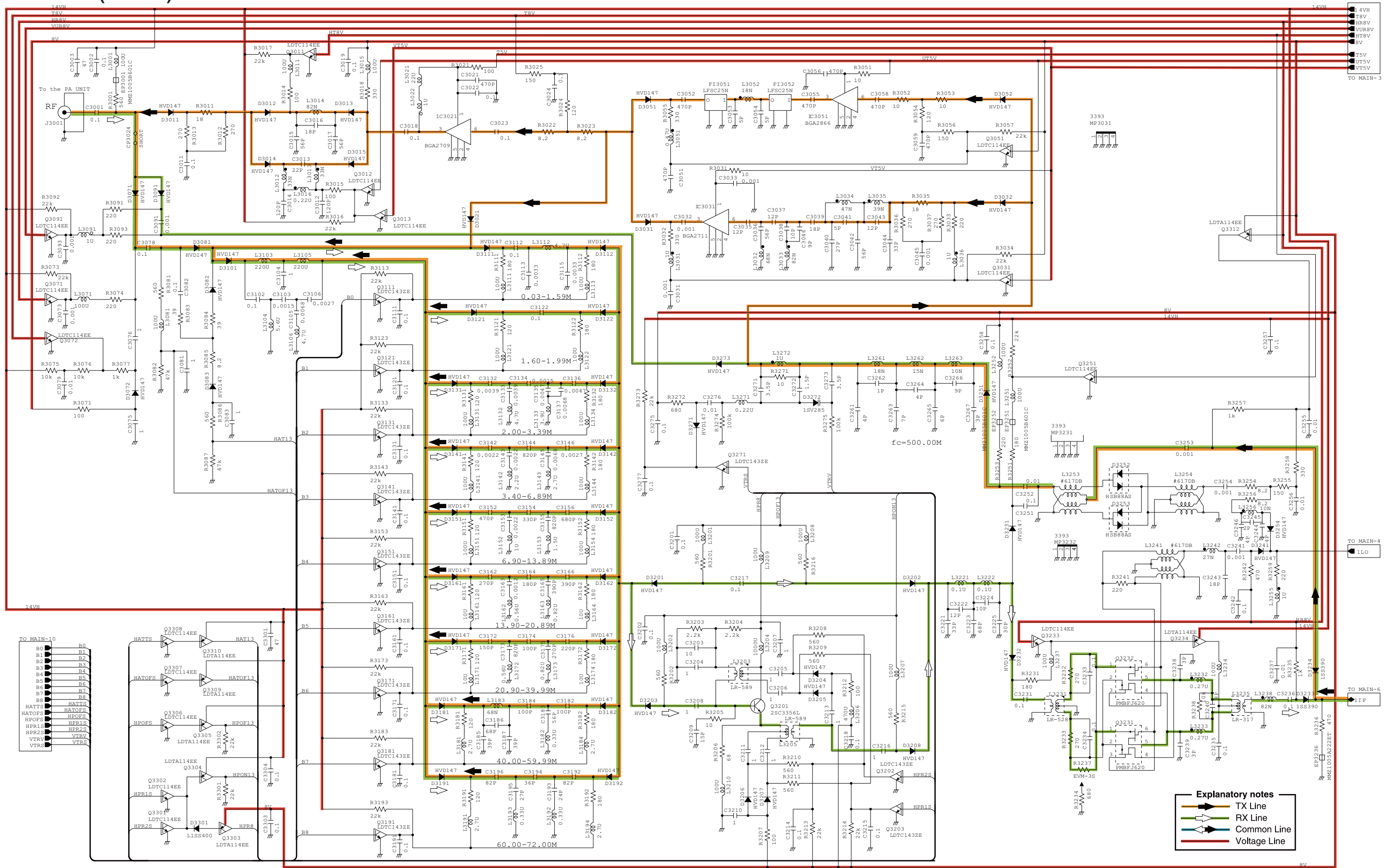
*: Refer to the PARTS LIST for the value and name of component.

• MAIN UNIT (MAIN-3)



*: Refer to the PARTS LIST for the value and name of component.

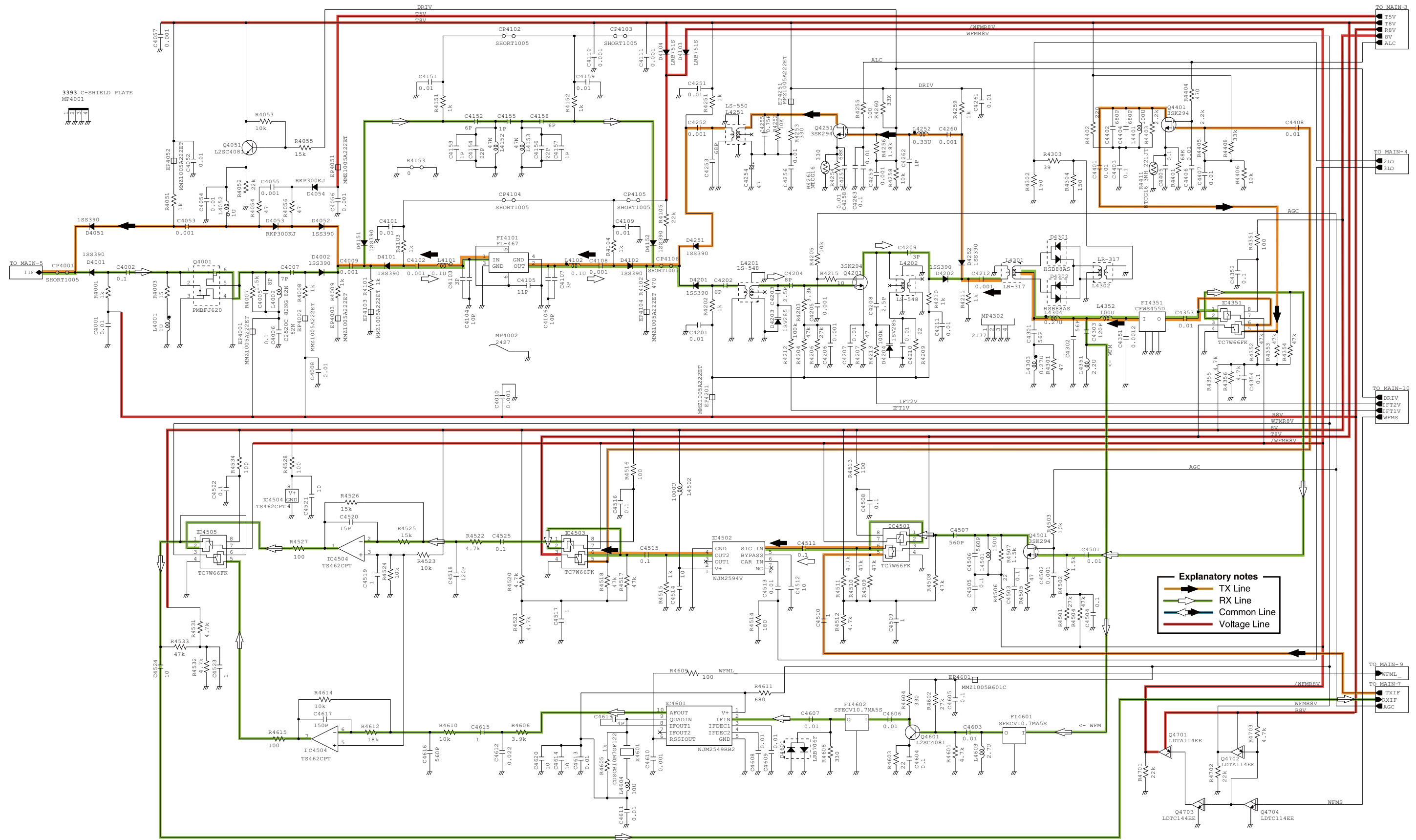
• MAIN UNIT (MAIN-5)



Explanatory notes
 — TX Line
 — RX Line
 — Common Line
 — Voltage Line

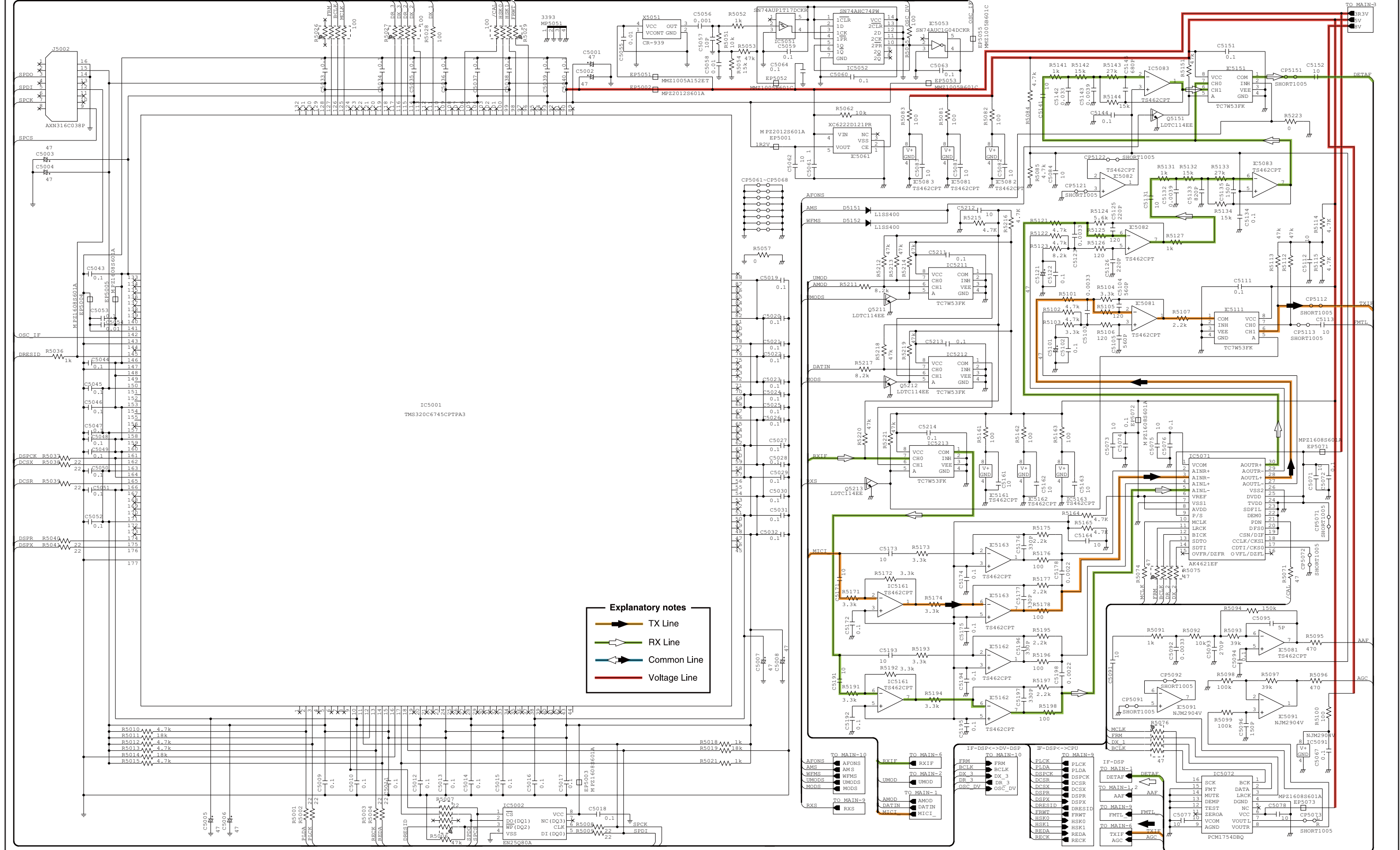
*: Refer to the PARTS LIST for the value and name of component.

• MAIN UNIT (MAIN-6)



*: Refer to the PARTS LIST for the value and name of component.

• MAIN UNIT (MAIN-7)

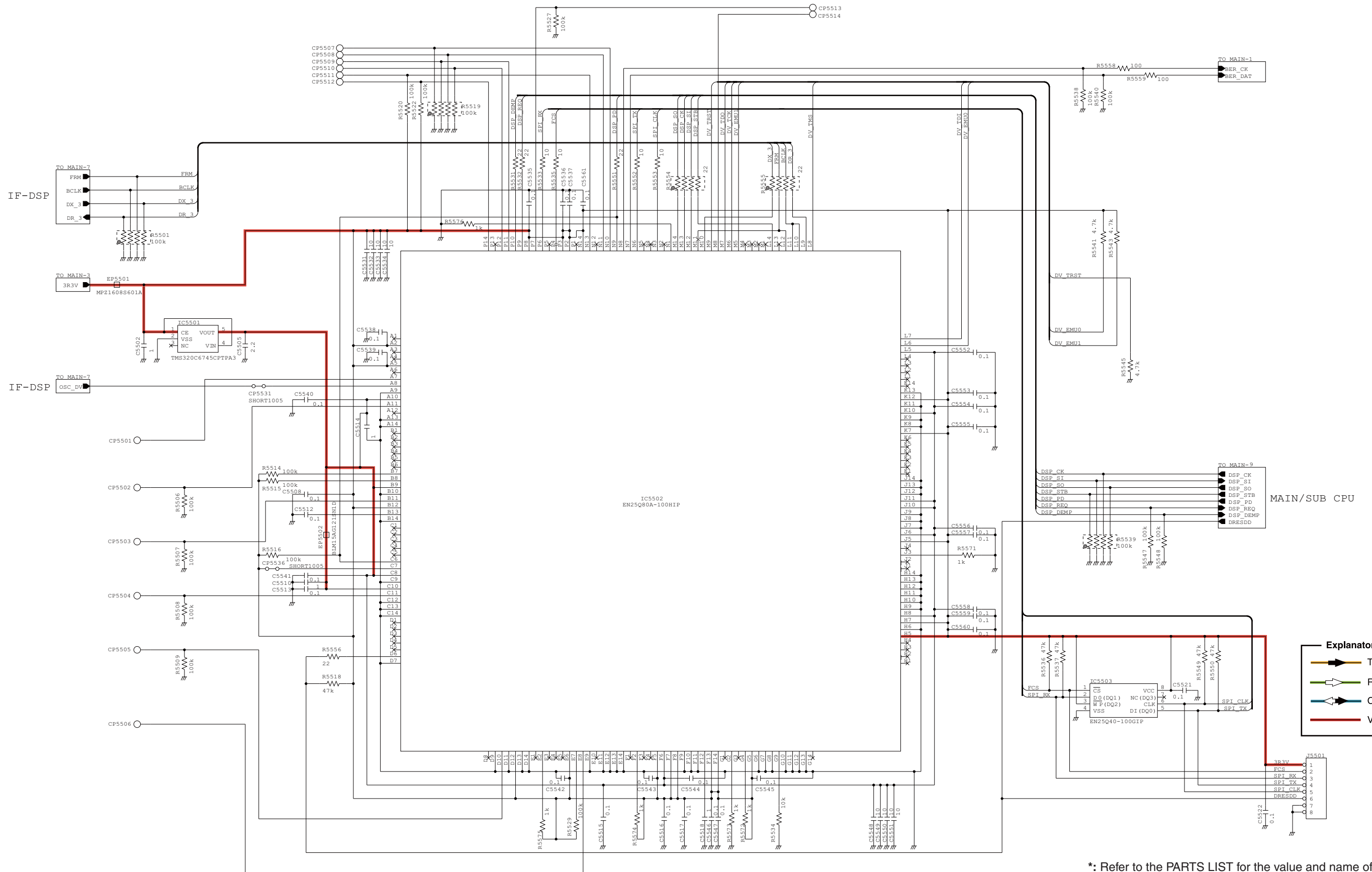


Explanatory notes

- TX Line
- RX Line
- Common Line
- Voltage Line

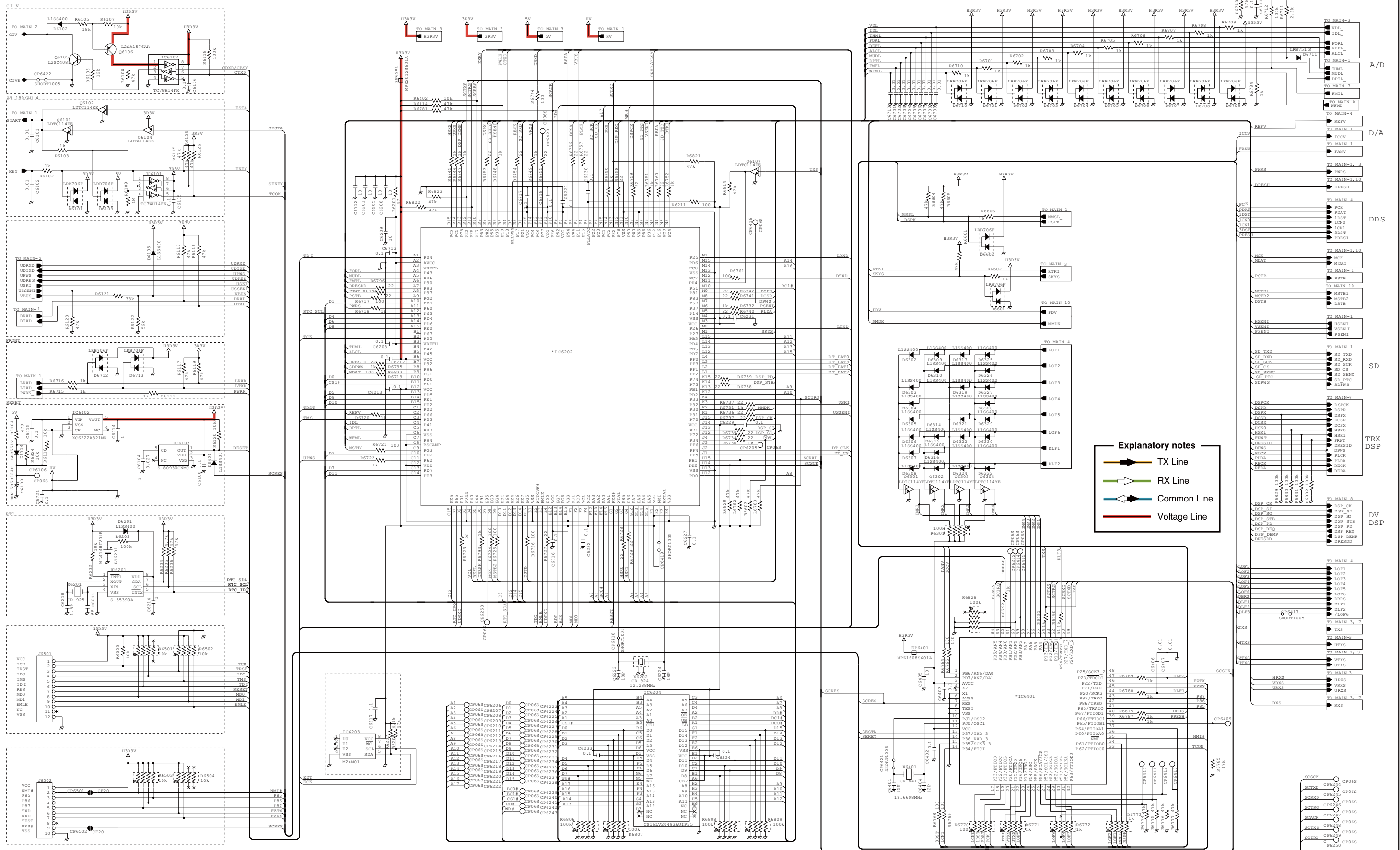
*: Refer to the PARTS LIST for the value and name of component.

• MAIN UNIT (MAIN-8)



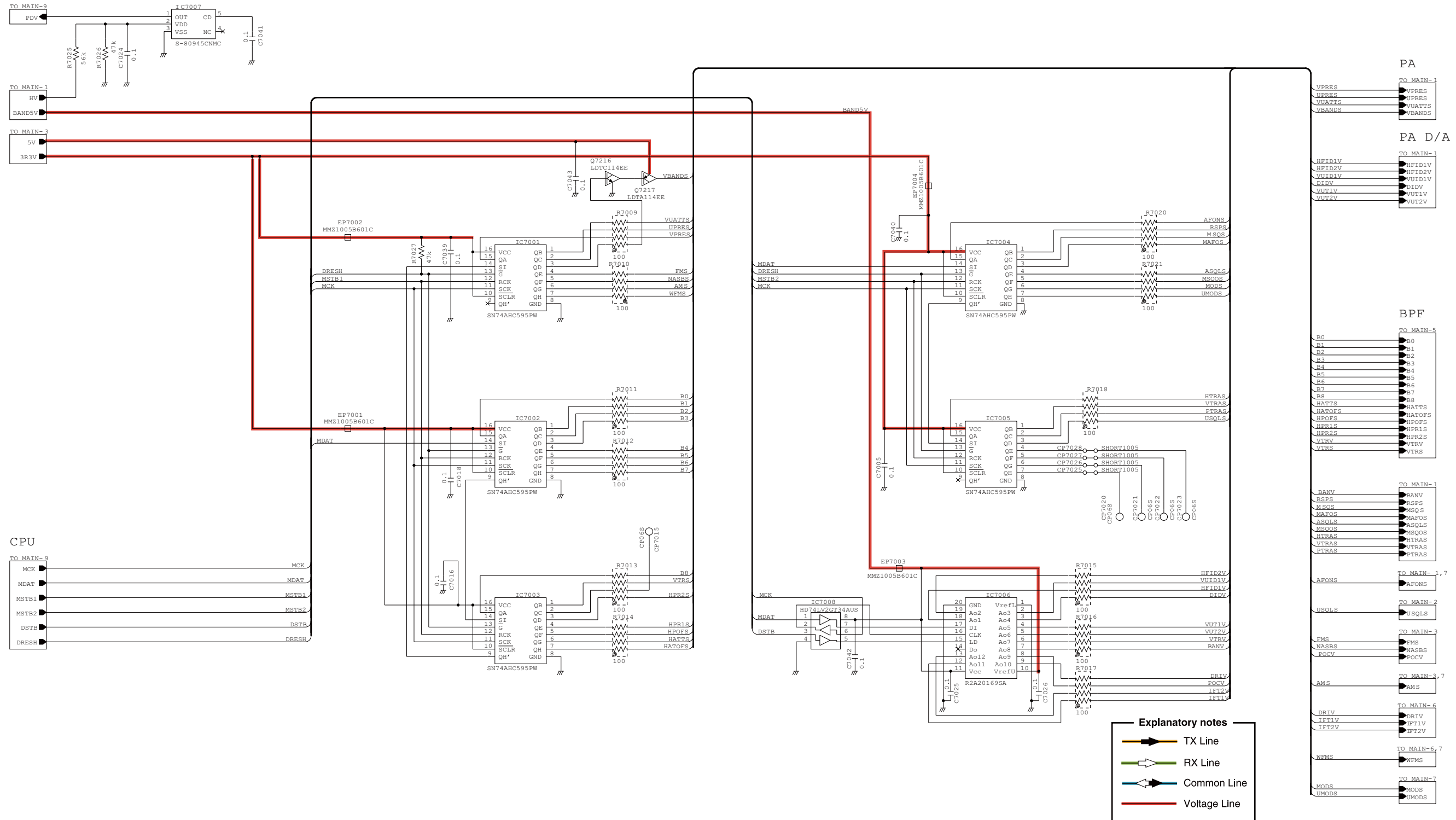
*: Refer to the PARTS LIST for the value and name of component.

• MAIN UNIT (MAIN-9)



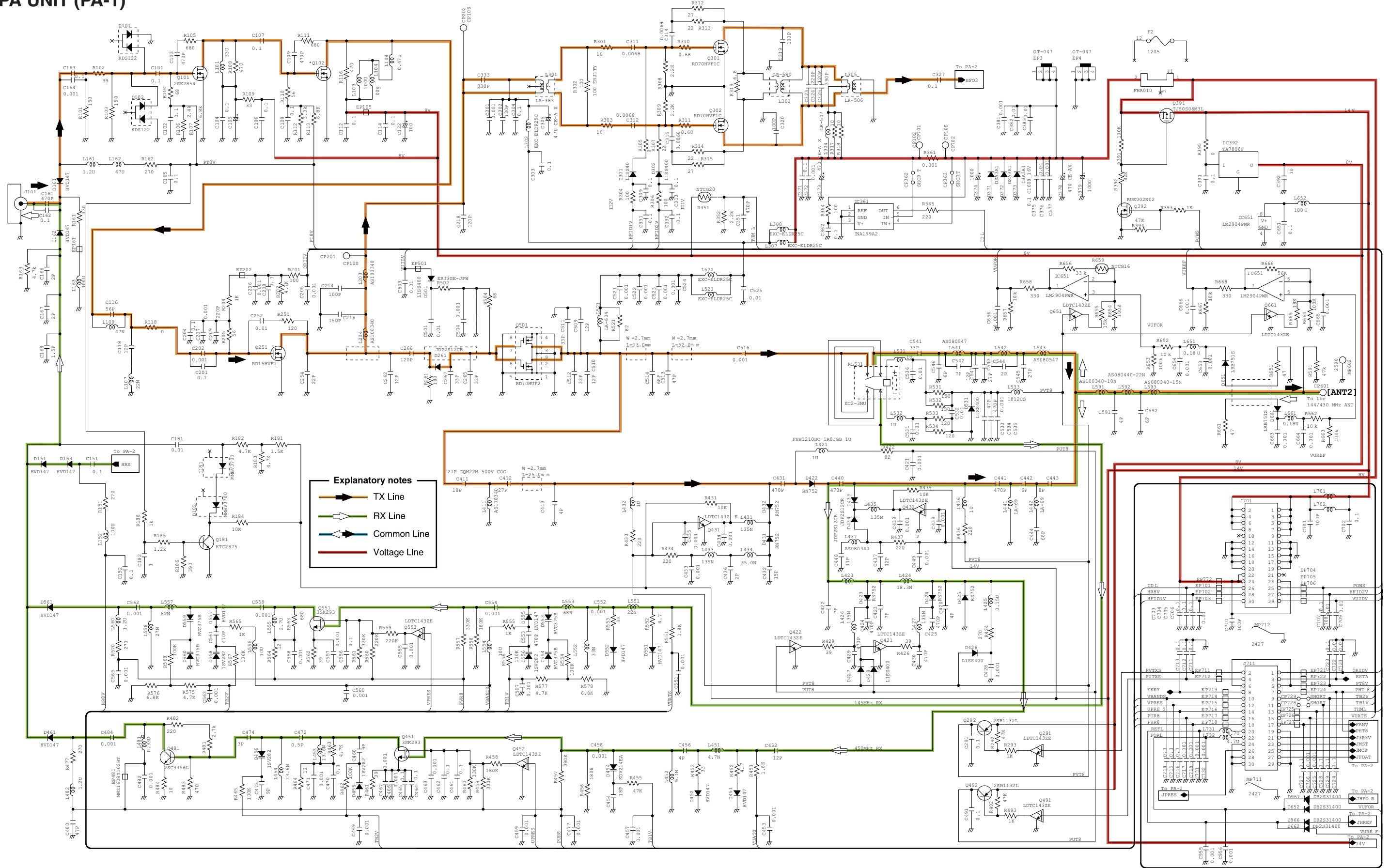
*: Refer to the PARTS LIST for the value and name of component.

• MAIN UNIT (MAIN-10)



*: Refer to the PARTS LIST for the value and name of component.

• PA UNIT (PA-1)



Explanatory notes

- TX Line
- RX Line
- Common Line
- Voltage Line

*: Refer to the PARTS LIST for the value and name of component.

Icom Inc.

1-1-32, Kamiminami, Hirano-ku, Osaka 547-0003, Japan
Phone : +81 (06) 6793 5302
Fax : +81 (06) 6793 0013
URL : <http://www.icom.co.jp/world/index.html>

Icom America Inc.

<Corporate Headquarters>
2380 116th Avenue N.E., Bellevue, WA 98004, U.S.A.
Phone : +1 (425) 454-8155 Fax : +1 (425) 454-1509
URL : <http://www.icomamerica.com>
E-mail : sales@icomamerica.com
<Customer Service>
Phone : +1 (425) 454-7619

Icom Canada

Glenwood Centre #150-6165
Highway 17 Delta, B.C., V4K 5B8, Canada
Phone : +1 (604) 952-4266 Fax : +1 (604) 952-0090
URL : <http://www.icomcanada.com>
E-mail : info@icomcanada.com

Icom (Australia) Pty. Ltd.

Unit 1 / 103 Garden Road, Clayton VIC 3168 Australia
Phone : +61 (03) 9549-7500 Fax : +61 (03) 9549-7505
URL : <http://www.icom.net.au>
E-mail : sales@icom.net.au

Icom New Zealand

146A Harris Road, East Tamaki,
Auckland, New Zealand
Phone : +64 (09) 274 4062 Fax : +64 (09) 274 4708
URL : <http://www.icom.co.nz>
E-mail : inquiries@icom.co.nz

Shanghai Icom Ltd.

No.101, Building 9, Caifuxingyuan Park, No.188 Maoting Road,
Chedun Town, Songjiang District, Shanghai, 201611, China
Phone : +86 (021) 6153 2768
Fax : +86 (021) 5765 9987

Icom Brazil

Rua Itororó, 444 Padre Eustáquio Belo Horizonte MG,
CEP: 30130-150 Brazil
Phone : +55 (31) 3582 8847 Fax : +55 (31) 3582 8987
E-mail : sales@icombrazil.com

Icom (Europe) GmbH

Communication Equipment
Auf der Krautweide 24
65812 Bad Soden am Taunus, Germany
Phone : +49 (6196) 76685-0 Fax : +49 (6196) 76685-50
URL : <http://www.icomeurope.com>
E-mail : info@icomeurope.com

Icom Spain S.L

Ctra. Rubi, No. 88 Bajos A 08174, Sant Cugat del Valles, Barcelona, Spain
Phone : +34 (93) 590 26 70 Fax : +34 (93) 589 04 46
URL : <http://www.icomspain.com>
E-mail : icom@icomspain.com

Icom (UK) Ltd.

Blacksale House, Altira Park, Herne Bay, Kent CT6 6GZ, UK
Phone : +44 (0) 1227 741741 Fax : +44 (0) 1227 741742
URL : <http://www.icomuk.co.uk>
E-mail : info@icomuk.co.uk

Icom France s.a.s.

Zac de la Plaine
1 Rue Brindejonc des Moulinais BP 5804
31505 Toulouse Cedex, France
Phone : +33 (5) 61 36 03 03 Fax : +33 (5) 61 36 03 00
URL : <http://www.icom-france.com>
E-mail : icom@icom-france.com

Asia Icom Inc.

6F No.68, Sec. 1 Cheng-Teh Road, Taipei, Taiwan, R.O.C.
Phone : +886 (02) 2559 1899 Fax : +886 (02) 2559 1874
URL : <http://www.asia-icom.com>
E-mail : sales@asia-icom.com

Icom Polska Sp. z o.o.

80-286 Gdansk, Jaskowa Dolina St. 75, Poland
Phone : +48 (58) 551 0484 Fax : +48 (58) 551 4720
E-mail : icompolska@icompolska.pl
URL : <http://www.icompolska.pl>

Count on us!

Icom Inc.

1-1-32, Kamiminami, Hirano-ku, Osaka 547-0003, Japan

S-15008XZ-C1
© 2013 Icom Inc.