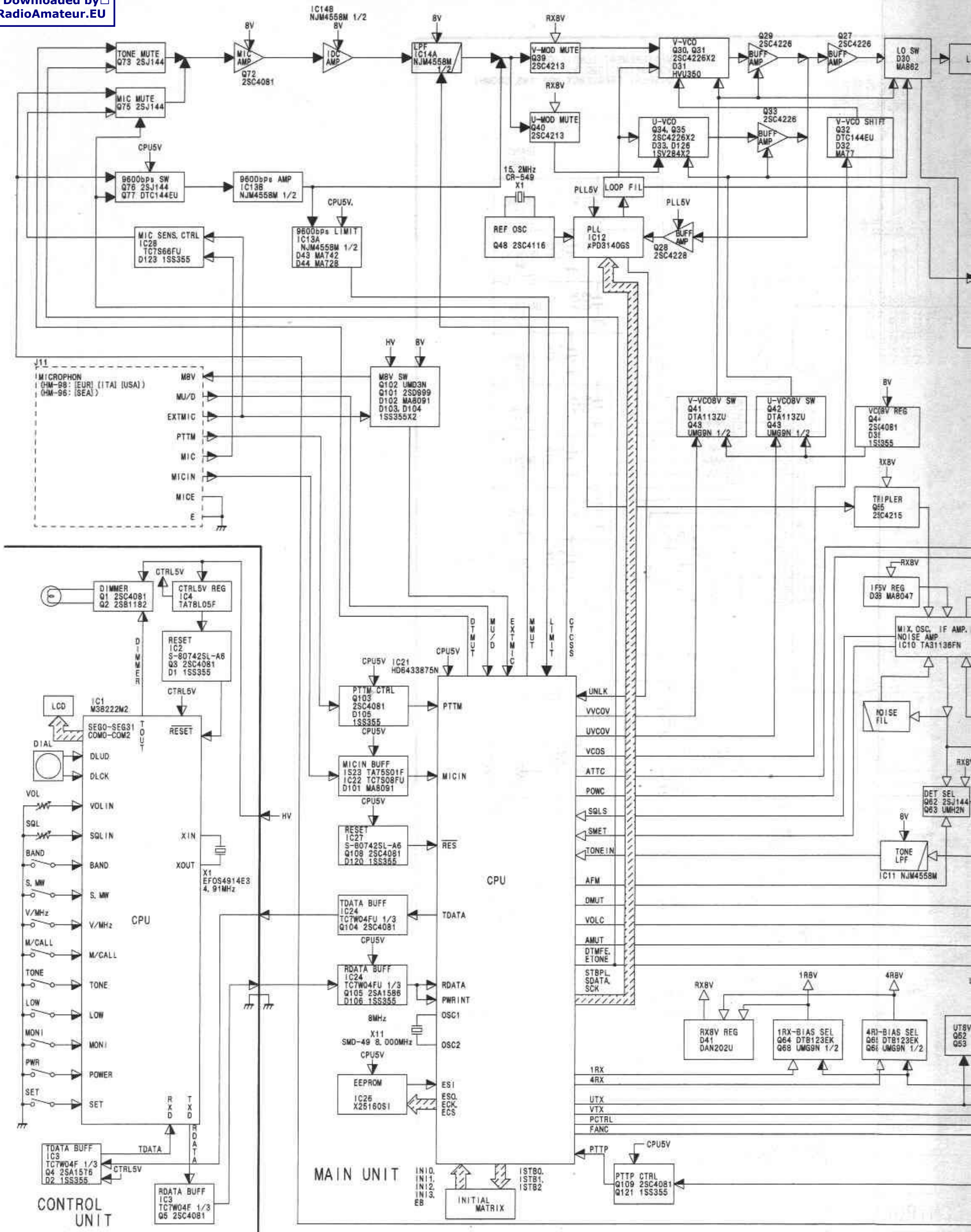
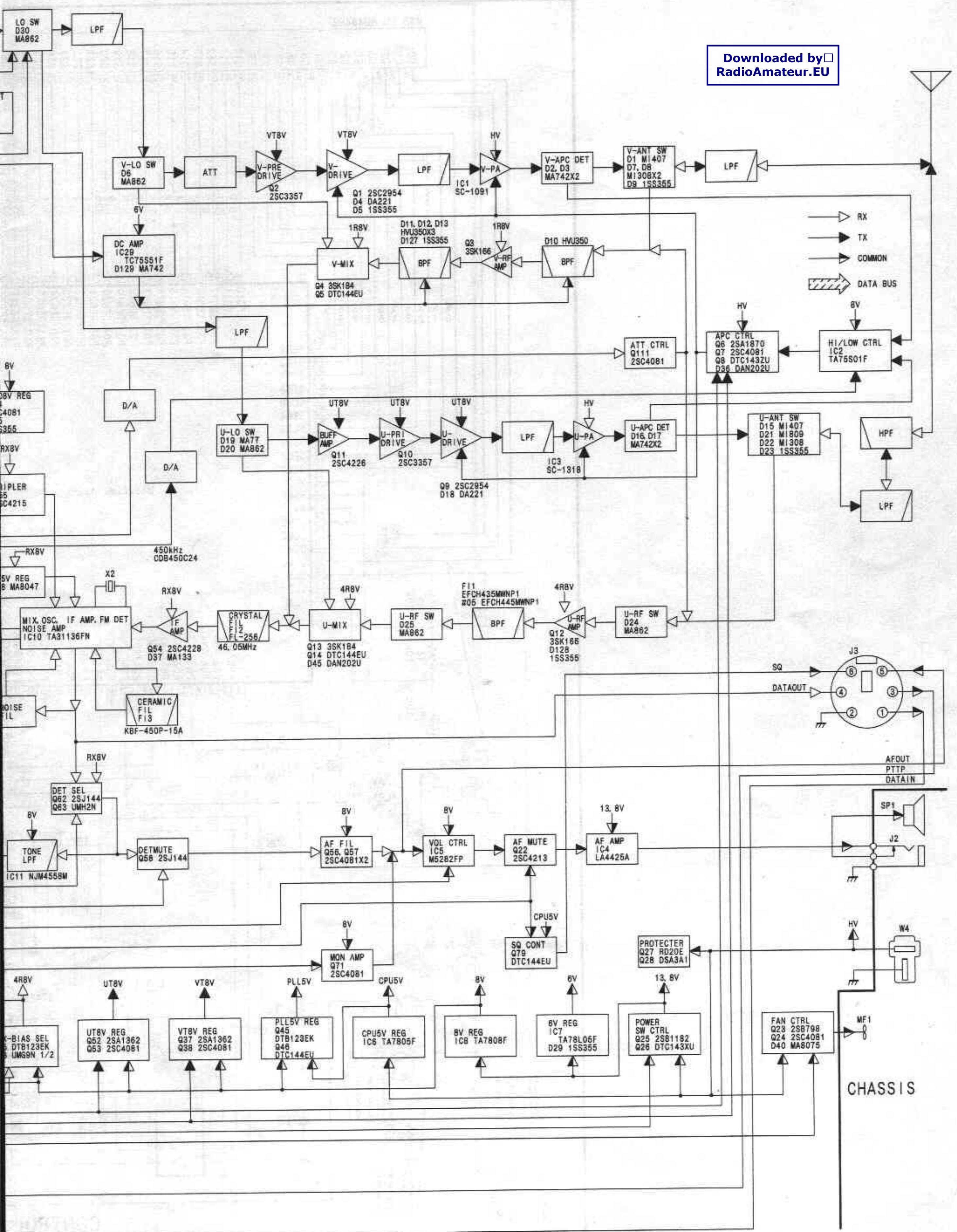


# SECTION 10 BLOCK DIAGRAM

Downloaded by RadioAmateur.EU

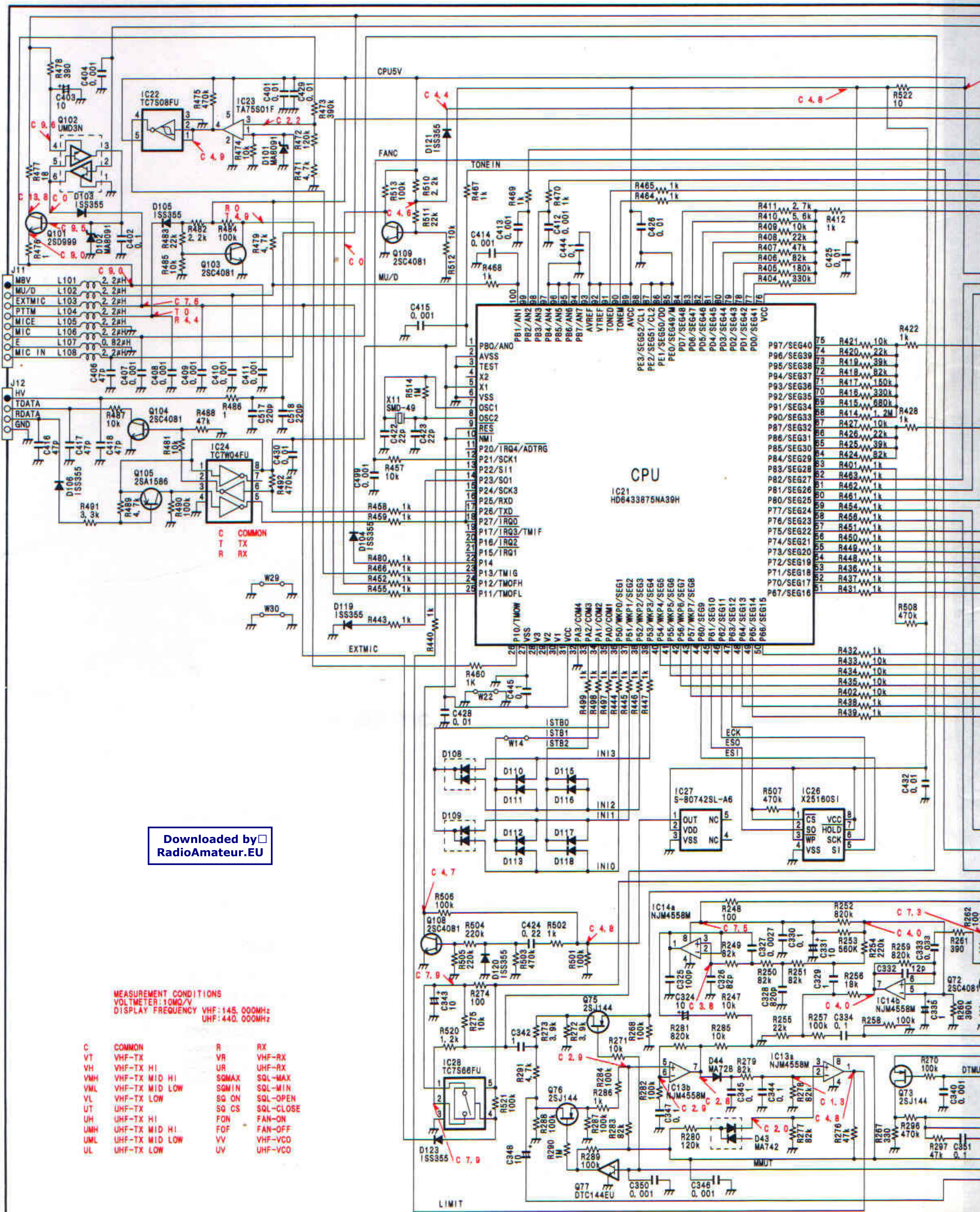




- ▷ RX
- ▶ TX
- COMMON
- ▨ DATA BUS

CHASSIS

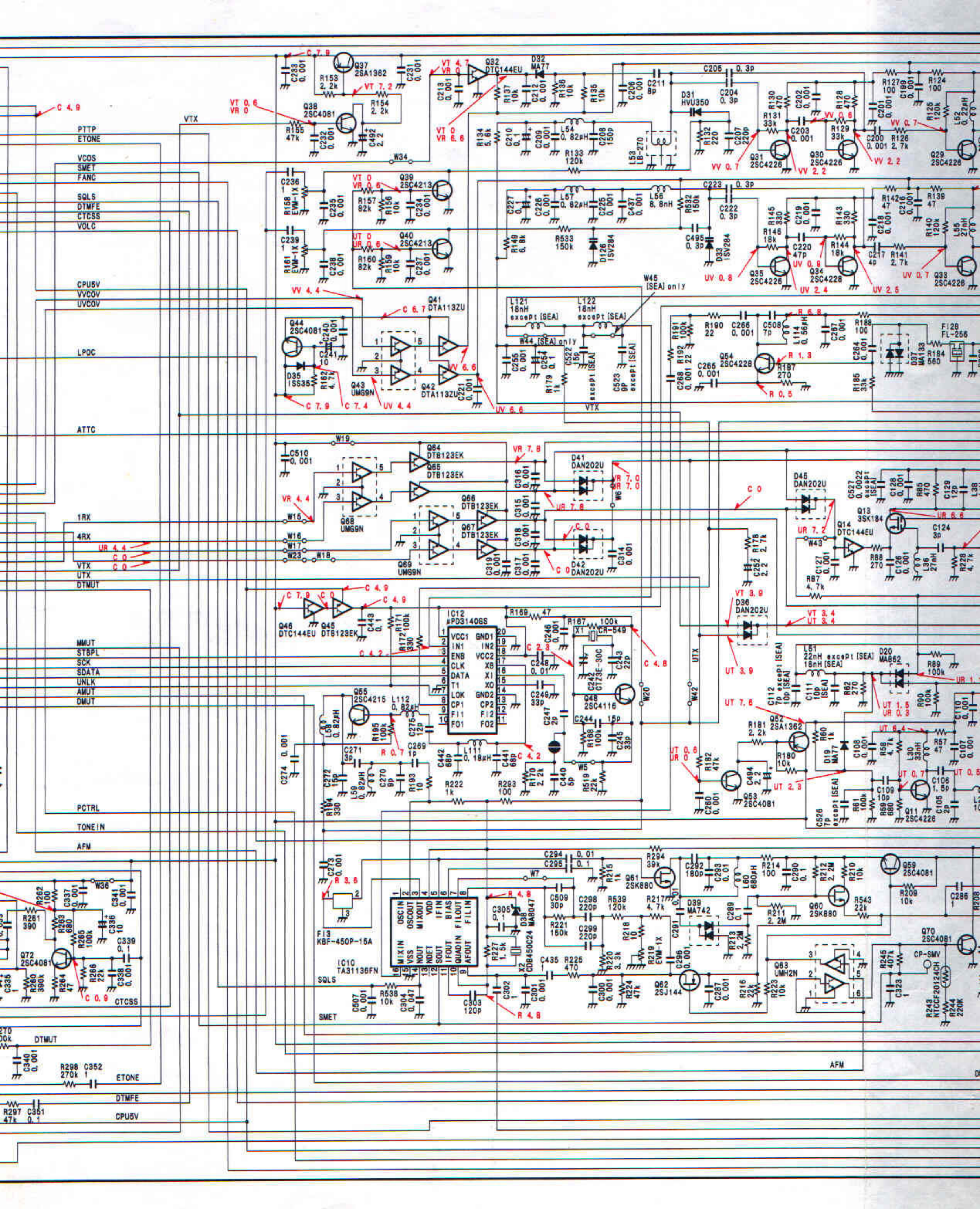
# 11-2 MAIN UNIT

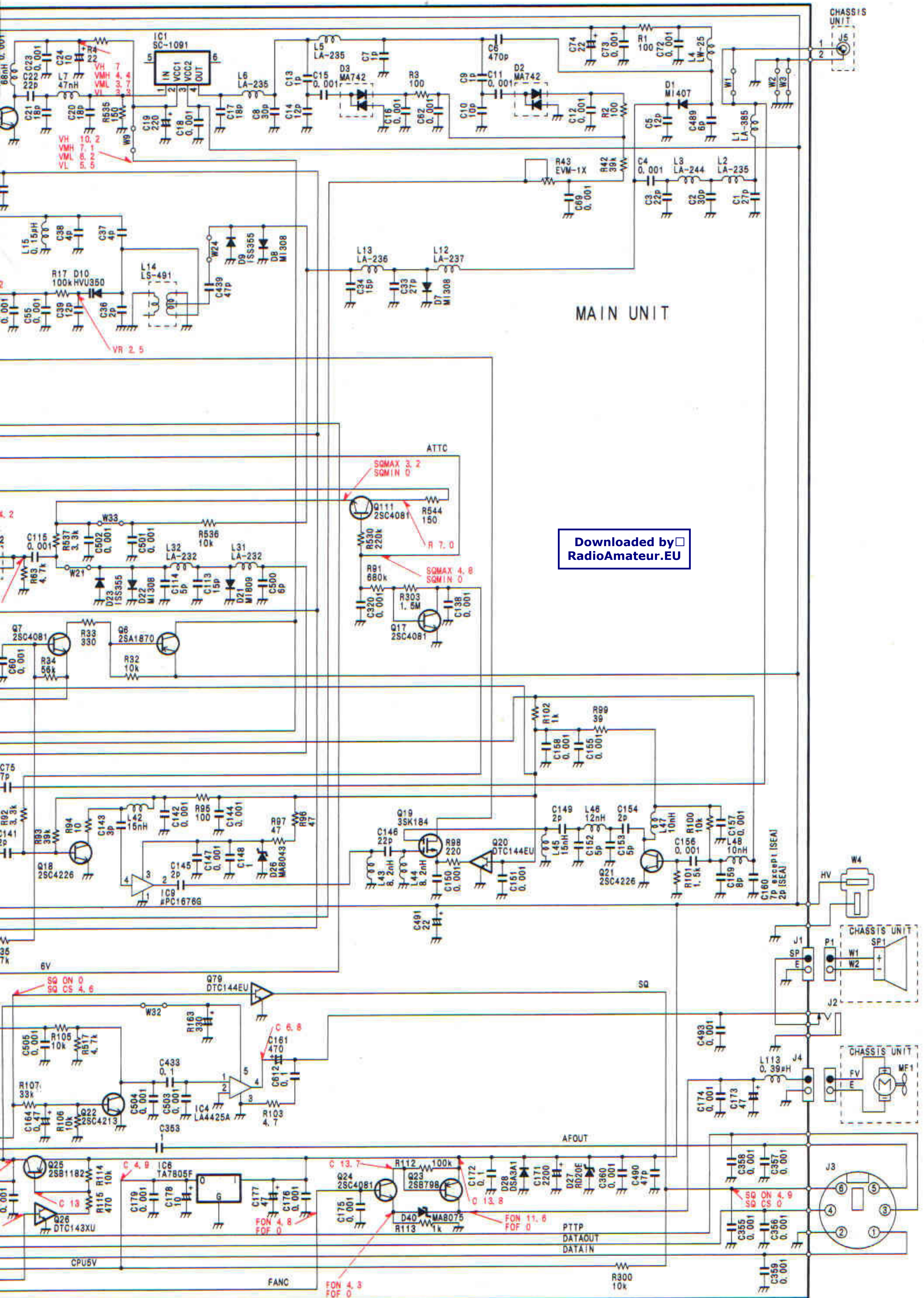


Downloaded by  RadioAmateur.EU

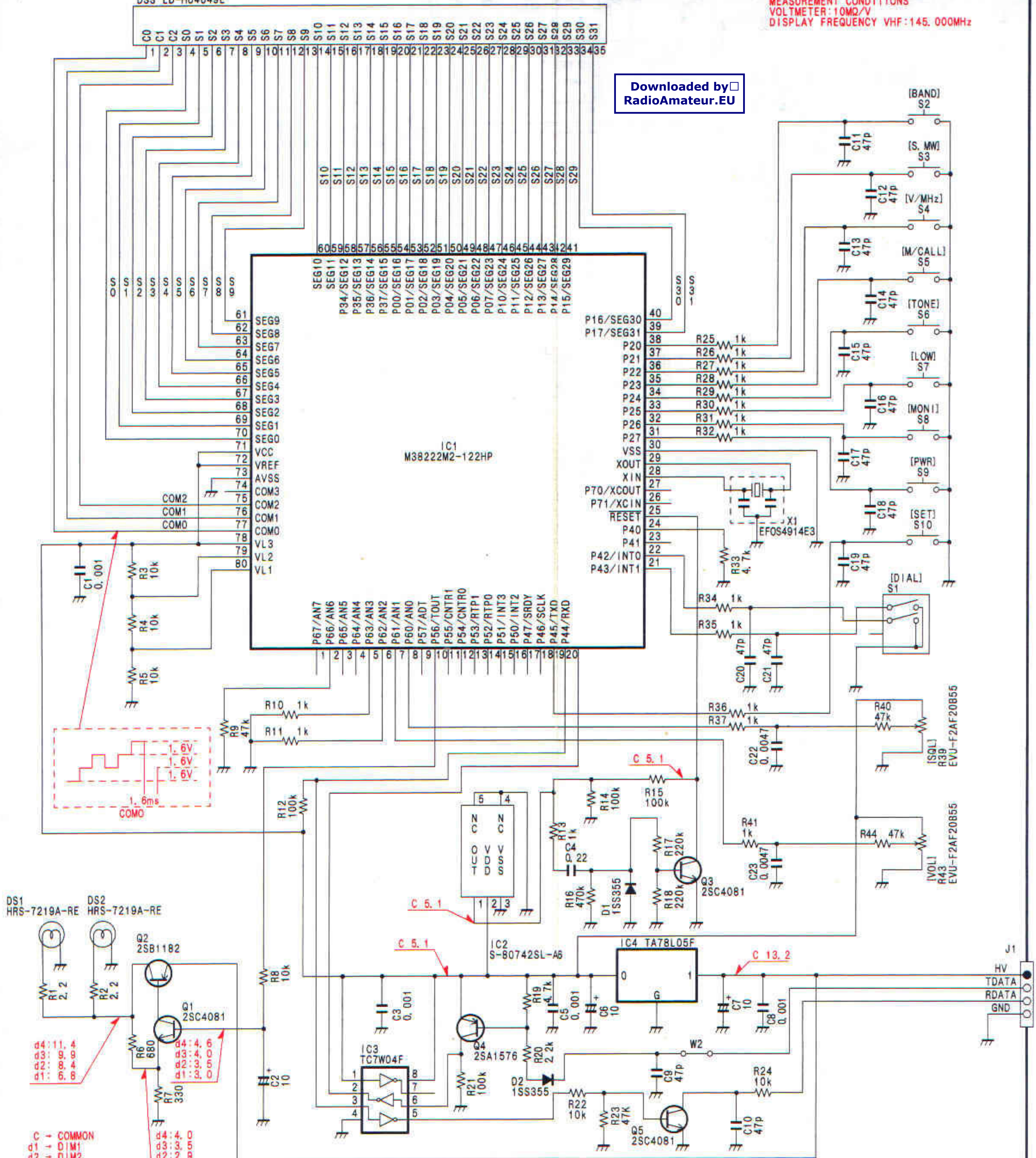
MEASUREMENT CONDITIONS  
 VOLTMETER: 10MΩ/V  
 DISPLAY FREQUENCY VHF: 145.000MHz  
 UHF: 440.000MHz

- |     |                |       |           |
|-----|----------------|-------|-----------|
| C   | COMMON         | R     | RX        |
| VT  | VHF-TX         | VR    | VHF-RX    |
| VH  | VHF-TX HI      | UR    | UHF-RX    |
| VMH | VHF-TX MID HI  | SQMAX | SQL-MAX   |
| VML | VHF-TX MID LOW | SQMIN | SQL-MIN   |
| VL  | VHF-TX LOW     | SQ ON | SQL-OPEN  |
| UT  | UHF-TX         | SQ CS | SQL-CLOSE |
| UH  | UHF-TX HI      | FON   | FAN-ON    |
| UMH | UHF-TX MID HI  | FOF   | FAN-OFF   |
| UML | UHF-TX MID LOW | VV    | VHF-VCO   |
| UL  | UHF-TX LOW     | UV    | UHF-VCO   |





Downloaded by  RadioAmateur.EU



CONTROL UNIT

