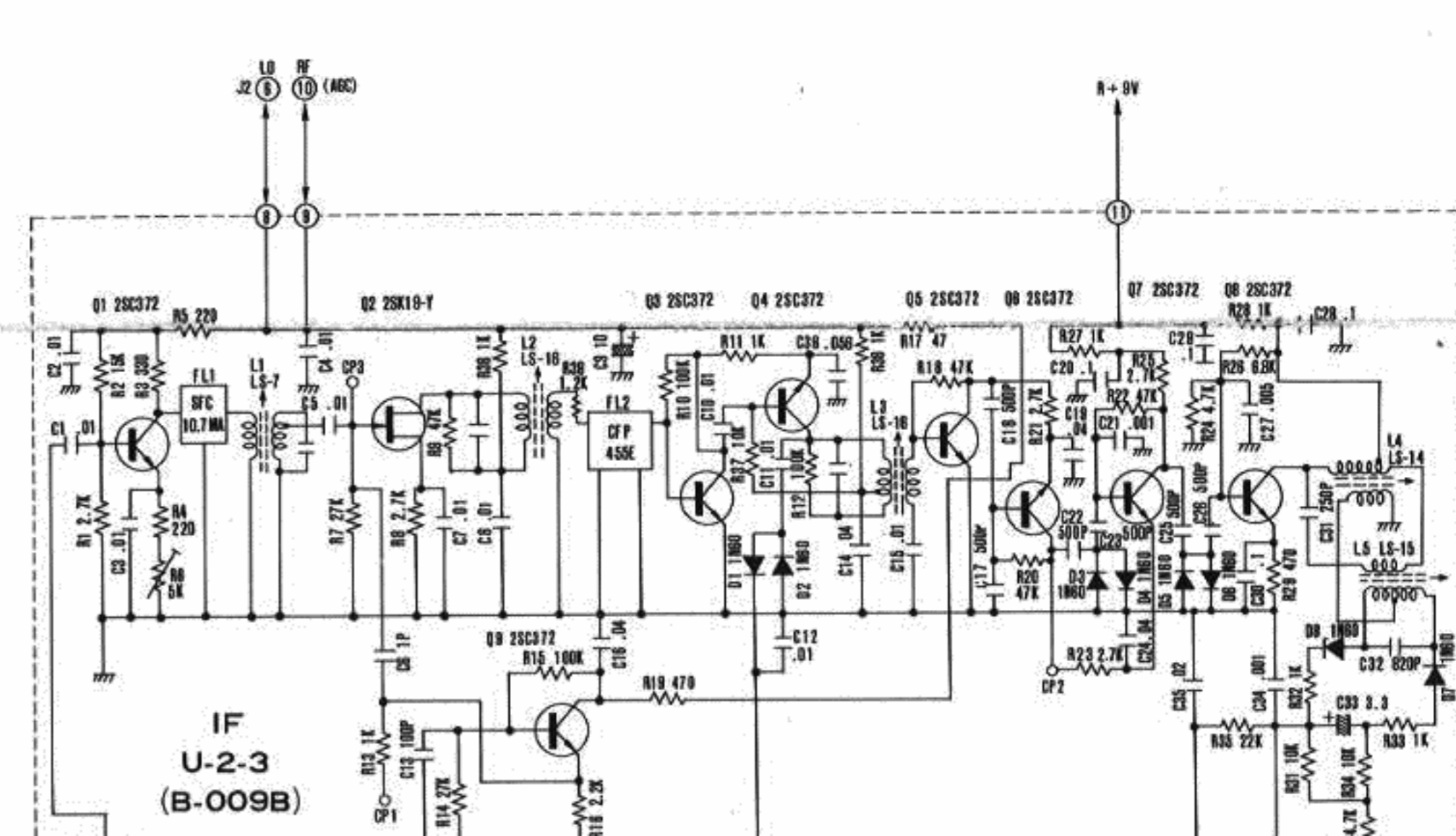
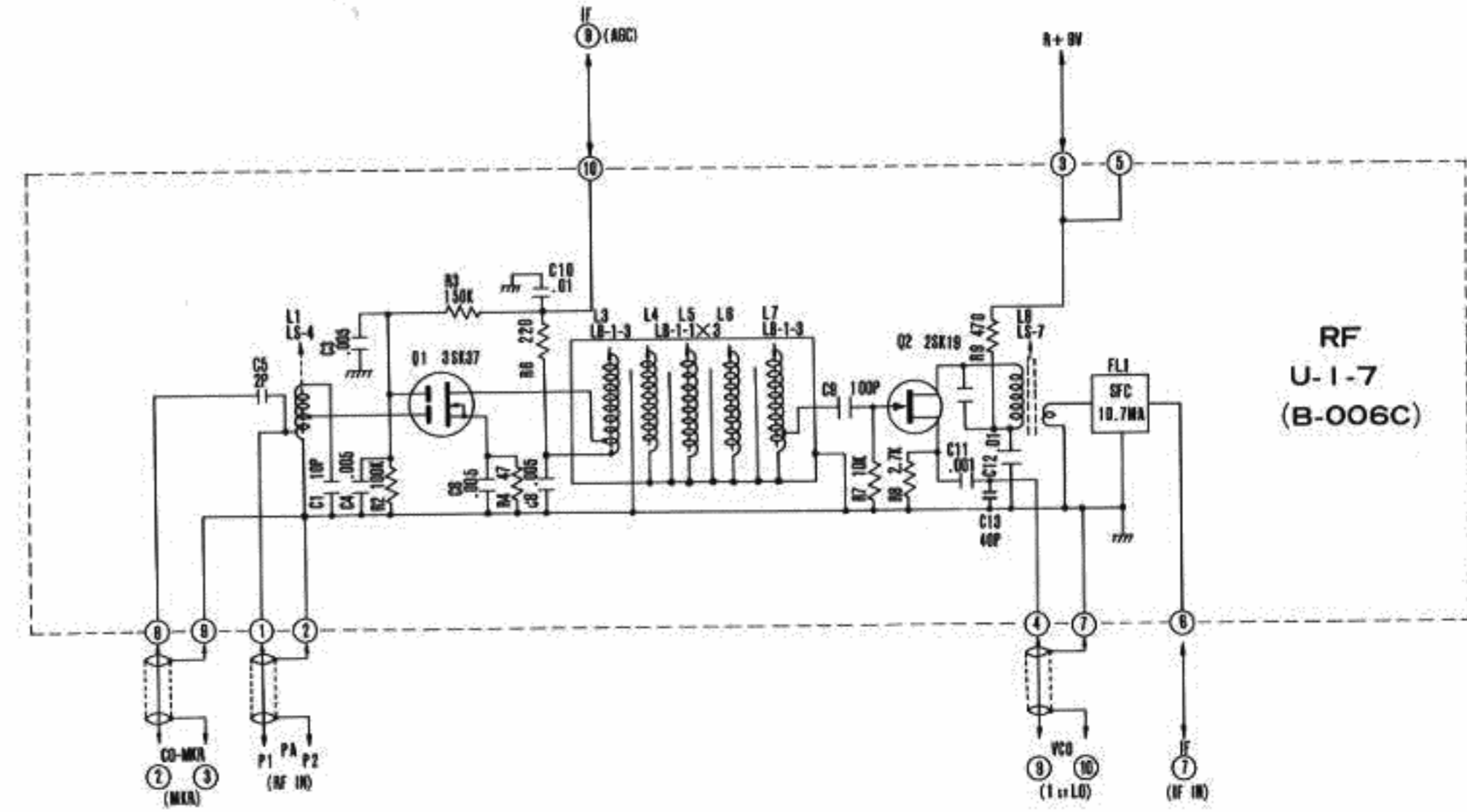
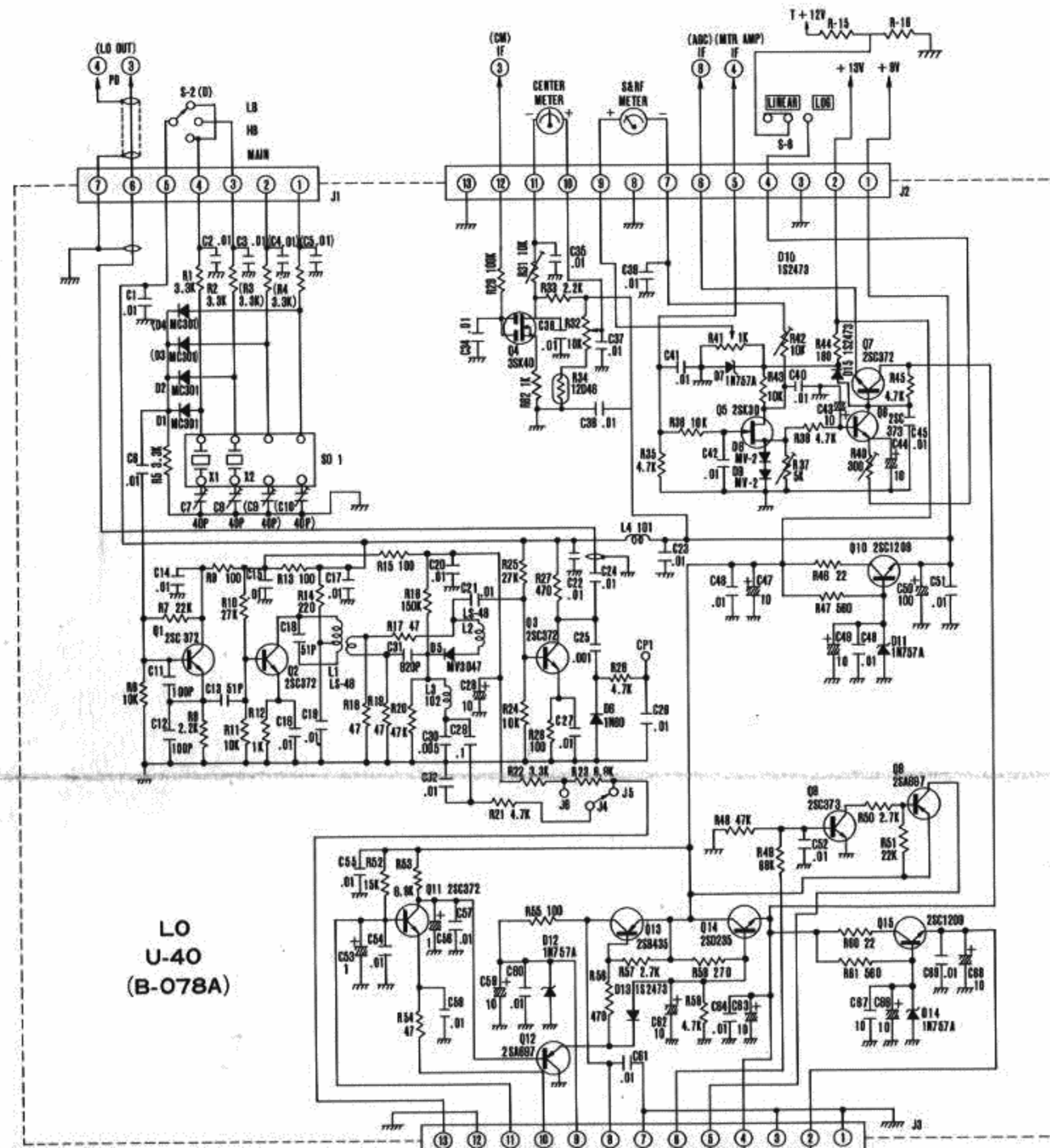
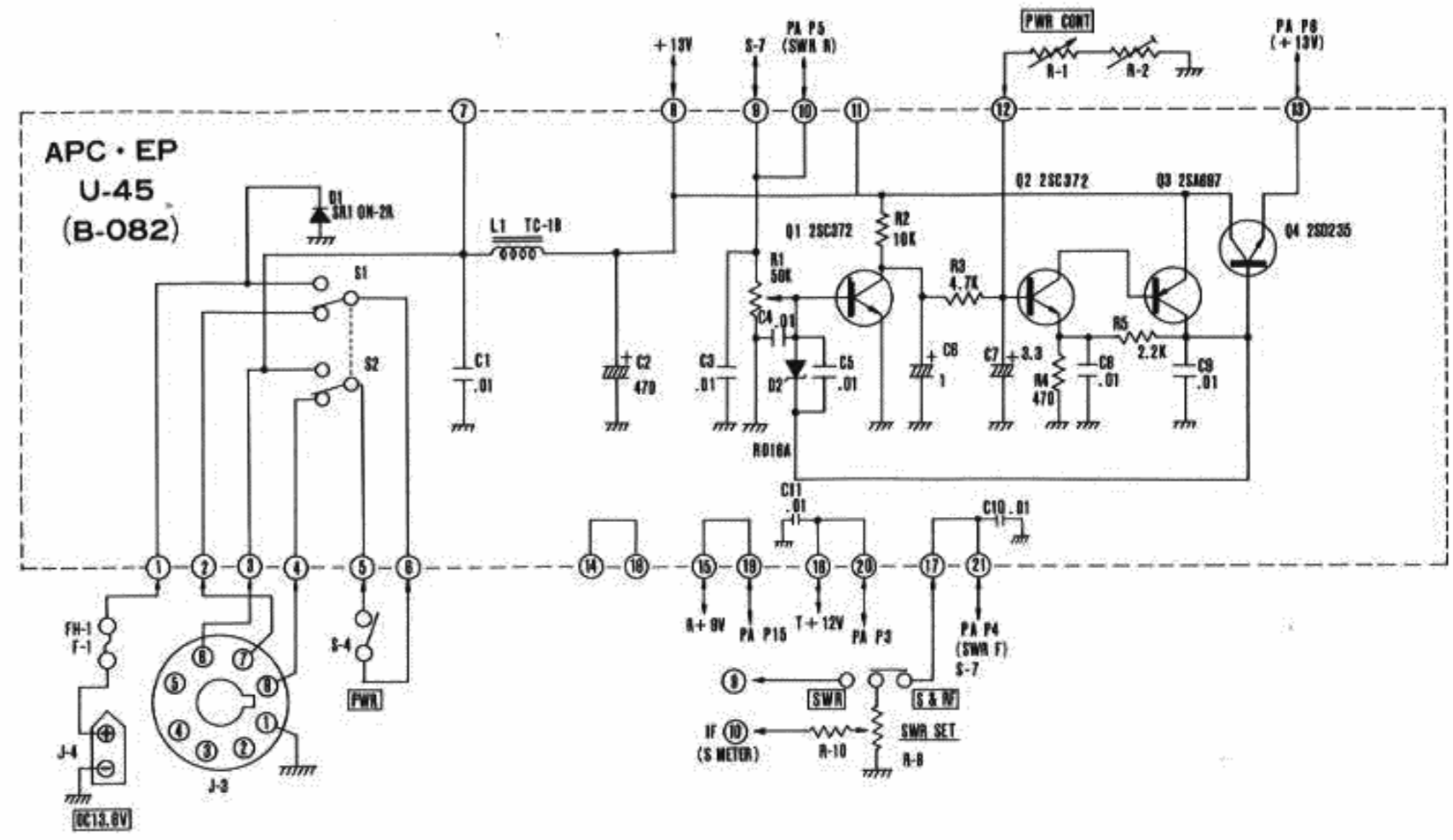
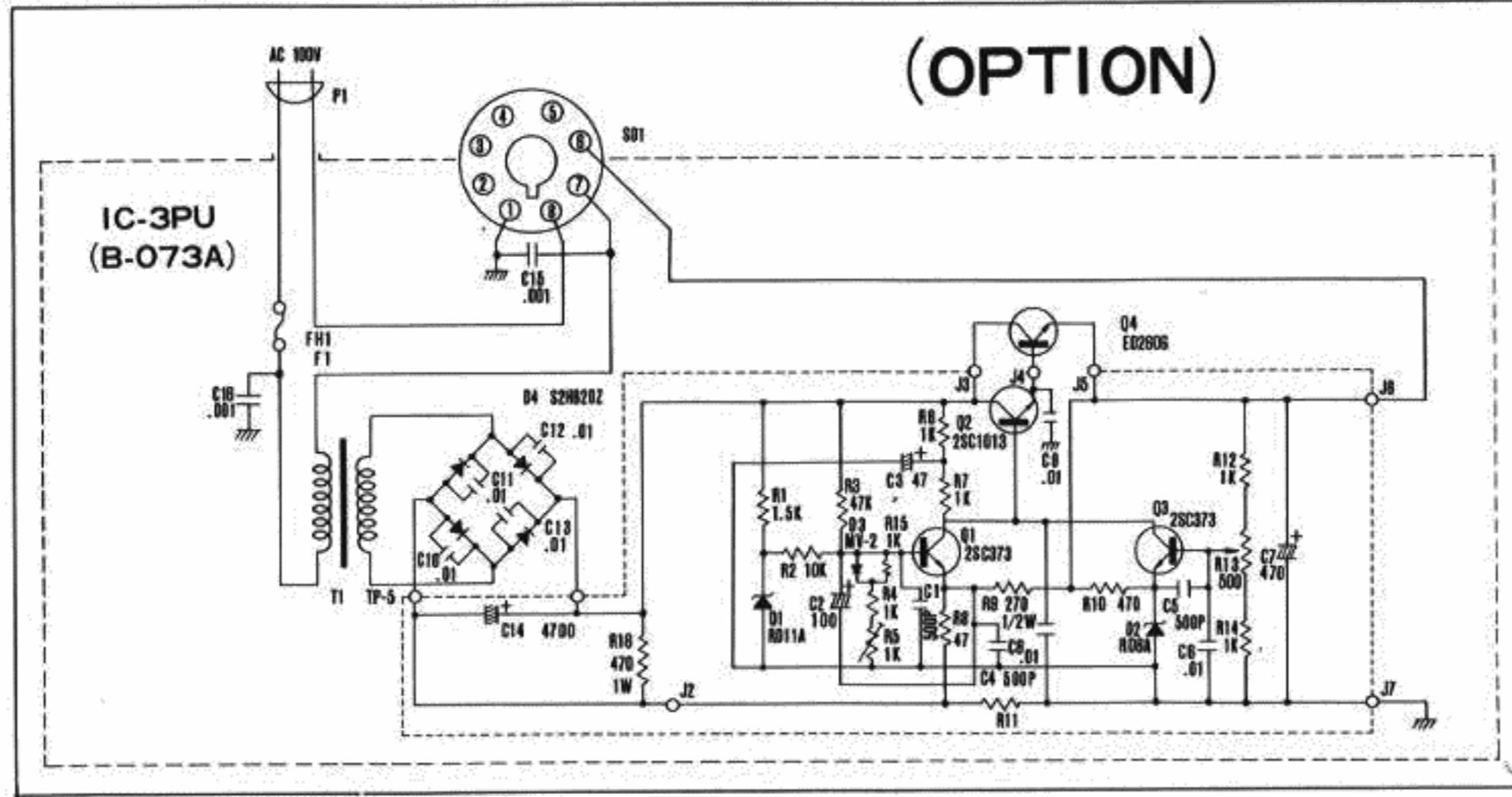
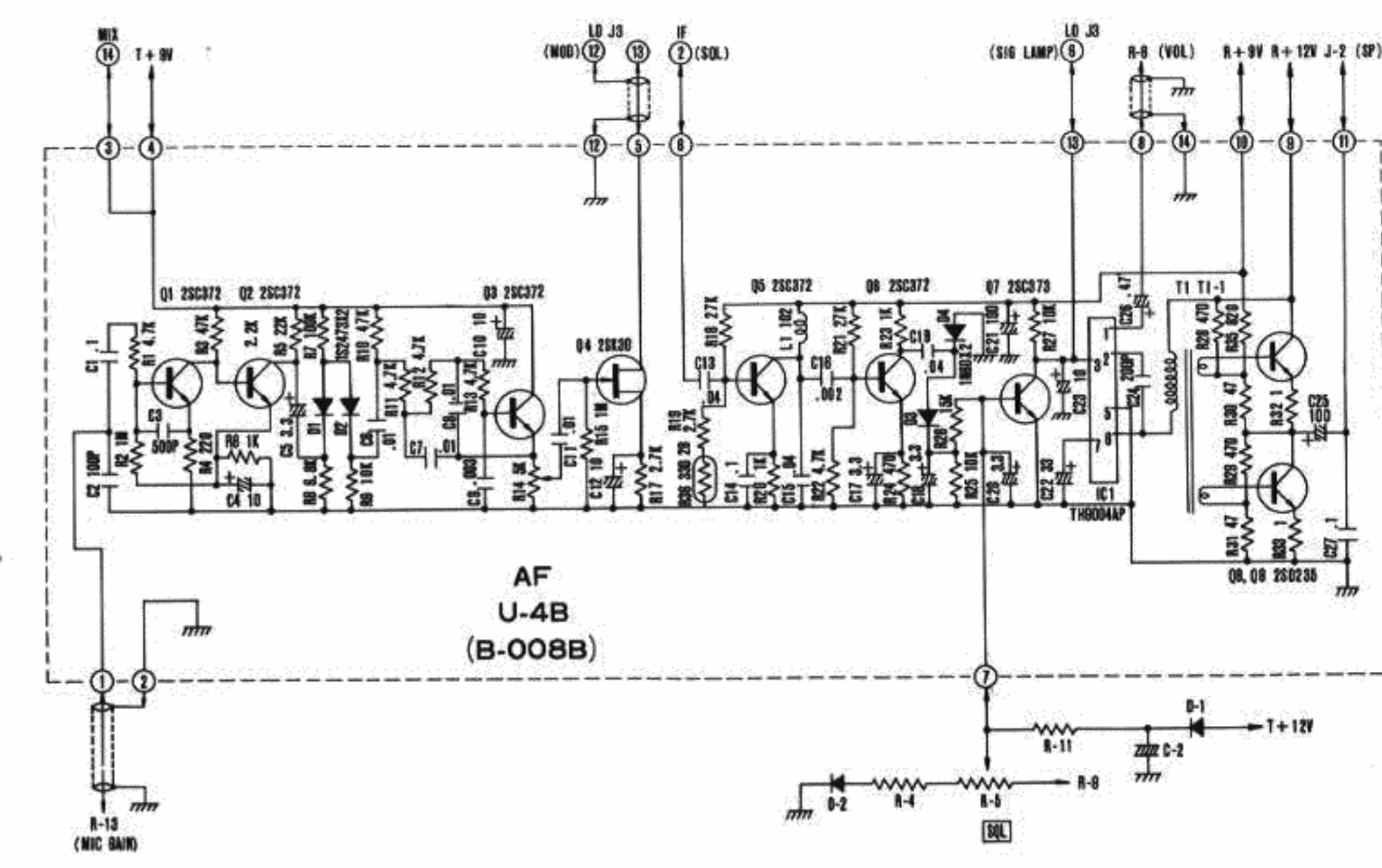
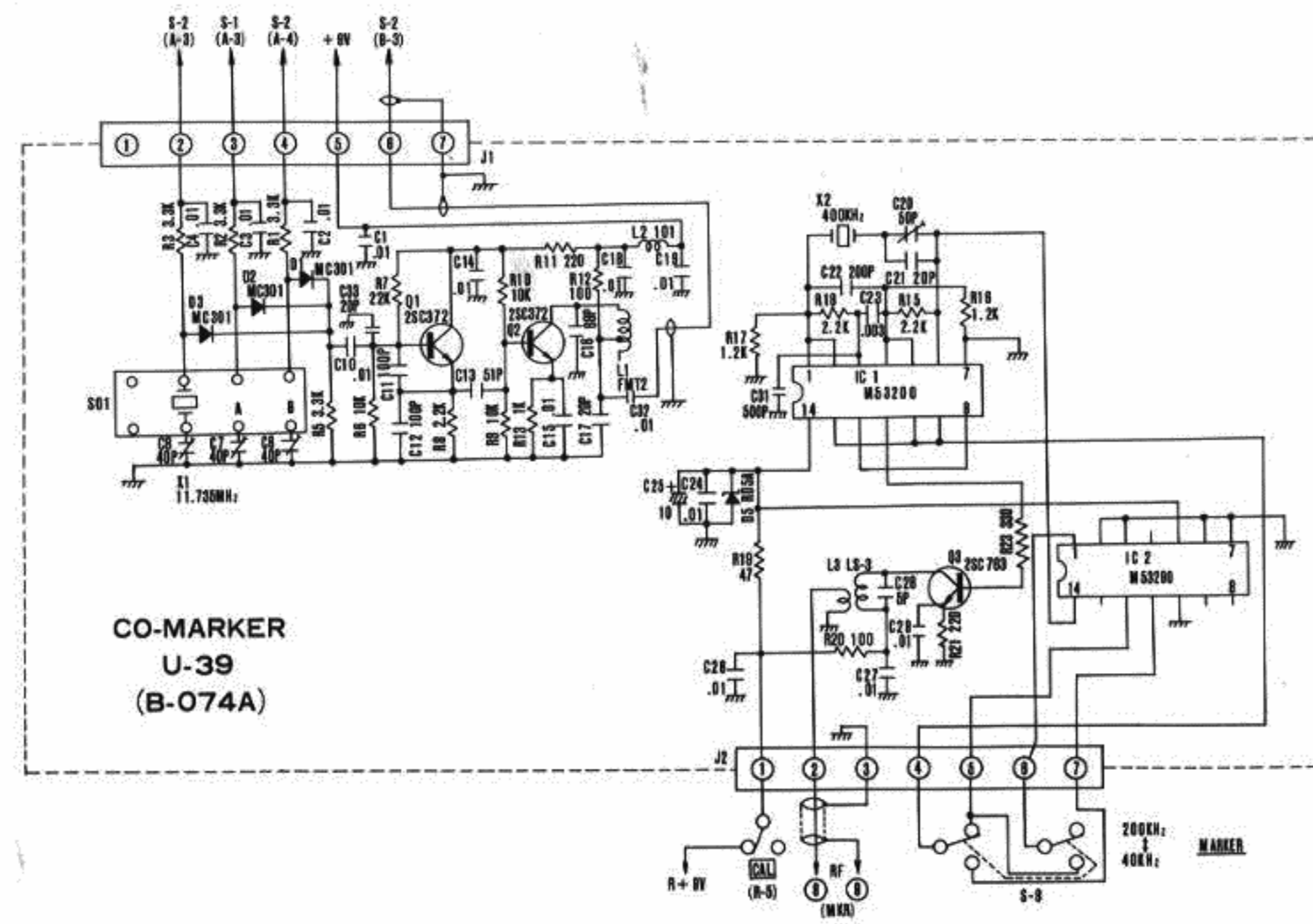
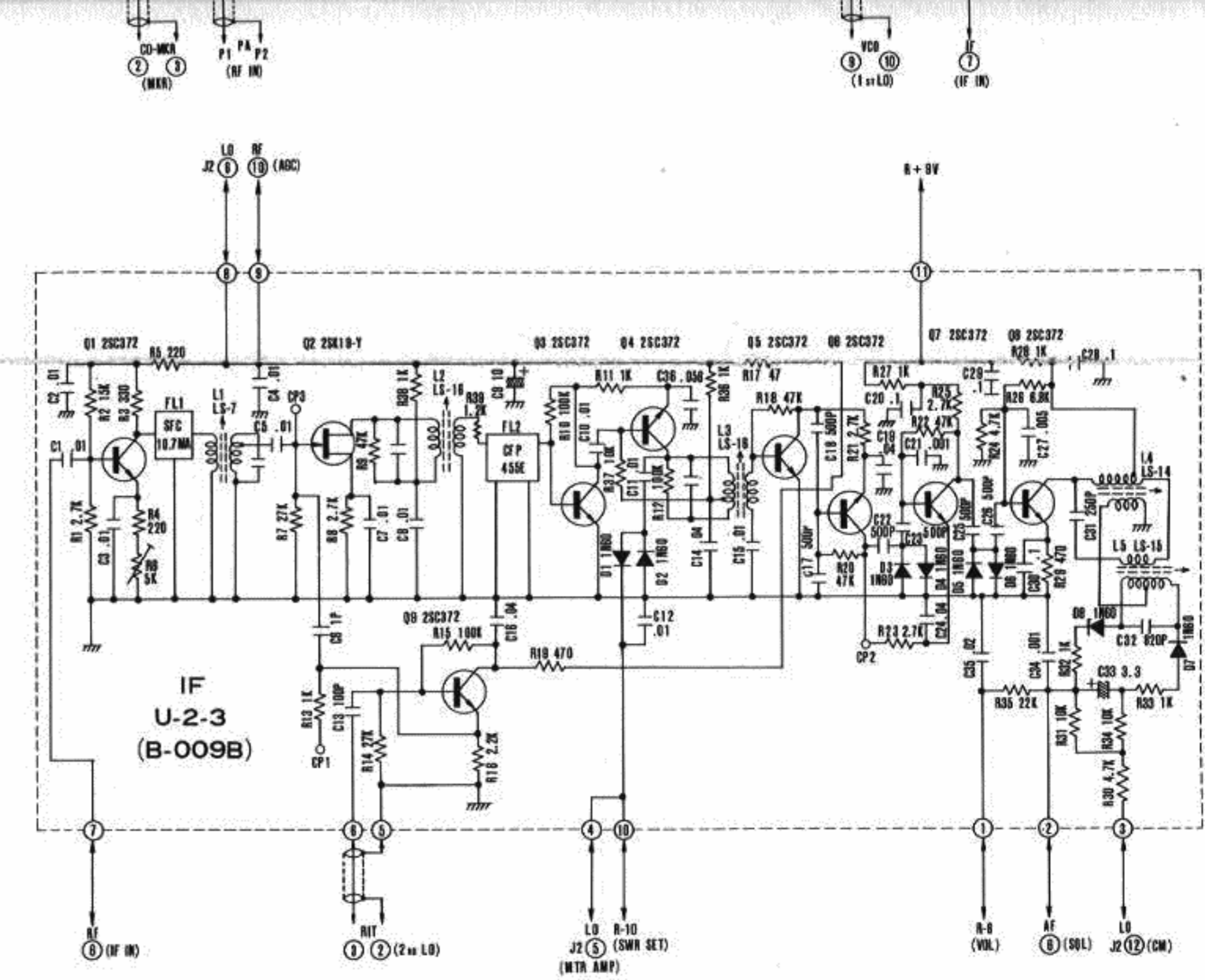
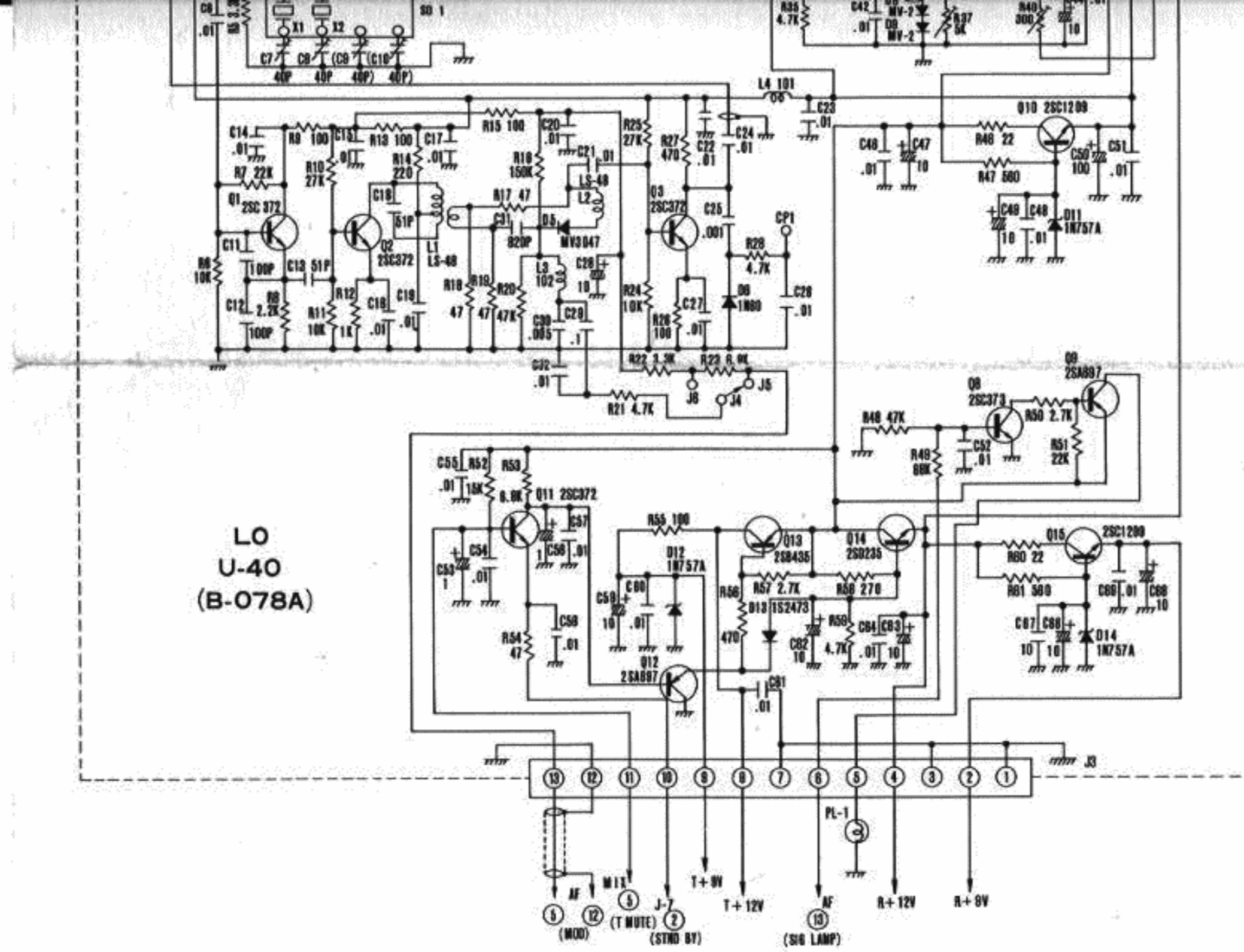
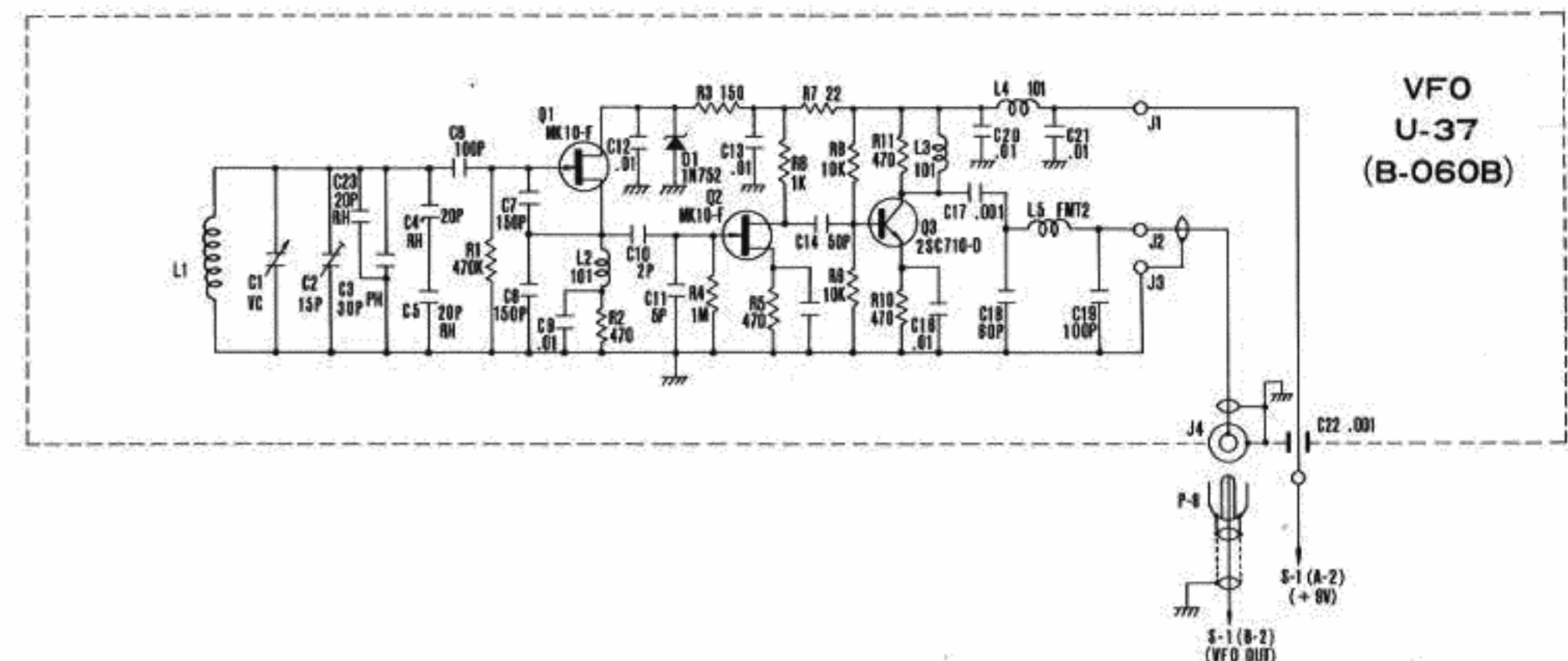
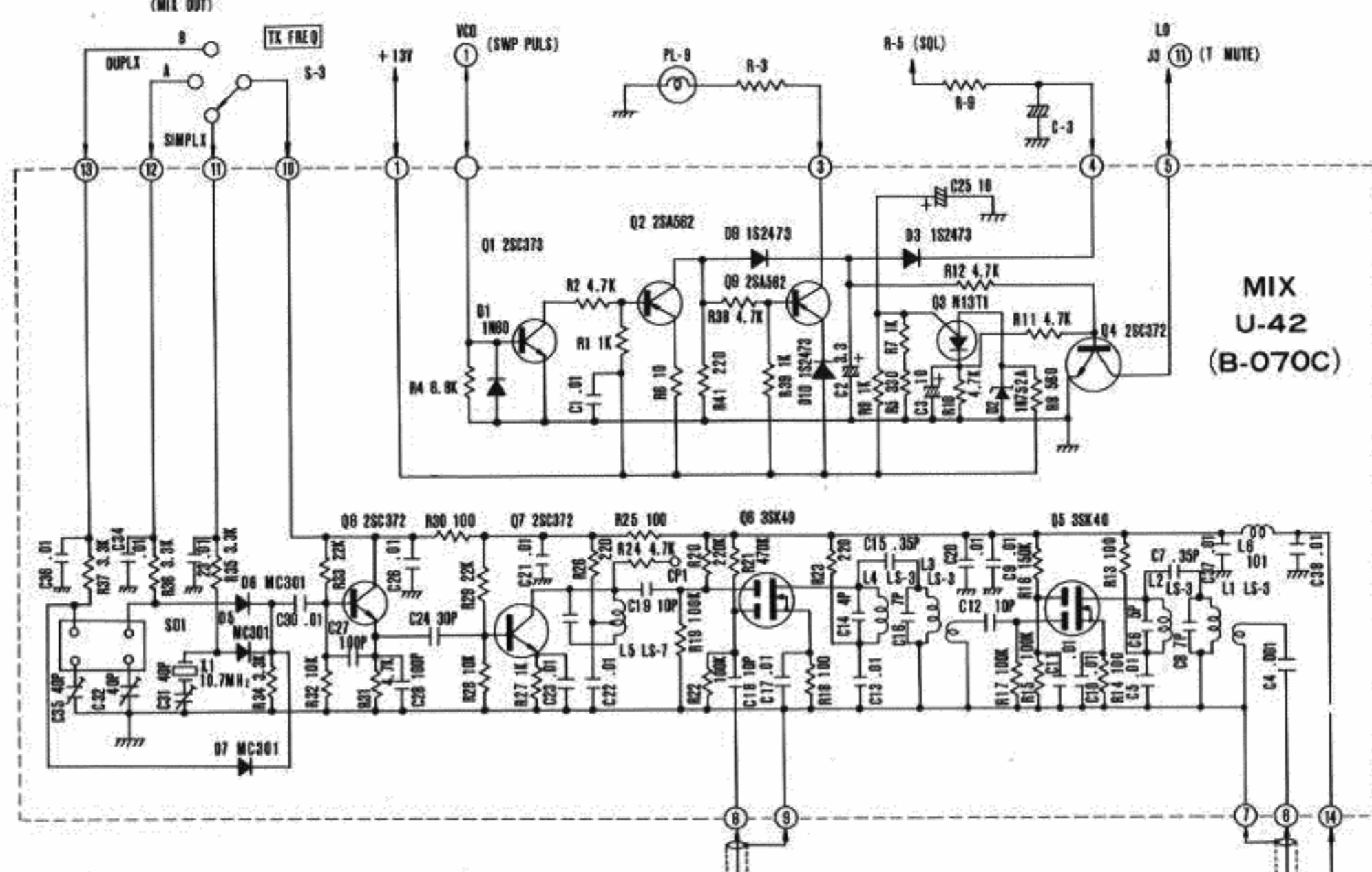
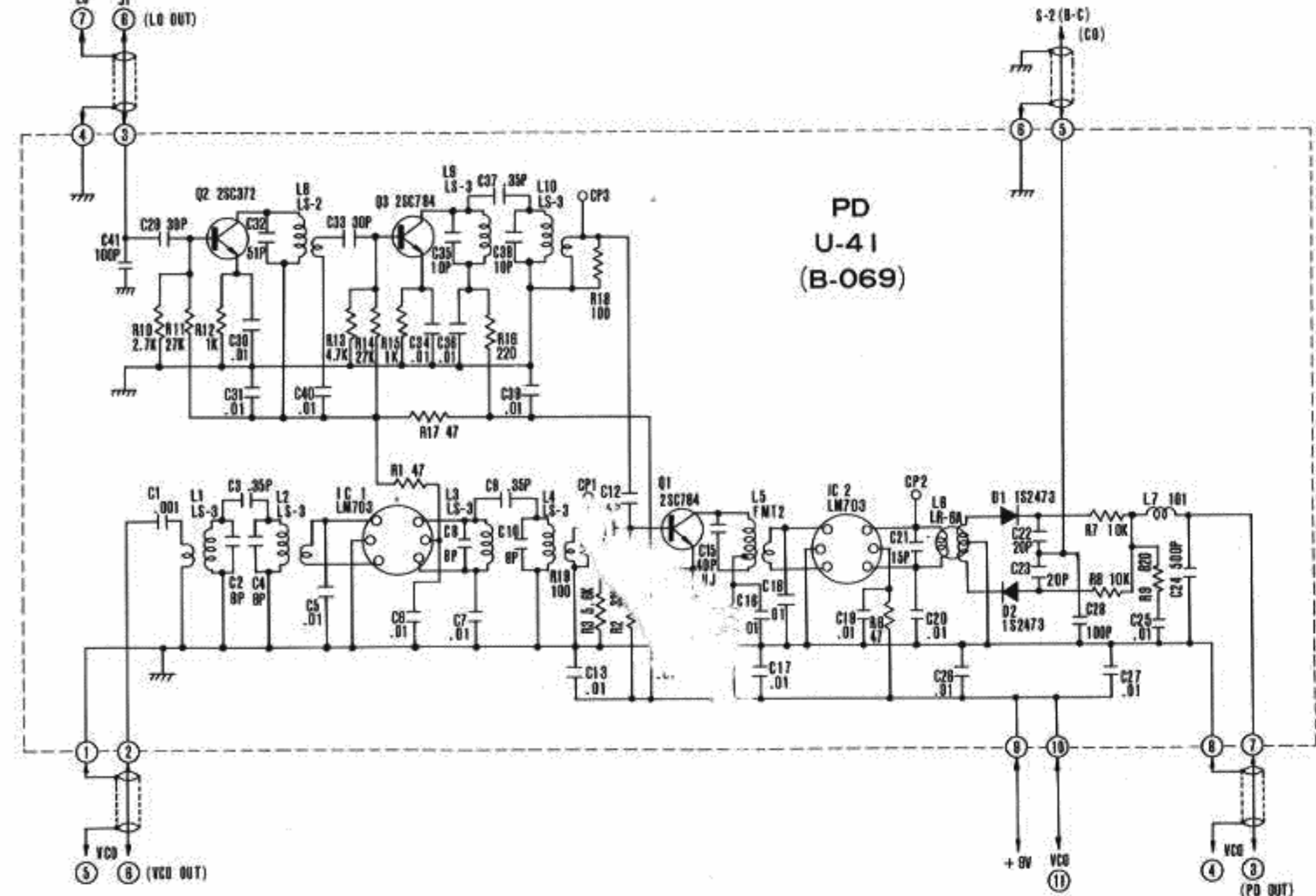
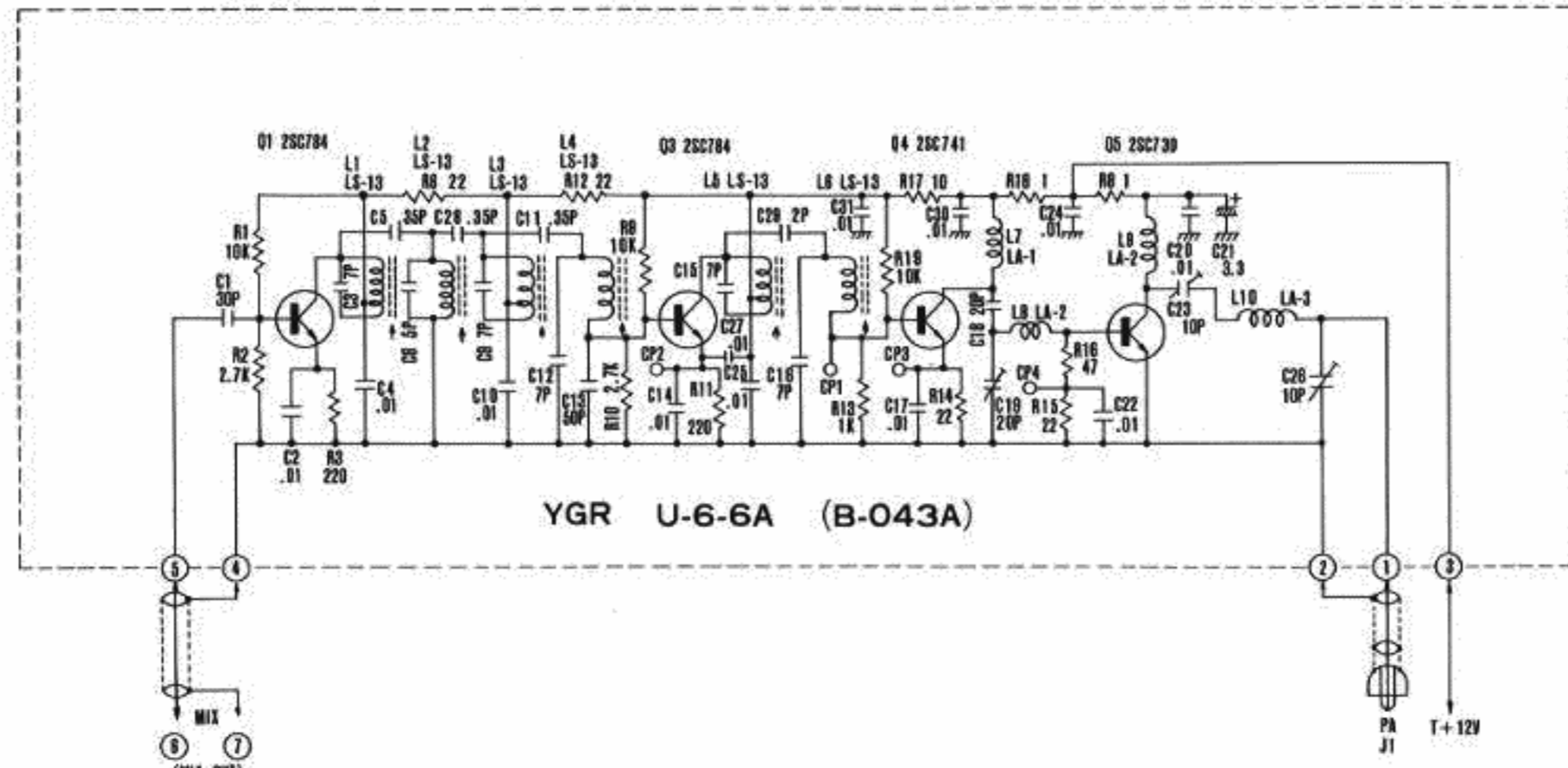
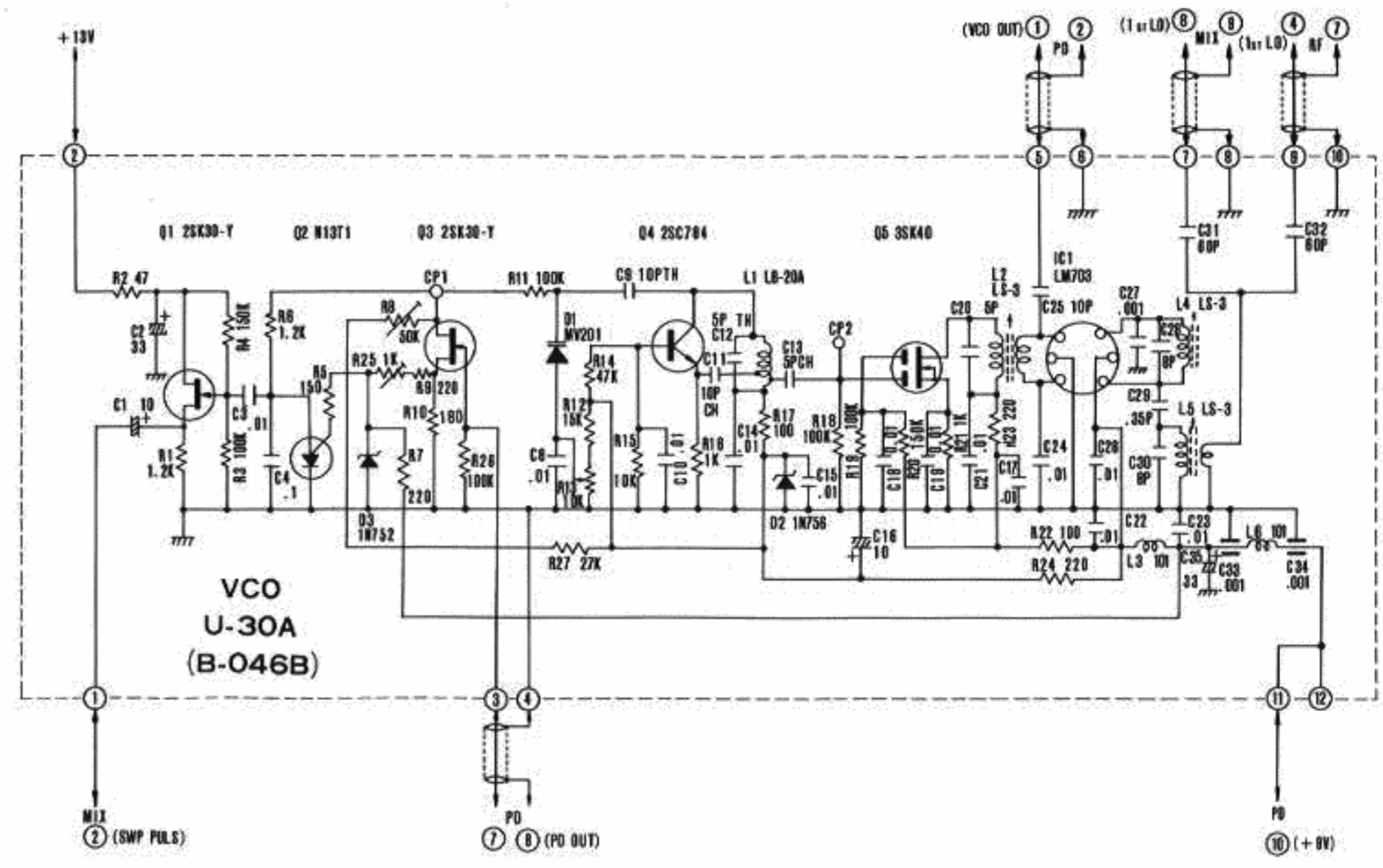
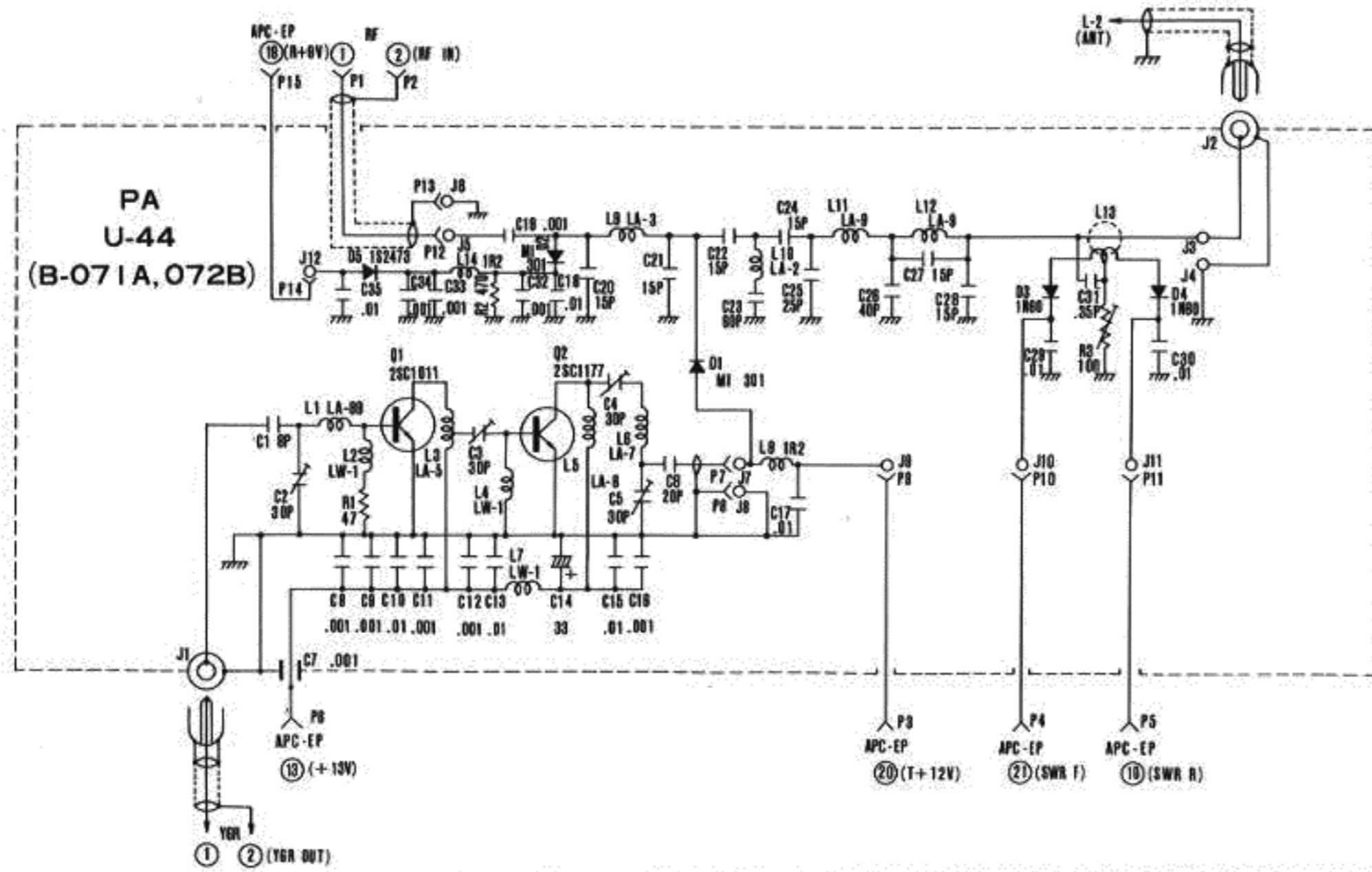


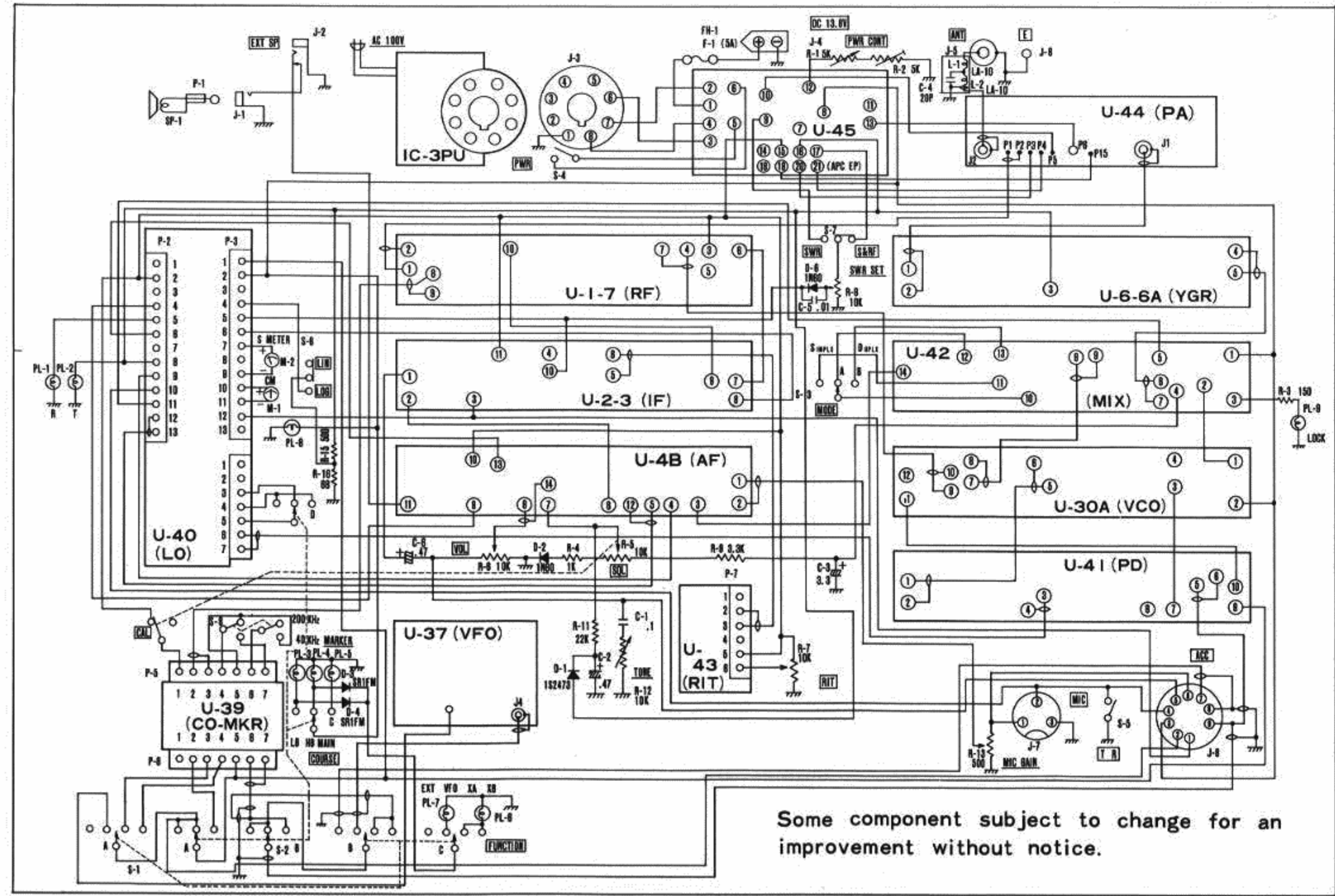
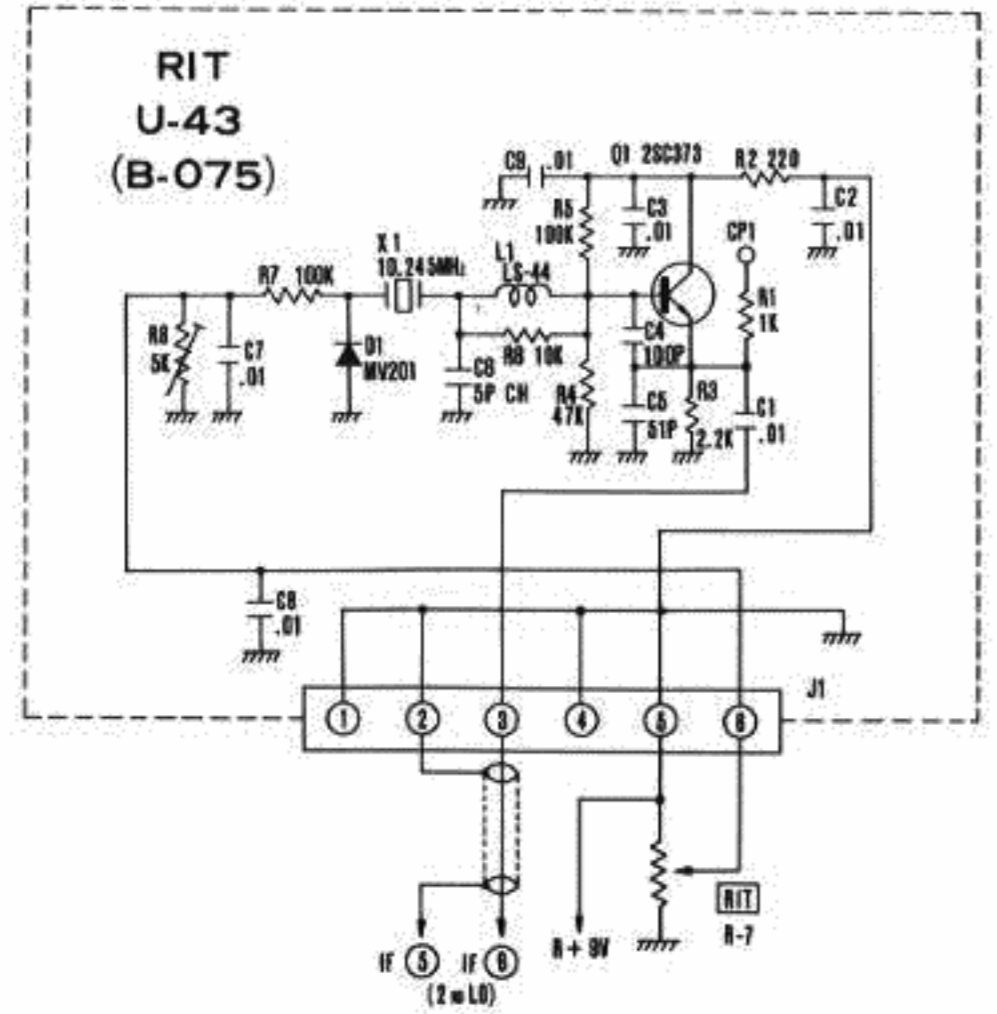
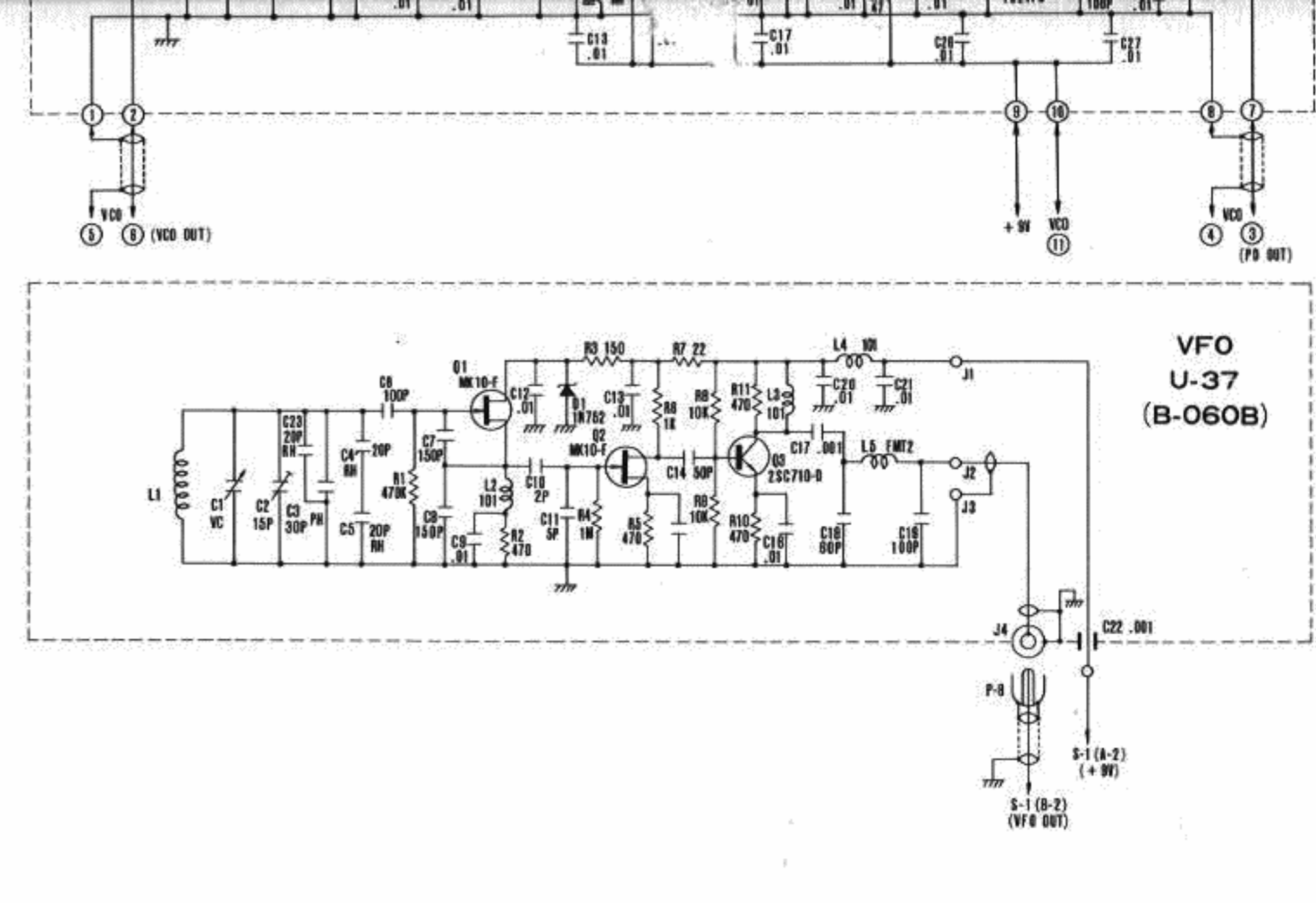
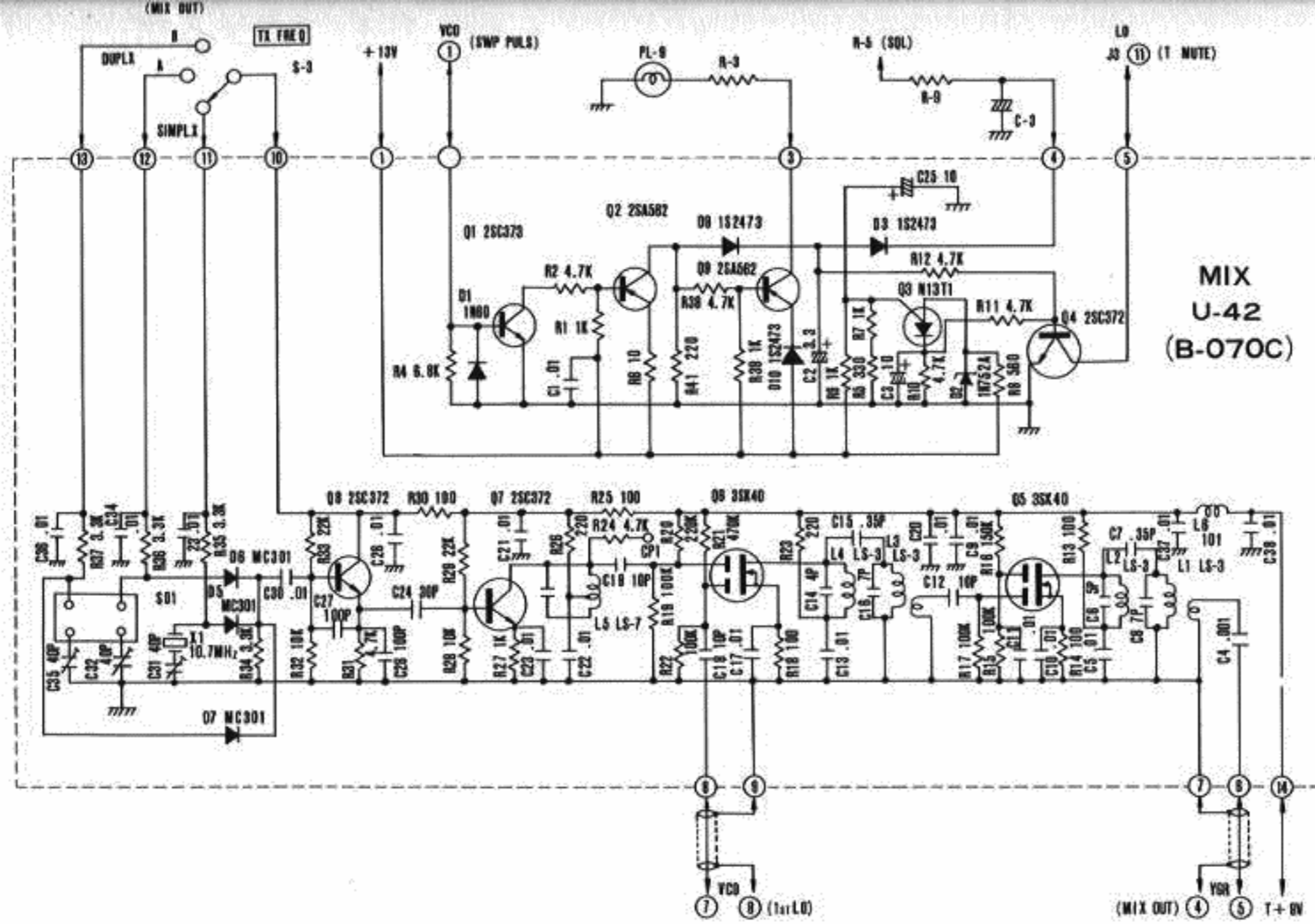
# IC-210 配線図

(OPTION)









Some component subject to change for an improvement without notice.