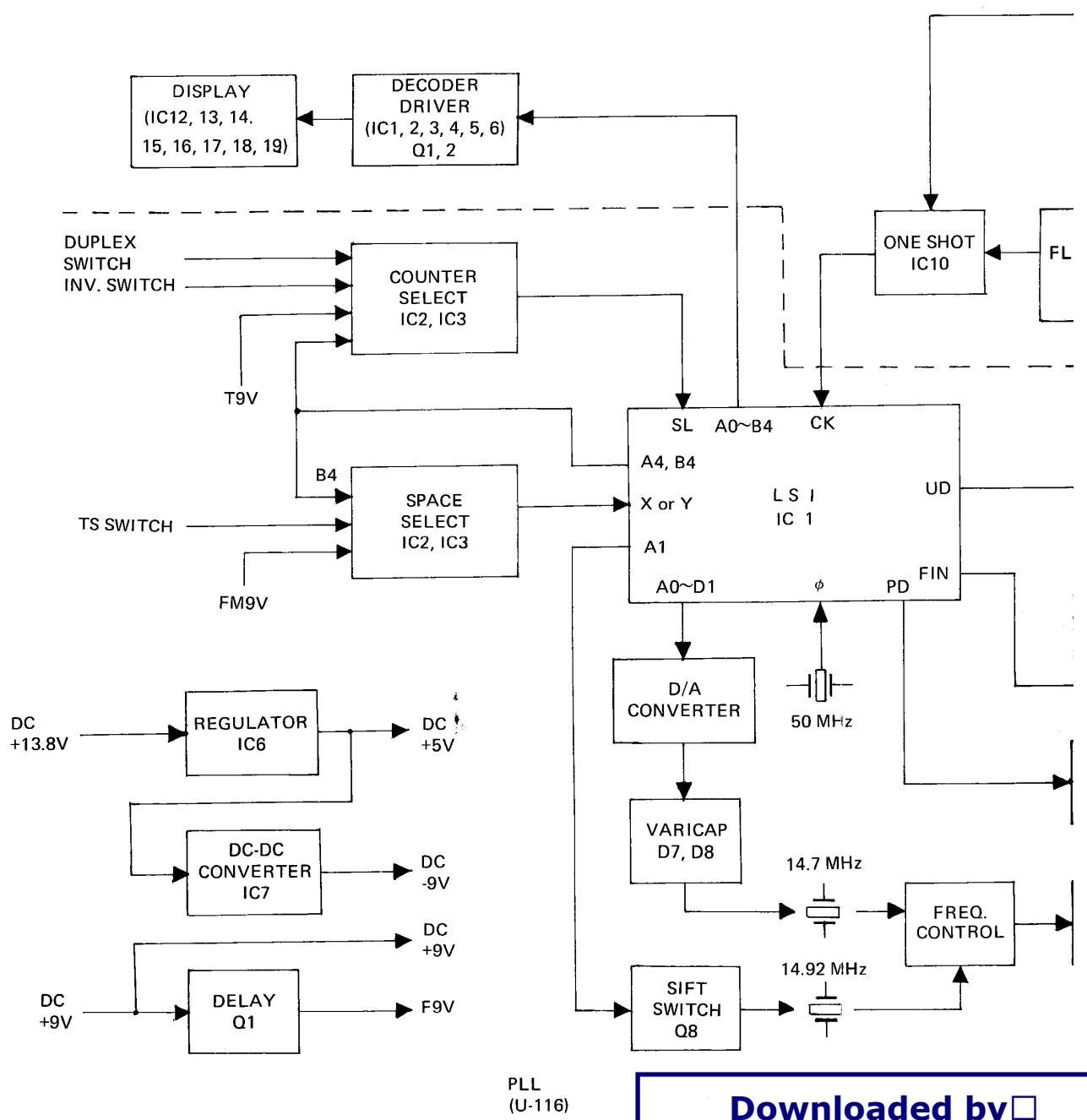


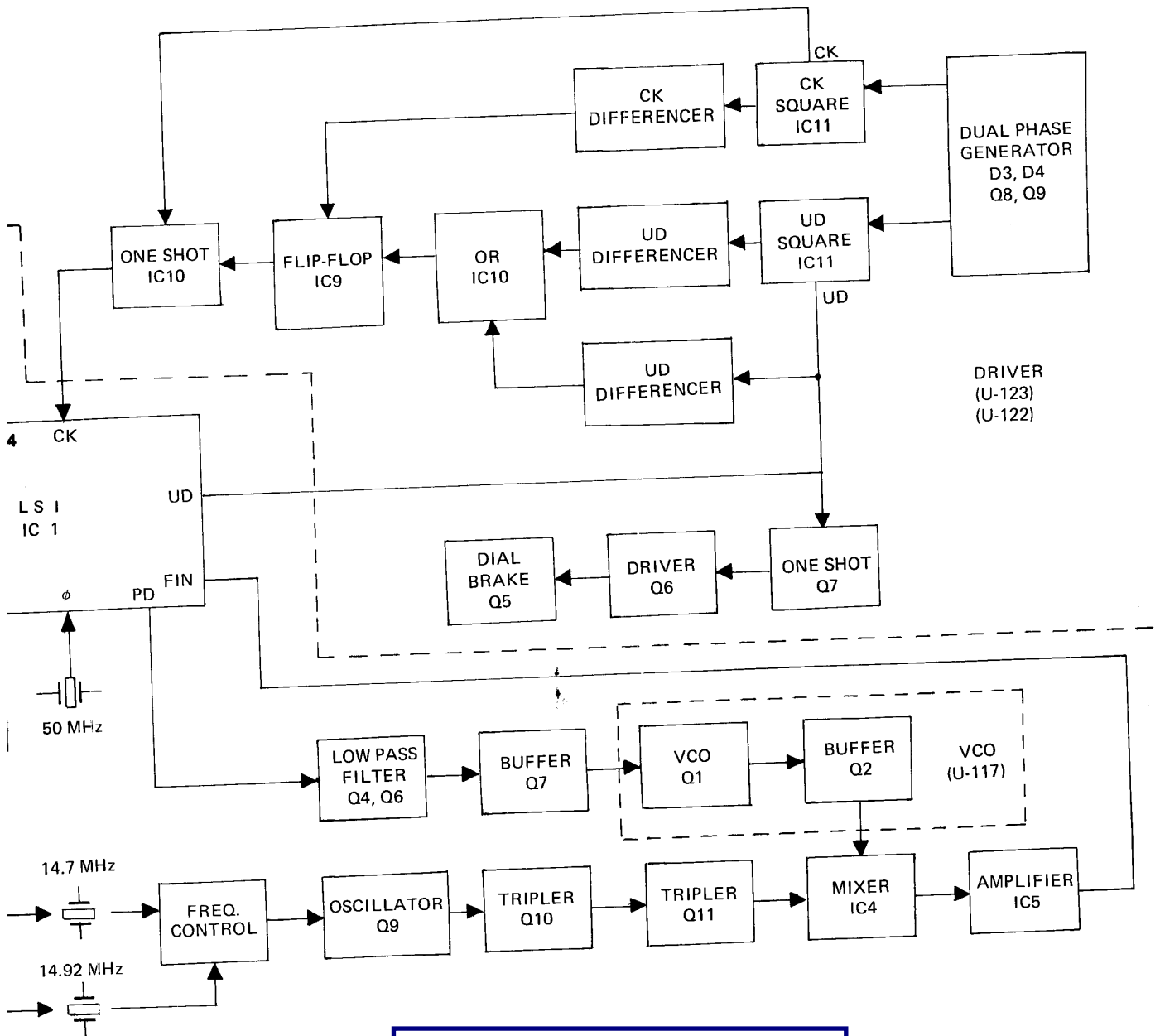
SECTION X BLOCK DIAGRAM



PLL (U-116)

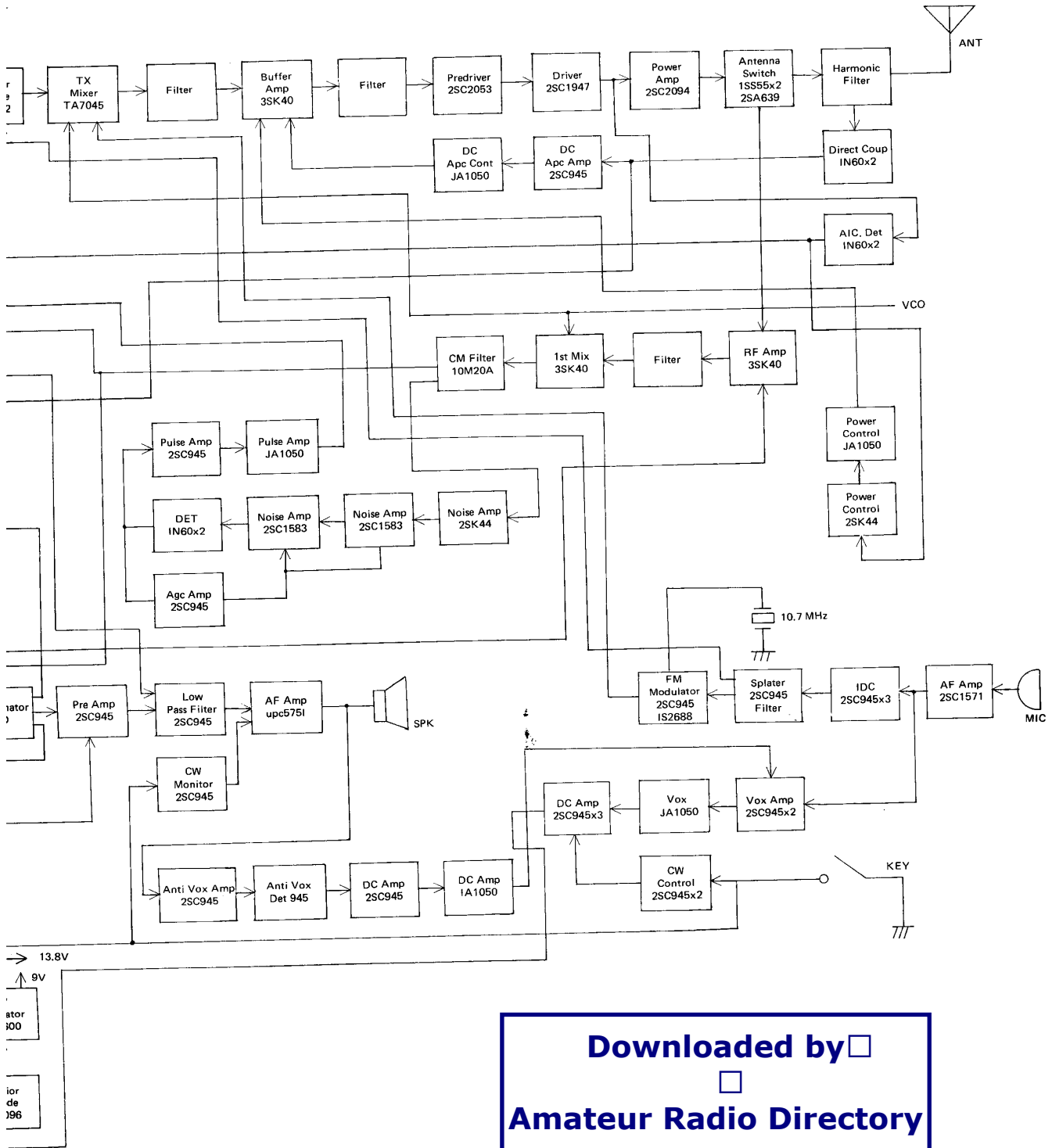
Downloaded by

Amateur Radio Directory



Downloaded by

 Amateur Radio Directory

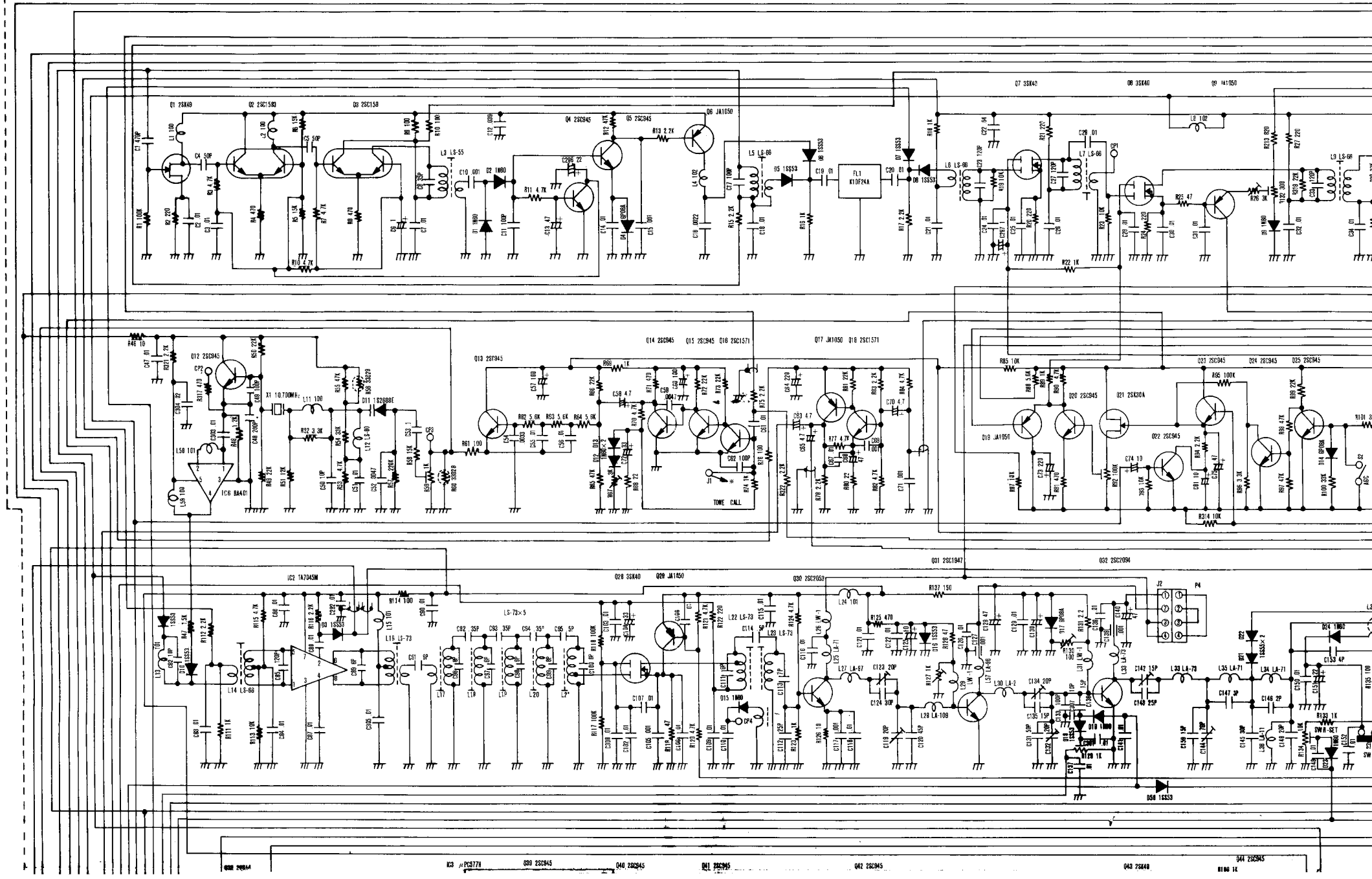


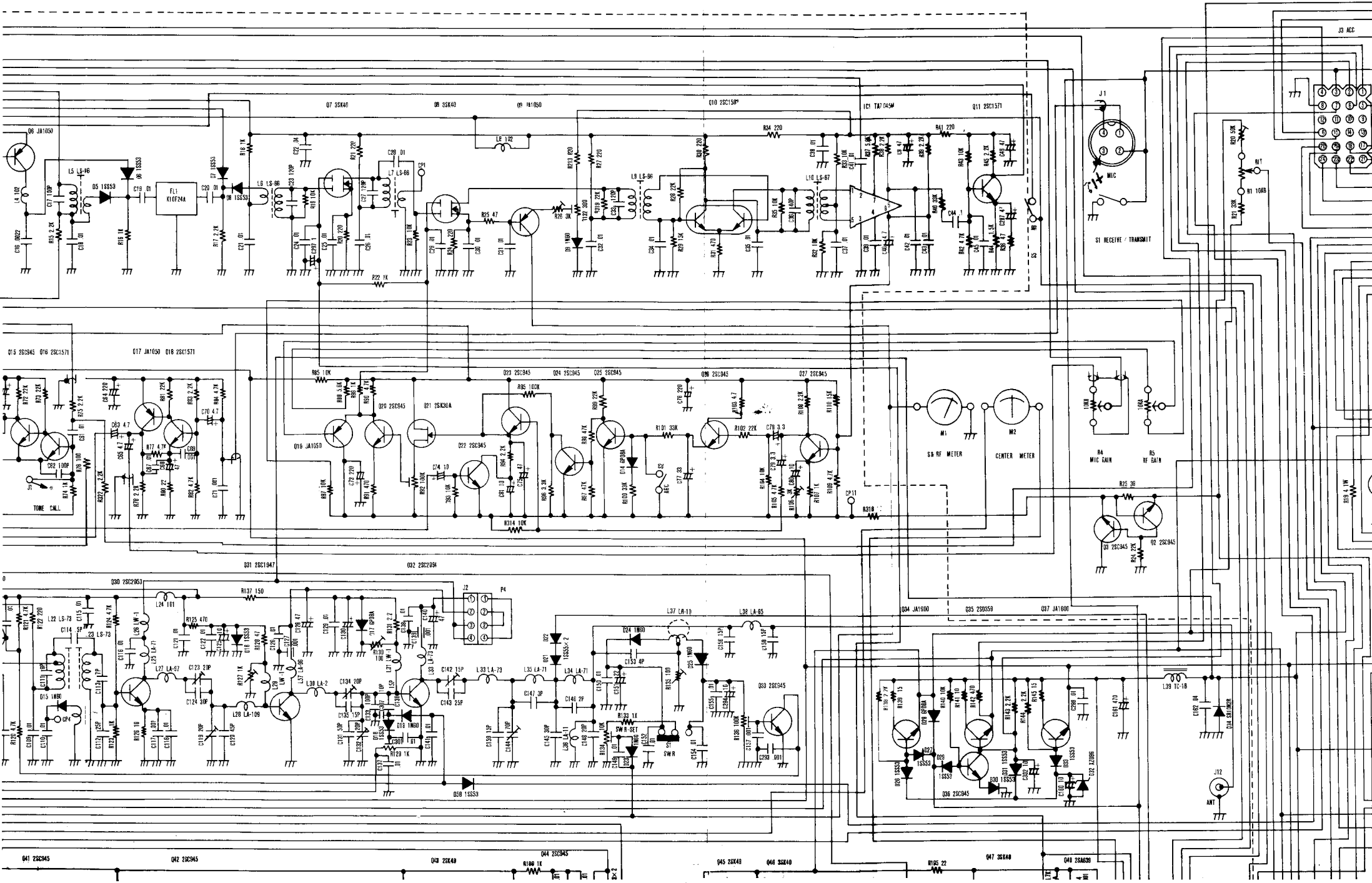
Downloaded by

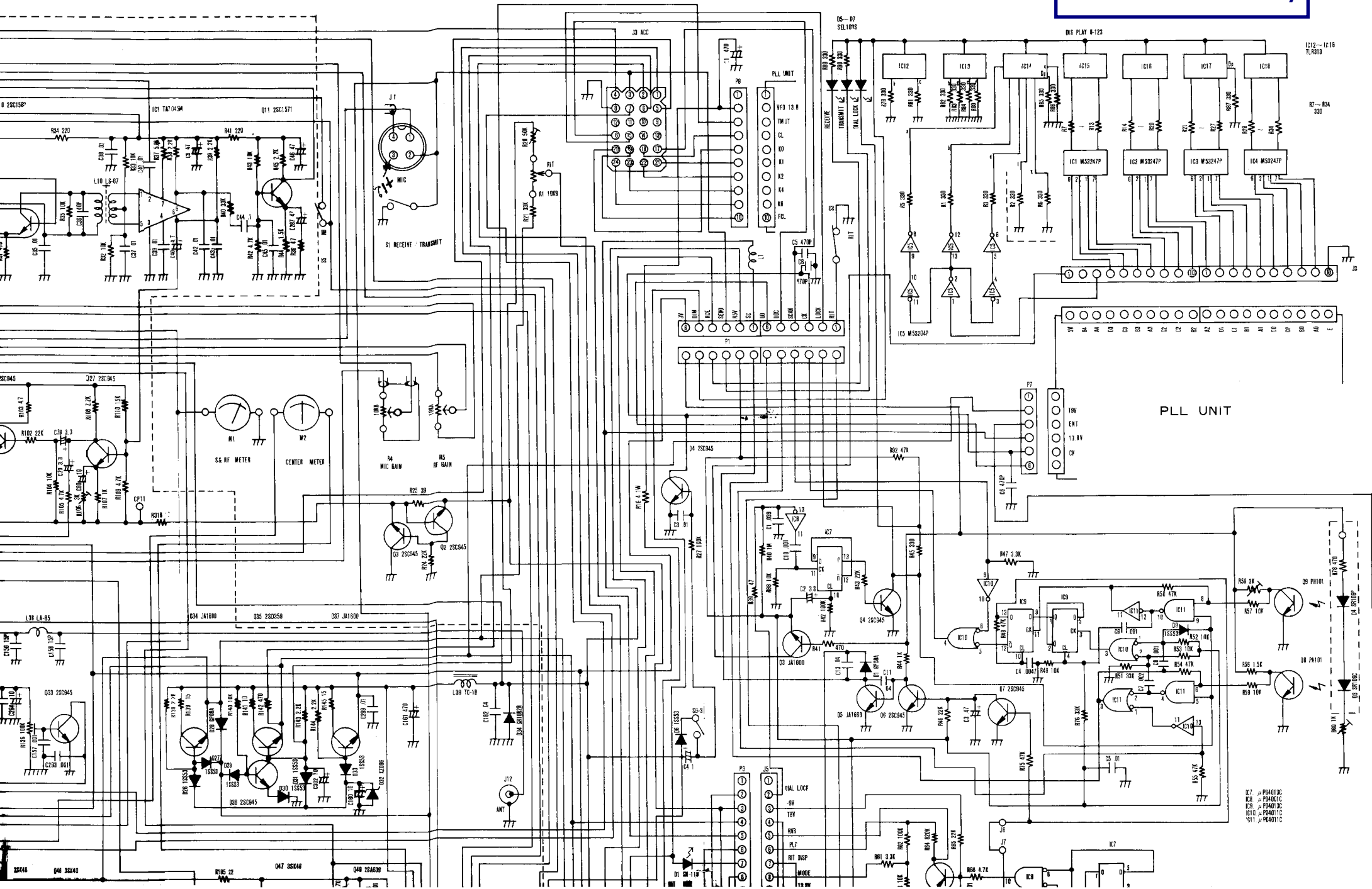
Amateur Radio Directory

IC-211E SCHEMATIC DIAGRAM

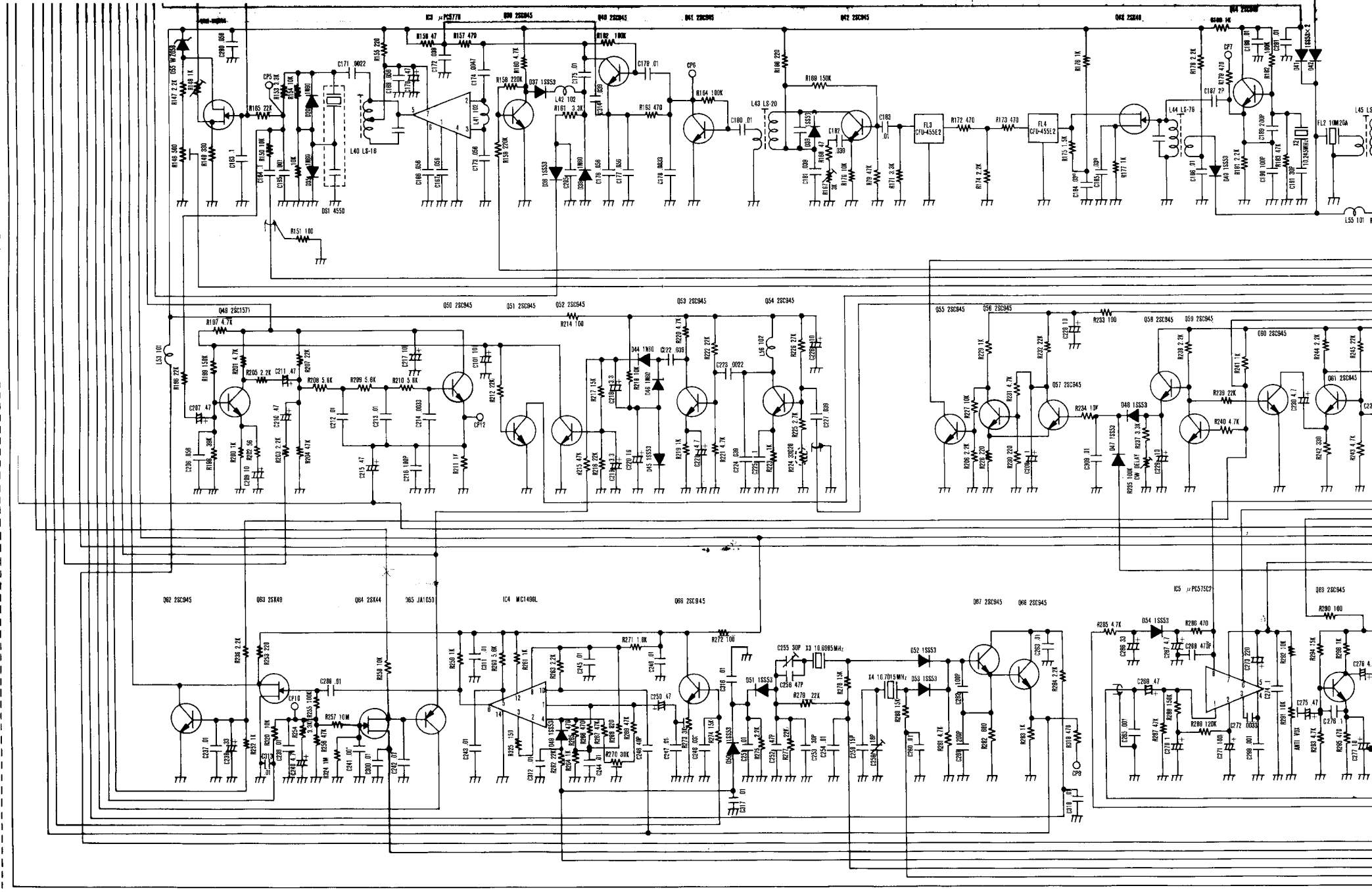
Scanned by IW1AXR
Downloaded by
Amateur Radio Directory





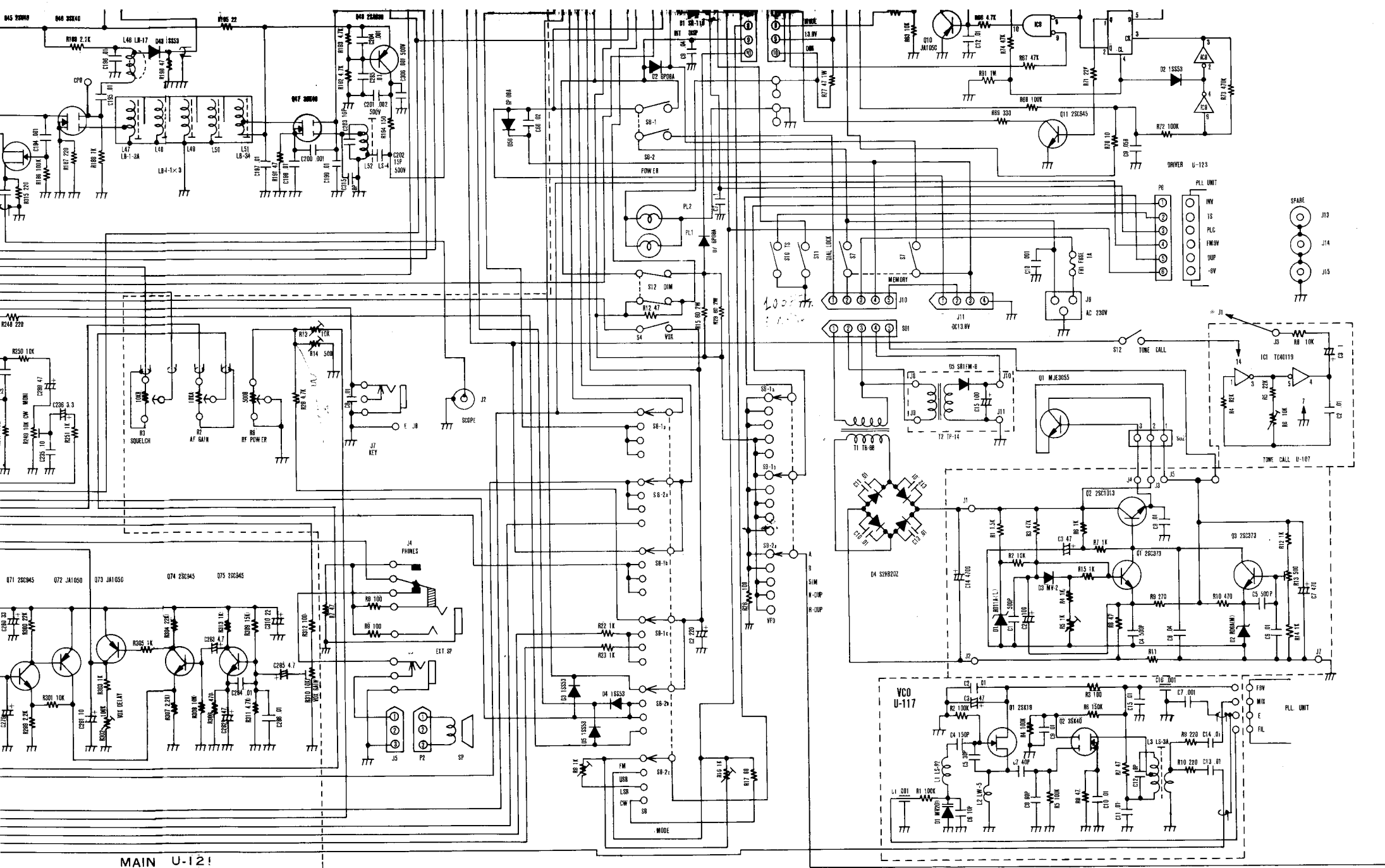


IC7 - PM4613C
 IC8 - PM4613C
 IC9 - PM4613C
 IC10 - PM4613C
 IC11 - PM4613C



Scanned by IW1AXR

Downloaded by
Amateur Radio Directory

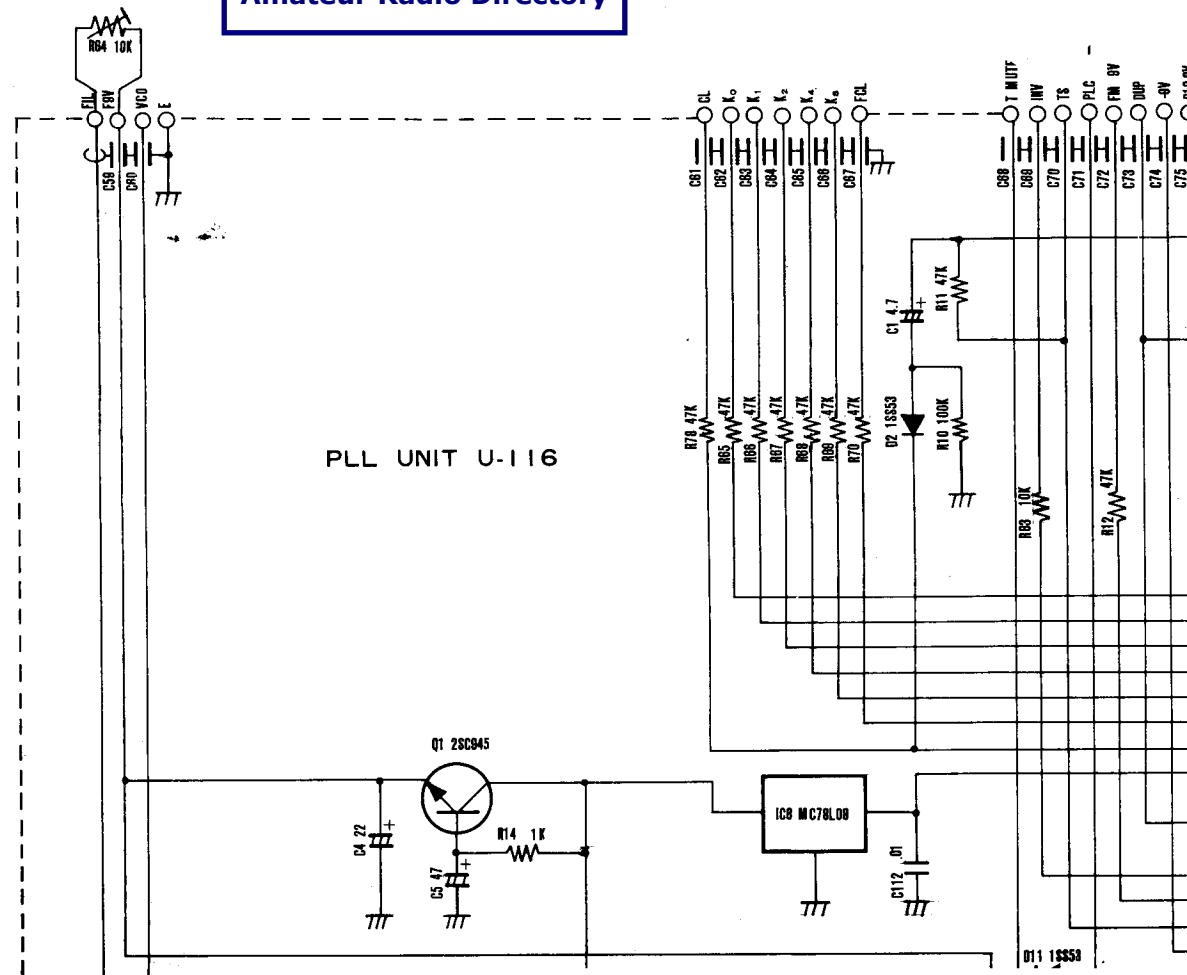


Scanned by IW1AXR
 Downloaded by
 Amateur Radio Directory

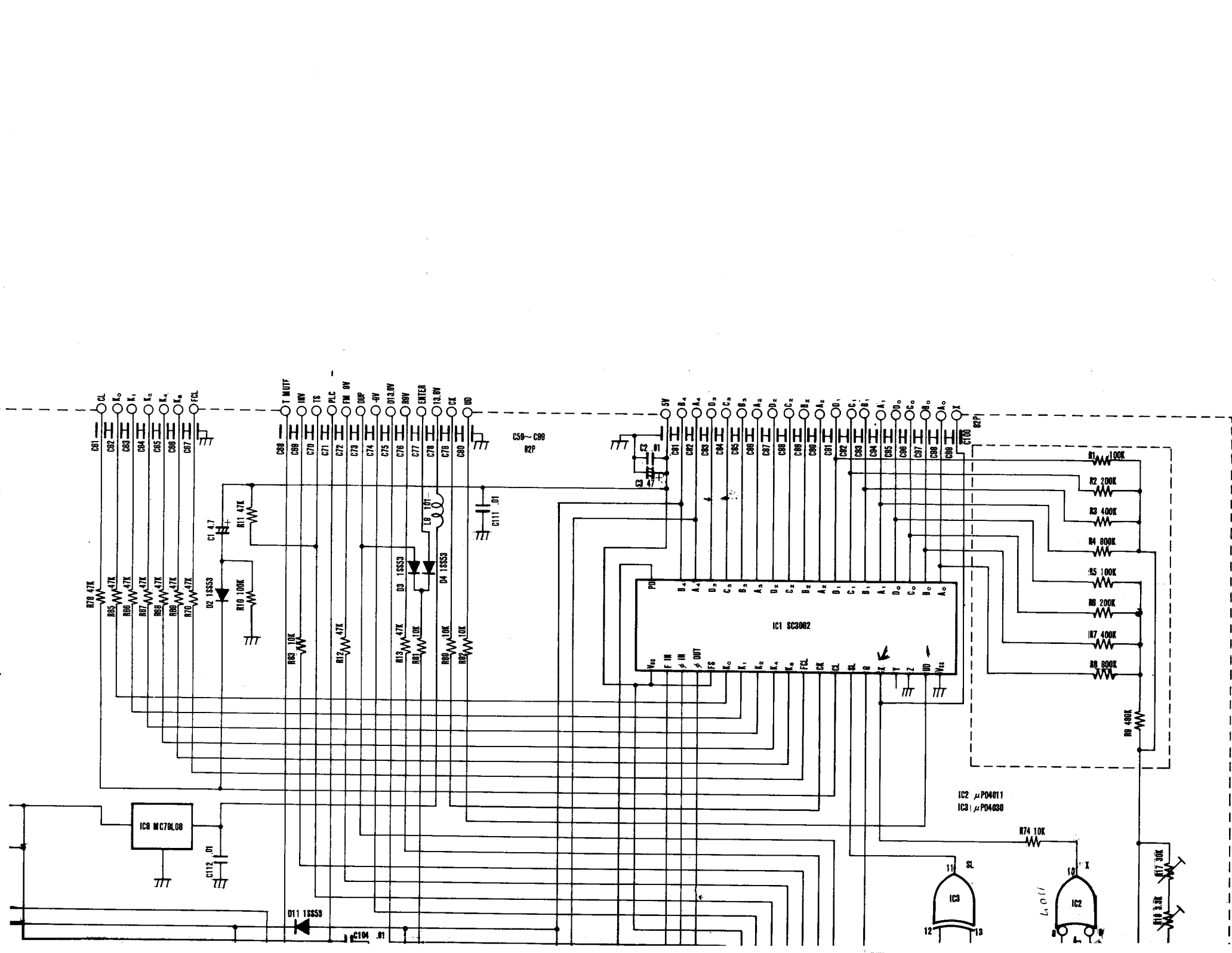
ICOM INOUE COMMUNICATION EQUIPMENT CORPORATION

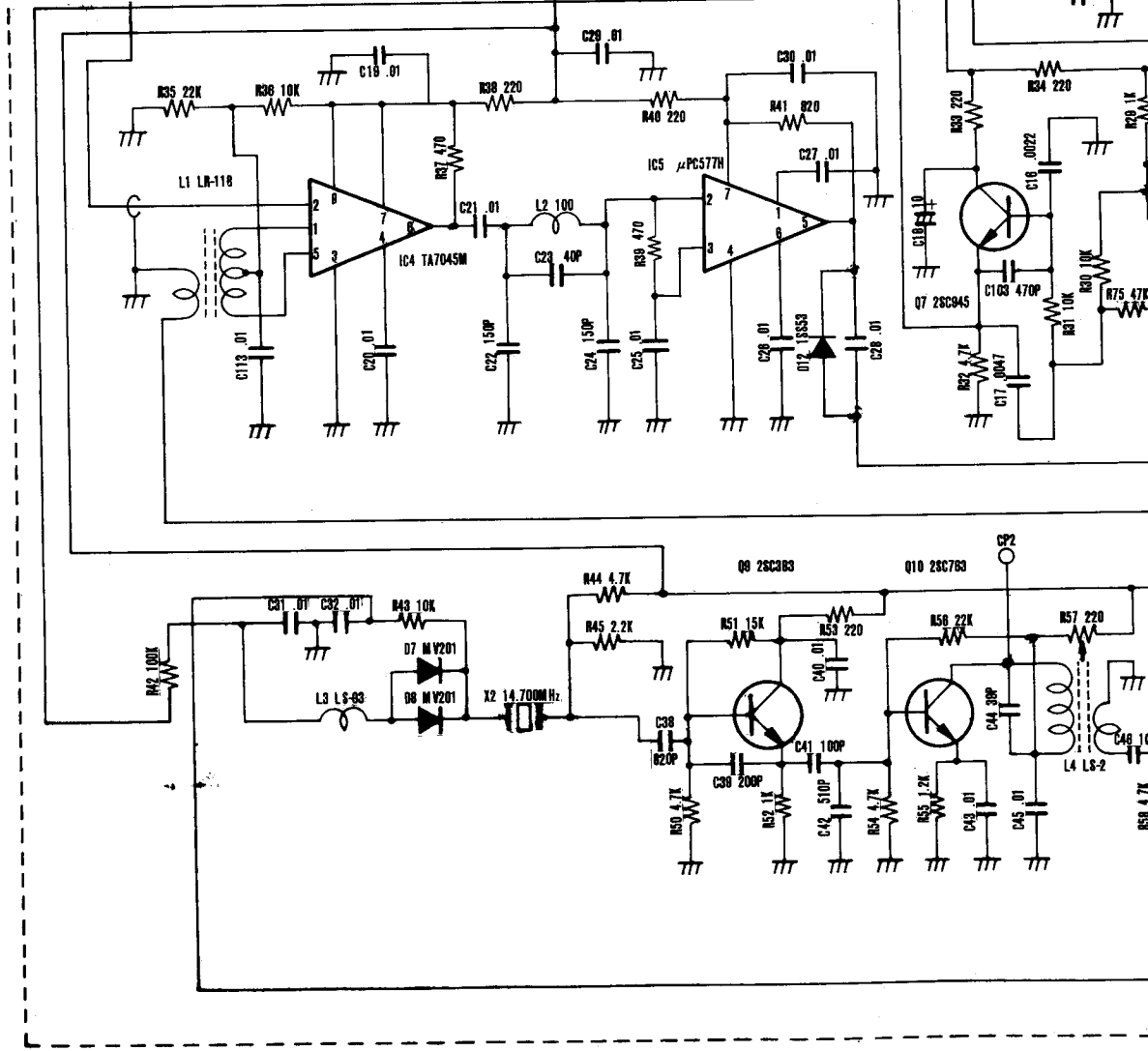
Some components subject to change for an improvement without notice.

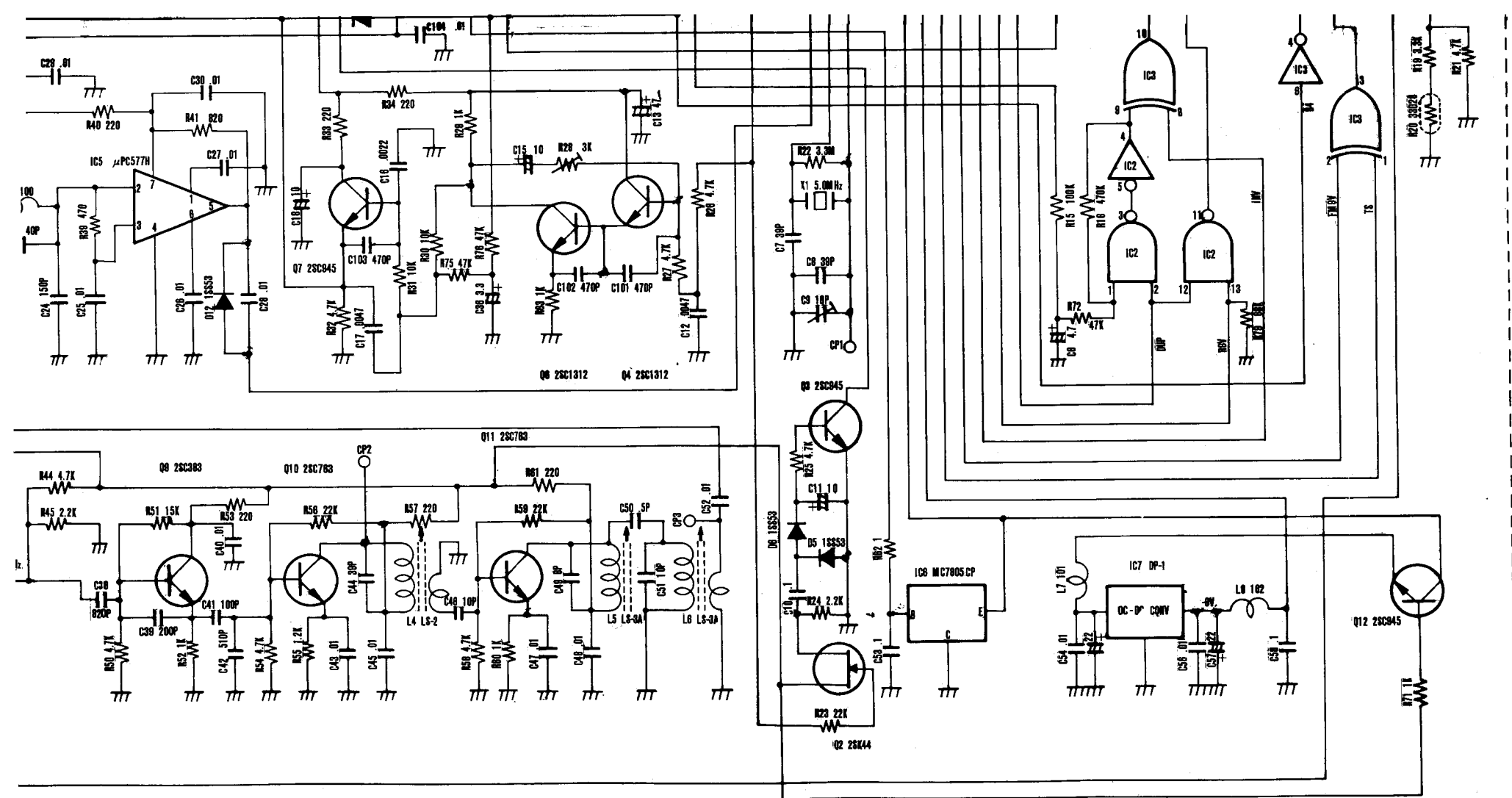
Scanned by IW1AXR
Downloaded by
Amateur Radio Directory



PLL UNIT U-116





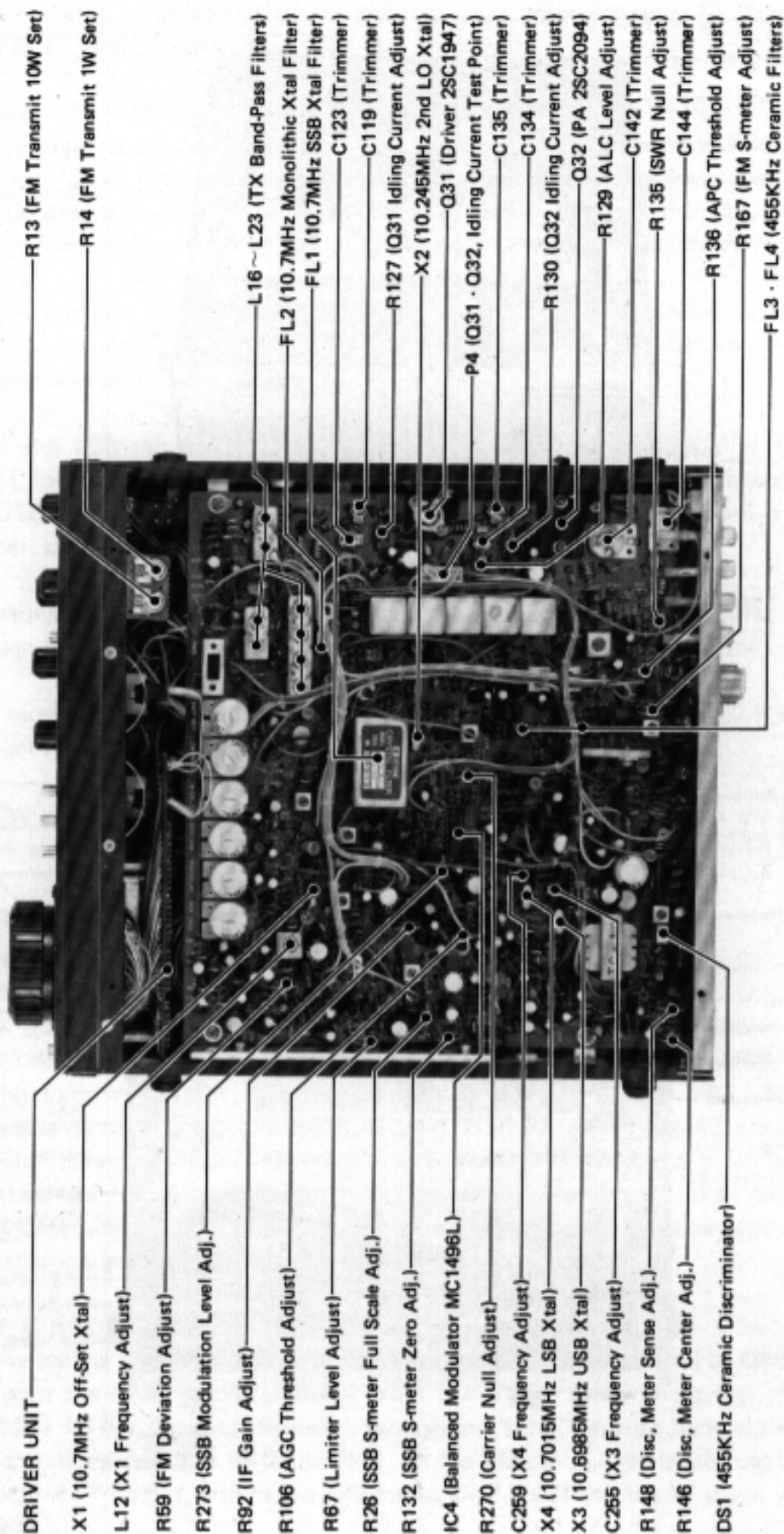


Scanned by IW1AXR
 Downloaded by
 Amateur Radio Directory

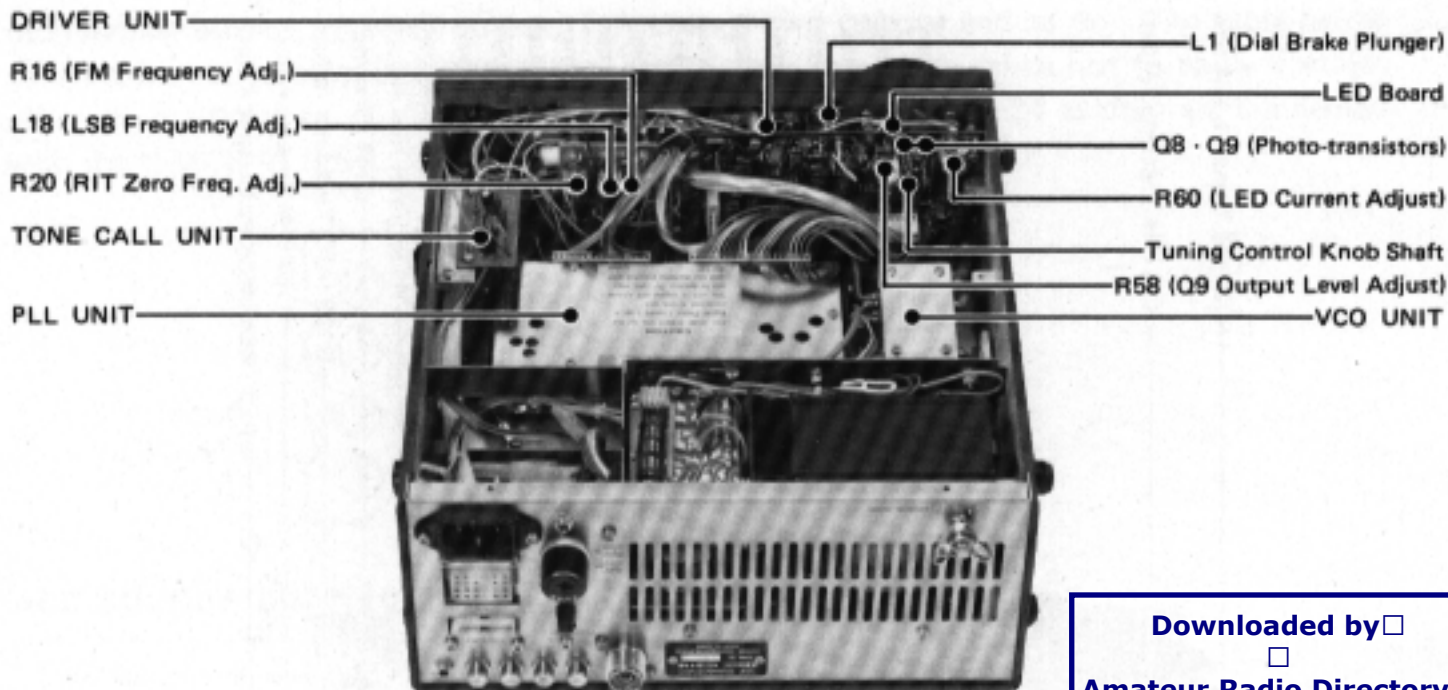
Downloaded by

Amateur Radio Directory

MAIN PC BOARD SIDE

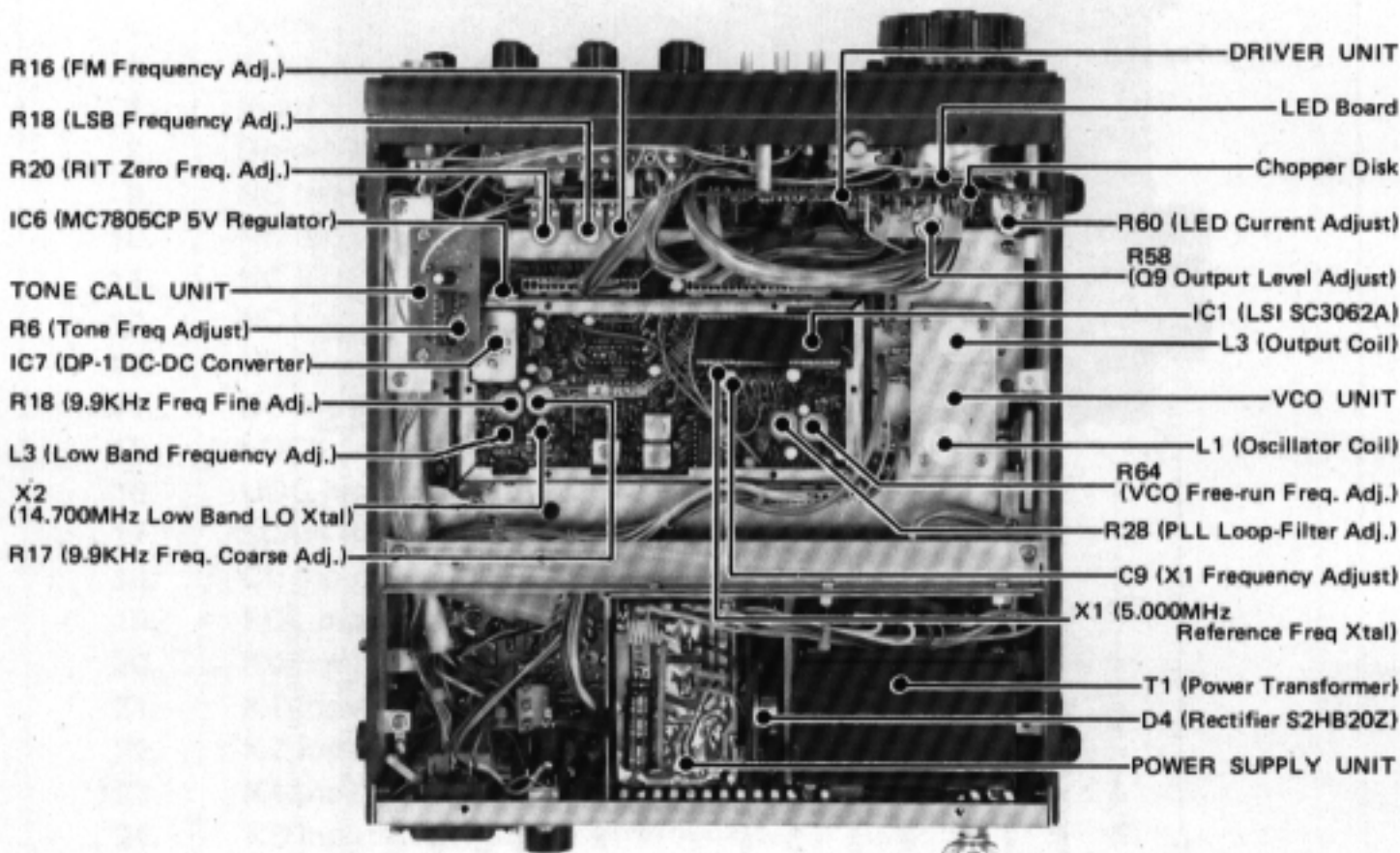


PLL UNIT SIDE



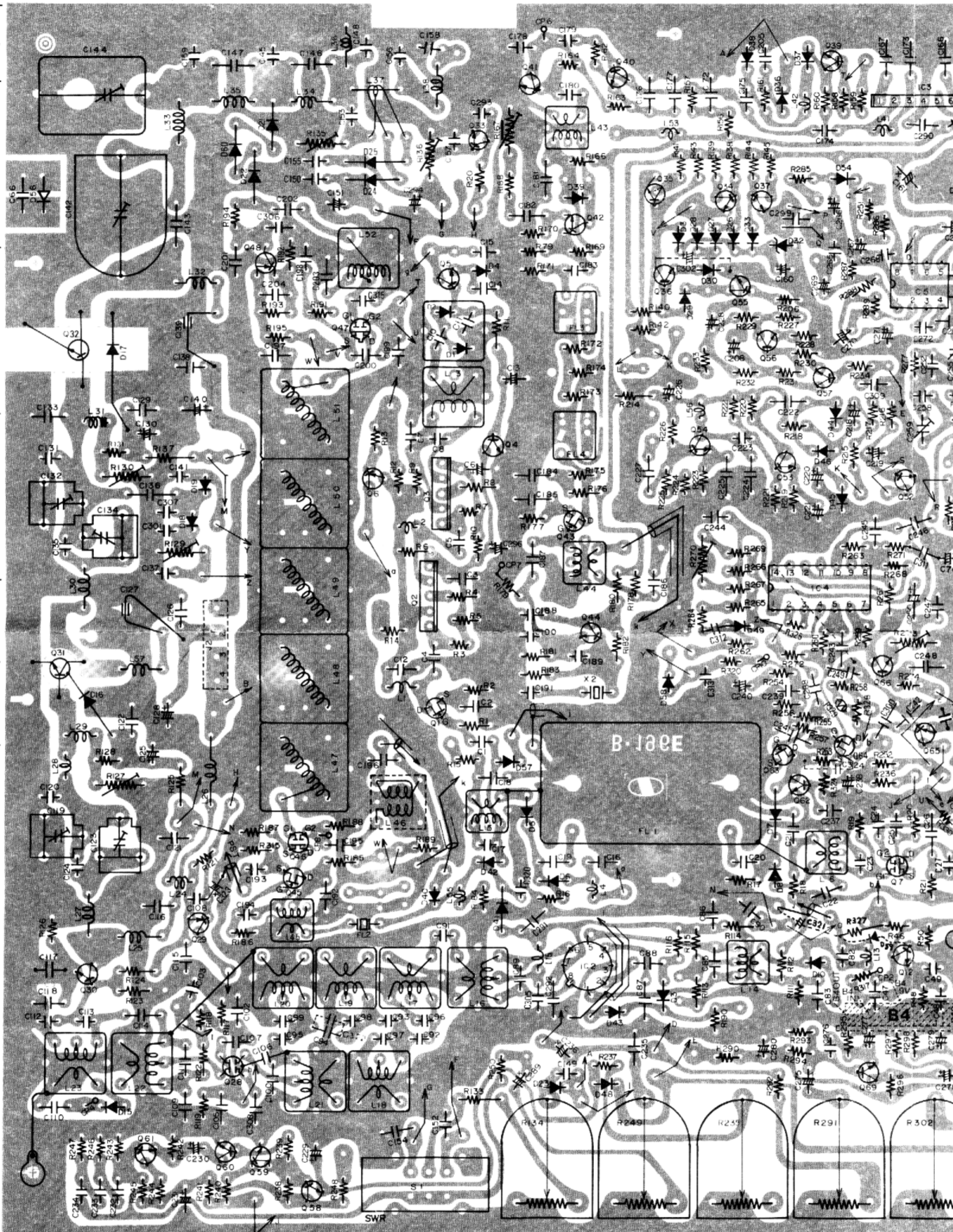
Downloaded by

 Amateur Radio Directory

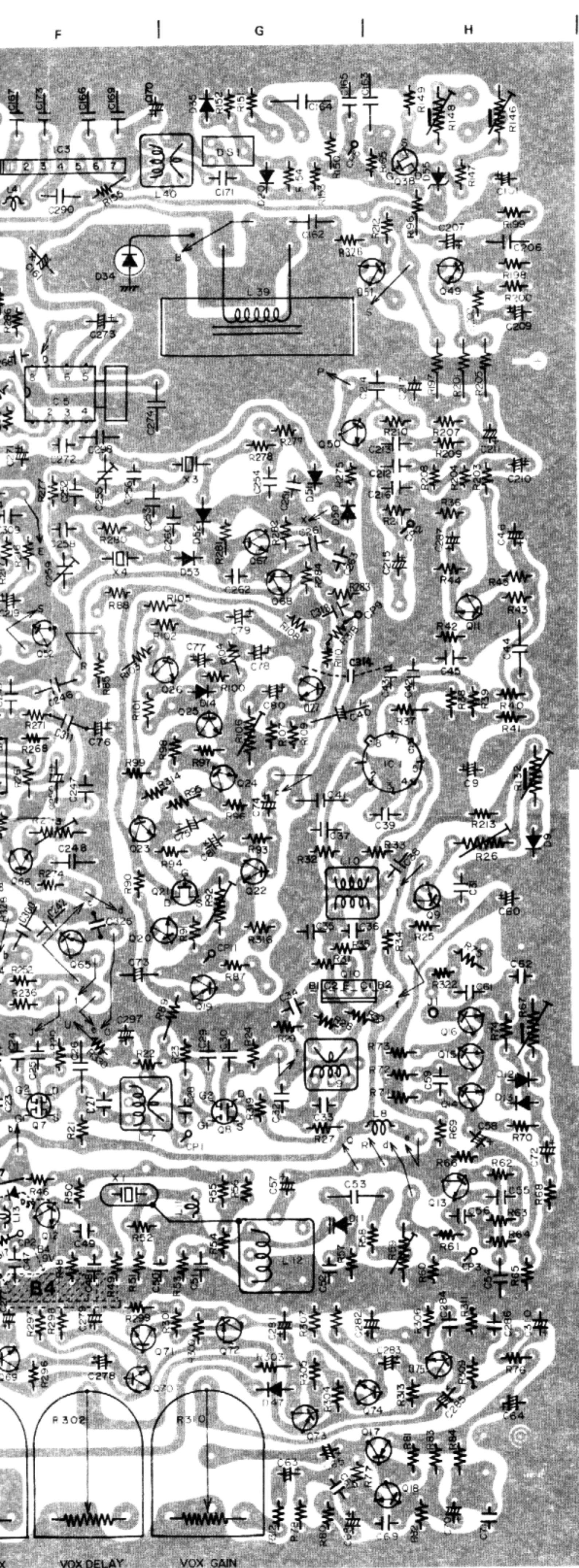


A B C D E F

8
7
6
5
4
3
2
1



SWR SET CW MONI CW DELAY ANTI VOX VOX DELA

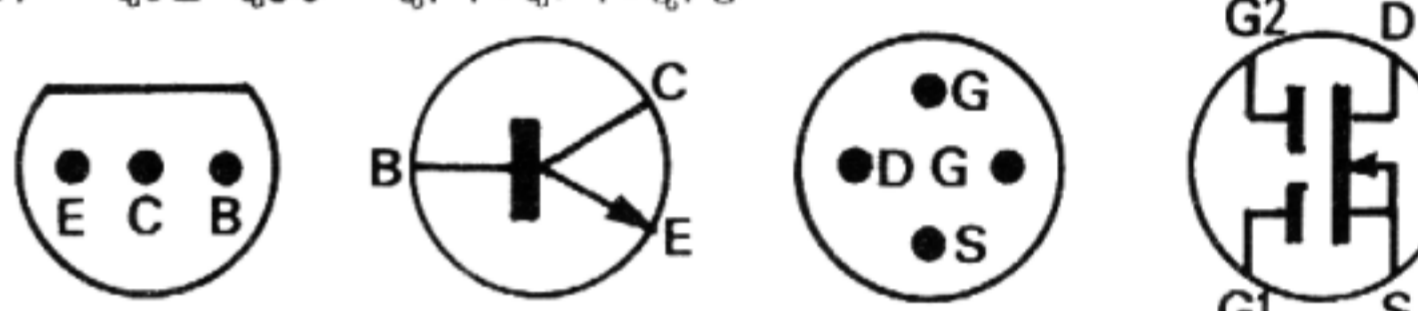


Downloaded by

 Amateur Radio Directory

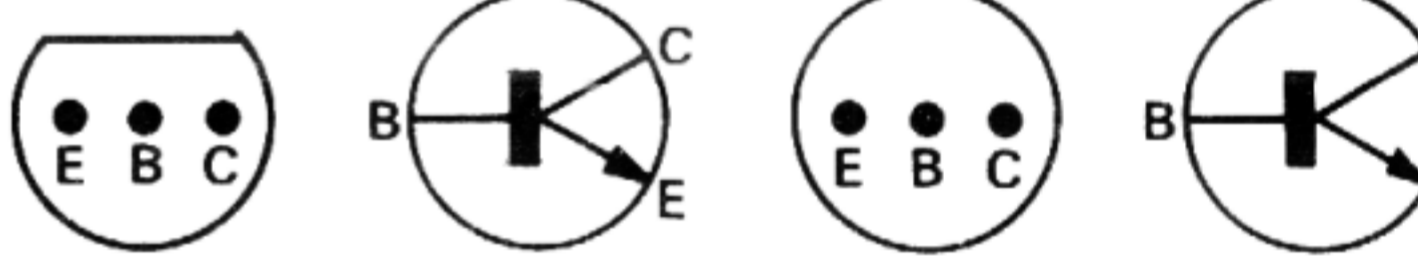
Q4·Q5·Q11·Q16·Q18·Q20·
 Q22~Q27·Q33·Q36·Q39~Q42
 Q44·Q49~Q62·Q66~Q71·Q74·Q75

Q7·Q8·Q28·Q46·Q47



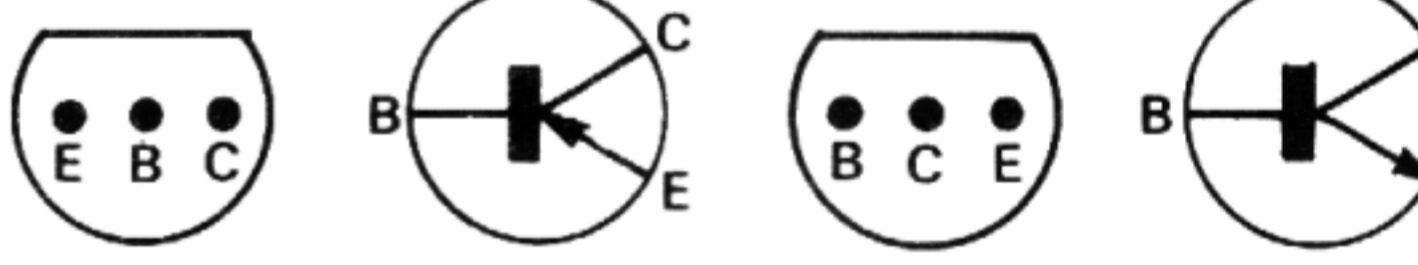
Q34·Q37

Q31



Q6·Q9·Q17·Q19·Q29·Q65
 Q72·Q73

Q30



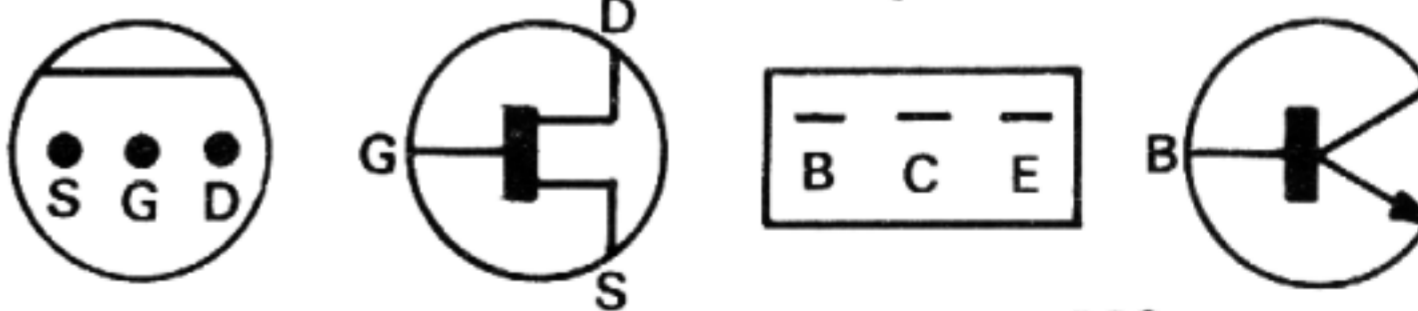
Q1·Q43·Q45·Q63

Q2·Q3·Q10



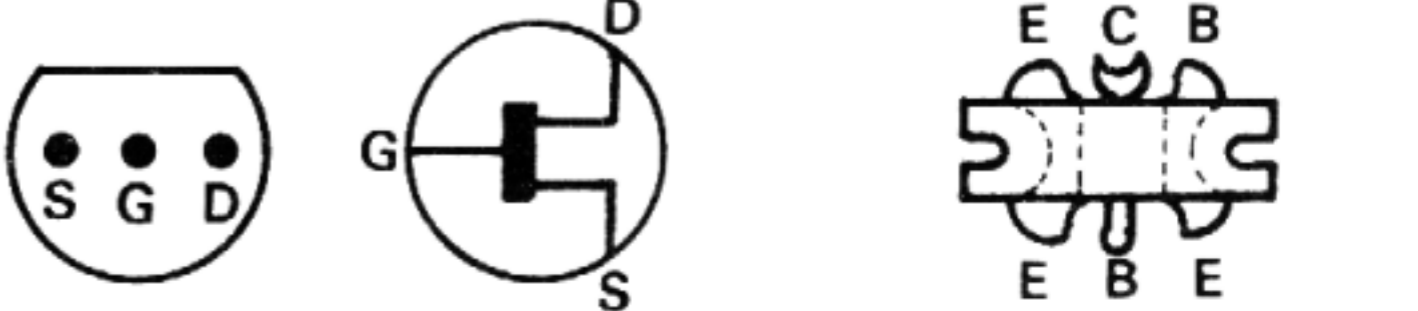
Q38·Q64

Q35



Q21

Q32

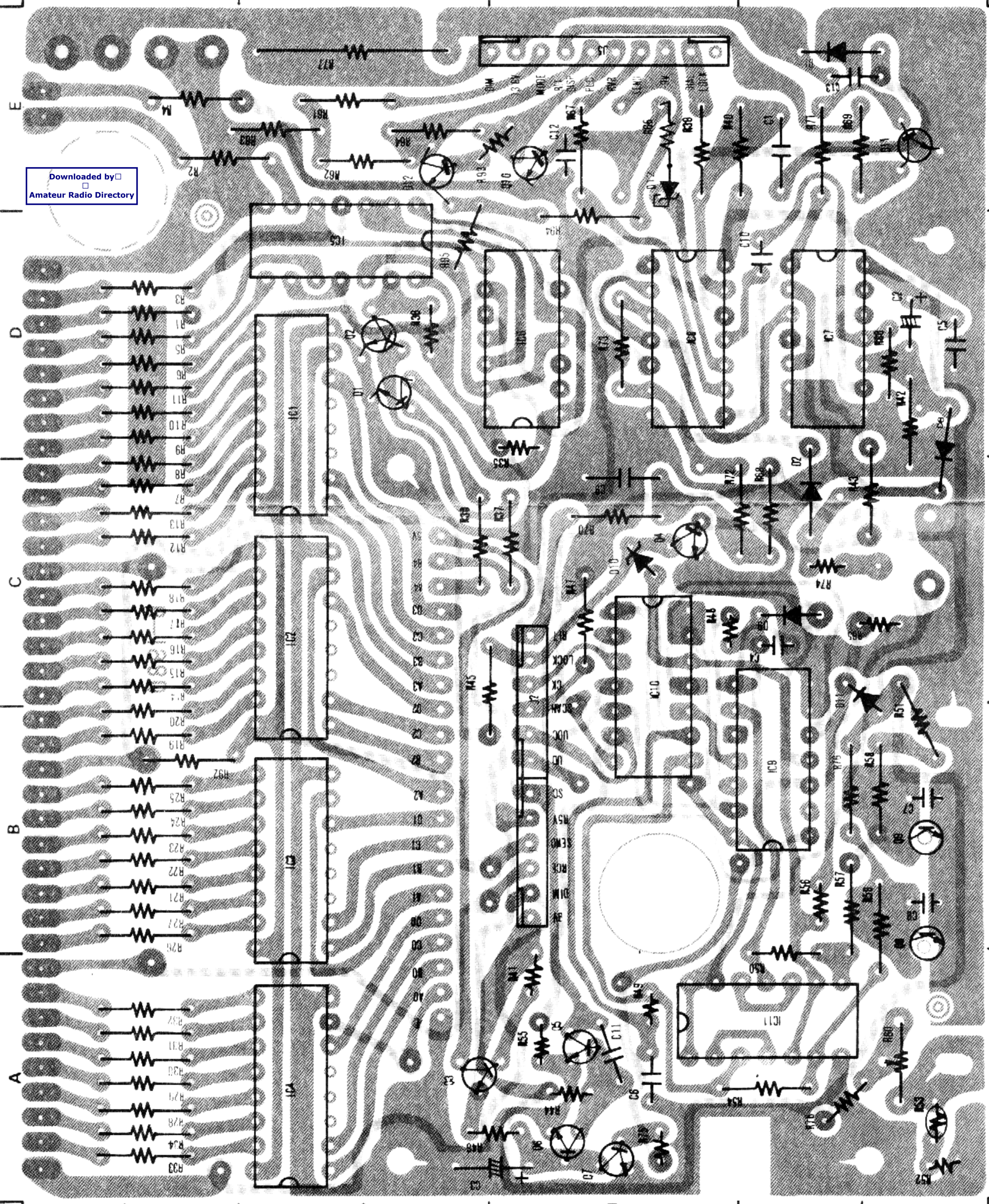


Q48



Treiber | Driver-Unit

Downloaded by
Amateur Radio Directory



4

3

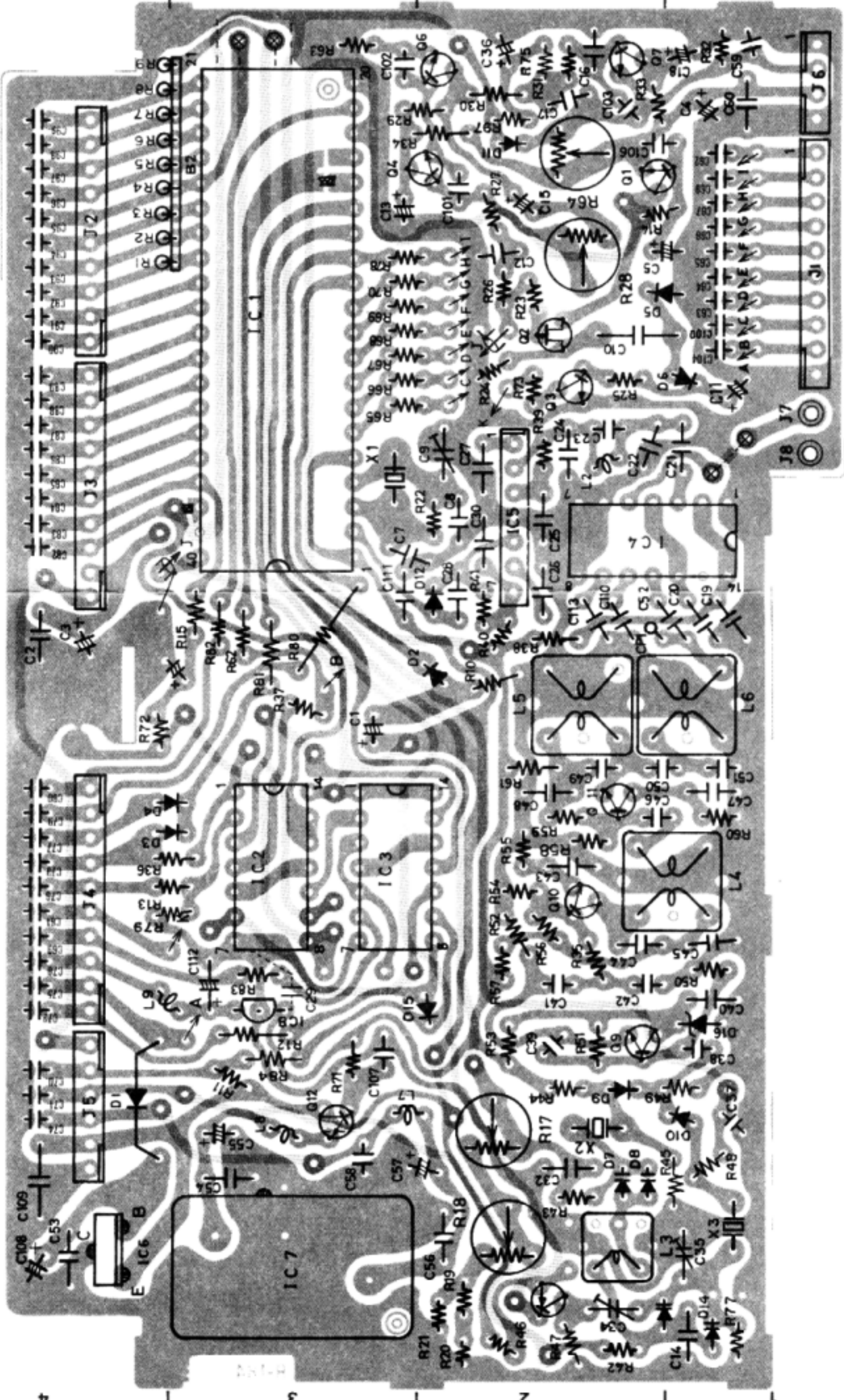
2

1

PLL

Downloaded by
Amateur Radio Directory

PLL-Platine

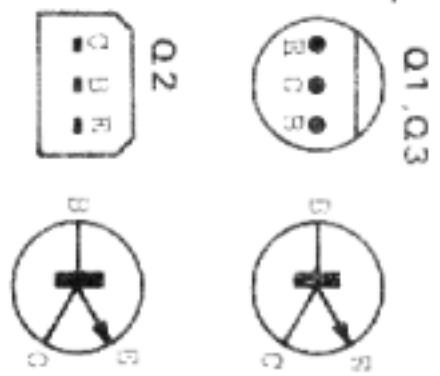
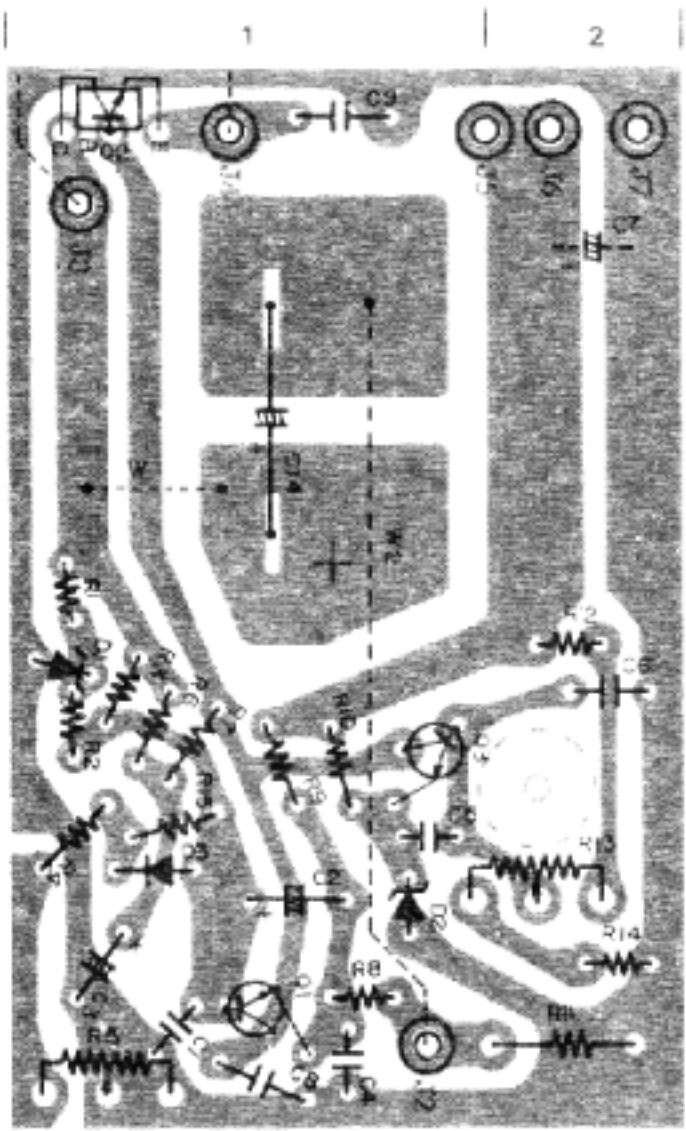


E
FIL
+9V
E
K1
FCL
K8
K4
K2
B4
K0
X
D138
E

AO
BO
CO
DO
A1
B1
C1
D1
A2
B2
C2
D2
A3
B3
C3
D3
A4
B4
C4
D4
5V
LED
UD
CK
ENT
DUP
R9V
MUTE
INV
138
D138
FM9
LED
TS
PLC
-9V
5V
E

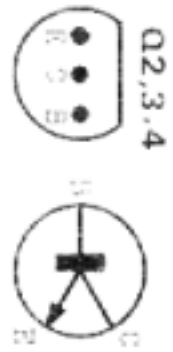
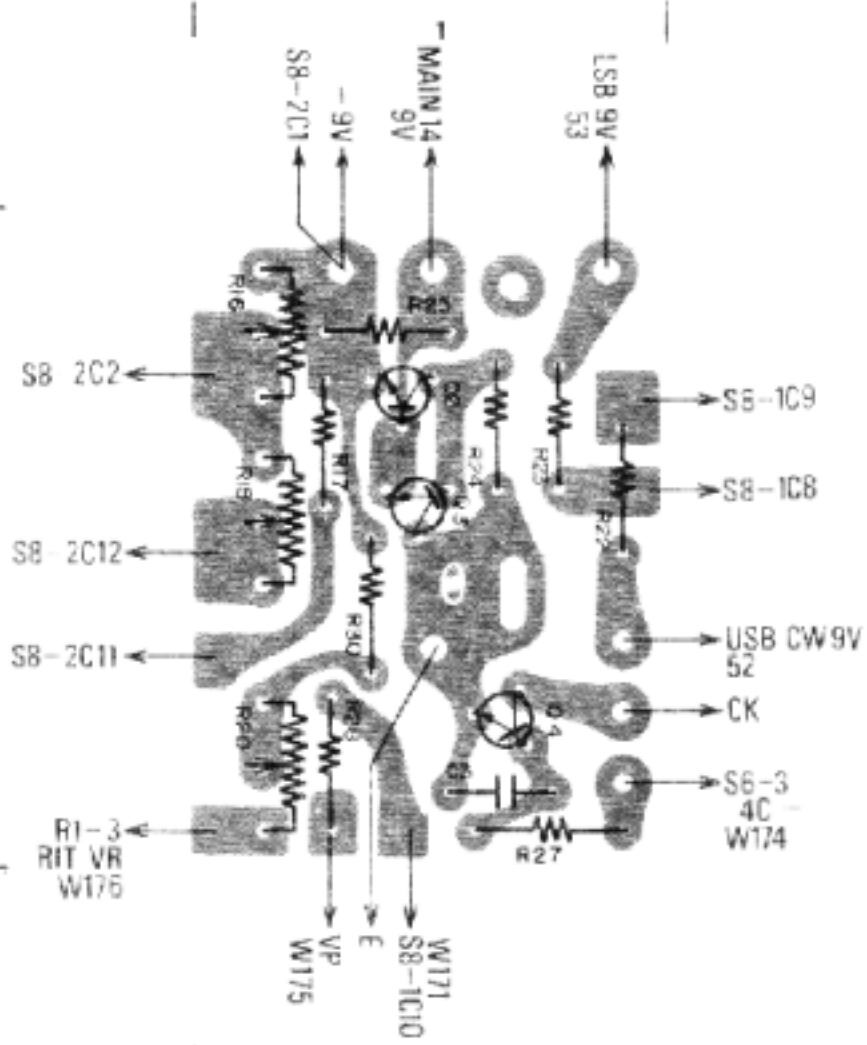
A
B
C
D
E
F
L

4
3
2
1



Stromversorgung

Regulator

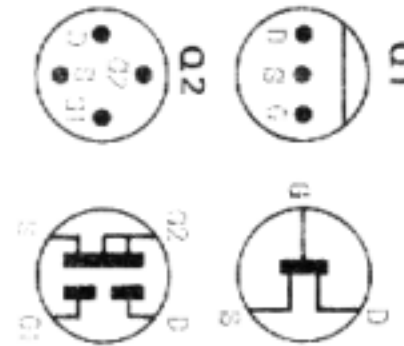
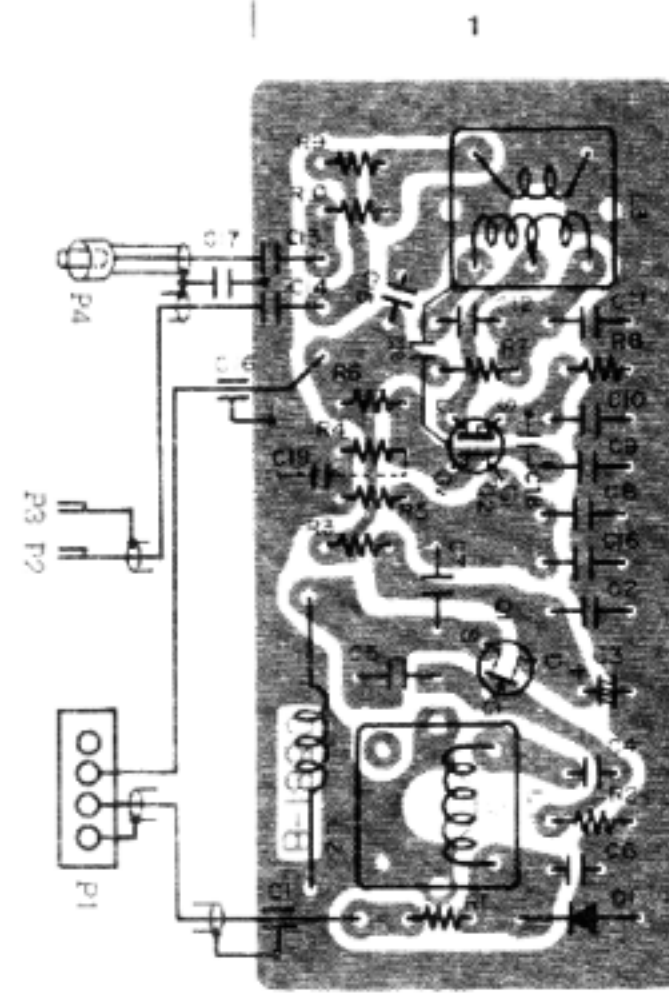
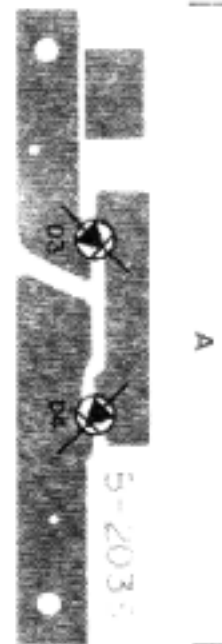


Spannungs-Stabilisierung

Constant Current

LED Unit

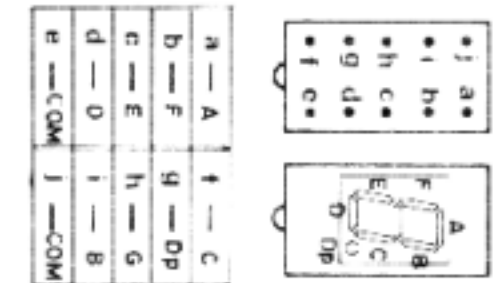
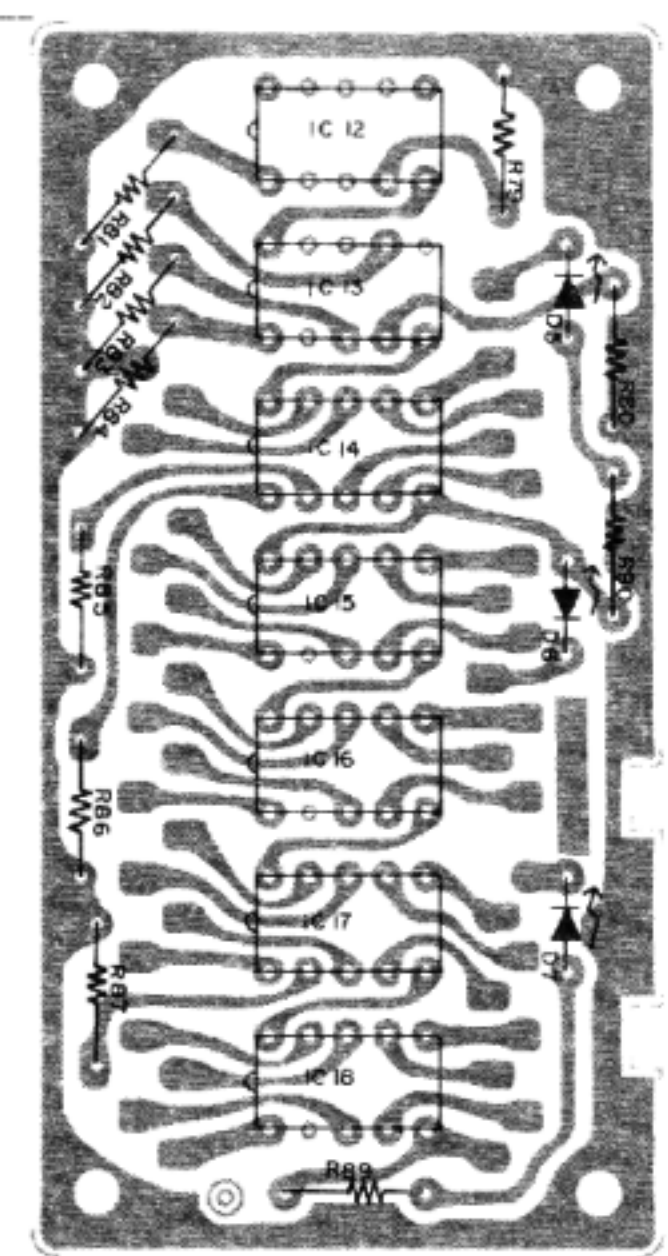
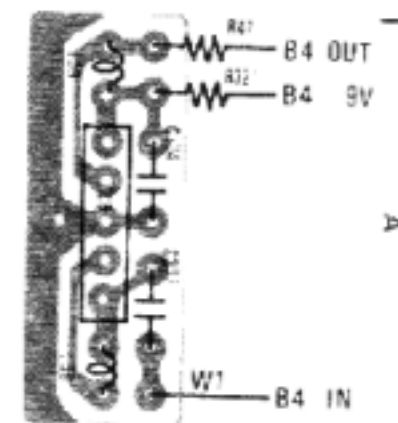
Foto-Dioden



VCO

10,7MHz Limiter

Begrenzer



Frequenzanzeige

LED Unit

Memory

