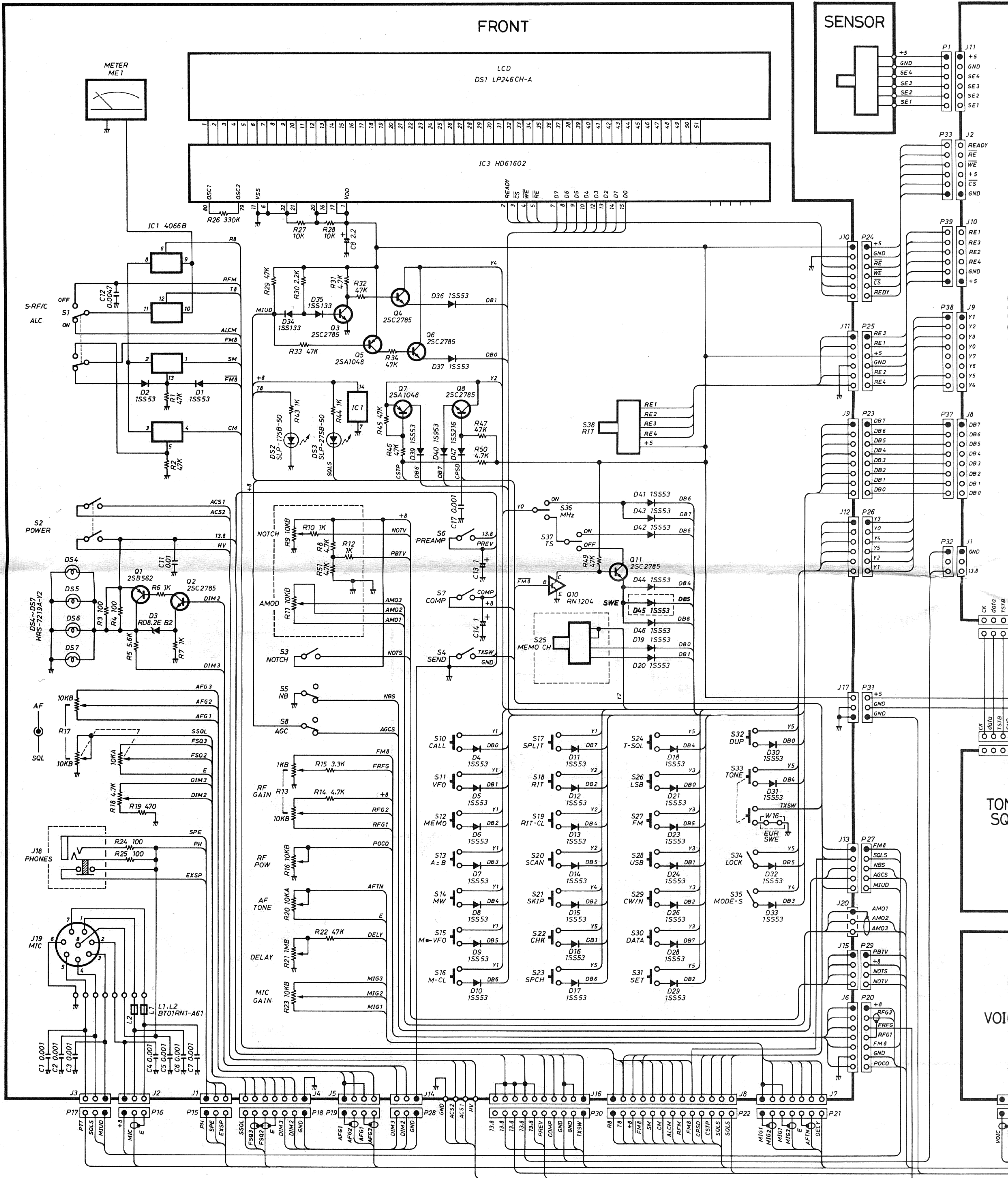


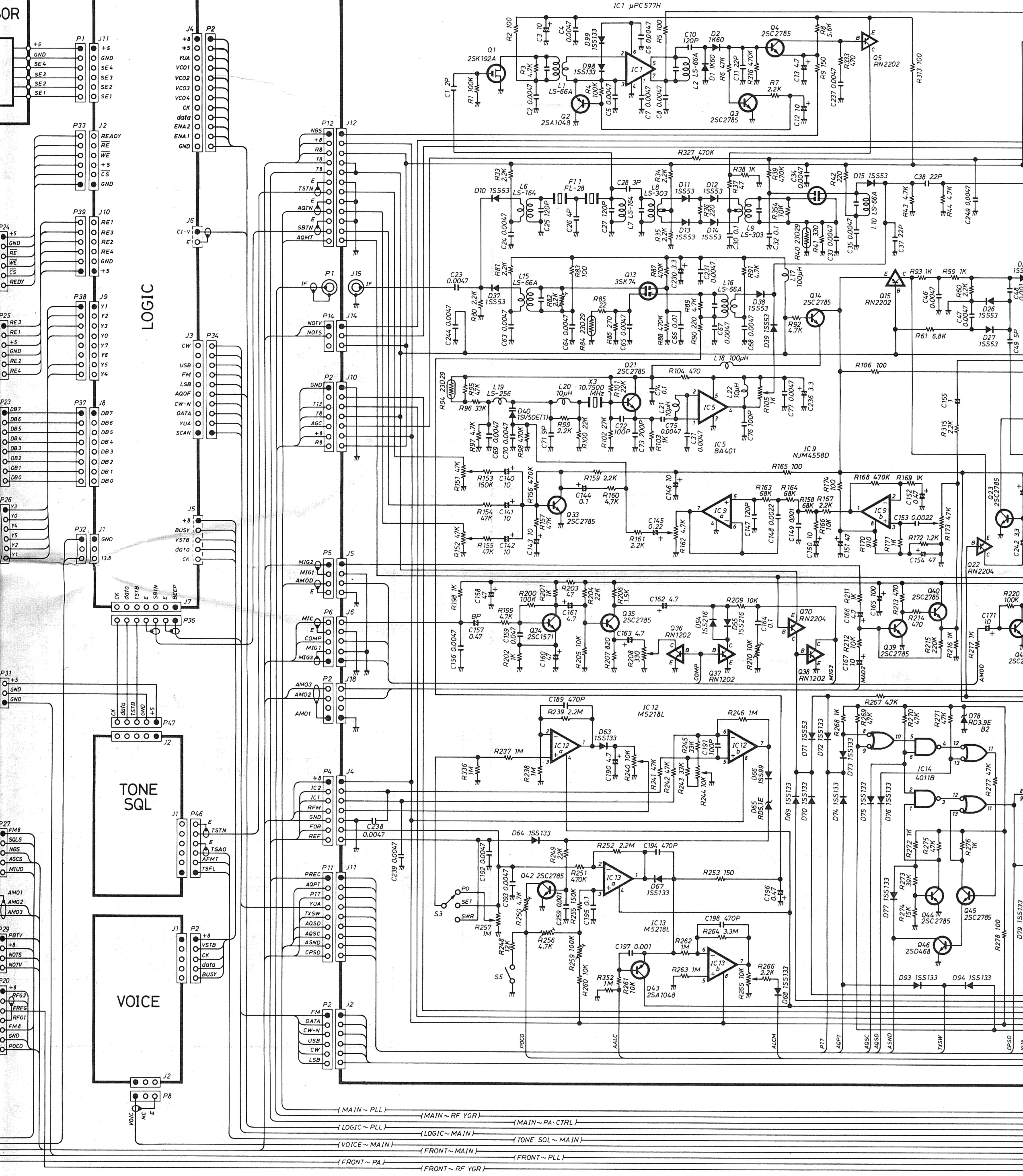
ICOM

IC-275H

SCHEMATIC DIAGRAM



OR



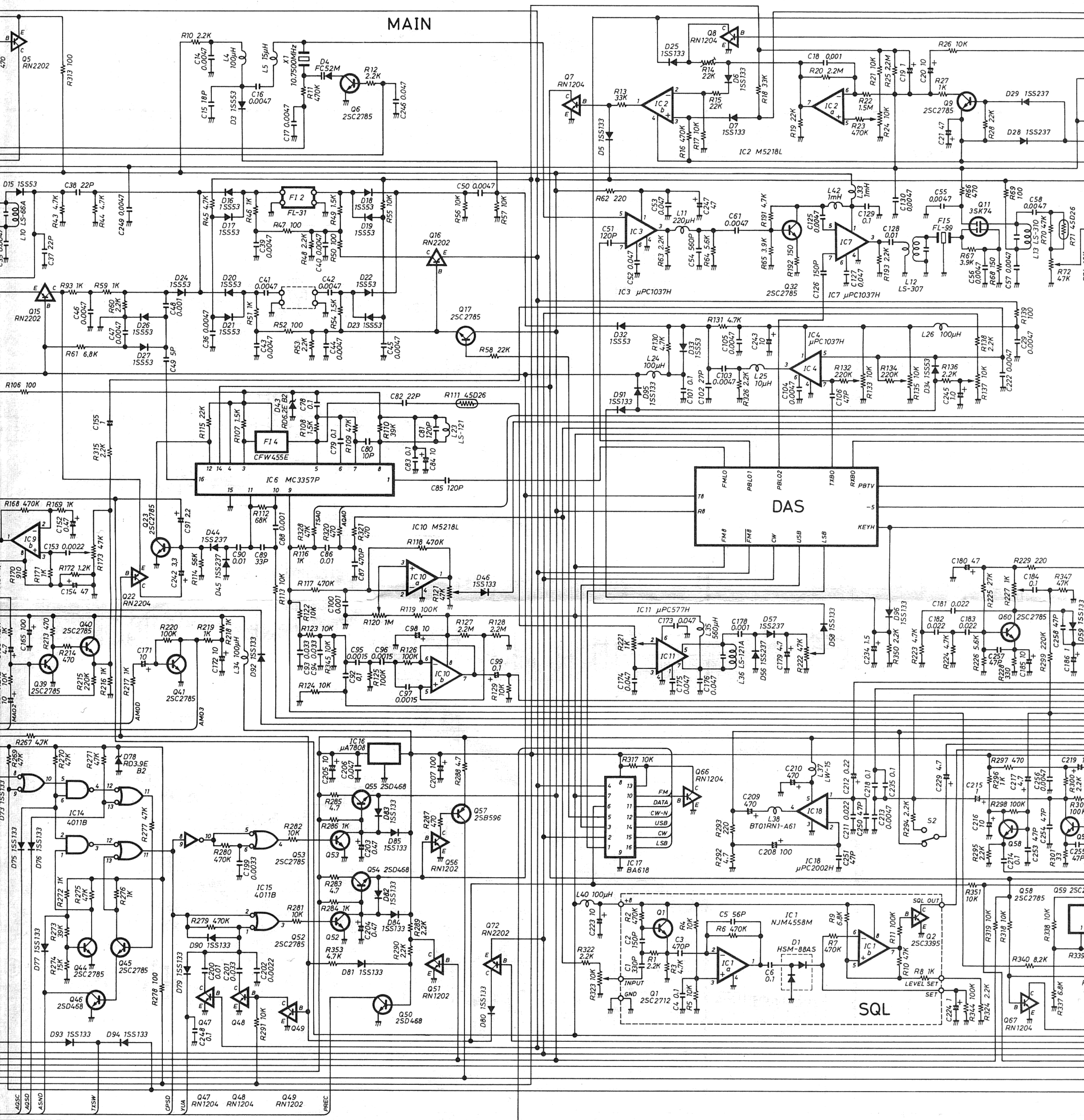
LOGIC

TONE SQL

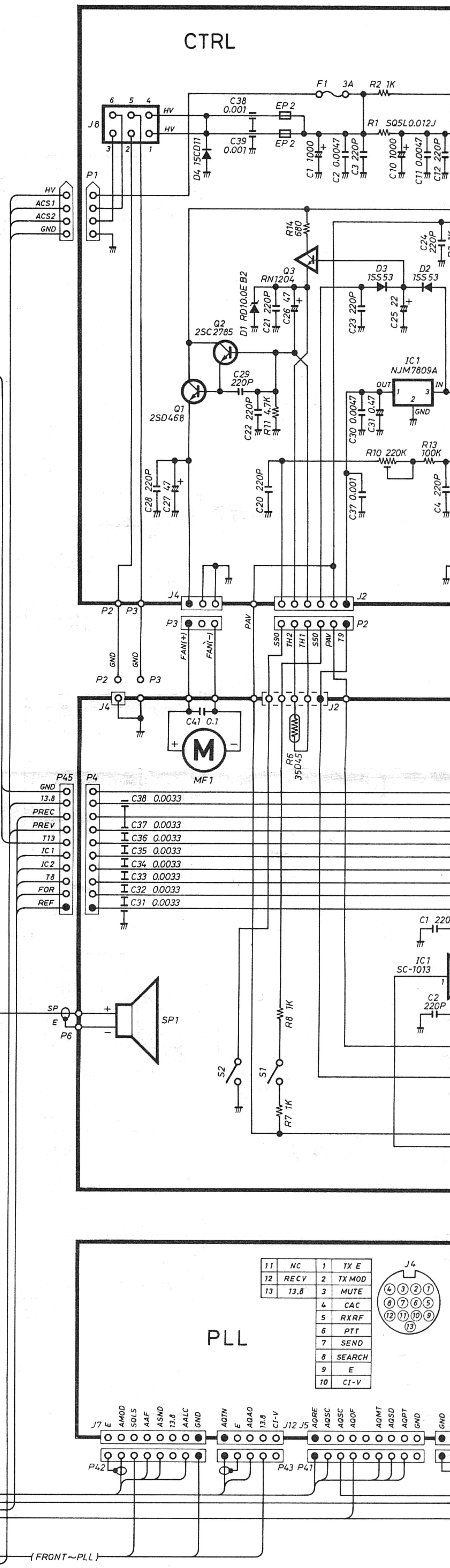
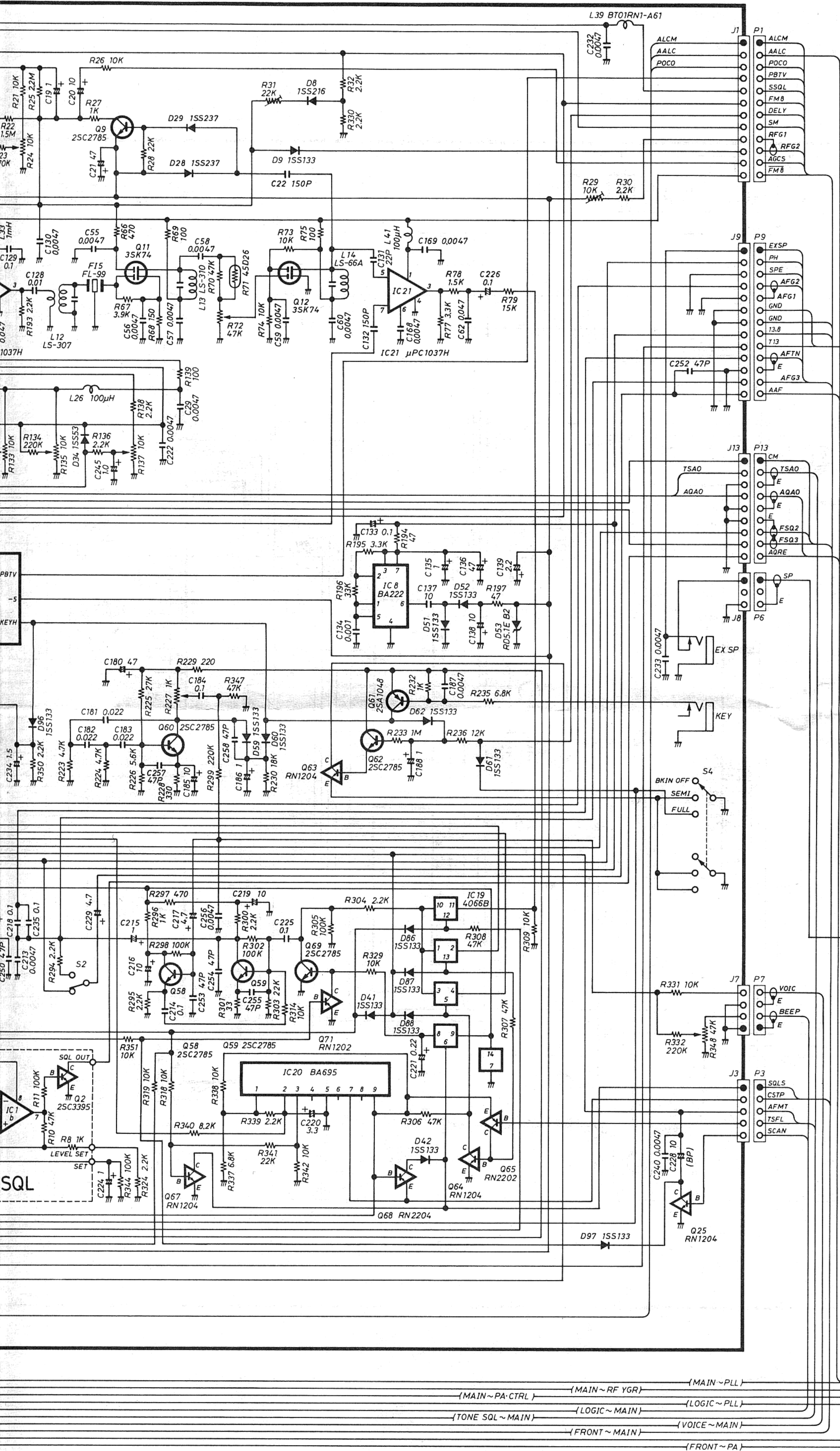
VOICE

- (MAIN ~ PLL)
- (MAIN ~ RF YGR)
- (MAIN ~ PA CTRL)
- (LOGIC ~ PLL)
- (LOGIC ~ MAIN)
- (TONE SQL ~ MAIN)
- (VOICE ~ MAIN)
- (FRONT ~ MAIN)
- (FRONT ~ PLL)
- (FRONT ~ PA)
- (FRONT ~ RF YGR)

MAIN

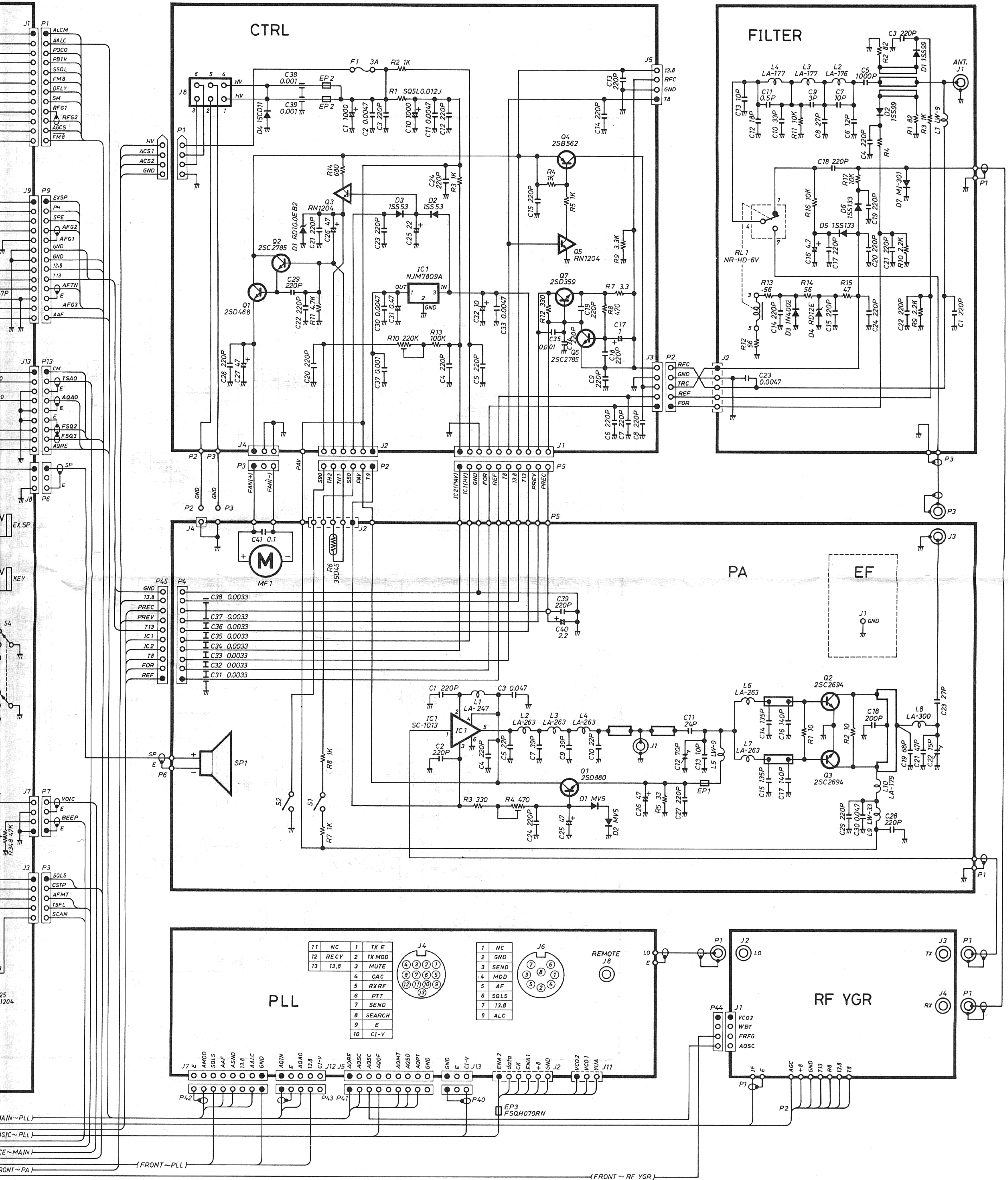


- Q47 RN1204
- Q48 RN1204
- Q49 RN1202
- PREC



{MAIN ~ PA CTRL} {MAIN ~ RF YGR} {MAIN ~ PLL}
 {TONE SQL ~ MAIN} {LOGIC ~ MAIN} {LOGIC ~ PLL}
 {FRONT ~ MAIN} {VOICE ~ MAIN} {FRONT ~ PA}

To upgrade be subject to

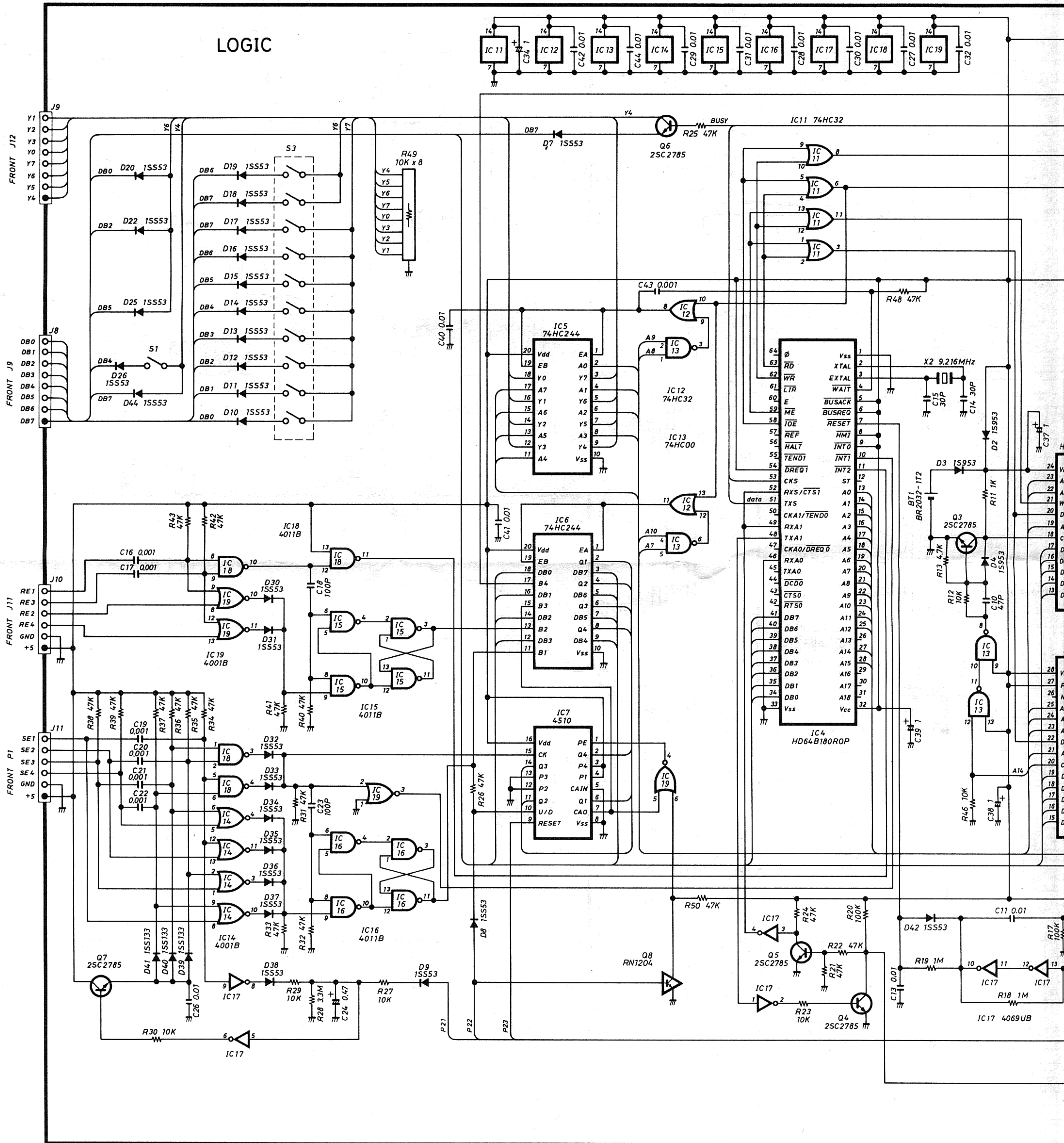


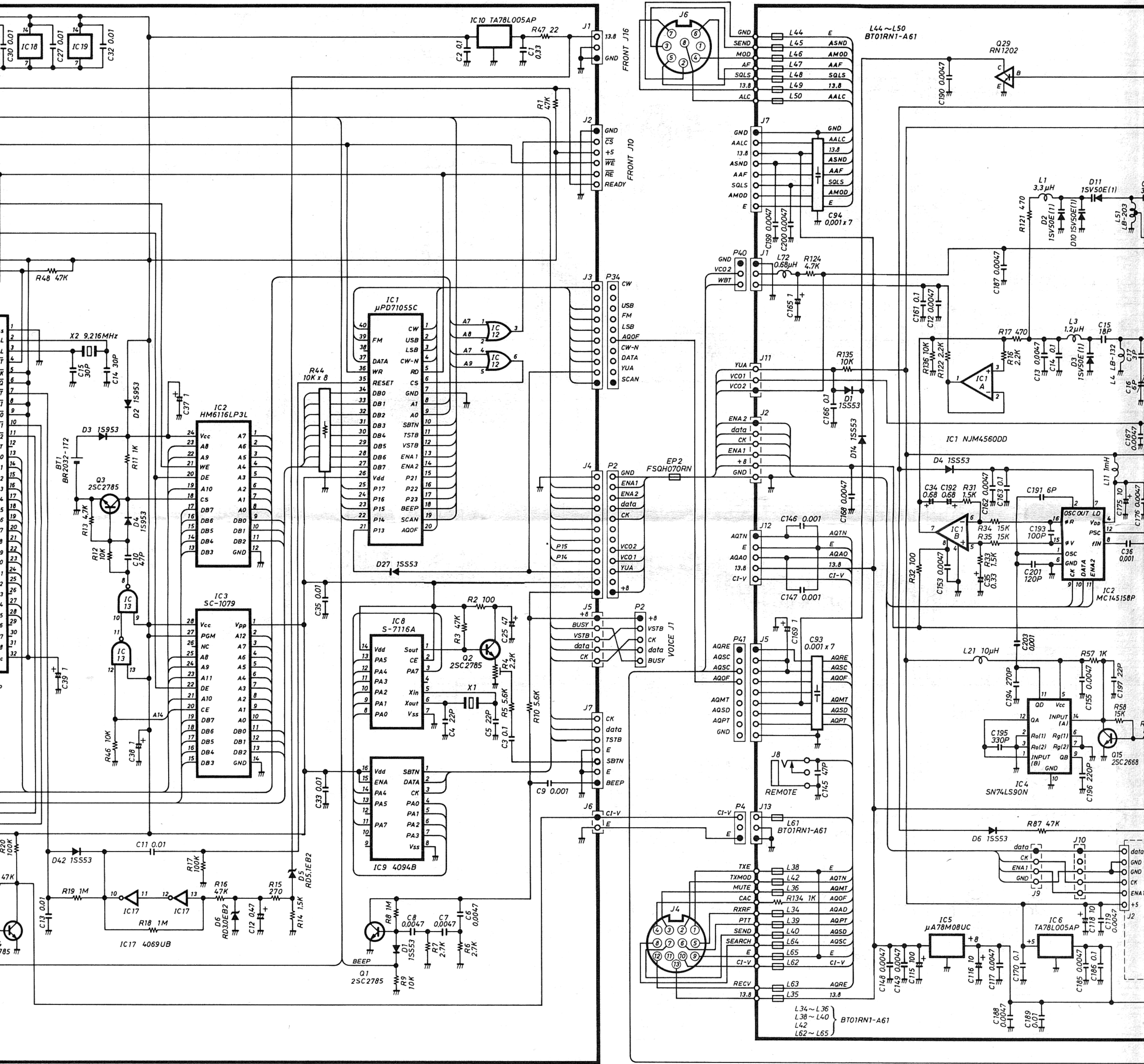
To upgrade quality, some components may be subject to change without notice.

A-5030-2H

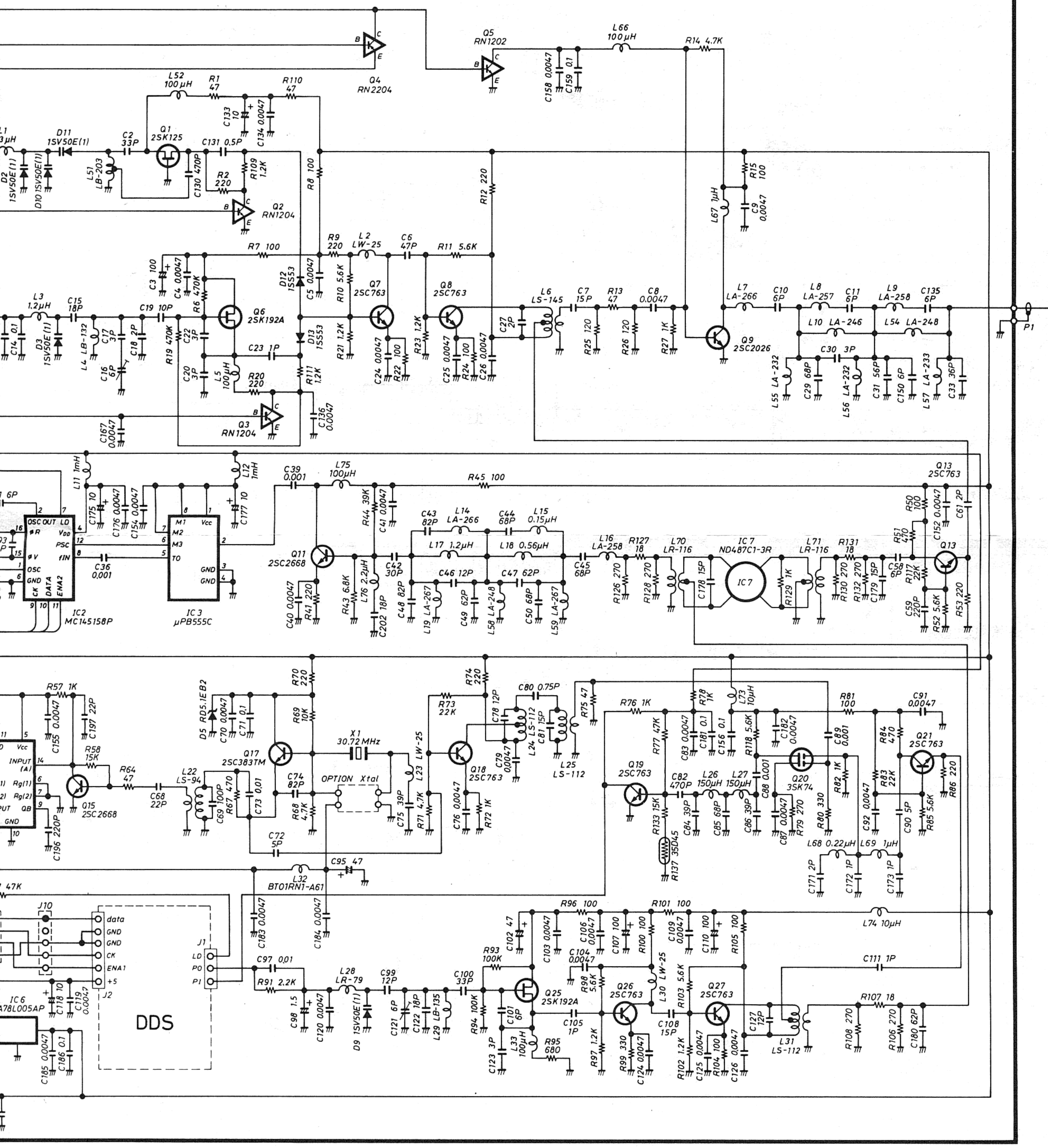
Icom Inc.

LOGIC

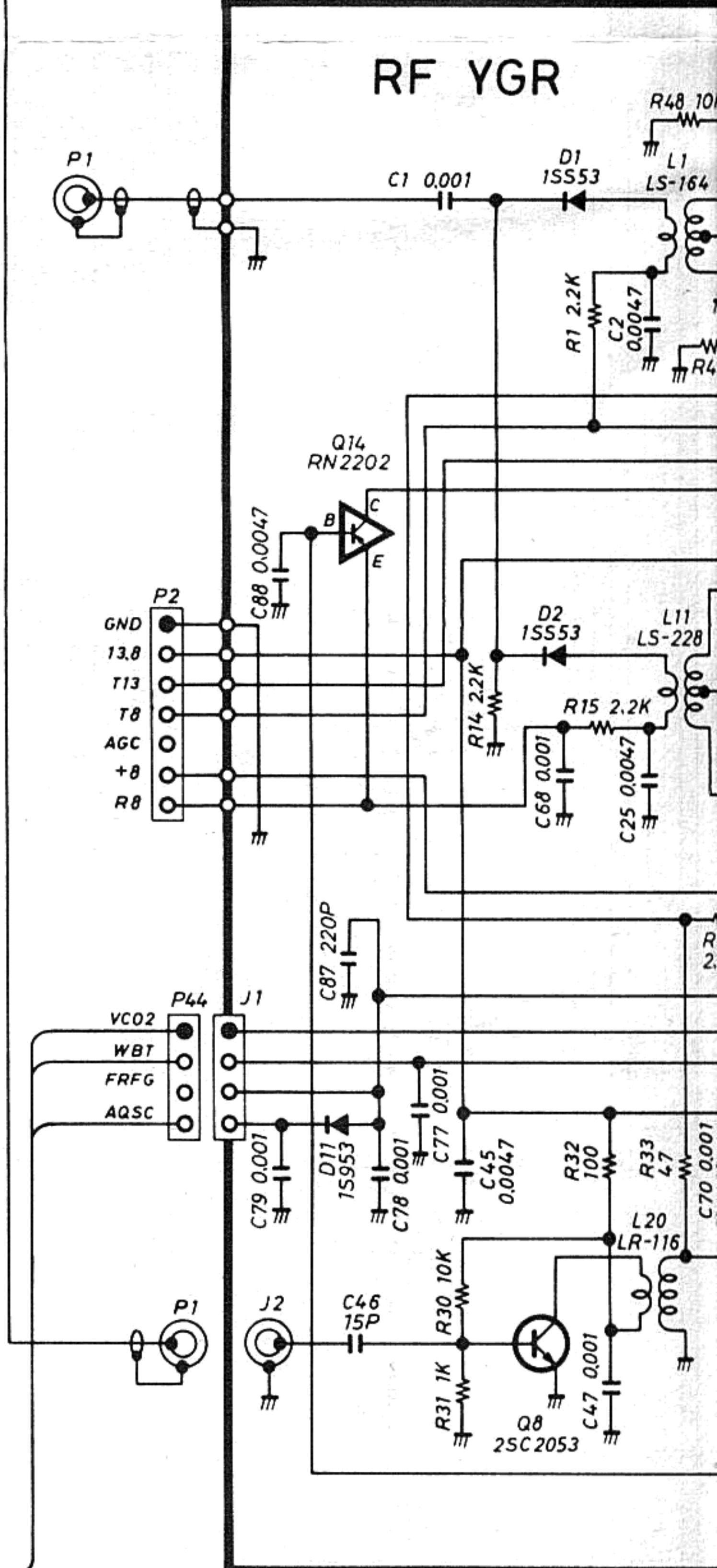




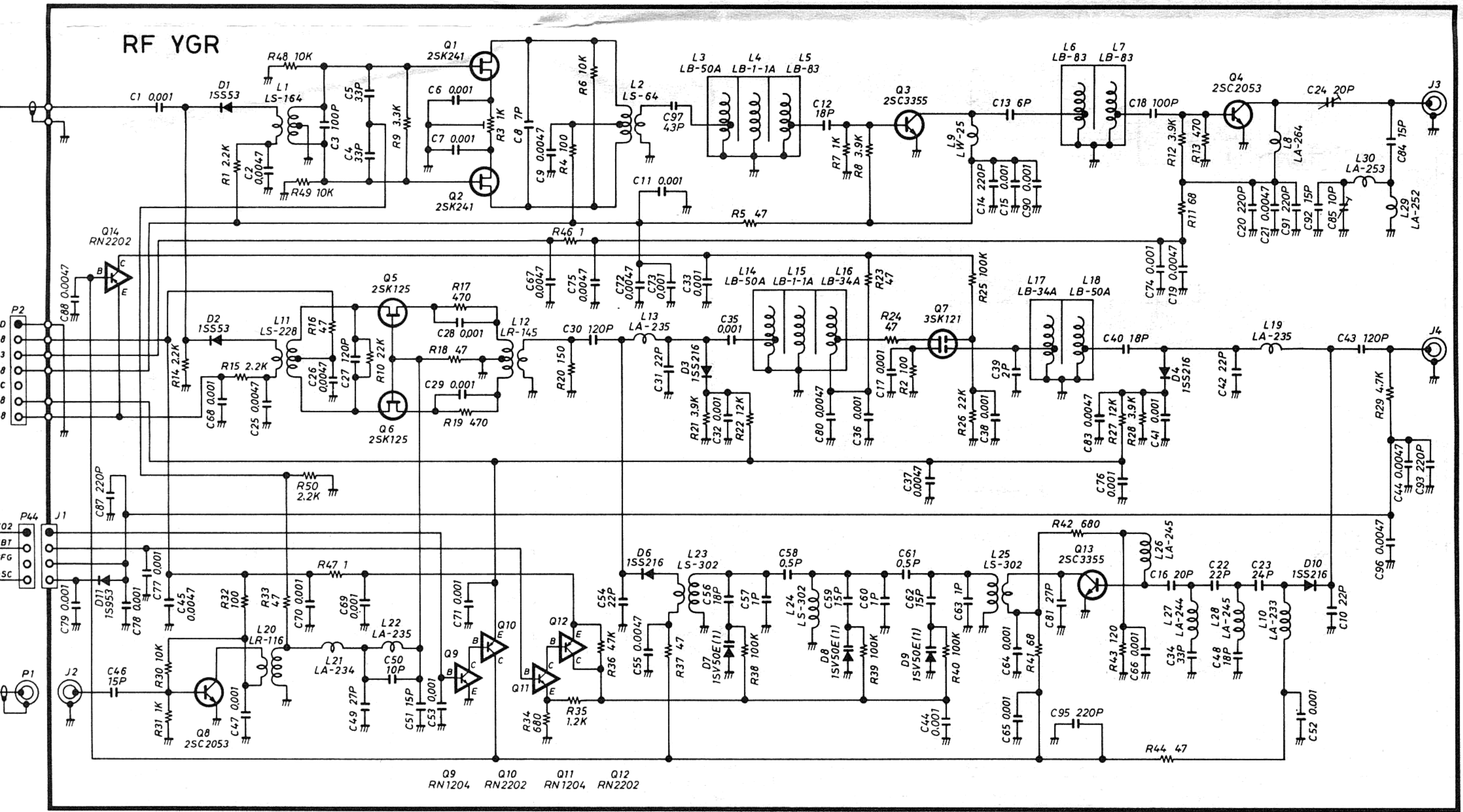
PLL



RF YGR



RF YGR



Q9 RN1204 Q10 RN2202 Q11 RN1204 Q12 RN2202