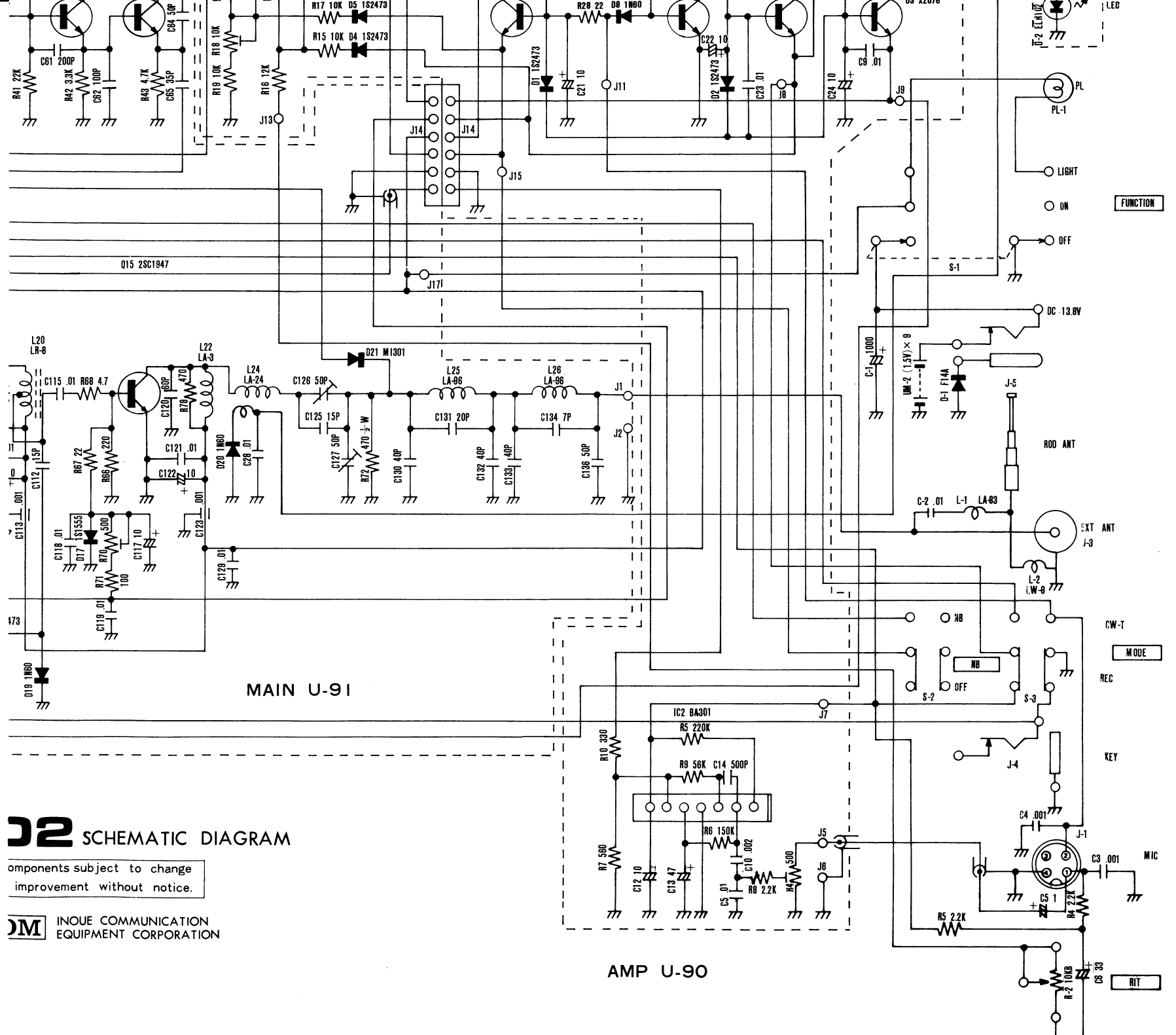


IC-50

Some c
for an





J2 SCHEMATIC DIAGRAM

Components subject to change
improvement without notice.



INOUE COMMUNICATION
EQUIPMENT CORPORATION

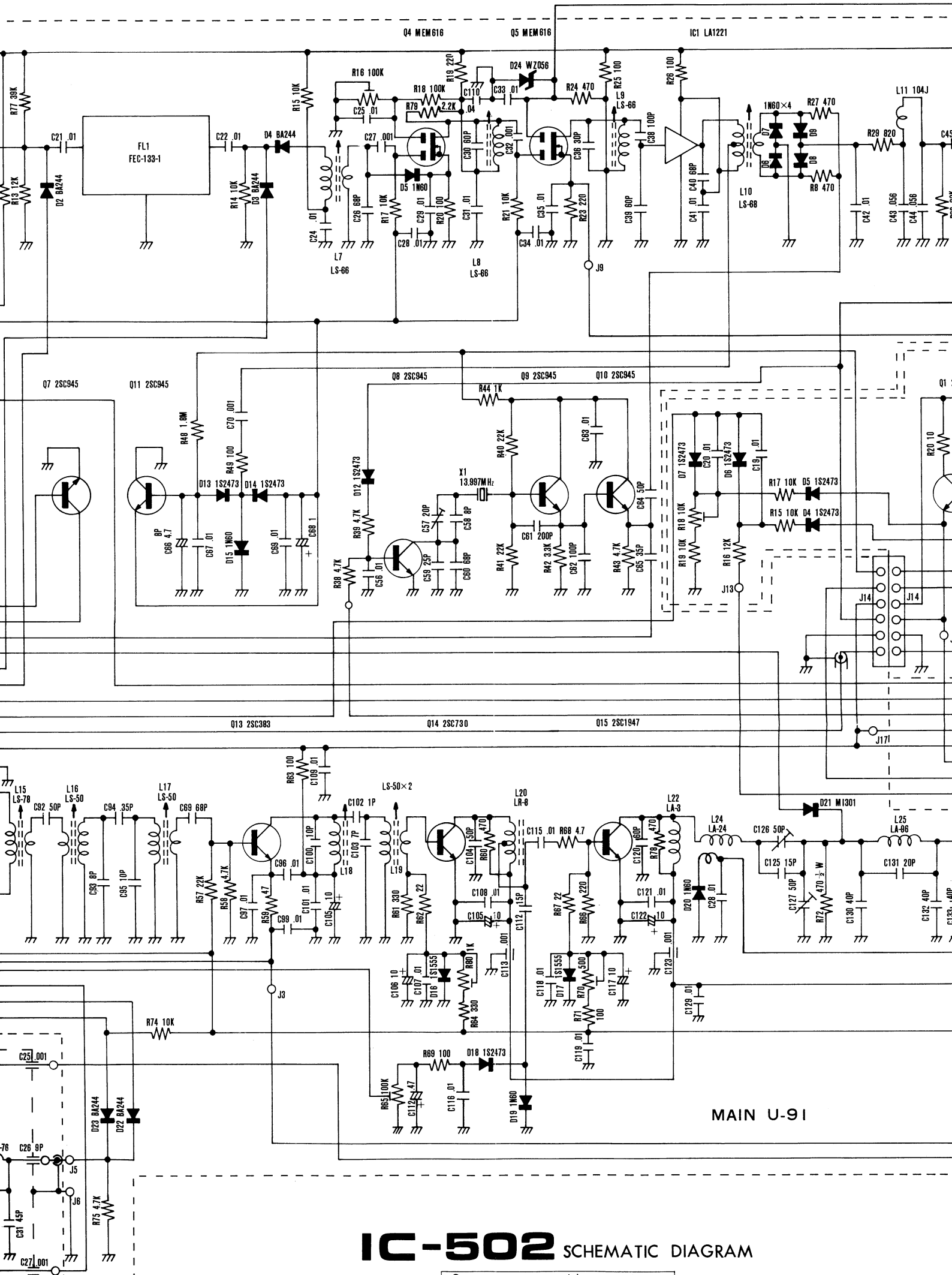
AMP U-90

MAIN U-91

FUNCTION

MODE

RIT



IC-502 SCHEMATIC DIAGRAM

Some components subject to change for an improvement without notice.