



# SERVICE MANUAL

VHF/UHF DUAL BAND FM TRANSCEIVER

**IC-T70A**  
**IC-T70E**

---

---

---

---

S-14623XZ-C1  
Feb. 2010

Icom Inc.

---

## INTRODUCTION

This service manual describes the latest technical information for the **IC-T70A** and **IC-T70E** VHF/UHF DUAL BAND FM TRANSCEIVER, at the time of publication.

To upgrade quality, any electrical or mechanical parts and internal circuits are subject to change without notice or obligation.

MODEL	VERSION	SUPPLIED BATTERY PACK	SUPPLIED CHARGER
IC-T70A	TPE	BP-264	BC-167SA
	USA		—
	KOR		—
	AUS		BC-167SV
	EXP		BC-167SA
	EXP-01		BC-167SD
IC-T70E	EUR	—	BC-167SD
	UK		—
	CHN	—	—
	RSP	BP-264	BC-167SD

### UNIT ABBREVIATIONS:

AC: ACCESSORY  
CH: CHASSIS  
M: MAIN UNIT

## ORDERING PARTS

Be sure to include the following four points when ordering replacement parts:

1. 10-digit Icom part number
2. Component name
3. Equipment model name and unit name
4. Quantity required

### <ORDER EXAMPLE>

1110007320 NJM2591V IC-T70A MAIN UNIT 2 pieces  
8310075430 3253 WINDOW PLATE IC-T70E CHASSIS 10 pieces

Addresses are provided on the inside back cover for your convenience.



## CAUTION

**NEVER** connect the transceiver to an AC outlet or to a DC power supply that uses more than the specified voltage. This will ruin the transceiver.

**DO NOT** expose the transceiver to rain, snow or any liquids.

**DO NOT** reverse the polarities of the power supply when connecting the transceiver.

**DO NOT** apply an RF signal of more than 20 dBm (100 mW) to the antenna connector. This could damage the transceiver's front-end.

## REPAIR NOTES

1. Make sure that the problem is internal before disassembling the transceiver.
2. **DO NOT** open the transceiver until the transceiver is disconnected from its power source.
3. **DO NOT** force any of the variable components. Turn them slowly and smoothly.
4. **DO NOT** short any circuits or electronic parts. An insulated tuning tool **MUST** be used for all adjustments.
5. **DO NOT** keep power ON for a long time when the transceiver is defective.
6. **DO NOT** transmit power into a Standard Signal Generator or a Sweep Generator.
7. **ALWAYS** connect a 50 dB to 60 dB attenuator between the transceiver and a Deviation Meter or Spectrum Analyzer, when using such test equipment.
8. **READ** the instructions of the test equipment thoroughly before connecting it to the transceiver.

---

## TABLE OF CONTENTS

---

**SECTION 1 SPECIFICATIONS**

**SECTION 2 INSIDE VIEWS**

**SECTION 3 DISASSEMBLY INSTRUCTION**

**SECTION 4 CIRCUIT DESCRIPITON**

4-1	RECEIVER CIRCUITS.....	4-1
4-2	TRANSMITTER CIRCUITS.....	4-2
4-3	FREQUENCY SYNTHESIZER CIRCUITS.....	4-3
4-4	CPU PORT ALLOCATION.....	4-4
4-5	VOLTAGE BLOCK DIAGRAM.....	4-4

**SECTION 5 ADJUSTMENT PROCEDURES**

5-1	PREPARATION.....	5-1
5-2	TRANSMIT ADJUSTMENTS.....	5-3
5-3	FREQUENCY ADJUSTMENTS.....	5-7
5-4	MODURATION ADJUSTMENTS.....	5-8
5-5	RECEIVE ADJUSTMENTS.....	5-11

**SECTION 6 PARTS LIST**

**SECTION 7 MECHANICAL PARTS**

**SECTION 8 BOARD LAYOUTS**

**SECTION 9 BLOCK DIAGRAM**

**SECTION 10 VOLTAGE DIAGRAM**

**P GENERAL**

- Frequency coverage : (unit: MHz)

Version	TX	RX
EUR, KOR	144-146, 430-440	144-146, 430-440
UK, RSP	144-146, 430-440	136-174* <sup>1</sup> , 400-479* <sup>2</sup>
U.S.A.	136-174* <sup>3</sup> , 400-479* <sup>4</sup>	136-174* <sup>3</sup> , 400-479* <sup>4</sup>
TPE	144-146, 430-432	144-146, 430-432
AUS	144-148, 420-450* <sup>2</sup>	136-174* <sup>3</sup> , 400-479* <sup>2</sup>
CHN, EXP	136-174* <sup>3</sup> , 400-470* <sup>2</sup>	136-174* <sup>3</sup> , 400-479* <sup>2</sup>

\*<sup>1</sup>Guaranteed 144-146 MHz only, \*<sup>2</sup>Guaranteed 430-440 MHz only,

\*<sup>3</sup>Guaranteed 144-148 MHz only, \*<sup>4</sup>Guaranteed 440-450 MHz only

- Mode : FM, FN-N
- No. of memory channels : 302  
(incl. 50 scan edges and 2 call channels)
- Usable temp. range : -20°C to +60°C; -4°F to +140°F
- Tuning steps : 5, 10, 12.5, 15, 20, 25, 30, 50, 100, 125 and 200 kHz
- Frequency stability : ±2.5 ppm (-20°C to +60°C; -4°F to +140°F)
- Power supply : 10.0-16.0 V DC for external DC power, or specified Icom's battery pack
- Current drain (at 7.2 V DC) :
  - TX High (typical) VHF 1.7 A, UHF 2.1 A
  - Mid. (typical) VHF 1.2 A, UHF 1.5 A
  - Low (typical) VHF 0.6 A, UHF 0.8 A
  - Rx Max. output Less than 450 mA (Internal speaker)  
Less than 300 mA (External speaker)
  - Power save Less than 40 mA (Duty 1:8)
  - standby Less than 90 mA
- Antenna connector : SMA (50 Ω)
- Dimensions : 58(W)×111(H)×30(D) mm;  
(projections not included) 2<sup>9</sup>/<sub>32</sub>(W)×4<sup>3</sup>/<sub>8</sub>(H)×1<sup>3</sup>/<sub>16</sub>(D) in
- Weight (approx.) : 380 g; 13.4 oz (with antenna and BP-264)

**P TRANSMITTER**

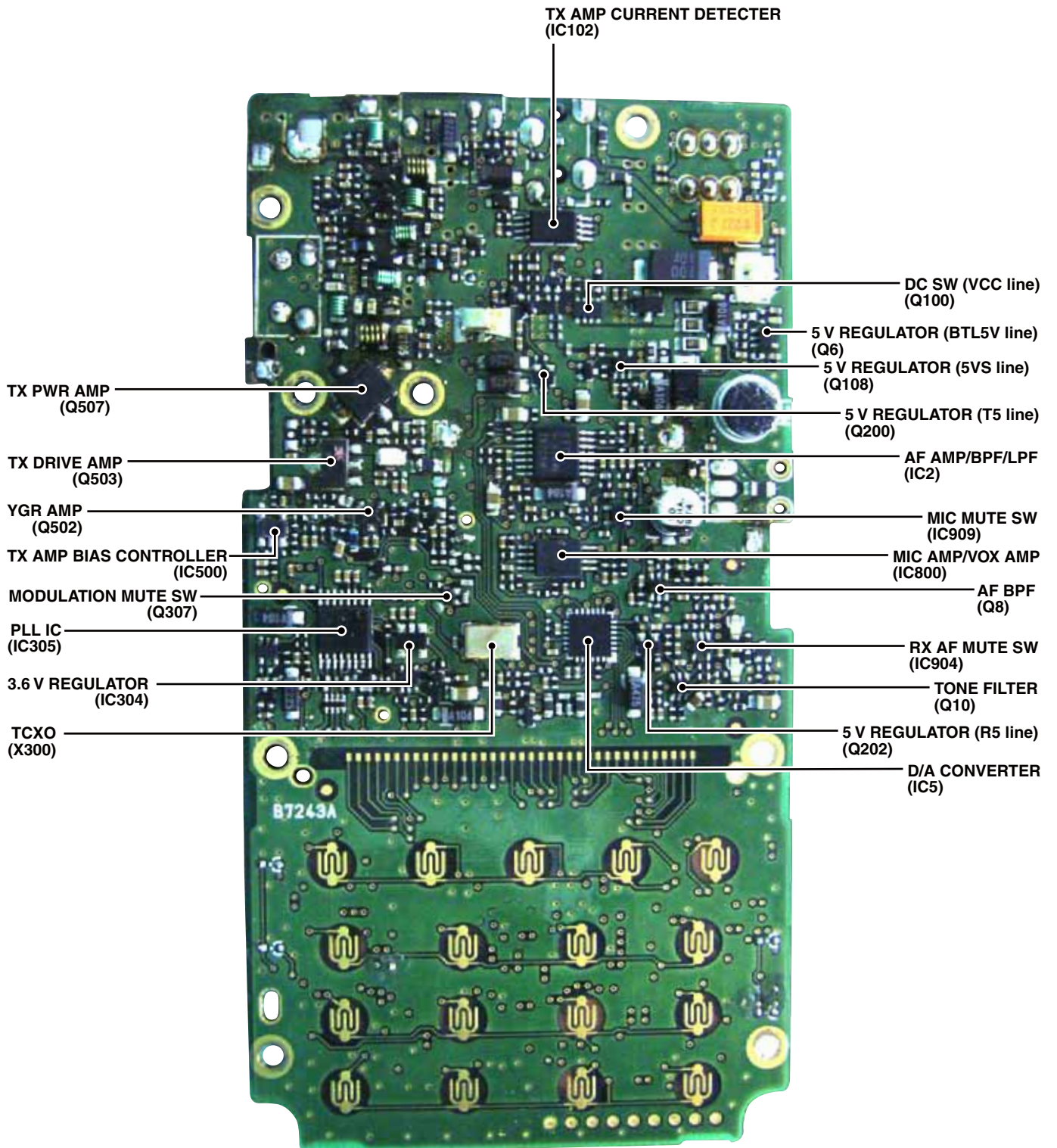
- Modulation system : Variable reactance freq. modulation
- Output power (at 7.2 V DC) : (typical)  
High 5.0 W, Mid. 2.5 W, Low 0.5 W
- Max. frequency deviation : ±5.0 kHz (FM wide: approx.)  
±2.5 kHz (FM narrow: approx.)
- Spurious emissions : Less than -60 dBc at High/Mid.  
Less than -13 dBm at Low
- Ext. mic. impedance : 2.2 kΩ

**P RECEIVER**

- Receive system : Double-conversion superheterodyne
- Intermediate frequencies : 1st 46.35 MHz, 2nd 450 kHz
- Sensitivity (except spurious points, 1 kHz/3.5 kHz Dev.; 12 dB SINAD) :  
Guaranteed freq. range Less than 0.18 μV  
Other freq. range Less than 0.32 μV
- Squelch Sensitivity (except spurious points, 1 kHz/3.5 kHz Dev.) :  
Guaranteed range Less than 0.18 μV  
Other frequency range Less than 0.32 μV
- Audio output power : (at 10% distortion/7.2 V DC)  
Internal speaker More than 700 mW with a 16 Ω load  
External speaker More than 400 mW with an 8 Ω load
- Selectivity : (at CH spacing 20 kHz/in the amateur bands)  
FM (Wide) More than 60 dB  
FM (Narrow) More than 60 dB
- Ext. speaker connector : 3-conductor 3.5(d) mm; (1/8")/8 Ω
- Spurious and image rejection ratio (in guaranteed freq. range) :  
More than 60 dB

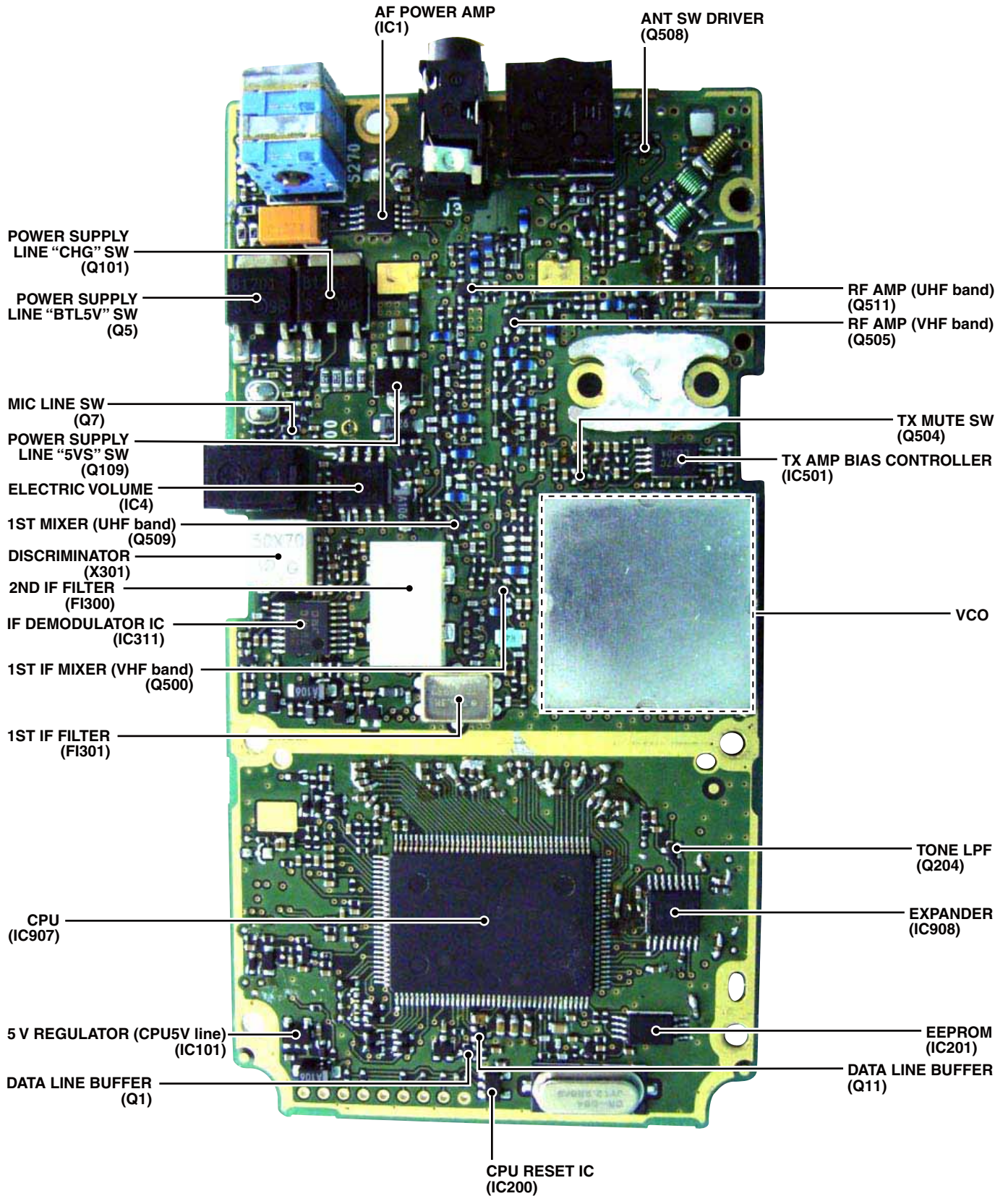
All stated specifications are subject to change without notice or obligation.

• MAIN UNIT  
(TOP VIEW)





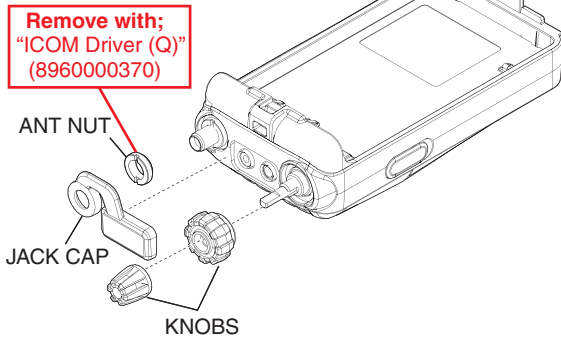
• MAIN UNIT  
(BOTTOM VIEW)



# SECTION 3 DISASSEMBLY INSTRUCTION

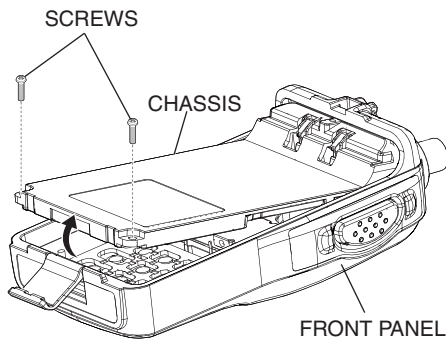
## 1. REMOVING THE CHASSIS

1) Remove the jack cap, ANT nut and 2 knobs.

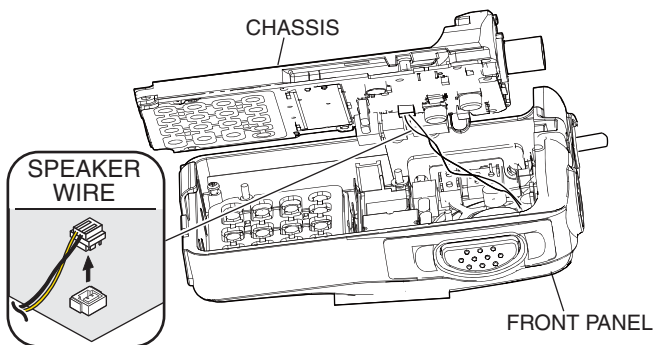


2) Remove 2 screws from the bottom of the CHASSIS.  
3) Lift the bottom of the CHASSIS up in the direction of the arrow.

**BE CAREFUL** to not pull out the **speaker wire** when separating the CHASSIS and the FRONT PANEL.



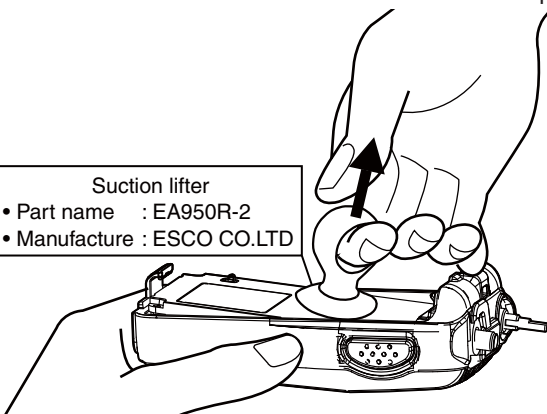
4) CAREFULLY lift the chassis out of the FRONT PANEL and turn it over in order to unplug the speaker wire.



### For easy separation of the CHASSIS

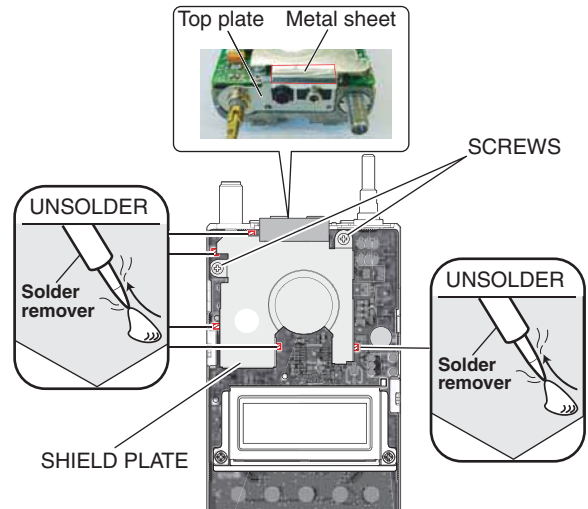
Use a suction lifter to lift the bottom of the CHASSIS up.

Suction lifter  
• Part name : EA950R-2  
• Manufacture : ESCO CO.LTD

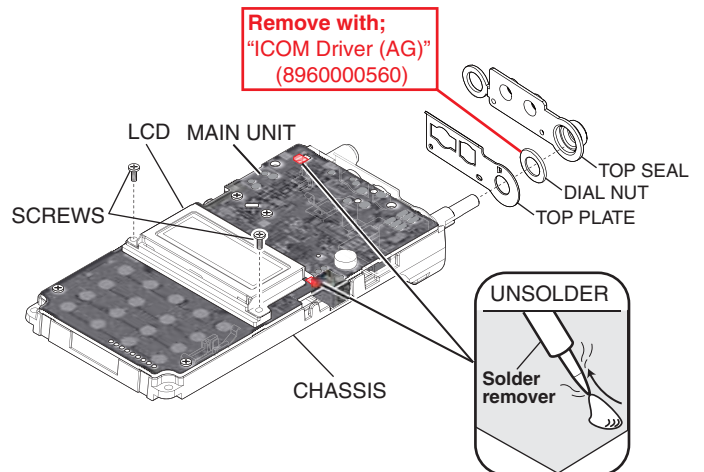


## 2. REMOVING THE MAIN UNIT

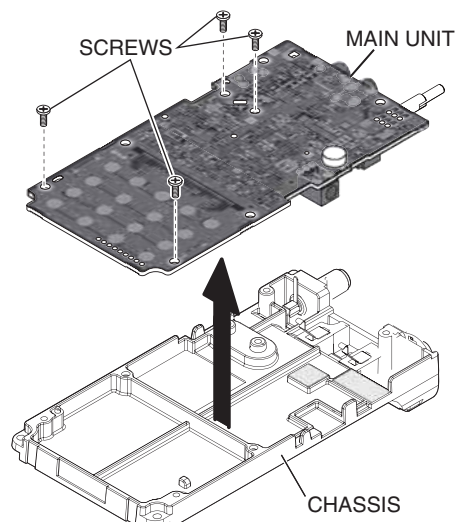
1) Remove the metal sheet from the top plate.  
2) Unsolder the 5 points, and remove the shield plate.



3) Remove the 2 screws from the MAIN UNIT.  
4) Remove the top seal, dial nut and top plate from the chassis.  
5) Unsolder the 2 points.



6) Remove the 4 screws, and remove the MAIN UNIT from the chassis.



## 4-1 RECEIVER CIRCUITS

### DUPLEXER

The VHF/UHF RX signal from the antenna is separated by frequency in the duplexer. The VHF signal is passed through the LPF, which eliminates the unwanted VHF and above frequencies, and the UHF signal is passed through the HPF, which eliminates the frequencies below UHF.

### RF CIRCUITS

#### • VHF BAND

The VHF RX signal from the duplexer is passed through the LPF, ANT SW (D509–D511) and BPF, and then applied to the low-noise RF AMP (Q505). The amplified signal is filtered by the 3-stage tuned BPF (D502–D504) to thoroughly eliminate unwanted frequencies. (e.g. the image frequencies, etc.). The filtered RX signal is then applied to the 1st IF circuits.

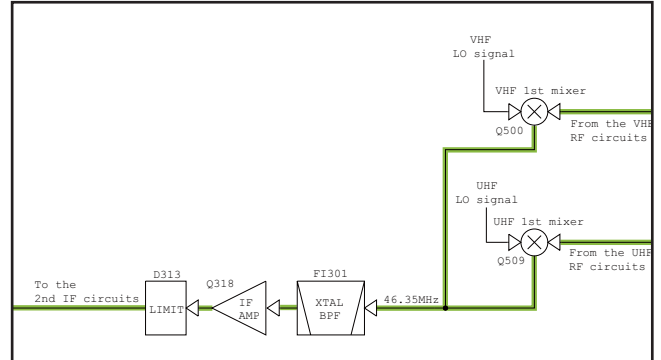
#### • UHF BAND

The UHF RX signal from the duplexer is passed through two LPFs, ANT SW (D506, D524) and tuned BPF (D523), and then applied to the low-noise RF AMP (Q511). The amplified signal is filtered by the tuned BPF (D512, D515, D519) to thoroughly eliminate unwanted frequencies. The filtered RX signal is then applied to the 1st IF circuits.

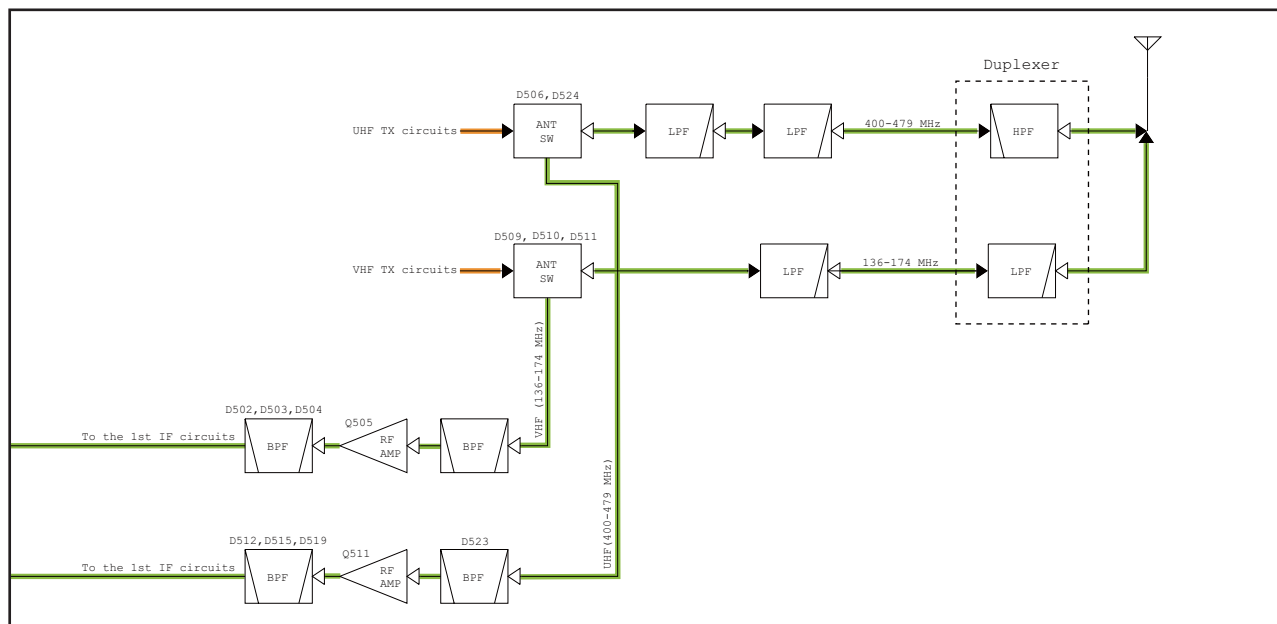
### 1ST IF CIRCUITS

The signal from the RF circuits is applied to the 1st IF mixer (VHF band; Q500/UHF band; Q509) and mixed with the 1st LO signal from the VHF/UHF VCO, resulting in the 46.35 MHz 1st IF signal. The 1st IF signal is filtered by the crystal filter (FI301), amplified by the 1st IF AMP (Q318), and then applied to the 2nd IF circuits through the limiter (D313).

#### • 1ST IF CIRCUITS



#### • DUPLEXER AND RF CIRCUITS





## 2ND IF AND DEMODULATOR CIRCUITS

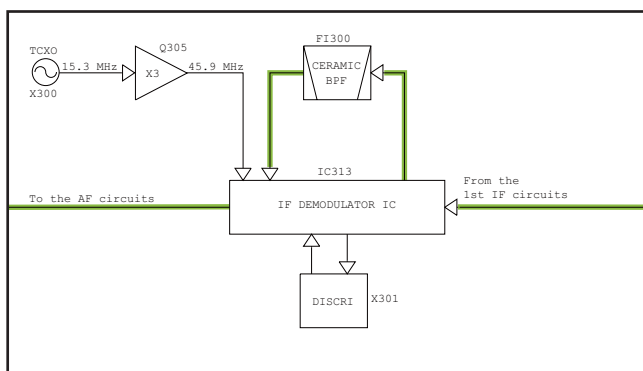
The signal from the 1st IF circuits is applied to the IF demodulator IC (IC313), which contains the 2nd IF mixer, 2nd IF AMP, FM detector, etc. in its package.

The 1st IF signal is applied to the 2nd IF mixer and mixed with the 2nd LO signal, resulting in the 450 kHz 2nd IF signal. The 2nd LO signal is produced by tripling the 15.3 MHz reference frequency signal that is generated by the reference frequency oscillator (TCXO; X300).

The 2nd IF signal is filtered by the crystal filter (F1300) to eliminate unwanted signals, and amplified by the 2nd IF AMP, and then demodulated by the quadrature detector circuit, which employs a discriminator (X301) as the phase shifter.

The demodulated AF signal is applied to the RX AF circuits.

### • 2ND IF CIRCUITS

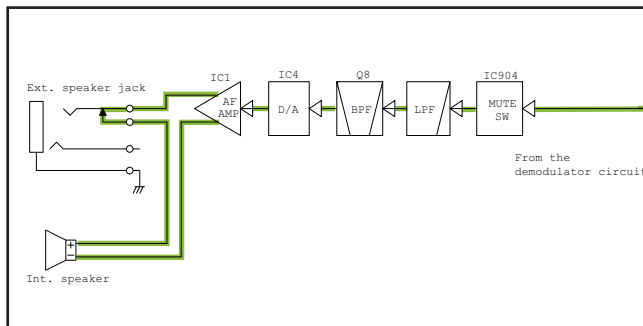


## RX AF CIRCUITS

The demodulated AF signal from the IF demodulator IC (IC313) is passed through the mute SW (IC904), LPF and AF filter (Q8), which de-emphasizes the signal to obtain -6 dB/oct of frequency response. The de-emphasized AF signal is adjusted in level by the D/A converter (IC4), and then applied to the AF power AMP (IC1) to obtain the AF output signal.

The amplified AF signal is applied to the internal or external speaker.

### • RX AF CIRCUITS



## 4-2 TRANSMITTER CIRCUITS

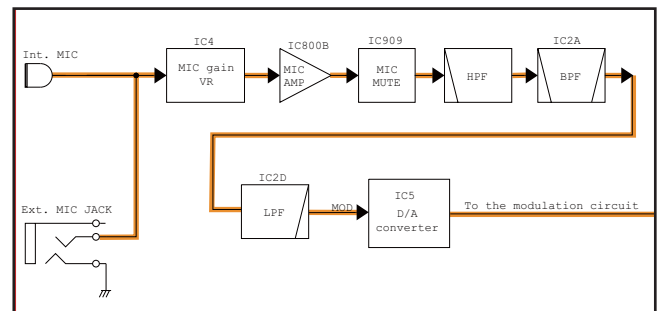
### TX AF CIRCUITS

The audio signal from the internal or external microphone (MIC signal) is passed through the MIC gain VR (IC4) which adjusts the microphone sensitivity, and then applied to the MIC AMP (IC800B).

The amplified MIC signal is passed through the MIC mute SW (IC909), HPF, BPF (IC2A) and LPF (IC2D). The filtered MIC signal is applied to the D/A converter (IC5) to be adjusted in level (=deviation).

The level-adjusted MIC signal is applied to the modulation circuit as the modulation signal.

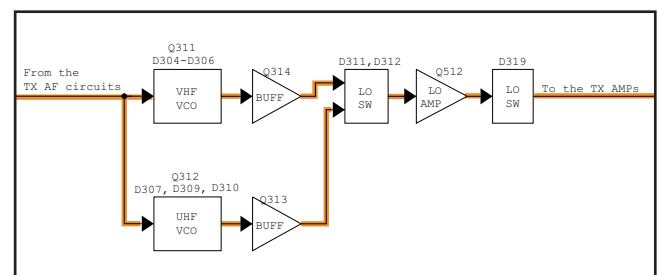
### • TX AF CIRCUITS



### MODULATION CIRCUIT

The modulation signal from the TX AF circuits is applied to both of the VHF/UHF VCOs and to the reference oscillator (X300), to frequency-modulate it. The frequency-modulated signal from the VHF/UHF VCOs is applied to the TX AMP circuits through the buffer (Q314/Q313), LO SW (D311/D312), LO AMP (Q512) and another LO SW (D319), as the TX signal.

### • MODULATION CIRCUITS



**TRANSMIT AMPLIFIERS**

The TX signal from the LO SW (D319) is passed through the attenuator (D500 and D501), which continuously adjusts the TX signal in level to keep it constant. The level-adjusted signal is amplified by the YGR AMP (Q502), drive AMP (Q503) and power AMP (Q507) in sequence.

The gate voltage of the drive AMP (Q503) is adjusted by the TX power reference voltage from the D/A converter (IC5), depending on the TX power.

The output signal of the power AMP (Q507) is passed through one of the following paths, depending on it's frequency.

**• VHF BAND**

The TX signal is passed through the LPFs and ANT SW (D509–D511), before being fed to the antenna.

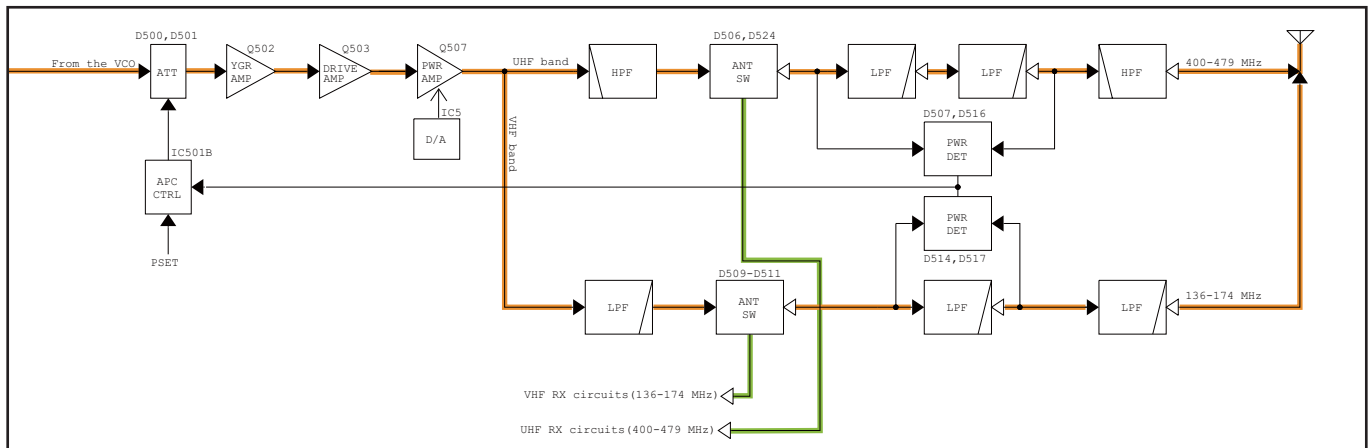
**• UHF BAND**

The TX signal is passed through the HPFs, ANT SW (D506, D524) and the LPFs, before being fed to the antenna.

**APC CIRCUIT**

The TX power detector circuits (VHF band: D514 and D517/ UHF band: D507 and D516) rectify a portion of the TX signal to direct current, and the APC AMP (IC501B) compares the voltage and the TX power control reference voltage, "PSET." The resulting voltage controls the attenuation level of the attenuator (D500 and D501) to keep the TX power constant.

**• TX AMPLIFIERS**



**4-3 FREQUENCY SYNTHESIZER CIRCUITS**  
**VCO**

**• VHF VCO**

The VHF VCO is composed of Q311, D304–D306, and generates both the TX signal and RX 1st LO signals. This VCO is frequency-modulated by applying the modulation signal to D306.

During receive, the output signal is passed through the buffer AMP (Q314) and LO SW (D311), and then applied to the LO AMP (Q512). The amplified signal is passed through another LO SW (D314), attenuator and LPF, and then applied to the VHF band 1st IF mixer (Q500).

During transmit, the output signal is applied to the TX AMP circuits through the buffer (Q314), LO SW (D311) and LO AMP (Q512).

**PLL**

A portion of generated signal from each VCO is amplified by the buffer (Q313/Q314), and then fed back to the PLL IC (IC305) through the buffer (Q310) and LPF.

The applied VCO output signal is divided and phase-compared with a 15.3 MHz reference frequency signal from the TCXO (X300), which is also divided. The resulting signal is output from the PLL IC through the internal charge pump, and DC-converted by the loop filter, and then applied to the VCO as the lock voltage which controls the oscillation frequency of the VCOs.

When the oscillation frequency drifts, its phase changes from that of the reference frequency, causing a lock voltage change to compensate for the drift in the VCO oscillating frequency.

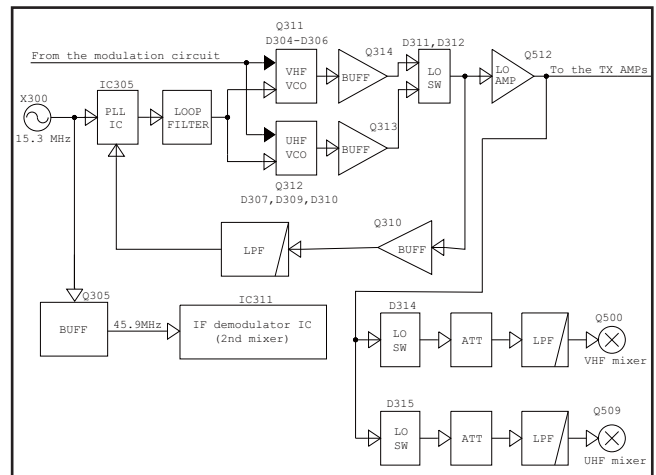
**• UHF VCO**

The UHF VCO is composed of Q312, D307, D309 and D310, and generates both the TX signal and RX 1st LO signals. This VCO is frequency-modulated by applying the modulation signal to D307.

During receive, the output signal is passed through the buffer AMP (Q313) and LO SW (D312), and then applied to the LO AMP (Q512). The amplified signal is passed through another LO SW (D315), attenuator and LPF, and then applied to the UHF band 1st IF mixer (Q509).

During transmit, the output signal is applied to the TX AMP circuits through the buffer (Q313), LO SW (D312) and LO AMP (Q512).

**• FREQUENCY SYNTHESIZER CIRCUITS**



### 4-4 CPU PORT ALLOCATION

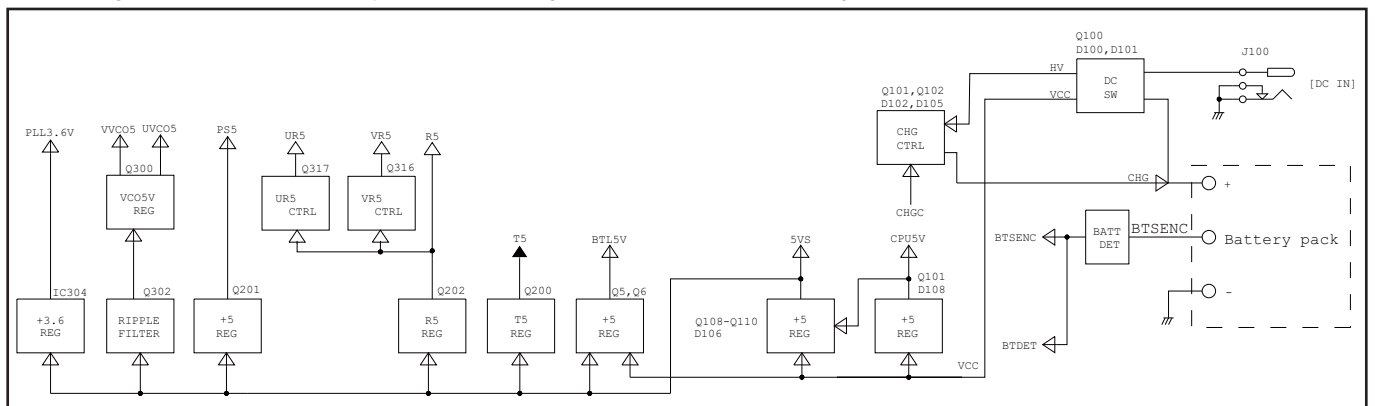
Pin No.	LINE NAME	DESCRIPTION	I/O
1	PWRSW	[POWER ] input. L=Pushed.	I
2-5	KS3-KS0	Key matrix.	O
6-9	KR3-KR0		I
12	CSHIFT	CPU clock frequency shift. H=Clock frequency is shifted.	O
15	PCON	Main power supply line "VCC" control. H=The transceiver's power is ON.	O
16	LIGHT	LED backlight control. L=The backlight is ON.	O
17	CHGC	Charger circuit control. H=While charging.	O
18	VOLCK	D/A converter serial clock.	O
19	VOLDA	D/A converter serial data.	O
27	UNLOCK	PLL unlock detection. H=The PLL is unlocked.	I
28	EXTPTT	External [PTT] input. H=Pushed.	I
37	INTPTT	Internal [PTT] input. L=Pushed.	I
38	ESIO	EEPROM serial data.	I/O
39	ECK	EEPROM serial clock.	O
40	PLLDATA	PLL IC serial data.	O
41	PLLCK	PLL IC serial clock.	O
42	PLLSTB	PLL IC strobe.	O
43	PPS	PLL IC power saving mode control. H=Power saving mode.	O
44	DACLK	D/A converter serial clock.	O
45	DADI	D/A converter serial data.	O
46	DALD	D/A converter strobe.	O
47	R5C	RX power supply line "R5" control. L=During receive.	O
48	T5C	TX power supply line "T5" control. H=During transmit.	O
49	IOSTB	Expander strobe.	O
50	IOEN	Expander chip enable. H=Output enable.	O
51	PS5C	Power supply line "PS5" control. L=The transceiver's power is ON and in the power saving mode.	O
52	INTMIC	MIC line switch (Q7) control. H=Internal MIC is used.	O
53	PLL SW	PLL IC loop filter switching. L=The PLL lockup time is set to short.	O

Pin No.	LINE NAME	DESCRIPTION	I/O
54	DETMUTE	RX AF line switch (IC904) control. L=AF mute (The quelch is closed).	O
56	TXMUTE	Transmission mute. L=TX mute.	O
57	MMUTE	MIC mute switch (IC909) control. L=While DTMF or 1750 Hz tone is transmitted.	O
58	SQLSW	Noise filter select. L=The narrow FM mode is selected.	O
98	CTCSS	Outputs CTCSS/DTCS signals.	O
99	DTMF	• During transmit, outputs DTMF/ 1750 Hz tone signals. • During receive, outputs beep sounds (Square waves)	O
104	VOX	Microphone input sensing voltage.	I
105	BTVIN	Battery voltage.	I
106	VIN	External power source voltage.	I
107	BTSENC	Battery type detection.	I
108	RXTEMP	Temperature sensing voltage. (For Receiving)	I
109	TXTEMP	Temperature sensing voltage. (For Transmitting)	I
110	REMOTE	External equipment connection detection.	I
111	RTONE*	Weather alert signal decoding input.	I
112	CTCIN	Tone signals (CTCSS, DTCS, DTMF and 1750 Hz tone) decoding input.	I
113	SD	RSSI voltage from the IF demodulator IC (IC313).	I
114	TXI-V	TX current sensing voltage.	I
115	AFSTBY	AF power AMP control. H=AF power AMP (IC1) is activated.	O
116	DIUD2	[DIAL] input. (phase A)	I
117	NOISE	Noise level detection.	I
118	DICK2	[DIAL] input. (phase B)	I
119	BTDET	Battery pack attachment detection. L=The battery pack (BP-264, BP-265) is attached.	I
120	DCIN	External power source connectinon detection. L=An external power source is connected.	I
121	DIUD	[VOL] input. (phase A)	I
122	DICK	[VOL] input. (phase B)	I
125	KS4	Key matrix.	O

\*; Only for the U.S.A. version transceiver.

### 4-5 VOLTAGE BLOCK DIAGRAM

Voltage from the power supply is routed throughout the transceiver via regulators and switches.



# SECTION 5. ADJUSTMENT PROCEDURE

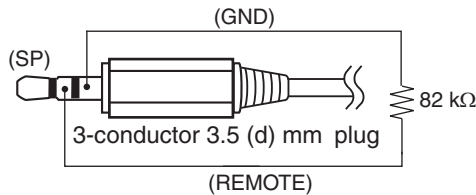
## 5-1 PREPARATION

### ☒ REQUIRED EQUIPMENTS

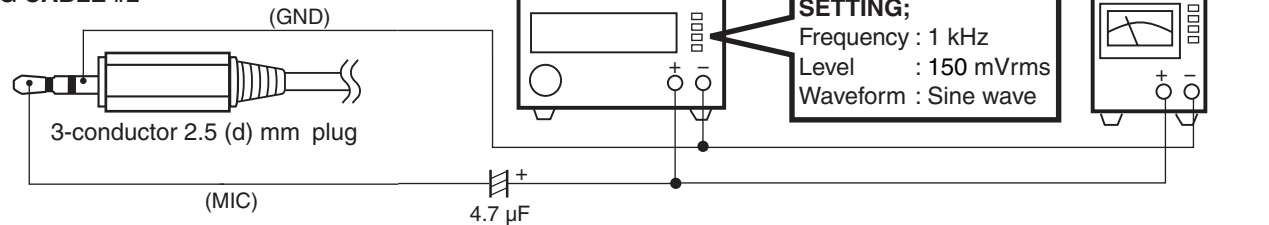
EQUIPMENT	GRADE AND RANGE	EQUIPMENT	GRADE AND RANGE
DC cable	OPC-254L (Optional product)	JIG cable	See the page 5-1.
RF power meter (50 Ω terminated)	Measuring range : 0.1–10 W Frequency range : 100–600 MHz SWR : Less than 1.2 : 1	Frequency counter	Frequency range : 0.1–600 MHz Frequency accuracy : ±1 ppm or better Input level : Less than 1 mW
Modulation analyzer	Frequency range : 30–600 MHz Measuring range : 0 to ±10 kHz	Standard signal generator (SSG)	Frequency range : 0.1–600 MHz Output level : –20 dBμ to 90 dBμ (–127 to –17 dBm)
AC millivoltmeter	Measuring range : 10 mV to 10 V		
Ammeter	Measuring range : 10 mA to 3 A	Attenuator	Power attenuation : 30 dB Capacity : More than 6.0 W
Audio generator (AG)	Frequency range : 300–3000 Hz Output level : 1–500 mV	Voltage meter	Measuring range : 5–20 V

### ☒ JIG CABLES

#### • JIG CABLE #1

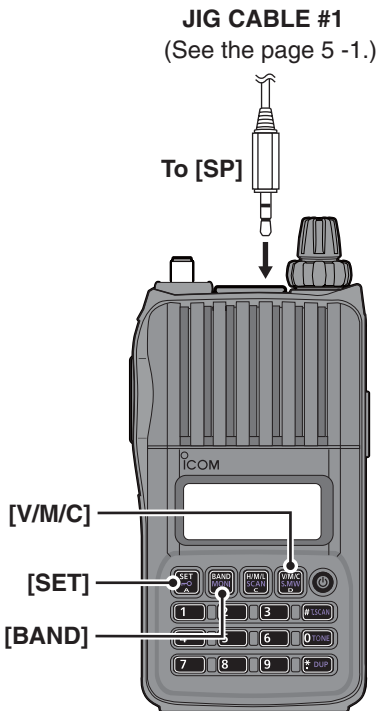


#### • JIG CABLE #2

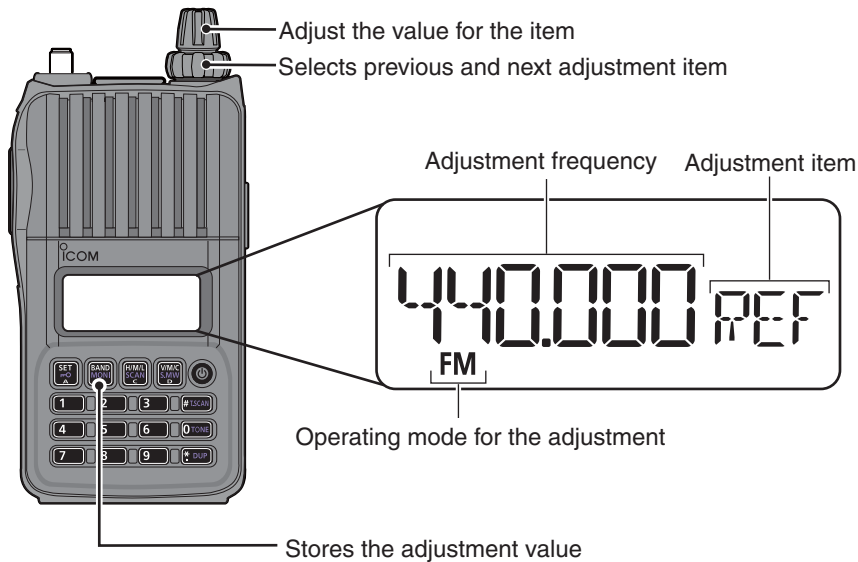


## ✕ ENTERING ADJUSTMENT MODE

- 1) Turn the transceiver's power OFF.
- 2) Connect the JIG cable "#1" (See the page 5-1) to the [SP] jack.
- 3) While pushing [SET], [BAND] and [V/M/C], turn the transceiver's power ON.



## ✕ KEY ASSIGNMENTS FOR THE ADJUSTMENT MODE





## ✕ QUITTING ADJUSTMENT MODE

- 1) Turn the transceiver's power OFF.
- 2) Disconnect the JIG cable, then turn the transceiver's power ON.



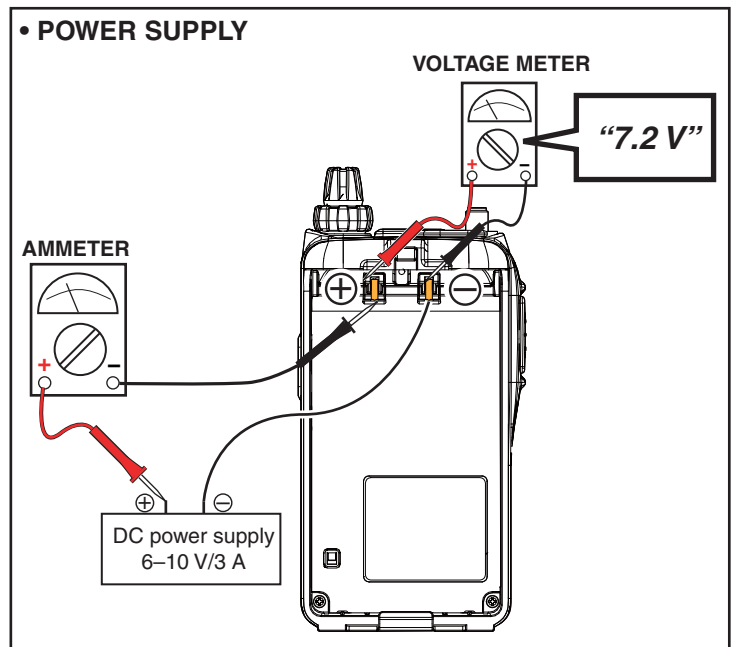
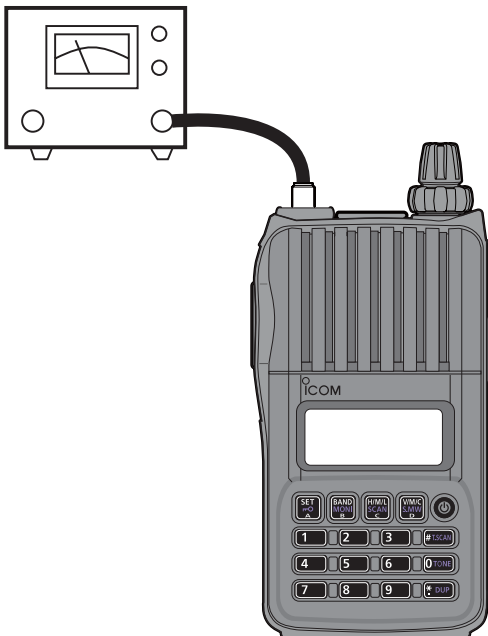
## 5-2 TRANSMIT ADJUSTMENTS

- 1) Select an adjustment item using [VOL].
- 2) Set or modify the adjustment value as specified using [DIAL], then push [BAND] to store the adjustment value.

ADJUSTMENT	TRANSCEIVER'S CONDITION	OPERATION	ADJUSTMENT ITEM	VALUE
<b>TX DRIVE AMP IDLING CURRENT (at 7.2 V) VHF</b> [High power] ----- [Middle power] ----- [Low power]	1 • Frequency: Displayed • Transmitting	1) Connect an RF power meter to the antenna connector. 2) Connect an ammeter between the power supply and the transceiver.		150–190 mA
	2 • Transmitting			
	3 • Transmitting			
	4 • Transmitting			230–270 mA
	5 • Transmitting			
	6 • Transmitting			
<b>TX FINAL AMP IDLING CURRENT (at 7.2 V) VHF</b> [High power] ----- [Middle power] ----- [Low power]	1 • Frequency: Displayed • Transmitting	1) Connect an RF power meter to the antenna connector. 2) Connect an ammeter between the power supply and the transceiver.		1.05–1.15 A
	2 • Transmitting			
	3 • Transmitting			0.55–0.65 A
	4 • Transmitting			
	5 • Transmitting			0.15–0.25 A
	6 • Transmitting			

### ☒ CONNECTION

RF POWER METER  
(10 W/50 Ω)



## 5-2 TRANSMIT ADJUSTMENTS (Continued)

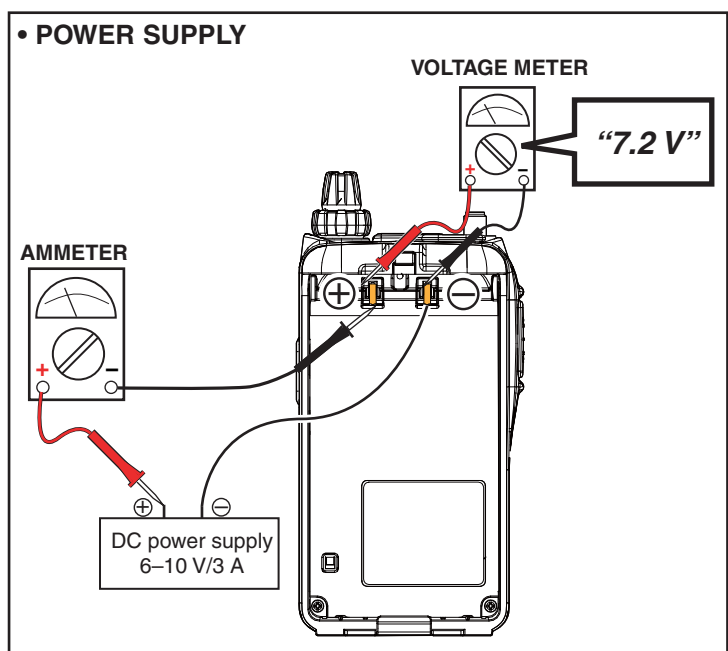
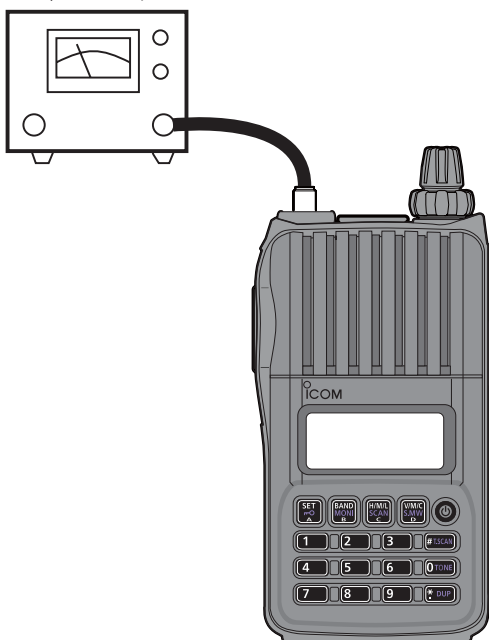
1) Select an adjustment item using [VOL].

2) Set or modify the adjustment value as specified using [DIAL], then push [BAND] to store the adjustment value.

ADJUSTMENT	TRANSCIVER'S CONDITION	OPERATION	ADJUSTMENT ITEM	VALUE
<b>TX OUTPUT POWER (at 7.2 V)</b> [High power] VHF (Low band)	1 • Frequency: Displayed • Transmitting	• Connect an RF power meter to the antenna connector.	P07	4.8–5.2 W
VHF (High band)	2 • Frequency: Displayed • Transmitting			
UHF (Low band)	3 • Frequency: Displayed • Transmitting			
UHF (High band)	4 • Frequency: Displayed • Transmitting			
[Middle power] VHF (Low band)	5 • Frequency: Displayed • Transmitting			2.3–2.7 W
VHF (High band)	6 • Frequency: Displayed • Transmitting			
UHF (Low band)	7 • Frequency: Displayed • Transmitting			
UHF (High band)	8 • Frequency: Displayed • Transmitting			
[Low power] VHF (Low band)	9 • Frequency: Displayed • Transmitting			0.4–0.6 W
VHF (High band)	10 • Frequency: Displayed • Transmitting			
UHF (Low band)	11 • Frequency: Displayed • Transmitting			
UHF (High band)	12 • Frequency: Displayed • Transmitting			

### ☒ CONNECTION

RF POWER METER  
(10 W/50 Ω)



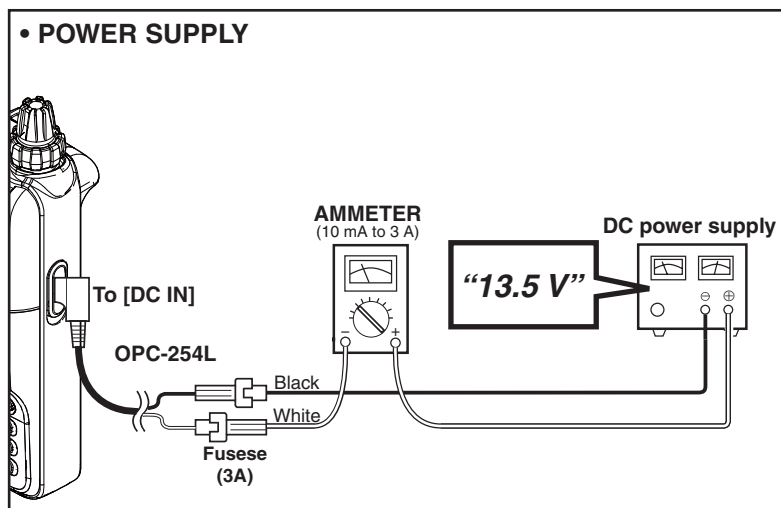
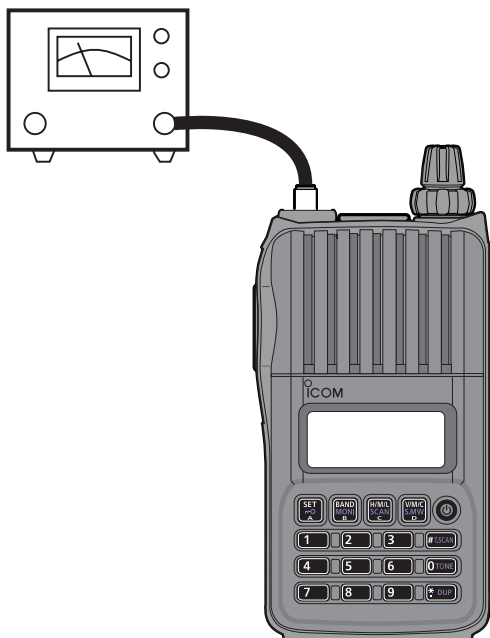
## 5-2 TRANSMIT ADJUSTMENTS (Continued)

- 1) Select an adjustment item using [VOL].
- 2) Set or modify the adjustment value as specified using [DIAL], then push [BAND] to store the adjustment value.

ADJUSTMENT	TRANSCEIVER'S CONDITION	OPERATION	ADJUSTMENT ITEM	VALUE
<b>TX DRIVE AMP IDLING CURRENT (at 13.5 V)</b> VHF (High power)	1 • Frequency: Displayed • Transmitting	1) Connect an RF power meter to the antenna connector. 2) Connect a multimeter between the external power supply and the transceiver.	W I	150–190 mA
VHF (Middle power)	2 • Transmitting			
VHF (Low power)	3 • Transmitting			
UHF (High power)	4 • Transmitting			
UHF (Middle power)	5 • Transmitting			
UHF (Low power)	6 • Transmitting			
<b>TX FINAL AMP IDLING CURRENT (at 13.5 V)</b> VHF (High power)	1 • Frequency: Displayed • Transmitting	1) Connect an RF power meter to the antenna connector. 2) Connect a multimeter between the external power supply and the transceiver.	P I	750–850 mA
VHF (Middle power)	2 • Transmitting			450–550 mA
VHF (Low power)	3 • Transmitting			150–250 mA
UHF (High power)	4 • Transmitting			750–850 mA
UHF (Middle power)	5 • Transmitting			450–550 mA
UHF (Low power)	6 • Transmitting			150–250 mA

### ☒ CONNECTION

RF POWER METER  
(10 W/50 Ω)



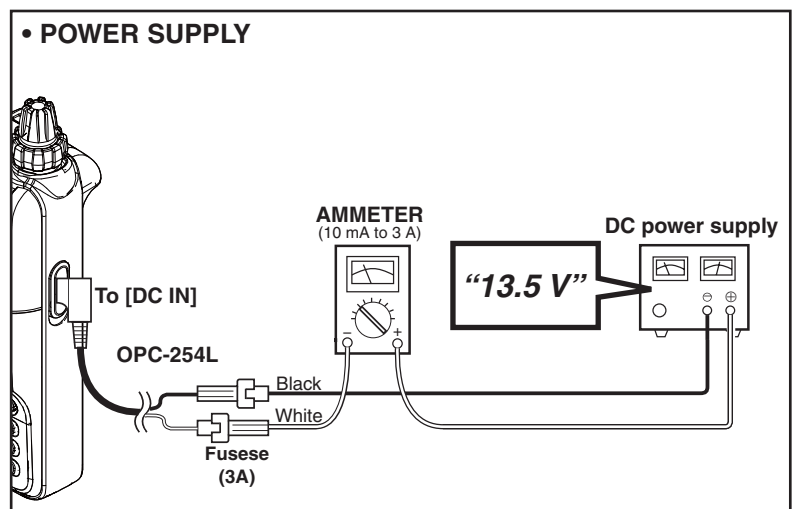
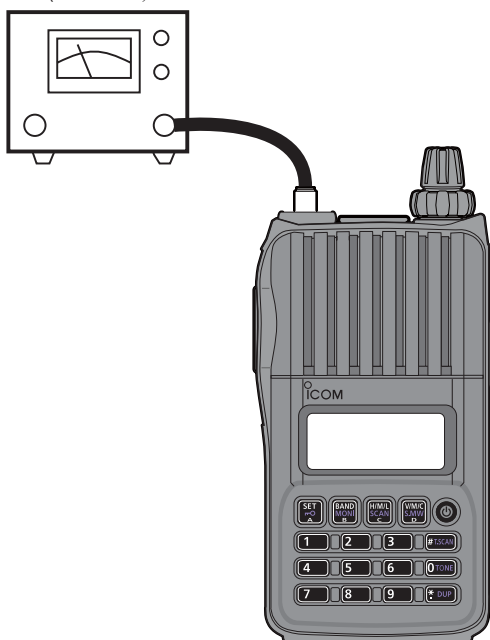
## 5-2 TRANSMIT ADJUSTMENTS (Continued)

- 1) Select an adjustment item using [VOL].
- 2) Set or modify the adjustment value as specified using [DIAL], then push [BAND] to store the adjustment value.

ADJUSTMENT	TRANSCIVER'S CONDITION	OPERATION	ADJUSTMENT ITEM	VALUE
<b>TX OUTPUT POWER (at 13.5 V)</b> [High power] VHF (Low band)	1 • Frequency: Displayed • Transmitting	• Connect an RF power meter to the antenna connector.	<b>PO 1</b>	4.8–5.2 W
VHF (High band)	2 • Transmitting			2.3–2.7 W
UHF (Low band)	3 • Transmitting			
UHF (High band)	4 • Transmitting			
[Middle power] VHF (Low band)	5 • Transmitting			
VHF (High band)	6 • Transmitting			
UHF (Low band)	7 • Transmitting			
UHF (High band)	8 • Transmitting			0.4–0.6 W
[Low power] VHF (Low band)	9 • Transmitting			
VHF (High band)	10 • Transmitting			
UHF (Low band)	11 • Transmitting			
UHF (High band)	12 • Transmitting			

## ☒ CONNECTION

**RF POWER METER**  
(10 W/50 Ω)

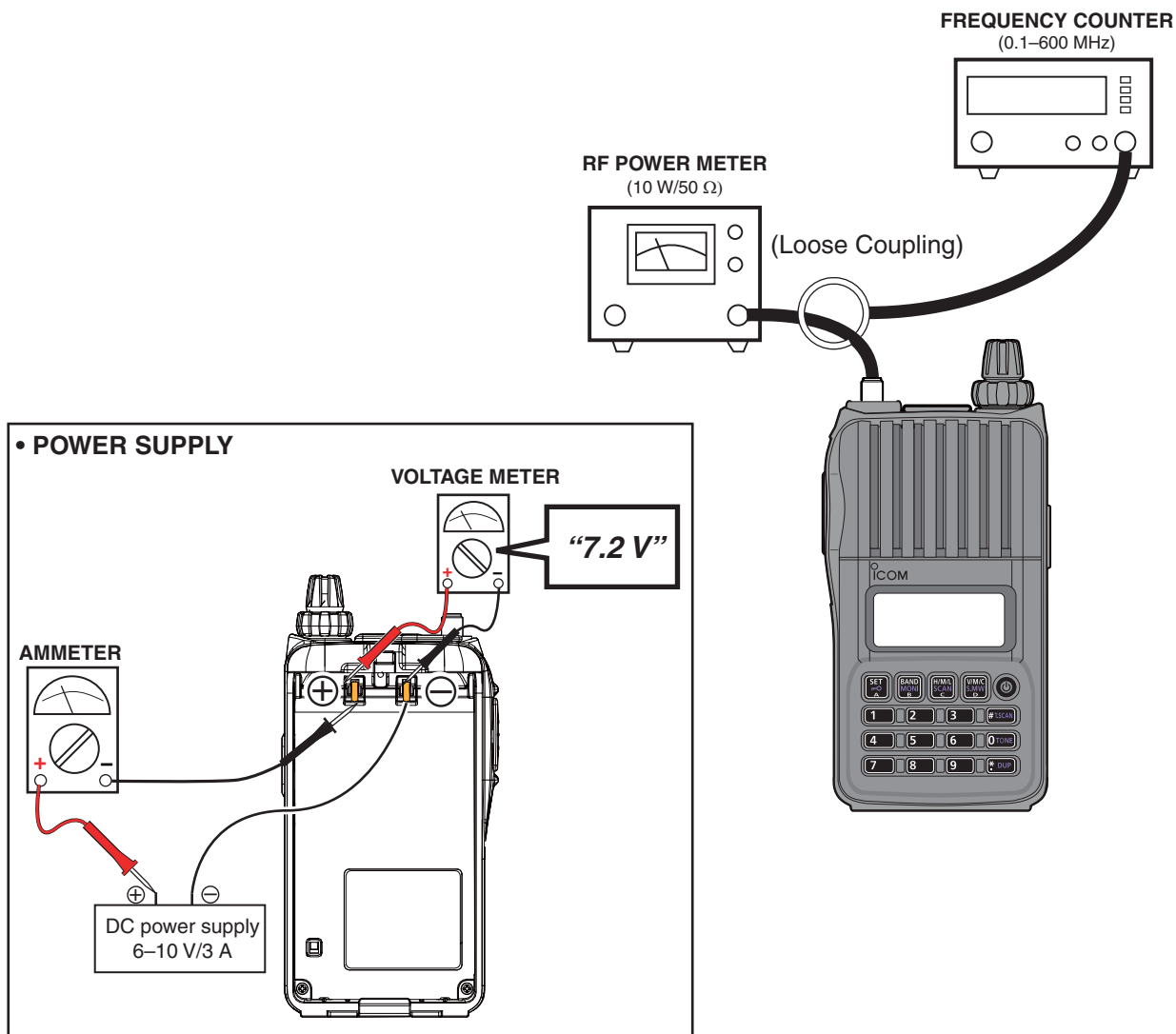


### 5-3 FREQUENCY ADJUSTMENTS

- 1) Select an adjustment item using [VOL].
- 2) Set or modify the adjustment value as specified using [DIAL], then push [BAND] to store the adjustment value.

ADJUSTMENT	TRANSCEIVER'S CONDITION	OPERATION	ADJUSTMENT ITEM	VALUE
REFERENCE FREQUENCY	1 <ul style="list-style-type: none"> <li>• Frequency: Displayed</li> <li>• Transmitting</li> </ul>	<ul style="list-style-type: none"> <li>• Loosely couple a frequency counter to the antenna connector.</li> </ul>	REF	Displayed frequency (±200 Hz)

#### ☒ CONNECTION



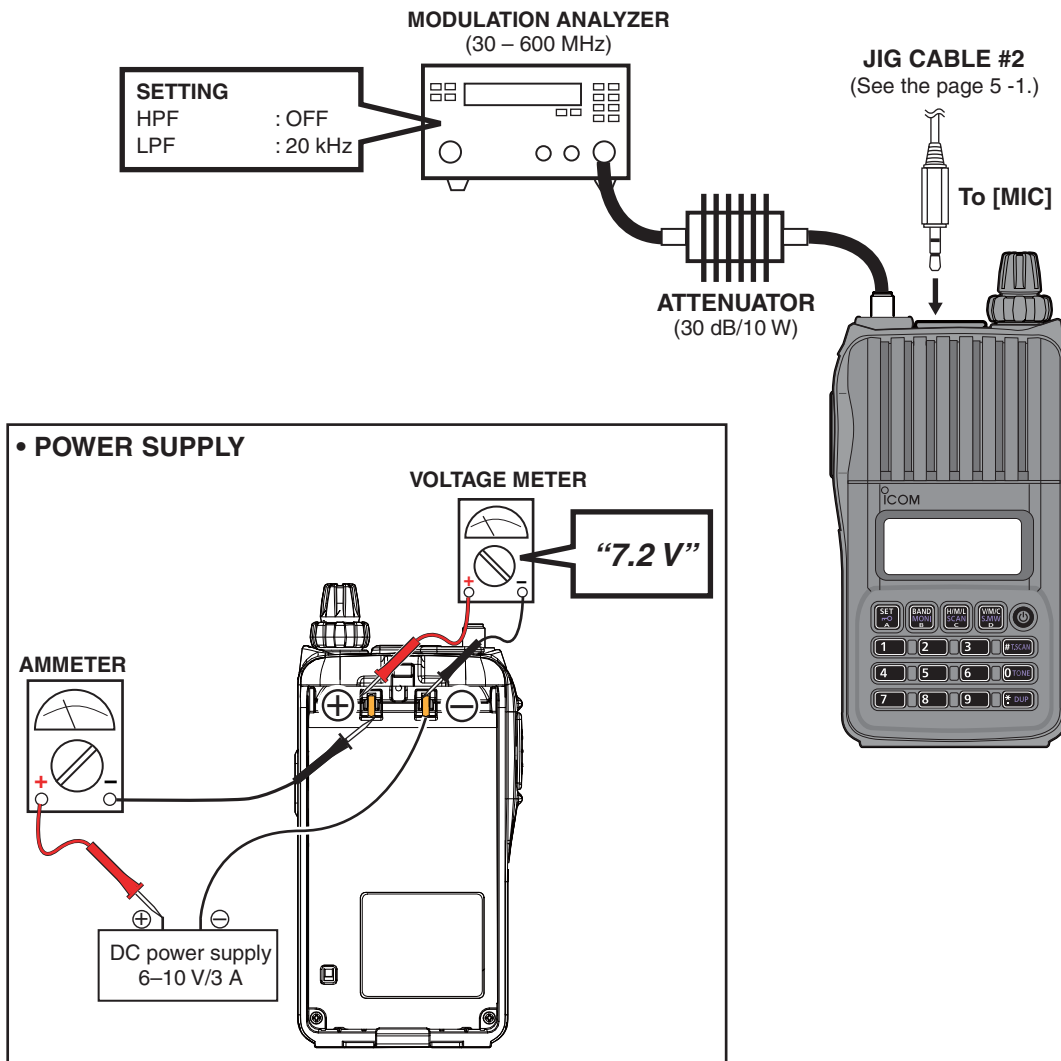


## 5-4 MODURATION ADJUSTMENTS

- 1) Select an adjustment item using [VOL].
- 2) Set or modify the adjustment value as specified using [DIAL], then push [BAND] to store the adjustment value.

ADJUSTMENT	TRANSCEIVER'S CONDITION	OPERATION	ADJUSTMENT ITEM	VALUE
FM (Wide) DEVIATION VHF (Low band)	1 • Frequency: Displayed • Transmitting	1) Connect a modulation analyzer to the antenna connector through an attenuator, and set it as; HPF : OFF LPF : 20 kHz  2) Connect an audio generator to the JIG cable #2 and set it as; Frequency : 1 kHz Level : 150 mVrms	mFL	± 4.1 to ± 4.3 kHz
VHF (High band)	2 • Frequency: Displayed • Transmitting		mFH	
UHF (Low band)	3 • Frequency: Displayed • Transmitting		mFL	
UHF (High band)	4 • Frequency: Displayed • Transmitting		mFH	
VHF (Low band)	5 • Frequency: Displayed • Transmitting	• Set the audio generator as; Level : OFF	bFL	Minimum level
VHF (High band)	6 • Frequency: Displayed • Transmitting		bFH	
UHF (Low band)	7 • Frequency: Displayed • Transmitting		bFL	
UHF (High band)	8 • Frequency: Displayed • Transmitting		bFH	

### ☒ CONNECTION

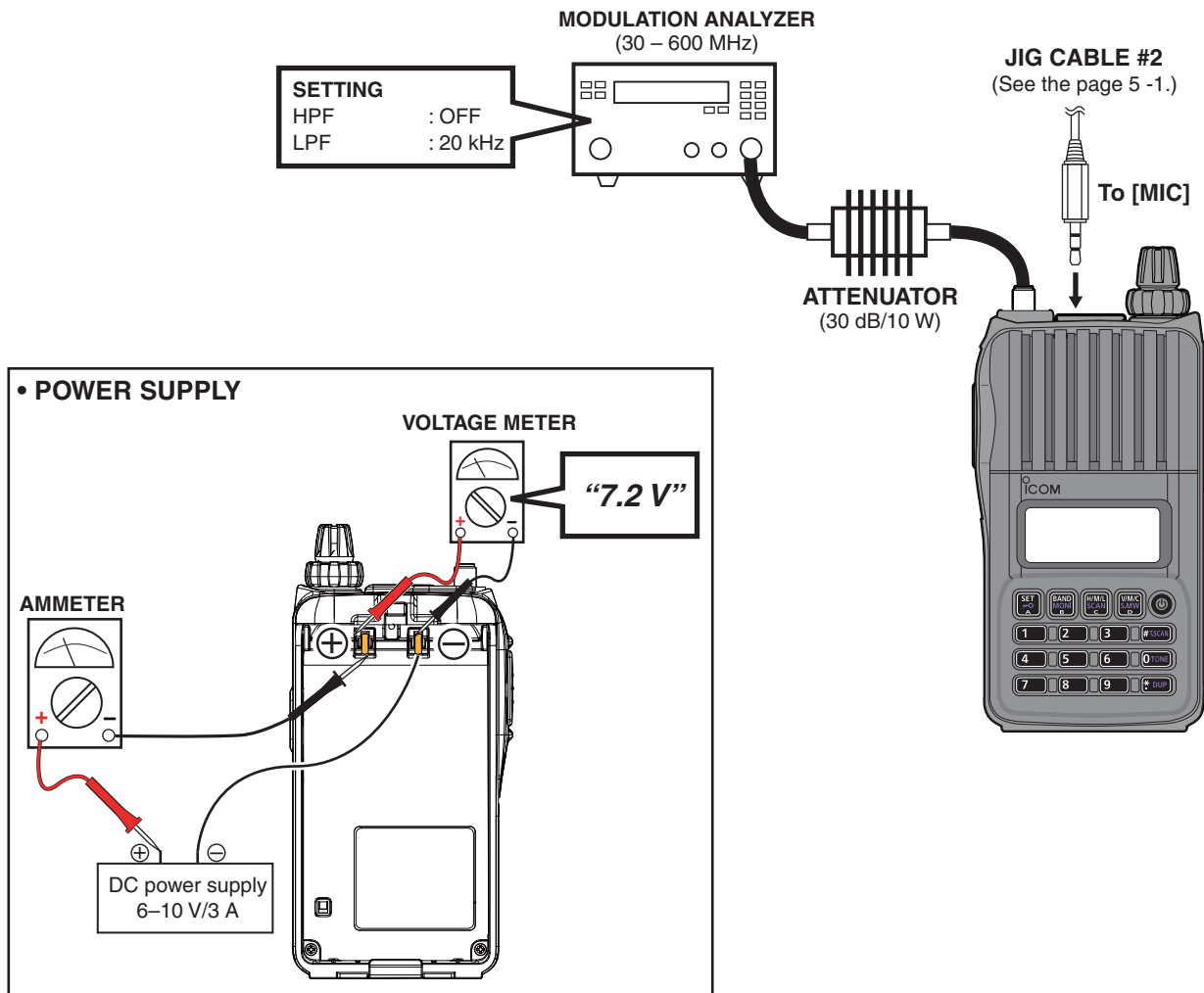


### 5-4 MODURATION ADJUSTMENTS (Continued)

- 1) Select an adjustment item using [VOL].
- 2) Set or modify the adjustment value as specified using [DIAL], then push [BAND] to store the adjustment value.

ADJUSTMENT	TRANSCEIVER'S CONDITION	OPERATION	ADJUSTMENT ITEM	VALUE
FM (Narrow) DEVIATION VHF (Low band)	1 • Frequency: Displayed • Transmitting	1) Connect a modulation analyzer to the antenna connector through an attenuator, and set it as; HPF : OFF LPF : 20 kHz 2) Connect an audio generator to the JIG cable #2 and set it as; Frequency : 1 kHz Level : 150 mVrms	mNL	±2.0 to ±2.2 kHz
VHF (High band)	2 • Frequency: Displayed • Transmitting		mNH	
UHF (Low band)	3 • Frequency: Displayed • Transmitting		mNL	
UHF (High band)	4 • Frequency: Displayed • Transmitting		mNH	
VHF (Low band)	5 • Frequency: Displayed • Transmitting	• Set the audio generator as; Level : OFF	bNL	Minimum level
VHF (High band)	6 • Frequency: Displayed • Transmitting		bNH	
UHF (Low band)	7 • Frequency: Displayed • Transmitting		bNL	
UHF (High band)	8 • Frequency: Displayed • Transmitting		bNH	

### ⊗ CONNECTION

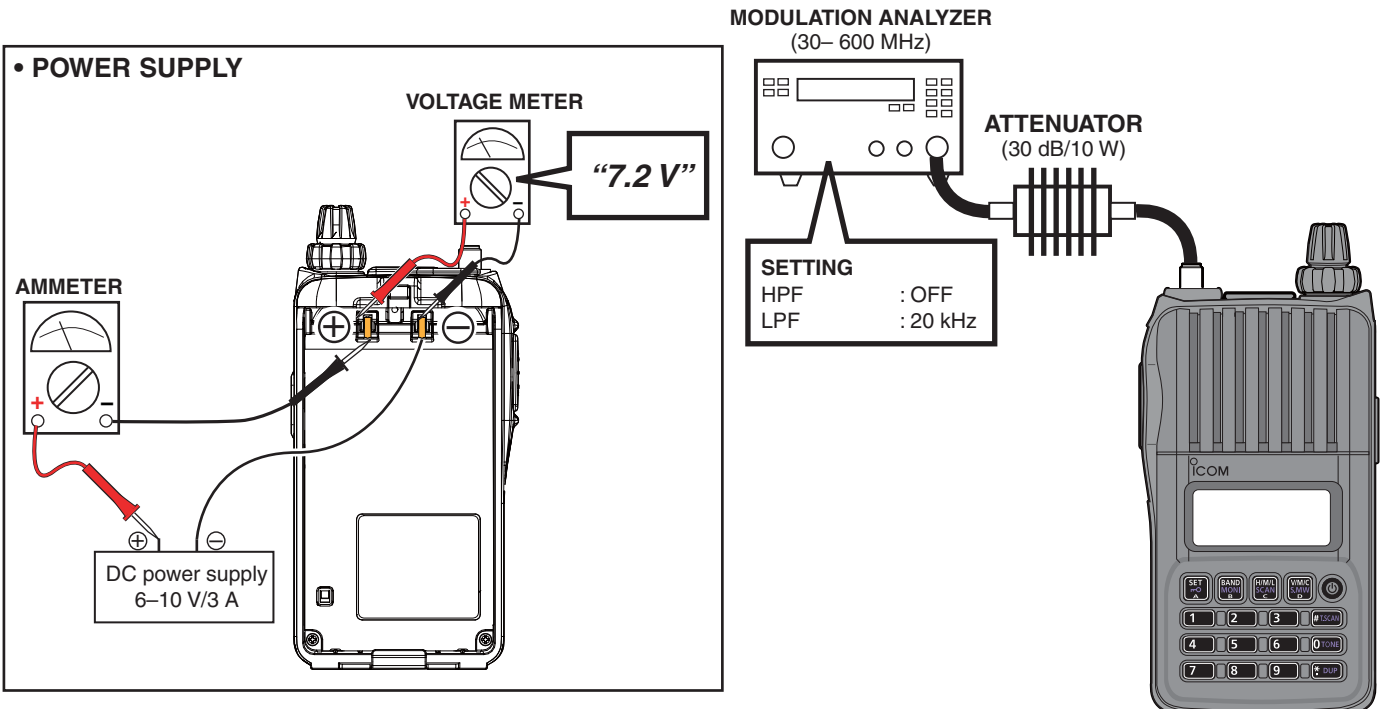


### 5-4 MODURATION ADJUSTMENTS (Continued)

- 1) Select an adjustment item using [VOL].
- 2) Set or modify the adjustment value as specified using [DIAL], then push [BAND] to store the adjustment value.

ADJUSTMENT	TRANSCIEVER'S CONDITION	OPERATION	ADJUSTMENT ITEM	VALUE
TONE DEVIATION [FM Mode] DTCS (VHF)	1 • Frequency: Displayed • Transmitting	1) Connect a modulation analyzer to the antenna connector through an attenuator, and set it as; HPF : OFF LPF : 20 kHz 2) Apply no audio signal to the [MIC] jack.	mct	±0.7 to ±0.8 kHz
DTCS (UHF)	2 • Frequency: Displayed • Transmitting			
CTCSS (VHF)	3 • Frequency: Displayed • Transmitting		mct	
CTCSS (UHF)	4 • Frequency: Displayed • Transmitting			
DTMF (VHF)	5 • Frequency: Displayed • Transmitting		mdm	±3.4 to ±3.6 kHz
DTMF (UHF)	6 • Frequency: Displayed • Transmitting			
European tone (VHF)	7 • Frequency: Displayed • Transmitting		mct	
European tone (UHF)	8 • Frequency: Displayed • Transmitting			
[Narrow FM Mode] DTCS (VHF)	9 • Frequency: Displayed • Transmitting		mct	±0.37 to ±0.38 kHz
DTCS (UHF)	10 • Frequency: Displayed • Transmitting			
CTCSS (VHF)	11 • Frequency: Displayed • Transmitting		mct	
CTCSS (UHF)	12 • Frequency: Displayed • Transmitting			
DTMF (VHF)	13 • Frequency: Displayed • Transmitting		mdm	±1.74 to ±1.76 kHz
DTMF (UHF)	14 • Frequency: Displayed • Transmitting			
European tone (VHF)	15 • Frequency: Displayed • Transmitting		mct	
European tone (UHF)	16 • Frequency: Displayed • Transmitting			

### ☒ CONNECTION



## 5-5 RECEIVE ADJUSTMENTS

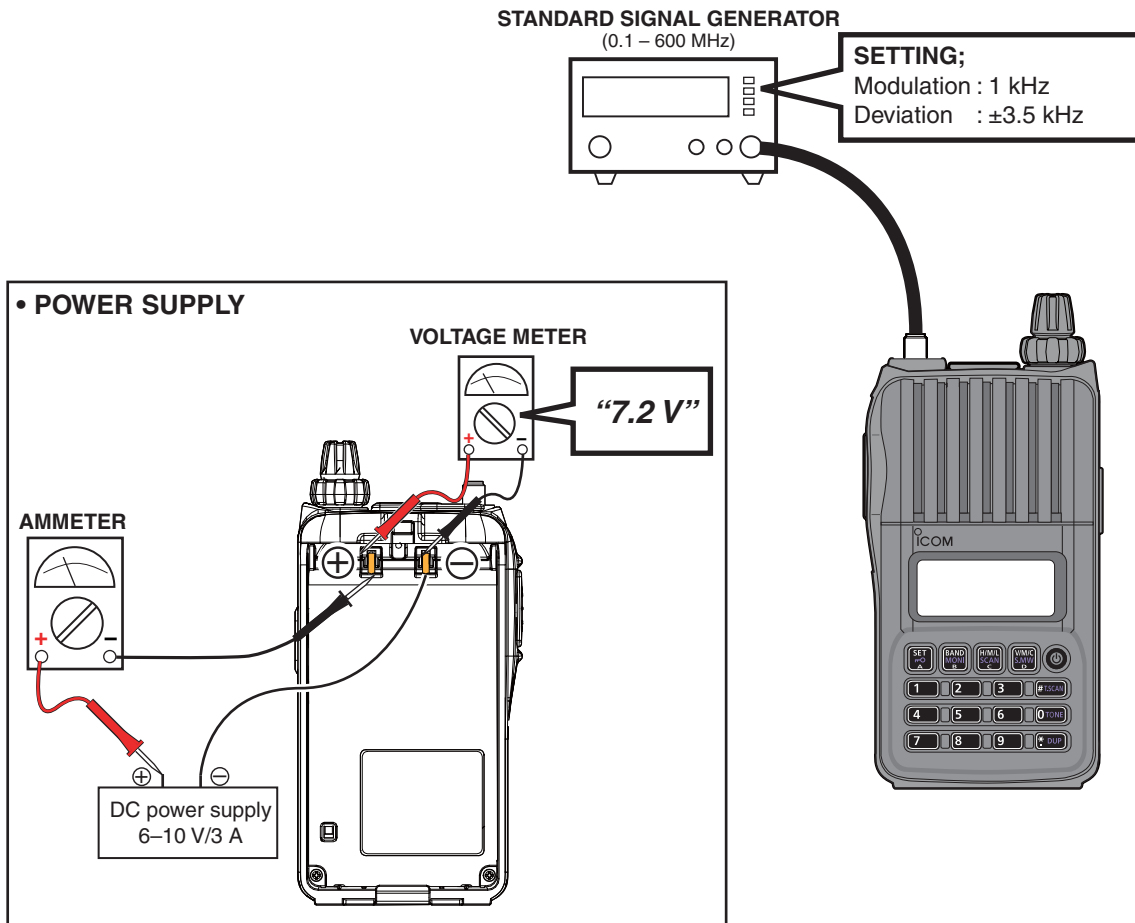
1) Select an adjustment item using [VOL].

2) Set or modify the adjustment value as specified using [DIAL], then push [BAND] to store the adjustment value.

ADJUSTMENT	TRANSCEIVER'S CONDITION	OPERATION	ADJUSTMENT ITEM	VALUE		
<b>RX SENCITIVITY</b> 136 MHz band	1	<b>NOTE:</b> When "RX SENSITIVITY" is re-adjusted, "S-METER" must be re-adjusted too.				
		• Frequency: Displayed • Receiving	• Connect an SSG to the antenna connector and set it as; Frequency : Displayed Level : -10 dBμ (-117 dBm) Modulation : 1 kHz Deviation : ±3.5 kHz	V <sub>EL</sub>	Push [BAND] (Automatic adjustment)	
	145 MHz band	• Receiving		V <sub>Em</sub>		
	173 MHz band	• Receiving		V <sub>EH</sub>		
	400 MHz band	• Receiving		U <sub>EL</sub>		
	435 MHz band	• Receiving		U <sub>Em</sub>		
478 MHz band	• Receiving	U <sub>EH</sub>				
<b>S-METER</b> [VHF band] (S0 level)	1	<b>NOTE:</b> When "RX SENSITIVITY" must be adjusted before "S-METER." And when "RX SENSITIVITY" is re-adjusted, "S-METER" must be re-adjusted too.				
		• Frequency: Displayed • Receiving	1) Connect an SSG to the antenna connector and set it as; Frequency : Displayed Modulation : 1 kHz Deviation : ± 3.5 kHz 2) Put the cursor on the adjustment item, then push [BAND]. • Set the SSG as; Level : -10 dBμ (-117 dBm)	-	Push [BAND] (Automatic adjustment)	
	(S3 level)	• Receiving		V <sub>S3</sub>		
	(Full scale)	• Receiving	• Set the SSG as; Level : 6 dBμ (-101 dBm)	V <sub>SF</sub>		
	[UHF band] (S0 level)	2	• Frequency: Displayed • Receiving	• Set the SSG as; Frequency : Displayed Level : -10 dBμ (-117 dBm)		U <sub>S0</sub>
	(S3 level)	• Receiving	• Set the SSG as; Level : -6 dBμ (-113 dBm)	U <sub>S3</sub>		
(Full scale)	• Receiving	• Set the SSG as; Level : 6 dBμ (-101 dBm)	U <sub>SF</sub>			

†; The output level of the standard signal generator (SSG) is indicated as the SSG's open circuit.

## CONNECTION





# SECTION 6

# PARTS LIST

## [MAIN UNIT]

REF NO.	PARTS NO.	DESCRIPTION	M.	H/V LOCATION
IC1	1110007610	S.IC TPA0211DGNR	B	12.1/36.6
IC2	1110006470	S.IC LMV3241PWR	T	34/29.1
IC4	1110007200	S.IC M61545AFP#DF0R	T	37.9/38.3
IC5	1110007550	S.IC R2A20178NP	T	51/32.4
IC101	1180002251	S.IC S-812C50AMC-C3E-G	B	91.7/45.2
IC102	1110006380	S.IC LM2904PWR	T	12.7/28.9
IC200	1110005771	S.IC S-80942CNMC-G9CT2G	B	96.4/25.7
IC201	1130012430	S.IC S-24CS64A0I-T8T1G	B	90.2/10.6
IC304	1180002690	S.REG S-812C36AMC-C2Q-T2G	T	51.5/15.7
IC305	1130011671	S.IC MB15E03SLPFV1-G-ER-6E1	T	50.4/9.5
IC309	1130007021	S.IC TC7S66FU(TE85L,F)	T	52.4/2.3
IC311	1110007320	S.IC NJM2591V-TE1-#ZZZB	B	51.5/43.6
IC500	1110002751	S.IC TA75S01F(TE85R,F)	T	41.2/2.6
IC501	1110006380	S.IC LM2904PWR	B	35.6/8.6
IC800	1110007660	S.IC NJM2746V-TE1-#ZZZB	T	43.8/29.3
IC904	1130007021	S.IC TC7S66FU(TE85L,F)	T	52.1/42.9
IC907	1140015260	S.IC UPD78F1508GF(R)-GAT-AX	B	80/26
IC908	1130011760	S.IC CD4094BPWR	B	78.8/8.5
IC909	1130007021	S.IC TC7S66FU(TE85L,F)	T	39.8/35
Q1	1590004100	S.TRA LDTC144TET1G <SLVJ>	B	93.2/28.3
Q4	1510001100	S.TRA 2SA1832-GR(TE85R,F)	T	6/23
Q5	1520000651	S.TRA 2SB1201S-TL-E	B	21.4/48
Q6	1590001170	S.TRA XP1501-(TX).AB	T	22.8/49
Q7	1590004100	S.TRA LDTC144TET1G <SLVJ>	B	32.5/45.3
Q8	1590001190	S.TRA XP6501-(TX).AB	T	46.5/38.9
Q10	1590001650	S.TRA XP4601(TX)	T	55.9/40.9
Q11	1590003421	S.TRA UNR911FG0L	B	91.3/27
Q100	1550000220	S.FET TPCF8104(TE85L,F)	T	20.4/32.1
Q101	1520000651	S.TRA 2SB1201S-TL-E	B	21.4/40.9
Q102	1590001170	S.TRA XP1501-(TX).AB	B	27.2/44.4
Q103	1510001100	S.TRA 2SA1832-GR(TE85R,F)	T	17.8/28.8
Q104	1590004070	S.TRA LDTC144EET1G <SLVJ>	T	19.2/24.1
Q107	1530003990	S.TRA 2SC4738-BL(TE85L,F)	B	83.6/44.1
Q108	1590001170	S.TRA XP1501-(TX).AB	T	25.6/35.4
Q109	1520000460	S.TRA 2SB1132 T100 R	B	28/34.9
Q110	1590004070	S.TRA LDTC144EET1G <SLVJ>	T	26.2/32.1
Q200	1510000671	S.TRA 2SA1588-GR(TE85R, F)	T	26.9/28
Q201	1510000671	S.TRA 2SA1588-GR(TE85R, F)	B	35.7/33.9
Q202	1510000671	S.TRA 2SA1588-GR(TE85R, F)	T	52.1/37.9
Q203	1510001100	S.TRA 2SA1832-GR(TE85R,F)	T	52.6/48.9
Q204	1590004070	S.TRA LDTC144EET1G <SLVJ>	B	72.7/8.7
Q300	1590001160	S.TRA XP1401-(TX).AB	T	55.1/15.4
Q302	1530003990	S.TRA 2SC4738-BL(TE85L,F)	T	55.2/18.3
Q305	1530003990	S.TRA 2SC4738-BL(TE85L,F)	T	58.7/26.7
Q306	1590004070	S.TRA LDTC144EET1G <SLVJ>	T	56.8/2
Q307	1590004070	S.TRA LDTC144EET1G <SLVJ>	T	48/19.4
Q308	1590004090	S.TRA LDTC114YET1G <SLVJ>	B	56.5/16
Q309	1590004070	S.TRA LDTC144EET1G <SLVJ>	B	43.6/39.9
Q310	1530003321	S.TRA 2SC5108-Y(TE85R,F)	B	43.2/10.7
Q311	1530003582	S.TRA 2SC5231A-8-TL-E	B	54.9/17.8
Q312	1530003582	S.TRA 2SC5231A-8-TL-E	B	49.2/5.4
Q313	1530003810	S.TRA 2SC5008-T1	B	46.7/3.8
Q314	1530003582	S.TRA 2SC5231A-8-TL-E	B	48.7/16.9
Q315	1530003990	S.TRA 2SC4738-BL(TE85L,F)	B	54.6/49.6
Q316	1590003251	S.TRA UNR9115G0L	B	50.6/27.6
Q317	1590003251	S.TRA UNR9115G0L	B	53.2/27.6
Q318	1530002920	S.TRA 2SC4226-T1 R25	B	59.7/40.5
Q500	1580000830	S.FET BS506CFS-TL-E	B	47.9/25.2
Q502	1530003920	S.FET 2SC5098Y-C-TL-E	T	39.9/11.8
Q503	1560001710	S.FET RFM01U7P(TE12L,F)	T	35.1/8.6
Q504	1590004050	S.TRA LDTC144EET1G <SLVJ>	B	37.1/17.4
Q505	1580000830	S.FET BS506CFS-TL-E	B	22.3/23.7
Q507	1560001720	S.FET RFM12U7X(T2LICOM,Q)	T	28.4/11.1
Q508	1590002380	S.TRA XP1115(TX)	B	5.5/11.2
Q509	1580000830	S.FET BS506CFS-TL-E	B	41.9/29.3
Q510	1590004060	S.TRA LDTC114EET1G <SLVJ>	T	10.6/8
Q511	1580000830	S.FET BS506CFS-TL-E	B	19.3/28.1
Q512	1530003582	S.TRA 2SC5231A-8-TL-E	B	43.5/15.6
D1	1790000981	S.DIO MA3J7420GL	B	92.8/30.7
D2	1790001850	S.VAR VC040205X150WP	B	33/49.7
D100	1750001690	S.DIO RB050LA-40	T	27.5/41.3
D101	1790001241	S.DIO MA2S7280GL	T	17.6/33.1
D102	1790000671	S.DIO SB07-03C-TB-E	T	20/37.8
D103	1750001810	S.DIO L1SS400T1G <SLVJ>	B	84.7/49.6
D104	1730002301	S.ZEN MAZ8082GML	B	84.4/48
D105	1750000370	S.DIO DA221 TL	B	30.6/44
D106	1750001810	S.DIO L1SS400T1G <SLVJ>	T	28.3/36.6
D107	1730002321	S.ZEN MAZ8051GML	T	10.2/24
D108	1750001810	S.DIO L1SS400T1G <SLVJ>	B	93.4/42.7
D109	1790001850	S.VAR VC040205X150WP	B	72.6/45.1
D111	1750001810	S.DIO L1SS400T1G <SLVJ>	T	19.1/25.7
D200	1750000771	S.VAR HVC376BTRF-E	B	92.4/16.6
D251	1750001810	S.DIO L1SS400T1G <SLVJ>	B	88.8/37.5
D252	1750001810	S.DIO L1SS400T1G <SLVJ>	B	90/37.5
D254	1750001810	S.DIO L1SS400T1G <SLVJ>	B	88.7/40
	1750001810	S.DIO L1SS400T1G <SLVJ>	[UK]	
	1750001810	S.DIO L1SS400T1G <SLVJ>	[EXP-01]	
	1750001810	S.DIO L1SS400T1G <SLVJ>	[RSP]	
D255	1750001810	S.DIO L1SS400T1G <SLVJ>	[EUR]	89.9/40
	1750001810	S.DIO L1SS400T1G <SLVJ>	[TPE]	
	1750001810	S.DIO L1SS400T1G <SLVJ>	[KOR]	
	1750001810	S.DIO L1SS400T1G <SLVJ>	[EXP-01]	

## [MAIN UNIT]

REF NO.	PARTS NO.	DESCRIPTION	M.	H/V LOCATION
D257	1750001810	S.DIO L1SS400T1G <SLVJ>	[EUR]	T 72.5/2.4
	1750001810	S.DIO L1SS400T1G <SLVJ>	[UK]	
	1750001810	S.DIO L1SS400T1G <SLVJ>	[TPE]	
	1750001810	S.DIO L1SS400T1G <SLVJ>	[USA]	
	1750001810	S.DIO L1SS400T1G <SLVJ>	[KOR]	
	1750001810	S.DIO L1SS400T1G <SLVJ>	[AUS]	
D258	1750001810	S.DIO L1SS400T1G <SLVJ>	[RSP]	
	1750001810	S.DIO L1SS400T1G <SLVJ>	[EUR]	T 80.5/2.4
	1750001810	S.DIO L1SS400T1G <SLVJ>	[UK]	
	1750001810	S.DIO L1SS400T1G <SLVJ>	[TPE]	
	1750001810	S.DIO L1SS400T1G <SLVJ>	[USA]	
	1750001810	S.DIO L1SS400T1G <SLVJ>	[KOR]	
	1750001810	S.DIO L1SS400T1G <SLVJ>	[AUS]	
	1750001810	S.DIO L1SS400T1G <SLVJ>	[RSP]	
D259	1750001810	S.DIO L1SS400T1G <SLVJ>		B 91.7/34.6
D260	1750001810	S.DIO L1SS400T1G <SLVJ>		B 93/34.6
D261	1750001810	S.DIO L1SS400T1G <SLVJ>	[EUR]	B 91.7/37.5
	1750001810	S.DIO L1SS400T1G <SLVJ>	[AUS]	
	1750001810	S.DIO L1SS400T1G <SLVJ>	[CHN]	
	1750001810	S.DIO L1SS400T1G <SLVJ>	[EXP]	
D262	1750001810	S.DIO L1SS400T1G <SLVJ>	[EUR]	B 93/37.5
	1750001810	S.DIO L1SS400T1G <SLVJ>	[UK]	
	1750001810	S.DIO L1SS400T1G <SLVJ>	[KOR]	
	1750001810	S.DIO L1SS400T1G <SLVJ>	[CHN]	
	1750001810	S.DIO L1SS400T1G <SLVJ>	[EXP]	
	1750001810	S.DIO L1SS400T1G <SLVJ>	[EXP-01]	
D264	1750001810	S.DIO L1SS400T1G <SLVJ>	[EUR]	T 87.5/49.6
	1750001810	S.DIO L1SS400T1G <SLVJ>	[TPE]	
	1750001810	S.DIO L1SS400T1G <SLVJ>	[KOR]	
D265	1750001810	S.DIO L1SS400T1G <SLVJ>		B 68.9/44.1
D266	1750001810	S.DIO L1SS400T1G <SLVJ>		B 69.4/41.2
D267	1750001810	S.DIO L1SS400T1G <SLVJ>		B 68.9/42.9
D268	1750001810	S.DIO L1SS400T1G <SLVJ>		B 68.1/41.2
D300	1750001810	S.DIO L1SS400T1G <SLVJ>		T 54.2/13.5
D301	1750001810	S.DIO L1SS400T1G <SLVJ>		T 54.9/11.3
D302	1750000520	S.DIO DAN222TL		B 43.2/5.8
D304	1750001610	S.VAR HVC365TRF-E		B 54.5/12
D305	1750001610	S.VAR HVC365TRF-E		B 51.8/12
D306	1750001610	S.VAR HVC365TRF-E		B 54.5/10.8
D307	1750001610	S.VAR HVC365TRF-E		B 55.7/4.1
D308	1750001700	S.DIO HSC277TRF-E		B 54.4/14.6
D309	1750000721	S.VAR HVC375BTRF-E		B 54.5/6.6
D310	1750000711	S.VAR HVC350BTRF-E		B 54.5/4.1
D311	1750001700	S.DIO HSC277TRF-E		B 47/11.8
D312	1750001700	S.DIO HSC277TRF-E		B 45.3/11
D313	1790000981	S.DIO MA3J7420GL		B 58.7/47.3
D314	1750001700	S.DIO HSC277TRF-E		B 43.3/18
D315	1790001621	S.DIO 1SV308(TPL3,F)		B 42.1/18
D317	1790000981	S.DIO MA3J7420GL		B 59.7/37.6
D318	1750000520	S.DIO DAN222TL		T 44.8/12.7
D319	1790001621	S.DIO 1SV308(TPL3,F)		B 40.9/18
D500	1750001620	S.DIO JDP2S04E(TPH3)		T 39.8/17.8
D501	1750001620	S.DIO JDP2S04E(TPH3)		T 40.3/16
D502	1750001610	S.VAR HVC365TRF-E		B 33.5/23.8
D503	1750001610	S.VAR HVC365TRF-E		B 32.2/23.8
D504	1750001610	S.VAR HVC365TRF-E		B 28.7/23.8
D506	1750000581	S.DIO 1SV307(TPH3,F)		T 15.8/13.3
D507	1790000981	S.DIO MA3J7420GL		B 13.2/12.6
D508	1750000531	S.DIO 1SV271(TPH3,F)		T 8/12.5
D509	1790001621	S.DIO 1SV308(TPL3,F)		B 21.9/11.3
D510	1790001621	S.DIO 1SV308(TPL3,F)		B 18/8.5
D511	1790001621	S.DIO 1SV308(TPL3,F)		B 16.8/8.5
D512	1750000721	S.VAR HVC375BTRF-E		B 33.7/30.2
D513	1750000531	S.DIO 1SV271(TPH3,F)		T 13.1/10.6
D514	1790000981	S.DIO MA3J7420GL		B 15.7/12.6
D515	1750000711	S.VAR HVC350BTRF-E		B 30.4/30.2
D516	1790000981	S.DIO MA3J7420GL		B 13.1/16.9
D517	1790000981	S.DIO MA3J7420GL		B 10.7/12.6
D519	1750000711	S.VAR HVC350BTRF-E		B 26.7/29.4
D523	1750000711	S.VAR HVC350BTRF-E		B 14.6/24.8
D524	1790001621	S.DIO 1SV308(TPL3,F)		T 14.1/21.3
D525	1750000531	S.DIO 1SV271(TPH3,F)		T 9.8/12.5
D800	1750001810	S.DIO L1SS400T1G <SLVJ>		B 66/44.9
FI300	2020002480	S.CER LTWC450E1 <JJE>		B 49.2/33.7
FI301	2030000860	S.MON MFT46.3M 46.350 MHz (FL-439)		B 58/29.2
X200	6050012730	S.XTA CR-864(SMD-49/12.288 MHz) <JJE>		B 96.5/16.3
X300	6050012830	S.XTA CR-875 TTS14VSB-A4 15.3 MHz		T 51.6/23
X301	6070000310	S.DIS JTBM450CX70 <JJE>		B 44.5/46.2
L300	6200003960	S.COI MLF1608A 1R0K-T		T 57.4/23.6
L301	6200003540	S.COI MLF1608D R22K-T		T 57.6/28.4
L302	6200012170	S.COI MLG1608SR18J-T		B 54.4/9.6
L303	6200004480	S.COI MLF1608D R82K-T		T 57.5/31.4
L304	6200012170	S.COI MLG1608SR18J-T		B 56.9/4.1
L305	6200013840	S.COI MLK1005S18NJT		B 43/7.2
L306	6200011580	S.COI LQW18AN33NG00		B 51.8/13.2
L307	6200009280	S.COI LQW18AN27NG00 (LQW1608A27NG00)		B 54.4/13.3
L308	6200009220	S.COI LQW18AN15NG00 (LQW1608A15NG00)		B 53.3/4.1
L309	6200013750	S.COI MLK1005SR10JT		B 41.2/8.1
L310	6200013800	S.COI MLK1005S39NJT		B 45.9/6.8

M.=Mounted side (T: Mounted on the Top side, B: Mounted on the Bottom side) S.=Surface mount

[MAIN UNIT]

REF NO.	PARTS NO.	DESCRIPTION	M.	H/V LOCATION
L311	6200013750	S.COI MLK1005SR10JT	B	48.2/14.5
L312	6200005140	S.COI MLF1608D R33K-T	B	59.7/43.4
L313	6200009351	S.COI ELJRE R22GFA	B	41.9/14.6
L314	6200013800	S.COI MLK1005S39NJT	B	43/24.2
L315	6200013840	S.COI MLK1005S18NJT	B	37.1/28.8
L316	6200013800	S.COI MLK1005S39NJT	B	43.9/24.2
L317	6200011220	S.COI C2012C-R47J-A	B	52.3/24.1
L318	6200010850	S.COI LQW18AN22NG00D (LQW1608A22NG00)	B	49.9/25.1
L319	6200003960	S.COI MLF1608A 1R0K-T	B	57.6/35.6
L500	6200009290	S.COI LQW18AN47NG00D (LQW1608A47NG00)	B	45.9/23.5
L501	6200011670	S.COI LQW18AN82NG00D	B	34.7/23.8
L502	6200011650	S.COI LQW18AN68NG00D	T	42.1/10.3
L503	6200011670	S.COI LQW18AN82NG00D	B	30/22.8
L505	6200013840	S.COI MLK1005S18NJT	T	38.4/8.2
L506	6200011670	S.COI LQW18AN82NG00D	B	26.6/22.8
L507	6200007700	S.COI LQW2BHN22NJ03L	T	34.5/13.7
L508	6200011860	S.COI LQW18ANR47G00D	B	25.3/24.6
L510	6200013850	S.COI MLK1005S15NJT	T	32.1/12.9
L512	6200013860	S.COI MLK1005S12NJT	T	31.6/14.2
L513	6200011670	S.COI LQW18AN82NG00D	B	23.4/20.3
L514	6200012800	S.COI 0.40-1.5-5TL 20N <COMO>	T	23.1/11.9
L515	6200013010	S.COI 0.30-0.9-5TL 10.3N <COMO>	T	20.6/8.8
L516	6200012850	S.COI 0.40-0.8-2TL 2.5N <COMO>	T	20.2/13.6
L517	6200013090	S.COI 0.26-1.1-5TR 16N <COMO>	T	17.7/13.3
L518	6200009250	S.COI LQW18ANR22G00D (LQW1608AR22G00)	T	14.7/10.9
L519	6200011660	S.COI LQW18ANR15G00D	B	21/14.4
L520	6200009220	S.COI LQW18AN15NG00D (LQW1608A15NG00)	B	39/29.2
L521	6200011650	S.COI LQW18AN68NG00D	B	21.8/12.5
L522	6200004480	S.COI MLF1608D R82K-T	T	15.8/8
L523	6200012540	S.COI 0.30-1.2-5TR 16.1N <COMO>	T	13.5/14.8
L524	6200010910	S.COI LQW18AN56NG00D	B	19.7/11.5
L525	6200010700	S.COI LQW18AN12NG00D	B	34.9/28.7
L527	6200010700	S.COI LQW18AN12NG00D	B	31.6/28.6
L528	6200009070	S.COI LQW18AN18NG00D (LQW1608A18NG00)	B	25.6/27.8
L530	6200011580	S.COI LQW18AN33NG00D	B	23.7/30.6
L531	6200013020	S.COI 0.25-1.9-7TL 61N <COMO>	B	13/8.4
L532	6200012510	S.COI 0.25-1.9-8TL 72.0N <COMO>	B	9.7/7.1
L533	6200012730	S.COI 0.26-0.9-6TR 15.1N <COMO>	T	3.9/11.9
L534	6200012910	S.COI 0.35-1.6-8TL 45.5N <COMO>	B	6.8/4.6
L535	6200009070	S.COI LQW18AN18NG00D (LQW1608A18NG00)	T	16.4/17.3
L536	6200009290	S.COI LQW18AN47NG00D (LQW1608A47NG00)	B	16.6/27.5
L541	6200009070	S.COI LQW18AN18NG00D (LQW1608A18NG00)	B	15.1/26.1
L542	6200009290	S.COI LQW18AN47NG00D (LQW1608A47NG00)	B	12.7/22.8
L624	6200012980	S.COI 0.40-1.4-5TR 18.3N <COMO>	T	7.4/16.1
L625	6200012680	S.COI 0.30-1.3-5TL 20N <COMO>	T	10.5/15.6
L626	6200013970	S.COI MLK1005S1N5ST [EUR]	T	33.9/16.3
	6200013970	S.COI MLK1005S1N5ST [UK]		
	6200013970	S.COI MLK1005S1N5ST [TPE]		
	6200013980	S.COI MLK1005S1N2ST [USA]		
	6200013970	S.COI MLK1005S1N5ST [KOR]		
	6200013970	S.COI MLK1005S1N5ST [AUS]		
	6200013970	S.COI MLK1005S1N5ST [CHN]		
	6200013970	S.COI MLK1005S1N5ST [EXP]		
	6200013970	S.COI MLK1005S1N5ST [EXP-01]		
	6200013970	S.COI MLK1005S1N5ST [RSP]		
R1	7030003860	S.RES ERJ3GE JPW V	T	10.1/29.6
R2	7030012300	S.RES ERJ2RKF 1502X (15K)	B	90.9/29.2
R3	7030005220	S.RES ERJ2GEJ 223 X (22K)	B	33/48.8
R4	7030005000	S.RES ERJ2GEJ 471 X (470)	T	6.1/20.6
R6	7030010040	S.RES ERJ2GEJ-JPW	T	9.3/48.8
R9	7030005000	S.RES ERJ2GEJ 471 X (470)	T	4.9/21
R10	7030005240	S.RES ERJ2GEJ 473 X (47K)	T	37.9/36.1
R11	7030005090	S.RES ERJ2GEJ 104 X (100K)	T	5.6/24.7
R12	7030005050	S.RES ERJ2GEJ 103 X (10K)	T	31.6/35.3
R13	7030005050	S.RES ERJ2GEJ 103 X (10K)	T	32.5/34.4
R14	7030008300	S.RES ERJ2GEJ 184 X (180K)	T	37/33.7
R15	7030005530	S.RES ERJ2GEJ 100 X (10)	T	39.2/32.4
R16	7030008290	S.RES ERJ2GEJ 183 X (18K)	T	39.7/29.2
R17	7030004980	S.RES ERJ2GEJ 101 X (100)	T	36.1/35.5
R18	7030005170	S.RES ERJ2GEJ 474 X (470K)	B	37.1/41.6
R19	7030005090	S.RES ERJ2GEJ 104 X (100K)	T	33.2/35.3
R20	7030007350	S.RES ERJ2GEJ 393 X (39K)	T	40.5/31.2
R21	7030005090	S.RES ERJ2GEJ 104 X (100K)	B	12.3/40.2
R22	7030007290	S.RES ERJ2GEJ 222 X (2.2K)	B	13.2/32.6
R23	7030005120	S.RES ERJ2GEJ 102 X (1K)	T	32.5/33.5
R24	7030005240	S.RES ERJ2GEJ 473 X (47K)	T	40.1/32.4
R25	7030005100	S.RES ERJ2GEJ 154 X (150K)	T	34.7/22.5
R26	7030005600	S.RES ERJ2GEJ 273 X (27K)	T	37.8/26.5
R27	7030005720	S.RES ERJ2GEJ 563 X (56K)	T	38.2/25.3
R28	7030005240	S.RES ERJ2GEJ 473 X (47K)	T	30.4/27.1
R29	7030005090	S.RES ERJ2GEJ 104 X (100K)	T	33.8/22.5
R30	7030005050	S.RES ERJ2GEJ 103 X (10K)	T	32.2/24.7
R31	7030005070	S.RES ERJ2GEJ 683 X (68K)	T	31.8/23
R32	7030008370	S.RES ERJ2GEJ 561 X (560)	T	35.4/37.1
R33	7030005040	S.RES ERJ2GEJ 472 X (4.7K)	T	35/38.3
R35	7030005720	S.RES ERJ2GEJ 563 X (56K)	T	40.1/26.8
R36	7030004980	S.RES ERJ2GEJ 101 X (100)	T	39.5/25
R37	7030005170	S.RES ERJ2GEJ 474 X (470K)	T	35.9/24.7
R38	7030005090	S.RES ERJ2GEJ 104 X (100K)	T	34.3/23.8
R39	7030006010	S.RES RR0510P-472-D (4.7K)	T	21.1/50
R40	7030008270	S.RES RR0510P-104-D (100K)	T	21.8/46.7
R42	7030005120	S.RES ERJ2GEJ 102 X (1K)	T	23.6/46.7
R43	7030005050	S.RES ERJ2GEJ 103 X (10K)	T	24.6/48.3
R44	7030005170	S.RES ERJ2GEJ 474 X (470K)	B	38.8/42.5

[MAIN UNIT]

REF NO.	PARTS NO.	DESCRIPTION	M.	H/V LOCATION
R45	7030005090	S.RES ERJ2GEJ 104 X (100K)	B	38.8/41.6
R46	7030001002	S.RES MCR10EZHZJ 4.7 (4R7)	T	21.7/40
R47	7030000100	S.RES MCR10EZHZJ 4.7 (4R7)	T	20/42
R48	7030000100	S.RES MCR10EZHZJ 4.7 (4R7)	T	23.5/42
R49	7030005240	S.RES ERJ2GEJ 473 X (47K)	B	41/41.5
R50	7030007320	S.RES ERJ2GEJ 225 X (2.2M)	T	43.7/38
R51	7030005290	S.RES ERJ2GEJ 682 X (6.8K)	T	44.6/39.2
R52	7030007350	S.RES ERJ2GEJ 393 X (39K)	T	46.3/41.5
R53	7030005070	S.RES ERJ2GEJ 683 X (68K)	T	50.2/41.8
R54	7030005070	S.RES ERJ2GEJ 683 X (68K)	T	50.7/39.7
R55	7030005220	S.RES ERJ2GEJ 223 X (22K)	T	44.6/42.9
R56	7030005040	S.RES ERJ2GEJ 472 X (4.7K)	T	47.6/37.1
R57	7030007310	S.RES ERJ2GEJ 155 X (1.5M)	T	46.3/40.6
R58	7030007280	S.RES ERJ2GEJ 331 X (330)	T	48.7/38.7
R59	7030005070	S.RES ERJ2GEJ 683 X (68K)	T	52.3/39.7
R60	7030007340	S.RES ERJ2GEJ 153 X (15K)	T	54.9/43.2
R61	7030005050	S.RES ERJ2GEJ 103 X (10K)	T	56/38.9
R62	7030007350	S.RES ERJ2GEJ 393 X (39K)	T	47/42.4
R63	7030005220	S.RES ERJ2GEJ 223 X (22K)	T	47/43.3
R64	7030008010	S.RES ERJ2GEJ 123 X (12K)	T	48.4/42.9
R66	7030005050	S.RES ERJ2GEJ 103 X (10K)	T	54/43.2
R68	7030005230	S.RES ERJ2GEJ 334 X (330K)	T	58.1/43.6
R69	7030005090	S.RES ERJ2GEJ 104 X (100K)	T	57.2/38.5
R70	7030005000	S.RES ERJ2GEJ 471 X (470)	T	58.4/40.2
R71	7030005070	S.RES ERJ2GEJ 683 X (68K)	T	58.4/41.1
R72	7030005160	S.RES ERJ2GEJ 105 X (1M)	T	25.5/49.9
R75	7030005050	S.RES ERJ2GEJ 103 X (10K)	T	4.1/22.5
R76	7030007290	S.RES ERJ2GEJ 222 X (2.2K)	T	4.1/23.5
R100	7030010010	S.RES ERJ2RKF 334 X (330K)	B	82.1/48
R101	7030012270	S.RES ERJ2RKD 1203X (120K)	B	82.1/44.6
R102	7030010010	S.RES ERJ2RKF 334 X (330K)	B	71/38
R103	7030012270	S.RES ERJ2RKD 1203X (120K)	B	71/38.9
R104	7030005060	S.RES ERJ2GEJ 333 X (33K)	T	18.1/31.1
R105	7030011870	S.RES ERJ2BSFR18X (0.18)	T	23/29.1
R106	7030011870	S.RES ERJ2BSFR18X (0.18)	T	22.1/29.1
R108	7030011870	S.RES ERJ2BSFR18X (0.18)	T	21.2/29.1
R109	7030012270	S.RES ERJ2RKD 1203X (120K)	T	18.3/27
R110	7030012260	S.RES ERJ2RKD 4703X (470K)	T	12.8/24.6
R111	7030012250	S.RES ERJ2RKD 1004X (1M)	T	15.6/26.9
R112	7030005050	S.RES ERJ2GEJ 103 X (10K)	T	11.6/24.2
R113	7030012270	S.RES ERJ2RKD 1203X (120K)	T	17.4/26.9
R114	7030012250	S.RES ERJ2RKD 1004X (1M)	T	17.4/25.3
R115	7030003210	S.RES ERJ3GEYJ 120 V (12)	B	27.6/40.0
R116	7030005810	S.RES RR0510P-152-D (1.5K)	B	29/43.9
R118	7030009190	S.RES RR0510P-332-D (3.3K)	B	27.1/47
R119	7030009190	S.RES RR0510P-332-D (3.3K)	B	29/45.5
R120	7030007280	S.RES ERJ2GEJ 331 X (330)	B	26.8/48.7
R121	7030005120	S.RES ERJ2GEJ 102 X (1K)	B	25.6/47.8
R122	7030005050	S.RES ERJ2GEJ 103 X (10K)	B	83.1/46.1
R123	7030012260	S.RES ERJ2RKD 4703X (470K)	T	16.5/25.3
R124	7030005050	S.RES ERJ2GEJ 103 X (10K)	T	19.2/27
R125	7030005050	S.RES ERJ2GEJ 103 X (10K)	T	19.4/28.8
R126	7030003210	S.RES ERJ3GEYJ 120 V (12)	B	27.6/41.9
R128	7030003210	S.RES ERJ3GEYJ 120 V (12)	B	27.6/39.5
R129	7030003210	S.RES ERJ3GEYJ 120 V (12)	B	27.6/38.3
R130	7030005240	S.RES ERJ2GEJ 473 X (47K)	B	84.3/46.6
R131	7030005120	S.RES ERJ2GEJ 102 X (1K)	B	83.6/42.2
R132	7030005050	S.RES ERJ2GEJ 103 X (10K)	T	27.9/35.6
R133	7030005050	S.RES ERJ2GEJ 103 X (10K)	T	24.2/33.4
R134	7030005040	S.RES ERJ2GEJ 472 X (4.7K)	T	26.2/33.7
R135	7030005090	S.RES ERJ2GEJ 104 X (100K)	B	84.5/42.2
R136	7030008270	S.RES RR0510P-104-D (100K)	B	70.9/43.4
R137	7030003860	S.RES ERJ3GE JPW V	T	24.3/38.1
R139	7030005090	S.RES ERJ2GEJ 104 X (100K)	B	93.2/26.7
R200	7030005120	S.RES ERJ2GEJ 102 X (1K)	T	55.4/48.4
R201	7030005050	S.RES ERJ2GEJ 103 X (10K)	T	54.2/48.9
R202	7030005220	S.RES ERJ2GEJ 223 X (22K)	T	25/27.7
R203	7030007290	S.RES ERJ2GEJ 222 X (2.2K)	T	21.1/26.3
R204	7030005110	S.RES ERJ2GEJ 224 X (220K)	B	33.7/34.8
R205	7030008010	S.RES ERJ2GEJ 123 X (12K)	B	35.2/32.2
R206	7030005570	S.RES ERJ2GEJ 820 X (82)	T	57.8/46.6
R207	7030009530	S.RES ERJ2GEJ 270 X (27)	T	53.1/47.4
R208	7030009530	S.RES ERJ2GEJ 270 X (27)	T	51.5/47.4
R210	7030005090	S.RES ERJ2GEJ 104 X (100K)	B	95.9/34.7
R211	7030005220	S.RES ERJ2GEJ 223 X (22K)	T	49.5/37.2
R212	7030007290	S.RES ERJ2GEJ 222 X (2.2K)	T	53.8/38.8
R213	7030005090	S.RES ERJ2GEJ 104 X (100K)	B	91.4/15.3
R215	7030005160	S.RES ERJ2GEJ 105 X (1M)	B	93.2/20.7
R216	7030008010	S.RES ERJ2GEJ 123 X (12K)	B	93.2/15.3
R217	7030005530	S.RES ERJ2GEJ 100 X (10)	B	89.3/20.7
R220	7030005050	S.RES ERJ2GEJ 103 X (10K)	B	95.9/32.7
R221	7030005050	S.RES ERJ2GEJ 103 X (10K)	B	95.9/40.3
R222	7030008260	S.RES RR0510P-393-D (39K)	B	69.4/11.3
R223	7030008410	S.RES ERJ2GEJ 392 X (3.9K)	B	71/11.3
R224	7510001770	S.THE NTCG10 4LH 473JT	T	56.8/46
R225	7030010080	S.RES ERJ2RHD 104 X (100K)	T	57.6/44.8
R226	7030005120	S.RES ERJ2GEJ 102 X (1K)	B	81/41.7
R227	7030005120	S.RES ERJ2GEJ 102 X (1K)		



[MAIN UNIT]

REF NO.	PARTS NO.	DESCRIPTION	M.	H/V LOCATION
R256	7030010040	S.RES ERJ2GEJ-JPW	B	95.9/38.7
R300	7030005210	S.RES ERJ2GEJ 822 X (8.2K)	T	58.4/14.9
R301	7030007320	S.RES ERJ2GEJ 225 X (2.2M)	T	54.5/33.1
R302	7030007300	S.RES ERJ2GEJ 332 X (3.3K)	T	57.1/17.1
R303	7030005050	S.RES ERJ2GEJ 103 X (10K)	T	54.3/28.1
R304	7030006610	S.RES ERJ2GEJ 394 X (390K)	T	55.5/29
R305	7030005720	S.RES ERJ2GEJ 563 X (56K)	T	55.5/25.1
R306	7030008310	S.RES ERJ2GEJ 564 X (560K)	T	55.1/26.4
R307	7030010040	S.RES ERJ2GEJ-JPW	T	54.6/25.1
R308	7030005210	S.RES ERJ2GEJ 822 X (8.2K)	T	58.4/16.7
R309	7030007570	S.RES ERJ2GEJ 122 X (1.2K)	T	53.7/18.1
R310	7030007300	S.RES ERJ2GEJ 332 X (3.3K)	T	57.1/14.7
R313	7030005050	S.RES ERJ2GEJ 103 X (10K)	T	54.6/22.7
R316	7030008290	S.RES ERJ2GEJ 183 X (18K)	T	56/13
R319	7030005120	S.RES ERJ2GEJ 102 X (1K)	T	47.5/13.7
R322	7030007320	S.RES ERJ2GEJ 225 X (2.2M)	T	47/6.4
R325	7030004980	S.RES ERJ2GEJ 101 X (100)	T	50.9/5.5
R326	7030005030	S.RES ERJ2GEJ 152 X (1.5K)	T	51.8/5.5
R327	7030010040	S.RES ERJ2GEJ-JPW	T	50.6/13.5
R328	7030007570	S.RES ERJ2GEJ 122 X (1.2K)	T	53.1/5.9
R330	7030008400	S.RES ERJ2GEJ 182 X (1.8K)	B	51.2/4.9
R331	7030005220	S.RES ERJ2GEJ 223 X (22K)	T	55.9/7.2
R334	7410001220	S.ARR EXB28V103JX	T	57.4/8.5
R335	7030005050	S.RES ERJ2GEJ 103 X (10K)	T	54.3/2.1
R336	7030007570	S.RES ERJ2GEJ 122 X (1.2K)	T	53.1/4.1
R337	7030007060	S.RES ERJ2GEJ 684X (680K)	T	57.7/25.1
R339	7030007570	S.RES ERJ2GEJ 122 X (1.2K)	T	54.7/6.1
R340	7030005210	S.RES ERJ2GEJ 822 X (8.2K)	T	46.3/17.9
R342	7030005220	S.RES ERJ2GEJ 223 X (22K)	T	55/9.1
R343	7030005220	S.RES ERJ2GEJ 223 X (22K)	T	55/7.4
R344	7030007290	S.RES ERJ2GEJ 222 X (2.2K)	B	49.9/9.3
R345	7030005120	S.RES ERJ2GEJ 102 X (1K)	B	52.3/9.1
R347	7030004980	S.RES ERJ2GEJ 101 X (100)	T	56.4/25.6
R348	7030007320	S.RES ERJ2GEJ 225 X (2.2M)	B	51.1/9.7
R349	7030005220	S.RES ERJ2GEJ 223 X (22K)	T	55.9/9.7
R350	7030005120	S.RES ERJ2GEJ 102 X (1K)	B	46.5/41.1
R351	7030012270	S.RES ERJ2RKD 1203X (120K)	B	47.8/4.0
R352	7030008270	S.RES RR0510P-104-D (100K)	B	52.8/10.6
R353	7030005100	S.RES ERJ2GEJ 154 X (150K)	B	45.2/39.5
R354	7030007320	S.RES ERJ2GEJ 225 X (2.2M)	B	52.6/7.2
R355	7030008270	S.RES RR0510P-104-D (100K)	B	56.4/7.1
R356	7030005240	S.RES ERJ2GEJ 473 X (47K)	B	55/15.9
R357	7030005810	S.RES RR0510P-152-D (1.5K)	B	52.6/39.3
R358	7030005120	S.RES ERJ2GEJ 102 X (1K)	B	51.4/16.2
R359	7030007340	S.RES ERJ2GEJ 153 X (15K)	B	44.7/41.2
R360	7030005040	S.RES ERJ2GEJ 472 X (4.7K)	B	51.4/14.5
R361	7030005060	S.RES ERJ2GEJ 333 X (33K)	B	43.8/42.2
R362	7030005720	S.RES ERJ2GEJ 563 X (56K)	B	45.2/42.4
R363	7030008260	S.RES RR0510P-393-D (39K)	B	51.9/18.3
R364	7030004990	S.RES ERJ2GEJ 221 X (220)	B	40.8/6.9
R365	7030005830	S.RES RR0510P-223-D (22K) [EUR]	B	50.7/7.3
	7030005830	S.RES RR0510P-223-D (22K) [UK]		
	7030005830	S.RES RR0510P-223-D (22K) [TPE]		
	7030008260	S.RES RR0510P-393-D (39K) [USA]		
	7030005830	S.RES RR0510P-223-D (22K) [KOR]		
	7030005830	S.RES RR0510P-223-D (22K) [AUS]		
	7030005830	S.RES RR0510P-223-D (22K) [CHN]		
	7030005830	S.RES RR0510P-223-D (22K) [EXP]		
	7030005830	S.RES RR0510P-223-D (22K) [EXP-01]		
	7030005830	S.RES RR0510P-223-D (22K) [RSP]		
R366	7030005820	S.RES RR0510P-103-D (10K)	T	51.9/17.4
R367	7030005000	S.RES ERJ2GEJ 471 X (470)	B	50.2/43.4
R368	7030005220	S.RES ERJ2GEJ 223 X (22K)	B	40.8/10.3
R369	7030008250	S.RES RR0510P-562-D (5.6K) [EUR]	B	49.4/6.8
	7030008250	S.RES RR0510P-562-D (5.6K) [UK]		
	7030008250	S.RES RR0510P-562-D (5.6K) [TPE]		
	7030008250	S.RES RR0510P-103-D (10K) [USA]		
	7030008250	S.RES RR0510P-562-D (5.6K) [KOR]		
	7030008250	S.RES RR0510P-562-D (5.6K) [AUS]		
	7030008250	S.RES RR0510P-562-D (5.6K) [CHN]		
	7030008250	S.RES RR0510P-562-D (5.6K) [EXP]		
	7030008250	S.RES RR0510P-562-D (5.6K) [EXP-01]		
	7030008250	S.RES RR0510P-562-D (5.6K) [RSP]		
R370	7030005050	S.RES ERJ2GEJ 103 X (10K)	B	41.7/10.3
R371	7030004970	S.RES ERJ2GEJ 470 X (47)	B	53.2/16.7
R372	7030009270	S.RES ERJ2GEJ 821 X (820)	B	56.6/18.5
R373	7030004970	S.RES ERJ2GEJ 470 X (47)	B	48/7.3
R374	7030008370	S.RES ERJ2GEJ 561 X (560) [EUR]	B	49.4/3
	7030008370	S.RES ERJ2GEJ 561 X (560) [UK]		
	7030008370	S.RES ERJ2GEJ 561 X (560) [TPE]		
	7030009270	S.RES ERJ2GEJ 821 X (820) [USA]		
	7030008370	S.RES ERJ2GEJ 561 X (560) [KOR]		
	7030008370	S.RES ERJ2GEJ 561 X (560) [AUS]		
	7030008370	S.RES ERJ2GEJ 561 X (560) [CHN]		
	7030008370	S.RES ERJ2GEJ 561 X (560) [EXP]		
	7030008370	S.RES ERJ2GEJ 561 X (560) [EXP-01]		
	7030008370	S.RES ERJ2GEJ 561 X (560) [RSP]		
R375	7030005710	S.RES ERJ2GEJ 121 X (120)	B	47.6/19.4
R376	7030007280	S.RES ERJ2GEJ 331 X (330)	B	41.2/12.4
R377	7030005050	S.RES ERJ2GEJ 103 X (10K)	B	47.6/5.6
R378	7030008410	S.RES ERJ2GEJ 392 X (3.9K)	B	48.2/3.7
R379	7030005090	S.RES ERJ2GEJ 104 X (100K)	T	54.7/44.8
R380	7030005050	S.RES ERJ2GEJ 103 X (10K)	B	47.2/18.1
R381	7030008410	S.RES ERJ2GEJ 392 X (3.9K)	B	48.6/18.5
R382	7030004980	S.RES ERJ2GEJ 101 X (100)	B	47.1/7.3
R383	7030009280	S.RES ERJ2GEJ 391 X	B	55.1/41.1
R384	7030008400	S.RES ERJ2GEJ 182 X (1.8K)	B	49.1/47.8
R385	7030005000	S.RES ERJ2GEJ 471 X (470)	B	47/14.9
R386	7030005040	S.RES ERJ2GEJ 472 X (4.7K)	B	47.7/13.1
R387	7030005040	S.RES ERJ2GEJ 472 X (4.7K)	B	46.2/8.9
R388	7030009190	S.RES RR0510P-332-D (3.3K)	B	53.1/49.9
R389	7030005240	S.RES ERJ2GEJ 473 X (47K)	B	56.2/49.5
R390	7030005240	S.RES ERJ2GEJ 473 X (47K)	B	58/49.5
R391	7030005590	S.RES ERJ2GEJ 680 X (68)	B	56.9/47.2
R392	7030005000	S.RES ERJ2GEJ 471 X (470)	B	56/41.1

[MAIN UNIT]

REF NO.	PARTS NO.	DESCRIPTION	M.	H/V LOCATION
R393	7030005000	S.RES ERJ2GEJ 471 X (470)	B	59.4/44.5
R395	7030005040	S.RES ERJ2GEJ 472 X (4.7K)	B	42.8/12.8
R396	7030005240	S.RES ERJ2GEJ 473 X (47K)	B	57.4/38.9
R399	7030005040	S.RES ERJ2GEJ 472 X (4.7K)	B	39.8/22.9
R400	7030005040	S.RES ERJ2GEJ 472 X (4.7K)	B	36.8/24.5
R402	7030005710	S.RES ERJ2GEJ 121 X (120)	B	41.1/22.6
R404	7030004970	S.RES ERJ2GEJ 470 X (47)	B	42/24.2
R405	7030010040	S.RES ERJ2GEJ-JPW	B	36.6/27.1
R406	7030005710	S.RES ERJ2GEJ 121 X (120)	B	42/22.6
R408	7030004980	S.RES ERJ2GEJ 101 X (100)	B	56.9/23.8
R409	7030007280	S.RES ERJ2GEJ 331 X (330)	B	54.8/23.3
R410	7030004980	S.RES ERJ2GEJ 101 X (100)	B	58.4/22.9
R411	7030005040	S.RES ERJ2GEJ 472 X (4.7K)	T	41.8/16.8
R412	7030007290	S.RES ERJ2GEJ 222 X (2.2K)	B	44.6/17.8
R500	7030004990	S.RES ERJ2GEJ 221 X (220)	B	50.4/22.9
R502	7030010040	S.RES ERJ2GEJ-JPW	T	42.5/18.4
R503	7030005090	S.RES ERJ2GEJ 104 X (100K)	B	45/27.2
R505	7030005220	S.RES ERJ2GEJ 223 X (22K)	T	44.7/2.9
R507	7030005080	S.RES ERJ2GEJ 102 X (82K)	B	45.9/27.2
R508	7030005100	S.RES ERJ2GEJ 154 X (150K)	B	47.2/26.9
R509	7030005060	S.RES ERJ2GEJ 333 X (33K)	T	43.4/1.7
R510	7030005120	S.RES ERJ2GEJ 102 X (1K)	T	39.6/19.4
R512	7030005530	S.RES ERJ2GEJ 100 X (10)	T	42.1/7.8
R513	7030005230	S.RES ERJ2GEJ 334 X (330K)	T	42.9/4.8
R514	7030005160	S.RES ERJ2GEJ 105 X (1M)	T	41.3/4.8
R515	7030005120	S.RES ERJ2GEJ 102 X (1K)	T	38.7/16.6
R516	7030005050	S.RES ERJ2GEJ 103 X (10K)	B	34.3/17.1
R517	7030005120	S.RES ERJ2GEJ 102 X (1K)	T	39.3/14.9
R518	7030005810	S.RES RR0510P-152-D (1.5K)	B	35.7/16.6
R519	7030007300	S.RES ERJ2GEJ 332 X (3.3K)	T	39.3/14
R520	7030005210	S.RES ERJ2GEJ 823 X (8.2K)	T	41.4/13.6
R521	7030005090	S.RES ERJ2GEJ 104 X (100K)	B	34.7/21.5
R522	7030004980	S.RES ERJ2GEJ 101 X (100)	B	35.9/15
R523	7030010010	S.RES ERJ2RFK 334 X (330K)	B	34.1/3.4
R524	7030005220	S.RES ERJ2GEJ 223 X (22K)	B	37.6/5.4
R525	7030005090	S.RES ERJ2GEJ 104 X (100K)	B	31.4/20.6
R527	7030005160	S.RES ERJ2GEJ 105 X (1M)	B	36.5/3.4
R528	7030009280	S.RES ERJ2GEJ 391 X	T	40.1/5.2
R529	7030005060	S.RES ERJ2GEJ 333 X (33K)	B	37.9/7.4
R530	7030005090	S.RES ERJ2GEJ 104 X (100K)	B	28.4/20.7
R532	7030004970	S.RES ERJ2GEJ 470 X (47)	T	38.4/7.3
R533	7030005240	S.RES ERJ2GEJ 473 X (47K)	T	38.6/2.9
R534	7030008310	S.RES ERJ2GEJ 564 X (560K)	B	36.8/13.2
R535	7030004970	S.RES ERJ2GEJ 470 X (47)	B	25.2/22.9
R536	7030005010	S.RES ERJ2GEJ 681 X (680)	B	27.3/25.1
R537	7030009190	S.RES RR0510P-332-D (3.3K)	B	37.7/3.8
R538	7030007340	S.RES ERJ2GEJ 153 X (15K)	B	35.5/13.6
R539	7030007340	S.RES ERJ2GEJ 153 X (15K)	B	34.3/13.2
R540	7030005050	S.RES ERJ2GEJ 103 X (10K)	B	37.2/15.4
R541	7030007270	S.RES ERJ2GEJ 101 X (150)	B	24.1/21.7
R542	7030004970	S.RES ERJ2GEJ 470 X (47)	B	24.1/24.8
R543	7030004980	S.RES ERJ2GEJ 101 X (100)	T	33/6.1
R544	7030005090	S.RES ERJ2GEJ 104 X (100K)	B	36.9/19.8
R547	7030008260	S.RES RR0510P-393-D (39K)	B	20.2/22.2
R548	7030005050	S.RES ERJ2GEJ 103 X (10K)	B	17.3/16.4
R549	7030010430	S.RES ERJ2GEJ 120 X (12)	T	32.1/10
R550	7030007340	S.RES ERJ2GEJ 153 X (15K)	T	31.2/6.1
R551	7030010040	S.RES ERJ2GEJ-JPW	B	20.9/19
R552	7030005090	S.RES ERJ2GEJ 104 X (100K)	B	20.6/17.8
R554	7030004990	S.RES ERJ2GEJ 221 X (220)	B	43.8/26.8
R555	7030005120	S.RES ERJ2GEJ 102 X (1K)	T	11.4/10.4
R556	7030010040	S.RES ERJ2GEJ-JPW	T	14.7/9.2
R557	7030005080	S.RES ERJ2GEJ 823 X (82K)	B	40.2/32.2
R558	7030005100	S.RES ERJ2GEJ 154 X (150K)	B	41.4/31
R559	7030005060	S.RES ERJ2GEJ 333 X (33K)	B	14.5/14.9
R560	7030005090	S.RES ERJ2GEJ 104 X (100K)	B	39.3/32.2
R561	7030007270	S.RES ERJ2GEJ 151 X (150)	T	7.5/10.2
R562	7030004980	S.RES ERJ2GEJ 101 X (100)	T	10.5/6.6
R564	7510001770	S.THE NTCG10 4LH 473JT	B	22.7/8.1
R566	7030005820	S.RES RR0510P-103-D (10K)	B	21.8/8.1
R567	7030005090	S.RES ERJ2GEJ 104 X (100K)	B	32.7/28.9
R568	7030007270	S.RES ERJ2GEJ 151 X (150)	T	12.1/8.7
R569	7030005240	S.RES ERJ2GEJ 473 X (47K)	B	16.9/14.9
R570	7030004970	S.RES ERJ2GEJ 470 X (47)	T	9.4/10.4
R571	7030005090	S.RES ERJ2GEJ 104 X (100K)	B	29.4/28.9
R572	7030005050	S.RES ERJ2GEJ 103 X (10K)	B	10.9/15.3
R573	7030005240	S.RES ERJ2GEJ 473 X (47K)	B	15.9/15.8
R574	7030005080	S.RES ERJ2GEJ 823 X (82K)	B	12.1/14.9
R575	7030004970	S.RES ERJ2GEJ 470 X (47)	B	21.4/30.7
R576	7030005090	S.RES ERJ2GEJ 104 X (100K)	B	28/28.6
R577	7030005040	S.RES ERJ2GEJ 472 X (4.7K)	B	22.6/30.3
R578	7030003860			

[MAIN UNIT]

REF NO.	PARTS NO.	DESCRIPTION	M.	H/V LOCATION
R817	7030004970	S.RES ERJ2GEJ 470 X (47)	B	44.9/12.9
R818	7030005220	S.RES ERJ2GEJ 223 X (22K)	B	45/15.3
R819	7030005050	S.RES ERJ2GEJ 103 X (10K)	B	44/14
R820	7030005090	S.RES ERJ2GEJ 104 X (100K)	T	47.1/27.9
R821	7030005090	S.RES ERJ2GEJ 104 X (100K)	T	46.3/31.2
R822	7030003860	S.RES ERJ3GE JPW V	B	9.6/17.3
R823	7030003860	S.RES ERJ3GE JPW V	B	10.9/17.3
R824	7030010040	S.RES ERJ2GEJ-JPW	T	33/14.7
R825	7030004040	S.RES ERJ3GEYJ 4R7 V (4.7)	B	11/49.3
R826	7030004040	S.RES ERJ3GEYJ 4R7 V (4.7)	B	13.4/48.9
R827	7030004040	S.RES ERJ3GEYJ 4R7 V (4.7)	B	13.4/50.1
C2	4030019740	S.CER C1005 JB 1H 102K-T	T	12.5/50.4
C4	4030011320	S.CER C1005 CH 1H 470J-T	T	4.4/29.2
C5	4030009800	S.CER C1005 JB 1H 471K-T	T	92.7/25.4
C7	4030019740	S.CER C1005 JB 1H 102K-T	B	1.8/17.4
C8	4030019740	S.CER C1005 JB 1H 102K-T	T	3.8/24.7
C9	4520000020	S.NIO NOJC227M006	T	12.2/45.4
C10	4030019970	S.CER C1005 JB 0J 105K-T	T	50.4/29.3
C11	4520000020	S.NIO NOJC227M006	B	13.1/44.9
C13	4030019900	S.CER C1005 JB 1A 473K-T	T	43.1/35.5
C14	4030019950	S.CER C1005 JB 0J 224K-T	T	32.3/42.9
C15	4550007090	S.TAN TEESVA 1A 226M8R	B	8.1/23.5
C16	4030019740	S.CER C1005 JB 1H 102K-T	T	37/35.5
C17	4030013910	S.CER C1005 JB 1H 472K-T	T	34.8/35.3
C18	4030009800	S.CER C1005 JB 1H 471K-T	T	34.8/34.4
C19	4030019900	S.CER C1005 JB 1A 473K-T	T	4.7/24.7
C20	4030019860	S.CER C1005 JB 1E 223K-T	B	8.6/34.1
C21	4030019930	S.CER C1005 JB 1A 104K-T	B	9.5/34.1
C22	4030019970	S.CER C1005 JB 0J 105K-T	B	10.4/34.1
C23	4030019930	S.CER C1005 JB 1A 104K-T	B	7.7/34.1
C24	4030011300	S.CER C1005 CH 1H 121J-T	T	36.1/33.7
C25	4030019950	S.CER C1005 JB 0J 224K-T	T	34.8/36.2
C26	4030009800	S.CER C1005 JB 1H 471K-T	T	34.8/33.5
C27	4030019740	S.CER C1005 JB 1H 102K-T	T	39.3/30.8
C28	4030019740	S.CER C1005 JB 1H 102K-T	T	30.3/30.2
C29	4550006250	S.TAN TEESVA 1A 106M8R	T	37.8/29.5
C30	4030019560	S.CER GRM21BB31C106KE15L	T	29.5/31.6
C33	4030013910	S.CER C1005 JB 1H 472K-T	T	39.6/28
C34	4030019740	S.CER C1005 JB 1H 102K-T	T	37.9/34.1
C35	4030013870	S.CER C1005 JB 1H 681K-T	T	37.3/25.3
C36	4030019560	S.CER GRM21BB31C106KE15L	T	30.4/25
C39	4030019930	S.CER C1005 JB 1A 104K-T	T	31.6/36.2
C40	4030019560	S.CER GRM21BB31C106KE15L	T	38.3/23.2
C41	4030019930	S.CER C1005 JB 1A 104K-T	T	35.9/23.8
C42	4030013880	S.CER C1005 JB 1H 222K-T	T	39.2/26.8
C43	4030019740	S.CER C1005 JB 1H 102K-T	T	34.3/24.7
C44	4550007970	S.TAN TMCMC1A107MTRF	T	16.6/40.6
C45	4030019970	S.CER C1005 JB 0J 105K-T	T	33.8/37.1
C47	4030019970	S.CER C1005 JB 0J 105K-T	T	33.8/38
C48	4030019740	S.CER C1005 JB 1H 102K-T	T	24.5/46.7
C49	4550006250	S.TAN TEESVA 1A 106M8R	T	21.1/44.7
C50	4030019930	S.CER C1005 JB 1A 104K-T	B	37.1/42.5
C51	4030019740	S.CER C1005 JB 1H 102K-T	B	9.4/49.9
C52	4030019740	S.CER C1005 JB 1H 102K-T	T	24.6/49.9
C53	4030019930	S.CER C1005 JB 1A 104K-T	T	45.9/37.1
C54	4030019810	S.CER C1005 JB 1E 103K-T	B	37.5/32.7
C55	4550006250	S.TAN TEESVA 1A 106M8R	B	39.8/34.2
C56	4030019810	S.CER C1005 JB 1E 103K-T	B	41.4/24.4
C57	4030019760	S.CER C1005 JB 1H 272K-T	T	43.7/39.2
C58	4030013900	S.CER C1005 JB 1H 182K-T	T	47.3/41.1
C59	4030019800	S.CER C1005 JB 1H 682K-T	T	50.7/40.6
C60	4030019810	S.CER C1005 JB 1E 103K-T	T	52.6/28.8
C61	4030019810	S.CER C1005 JB 1E 103K-T	T	44.6/41.1
C62	4030019740	S.CER C1005 JB 1H 102K-T	T	47.6/36.2
C63	4030019880	S.CER C1005 JB 1A 333K-T	T	47.5/41.1
C64	4030019740	S.CER C1005 JB 1H 102K-T	T	45.8/42.9
C65	4030019880	S.CER C1005 JB 1A 333K-T	T	52.3/40.6
C66	4030013880	S.CER C1005 JB 1H 222K-T	T	53.6/40.8
C67	4030019810	S.CER C1005 JB 1E 103K-T	T	55.9/43.2
C68	4030019840	S.CER C1005 JB 1E 153K-T	T	46.6/44.5
C69	4030019810	S.CER C1005 JB 1E 103K-T	T	47.5/44.5
C70	4030019880	S.CER C1005 JB 1A 333K-T	T	58.4/39
C71	4030013880	S.CER C1005 JB 1H 222K-T	T	58.4/38.1
C72	4030011320	S.CER C1005 CH 1H 470J-T	T	9.2/36
C74	4030019740	S.CER C1005 JB 1H 102K-T	T	20.2/50
C75	4030017490	S.CER C1608 JB 1A 105K-T	B	90.3/19.2
C76	4030017490	S.CER C1608 JB 1A 105K-T	B	90.2/22.4
C77	4030017490	S.CER C1608 JB 1A 105K-T	B	90.2/23.7
C78	4030017490	S.CER C1608 JB 1A 105K-T	B	90.2/25
C79	4030017490	S.CER C1608 JB 1A 105K-T	B	89.5/26.9
C101	4030019740	S.CER C1005 JB 1H 102K-T	[EUR] T	36.2/43
	4030019740	S.CER C1005 JB 1H 102K-T	[UK]	
	4030019740	S.CER C1005 JB 1H 102K-T	[TPE]	
	4030019740	S.CER C1005 JB 1H 102K-T	[KOR]	
	4030019740	S.CER C1005 JB 1H 102K-T	[AUS]	
	4030019740	S.CER C1005 JB 1H 102K-T	[CHN]	
	4030019740	S.CER C1005 JB 1H 102K-T	[EXP]	
	4030019740	S.CER C1005 JB 1H 102K-T	[EXP-01]	
	4030019740	S.CER C1005 JB 1H 102K-T	[RSP]	
C102	4030019740	S.CER C1005 JB 1H 102K-T	B	16.7/31.9
C104	4030019740	S.CER C1005 JB 1H 102K-T	T	18.9/35.6
C105	4030019740	S.CER C1005 JB 1H 102K-T	[EUR] T	33.3/44.2
	4030019740	S.CER C1005 JB 1H 102K-T	[UK]	
	4030019740	S.CER C1005 JB 1H 102K-T	[TPE]	
	4030019740	S.CER C1005 JB 1H 102K-T	[KOR]	
	4030019740	S.CER C1005 JB 1H 102K-T	[AUS]	
	4030019740	S.CER C1005 JB 1H 102K-T	[CHN]	
	4030019740	S.CER C1005 JB 1H 102K-T	[EXP]	
	4030019740	S.CER C1005 JB 1H 102K-T	[EXP-01]	
	4030019740	S.CER C1005 JB 1H 102K-T	[RSP]	
C106	4030011660	S.CER C1005 CH 1H 020B-T	T	18.9/34.7
C107	4030019740	S.CER C1005 JB 1H 102K-T	T	18.1/32
C108	4510009990	S.ELE EEEHA1C100R	T	39.7/39.8

[MAIN UNIT]

REF NO.	PARTS NO.	DESCRIPTION	M.	H/V LOCATION
C109	4030019740	S.CER C1005 JB 1H 102K-T	T	24.2/30.3
C110	4030019810	S.CER C1005 JB 1E 103K-T	T	76.8/11.8
C111	4030019930	S.CER C1005 JB 1A 104K-T	B	91.2/43
C112	4030019970	S.CER C1005 JB 0J 105K-T	B	94.1/45.9
C113	4550006250	S.TAN TEESVA 1A 106M8R	B	95.6/43.3
C114	4030010250	S.CER C1005 CH 1H 101J-T	T	16.5/26.9
C115	4030019740	S.CER C1005 JB 1H 102K-T	T	12.8/23.7
C116	4030019740	S.CER C1005 JB 1H 102K-T	B	30.2/45.5
C117	4030019740	S.CER C1005 JB 1H 102K-T	B	83/49.7
C118	4030019740	S.CER C1005 JB 1H 102K-T	B	84.3/45.7
C119	4030019740	S.CER C1005 JB 1H 102K-T	T	15.6/25.3
C120	4030019740	S.CER C1005 JB 1H 102K-T	T	15.6/29.3
C121	4030019740	S.CER C1005 JB 1H 102K-T	T	18.1/30.2
C122	4030019740	S.CER C1005 JB 1H 102K-T	T	18.7/22.2
C124	4030019740	S.CER C1005 JB 1H 102K-T	B	25.6/48.7
C125	4030019740	S.CER C1005 JB 1H 102K-T	B	85/44.5
C126	4030019740	S.CER C1005 JB 1H 102K-T	B	85.4/42.2
C127	4030019740	S.CER C1005 JB 1H 102K-T	T	29.5/35.6
C128	4030019740	S.CER C1005 JB 1H 102K-T	T	24.2/32.5
C129	4030019560	S.CER GRM21BB31C106KE15L	B	24.4/34.4
C130	4550006250	S.TAN TEESVA 1A 106M8R	T	28.7/38.7
C131	4030019930	S.CER C1005 JB 1A 104K-T	T	27.9/34.7
C132	4030019740	S.CER C1005 JB 1H 102K-T	B	30/32.8
C133	4550007090	S.TAN TEESVA 1A 226M8R	B	32.1/34.9
C134	4030019930	S.CER C1005 JB 1A 104K-T	B	72.6/46
C135	4030019560	S.CER GRM21BB31C106KE15L	B	22.7/34.4
C200	4030019740	S.CER C1005 JB 1H 102K-T	T	55.1/49.8
C201	4030019560	S.CER GRM21BB31C106KE15L	T	57.4/49
C202	4030019740	S.CER C1005 JB 1H 102K-T	T	56/49.8
C203	4550005980	S.TAN TEESVA 1A 475M8R	T	28/23.6
C204	4030019810	S.CER C1005 JB 1E 103K-T	T	23.7/26.6
C205	4030019740	S.CER C1005 JB 1H 102K-T	B	33.7/33.1
C206	4550005980	S.TAN TEESVA 1A 475M8R	T	56.4/36.5
C207	4030019810	S.CER C1005 JB 1E 103K-T	T	50.2/38.5
C208	4030019740	S.CER C1005 JB 1H 102K-T	T	52.3/46.2
C209	4030019740	S.CER C1005 JB 1H 102K-T	T	24.3/25.1
C210	4550007090	S.TAN TEESVA 1A 226M8R	T	25.9/24.2
C211	4030019930	S.CER C1005 JB 1A 104K-T	B	95.9/28.3
C212	4030019870	S.CER C1005 JB 1A 273K-T	B	94.2/25
C213	4030019810	S.CER C1005 JB 1E 103K-T	B	91.4/18
C214	4030009770	S.CER C1005 CH 1H 220J-T	B	93.2/19
C215	4030009750	S.CER C1005 CH 1H 120J-T	B	91.8/19.4
C216	4030019740	S.CER C1005 JB 1H 102K-T	B	95.9/29.3
C217	4030019810	S.CER C1005 JB 1E 103K-T	B	92.3/15.3
C218	4030009800	S.CER C1005 JB 1H 471K-T	B	90.9/30.8
C219	4030009760	S.CER C1005 CH 1H 150J-T	B	91.4/20.7
C222	4030019780	S.CER C1005 JB 1H 392K-T	B	69.4/10.4
C223	4030019880	S.CER C1005 JB 1A 333K-T	B	70.6/10.1
C224	4030013910	S.CER C1005 JB 1H 472K-T	B	71/39.8
C225	4030013910	S.CER C1005 JB 1H 472K-T	B	76.4/41.7
C226	4030013910	S.CER C1005 JB 1H 472K-T	B	74.6/41.7
C227	4030013910	S.CER C1005 JB 1H 472K-T	B	72.2/36.9
C229	4030019810	S.CER C1005 JB 1E 103K-T	B	92.6/12.5
C233	4030019740	S.CER C1005 JB 1H 102K-T	B	70.5/35.4
C234	4030013910	S.CER C1005 JB 1H 472K-T	B	79.2/39.3
C235	4030013910	S.CER C1005 JB 1H 472K-T	B	73.7/41.7
C236	4030013910	S.CER C1005 JB 1H 472K-T	B	81.9/41.7
C237	4030013910	S.CER C1005 JB 1H 472K-T	B	79.4/40.5
C238	4030013910	S.CER C1005 JB 1H 472K-T	B	72.8/41.7
C239	4030013910	S.CER C1005 JB 1H 472K-T	B	74.2/43
C240	4030014260	S.CER C1005 JB 1H 331K-T	B	74.2/44.8
C241	4030019770	S.CER C1005 JB 1H 332K-T	T	48/45.8
C242	4030019810	S.CER C1005 JB 1E 103K-T	B	89.3/18.2
C243	4030019740	S.CER C1005 JB 1H 102K-T	B	20/6.9
C244	4030019970	S.CER C1005 JB 0J 105K-T	B	70.5/34.5
C250	4030019930	S.CER C1005 JB 1A 104K-T	B	3.3/49
C251	4030019930	S.CER C1005 JB 1A 104K-T	T	6.8/39.1
C252	4030019930	S.CER C1005 JB 1A 104K-T	B	4.9/49
C253	4030019930	S.CER C1005 JB 1A 104K-T	T	7.8/39.1
C254	4030009770	S.CER C1005 CH 1H 220J-T	B	69.7/36.3
C255	4030009770	S.CER C1005 CH 1H 220J-T	B	69.4/37.7
C256	4030009770	S.CER C1005 CH 1H 220J-T	B	68.7/38.6
C257	4030009770	S.CER C1005 CH 1H 220J-T	B	68.7/39.5
C258	4030009770	S.CER C1005 CH 1H 220J-T	B	67.2/39.3
C259	4030009770	S.CER C1005 CH 1H 220J-T	B	66.3/39.3
C260	4030009770	S.CER C1005 CH 1H 220J-T	B	65.4/39.3
C261	4030009770	S.CER C1005 CH 1H 220J-T	B	65.8/40.5
C262	4030009770	S.CER C1005 CH 1H 220J-T	B	64.3/39.3
C263	4030009770	S.CER C1005 CH 1H 220J-T	B	



[MAIN UNIT]

REF NO.	PARTS NO.	DESCRIPTION	M.	H/V LOCATION
C290	4030009770	S.CER C1005 CH 1H 220J-T	B	69/13
C300	4030019970	S.CER C1005 JB 0J 105K-T	T	54.5/30.2
C301	4030019970	S.CER C1005 JB 0J 105K-T	T	54.5/31.1
C302	4030019740	S.CER C1005 JB 1H 102K-T	T	55.5/28.1
C303	4030019740	S.CER C1005 JB 1H 102K-T	T	45/4.4
C304	4030019810	S.CER C1005 JB 1E 103K-T	T	55.1/23.9
C306	4030019740	S.CER C1005 JB 1H 102K-T	T	55/20.3
C307	4030019560	S.CER GRM21BB31C106KE15L	T	56.4/20.3
C308	4030009740	S.CER C1005 CH 1H 100C-T	T	51.6/19.7
C309	4550006250	S.TAN TEESVA 1A 106M8R	T	58.3/20
C310	4030019970	S.CER C1005 JB 0J 105K-T	T	49/14.8
C311	4030019740	S.CER C1005 JB 1H 102K-T	T	47.5/15.4
C314	4030019930	S.CER C1005 JB 1A 104K-T	T	57.2/11.8
C315	4030019740	S.CER C1005 JB 1H 102K-T	T	44.8/14.7
C316	4030011320	S.CER C1005 CH 1H 470J-T	T	56/11.4
C317	4030019970	S.CER C1005 JB 0J 105K-T	T	49/13.9
C318	4030009800	S.CER C1005 JB 1H 471K-T	T	57.2/10.9
C319	4030019930	S.CER C1005 JB 1A 104K-T	T	45.5/8.8
C320	4030019740	S.CER C1005 JB 1H 102K-T	T	49/15.7
C321	4030009800	S.CER C1005 JB 1H 471K-T	T	45.5/9.7
C325	4030019740	S.CER C1005 JB 1H 102K-T	T	47/5.5
C328	4550000530	S.TAN TEESVA 1V 104M8R	T	49.4/3.3
C329	4030019740	S.CER C1005 JB 1H 102K-T	T	45.5/10.6
C330	4030019740	S.CER C1005 JB 1H 102K-T	T	55.2/1.8
C331	4030019930	S.CER C1005 JB 1A 104K-T	T	53.1/5
C332	4030019740	S.CER C1005 JB 1H 102K-T	T	55.5/3
C333	4030009740	S.CER C1005 CH 1H 100C-T	T	55.5/22.7
C334	4550002980	S.TAN TEESVA 1C 225M8R	T	56.4/4.5
C335	4030011320	S.CER C1005 CH 1H 470J-T	T	46.6/19.6
C336	4030019810	S.CER C1005 JB 1E 103K-T	T	56.9/26.9
C337	4030010090	S.CER C1005 CH 1H 560J-T	T	57.9/29.4
C338	4030011700	S.CER C1005 CH 1H 040B-T	T	56.7/29.9
C339	4030019740	S.CER C1005 JB 1H 102K-T	T	58.4/2
C340	4550000550	S.TAN TEESVA 1V 224M8R	B	56.7/11.5
C341	4030019930	S.CER C1005 JB 1A 104K-T	B	52.6/8.1
C342	4030009710	S.CER C1005 CH 1H 070C-T	T	57.9/30.4
C343	4030011320	S.CER C1005 CH 1H 470J-T	T	48/20.9
C345	4030019740	S.CER C1005 JB 1H 102K-T	B	49.9/10.2
C346	4030009800	S.CER C1005 JB 1H 471K-T	B	46.4/39.9
C347	4030011680	S.CER C1005 CH 1H 030B-T	T	56.6/32.8
C348	4030019810	S.CER C1005 JB 1E 103K-T	B	54.2/8.5
C349	4030019740	S.CER C1005 JB 1H 102K-T	B	54.1/15.9
C350	4030019740	S.CER C1005 JB 1H 102K-T	T	58.4/15.8
C351	4030009800	S.CER C1005 JB 1H 471K-T	B	46.4/39
C352	4030019930	S.CER C1005 JB 1A 104K-T	B	51.1/38.9
C353	4030019810	S.CER C1005 JB 1E 103K-T	B	56.7/8.4
C354	4030019930	S.CER C1005 JB 1A 104K-T	B	48.1/38.8
C355	4030019740	S.CER C1005 JB 1H 102K-T	B	43.6/38.2
C356	4030019640	S.CER C1005 CH 1H 0R3B-T	B	51.5/10.9
C357	4030019930	S.CER C1005 JB 1A 104K-T	B	47.7/41.4
C358	4030019640	S.CER C1005 CH 1H 0R3B-T	B	55.5/6.2
C359	4030019970	S.CER C1005 JB 0J 105K-T	B	55.1/42.8
C360	4030019740	S.CER C1005 JB 1H 102K-T	B	45.6/41.2
C361	4030019740	S.CER C1005 JB 1H 102K-T	B	56.4/14.5
C362	4030019640	S.CER C1005 CH 1H 0R3B-T	B	55.5/7.8
C363	4030019810	S.CER C1005 JB 1E 103K-T	B	56/42.8
C364	4030011680	S.CER C1005 CH 1H 030B-T	B	43/8.1
C365	4030011680	S.CER C1005 CH 1H 030B-T	B	44.2/8.6
C366	4030019930	S.CER C1005 JB 1A 104K-T	B	52.3/14.5
C367	4030011320	S.CER C1005 CH 1H 470J-T	B	41.7/6.9
C368	4030007030	S.CER C1608 CH 1H 150J-T	B	50.4/15.4
C369	4030011700	S.CER C1005 CH 1H 040B-T	B	43/9.1
C370	4030019740	S.CER C1005 JB 1H 102K-T	B	49.8/8
C371	4030011770	S.CER C1608 CH 1H 060B-T	B	52.7/6.1
C372	4030011320	S.CER C1005 CH 1H 470J-T	B	48.9/8
C373	4030019740	S.CER C1005 JB 1H 102K-T	B	49.3/41.8
C374	4030019740	S.CER C1005 JB 1H 102K-T	B	52.3/16.2
C375	4030007050	S.CER C1608 CH 1H 220J-T	B	53.2/18.8
C376	4030007040	S.CER C1608 CH 1H 180J-T	B	56.1/19.5
C377	4550006250	S.TAN TEESVA 1A 106M8R	B	57.5/43.3
C378	4030019740	S.CER C1005 JB 1H 102K-T	B	46.8/42.4
C379	4030019740	S.CER C1005 JB 1H 102K-T	B	41.2/5.7
C380	4030007020	S.CER C1608 CH 1H 120J-T	B	50.9/5.2
C381	4030007020	S.CER C1608 CH 1H 120J-T	B	52.1/4.1
C382	4030019740	S.CER C1005 JB 1H 102K-T	B	48/9.8
C383	4030010250	S.CER C1005 CH 1H 010B-T	B	41.2/11.5
C385	4030019810	S.CER C1005 JB 1E 103K-T	B	41.2/9
C386	4030011640	S.CER C1005 CH 1H 010B-T	B	50.1/19.4
C387	4030019740	S.CER C1005 JB 1H 102K-T	B	42.9/42.2
C388	4030019740	S.CER C1005 JB 1H 102K-T	B	48.1/42.6
C389	4030019740	S.CER C1005 JB 1H 102K-T	B	56.6/17.6
C390	4030011630	S.CER C1005 CH 1H 0R5B-T	B	49.4/3.9
C391	4030019740	S.CER C1005 JB 1H 102K-T	B	45.8/5.6
C392	4030019880	S.CER C1005 JB 1A 333K-T	B	52.7/48.7
C393	4030019740	S.CER C1005 JB 1H 102K-T	B	46.8/13.1
C394	4030019740	S.CER C1005 JB 1H 102K-T	B	47.2/16.5
C395	4030019740	S.CER C1005 JB 1H 102K-T	B	52.7/47.8
C396	4030010280	S.CER C1005 CH 1H 390J-T	B	50.3/48.5
C397	4030019740	S.CER C1005 JB 1H 102K-T	B	47.1/8.9
C398	4030011680	S.CER C1005 CH 1H 030B-T	B	45.9/7.7
C399	4030011640	S.CER C1005 CH 1H 010B-T	B	48.2/15.4
C400	4030011320	S.CER C1005 CH 1H 470J-T	B	46.7/5.6
C401	4030019930	S.CER C1005 JB 1A 104K-T	B	52.2/49.9
C402	4030009770	S.CER C1005 CH 1H 220J-T	B	48.6/13.1
C403	4030009770	S.CER C1005 CH 1H 220J-T	B	45.3/8.9
C404	4030019930	S.CER C1005 JB 1A 104K-T	B	57.1/49.5
C405	4030019810	S.CER C1005 JB 1E 103K-T	B	55.2/46.7
C406	4030019810	S.CER C1005 JB 1E 103K-T	B	57.4/39.9
C407	4030019810	S.CER C1005 JB 1E 103K-T	B	59.4/45.4
C408	4030019740	S.CER C1005 JB 1H 102K-T	B	55.5/38.9
C409	4030009780	S.CER C1005 CH 1H 270J-T	B	59.4/42.4
C412	4030019810	S.CER C1005 JB 1E 103K-T	B	57.8/37.7
C413	4030019740	S.CER C1005 JB 1H 102K-T	B	43.7/12.8
C414	4030019740	S.CER C1005 JB 1H 102K-T	B	40.7/23.8
C415	4030019740	S.CER C1005 JB 1H 102K-T	B	37.7/24.5

[MAIN UNIT]

REF NO.	PARTS NO.	DESCRIPTION	M.	H/V LOCATION
C417	4030019740	S.CER C1005 JB 1H 102K-T	B	36.5/25.7
C418	4030009740	S.CER C1005 CH 1H 100C-T	B	58.1/33.9
C419	4030009760	S.CER C1005 CH 1H 150J-T	B	43/22.6
C420	4030009710	S.CER C1005 CH 1H 070C-T	B	38.2/27.5
	4030009710	S.CER C1005 CH 1H 070C-T	[EUR]	
	4030009710	S.CER C1005 CH 1H 070C-T	[UK]	
	4030009710	S.CER C1005 CH 1H 070C-T	[TPE]	
	4030011700	S.CER C1005 CH 1H 040B-T	[USA]	
	4030009710	S.CER C1005 CH 1H 070C-T	[KOR]	
	4030009710	S.CER C1005 CH 1H 070C-T	[AUS]	
	4030009710	S.CER C1005 CH 1H 070C-T	[CHN]	
	4030009710	S.CER C1005 CH 1H 070C-T	[EXP]	
	4030009710	S.CER C1005 CH 1H 070C-T	[EXP-01]	
	4030009710	S.CER C1005 CH 1H 070C-T	[RSP]	
C421	4030019740	S.CER C1005 JB 1H 102K-T	B	55.7/24.2
C422	4030009830	S.CER C1005 CH 1H 180J-T	B	54.8/27.5
C423	4030019740	S.CER C1005 JB 1H 102K-T	B	40.8/14.2
C424	4030019810	S.CER C1005 JB 1E 103K-T	B	54.8/25
C425	4030009780	S.CER C1005 CH 1H 270J-T	B	43.9/22.6
C426	4030009710	S.CER C1005 CH 1H 070C-T	B	38/28.8
C427	4030010280	S.CER C1005 CH 1H 390J-T	B	40.8/15.8
C428	4030009740	S.CER C1005 CH 1H 100C-T	B	53.9/23.3
C429	4030019740	S.CER C1005 JB 1H 102K-T	T	42.4/15.8
C430	4030011640	S.CER C1005 CH 1H 010B-T	B	44.6/18.7
C431	4030009760	S.CER C1005 CH 1H 150J-T	B	44.9/22.6
C432	4030019810	S.CER C1005 JB 1E 103K-T	B	56.3/22.9
C433	4030011640	S.CER C1005 CH 1H 010B-T	B	58.4/24.4
C434	4030019740	S.CER C1005 JB 1H 102K-T	B	38.6/22.5
C435	4030011680	S.CER C1005 CH 1H 030B-T	T	42.6/20.5
C500	4030019740	S.CER C1005 JB 1H 102K-T	T	41.3/18.8
C501	4030009710	S.CER C1005 CH 1H 070C-T	B	49.1/27.7
C502	4030011320	S.CER C1005 CH 1H 470J-T	B	49.2/23.4
C504	4030019740	S.CER C1005 JB 1H 102K-T	B	49.2/22.5
C505	4030019810	S.CER C1005 JB 1E 103K-T	T	45.2/1.7
C506	4030019740	S.CER C1005 JB 1H 102K-T	B	45.9/25.6
C507	4030009740	S.CER C1005 CH 1H 100C-T	B	40.7/25.2
C508	4030019740	S.CER C1005 JB 1H 102K-T	B	47.2/27.8
C509	4030019740	S.CER C1005 JB 1H 102K-T	T	41.3/17.9
C512	4030019740	S.CER C1005 JB 1H 102K-T	T	42.2/6.6
C513	4030009710	S.CER C1005 CH 1H 070C-T	B	47/23
C515	4030009770	S.CER C1005 CH 1H 220J-T	B	44.9/24.2
C516	4030019900	S.CER C1005 JB 1A 473K-T	T	44.3/1.7
C517	4030019930	S.CER C1005 JB 1A 104K-T	T	42.3/12.3
C518	4030019810	S.CER C1005 JB 1E 103K-T	T	42.2/5.7
C519	4030019740	S.CER C1005 JB 1H 102K-T	T	20.4/17.2
C520	4030019930	S.CER C1005 JB 1A 104K-T	B	34.3/18
C522	4030019740	S.CER C1005 JB 1H 102K-T	T	42.3/11.4
C523	4030019740	S.CER C1005 JB 1H 102K-T	T	40.5/14.5
C524	4030011320	S.CER C1005 CH 1H 470J-T	B	35.9/22
C526	4030019810	S.CER C1005 JB 1E 103K-T	B	30.2/20.1
C527	4030019810	S.CER C1005 JB 1E 103K-T	B	34.3/15
C528	4030019740	S.CER C1005 JB 1H 102K-T	B	35.9/21.1
C529	4030011630	S.CER C1005 CH 1H 0R5B-T	B	32.8/25.5
C530	4030009720	S.CER C1005 CH 1H 080C-T	B	33.1/21.9
C532	4030019740	S.CER C1005 JB 1H 102K-T	B	32.6/20.1
C535	4030011320	S.CER C1005 CH 1H 470J-T	B	31.5/21.9
C536	4030019810	S.CER C1005 JB 1E 103K-T	B	36.5/4.3
C537	4030011660	S.CER C1005 CH 1H 020B-T	B	31.1/23.1
C538	4030009720	S.CER C1005 CH 1H 080C-T	B	30.3/24.6
C539	4030019740	S.CER C1005 JB 1H 102K-T	T	36.9/12.7
C540	4030019740	S.CER C1005 JB 1H 102K-T	T	40.4/9.4
C541	4030011640	S.CER C1005 CH 1H 010B-T	B	30.3/25.5
C542	4030019930	S.CER C1005 JB 1A 104K-T	T	37.2/14.1
C543	4030019740	S.CER C1005 JB 1H 102K-T	T	40/8.2
C544	4030019560	S.CER GRM21BB31C106KE15L	T	36.9/4.3
C545	4030011320	S.CER C1005 CH 1H 470J-T	B	28/21.9
C546	4030019740	S.CER C1005 JB 1H 102K-T	B	27.2/20.3
C547	4030019930	S.CER C1005 JB 1A 104K-T	T	36/12.7
C548	4030009750	S.CER C1005 CH 1H 120J-T	T	38.6/9.4
C549	4030019740	S.CER C1005 JB 1H 102K-T	T	38.4/6.4
C551	4030019930	S.CER C1005 JB 1A 104K-T	T	37.2/15
C552	4030019930	S.CER C1005 JB 1A 104K-T	T	38.6/3.8
C553	4030019810	S.CER C1005 JB 1E 103K-T	B	37.9/9.5
C554	4030009720	S.CER C1005 CH 1H 080C-T	B	28.5/25.5
C555				



[MAIN UNIT]

REF NO.	PARTS NO.	DESCRIPTION	M.	H/V LOCATION
C584	4030020100	S.CER GQM1882C1H110GB01D (G) [EUR]	T	20.4/11.9
	4030020100	S.CER GQM1882C1H110GB01D (G) [UK]		
	4030020100	S.CER GQM1882C1H110GB01D (G) [TPE]		
	4030020130	S.CER GQM1882C1H120GB01D (G) [USA]		
	4030020100	S.CER GQM1882C1H110GB01D (G) [KOR]		
	4030020100	S.CER GQM1882C1H110GB01D (G) [AUS]		
	4030020100	S.CER GQM1882C1H110GB01D (G) [CHN]		
	4030020100	S.CER GQM1882C1H110GB01D (G) [EXP]		
	4030020100	S.CER GQM1882C1H110GB01D (G) [EXP-01]		
	4030020100	S.CER GQM1882C1H110GB01D (G) [RSP]		
C585	4030020110	S.CER GQM1882C1H150GB01D (G) [EUR]	T	20.4/10.7
	4030020110	S.CER GQM1882C1H150GB01D (G) [UK]		
	4030020110	S.CER GQM1882C1H150GB01D (G) [TPE]		
	4030020130	S.CER GQM1882C1H120GB01D (G) [USA]		
	4030020110	S.CER GQM1882C1H150GB01D (G) [KOR]		
	4030020110	S.CER GQM1882C1H150GB01D (G) [AUS]		
	4030020110	S.CER GQM1882C1H150GB01D (G) [CHN]		
	4030020110	S.CER GQM1882C1H150GB01D (G) [EXP]		
	4030020110	S.CER GQM1882C1H150GB01D (G) [EXP-01]		
	4030020110	S.CER GQM1882C1H150GB01D (G) [RSP]		
C586	4030009720	S.CER C1005 CH 1H 080C-T	T	18.1/11.2
C587	4030009710	S.CER C1005 CH 1H 070C-T	B	44/29.3
C588	4030010250	S.CER C1005 CH 1H 101J-T	T	16.4/11.2
C589	4030019740	S.CER C1005 JB 1H 102K-T	T	16/9.6
C590	4030007120	S.CER C1608 CH 1H 820J-T	T	18.5/8.3
C591	4030011320	S.CER C1005 CH 1H 470J-T	B	43.8/27.7
C592	4030019740	S.CER C1005 JB 1H 102K-T	T	14/8
C593	4030019690	S.CER C1005 CH 1H 221J-T	B	21.1/16.6
C594	4030019740	S.CER C1005 JB 1H 102K-T	B	42.6/27.3
C595	4030019740	S.CER C1005 JB 1H 102K-T	B	13.3/14.4
C596	4030010250	S.CER C1005 CH 1H 101J-T	T	17.5/8.6
C597	4030019740	S.CER C1005 JB 1H 102K-T	B	39.7/31
C598	4030011640	S.CER C1005 CH 1H 010B-T	B	22.3/16.1
C599	4030019640	S.CER C1005 CH 1H 0R3B-T	T	11.7/12.7
C600	4030019740	S.CER C1005 JB 1H 102K-T	B	41.4/32.5
C601	4030011660	S.CER C1005 CH 1H 020B-T	B	39.8/27.5
C602	4030009740	S.CER C1005 CH 1H 100C-T	B	37.5/30
C603	4030019740	S.CER C1005 JB 1H 102K-T	B	20.9/8.1
C604	4030011320	S.CER C1005 CH 1H 470J-T	T	7.1/9.2
C605	4030019740	S.CER C1005 JB 1H 102K-T	T	8/9.2
C606	4030019740	S.CER C1005 JB 1H 102K-T	T	12.1/7.1
C607	4030009760	S.CER C1005 CH 1H 150J-T	B	35.4/30.5
C608	4030009840	S.CER C1005 CH 1H 060C-T [EUR]	T	15.9/15.5
	4030009840	S.CER C1005 CH 1H 060C-T [UK]		
	4030009840	S.CER C1005 CH 1H 060C-T [TPE]		
	4030019650	S.CER C1005 CH 1H 050B-T [USA]		
	4030009840	S.CER C1005 CH 1H 060C-T [KOR]		
	4030009840	S.CER C1005 CH 1H 060C-T [AUS]		
	4030009840	S.CER C1005 CH 1H 060C-T [CHN]		
	4030009840	S.CER C1005 CH 1H 060C-T [EXP]		
	4030009840	S.CER C1005 CH 1H 060C-T [EXP-01]		
	4030009840	S.CER C1005 CH 1H 060C-T [RSP]		
C609	4030009760	S.CER C1005 CH 1H 150J-T	B	22.3/10.3
C610	4030019740	S.CER C1005 JB 1H 102K-T	T	10.2/9.5
C612	4030009740	S.CER C1005 CH 1H 100C-T	T	11.7/17.8
C613	4030019740	S.CER C1005 JB 1H 102K-T	B	19.8/13.6
C614	4030019740	S.CER C1005 JB 1H 102K-T	B	15.7/14.4
C615	4030009760	S.CER C1005 CH 1H 150J-T	B	20.1/9.8
C616	4030019930	S.CER C1005 JB 1A 104K-T	B	15.4/9.7
C617	4030011640	S.CER C1005 CH 1H 010B-T	B	32.6/31.5
C618	4030010370	S.CER C1005 CH 1H 300J-T	B	33.7/27.3
C619	4030019740	S.CER C1005 JB 1H 102K-T	B	32.7/27.3
C620	4030011630	S.CER C1005 CH 1H 0R5B-T	B	15.4/10.7
C621	4030011640	S.CER C1005 CH 1H 010B-T	B	31.6/31.5
C622	4030011640	S.CER C1005 CH 1H 010B-T	B	31.9/30.3
C623	4030009800	S.CER C1005 JB 1H 471K-T	T	13.1/8
C624	4030019640	S.CER C1005 CH 1H 0R3B-T	T	12.9/17
C625	4030019740	S.CER C1005 JB 1H 102K-T	B	29.4/27.3
C626	4030009790	S.CER C1005 CH 1H 330J-T	B	30.3/27.3
C627	4030019740	S.CER C1005 JB 1H 102K-T	B	10.9/14.4
C629	4030011640	S.CER C1005 CH 1H 010B-T	B	28.9/31.1
C630	4030011640	S.CER C1005 CH 1H 010B-T	B	28/30.1
C633	4030011640	S.CER C1005 CH 1H 010B-T	B	27.2/31.1
C634	4030009780	S.CER C1005 CH 1H 270J-T	B	27.6/27.3
C635	4030019740	S.CER C1005 JB 1H 102K-T	B	15/16.7
C636	4030019740	S.CER C1005 JB 1H 102K-T	B	21.4/29.8
C639	4030011630	S.CER C1005 CH 1H 0R5B-T	B	26.7/27.3
C640	4030019740	S.CER C1005 JB 1H 102K-T	B	28.5/27.3
C641	4030011610	S.CER C1005 CH 1H 680J-T	B	25.1/29.8
C642	4030009830	S.CER C1005 CH 1H 180J-T	B	15.5/8.5
C644	4030011660	S.CER C1005 CH 1H 020B-T	B	11.8/9.9
C645	4030019740	S.CER C1005 JB 1H 102K-T	B	19/25.4
C647	4030011700	S.CER C1005 CH 1H 040B-T	T	15/16.6
C648	4030011320	S.CER C1005 CH 1H 470J-T	B	19/26.4
C649	4030010370	S.CER C1005 CH 1H 300J-T	B	12.3/5.8

[MAIN UNIT]

REF NO.	PARTS NO.	DESCRIPTION	M.	H/V LOCATION
C650	4030011640	S.CER C1005 CH 1H 010B-T	B	10.5/9.2
C651	4030011700	S.CER C1005 CH 1H 040B-T	T	5.8/11.6
C652	4030009770	S.CER C1005 CH 1H 220J-T	T	8/2.6
C653	4030010250	S.CER C1005 CH 1H 101J-T	T	4.6/10.4
C654	4030009710	S.CER C1005 CH 1H 070C-T	T	5.8/10
C656	4030019740	S.CER C1005 JB 1H 102K-T	T	18.8/29.9
C657	4030019740	S.CER C1005 JB 1H 102K-T	T	8.6/7.6
C659	4030009710	S.CER C1005 CH 1H 070C-T	T	15/17.6
C660	4030011630	S.CER C1005 CH 1H 0R5B-T	B	17.8/26
C662	4030010250	S.CER C1005 CH 1H 101J-T	B	16.9/26
C663	4030019740	S.CER C1005 JB 1H 102K-T	B	15.5/29.7
C664	4030011320	S.CER C1005 CH 1H 470J-T	B	16.7/24.8
C667	4030010250	S.CER C1005 CH 1H 101J-T	B	17.1/23.6
C669	4030011700	S.CER C1005 CH 1H 040B-T	B	14.9/22.8
C670	4030011700	S.CER C1005 CH 1H 040B-T [EUR]	T	8.9/9.2
	4030011700	S.CER C1005 CH 1H 040B-T [UK]		
	4030011700	S.CER C1005 CH 1H 040B-T [TPE]		
	4030011660	S.CER C1005 CH 1H 020B-T [USA]		
	4030011700	S.CER C1005 CH 1H 040B-T [KOR]		
	4030011700	S.CER C1005 CH 1H 040B-T [AUS]		
	4030011700	S.CER C1005 CH 1H 040B-T [CHN]		
	4030011700	S.CER C1005 CH 1H 040B-T [EXP]		
	4030011700	S.CER C1005 CH 1H 040B-T [EXP-01]		
	4030011700	S.CER C1005 CH 1H 040B-T [RSP]		
C671	4030010250	S.CER C1005 CH 1H 101J-T	B	14.9/21.6
C672	4030019740	S.CER C1005 JB 1H 102K-T	B	81.9/39.8
C699	4030009720	S.CER C1005 CH 1H 080C-T	T	6.3/12.9
C701	4030010280	S.CER C1005 CH 1H 390J-T	T	6.3/13.8
C702	4030019640	S.CER C1005 CH 1H 0R3B-T	T	10.5/17.3
C703	4030009710	S.CER C1005 CH 1H 070C-T	T	9.3/17.8
C800	4030019810	S.CER C1005 JB 1E 103K-T	B	66/42.1
C801	4030019930	S.CER C1005 JB 1A 104K-T	T	41.3/29.6
C803	4030019850	S.CER C1005 JB 1E 183K-T	T	41.5/33.6
C804	4030019850	S.CER C1005 JB 1E 183K-T	T	46.6/26.7
C805	4030019930	S.CER C1005 JB 1A 104K-T	T	45.6/33.7
C806	4030019970	S.CER C1005 JB 0J 105K-T	T	32.1/37.1
C807	4030019930	S.CER C1005 JB 1A 104K-T	T	45.6/34.6
C809	4030009800	S.CER C1005 JB 1H 471K-T	T	42.3/24.1
C950	4030019740	S.CER C1005 JB 1H 102K-T	T	52.5/44.7
C951	4030019950	S.CER C1005 JB 0J 224K-T	B	35.8/42
C952	4030019460	S.CER C1608 JB 0J 106M-T	T	57.8/42.6
C953	4030019970	S.CER C1005 JB 0J 105K-T	T	44.7/24.5
C954	4030019970	S.CER C1005 JB 0J 105K-T	T	46.6/30
C956	4550007090	S.TAN TEESVA 1A 226M8R	T	4.1/19
C957	4030009790	S.CER C1005 CH 1H 330J-T	T	31.6/15.1
C958	4030019740	S.CER C1005 JB 1H 102K-T	T	15/18.5
C959	4030011630	S.CER C1005 CH 1H 0R5B-T	B	11.1/10.6
C960	4030019970	S.CER C1005 JB 0J 105K-T	B	35.1/19.8
C961	4030019970	S.CER C1005 JB 0J 105K-T	B	34.3/15.9
C962	4030019690	S.CER C1005 CH 1H 221J-T	B	87.8/6.1
C963	4030009770	S.CER C1005 CH 1H 220J-T	B	84.4/9.6
C964	4030009770	S.CER C1005 CH 1H 220J-T	B	81.9/4.3
C965	4030009770	S.CER C1005 CH 1H 220J-T	B	77.7/13.8
C966	4030009770	S.CER C1005 CH 1H 220J-T	B	76.5/3.4
C967	4030009770	S.CER C1005 CH 1H 220J-T	B	75.6/3.4
C968	4030009770	S.CER C1005 CH 1H 220J-T	B	73.5/5.4
C969	4030009770	S.CER C1005 CH 1H 220J-T	B	83.4/7.6
C1000	4030019810	S.CER C1005 JB 1E 103K-T	T	43.9/11.2
J2	6510021901	S.CON BM02B-ASRS-TF(LF)(SN)	T	17.2/47.8
J3	6510025880	CON TC38-108-01 <CFE>		
J4	6450000131	CON HSJ1102-018540		
J100	6450000870	CON HEC2711-01-020		
DS200	5040003460	S.LED VYPY1111C-4B73A	T	54.3/46.2
DS201	5040003460	S.LED VYPY1111C-4B73A	T	50.3/46.2
DS204	5030003280	LCD TAK-35414 FX3253 <ITAK>		
MC1	7700002850	MIC EM6022P-65B-G <HOR>		
S1	2260001900	SWI SW-149 (SKHLDD)		
S270	2250000630	ENC TP70D974E20-21F-3066		
EP1	6910018460	S.BEA MMZ1005Y102C-T	T	3.1/21.3
EP2	6910014680	S.BEA MMZ1608Y 121BT	T	3.8/33.5
EP3	6910018460	S.BEA MMZ1005Y102C-T	T	5.8/27.2
EP4	6910014680	S.BEA MMZ1608Y 121BT	T	7.8/35.1
EP5	6910018460	S.BEA MMZ1005Y102C-T	T	2.5/24.6
EP6	6910018460	S.BEA MMZ1005Y102C-T	T	3.9/17
EP52	8930080070	LCD SRCN-3253-SP-N-W (SHJ)		
EP100	6910019100	S.BEA MPZ1608S101AT	T	36.2/41.8
EP101	6910014730	S.BEA MPZ2012S331A-T	T	37.2/48.6
EP102	6910019100	S.BEA MPZ1608S101AT	B	20.6/33.3
EP103	6910019100	S.BEA MPZ1608S101AT	B	15.3/19
EP104	6910019100	S.BEA MPZ1608S101AT [EUR]	T	33.9/42.8
	6910019100	S.BEA MPZ1608S101AT [UK]		
	6910019100	S.BEA MPZ1608S101AT [USA]		
	6910019100	S.BEA MPZ1608S101AT [RSP]		

# SECTION 7

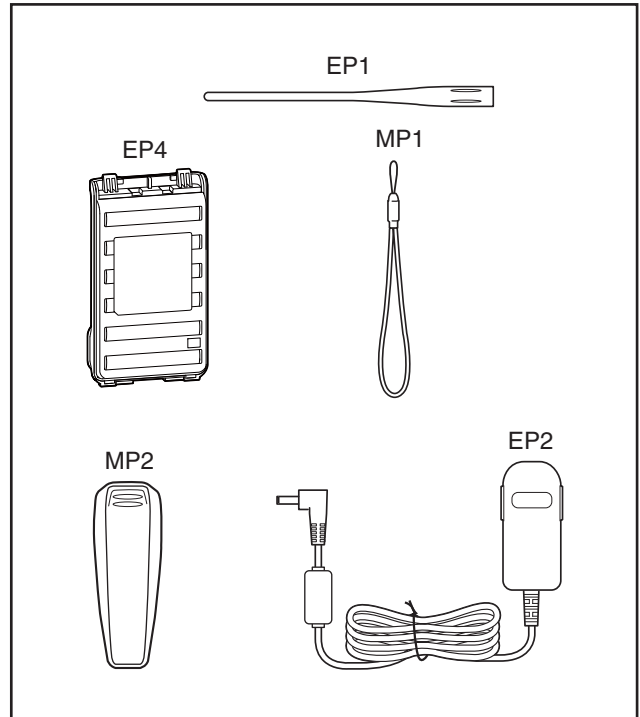
# MECHANICAL PARTS

## [CHASSIS PARTS]

REF NO.	ORDER NO.	DESCRIPTION	QTY.
J1	6510025010	SMA-R2869	1
SP1	2510001550	K036NA511-10	1
W1	8900016360	OPC-1190A	1
MP1	8010021690	3253 CHASSIS	1
MP2	8210025970	3253 T-FRONT PANEL (B) [EUR], [UK], [CHN], [RSP]	1
	8210025960	3253 T-FRONT PANEL (A) [TPE], [USA], [KOR], [AUS], [EXP], [EXP-01]	1
MP3	8210025790	3253 PTT PANEL	1
MP4	8930079880	3254 PTT BUTTON	1
MP5	8310075430	3253 WINDOW PLATE	1
MP6	8610014150	KNOB N-387 (incl. MP30)	1
MP7	8610014160	KNOB N-388	1
MP8	8210025800	3285 BOTTOM PANEL	1
MP9	8930079890	3285 LOCK PLATE	1
MP10	8930079900	3285 TERMINAL HOLDER	1
MP11	8930079910	3253 B-TERMINAL HOLDER	1
MP12	8210025810	3253 REFLECTOR	1
MP13	8930079920	3253 JACK CAP	1
MP14	8930079930	3253 DC CAP	1
MP15	8930079940	3253 T-KEYBOARD	1
MP16	8930079960	3254 PTT RUBBER	1
MP17	8930079970	3253 TOP SEAL	1
MP18	8930079980	3253 WINDOW SHEET	1
MP19	8930079990	3253 WHITE SHEET	1
MP20	8930080000	3253 LCD HOLDER	1
MP21	8930080010	3253 TOP PLATE	1
MP22	8930080020	3253 A-TERMINAL	2
MP23	8930080030	3253 B-TERMINAL	1
MP24	8510019620	3253 SHIELD PLATE	1
MP25	8810008761	SCREW BT B0 2X8 NI-ZC3 (BT)	4
MP26	8810008641	OTAP 1FLAT WASHER B0 2X4 NI-ZC3 (BT)	7
MP27	8930080380	3285 SHAFT	1
MP28	8830001701	VR NUT (Q)-1	1
MP29	8830001600	NUT (L)	1
MP30	8610009240	KNOB SPRING NO.7800P	1
MP31	8930074610	SP NET (E)	1
MP32	8930046020	1123 SHEET (A)-1	1
MP33	8930067930	2869 MIC SPONGE	1
MP34	8930080490	THERMALLY SHEET (BU)	1
MP36	8930067920	2869 ANT PLATE	1
MP37	8930069710	THERMALLY SHEET (BC)	1
MP38	8930080730	AL SHEET (AQ)	1
MP39	8930080740	THERMALLY SHEET (BT)	1

## [ACCESSORIES]

REF NO.	ORDER NO.	DESCRIPTION	QTY.
EP1	3310002150	FA-S270C	1
EP2	(Optional)	BC-167SD [EUR], [EXP-01], [RSP]	1
	(Optional)	BC-167SA [TPE], [USA], [EXP]	1
	(Optional)	BC-167SV [AUS]	1
EP4	(Optional)	BP-264 EXP	1
MP1	8010011960	STRAP HK-005	1
MP2	(Optional)	MB-124	1

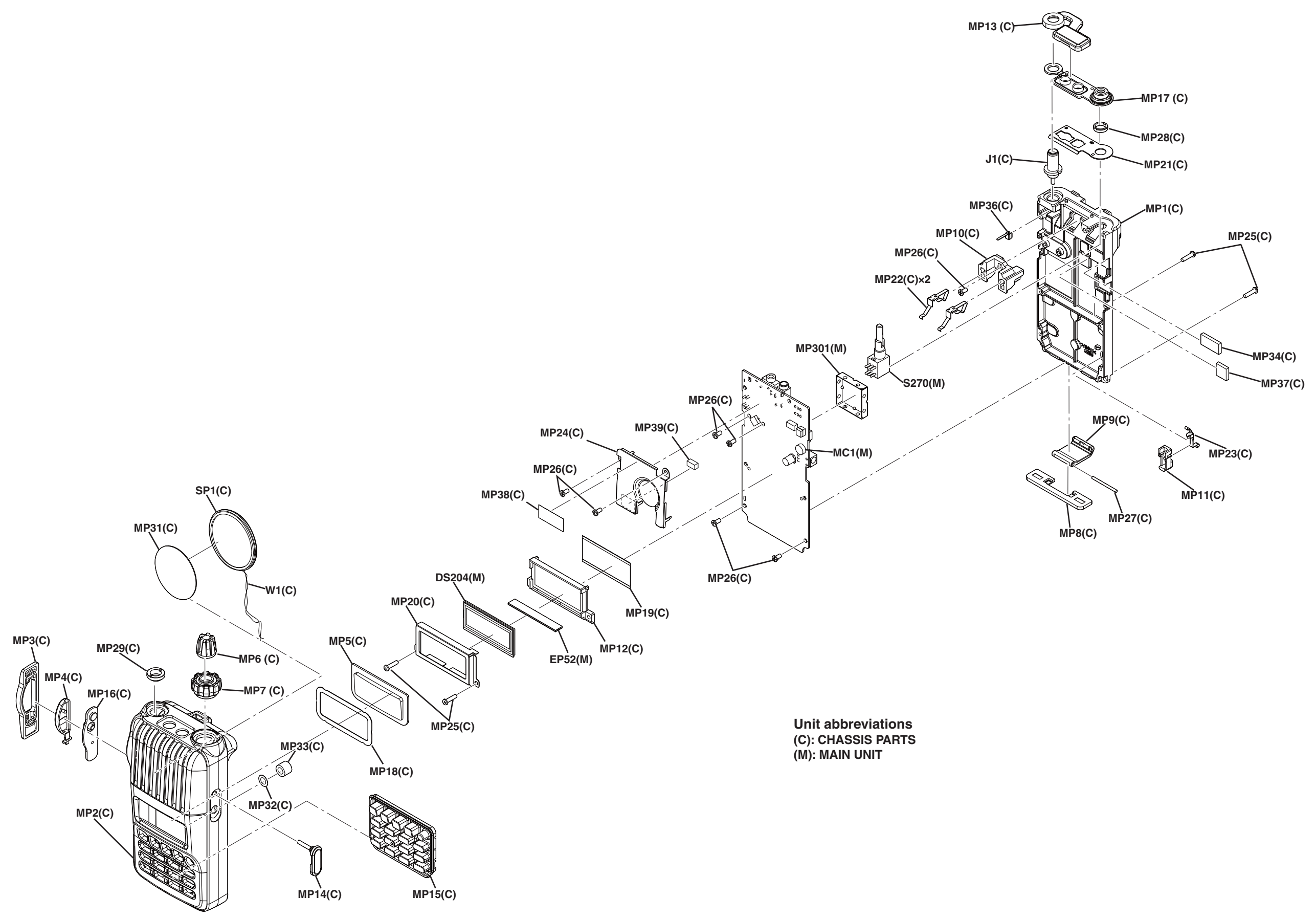


## [MAIN UNIT]

REF NO.	ORDER NO.	DESCRIPTION	QTY.
J2*	6510021901	BM02B-ASRS-TF (LF) (SN)	1
J3*	6510025880	TC38-108-01	1
J4*	6450000131	HSJ1102-018540	1
J100*	6450000870	HEC2711-01-020	1
DS204	5030003280	TAK-35414	1
MC1	7700002850	EM6022P-65B-G	1
S1*	2260001900	SW-149 (SKHLLD)	1
S270	2250000630	TP70D974E20-21F-3066	1
EP52	8930080070	SRCN-3253-SP-N-W	1
MP300*	8510018910	3062 VCO CASE	1
MP301	8510018920	3062 VCO COVER	1
MP500*	8410002690	3253 PA HEATSINK	1
MP501*	6910014760	OG-503040	1

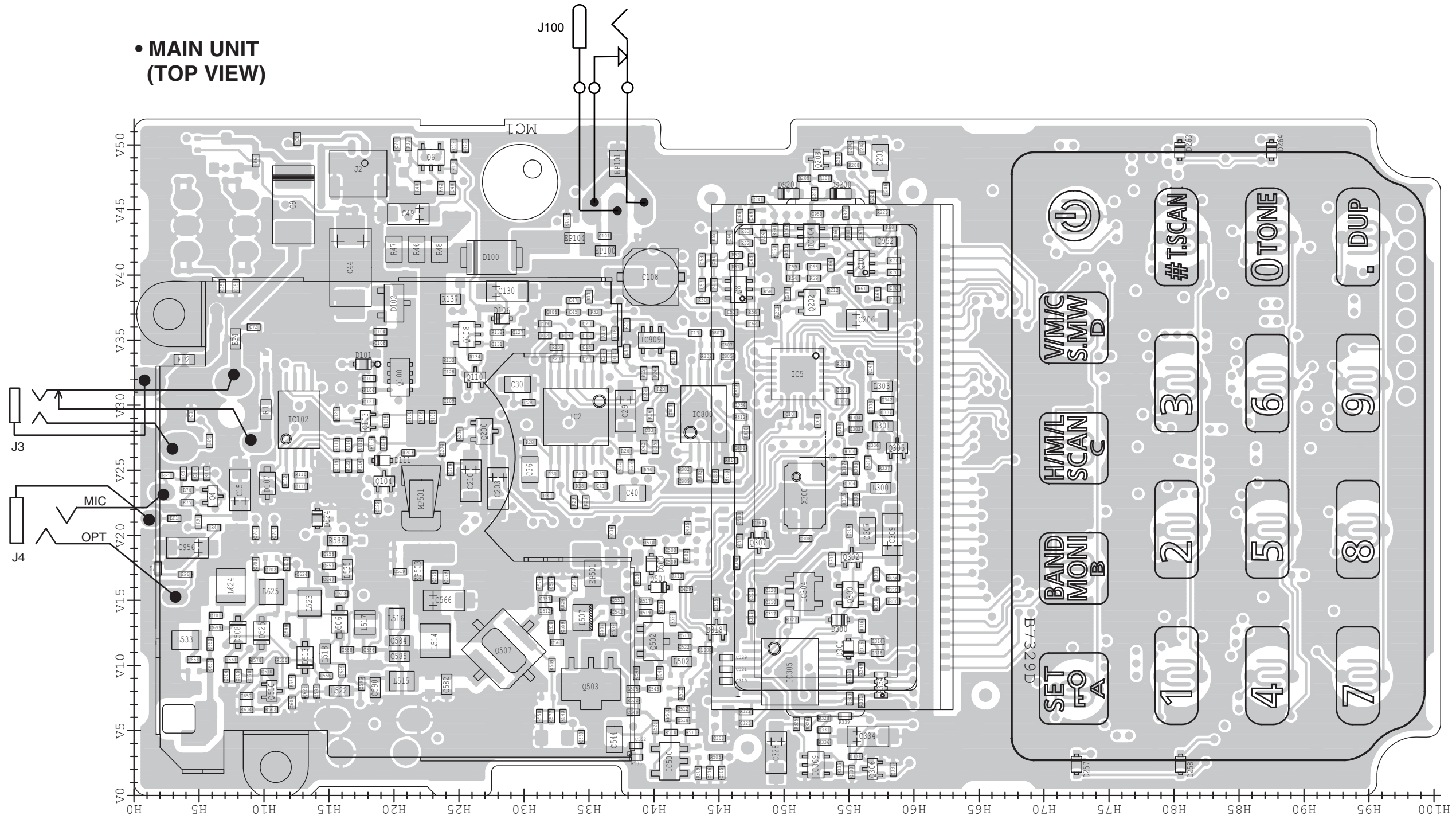
\*: Refer to "BOARD LAYOUTS" for the location.

**Screw abbreviations** A, B0, BT: Self-tapping PH: Pan head ZK: Black NI-ZU: Nickel-Zinc SUS: Stainless



**Unit abbreviations**  
 (C): CHASSIS PARTS  
 (M): MAIN UNIT

• MAIN UNIT  
(TOP VIEW)



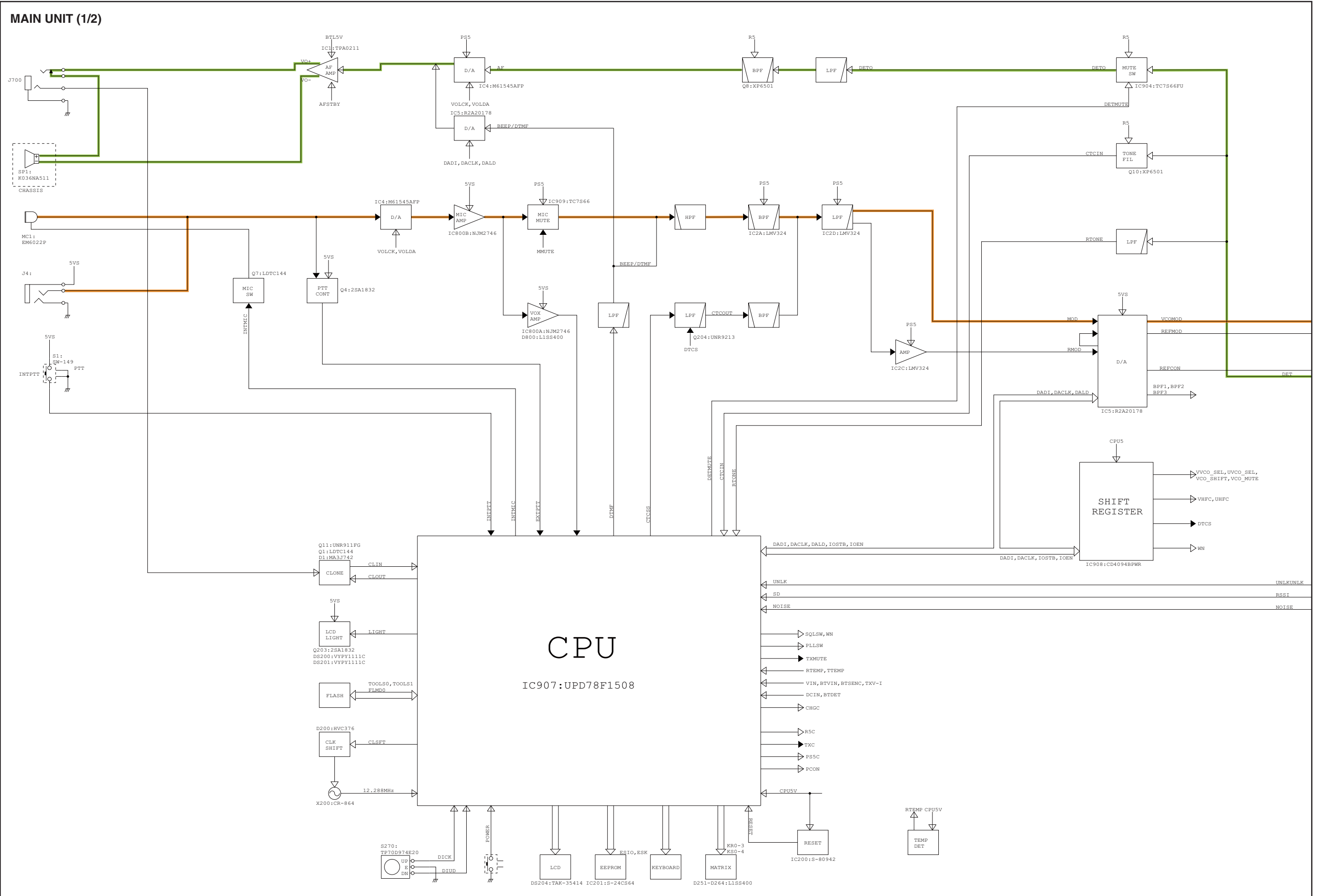


• MAIN UNIT  
(BOTTOM VIEW)



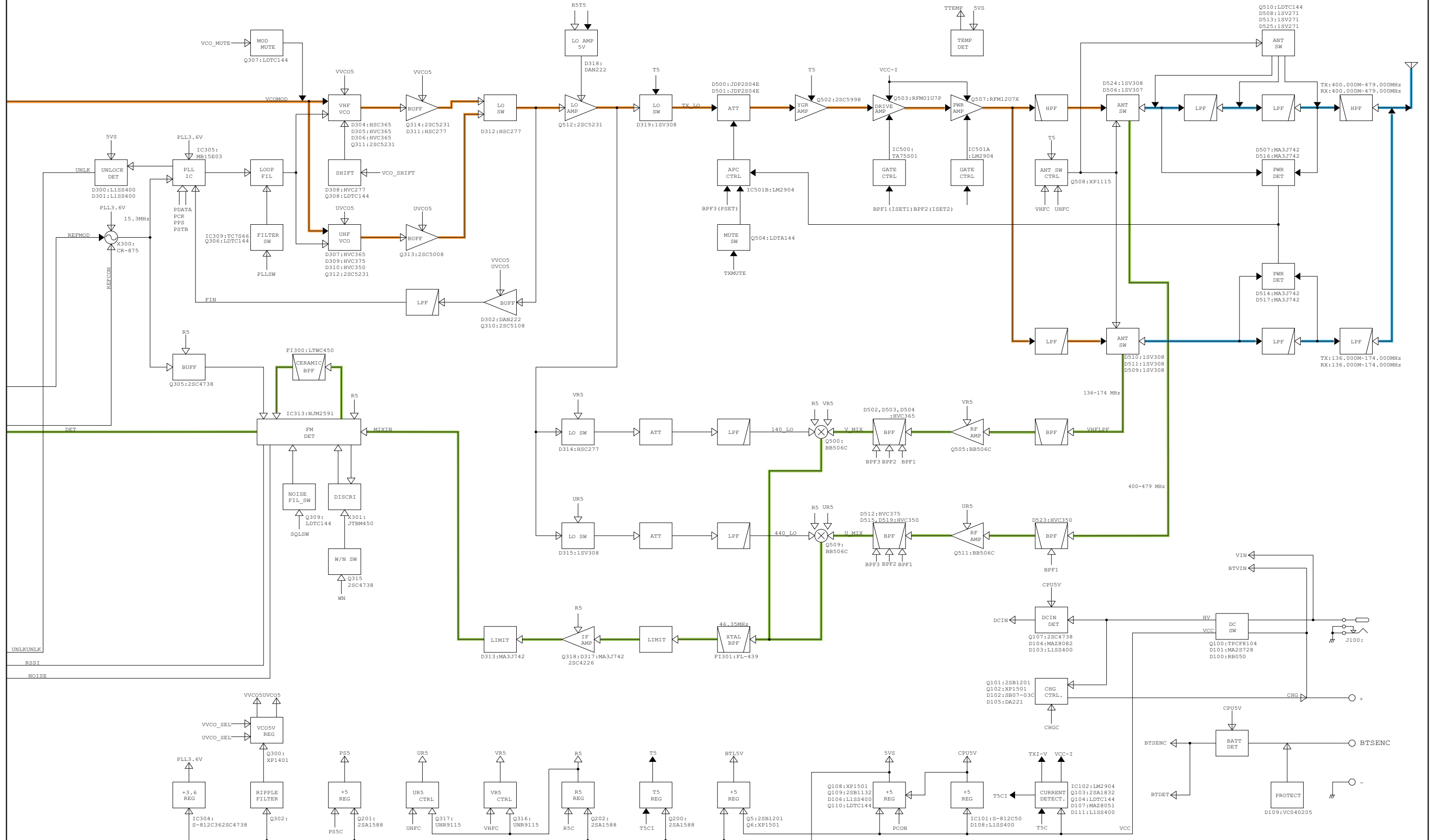
# SECTION 9

# BLOCK DIAGRAM





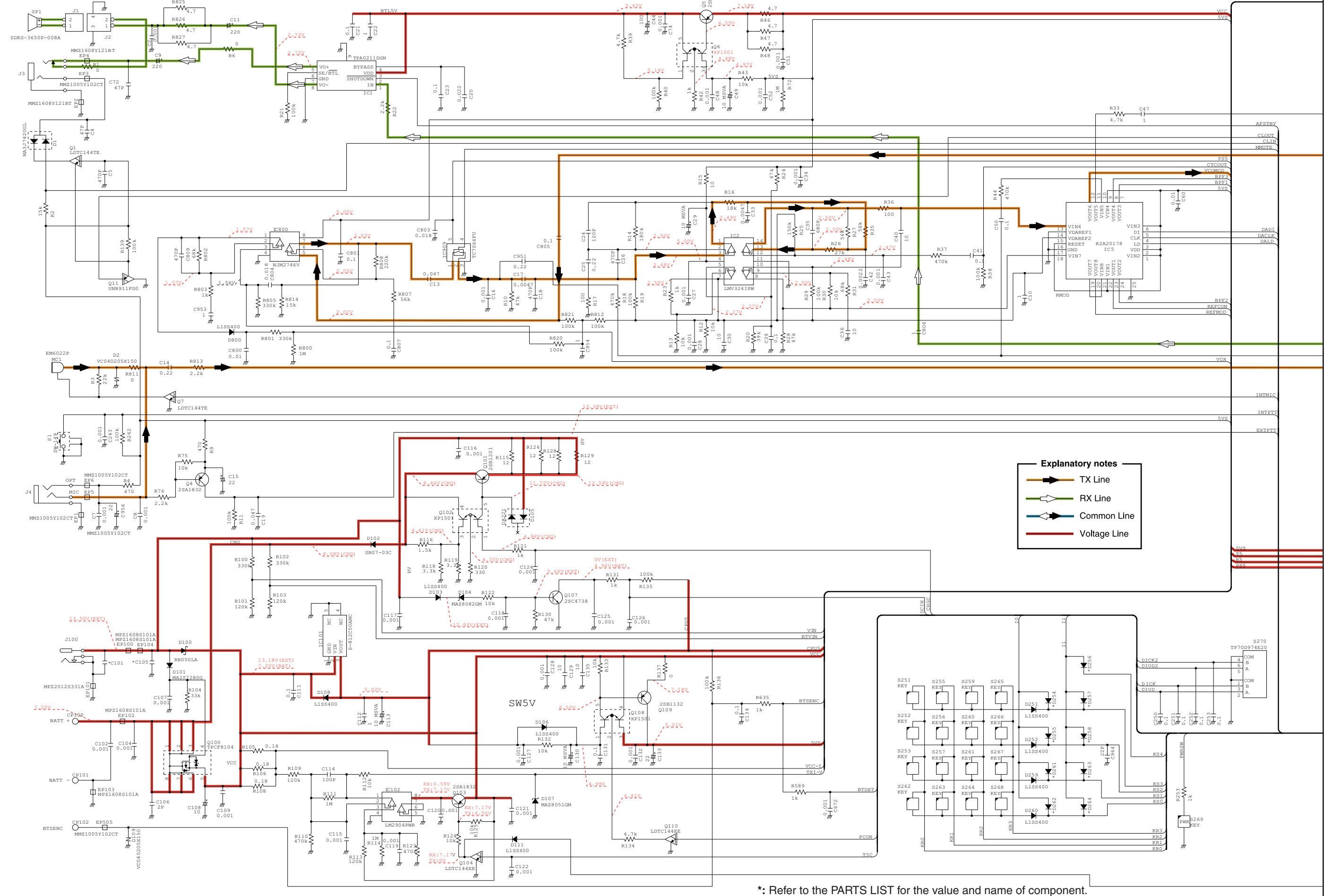
MAIN UNIT (2/2)



# SECTION 10

# VOLTAGE DIAGRAM

## MAIN UNIT (1/4)

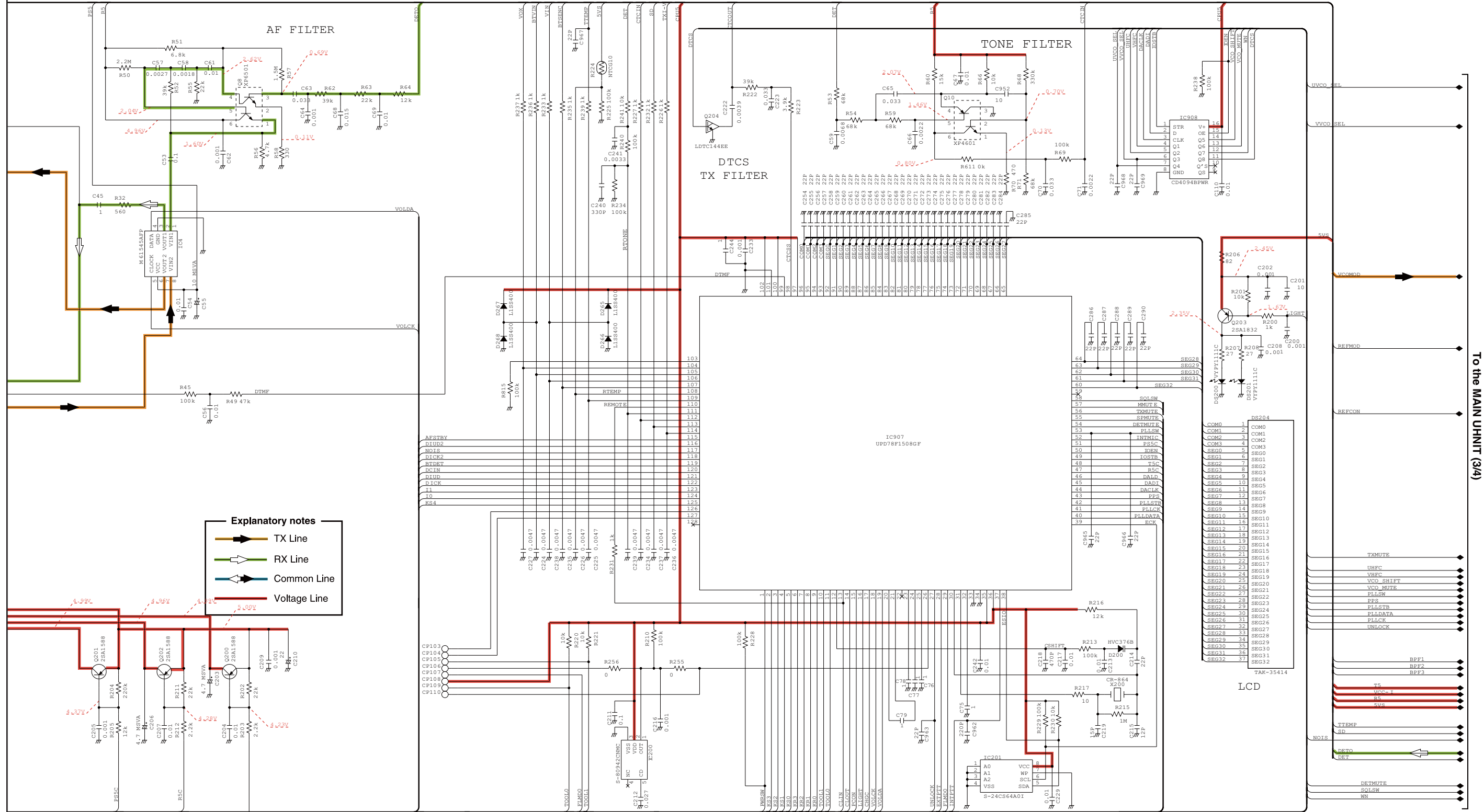


**Explanatory notes**

- ▶ TX Line
- ▶ RX Line
- ▶ Common Line
- ▶ Voltage Line

\*: Refer to the PARTS LIST for the value and name of component.

MAIN UNIT (2/4)



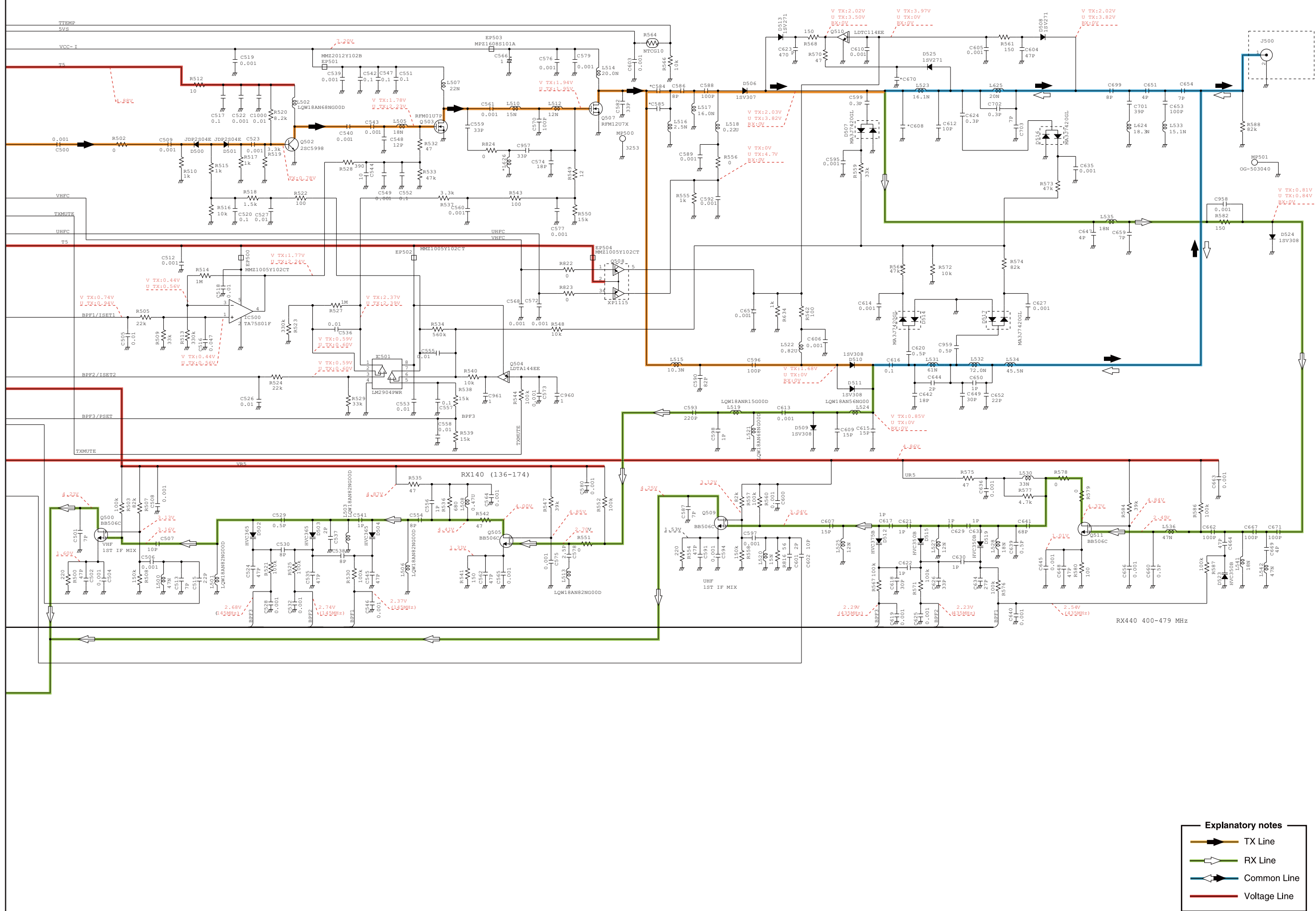
**Explanatory notes**

- TX Line
- RX Line
- Common Line
- Voltage Line

NOTICE: Refer to the PARTS LIST for the value and name of each component.



# MAIN UNIT (4/4)



- Explanatory notes**
- TX Line
  - RX Line
  - Common Line
  - Voltage Line

\*: Refer to the PARTS LIST for the value and name of component.

## Icom Inc.

1-1-32, Kamiminami, Hirano-ku, Osaka 547-0003, Japan  
Phone : +81 (06) 6793 5302  
Fax : +81 (06) 6793 0013  
URL : <http://www.icom.co.jp/world/index.html>

### Icom America Inc.

<Corporate Headquarters>  
2380 116th Avenue N.E., Bellevue, WA 98004, U.S.A.  
Phone : +1 (425) 454-8155 Fax : +1 (425) 454-1509  
URL : <http://www.icomamerica.com>  
E-mail : [sales@icomamerica.com](mailto:sales@icomamerica.com)  
<Customer Service>  
Phone : +1 (425) 454-7619

### Icom Canada

Glenwood Centre #150-6165  
Highway 17 Delta, B.C., V4K 5B8, Canada  
Phone : +1 (604) 952-4266 Fax : +1 (604) 952-0090  
URL : <http://www.icomcanada.com>  
E-mail : [info@icomcanada.com](mailto:info@icomcanada.com)

### Icom (Australia) Pty. Ltd.

Unit 1 / 103 Garden Road, Clayton VIC 3168 Australia  
Phone : +61 (03) 9549-7500 Fax : +61 (03) 9549-7505  
URL : <http://www.icom.net.au>  
E-mail : [sales@icom.net.au](mailto:sales@icom.net.au)

### Icom New Zealand

146A Harris Road, East Tamaki,  
Auckland, New Zealand  
Phone : +64 (09) 274 4062 Fax : +64 (09) 274 4708  
URL : <http://www.icom.co.nz>  
E-mail : [inquiries@icom.co.nz](mailto:inquiries@icom.co.nz)

### Beijing Icom Ltd.

10C07, Long silver Mansion, No.88, Yong Ding  
Road, Haidian District, Beijing, 100039, China  
Phone : +86 (010) 5889 5391/5392/5393  
Fax : +86 (010) 5889 5395  
E-mail : [bjicom@bjicom.com](mailto:bjicom@bjicom.com)  
URL : <http://www.bjicom.com>

### Icom (Europe) GmbH

Communication Equipment  
Auf der Krautweide 24  
65812 Bad Soden am Taunus, Germany  
Phone : +49 (6196) 76685-0 Fax : +49 (6196) 76685-50  
URL : <http://www.icomeurope.com>  
E-mail : [info@icomeurope.com](mailto:info@icomeurope.com)

### Icom Spain S.L

Ctra. Rubi, No. 88 Bajos A 08174, Sant Cugat del Valles, Barcelona, Spain  
Phone : +34 (93) 590 26 70 Fax : +34 (93) 589 04 46  
URL : <http://www.icomspain.com>  
E-mail : [icom@icomspain.com](mailto:icom@icomspain.com)

### Icom (UK) Ltd.

Blacksole House, The Boulevard, Altira Business Park, Herne Bay, CT6 6GZ, UK  
Phone : +44 (01227) 741741 Fax : +44 (01227) 741742  
URL : <http://www.icomuk.co.uk>  
E-mail : [info@icomuk.co.uk](mailto:info@icomuk.co.uk)

### Icom France s.a.s.

Zac de la Plaine  
1 Rue Brindejonc des Moulinais BP 5804  
31505 Toulouse Cedex, France  
Phone : +33 (5) 61 36 03 03 Fax : +33 (5) 61 36 03 00  
URL : <http://www.icom-france.com>  
E-mail : [icom@icom-france.com](mailto:icom@icom-france.com)

### Asia Icom Inc.

6F No.68, Sec. 1 Cheng-Teh Road, Taipei, Taiwan, R.O.C.  
Phone : +886 (02) 2559 1899 Fax : +886 (02) 2559 1874  
URL : <http://www.asia-icom.com>  
E-mail : [sales@asia-icom.com](mailto:sales@asia-icom.com)

### Icom Polska

81-850 Sopot, ul. 3 Maja 54, Poland  
Phone : +48 (58) 550 7135 Fax : +48 (58) 551 0484  
E-mail : [icompolaska@icompolaska.com.pl](mailto:icompolaska@icompolaska.com.pl)



**Count on us!**

**Icom Inc.**

1-1-32, Kamiminami, Hirano-ku, Osaka 547-0003, Japan

S-14623XZ-C1  
© 2010 Icom Inc.