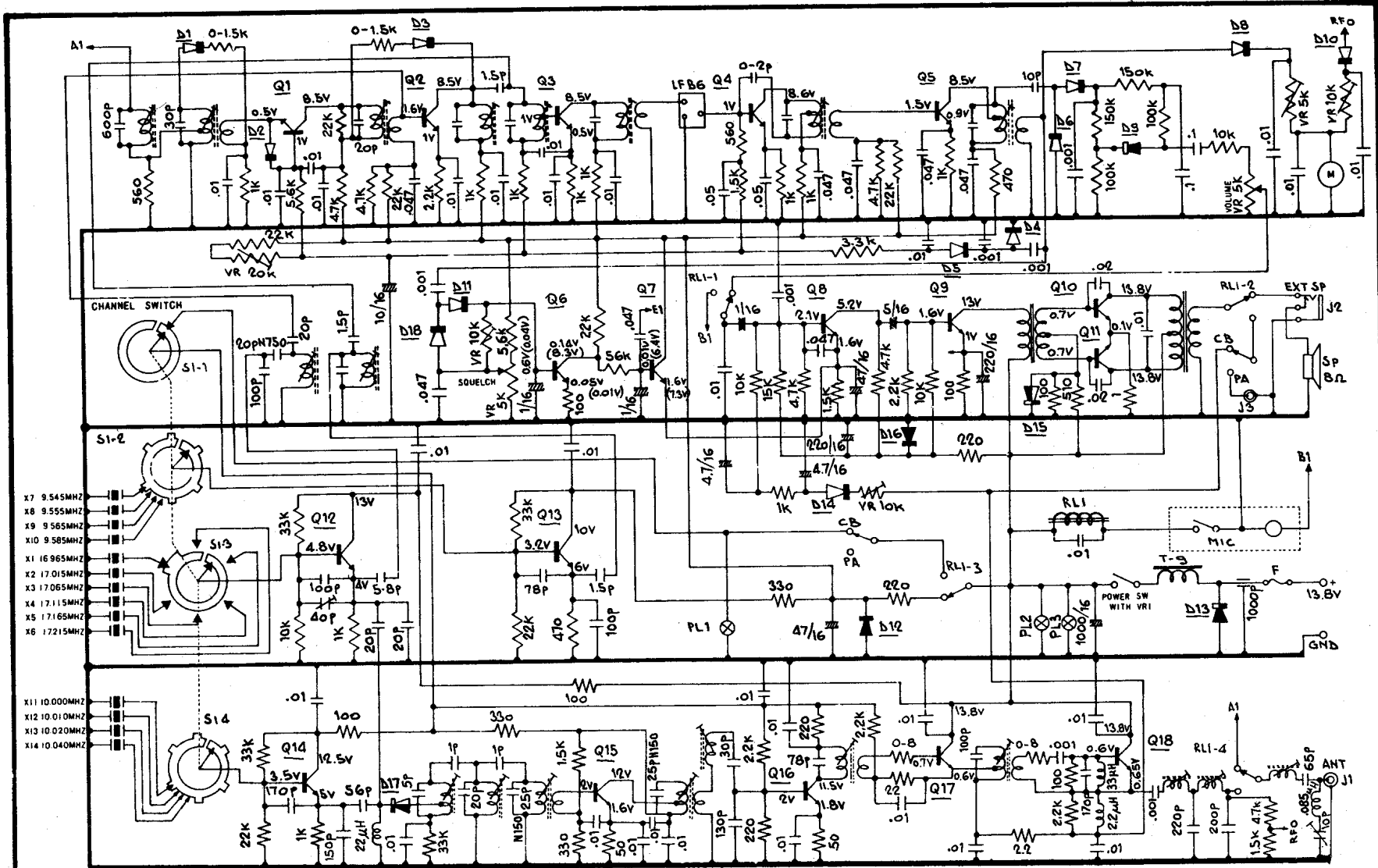


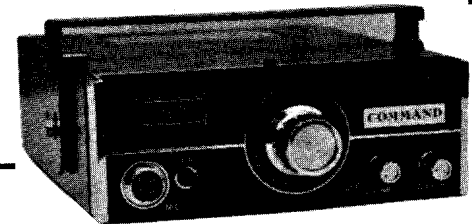
Scanned by IV3AJZ  
Downloaded by  
RadioAmateur.EU



- TRANSISTORS**
- (D1÷8, D10, 11, 14, 18) 1N-60
  - (D9) 1S-1555
  - (D17) 1S-1941
  - (D13) 1S-1885
  - (D15) MV-3
  - (D12, 16) CDZ-C9V
  - (Q1, 2, 12, 14, 15, 16) 2SC710(C)
  - (Q3, 4, 5, 13) 2SC710(B)
  - (Q6, 7, 8) 2SC870(E,F)
  - (Q9) 2SC620(B-E)
  - (Q10, 11) 2SC1014(D)
  - (Q17) 2SC776
  - (Q18) 2SC778(2SC1239)

ALL RESISTORS ARE OHMS.  
ALL CAPACITORS ARE pF.

Scanned by  
IV3AJZ  
for www.radioamateur.eu



# COMMAND-CB727