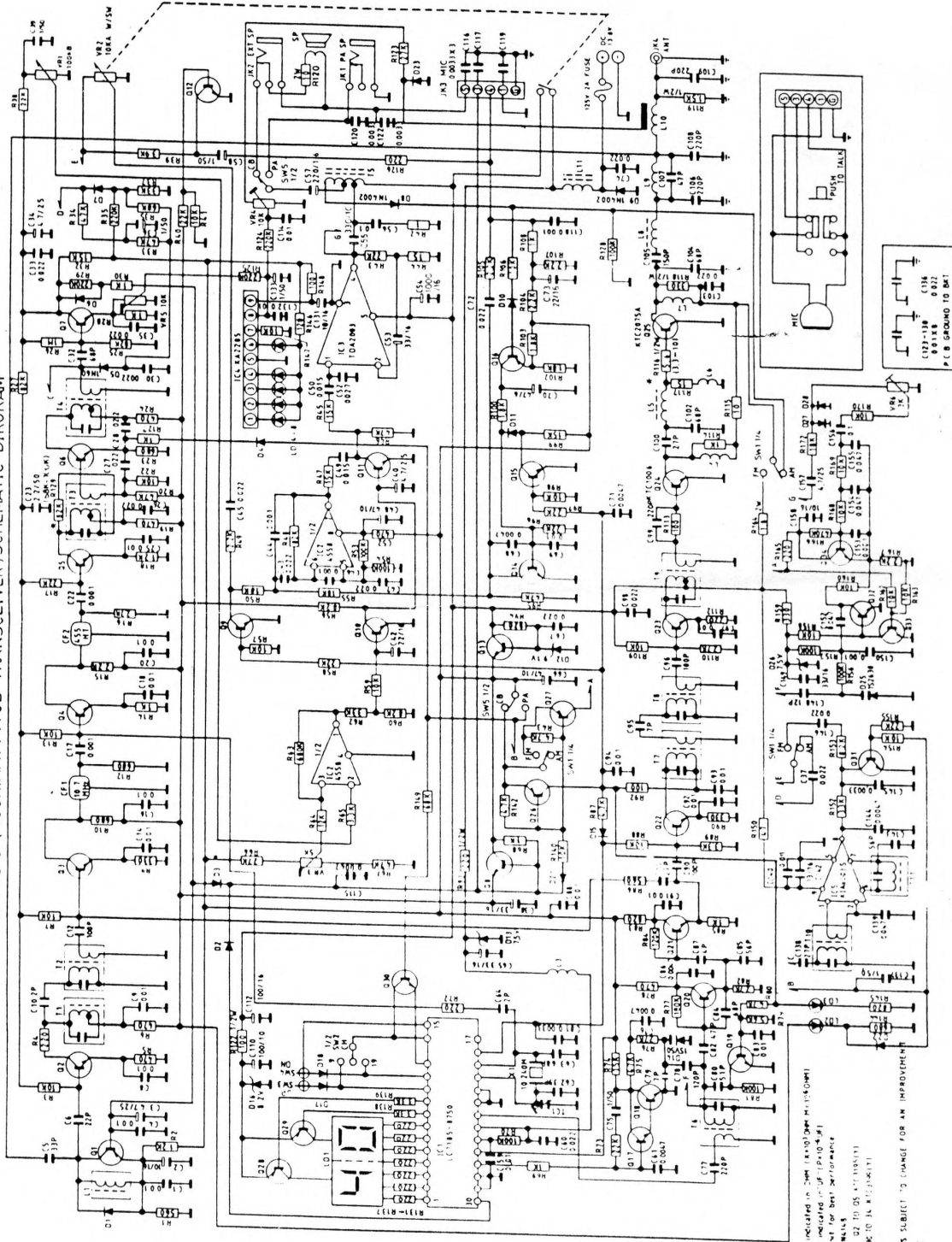


ONWA AM/FM

2-6112-31 (40CH AM/FM CB TRANSCEIVER) SCHEMATIC DIAGRAM



NOTES

- 1) All resistor values are indicated in ohms (R1000000 = 1M)
- 2) All capacitor values are indicated in pF (C100000 = 100µF)
- 3) R may vary from unit to unit for best performance
- 4) Not indicated solder are leads
- 5) D115 28 TO 29 REVISION D2 TO D5 ALL UNITS
- 6A 3 21022M 65101022 M TO 2A (10/24/71)
- 6B 3 21022M 65101022 M TO 2A (10/24/71)

REMARK: SOME COMPONENTS SUBJECT TO CHANGE FOR AN IMPROVEMENT WITHOUT NOTICE