

Trio

AG-203

CR Oscillator

Instruction Manual

Contents

Features	3
Specifications	4
Circuit Description	6
Panel Controls and Their Functions	8
Operating Instructions	10
Applications	12
Maintenance	15
Adjustment	16
Caution	17
Parts List	18
PC Board	21
Schematic Diagram	22

Features

- All solid-state circuitry ensure extreme high stability, minimum warm-up time and less power consumption.
- High reliability with adoption of direct coupled circuits throughout the entire stage.
- Compact styling with vertical type panel for easy operation.
- Frequency dial scale calibrated with single-scale graduations for frequency range 10Hz to 1MHz selectable in 5 ranges.
- High output design; more than 7V rms at no load and more than 3.5V rms at 600 Ω . Output level is fully adjustable with a 10dB step, 6 range attenuator and a level indicator.
- Low output impedance of 600 Ω . The attenuator provides accuracy of ± 1 dB at 600 Ω load.
- Sine and Square waves easily available.
- Synchronizing input terminal.
- Extremely high stability against variation of power source.

Specifications

Frequency Range	x 1 range; 10Hz – 100Hz x 10 range; 100Hz – 1KHz x100 range; 1KHz – 10KHz x 1K range; 10KHz – 100KHz x 10K range; 100KHz – 1MHz
Frequency accuracy	$\pm(3\% \pm 1\text{Hz})$
(Sine Wave Characteristics)	
Output voltages (no-load)	7V rms or more
Frequency Characteristics (reference freq. 1KHz)	10Hz – 1MHz, $\pm 1\text{dB}$
Distortion Factor	400Hz – 20KHz, 0.1% or less 100Hz – 100KHz, 0.3% or less (x 10 range for 100Hz) 50Hz – 200KHz, 0.5% or less 20Hz – 500KHz, 1% or less 10Hz – 1MHz, 1.5% or less
(Square wave characteristic)	
Output Voltage (no load)	10V p-p or more
Sag:	5% or less at 50Hz
Rise and Fall times:	200ns or less
Overshoot:	2% or less (at 1KHz, max output)
Duty ratio:	50% $\pm 5\%$ (at 1KHz, max output)
(External Synchronization Characteristics)	
Synchronization range:	$\pm 1\text{V}$
Max, allowable input voltage:	10V rms
Input impedance:	Approx 10K Ω
Output impedance:	600 Ω $\pm 10\%$
Output attenuator:	0dB, -10dB, -20dB, -30dB, -40dB, and -50dB in 6 steps (accuracy: $\pm 1\text{dB}$ at 600 Ω load.
(Stability against power source voltage variation (with respect to variation of 100V $\pm 10\%$))	
Frequency drift:	Within $\pm 5\%$
Output Voltage Variation:	Within $\pm 0.5\text{dB}$
Operating Temperature:	0-50° (relative humidity less than 90%)
Power Requirements:	AC 100V (120V, 220V or 240V), 50-60Hz
Power Consumption:	5 Watts
External View:	See Fig. 2 on page 9
Dimensions:	Casing 128(W) x 238(D) x 190(H)mm. Overall (including knobs); 130(w) x

Weight:	268(D) x 215(H)mm. 2.9kg.
Accessories:	Power cord (1) Output cord; one red and black test cord with basket clip and antenna plug. Banana plug; red (1) and black (1) Fuse; 0.125A (2) and 0.2A (2) Instruction Manual (1)

Circuit Description

1. Summary

When reading the following descriptions, refer to the block diagram (Fig. 1) and the schematic diagram.

The sine-wave signal generated by the Wien bridge oscillator circuit is fed through the WAVE FORM selector switch set at the " ~ " position to the OUTPUT control, by means of which it is adjusted to any desired voltage.

If the WAVE FORM switch is in the " □□ " position, the sine-wave signal is shaped into the square wave and the voltage is also adjusted by the OUTPUT control.

The signal voltage thus adjusted is applied to the output circuit, where its impedance is appropriately converted, and then delivered through an output attenuator to the output terminal. The attenuator provides selectable attenuations of 0dB through -50dB in 10dB steps at 600Ω of output impedance.

2. Wien Bridge Oscillator Circuit

The Wien bridge oscillator circuit elements consist of the resistance elements, which may be switched over for 5 ranges by the FREQ. RANGE switch, and the variable capacitor controlled by the FREQUENCY dial.

These elements provide means to vary the oscillating frequency continuously over 10 times its frequency on one range, thus determining any desired frequency within the entire frequency range from 10Hz to 1MHz.

The amplifier circuit for the oscillator circuit is composed of a 2-stage differential amplifier and an output stage, employing an DC amplifier circuit. The first stage is a high input impedance circuit with FET while the driver stage is a wide band, high amplification type circuit with PNP transistors featuring high cut-off frequency. The output stage is a SEPP circuit using complementary transistors.

The output voltage is fed back with positive polarity through the oscillator elements to form an oscillating circuit, while it is also fed back with negative polarity through the non-linear thermistor to stabilize the amplitude.

3. Square Wave Shaping Circuit

The square wave shaping circuit is a Schmidt-trigger circuit in which the sine wave signal from the oscillator circuit is shaped into a square wave. It is composed of an emitter coupled Schmidt-trigger circuit and a buffer amplifier, thus providing sufficient rising and falling characteristics.

4. Output Circuit

The output circuit converts the impedance of signal from the OUTPUT control and feeds the signal to the output attenuator at a low impedance. It is a SEPP-OCL circuit employing complementary transistors to provide sufficiently low output impedance characteristics over the range from DC to 1MHz.

5. Output Attenuator

The 6-position output attenuator selects attenuations of 0dB to -50dB in 10dB steps. At the 0dB position with the OUTPUT control turned fully clockwise, the output voltage (sine wave at no-load time) is more than 7V rms.

The output impedance is rated for 600Ω and the attenuation accuracy is as high as ±1.0dB at a 600Ω load.

6. Power Supply

The Power supply circuit is powered by AC (100V, 120V or 220V) and delivers DC ±22V sufficiently stabilized by large capacity smoothing capacitors (2200mF x 2) and a voltage stabilizer.

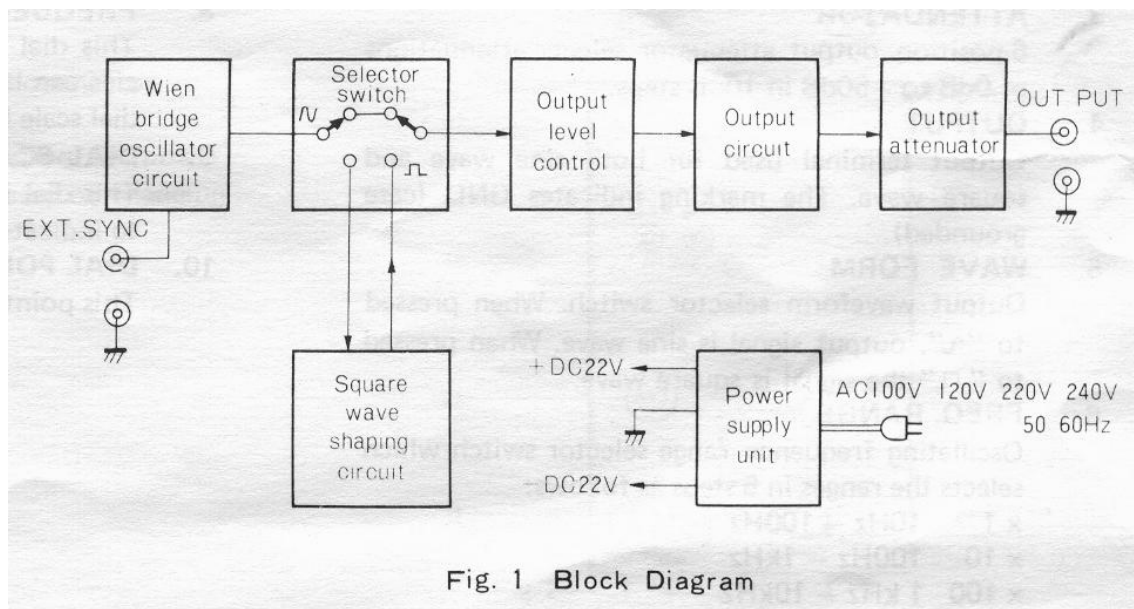


Fig. 1 Block Diagram

Panel Controls and Their Functions

The table below describes the functions of panel controls. Refer to the panel diagram on page 9. (Fig 2)

FRONT PANEL

This lamp (light emitting diode) lights when POWER switch (2) is ON.

2. POWER

Pushbutton type switch turns on the power when pressed.

3. ATTENUATOR

6-position output attenuator selects attenuations of 0dB to -50dB in 10dB steps.

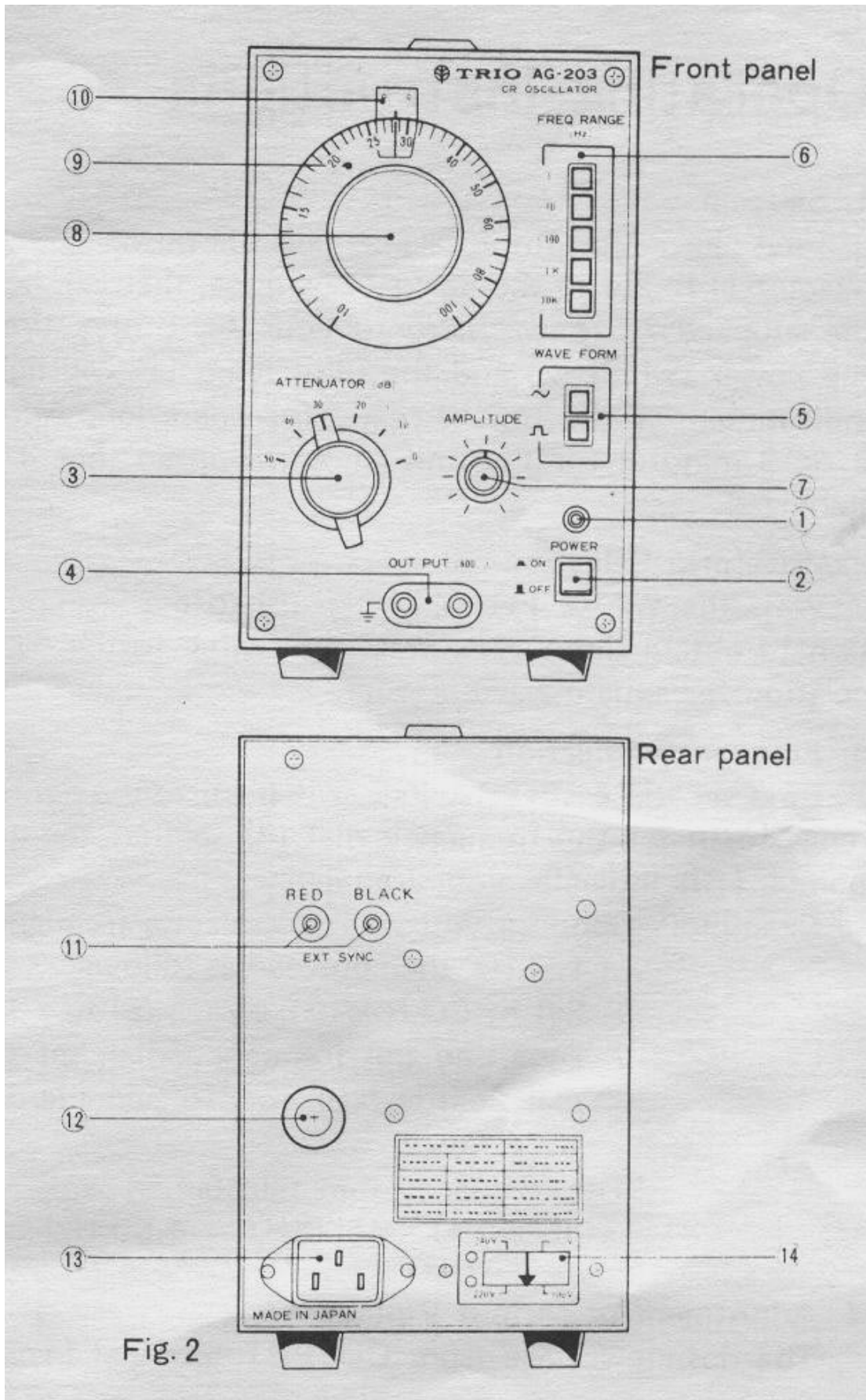


Fig. 2

4. **OUTPUT**
 Output terminal used for both sine wave and square wave.
 The marking indicates GND (case grounded).

5. **WAVE FORM**
Output waveform selector switch. When pressed to “~”, output signal is sine wave. When pressed to “ \square ” the signal is square wave.
6. **FREQ. RANGE**
Oscillating frequency range selector switch which selects the ranges in 5 steps as follows:

X 1	10Hz -100Hz
x10	100Hz- 1kHz
x100	1kHz - 10kHz
x 1K	10kHz – 100kHz
x 10K	100kHz – 1MHz
7. **Amplitude**
Amplitude adjuster to continuously vary the amplitude of output voltage.
8. **FREQUENCY DIAL**
This dial adjusts oscillating frequencies. Frequencies can be read by multiplying the reading on the dial scale by magnification of FREQ.RANGE.
9. **DIAL SCALE**
This dial is calibrated with graduations of 10-100 to indicate oscillating frequencies.
10. **DIAL POINTER**
This pointer indicates frequencies on the dial scale.

REAR PANEL

11. **Sync.**
External synchronizing signal input terminals fir GND for connection of synchronizing signal to AG-203.
12. **Fuse**
Fuse fore Power supply.
13. **A.C. Connector**
For connection of the supplied A.C. connector.
14. **Power Voltage Selector.**
This selector is preset to 240V position. A.C. power of 100V, 120V or 220V may be used by changing the position of the selector.

Operating Instructions

1. Start-up

First check that the fuse (12) and the power voltage selector (14) are in the normal positions, then connect the supplied AC power cord to your AC outlet. Press the power switch (2) and the pilot lamp (1) will light indicating that the unit is ready for operation. Allow 2 or 3 minutes for the unit to warm up so that it is stabilized.

2. Waveform Selection

Press the WAVE FORM switch (5) to the " ~ " position to obtain sine waves. Press the switch to the " \square " position for square waves.

3. Frequency Selection

First set the FREQ.RANGE switch (6) to the desired range, then set the frequency dial (8) so that the dial pointer (10) indicates your frequency.

Example: Suppose you want to select a frequency of 1.5kHz, then proceed as follows:

1. Set FREQ RANGE switch (6) to x 100
2. By using the frequency dial, set the dial pointer (10) to "15" on the dial scale.

The frequency thus selected is:

$$15 \times 100 = 1500(\text{Hz} = 1.5(\text{kHz}))$$

4. Adjustment of Output Voltage

The output voltage from OUTPUT terminal (4), be it sine wave or square wave, can be continuously varied by AMPLITUDE (7) and stepped down by ATTENUATOR (3).

Example: To adjust output voltage to 10mV rms, proceed as follows:

1. Connect a voltmeter capable of measuring AC 1 V rms to OUTPUT terminal (4).
2. Set ATTENUATOR (3) to 0dB and then adjust AMPLITUDE (7) until the voltmeter indicates 1V rms. A voltage of 1V rms will appear at OUTPUT terminal (4).
3. Set ATTENUATOR (3) to -40dB. The voltmeter indicates about 0V, while a voltage of 10mV rms appears at OUTPUT terminal (4).

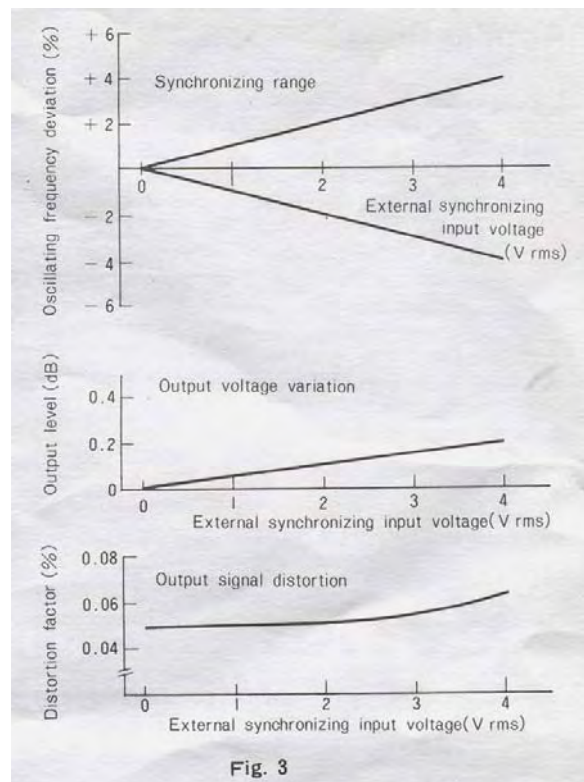
5. Use of Synchronizing Input Terminal

By applying an external sine wave signal to SYNC terminal (11), the oscillating frequency of AG-203 can be synchronized to the external signal. The synchronizing range is increased in proportion as the input voltage is increased as shown in Fig. 3, indicating that the synchronizing range is about $\pm 1\%$ per input voltage of 1 V.

Example: Suppose that the input signal voltage is 1V rms and the oscillating frequency of AG-203 is between 990Hz and 1010Hz

$(1\text{kHz} \pm 1\text{kHz} \times 1\%/V \times 1V = 1\text{kHz} \pm 1\text{kHz} \times 0.01)$, the frequency can be synchronized with 1 kHz of the input signal.

Note that too high a synchronizing signal voltage will affect the amplitude and



distortion factor, and care must therefore be taken when the signal voltage is higher than 3V rms. Also, note that if the synchronizing signal is largely deviated from the frequency of AG-203, the synchronization is pulled out which affects the distortion factor. It is therefore advisable that the oscillating frequency be first synchronized with a low input signal voltage (less than 1 V rms) and then the voltage be increased.

Applications

1. Using as Sine Wave Oscillator

AG-203 can be used as a sine wave oscillator as outlined below.

- 1.1 Since the unit features low distortion factor, it can be used for measurement of distortion characteristic of amplifier.
- 1.2 Since the unit features wide bandwidth, it can be used for measurement of frequency characteristic of amplifier.
- 1.3 The built-in high accuracy attenuator permits measurement of amplifier gain.
- 1.4 Can be used as a signal-source of impedance bridge.

2. Measurement of Amplifier Gain

An example of measurement of amplifier gain is described below.

First connect AG-203, amplifier to be tested and AC volt-meter as shown in Fig. 4.

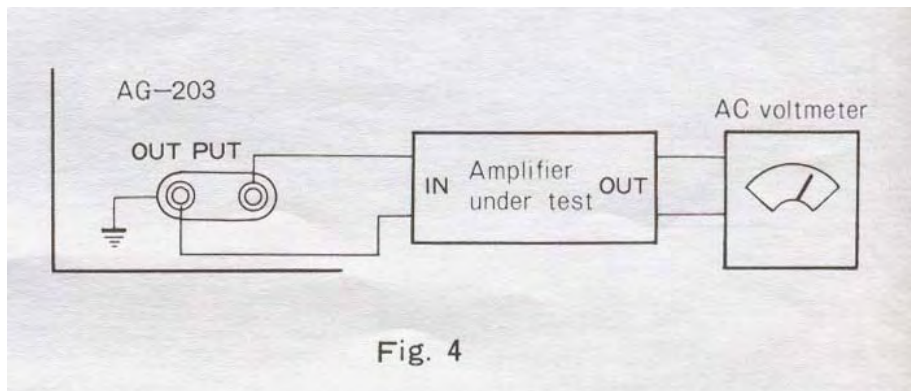


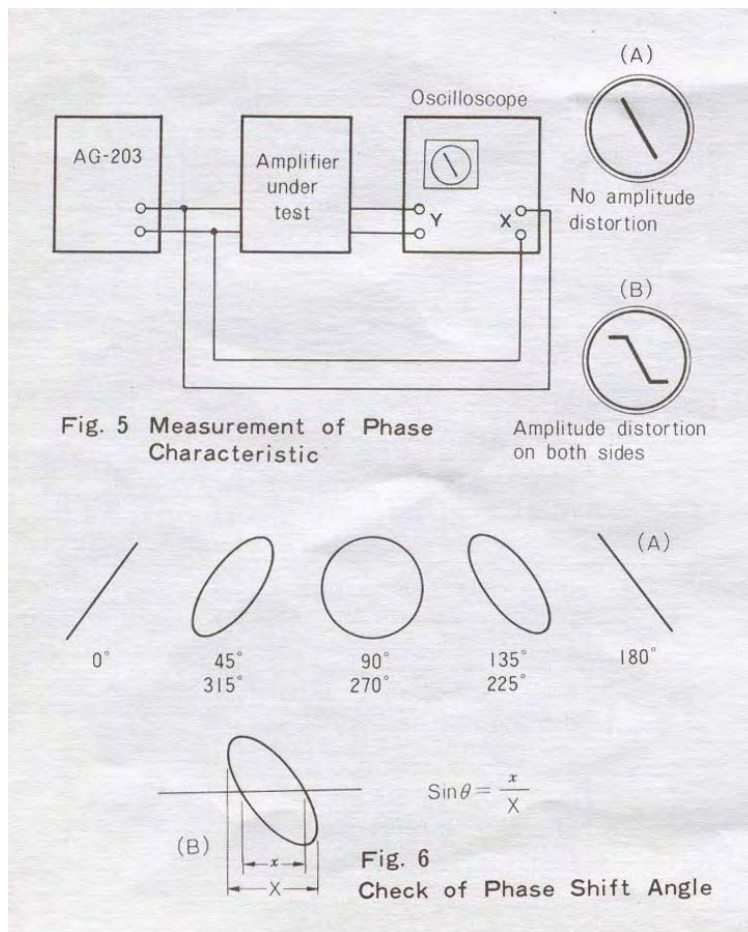
Fig. 4

1. Adjust ATTENUATOR (3) and AMPLITUDE (7) so that AC volt-meter indicates the rated output (supposed to be 1V in this example) of the amplifier. To facilitate the measurement, it is advisable to set ATTENUATOR (3) as low as possible. Assume that ATTENUATOR (3) is set -50dB for the rated output.
2. Disconnect the amplifier and connect the AC volt-meter to AG-203 to measure the output voltage. Note that the use of ATTENUATOR (3) eliminates the need for connecting a high sensitivity voltmeter. If ATTENUATOR (3) is set to 0dB and the voltmeter indicates 2V, it means that the input voltage of the amplifier is 50dB below 2V. Therefore, the gain obtained is as follows:

$$\begin{aligned}
& 50\text{dB} + 20 \log_{10} \frac{1\text{V}}{2\text{V}} \text{dB} \\
& = 50\text{dB} - 6\text{dB} \\
& = 44\text{dB}
\end{aligned}$$

3. Measurement of Phase Characteristic

Connect AG-203 and an oscilloscope to the amplifier to be tested as shown in Fig. 5. If there is no phase shift about the output signal of the amplifier, the oscilloscope will display a straight line as shown in Fig. 5A. If the straight line on the oscilloscope is curved at its top and bottom sections as shown in Fig. 5B, it indicates that the output signal of amplifier is suffering from an amplitude distortion. In this case, reduce the output level of AG -203 a little to vary the frequency. This causes the straight line on the oscilloscope to expand gradually to turn into an ellipse. By utilizing the configuration of this ellipse, the phase shift can be calculated as follows:



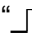
First, measure the maximum horizontal deflection and suppose that this deflection is "X" and that the section at which the ellipse crosses the horizontal axis is "x", as shown in Fig. 6. And, the phase shift angle θ is given by the following.

$$\sin \theta = \frac{x}{X}$$

Find θ from the table of trigonometric functions and the value obtained gives the angle of phase shift.

4. Using as Square Wave Oscillator

AG-203 features excellent rising and falling characteristics (120 ns as standard characteristic). It has no coupling capacitors in the output stage, so the sag (deflection of top section) is as low as 5% at 50Hz. By applying such a good square wave to an amplifier input, various characteristics of amplifier can be observed on an oscilloscope. To test an amplifier, proceed as follows:

1. Connect AG-203, an amplifier to be tested and an oscilloscope as shown in Fig. 7.
2. Press WAVE FORM (5) to the “” position to obtain square waves of appropriate frequency and amplitude.
3. During the test, change the frequency as necessary. The relationship between waveforms and amplifier characteristics is shown in Fig. 8.

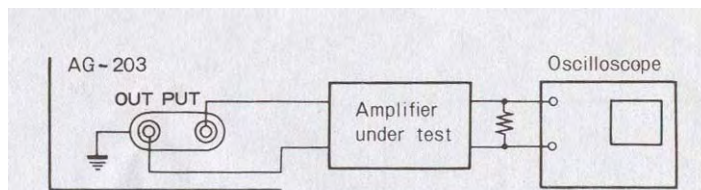


Fig. 7

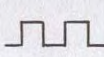
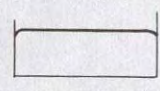
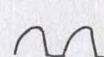
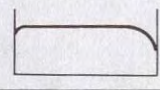
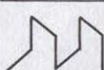
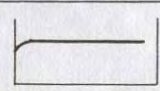
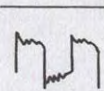
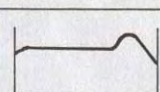
Output Waveform	Amplifier Characteristic	
	Flat frequency characteristic over 10 times the input frequency.	
	Frequency of about 10 times the input frequency is cut off.	
	Frequency of about 1/10 of the input frequency is cut off.	
	Peak appears on frequency of about 10 times the input frequency.	

Fig. 8

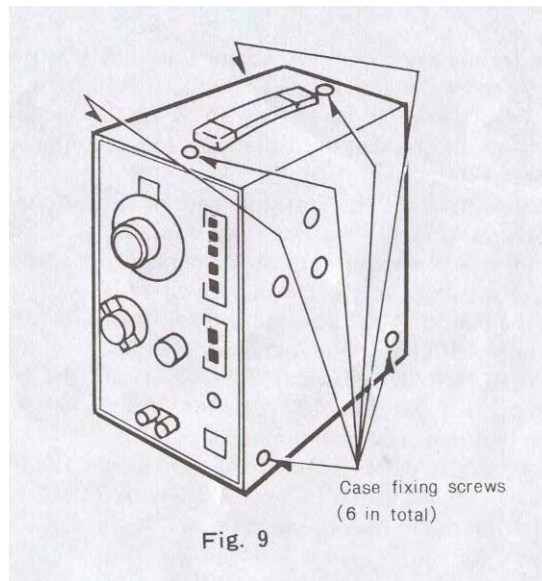
Maintenance

1. Removal of Case

Remove 2 screws each on the left, right and top sides with a Phillips head screwdriver. Lift the case at the underside until the case is fully removed (see Fig. 9).

2. Mounting the Case

Place the case so that the underside of it is left open a little. Tighten 6 screws uniformly. Do not use excessive force when tightening, as it will damage the screws and the vinyl leather on the case.



3. Replacement of Fuse

Open the fuse holder with a Phillips head screwdriver. Replace the fuse with one having the same rating.

Adjustments

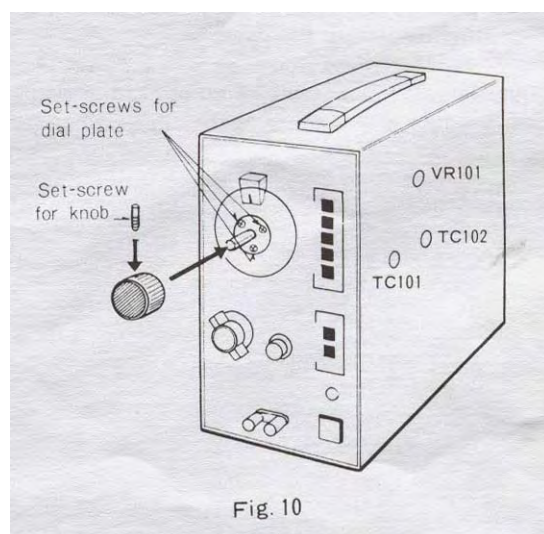
All the circuits of **AG-203** are factory adjusted prior to shipment and no further adjustments are required, except for the frequency dial which may need readjustment for proper tracking. Although this dial is also pre-adjusted at the factory. If readjustment is required, proceed to the adjusting work using an accurate test equipment. Note that the power supply voltage must be calibrated before making adjustment (see Fig. 10).

1. Connect a frequency counter to OUTPUT terminal (4).

2. Remove the knob of the frequency dial, then loosen the set-screws on the dial.

3. Set FREO. RANGE switch (6) to X 100 and adjust the shaft of the dial until the frequency counter indicates 1 kHz.

4. Set the dial to "10" position and tighten the setscrews, making sure that the shaft stays as it is. Check that the frequency counter is indicating 1 kHz, then secure the knob to the dial.



5. Set the dial to "10" position and adjust TC101 for a reading of 10kHz on the frequency counter.

6. Set FREQ. RANGE switch (6) to X 1 and the frequency dial (8) to "10" position. Adjust VR101 until the frequency counter indicates 10Hz.
7. Set FREQ. RANGE switch (6) to X 10k and the frequency dial (8) to "100" position. Adjust TC102 for 1 MHz on the frequency counter.

Caution

1. **Do not apply voltage of more** than 10V rms to **OUTPUT** terminal and **SYNC** terminal. If a DC voltage is to be used, it should be applied through a capacitor.
2. Connecting leads should be as short as possible. Use of a long shield cable will affect high frequency amplitude characteristics because of its own line capacitance. Also, use of a long unshielded lead will introduce noise and cause other troubles.
3. Power supply voltage:
AG-203 is preset to operate on AC 240V, however, this should be checked before connecting AC power cord. If your local AC voltage is other than 240V, change the position of the power voltage selector according to the instructions on the rear panel. Note that operating voltage is within $\pm 10\%$ of the rated voltage.
4. Output waveform after switching on:
Because of the use of direct coupled circuits throughout the entire stage, a DC voltage will appear at OUTPUT terminal for a while when the power is on. This DC voltage will disappear about 20 to 30 seconds later when normal output waveform is obtained.
5. Output voltage variation due to ambient temperature: A thermistor is used to control the oscillating voltage. Care should be used when operating **AG-203** in atmosphere of excessive temperature variation because the thermistor is normally affected by ambient temperature variation.
6. Be sure to press only one FREQ RANGE switch. If two switches are pressed at the same time or all the switches are in released positions, your AG-203 will not work properly.
7. Impedance matching:
Any related equipment to be connected to OUTPUT terminal should be checked to see that its input impedance matches the output impedance (600 Ω) of AG-203.
8. Effect of external noise:
Excessive noise from an outside source may affect the external synchronizing input terminal. If such a noise is evident, short this terminal (output voltage amplitude will somewhat deviate in this case).

Parts List

Ref No.	Parts No.	Description
Miscellaneous		
-	A01-0809-22	Case
-	A10-1409-13	Chassis
-	A20-2708-03	Frame
-	A21-0811-03	Ornament Panel
-	A23-1606-03	Rear Panel
-	A40-0703-13	Bottom Plate
-	B07-0189-04	Push Escutcheon
-	B07-0190-04	Push Escutcheon
-	B20-0804-14	Graticule
-	B23-0601-04	Pointer
-	B30-0902-15	LED Group
-	B40-2703-04	Serial Plate
-	B41-0702-14	Voltage Indication Panel
-	B50-2818-00	Instruction Manual
VC1a, b	C01-0154-15	Variable Capacitor
-	D13-0501-15	Bevel Gear (1)
-	D13-0502-15	Bevel Gear (2)
-	D21-0061-04	Shaft
-	D23-0061-04	Bearing
-	E03-0201-15	Power Connector
-	E08-1081-05	Voltage Selector (jack)
-	E09-0681-05	Voltage Selector (plug)
-	E18-0106-05	Terminal, type banana
-	E18-0107-05	Terminal, type banana (black)
-	E21-0209-13	Pair terminal
-	E30-0095-05	Cord (black)
-	E30-0096-05	Cord (red)
-	E91-0003-05	Mini-gator clip with black insulator
-	E91-0004-05	Mini-gator clip with red insulator
-	E91-0016-05	Banana tip (black)
-	E91-0015-05	Banana tip (red)
-	F05-2012-05	Fuse (0.2A) x 2
-	F05-1218-05	Fuse (0.125A) x 3
-	F10-1511-04	Shield Plate
-	G01-0901-04	Spring
-	H01-2812-04	Packing Case (individual packing)
-	H10-2802-02	Packing material, foamed styrene
-	H20-1703-04	Protection cover
-	H25-0801-04	Polythene bag

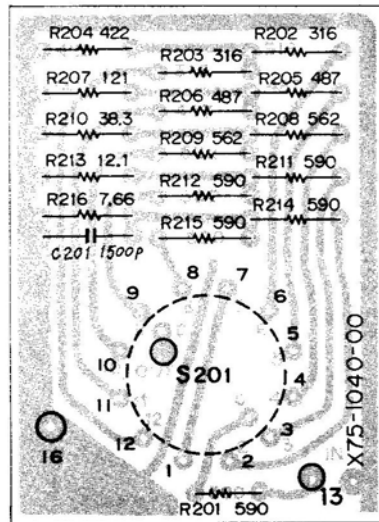
Ref No.	Parts No.	Description
-	J03-0003-04	Rubber leg
-	J13-0033-15	Fuse Holder
-	J21-2820-04	Variable Capacitor mounting hardware
-	J21-2877-04	Switch Mounting hardware
-	J42-0038-04	Hall Brush
-	K01-0058-25	Grip
-	K21-0282-04	Knob (push)
-	K21-0292-04	Knob (push) (orange)
-	K21-0306-04	Knob
-	K21-0803-04	Dial Knob
-	K21-0807-04	Knob (push) (blue)
-	L01-9026-05	Power Transformer
-	S40-2506-05	Push Switch
-	X65-1160-00	Main unit (Printed circuit board)

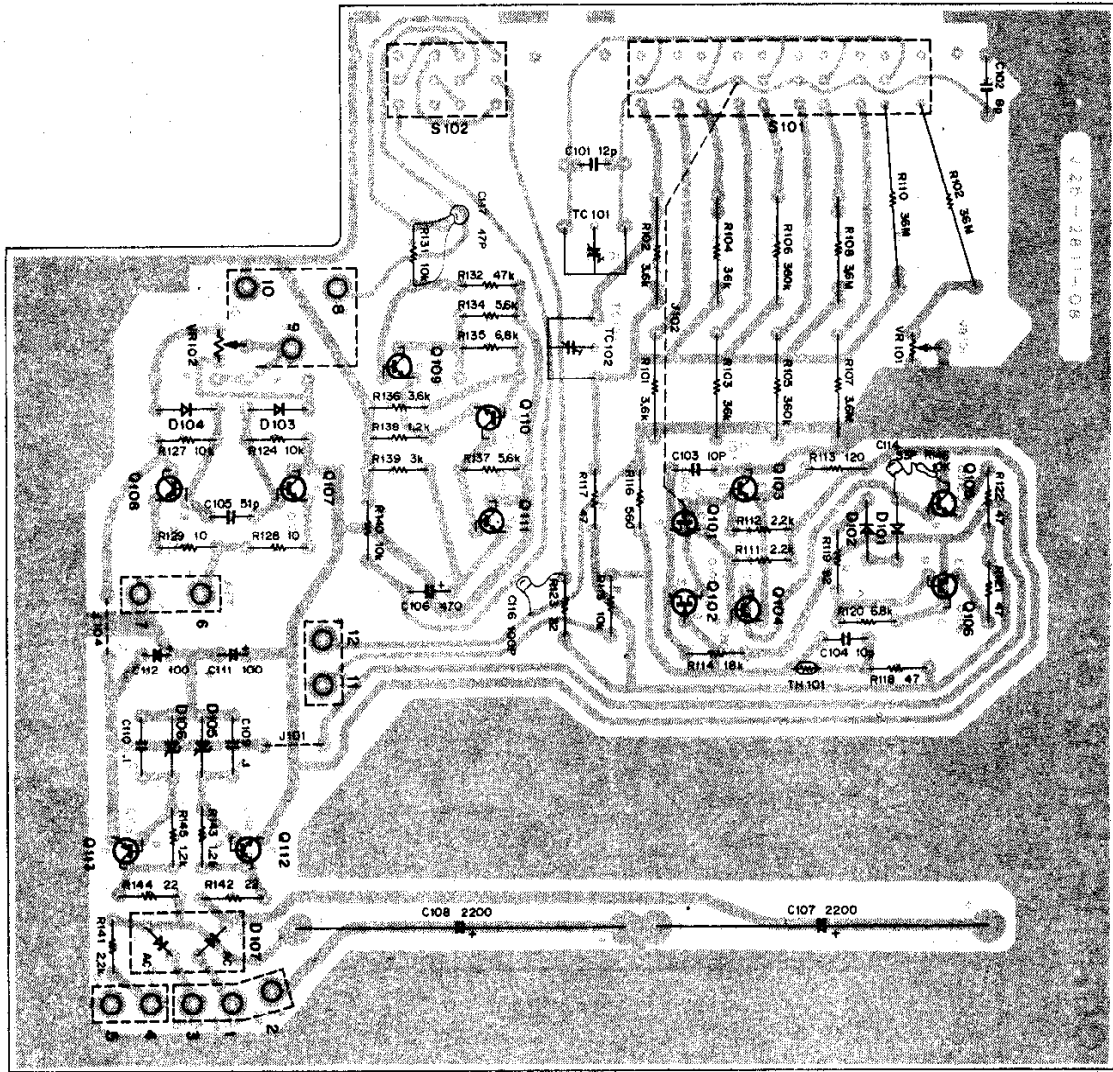
Parts List of X65-1160-00

Ref No.	Parts No.	Description
Capacitor		
C101	CM93B2A120J	Mica 12pF
C102	MC93BD2A080D	Mica 8 pF
C103	CM93BD2A100D	Mica 10pF
C104	CM93BD2A100D	Mica 10pF
C105	CM93BD2A510J	Mica 51pF
C106	CE04W1E470	Electrolytic 470uF 25V
C107, C108	CE04W1V222	Electrolytic 2200uF 35V
C109, C110	CQ93M1H104K	Mylar 0.1 uF
C111, C112	CE04W1E101	Electrolytic 100uF 25V
C113	CH93BD2A040D	Mica 4 pF
C114	CC45SL1H330J	Ceramic 33pF
C116	CC45SL1H101J	Ceramic 100pF
C117	CC45CH1H470J	Ceramic 47pF
C201	CK45D1H152M	Ceramic 1500pF ±20%
Resistor		
R101, R102	RN14BY2E3601F	Metal 3.6KΩ ±1% ¼W
R103, R104	RN14BY2E3602F	Metal 36KΩ ±1% ¼W
R105, R106	RN14BY2E3603F	Metal 360KΩ ±1% ¼W
R108, R108	R92-0796-05	Metal 3.6MΩ ±1% ½W
R109, R110	R92-0797-05	Metal 36MΩ ±1% ½W
R111, R112	RD14BB2E222J	Carbon 2.2KΩ ±5% ¼W
R113	RD14BB2E121J	Carbon 120Ω ±5% ¼W
R114	RD14BB2E183J	Carbon 18KΩ ±5% ¼W
R115	RD14BB2E103J	Carbon 10KΩ ±5% ¼W
R116	RD14BB2E561J	Carbon 560Ω ±5% ¼W
R117, R118	RD14BB2E470J	Carbon 47Ω ±5% ¼W
R119	RD14BB2E820J	Carbon 82Ω ±5% ¼W
R120	RD14BB2E682J	Carbon 6.8KΩ ±5% ¼W
R121, R122	RD14BB2E470J	Carbon 47Ω ±5% ¼W
R123	RD14BB2E820J	Carbon 82Ω ±5% ¼W
R124	RD14BB2E103J	Carbon 10KΩ ±5% ¼W

Ref No.	Parts No.	Description
R125, R126	RD14BB2E103J	Carbon 10K Ω \pm 5% $\frac{1}{4}$ W
R127, R146	RD14BB2E100J	Carbon 10 Ω \pm 5% $\frac{1}{4}$ W
R128, R129	RD14BB2E103J	Carbon 10K Ω \pm 5% $\frac{1}{4}$ W
R131	RD14BB2E103J	Carbon 10K Ω \pm 5% $\frac{1}{4}$ W
R132	RD14BB2E473J	Carbon 47K Ω \pm 5% $\frac{1}{4}$ W
	Not Used	
R134	RD14BB2E562J	Carbon 5.6K Ω \pm 5% $\frac{1}{4}$ W
R135	RD14BB2E682J	Carbon 6.8K Ω \pm 5% $\frac{1}{4}$ W
R136	RD14BB2E362J	Carbon 3.6K Ω \pm 5% $\frac{1}{4}$ W
R137	RD14BB2E562J	Carbon 5.6K Ω \pm 5% $\frac{1}{4}$ W
R138	RD14BB2E122J	Carbon 1.2K Ω \pm 5% $\frac{1}{4}$ W
R139	RD14BB2E302J	Carbon 3.0K Ω \pm 5% $\frac{1}{4}$ W
R140	RD14BB2E103J	Carbon 10K Ω \pm 5% $\frac{1}{4}$ W
R141	RD14BB2E222J	Carbon 2.2K Ω \pm 5% $\frac{1}{4}$ W
R142	RD14BY2H220J	Carbon 22 Ω \pm 5% $\frac{1}{2}$ W
R143	RD14BB2E122J	Carbon 1.2K Ω \pm 5% $\frac{1}{4}$ W
R144	RD14BY2H220J	Carbon 22 Ω \pm 5% $\frac{1}{2}$ W
R145	RD14BB2E122J	Carbon 22 Ω \pm 5% $\frac{1}{4}$ W
R146	RD14BB2E103J	Carbon 10K Ω \pm 5% $\frac{1}{4}$ W
R201	RN148K2H5900F	Metal 590 Ω
R202, 203	RN148K2H3160F	Metal 316 Ω
R204	RN148K2H4220F	Metal 422 Ω
R205, 206	RN148K2H4870F	Metal 487 Ω
R207	RN148K2H1210F	Metal 121 Ω
R208, 209	RN148K2H5620F	Metal 562 Ω
R210	RN148K2H38R3F	Metal 38.3 Ω
R211, 212	RN148K2H5900F	Metal 590 Ω
R213	RN148K2H12R1F	Metal 12.1 Ω
R214, 215	RN148K2H5900F	Metal 590 Ω
R216	RN148K2H3R83F	Metal 3.83 Ω
J101-103	R92-0150-05	Jumper Wire
Semiconductor		
Q101, 102	2SK381D	Field Effect Transistor
Q103, 104	2SA838 (C)	Transistor
Q105	2SC1222 (Y)	Transistor
Q106	2SA604 (Y)	Transistor
Q107	2SC945 (Y)	Transistor
Q108	2SA505 (Y)	Transistor
Q109	2SC2274 (D E)	Transistor
Q110, 111	2SC1222 (Y)	Transistor
Q112	2SC1096	Transistor
Q113	2SA634	Transistor
D101~104	1S1588	Diode
D105, 106	MTZ24JC	Diode
D107	W02	Diode Bridge
TH101	STT-300H	Thermistor
Miscellaneous		
VR101	R12-8001-05	Semi-fixed resistor 2.2M Ω B
VR102	R12-0056-05	Semi-fixed resistor 100 Ω B

Ref No.	Parts No.	Description
S101 a~e	S42-5501-05	Push switch
S102 a, b	S42-2501-05	Push switch
S201 a, b	S01-2502-05	Rotary Switch
-		Printed circuit board





7-28-2611-08

K4XL's **BAMA**

This manual is provided **FREE OF CHARGE** from the “BoatAnchor Manual Archive” as a service to the Boatanchor community.

It was uploaded by someone who wanted to help you repair and maintain your equipment.

If you paid anyone other than BAMA for this manual, you paid someone who is making a profit from the free labor of others without asking their permission.

You may pass on copies of this manual to anyone who needs it. But do it without charge.

Thousands of files are available without charge from BAMA. Visit us at <http://bama.sbc.edu>