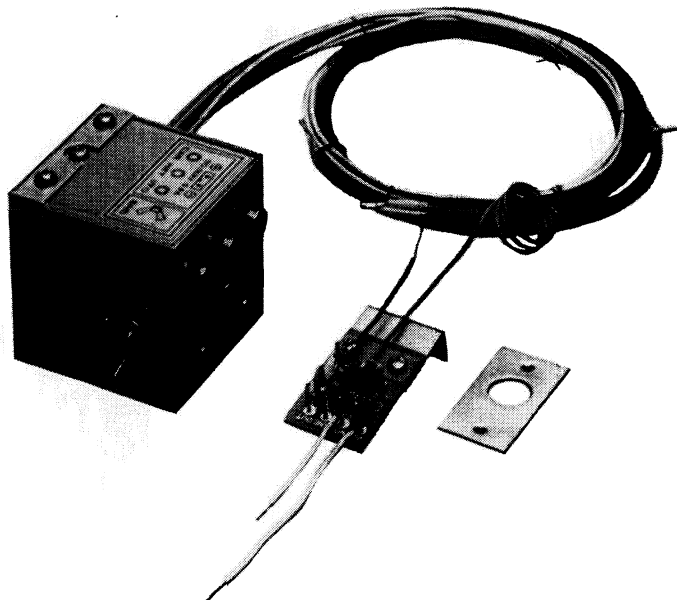


KENWOOD

SERVICE MANUAL

DK-520



DIGITAL ADAPTOR KIT

FEATURES

FEATURES

The KENWOOD DK-520 Digital Adaptor Kit is designed for adapting the DG-5 digital counter to the TS-520. The DK-520 consists mainly of a power supply with connectors to supply the signals to the DG-5, and a buffer unit for the HET output signals.

CHECKING METHOD

Confirm that the whole wiring is free from misconnections. Turn on the power switch of the TS-520 D, X and check whether the power source output voltage is between DC 13V and 17.5V at no load. Connect the DG-5 and confirm that output is counted normally at the counter. Since then, make the DG-5 display each output.

FREQUENCIES AT RESPECTIVE TERMINALS

Carrier Frequencies

Mode	Reception	Transmission
LSB	3.3935 MHz	3.3935 MHz
USB	3.3965 MHz	3.3965 MHz
CW	3.3943 MHz	3.3950 MHz

Note: Since each frequency has been adjusted to the characteristics of the crystal filter, the frequency reading is acceptable if it does not widely deviate from the above standard.

VFO Frequencies

Dial graduation	0 300 600
Frequency	5.5 MHz ~ 5.2 MHz ~ 4.9 MHz

Heterodyne Frequencies

Band	Frequency
3.5 MHz	12.395 MHz
7.0 MHz	15.895 MHz
14.0 MHz	22.895 MHz
21.0 MHz	29.895 MHz
28.0 MHz	36.895 MHz
28.5 MHz	37.395 MHz
29.1 MHz	37.995 MHz

PARTS LIST

TOTAL

☆ : New parts

K: U.S.A.

W: Europe

Ref. No.	Parts No.	Description	Re- marks
-	B50-2555-00	Operating manual	☆
-	E08-0203-25	2P connector socket	
-	E09-0203-25	2P connector plug X 2	
-	E29-0403-04	Terminal cap	
-	F05-2023-05	Fuse (2A) X 2	
-	H01-2541-03	Carton case (inside)	☆
-	H12-0414-04	Packing material	☆
-	H12-0415-04	Packing material	☆
-	H25-0029-04	Polyethylene bag	
-	H25-0103-04	Protection cover	
-	J13-0029-05	Fuse holder	
-	J32-0218-04	Hex. boss	
-	J32-0713-04	Boss for mounting	☆
-	J61-0019-05	Vinyl tie X 5	
-	N09-0248-05	Bolt (butterfly type)	
-	N10-2030-46	Hex. nut X 3	
-	N15-1040-46	Washer X 3	
-	N16-0040-46	Spring washer X 2	
-	N30-3004-46	Round head screw X 3 (for PC board)	
-	N30-3008-46	Round head screw X 2 (for connector)	
-	N30-4006-46	Round head screw (4 mm)	
-	N87-3006-46	Tap-tight screw X 2	
-	N89-3006-46	Bind tap-tight screw X 3	
-	X43-1290-00	Power supply unit	☆
-	X44-1210-00	Buffer unit	☆

POWER SUPPLY UNIT (X43-1290-00)

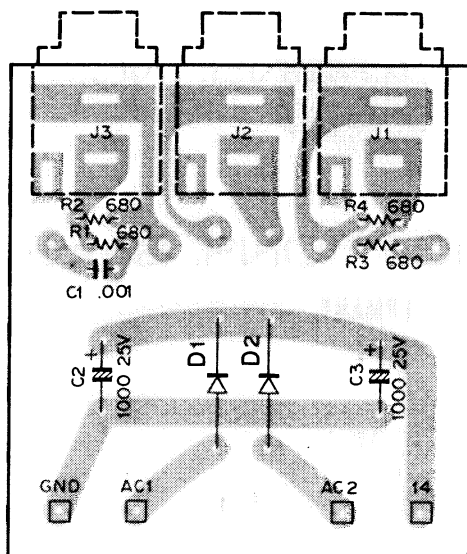
Ref. No.	Parts No.	Description	Re- marks
C1	C45B1H102K	Ceramic 1000pF ±10%	
C2, 3	CE04W1E102	Electrolytic 1000μF 25WV	
R1~4	RD14CB2E681J	Carbon 680Ω ±5% 1/4W	
D1, 2	V11-0270-05	Diode U05B	
J1, 3	E13-0163-05	Phono jack	
J2	E13-0162-05	Phono jack	
-	E23-0046-04	Terminal (square type) X 4	

BUFFER UNIT (X44-1210-00)

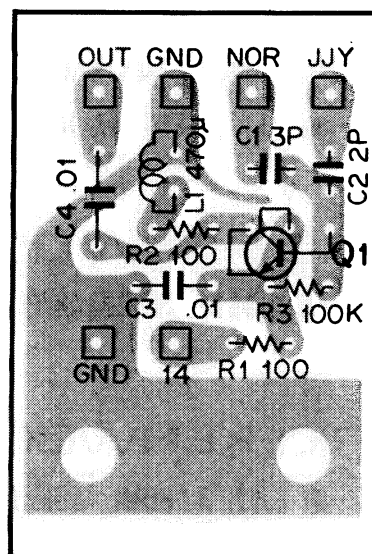
Ref. No.	Parts No.	Description	Re- marks
C1	CC45SL1H030C	Ceramic 3pF ±0.25pF	
C2	CC45SL1H020C	Ceramic 2pF ±0.25pF	
C3, 4	CK45F1H103Z	Ceramic 0.01μF +80%, -20%	
R1, 2	RD14CY2B101J	Carbon 100Ω ±5% 1/8W	
R3	RD14CY2B104J	Carbon 100kΩ ±5% 1/8W	
Q1	V03-0079-05	Transistor 2SC460(B)	
L1	L40-4711-03	Ferri-inductor 470μH	
-	E23-0046-04	Terminal (square type)	

PC BOARD

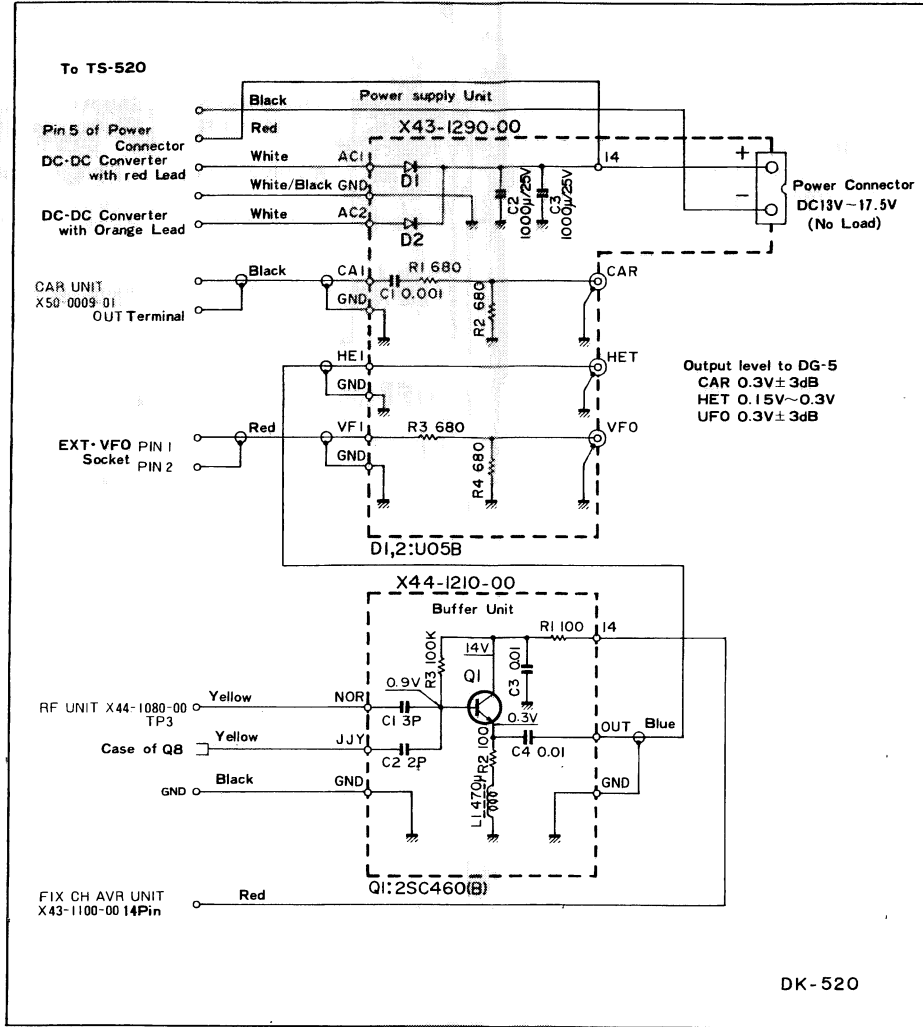
▼ POWER SUPPLY UNIT (X43-1290-00)



▼ BUFFER UNIT (X44-1210-00)



SCHEMATIC DIAGRAM



TRIO-KENWOOD COMMUNICATIONS, INC.

■ 1111, WEST WALNUT STREET COMPTON CALIFORNIA 90220, U.S.A.

TRIO-KENWOOD COMMUNICATIONS, GmbH

■ D-6374 STEINBACH-TS INDUSTRIESTRASSE, 8A WEST GERMANY.

TRIO-KENWOOD CORPORATION.

■ 6-17, 3-CHOME, AOBADAI, MEGURO-KU, TOKYO, JAPAN.