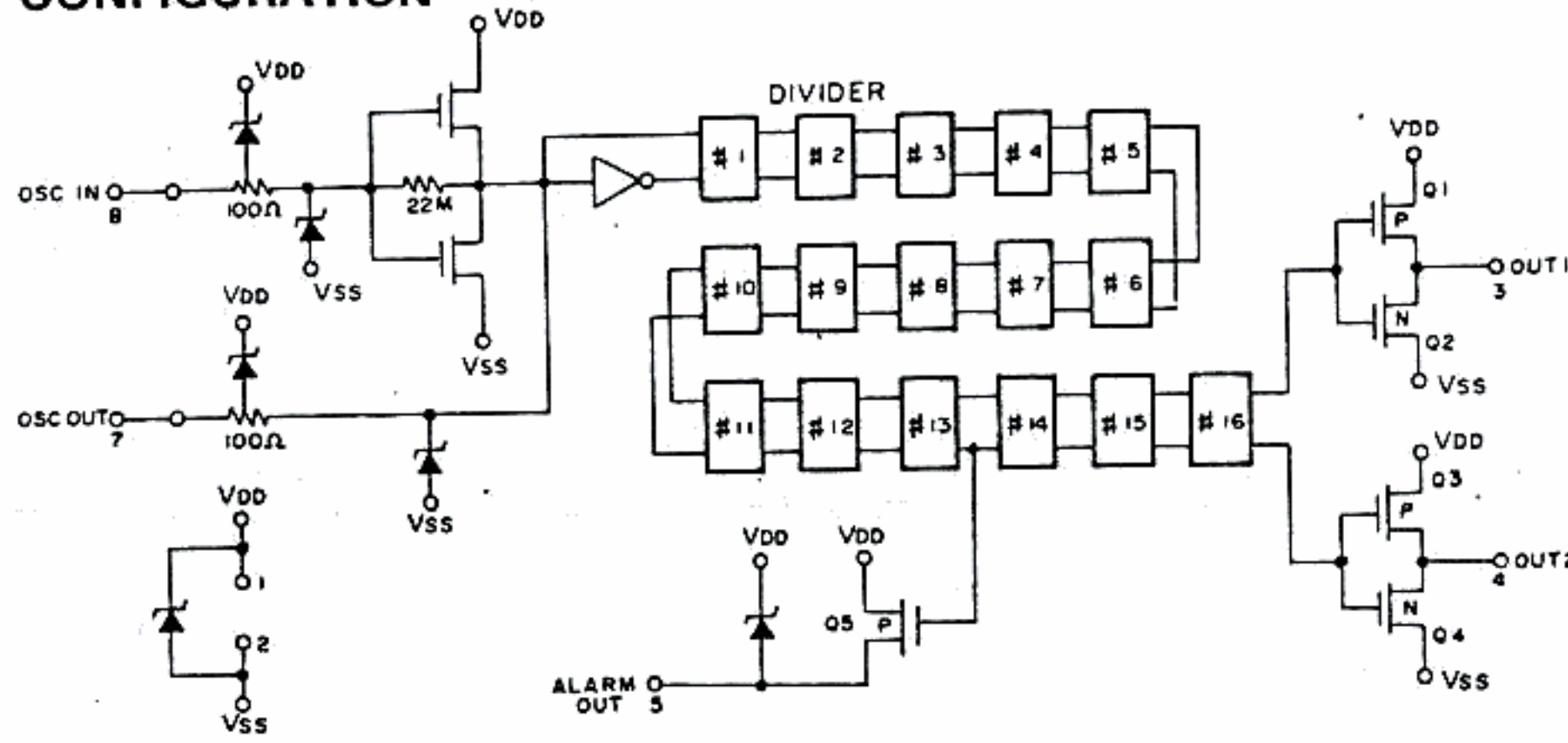
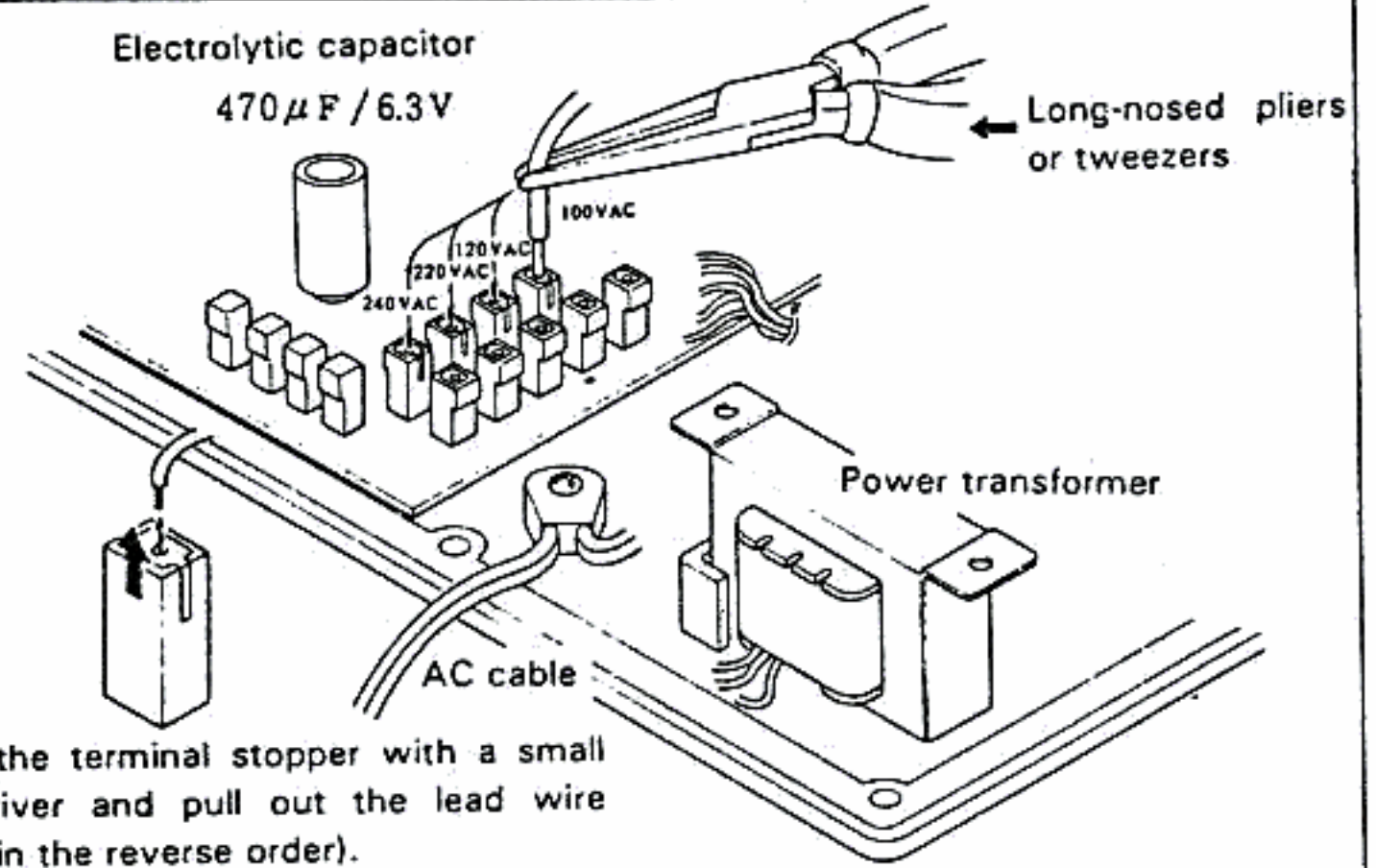


# SM5501 CIRCUIT CONFIGURATION

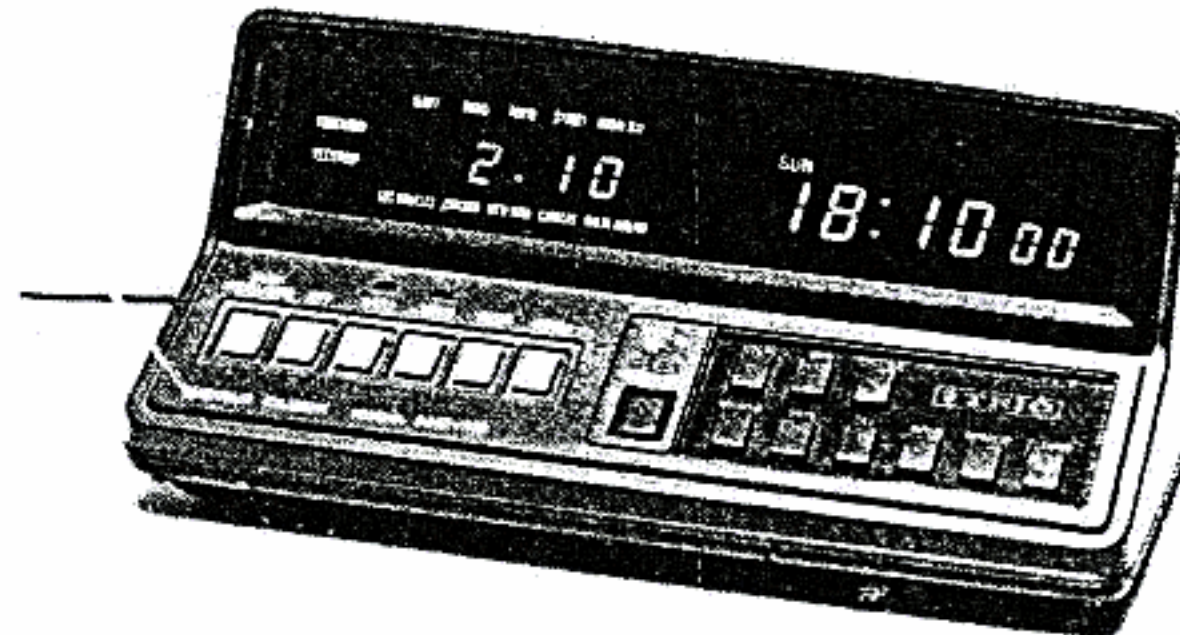


## • CHANGING THE POWER VOLTAGE

The HC-10 can be used with any power supply. Change the power supply voltage as shown in the figure on the right. As the HC-10 is not equipped with a fuse, pull out the AC cable before switching the power voltage.



Remove the terminal stopper with a small screw driver and pull out the lead wire (reinstall in the reverse order).



SCHEMATHEEK  
Beh. T. Hultermans  
Postbus 4228  
5604 EE Eindhoven

## SPECIFICATIONS

Voltage Requirements ... 100V AC

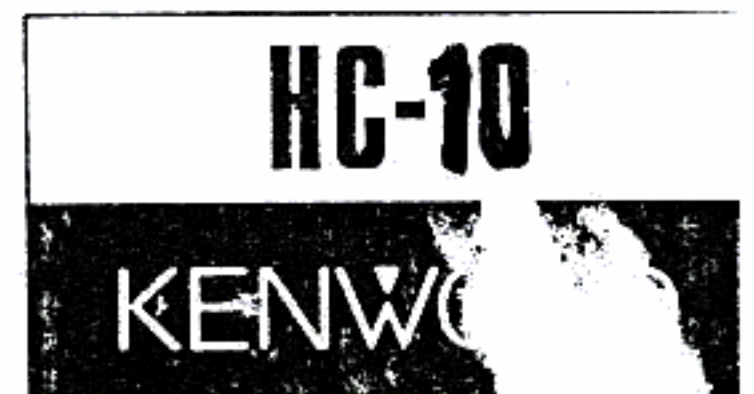
Frequency ... 50Hz, 60Hz common use

Power Consumption ... 5W

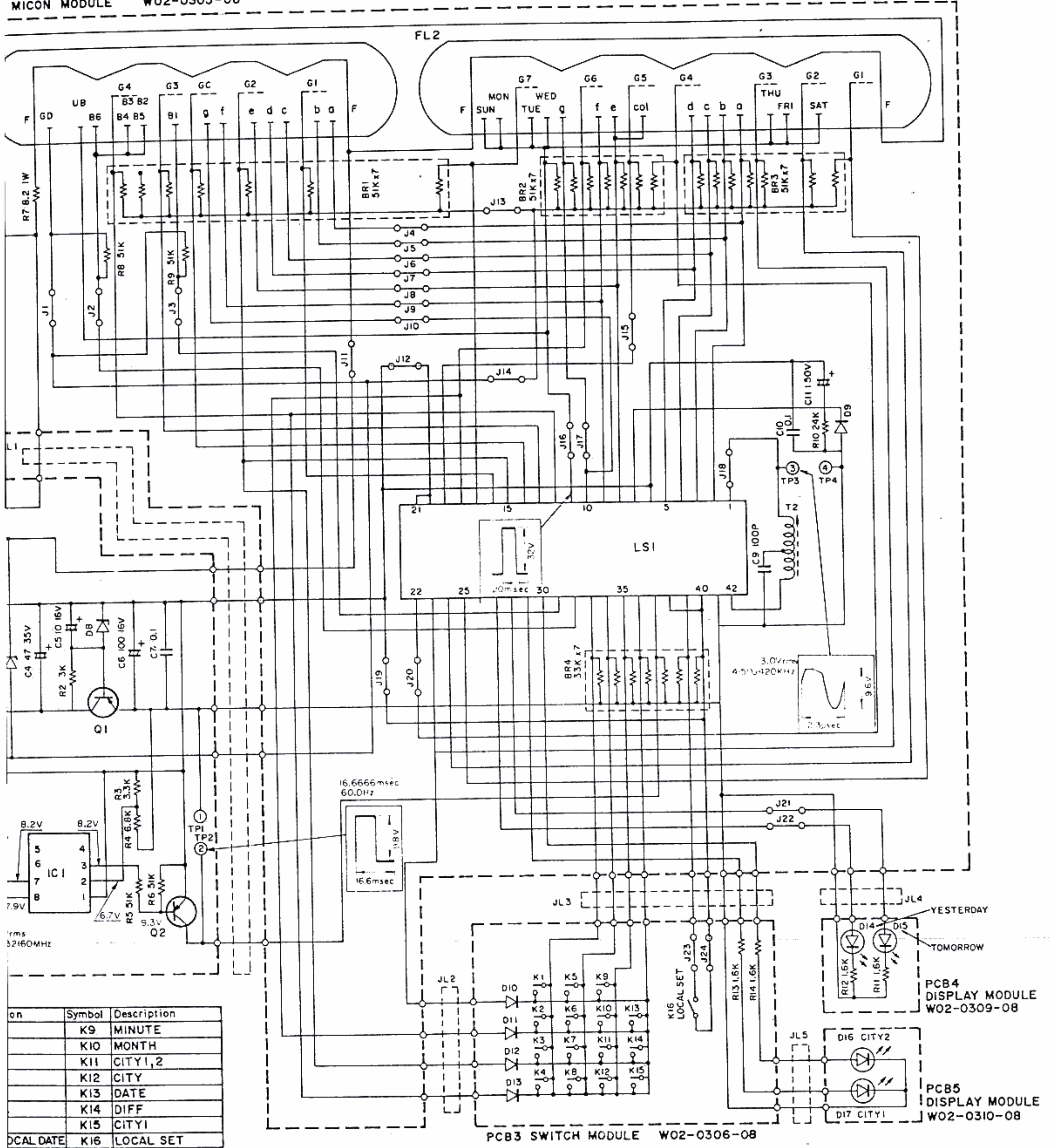
Time Accuracy ... ± 15 seconds max. per month (room temp. 25°C)

Dimensions ... 216 wide (8-1/2")  
× 97 high (3-13/16")  
× 118 deep (4-5/8")

Weight ... 1kg



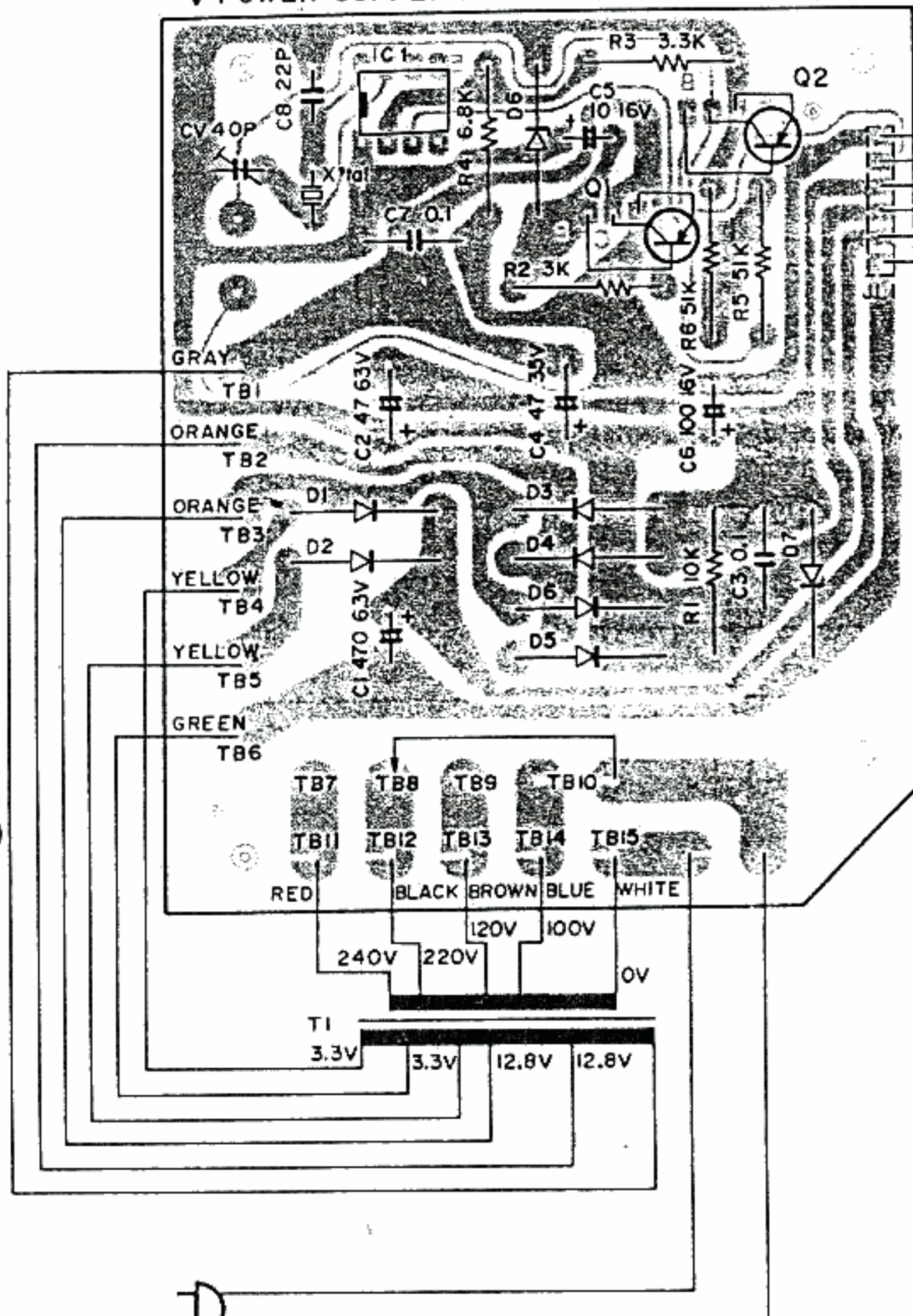




SCHEMATHEEK  
 Beh. T. Hultermans  
 Postbus 4228  
 5604 EE Eindhoven



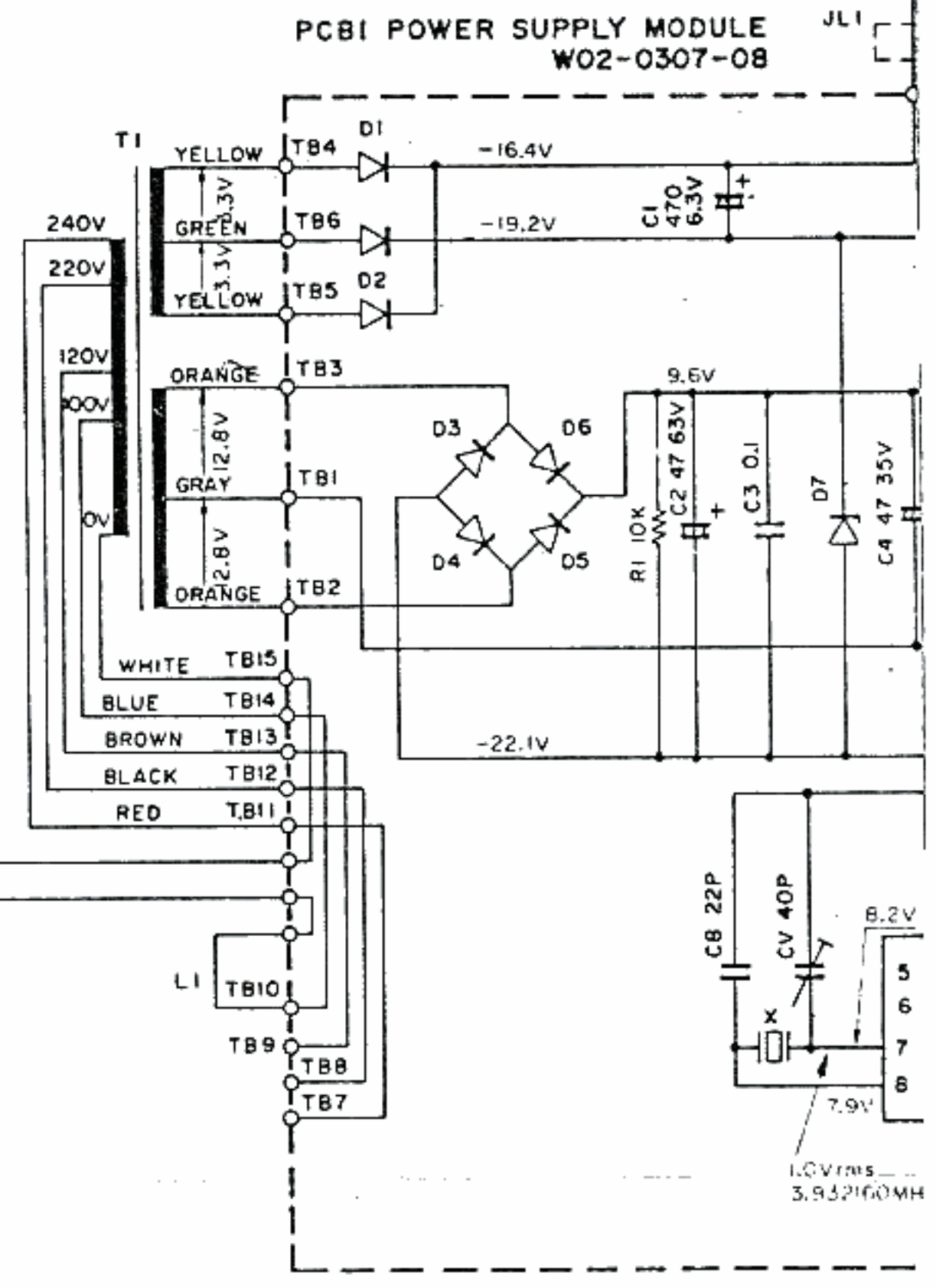
**(COMPONENT SIDE VIEW)**  
**▼ POWER SUPPLY MODULE (W02-0307-08)**



D1-D6,9	S5277D	LS1	μPD553C 032
D10-D13	ISS54	IC1	SM5501A
D7	RD3.9EB	FL1	4-MT-03
D8	RD11EB	FL2	6-LT-43
D14,D15	SLP-131B	Q1	2SA634
D16,D17	SLP-141B	Q2	2SA733

AC 50/60Hz

AC 50/60Hz



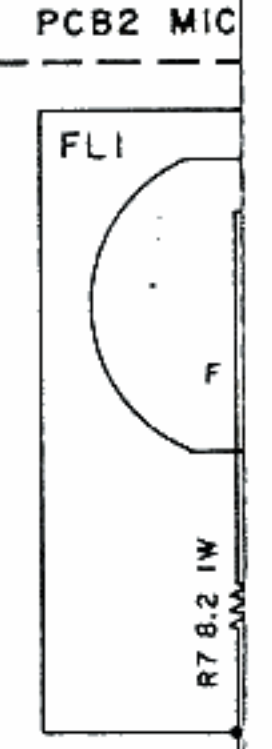
**4-MT-03**

Pins No.	1	2	3	4	5	6	7	8	9	10	11	12	13	14	15	16	17	18	19	20	21	22	23	24	25
Electrodes	F	GD	NC	G4	UB	B6	G4	B2	B3	G3	B1	NP	NP	Gc	g	f	G2	e	d	c	G1	b	a	NP	F
								B4								cd1		cd2							
								B5																	

**6-LT-43**

Pins No.	1	2	3	4	5	6	7	8	9	10	11	12	13	14	15	16
Electrodes	F	Nc	SUN	MON	G7	TUE	WED	Nc	g	G6	f	e	G5	col	Dp	G4
Pins No.	17	18	19	20	21	22	23	24	25	26	27	28	29	30	31	32
Electrodes	d	c	b	a	G3	Nc	THU	FRI	G2	SAT	Nc	o	G1	Np	F	

Symbol	Description
K1	DAY
K2	MEMO
K3	CITY2
K4	SECOND
K5	HOUR
K6	RECALL
K7	LOCAL
K8	START/LOCAL DV



JL1



