

# KENWOOD

## **Document Copyrights**

Copyright 2006 by Kenwood Corporation. All rights reserved.

No part of this manual may be reproduced, translated, distributed, or transmitted in any form or by any means, electronic, mechanical, photocopying, recording, or otherwise, for any purpose without the prior written permission of Kenwood.

## **Disclaimer**

While every precaution has been taken in the preparation of this manual, Kenwood assumes no responsibility for errors or omissions. Neither is any liability assumed for damages resulting from the use of the information contained herein. Kenwood reserves the right to make changes to any products herein at any time for improvement purposes.

MICROPHONE

# KMC-27/27A/27B KMC-28/28A

## SERVICE MANUAL

# KENWOOD

© 1999-3 PRINTED IN JAPAN  
B51-8473-00 (N) 926

### KMC-27



### KMC-28



### KMC-27A/27B



### KMC-28A



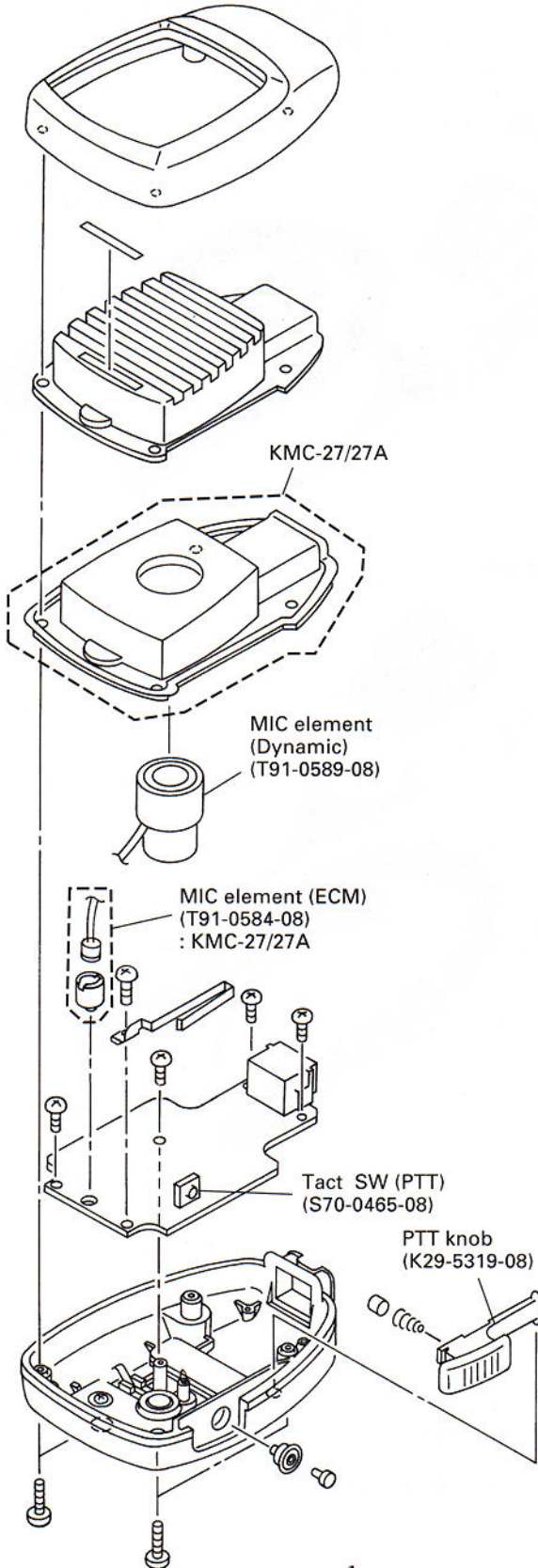
## CONTENTS

EXPLODED VIEW .....	2	FEATURES .....	5
SCHEMATIC DIAGRAM		PARTS LIST .....	5
KMC-27/27A/27B .....	3	SPECIFICATIONS .....	5
KMC-28/28A .....	4		

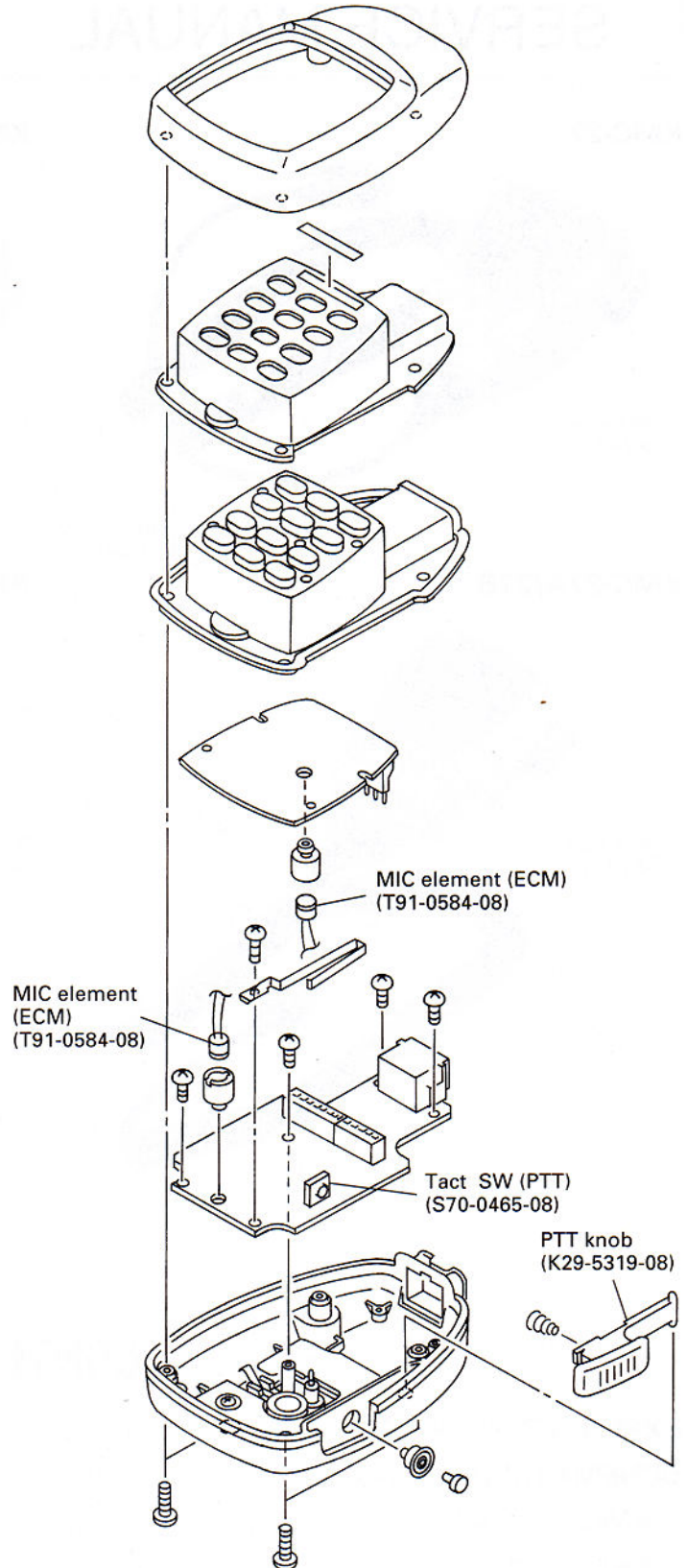
# KMC-27/27A/27B/28/28A

## EXPLODED VIEW

### KMC-27/27A/27B



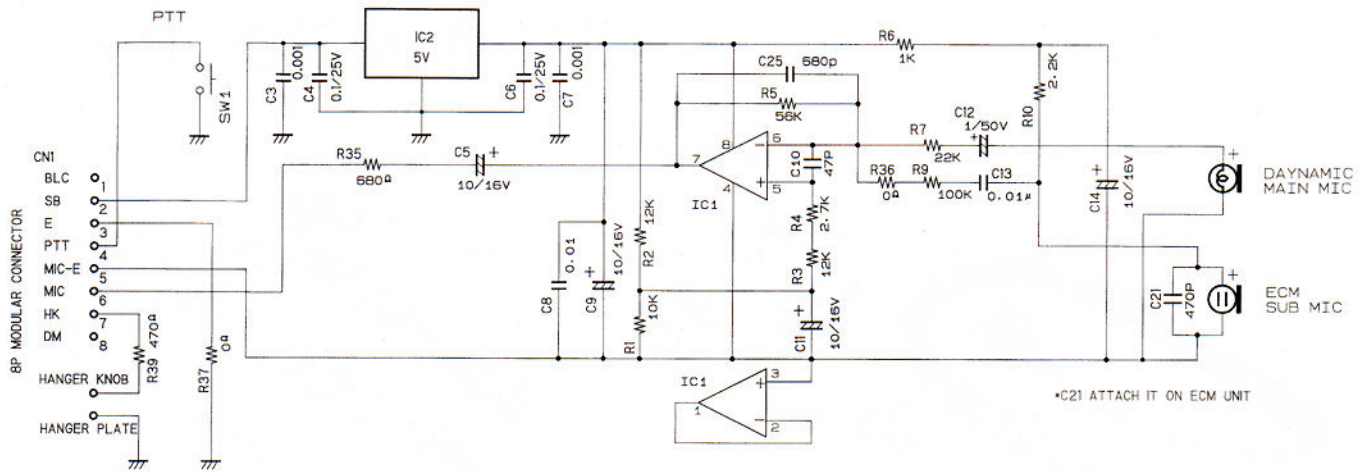
### KMC-28/28A



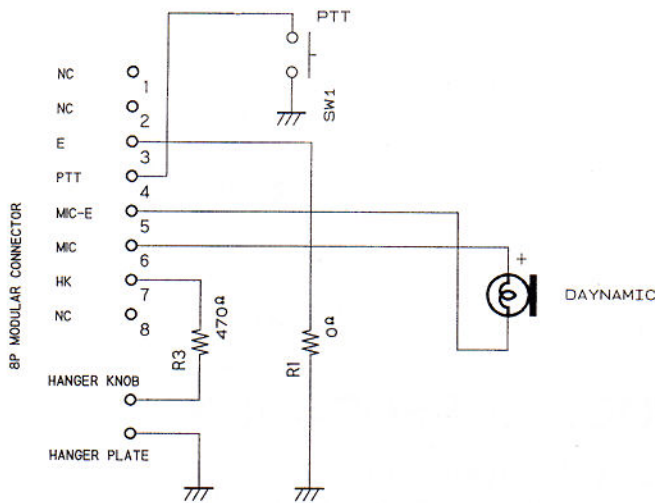


## SCHEMATIC DIAGRAM

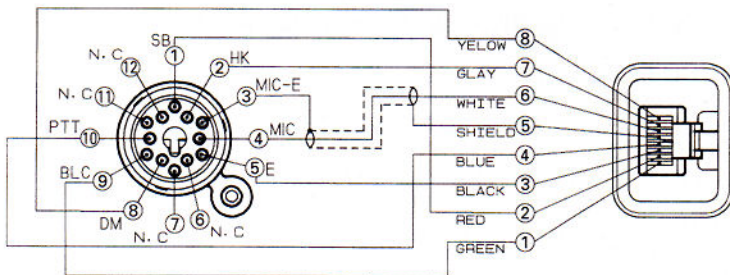
### KMC-27/27A



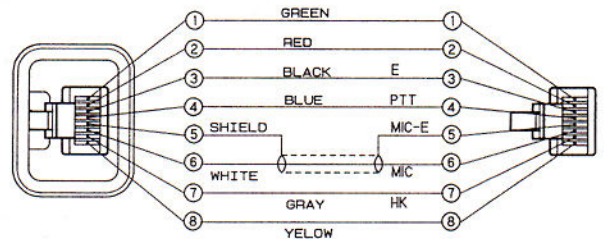
### KMC-27B



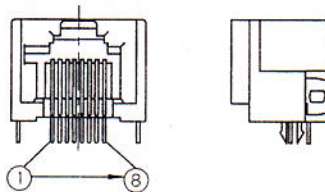
### KMC-27



### KMC-27A/27B



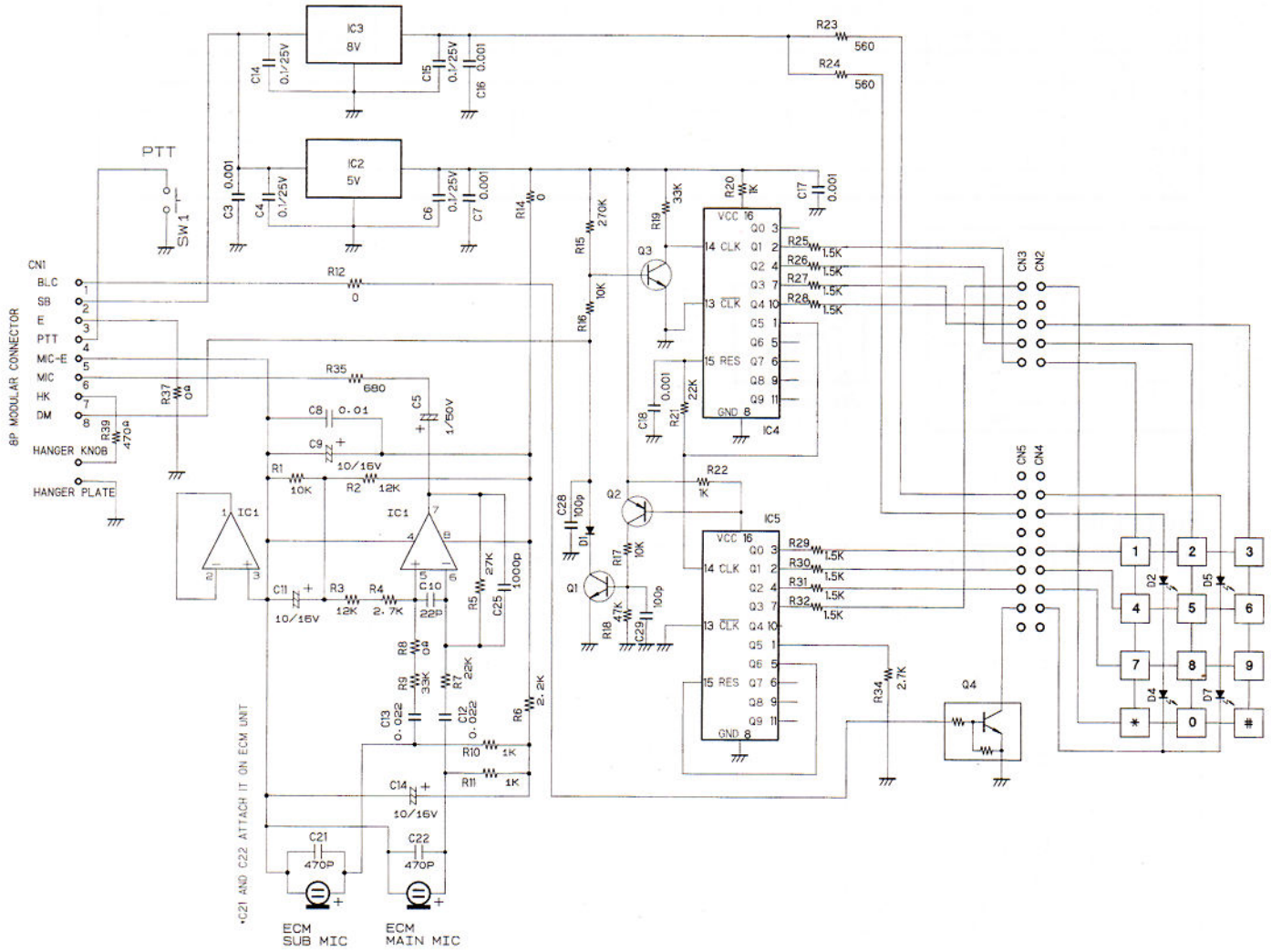
8P MODULAR CONNECTOR PIN NO.



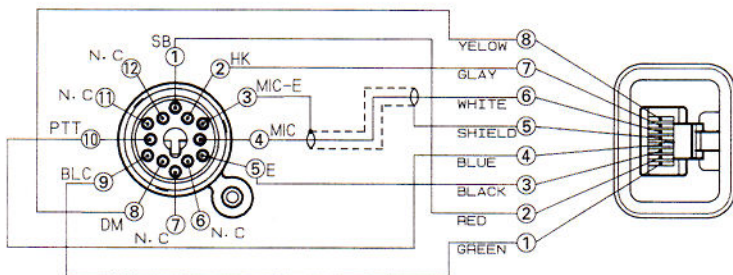
# KMC-27/27A/27B/28/28A

## SCHEMATIC DIAGRAM

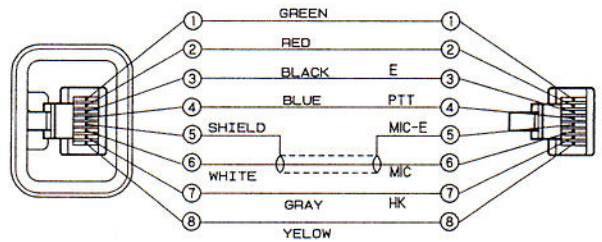
### KMC-28/28A



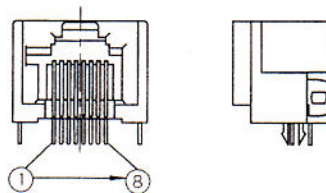
### KMC-28



### KMC-28A



BP MODULAR CONNECTOR PIN NO.



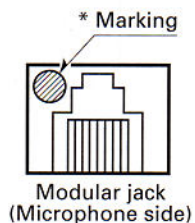
# KMC-27/27A/27B/28/28A

## FEATURES / PARTS LIST / SPECIFICATIONS

### Features

Model	Universal (12 pins)	Modular (8 pins)	Hook SW	Noise canceling	12 keys (DTMF)	Backlit keyboard	Blowing rain
KMC-27	○	—	○	○	—	—	○
KMC-27A	—	○	○	○	—	—	○
KMC-27B	—	○	○	—	—	—	—
KMC-28	○	—	○	○	○	○	○
KMC-28A	—	○	○	○	○	○	○

Model	* Color Marking
KMC-27	Red
KMC-27A	Red
KMC-27B	Black
KMC-28	Red
KMC-28A	Red



### Parts List

Ref. No.	New parts	Parts No.	Description	Model name
	*	E30-3313-08	MIC cable (12P-8P)	KMC-27/28
	*	E30-3360-08	MIC cable (8P-8P)	KMC-27A/27B
	*	E30-3360-08	MIC cable (8P-8P)	KMC-28A
	*	J19-1584-05	Hanger set	
	*	K29-5319-08	PTT knob	
	*	S70-0465-08	Tact SW (PTT)	
	*	T91-0584-08	MIC element (ECM)	KMC-27/27A
	*	T91-0584-08	MIC element (ECM)	KMC-28/28A
	*	T91-0587-05	MIC and MIC cable	KMC-27
	*	T91-0589-08	MIC element (Dynamic)	KMC-27/27A/27B
	*	T91-0597-05	MIC and MIC cable	KMC-27B

### Specifications

Impedance ..... 600Ω±30% (at 1kHz)  
 Sensitivity ..... -70dB±4dB (at 1kHz)  
 Voltage required ..... 13.8V±20%  
 Current drain ..... Less than 5mA (KMC-27/27A), Less than 20mA (KMC-28/28A)  
 Operating temperature range ..... -30°C to +60°C



## **KENWOOD CORPORATION**

14-6, Dogenzaka 1-chome, Shibuya-ku, Tokyo 150-8501, Japan

### **KENWOOD SERVICE CORPORATION**

P.O. BOX 22745, 2201 East Dominguez Street, Long Beach, CA 90801-5745, U.S.A.

### **KENWOOD ELECTRONICS LATIN AMERICA S.A.**

P.O. BOX 55-2791 Piso 6 Plaza Chase Cl. 47 y Aquilino de la Guardia Panama, Republic of Panama

### **KENWOOD ELECTRONICS CANADA INC.**

6070 Kestrel Road, Mississauga, Ontario, Canada L5T 1S8

### **KENWOOD ELECTRONICS DEUTSCHLAND GMBH**

Rembrücker Str. 15, 63150 Heusenstamm, Germany

### **KENWOOD ELECTRONICS BELGIUM N.V.**

Mechelsesteenweg 418 B-1930 Zaventem, Belgium

### **KENWOOD ELECTRONICS FRANCE S.A.**

13, Boulevard Ney, 75018 Paris, France

### **KENWOOD ELECTRONICS U.K. LIMITED**

KENWOOD House, Dwight Road, Watford, Herts., WD1 8EB United Kingdom

### **KENWOOD ELECTRONICS EUROPE B.V.**

Amsterdamseweg 37, 1422 AC Uithoorn, The Netherlands

### **KENWOOD ELECTRONICS ITALIA S.p.A.**

Via G. Sirtori, 7/9 20129 Milano, Italy

### **KENWOOD IBERICA S.A.**

Bolivia, 239-08020 Barcelona, Spain

### **KENWOOD ELECTRONICS AUSTRALIA PTY. LTD.**

(A.C.N. 001 499 074)

P.O. Box 504, 8 Figtree Drive, Australia Centre, Homebush, N.S.W. 2140, Australia

### **KENWOOD & LEE ELECTRONICS, LTD.**

Unit 3712-3724, Level 37, Tower one Metroplaza, 223 Hing Fong Road, Kwai Fong, N.T., Hong Kong

### **KENWOOD ELECTRONICS TECHNOLOGIES(S) PTE LTD.**

Sales Marketing Division

1 Ang Mo Kio Street 63, Singapore 569110