

BASE MICROPHONE

KMC-9/9B/9C

SERVICE MANUAL

KENWOOD

© 1999-4 PRINTED IN JAPAN
B51-8481-00 (N) 1330



Photo is KMC-9.

Contents

Specifications	1
Disassembly for repair	2
Schematic diagram	3
Parts list	4

Specifications

Type	Uni-directional dynamic microphone (Preamplifier built-in)
Output impedance	600Ω ± 30% (at 1kHz)
Sensitivity	-50dB ± 3dB (at 1kHz, 0dB = 1V/μ bar)
Frequency characteristic	300 to 3000Hz (±6dB)
Power requirements	13.8V DC (Supplied from the radio)
Dimensions (W x H x D)	70 x 162 x 150 mm (2-3/4 x 6-3/8 x 5-29/32 inch)
Weight.....	550g (1.2 lbs)

KMC-9/9B/9C

DISASSEMBLY FOR REPAIR

• Chassis removal

1. Remove the four rubber feet (①).
2. Remove the four screws (②).
3. Remove the chassis (③).
4. Disconnect the 3-pin connector from the microphone amplification unit (④).

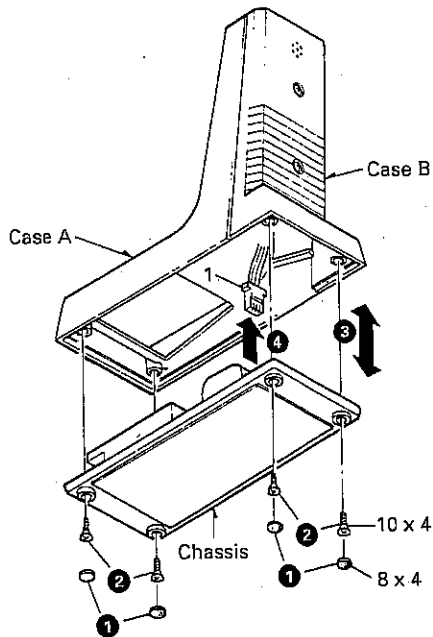


Fig. 1

• Removal of microphone element and microphone amplification unit

5. Remove the two screws holding cases A and B (⑤).
6. Remove case B (⑥).
7. Remove the microphone element and microphone amplification unit (⑦).

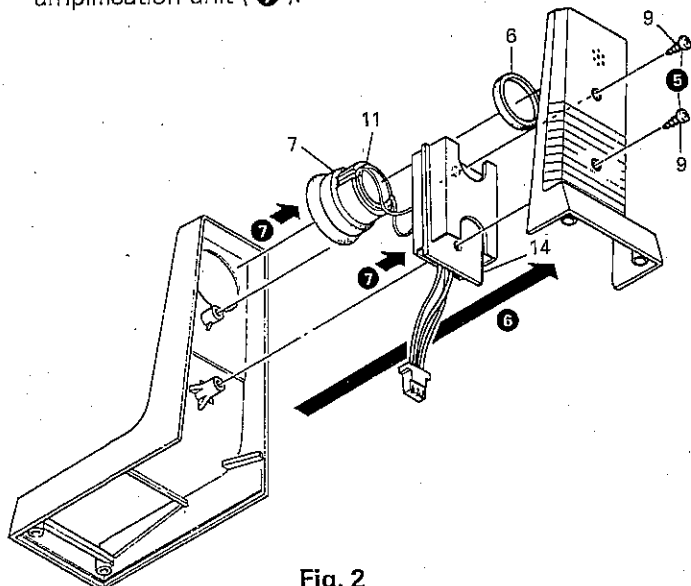


Fig. 2

• Switch unit removal

8. Disconnect the connector (⑧).
9. Remove the springs (L and R) (⑨).
10. Pull out the shaft (⑩).
11. Remove spring A and slider (⑪).
12. Remove the switch unit while pressing the two claws holding the switch unit in the direction of the arrow (⑫).

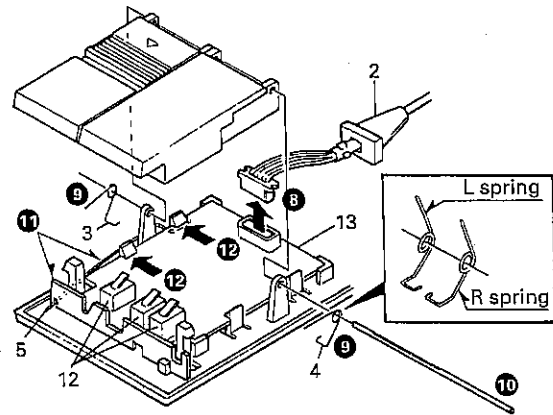


Fig. 3

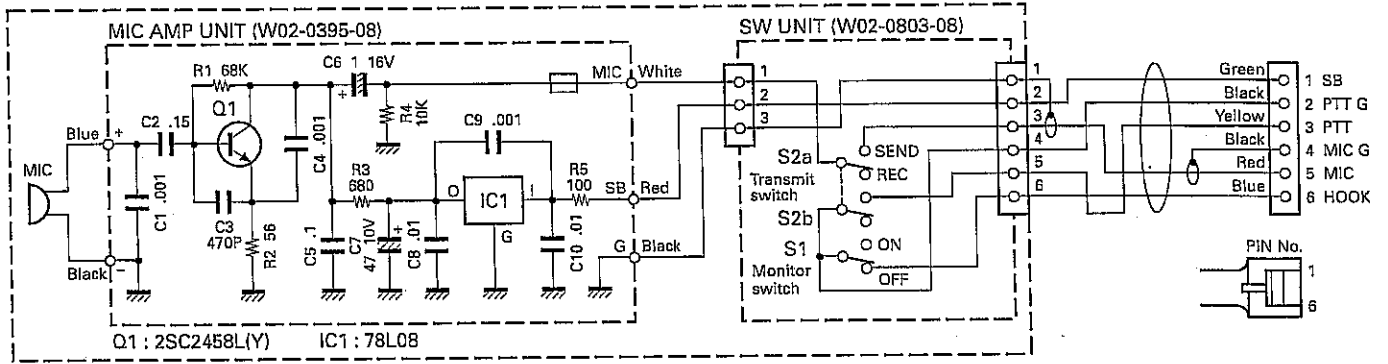
• Removing microphone plug

To remove the microphone plug (module) from the Main unit or from the microphone, grasp the rubber cap from top to bottom to unlock it, then pull it out.

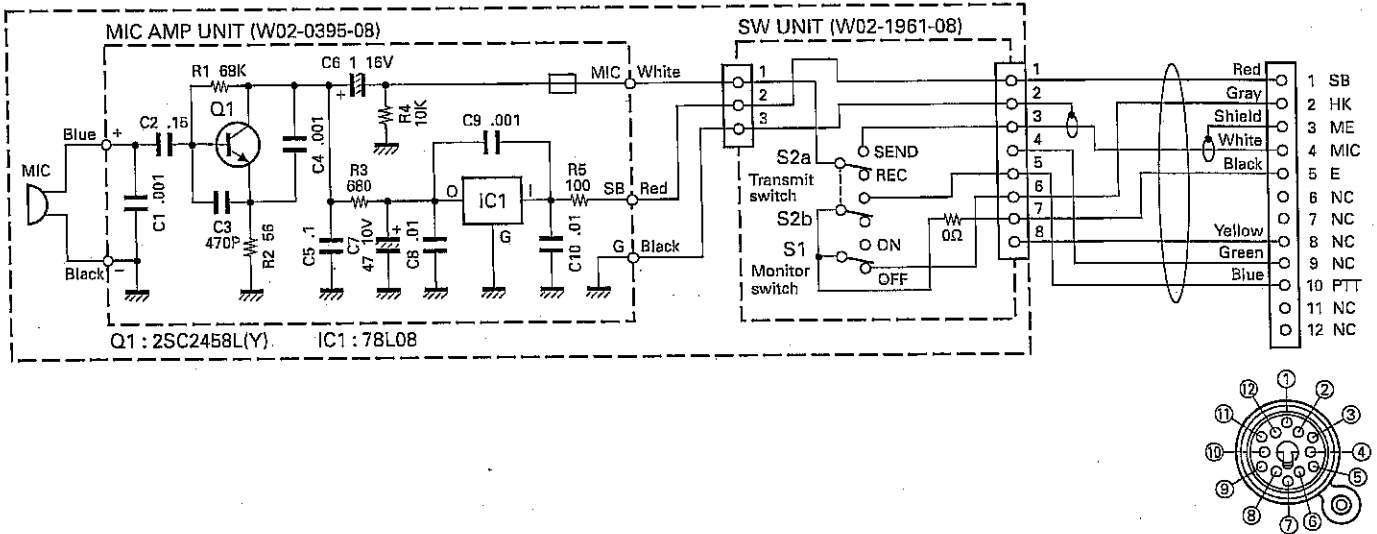
KMC-9/9B/9C

SCHEMATIC DIAGRAM

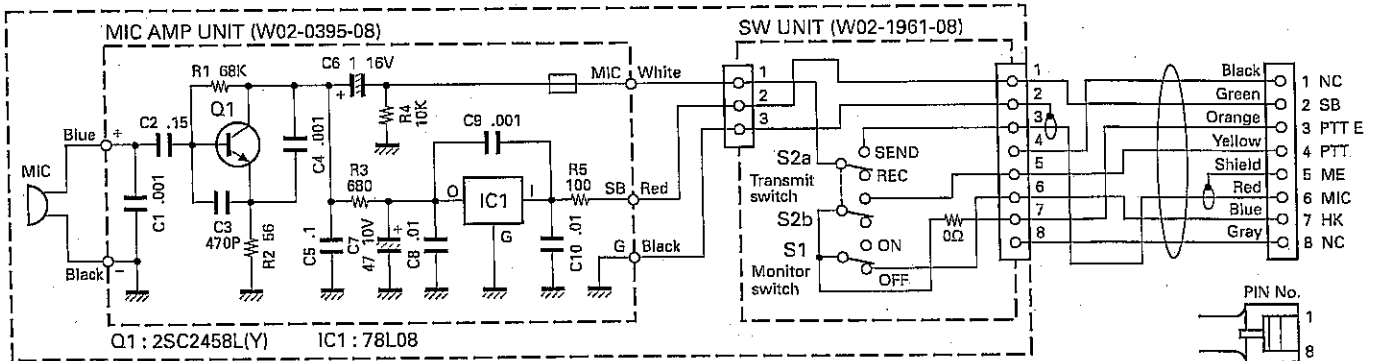
KMC-9



KMC-9B



KMC-9C

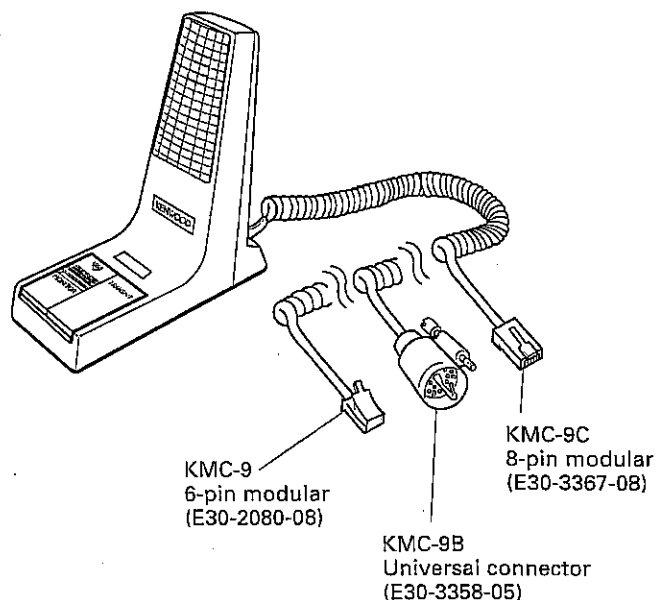


KMC-9/9B/9C

PARTS LIST

* : New parts

Ref. No.	New parts	Parts No.	Description
1		E23-0812-08	Crimp terminal
2		E30-2080-08	Curl cord assy KMC-9
2	*	E30-3358-05	Curl cord assy KMC-9B
2	*	E30-3367-08	Curl cord assy KMC-9C
3		G09-0423-08	L spring
4		G09-0424-08	R spring
5		G09-0425-08	Spring A
6		G13-0877-08	Cushion
7		G13-0878-08	Cushion D
8		J02-0448-08	Rubber foot
9		N44-3018-45	Tapping screw
10		N47-3010-46	Tapping screw
11		T91-0368-08	MIC unit
12		S50-1430-08	Micro switch
13		W02-0803-08	SW unit KMC-9
13	*	W02-1961-08	SW unit KMC-9B/9C
14		W02-0395-08	MIC AMP unit



KENWOOD CORPORATION

14-6, Dogenzaka 1-chome, Shibuya-ku, Tokyo 150-8501, Japan

KENWOOD SERVICE CORPORATION

P.O. BOX 22745, 2201 East Dominguez Street, Long Beach, CA 90801-5745, U.S.A.

KENWOOD ELECTRONICS LATIN AMERICA S.A.

P.O. BOX 55-2791 Piso 6 Plaza Chase Cl. 47 y Aquilino de la Guardia Panama, Republic of Panama

KENWOOD ELECTRONICS CANADA INC.

6070 Kestrel Road, Mississauga, Ontario, Canada L5T 1S8

KENWOOD ELECTRONICS DEUTSCHLAND GMBH

Rembrücker Str. 15, 63150 Heusenstamm, Germany

KENWOOD ELECTRONICS BELGIUM N.V.

Mechelsesteenweg 418 B-1930 Zaventem, Belgium

KENWOOD ELECTRONICS FRANCE S.A.

13, Boulevard Ney, 75018 Paris, France

KENWOOD ELECTRONICS U.K. LIMITED

KENWOOD House, Dwight Road, Watford, Herts., WD1 8EB United Kingdom

KENWOOD ELECTRONICS EUROPE B.V.

Amsterdamseweg 37, 1422 AC Uithoorn, The Netherlands

KENWOOD ELECTRONICS ITALIA S.p.A.

Via G. Sirtori, 7/9 20129 Milano, Italy

KENWOOD IBERICA S.A.

Bolivia, 239-08020 Barcelona, Spain

KENWOOD ELECTRONICS AUSTRALIA PTY. LTD.

(A.C.N. 001 499 074)

P.O. Box 504, 8 Figtree Drive, Australia Centre, Homebush, N.S.W. 2140, Australia

KENWOOD & LEE ELECTRONICS, LTD.

Unit 3712-3724, Level 37, Tower one Metroplaza, 223 Hing Fong Road, Kwai Fong, N.T., Hong Kong

KENWOOD ELECTRONICS TECHNOLOGIES(S) PTE LTD.

Sales Marketing Division

1 Ang Mo Kio Street 63, Singapore 569110