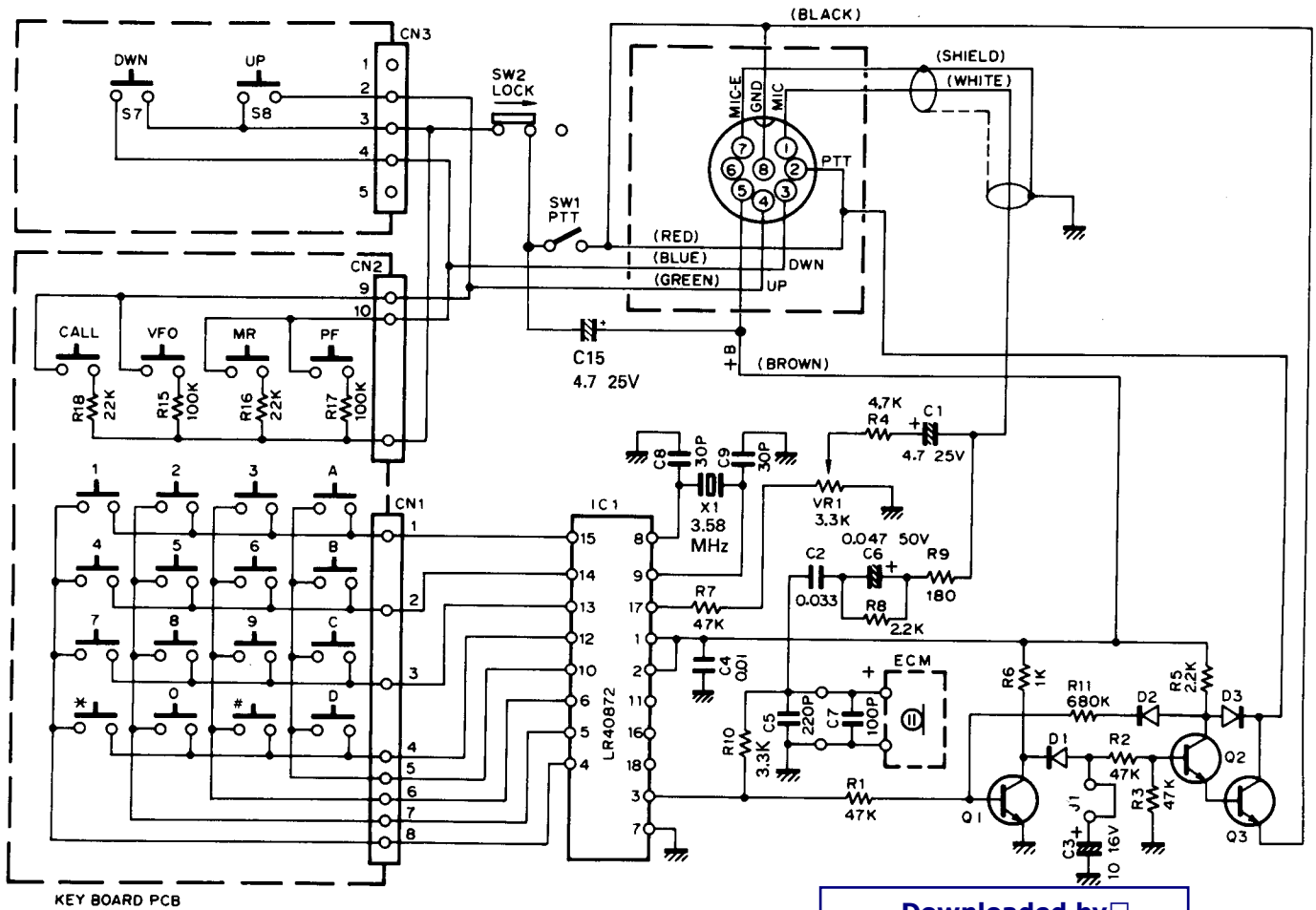


MC-44DM/44DME (MULTI FUNCTION MICROPHONE WITH AUTOPATCH)

TM-241A/E

MC-44DM/MC-44DME SCHEMATIC DIAGRAM



KEY BOARD PCB

Downloaded by
 Amateur Radio Directory

www.hamdirectory.info

MC-44DM/MC-44DME PARTS LIST

Ref. No.	New parts	Parts No.	Description	
		A02-0898-18	Case (Front) DTMF	M
		A02-0899-18	Case (Front) DTMF (With TONE)	W
		A02-0901-08	Case (Rear) DTMF	
		B50-8293-18	Instruction manual	W
		B50-8289-18	Instruction manual	M
		E30-2149-08	Curl cord	
		G13-0933-08	Cushion	
		K29-3165-08	Knob PTT	
		K29-3167-18	Key top DTMF	
		K29-3168-18	Knob UP	
		K29-3169-18	Knob DOWN	
SW2		S31-1422-08	Slide switch LOCK	
SW1		S50-1431-08	Micro switch PTT	
S7, 8		S59-1409-28	Switch UP, DOWN	
		T91-0383-08	Microphone element (Condenser microphone)	