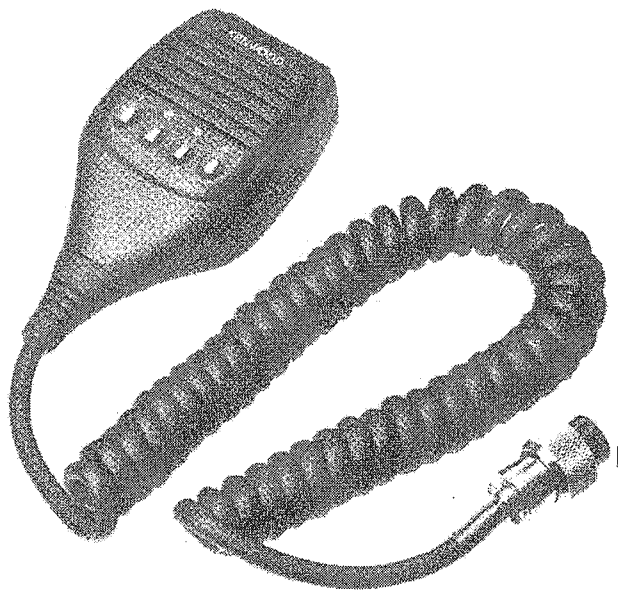


TS-50S

MC-47 (MULTI FUNCTION MICROPHONE)

MC-47 External View



MC-47 Specifications

Electrical characteristics

Impedance $500\Omega \pm 30\%$ (1kHz)

Sensitivity -78dB ($0\text{dB} = 1\text{V}/\mu\text{BAR}$, 1000Hz)

$-71\text{dB} \pm 3\text{dB}$ (1kHz, $0\text{dB} = 1\text{V}/\mu\text{BAR}$)

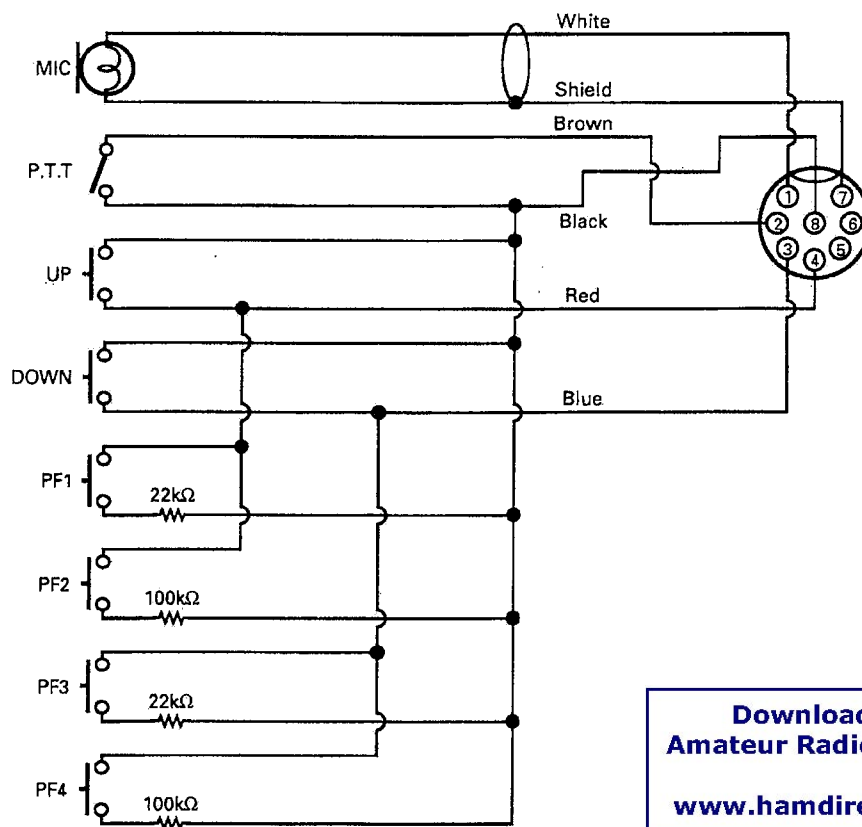
Dimensions 53 W x 81 H x 36 D (mm)

Weight 200g

MC-47 Parts List

Parts No.	New parts	Description
E30-3171-08	*	Curl cord assy
K29-4857-08	*	PF knob
S50-1406-05	*	Tact switch (UP, DOWN)
S70-0427-08	*	Tact switch (RF1~4)
S74-0403-08	*	Micro switch (PTT)
T91-0528-05	*	Microphone assy
T91-0540-08	*	Microphone element

MC-47 Schematic diagram



Downloaded by
Amateur Radio Directory
www.hamdirectory.info