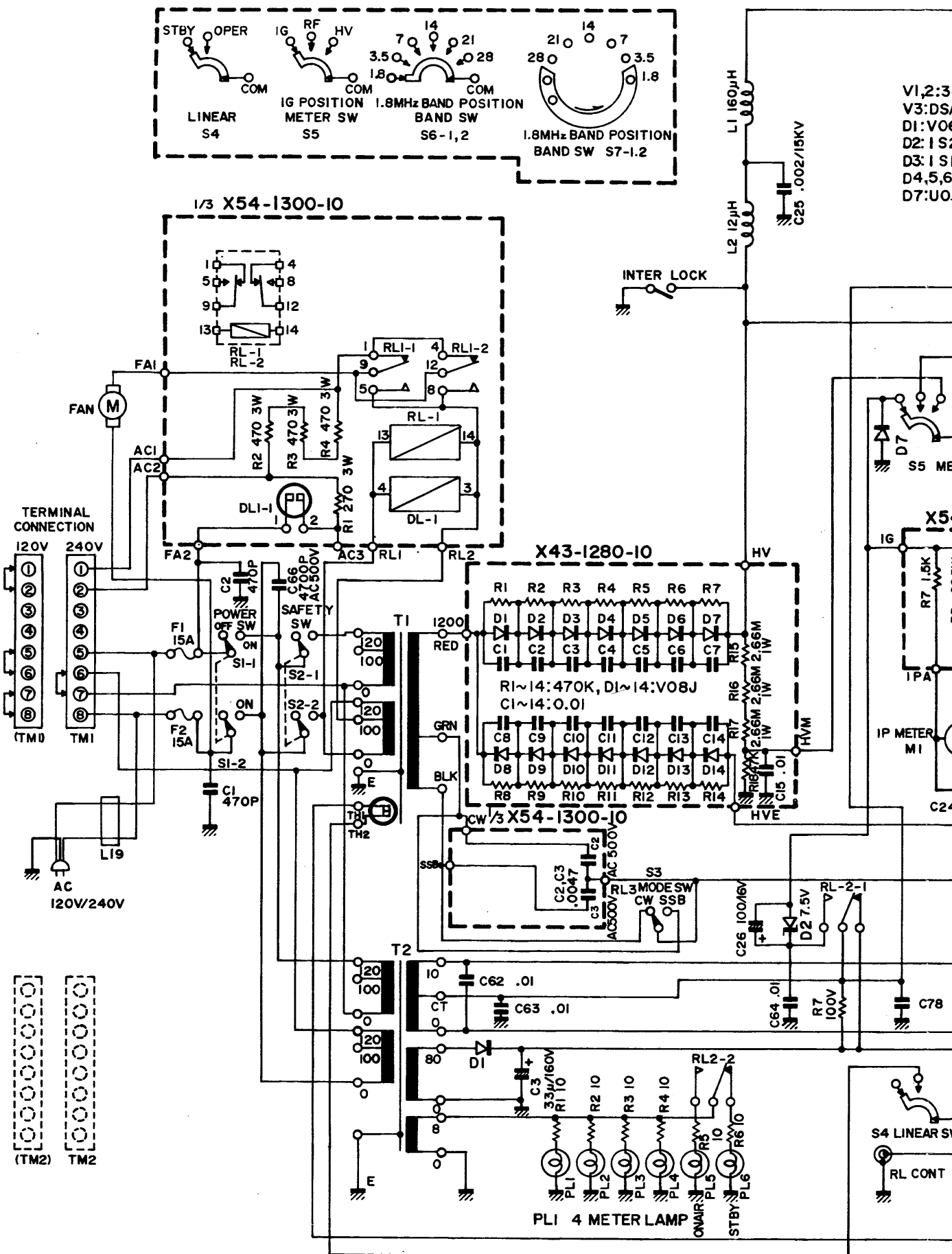
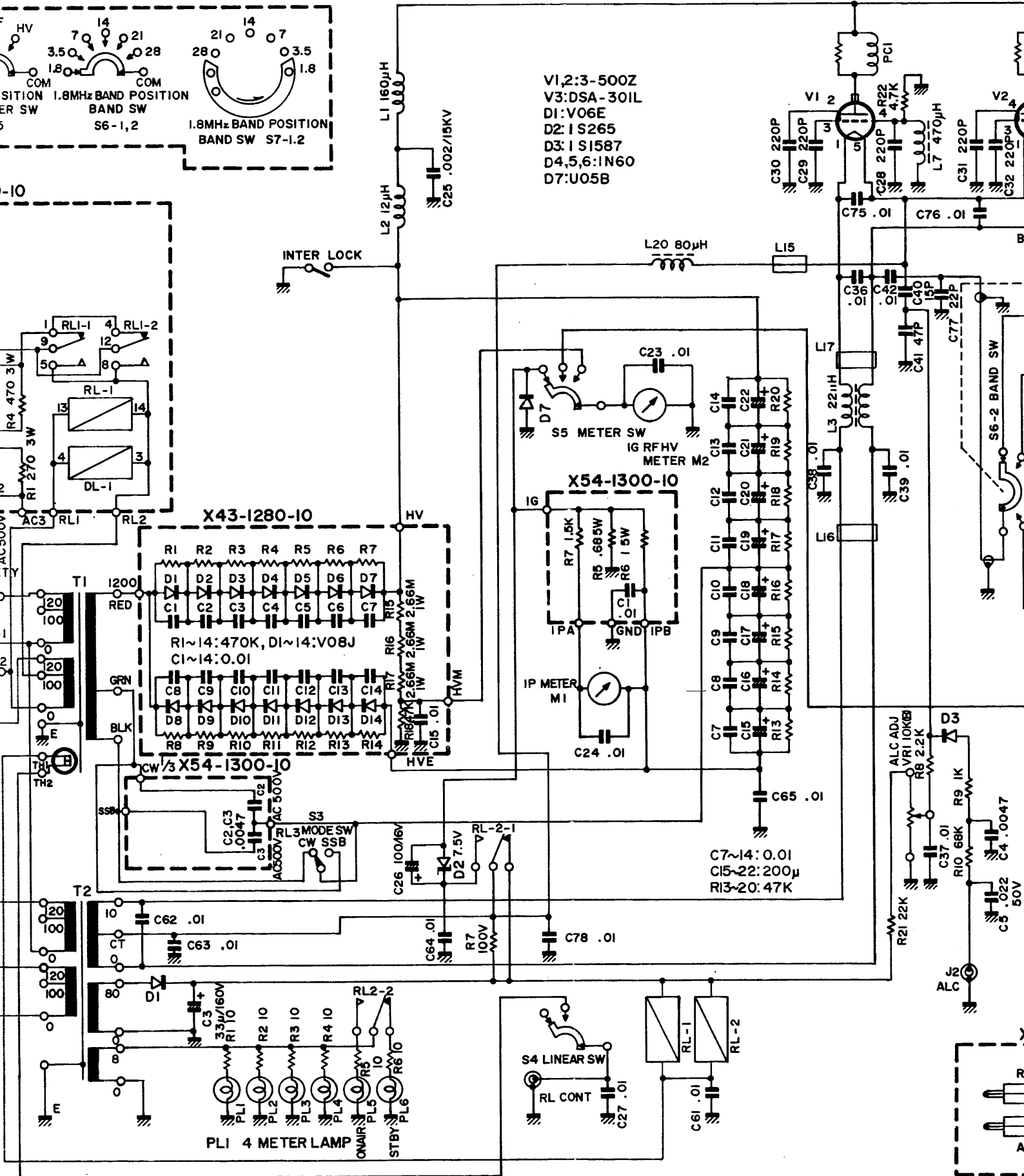


SCHEMATIC



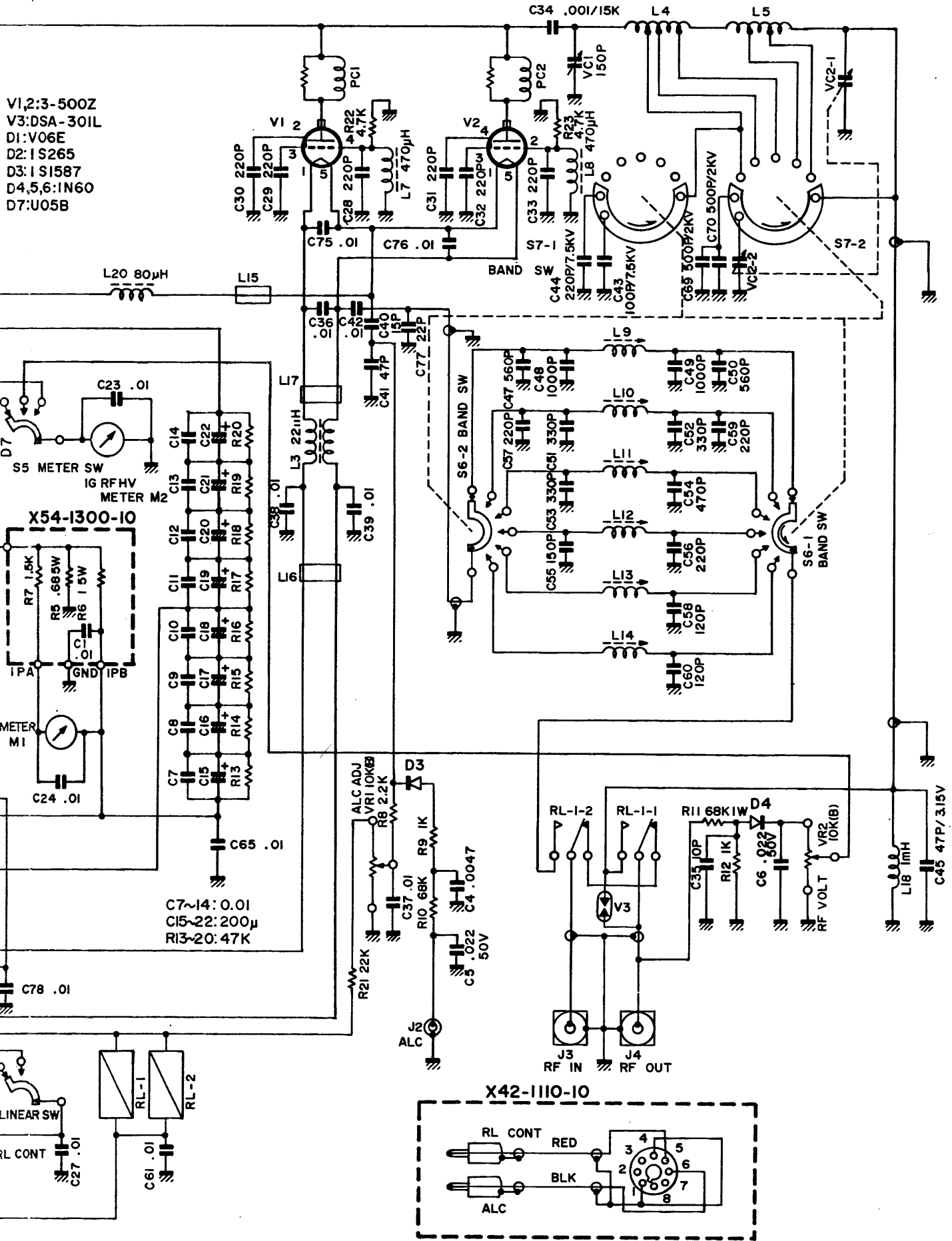
SCHEMATIC DIAGRAM

Circu



CIRCUIT DIAGRAM

Circuits and specifications are subject to change for improvement.



SECTION 15. SCHEMATIC DIAGRAM

Modification for W Type

