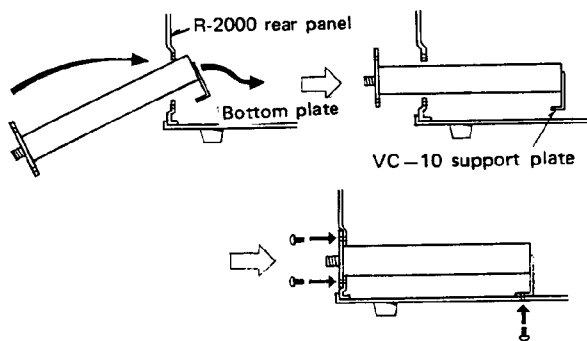
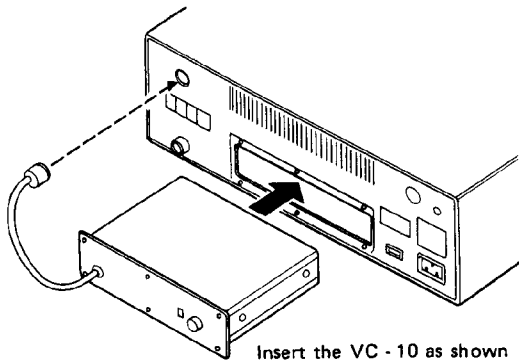


# VC-10

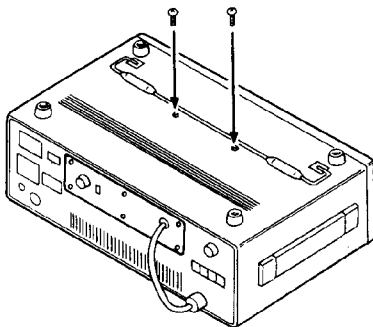
## VHF CONVERTER for the R-2000

### INSTALLATION

1. Remove the plate covering the VC-10 mounting space on the R-2000 rear panel. (6 tapping screws: M3x6)
2. Insert the VC - 10 through the mounting opening as shown.



3. Secure the VC-10 unit on the rear panel with 6 tapping screws previously removed in step 1.
4. Secure the VC-10 support plate on the R-2000 bottom plate with 2 screws (M3x6) supplied with the VC-10 unit.



5. Plug the VC-10 connecting cable into the VHF CONNECTOR jack on the R-2000 rear panel.
6. Connect the telescoping antenna, supplied with the VC-10, to the VHF ANT jack.
7. Place the RF-ATT switch on the VC-10 to 0dB.

### OPERATION

After the VC-10 is installed, VHF band operation is available, and is as simply as HF band operation.

#### Procedure:

1. To operate the VHF band, press the UP switch until the display shows a VHF frequency. The UP and DOWN switches shift the displayed frequency in 1 MHz steps. To switch from VHF to HF operation, press the DOWN switch until the display shows an HF frequency.
2. For VHF band operation, follow instructions described for HF operation.
3. If the desired VHF reception is weak, connect an external VHF antenna to the VHF ANT jack.
4. If a strong signal interferes with reception, place the VC-10 RF-ATT switch to the 10 dB setting.
5. Programmable scan is available in either HF band or the VHF band but not in both bands at the same time.
6. If the letter "E" is indicated on the MEMO display during VHF band operation, check the connection between the R-2000 and the VC-10 converter.

#### Notes:

- 1) During tuning, a digital "click" may be heard. This is normal, and not a malfunction.
- 2) In VHF operation, reception with the following frequencies may be difficult due to internal spurious.  
Frequencies are: 122.200MHz - 122.300MHz  
128.500MHz 147.500MHz  
166.500MHz
- 3) When operating with the supplied telescoping antenna, reception at the low end of the VHF band may be weaker than at the high end of the band.
- 4) If more attenuation is required for VHF reception, the preset 10dB of RF-ATT attenuation can be changed to 20dB. To increase the attenuation, cut the 220 ohm resistor mounted on the RF-ATT switch.

### SPECIFICATIONS

VC-10 characteristics (measured after installation).

Receive frequency range . . . 118 - 174 MHz

#### Receive sensitivity

AM S+N/N=10dB . . . . . Less than or equal to 10 $\mu$ V

SSB/CW S+N/N=10dB . . . . . Less than or equal to 1 $\mu$ V

FM S+N/N=20dB . . . . . Less than or equal to 2 $\mu$ V

12dB SINAD . . . . . Less than or equal to 2 $\mu$ V

#### Open squelch sensitivity

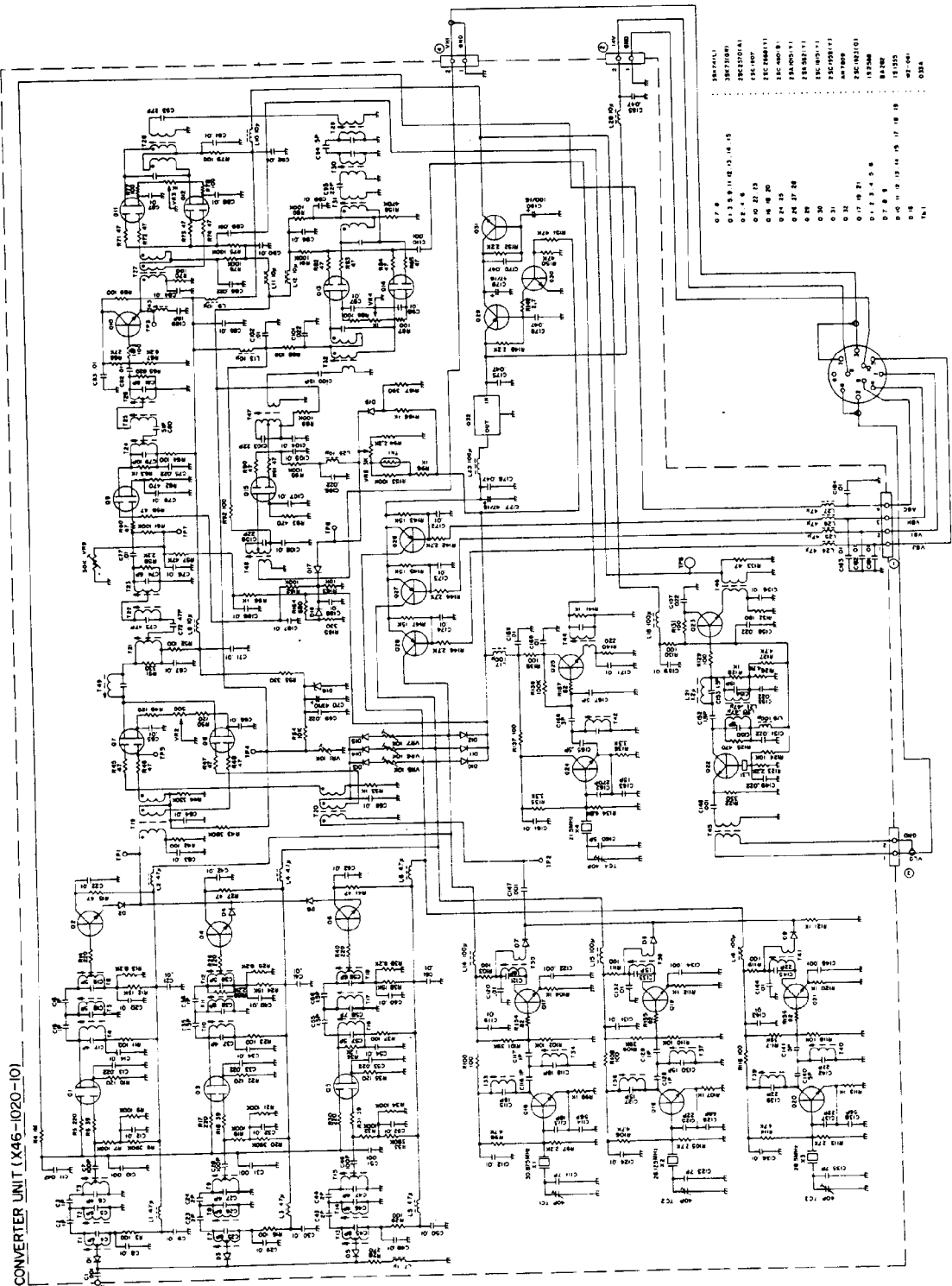
AM, SSB, CW . . . . . Less than or equal to 5 $\mu$ V

FM . . . . . Less than or equal to 1 $\mu$ V

Antenna impedance . . . . . 50 ohms

### ACCESSORIES

Instructional manual . . . . .	B50-4058-00 . . . . .	1
Screws . . . . .	N35-3006-41 . . . . .	2
Telescoping antenna . . . . .	T90-0331-05 . . . . .	1



38P71A1	0.7
38P71B9	0.13 0.11 0.13 0.16 0.15
38P71D1A1	0.1 1.6
38P71D1B	0.0 0.2 0.3
38P71D1C	0.0 0.0 0.0
38P71D1D	0.0 0.0 0.0
38P71D1E	0.0 0.0 0.0
38P71D1F	0.0 0.0 0.0
38P71D1G	0.0 0.0 0.0
38P71D1H	0.0 0.0 0.0
38P71D1I	0.0 0.0 0.0
38P71D1J	0.0 0.0 0.0
38P71D1K	0.0 0.0 0.0
38P71D1L	0.0 0.0 0.0
38P71D1M	0.0 0.0 0.0
38P71D1N	0.0 0.0 0.0
38P71D1O	0.0 0.0 0.0
38P71D1P	0.0 0.0 0.0
38P71D1Q	0.0 0.0 0.0
38P71D1R	0.0 0.0 0.0
38P71D1S	0.0 0.0 0.0
38P71D1T	0.0 0.0 0.0
38P71D1U	0.0 0.0 0.0
38P71D1V	0.0 0.0 0.0
38P71D1W	0.0 0.0 0.0
38P71D1X	0.0 0.0 0.0
38P71D1Y	0.0 0.0 0.0
38P71D1Z	0.0 0.0 0.0

A product of  
**TRIO-KENWOOD CORPORATION**  
 17-5, 2-chome, shibuya, shibuya-ku Tokyo 150, Japan

**TRIO-KENWOOD COMMUNICATIONS**  
 1111 West Walnut Street Compton California 90220 U.S.A.  
**TRIO-KENWOOD COMMUNICATIONS, GmbH**  
 D-6374 Steinbach 1S Industriestrasse 8A West Germany  
**TRIO-KENWOOD ELECTRONICS, N.V.**  
 Leuvensesteenweg 504 B-1530 Zaventem Belgium  
**TRIO-KENWOOD (AUSTRALIA) PTY. LTD.**  
 4E Woodcock Place, Lane Cove N.S.W. 2066, Australia

© 35304 PRINTED IN JAPAN B50-4058-00 (K) (M) (KO)