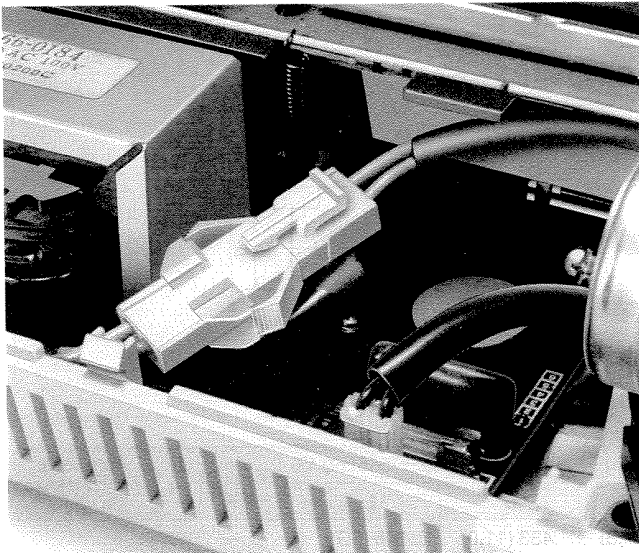




LL CONNECTOR

.244" (6.2mm) pitch disconnectable crimp style wire-to-wire connectors



Having the largest power rating in the L connector series, the 600V, 15A LL connector is suited for circuits requiring large electric capacity, such as air conditioner circuits.

Features

• Durable arm lock mechanism

The arm lock mechanism of the housing has a slit to prevent stress concentration during connection. It is durable and survives repetitive insertions and withdrawals.

• Internal jumper contacts

Two styles of crimp contacts are available for convenient branching or for jumper connections inside equipment.

• Easy insertion and secure installation of contacts

The area surrounding the lance of the contact is cleared so that the contact can be easily inserted into the housing. A lance retraction prevention mechanism is also provided.

• Egg-crate housing construction

All contacts are individually and totally surrounded by housing walls (egg-crate style) to protect the contacts from deformation while being mated. This same construction ensures a large electrical creep distance while the .244" (6.2mm) contact pitch provides safe dielectric spacing. Furthermore, the polarized housing prevents mismatching of the connector.

• Panel locking mechanism

Due to our unique panel lock design, the housing can be easily installed on panels of various thicknesses without using tools.

■ The current rating differs depending on the number of circuits and the wire size used in each connector. The table below lists the current rating as a function of the number of circuits and the wire size.

Current unit: A


Circuits	Wire size (AWG)					
	# 14	# 16	# 18	# 20	# 22	# 24
2	15	10	8	6	4	3
3	14	9	8	6	4	3
4	13	9	7	6	4	3
6	12	8	7	5	3	2
9	10	7	6	5	3	2
12	9	7	5	4	3	2
15	9	7	5	4	3	2

Specifications


- Current rating: 15A AC, DC max.
- Voltage rating: 600V AC, DC
300V when two-wire crimping contacts are used
- Temperature range: -25°C to +90°C
(including temperature rise)
- Contact resistance: Initial value/10mΩ max.
After environmental testing/
15mΩ max.
- Insulation resistance: 1,000MΩ min.
- Withstanding voltage: 2,000V AC/minute
- Applicable wire: AWG # 24 to # 14, 0.2 to 2.0mm²
- Applicable panel thickness: .031" to .063"
(0.8 to 1.6mm)

* Contact JST for details.

Standards

 Recognized file No. E60389

 Certified file No. LR20812

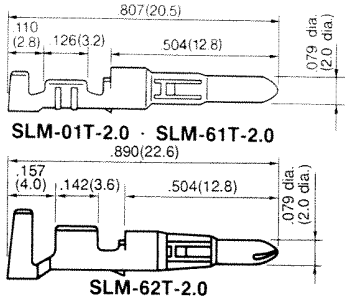
 File No. R75049 (conforms to DIN/VDE 0627)

* Conforms to SEV and CEE

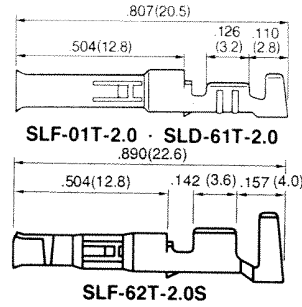


Contact

Pin contact



Socket contact



Model No.		Applicable wire			Material	Finish	Q'ty/reel
Pin contact	Socket contact	mm ²	AWG #	Insulation O.D. in. (mm)			
SLM-01T-2.0	SLF-01T-2.0	0.2 to 0.5	24 to 20	.059 to .106 (1.5 to 2.7)	Brass	Tin-plated	5,000
SLM-61T-2.0	SLF-61T-2.0	0.5 to 2.0	20 to 14	.075 to .134 (1.9 to 3.4)			3,000
*SLM-62T-2.0	*SLF-62T-2.0S	0.5 + 0.5 to 0.75 + 1.25	20 + 20 to 18 + 16	.102 + .102 to (2.6 + 2.6 to 2.8 + 3.1)			2,000

Note:

- Contact JST for special products.
- Contact denoted by * is used for two wires. For further information, contact JST.

Housing

Material: Nylon 6, UL94V-0, white

Cir- cuits	Voltage rating	Current rating	Receptacle housing (for pin contact)		Plug housing (for socket contact)	
			Model No.	Q'ty/ bag	Model No.	Q'ty/ bag
2	600V	15A	LLR-02V LLR-02-VM	500	LLP-02V	500
			LLR-02FV		LLP-02V	



LL CONNECTOR

.244" (6.2mm) pitch disconnectable crimp style wire-to-wire connectors

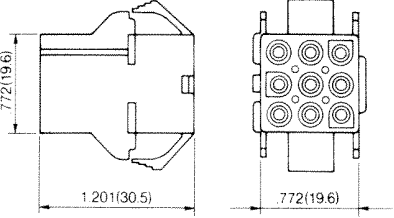
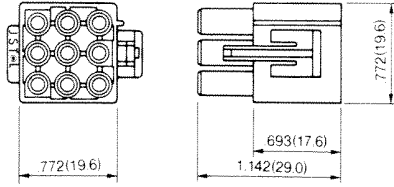
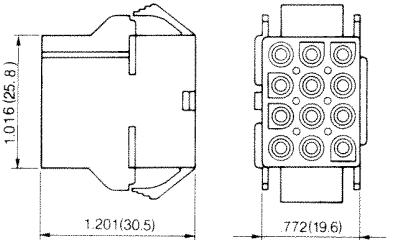
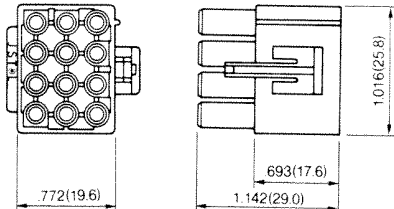
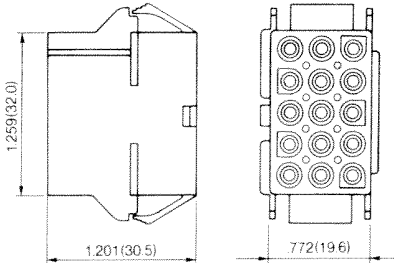
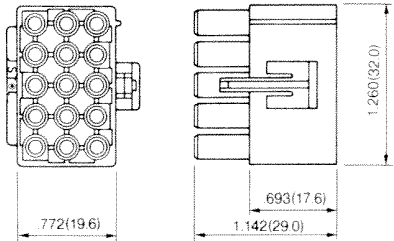
Housing

Material: Nylon 6, UL94V-0, white

Circuits	Voltage rating	Current rating	Receptacle housing (for pin contact)		Plug housing (for socket contact)	
3	600V	14A	LLR-03V	Q'ty/ bag	LLP-03V	Q'ty/ bag
				500		500
4	600V	13A	LLR-04V	Q'ty/ bag	LLP-04V	Q'ty/ bag
				500		500
4	600V	13A	LLR-04-VM	Q'ty/ bag		
				500		
6	600V	12A	LLR-06V	Q'ty/ bag	LLP-06V	Q'ty/ bag
				500		500

Housing

Material: Nylon 6, UL94V-0, white

Circuits	Voltage rating	Current rating	Receptacle housing (for pin contact)		Plug housing (for socket contact)	
9	600V	10A	LLR-09V 	Q'ty/ bag 200	LLP-09V 	Q'ty/ bag 200
12	600V	9A	LLR-12V 	Q'ty/ bag 200	LLP-12V 	Q'ty/ bag 200
15	600V	9A	LLR-15V 	Q'ty/ bag	LLP-15V 	Q'ty/ bag 100

Note:

1. LL connectors with any number of circuits can be either panel mounted or free hanging. The panel hole dimensions are given on the next page.
2. Contact JST for special products.

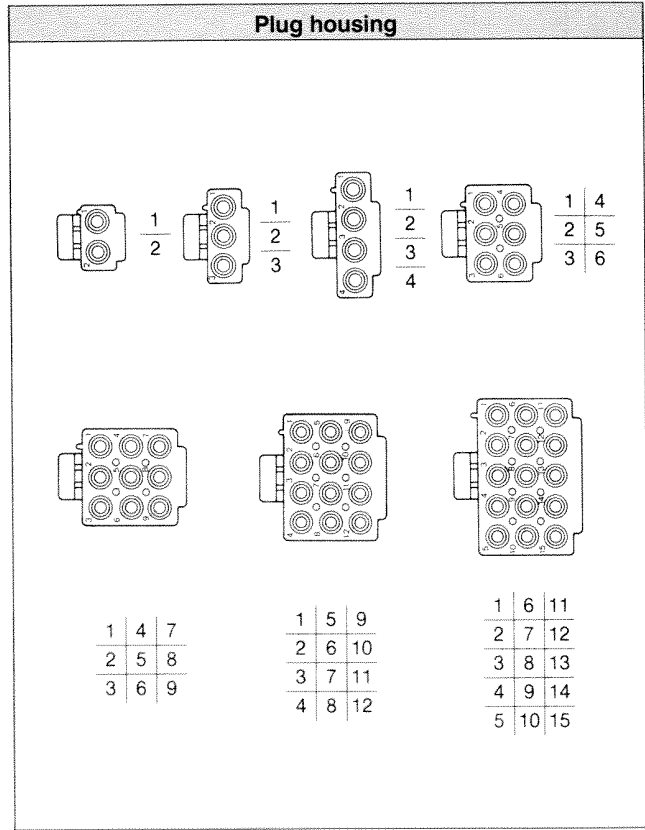
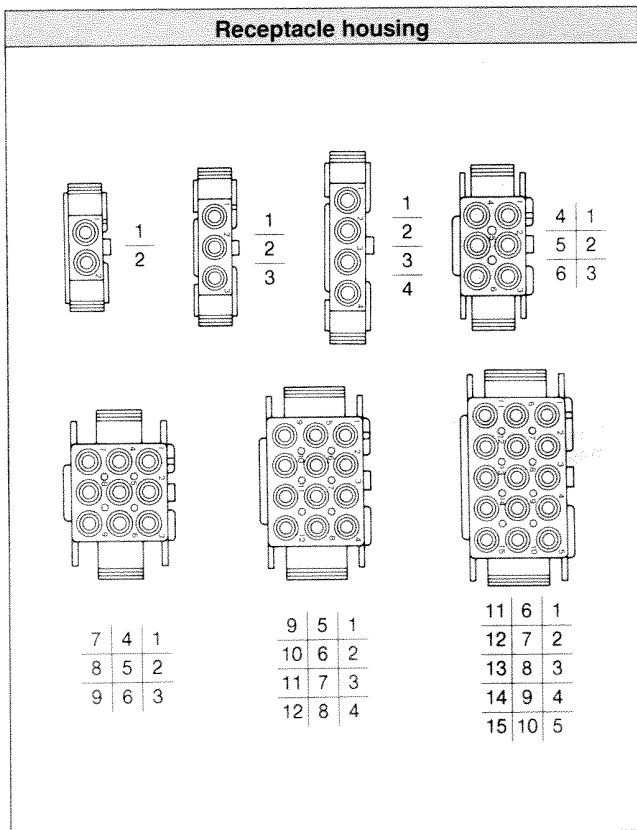
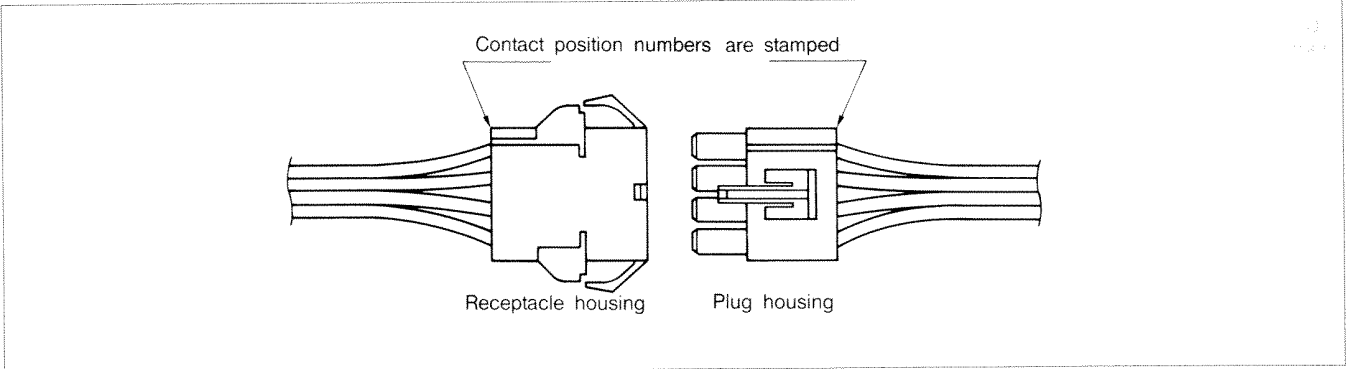
3. The panel installation hole dimensions for the LLR-02(V) are different from for the LLR-02VM, and the hole dimensions for the LLR-04(V) are different from the dimensions for the LLR-04VM. For details, refer to the panelhole dimensions table.



LL CONNECTOR

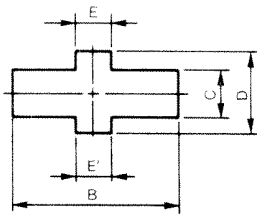
.244" (6.2mm) pitch disconnectable crimp style wire-to-wire connectors

Contact position location numbers

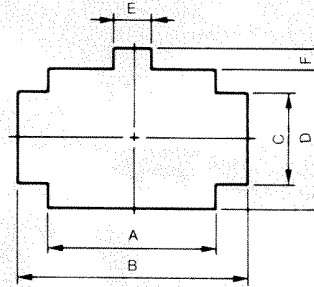


Panel layout

Shape I



Shape II

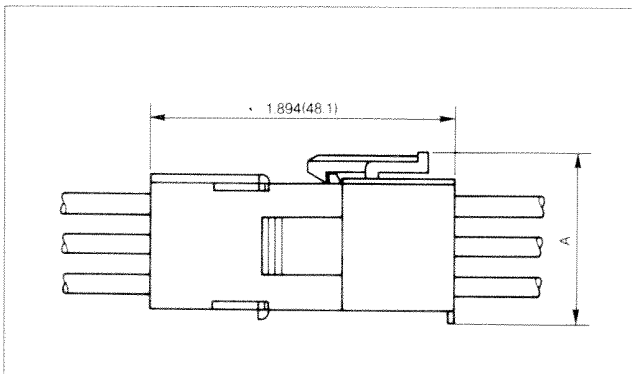


Circuits	Receptacle housing	Applicable hole form	Panel hole dimensions in. (mm) General tolerance $\pm .005(+0.13)$							Applicable panel thickness in. (mm)
			A	B	C	D	E	E'	F	
2	LLR-02V	I	—	.799 (20.3)	.307 (7.8)	.433 (11.0)	.146 (3.7)	.146 (3.7)	—	.031 to .063 (0.8 to 1.6 mm)
	LLR-02-VM	I	—	.799 (20.3)	.307 (7.8)	.433 (11.0)	.146 (3.7)	$.287^{+.008}_0 (7.3^{+.0.2}_0)$	—	
3	LLR-03V	I	—	1.024 (26.0)	.307 (7.8)	.433 (11.0)	.146 (3.7)	.146 (3.7)	—	
4	LLR-04V	I	—	1.272 (32.3)	.307 (7.8)	.433 (11.0)	.146 (3.7)	.146 (3.7)	—	
	LLR-04-VM	I	—	1.272 (32.3)	.307 (7.8)	.433 (11.0)	.146 (3.7)	$.366^{+.008}_0 (9.3^{+.0.2}_0)$	—	
6	LLR-06V	II	.787 (20.0)	1.047 (26.6)	.370 (9.4)	.555 (14.1)	.157 (4.0)	—	.063 (1.6)	
9	LLR-09V	II	.787 (20.0)	1.047 (26.6)	.370 (9.4)	.799 (20.3)	.157 (4.0)	—	.063 (1.6)	
12	LLR-12V	II	1.031 (26.2)	1.299 (33.0)	.504 (12.8)	.799 (20.3)	.157 (4.0)	—	.063 (1.6)	
15	LLR-15V	II	1.276 (32.4)	1.551 (39.4)	.504 (12.8)	.799 (20.3)	.157 (4.0)	—	.063 (1.6)	

- Note:
1. Punch holes in the panel according to the sketch and table shown above. Burrs must be removed.
 2. The strength of the panel must be considered when punching two or more holes.

3. The connector must be inserted from the same side as the hole is punched.

Assembly layout



Circuits	Dimension A in. (mm)
2 to 4	.575 (14.6)
6	.819 (20.8)
9, 12, 15	1.063 (27.0)