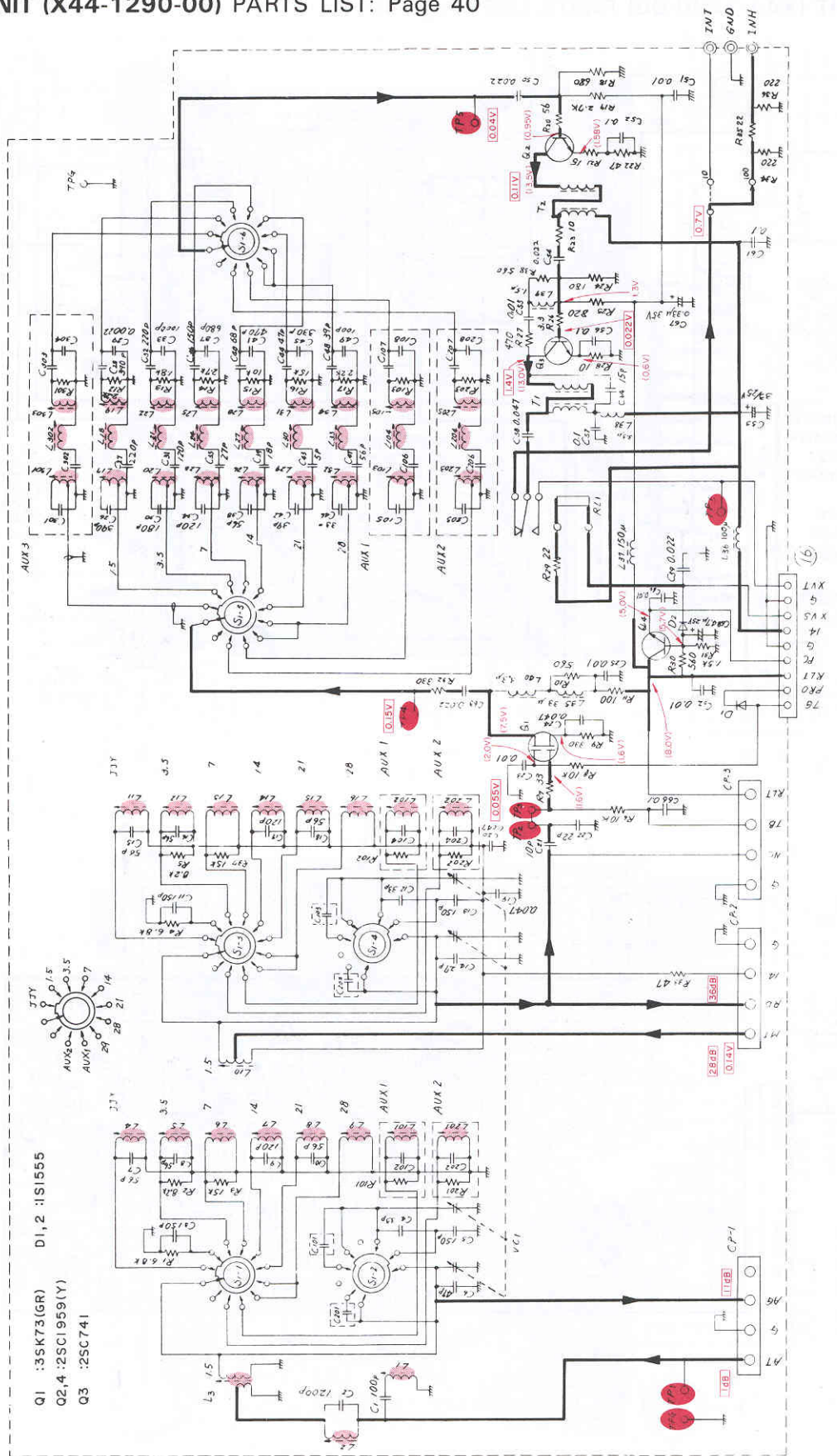


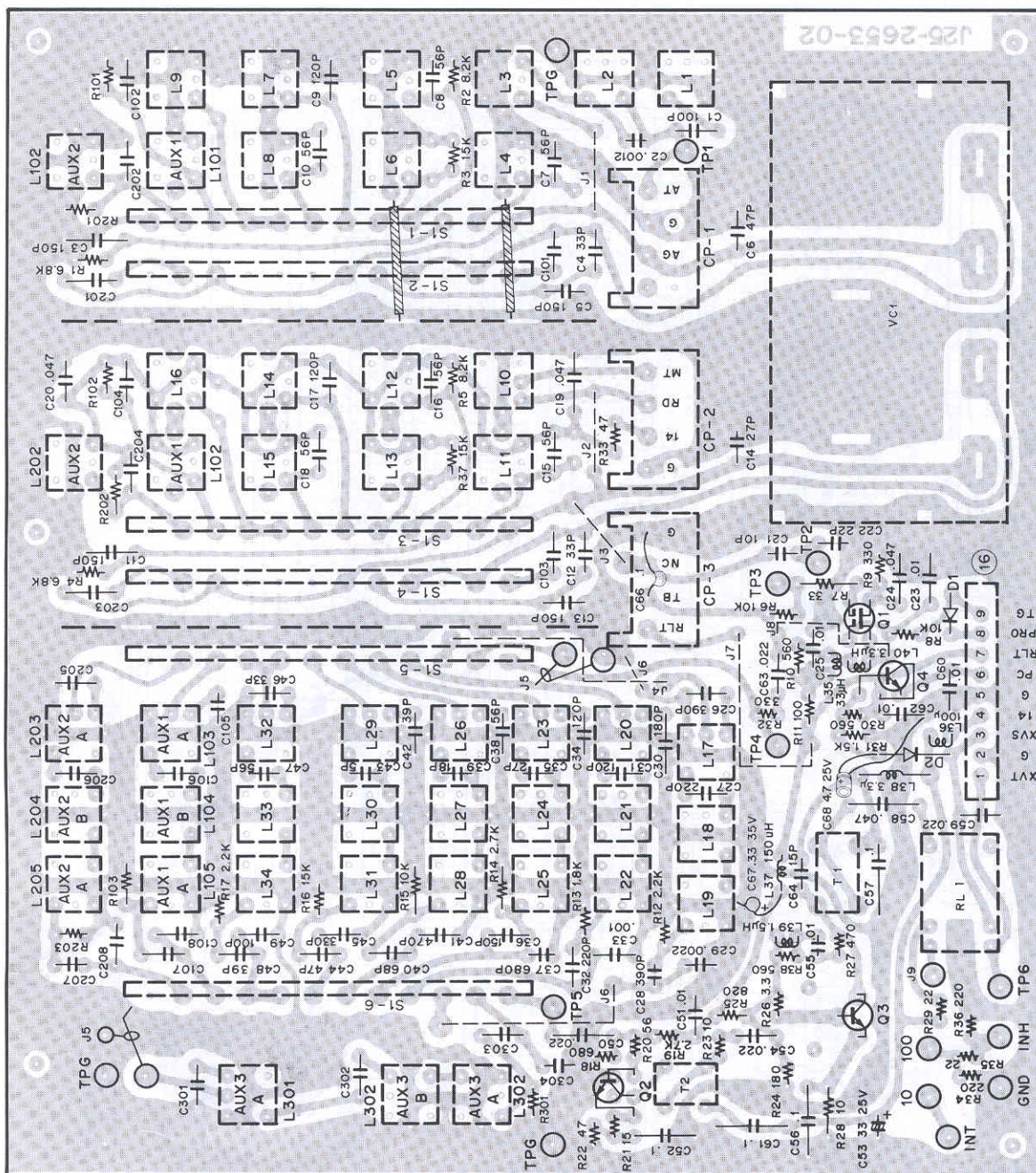
PC BOARD/CIRCUIT DIAGRAM

▼ COILPACK UNIT (X44-1290-00) PARTS LIST: Page 40



PC BOARD/CIRCUIT DIAGRAM

▼ COILPACK UNIT (X44-1290-00)

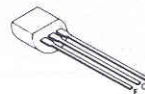


J25-2653-02

3SK73(GR)



2SC1959(Y)

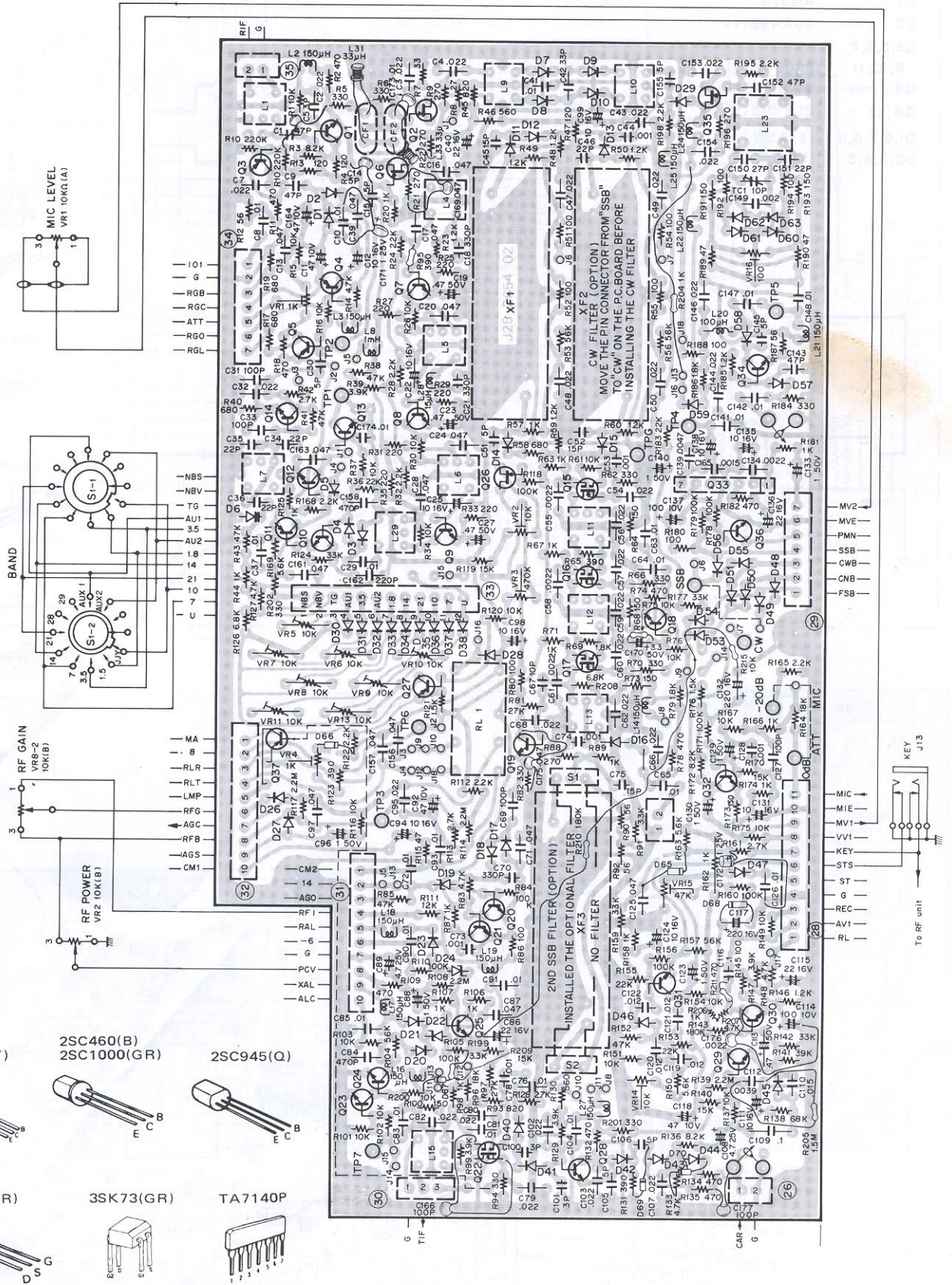


2SC741



PC BOARD/CIRCUIT DIAGRAM

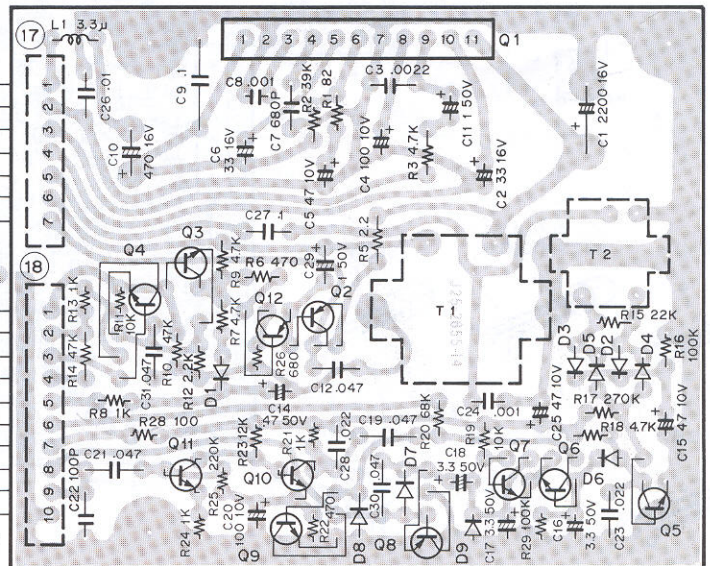
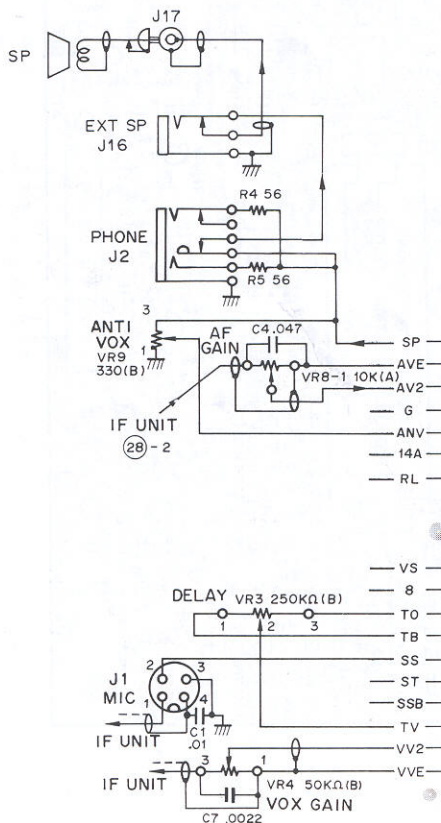
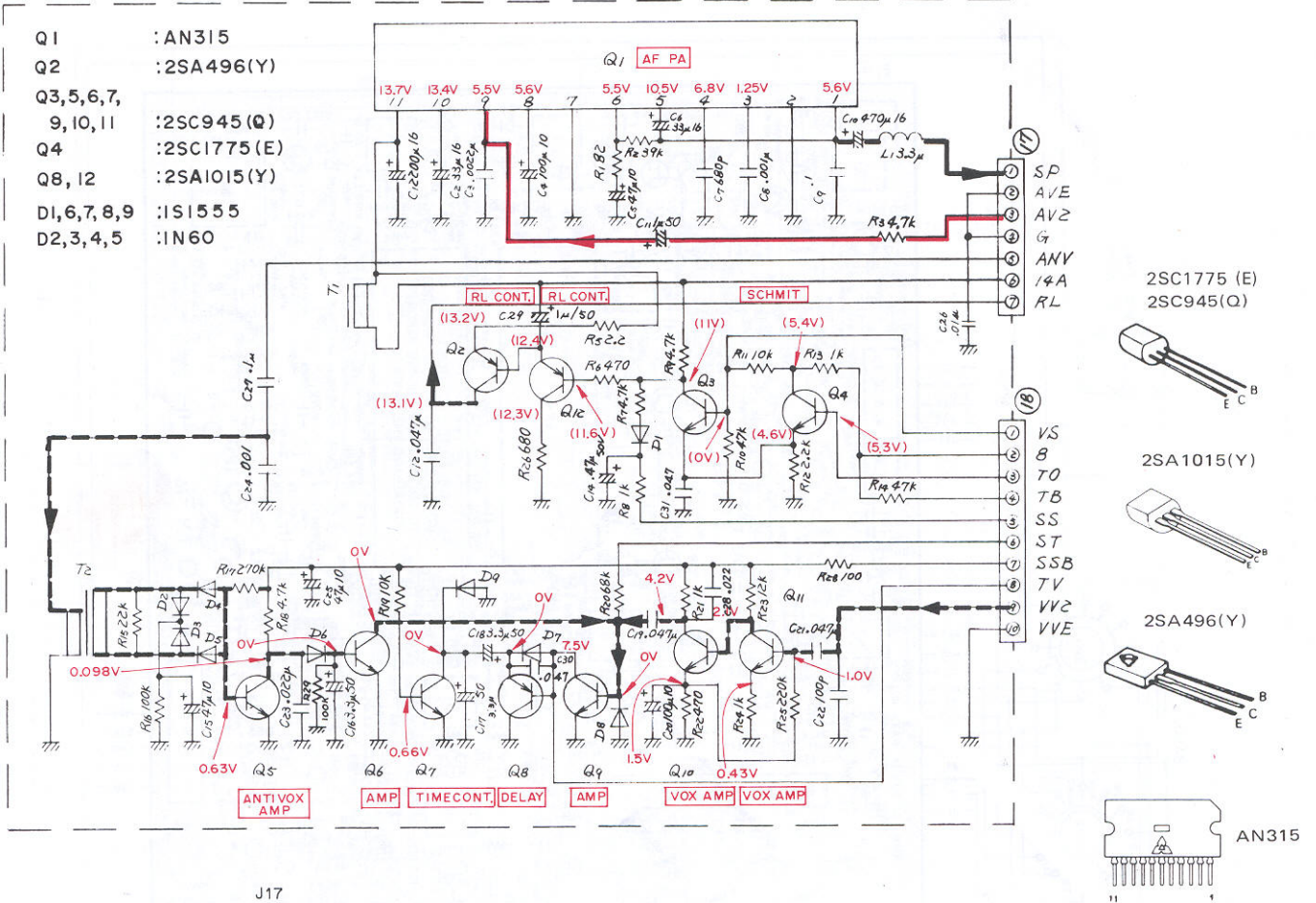
▼ IF UNIT (X48-1240-11) PARTS LIST: Page 41



PC BOARD/CIRCUIT DIAGRAM

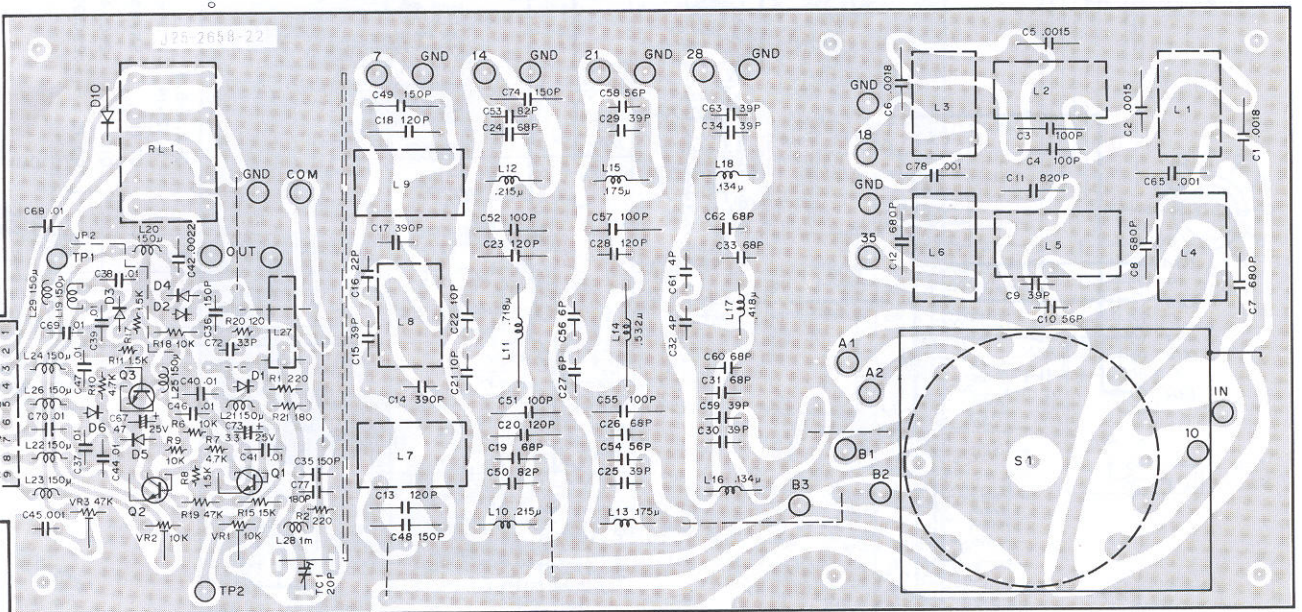
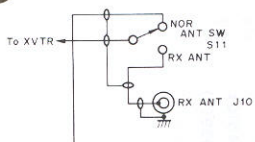
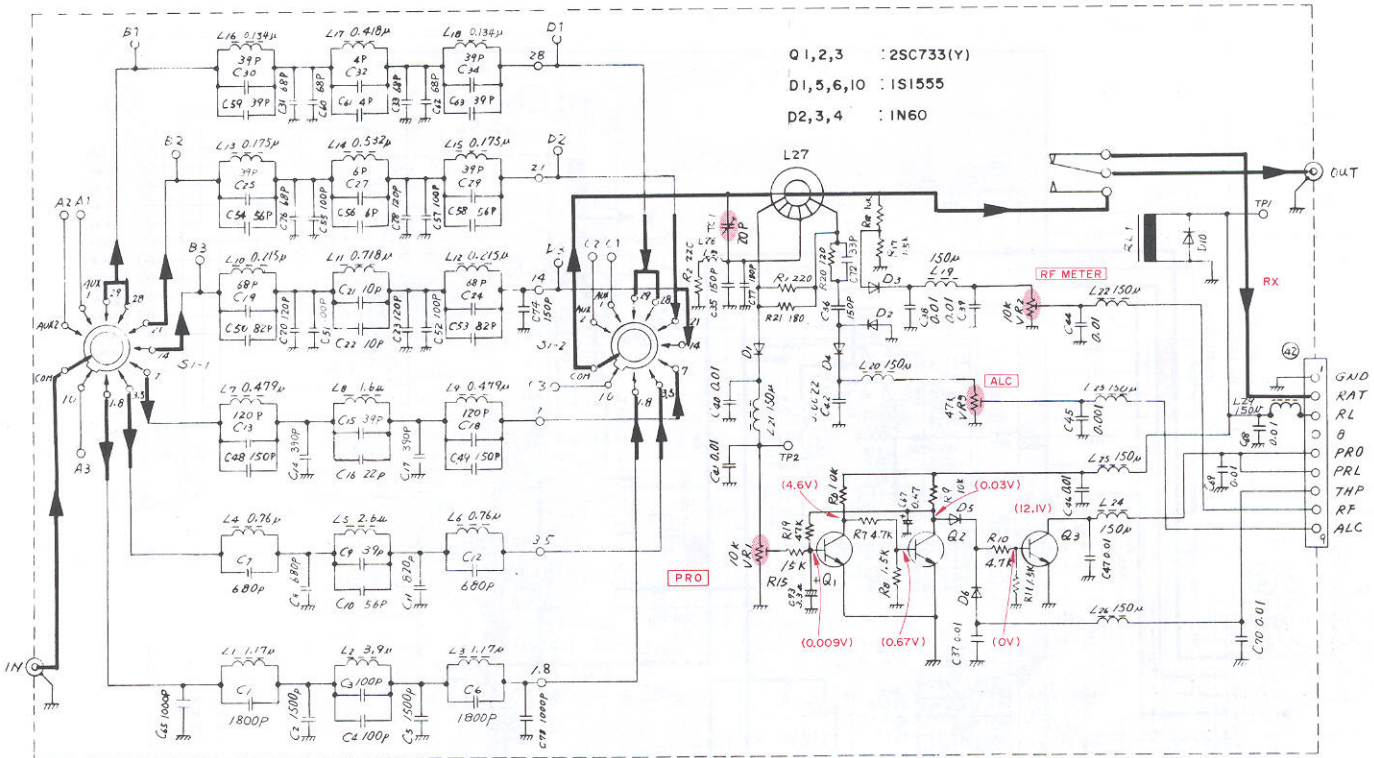
▼ AF VOX UNIT (X49-1130-00) PARTS LIST: Page 42

- Q1 : AN315
- Q2 : 2SA496(Y)
- Q3,5,6,7,9,10,11 : 2SC945(Q)
- Q4 : 2SC1775(E)
- Q8,12 : 2SA1015(Y)
- D1,6,7,8,9 : 1S1555
- D2,3,4,5 : 1N60



PC BOARD/CIRCUIT DIAGRAM

▼ LPF UNIT (X51-1180-00) PARTS LIST: Page 44

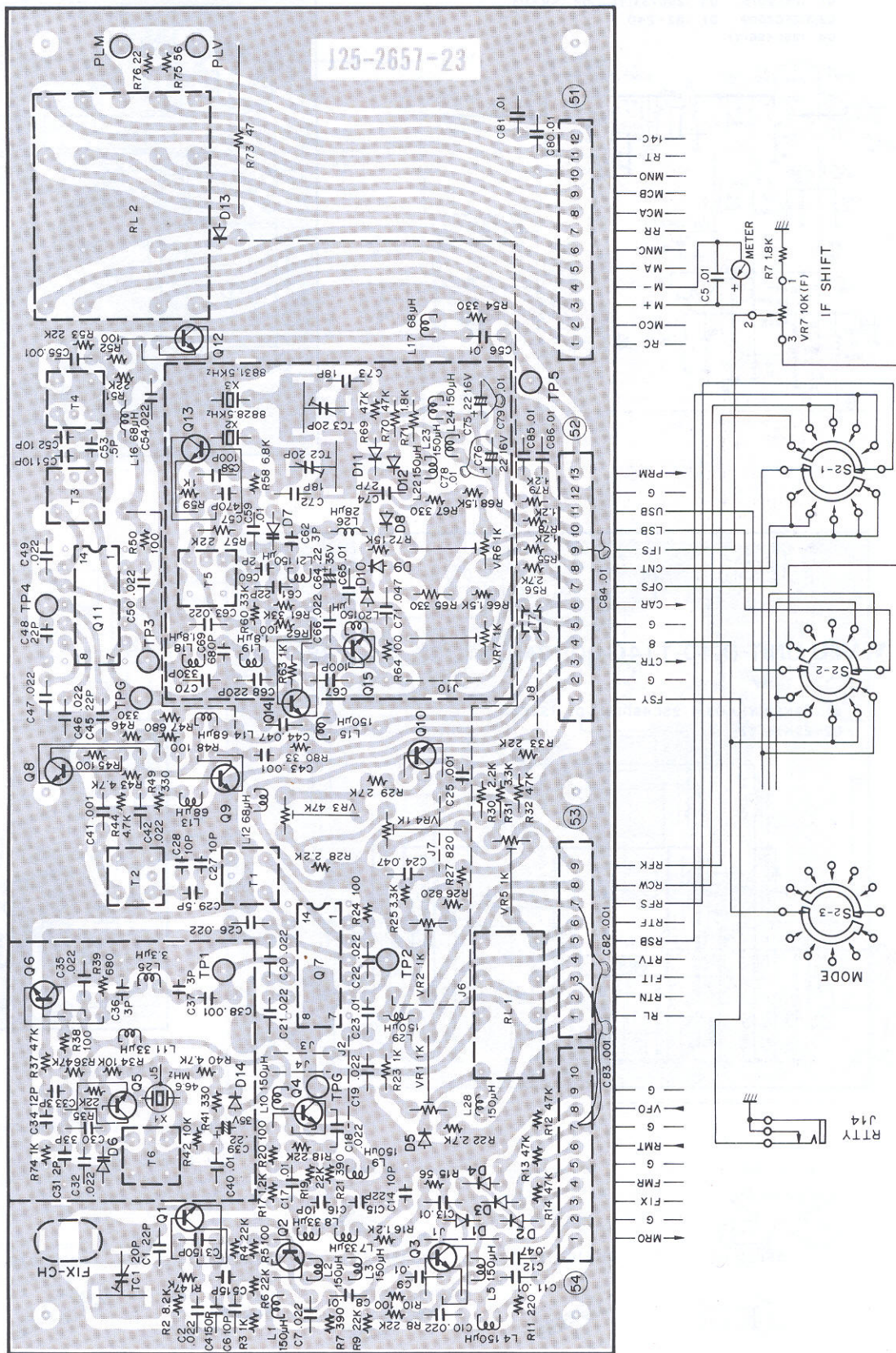


2SC733(Y)



PC BOARD/CIRCUIT DIAGRAM

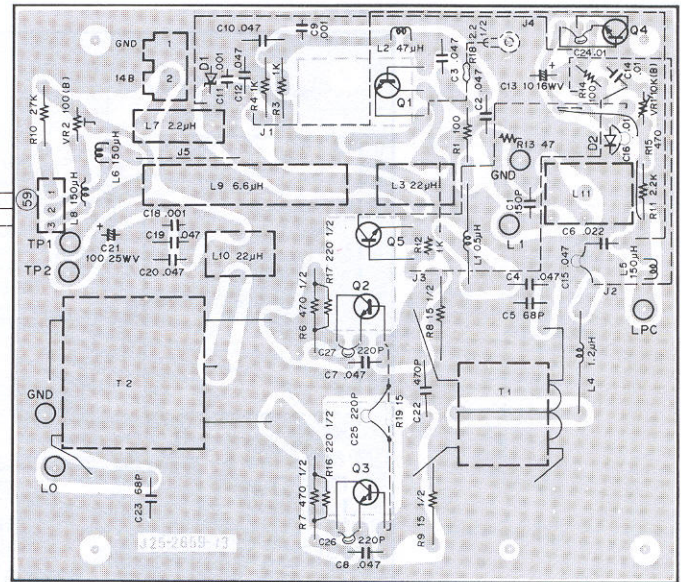
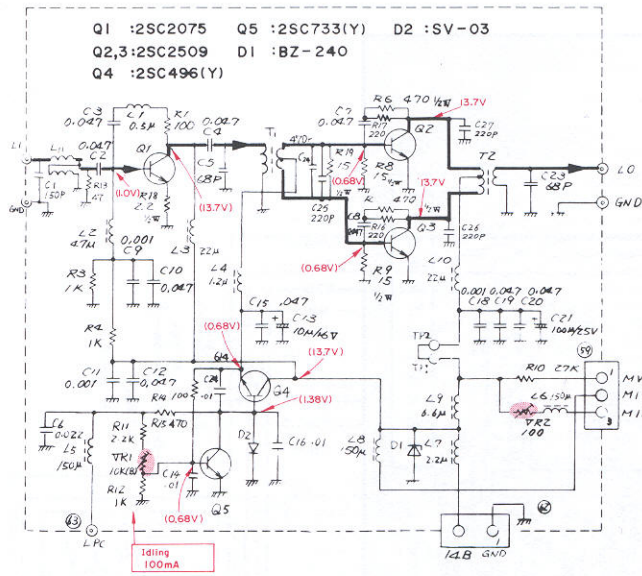
▼ PREMIX UNIT (X50-1570-00)



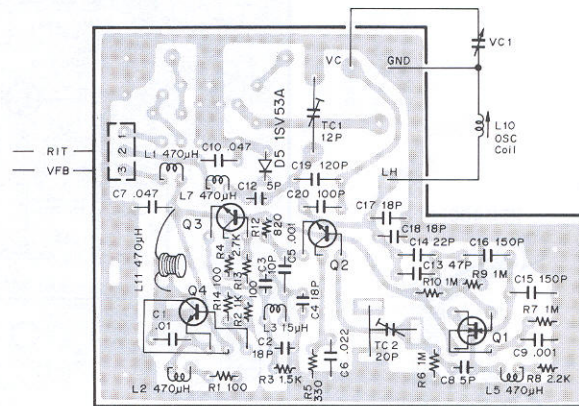
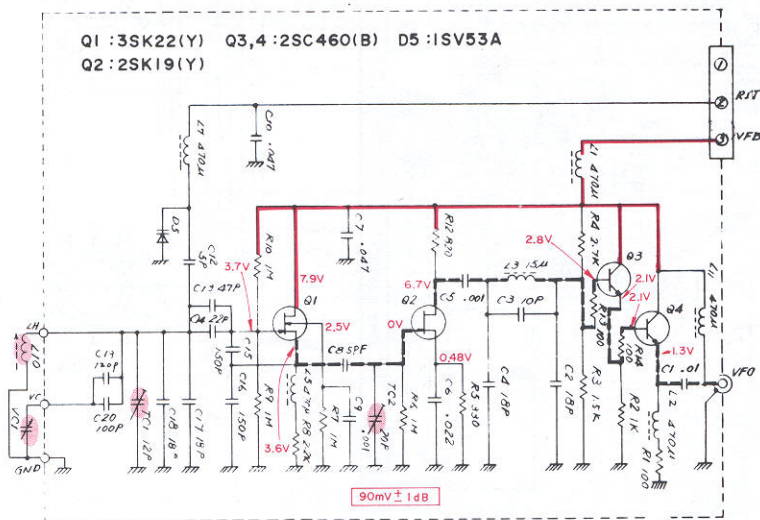
- 2SC460(B)
- 2SC945(Q)
- 2SC1959(Y)
- SN76514(N)

PC BOARD/CIRCUIT DIAGRAM

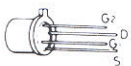
▼ 10 W FINAL UNIT (X56-1330-00) PARTS LIST: Page 45



▼ VFO UNIT (X40-1140-00) PARTS LIST: Page 46



3SK22 (Y)



2SK19 (Y)



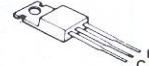
2SC496(Y)



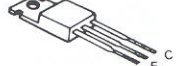
2SC733(Y)



2SC2075

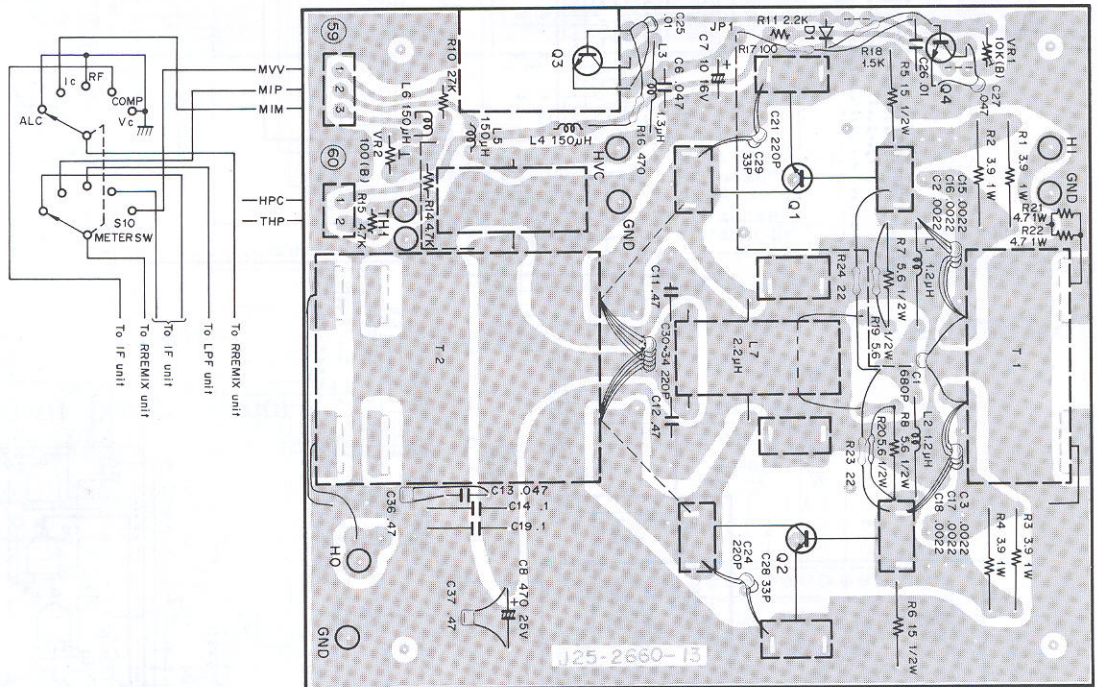
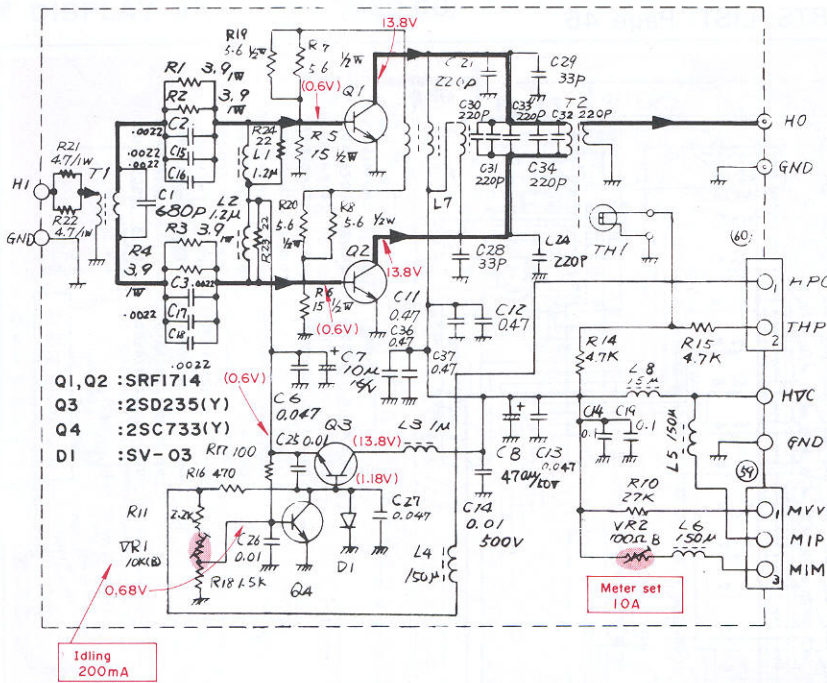


2SC2509



PC BOARD/CIRCUIT DIAGRAM

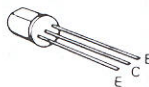
▼ 100 W FINAL UNIT (X56-1340-00) PARTS LIST: Page 45



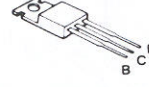
NOTE:

1. Apply the heat sink compound to Q1, Q2 and both sides of the insulating mica film.
2. Solder C30 ~ C34 to the terminal pipe of the transformer with their lead lengths as short as possible. Solder the 1φ wire to the terminal pipe of the transformer. Twist 5 leads from C30 ~ C34 before soldering.
3. Twist the leads from C3, C17 and C18 and solder them keeping them as short as possible, and do the same with the leads from C2, C15 and C16.

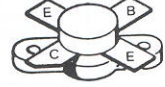
2SC733(Y)



2SD235(Y)



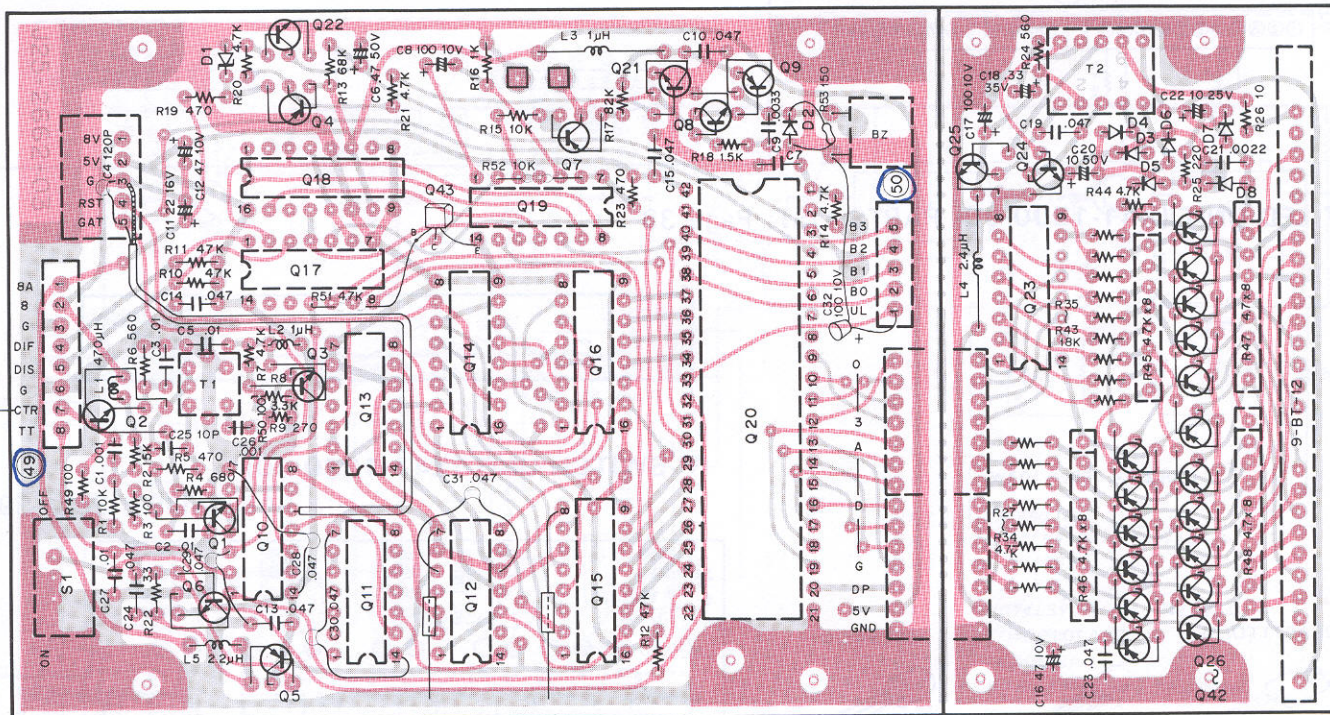
SRF1714



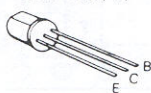
PC BOARD/CIRCUIT DIAGRAM

▼ COUNTER ASS'Y UNIT (X60-1100-00)

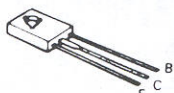
▼ DISPLAY UNIT (X54-1430-00)



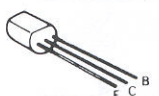
2SC460(B)
2SC733(Y)



2SA496(Y)



2SC945(Q)



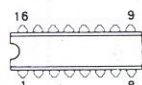
2SC1815(Y)
2SA1015(Y)



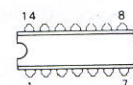
NJM78L05/A



HD74LS42P
TC4019BP
TC4027BP
TC4518BP



SN74S00N
HD74196P
HD74LS90P
TC7400BP
TC7404UBP

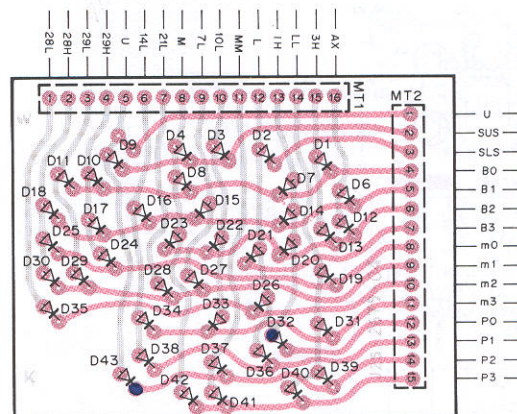
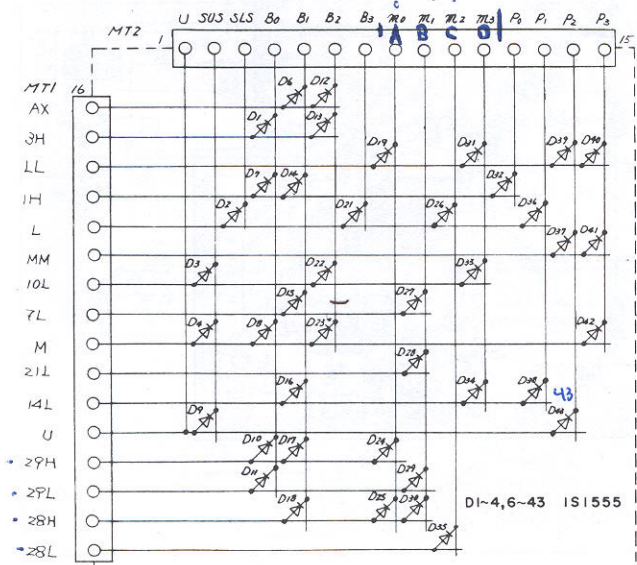


TMC1000



▼ PLL ASS'Y UNIT (X60-1120-00)

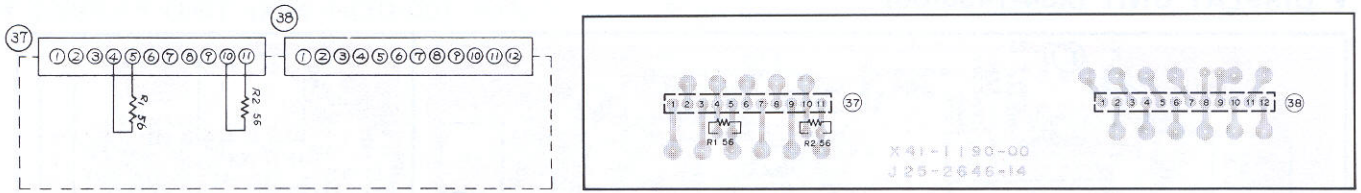
▼ MATRIX UNIT (X53-1130-00) PARTS LIST: Page 48



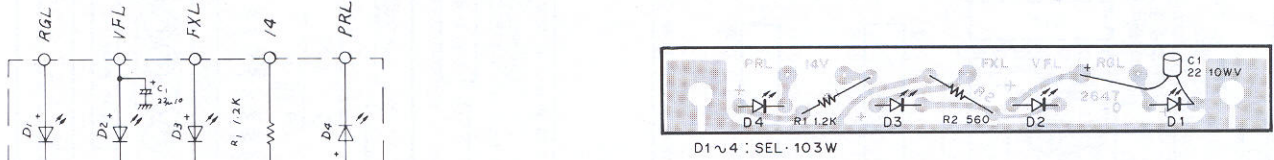
Not used D1, 15, 20 (K) type
Not used D13, 20 (W)(T)(X) type

PC BOARD/CIRCUIT DIAGRAM

▼ CONNECTOR UNIT (X41-1190-00) PARTS LIST: Page 39

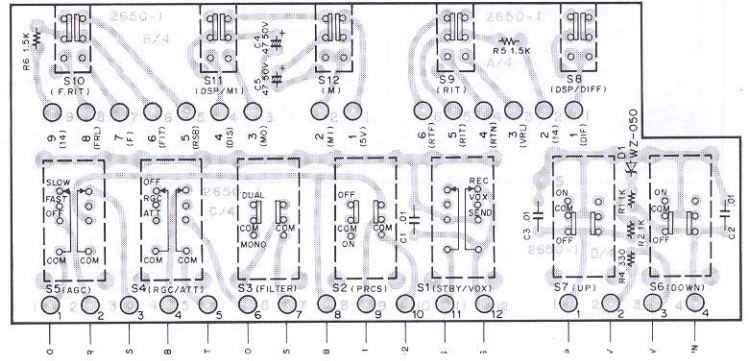
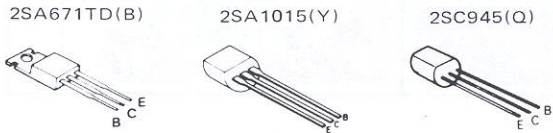


▼ LED UNIT (X41-1200-00) PARTS LIST: Page 39



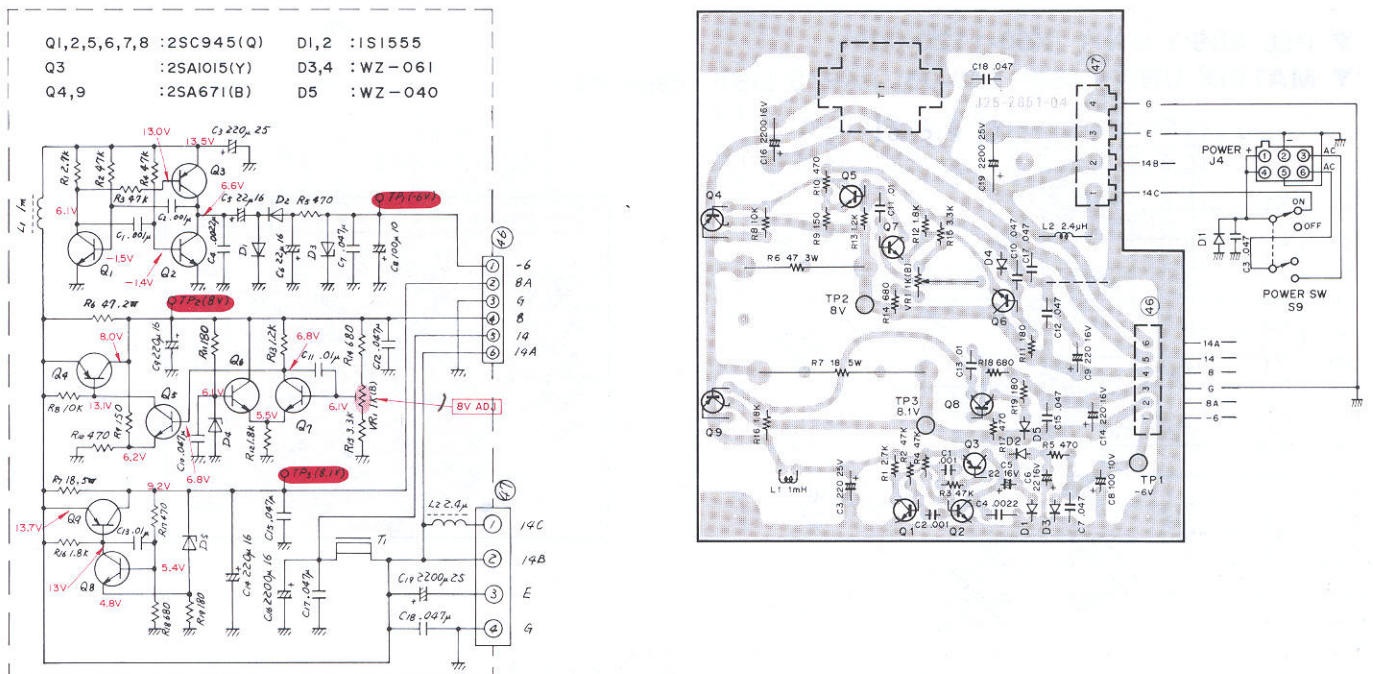
▼ SWITCH UNIT (X41-1230-00)

PARTS LIST: Page 39



▼ AVR UNIT (X43-1340-00)

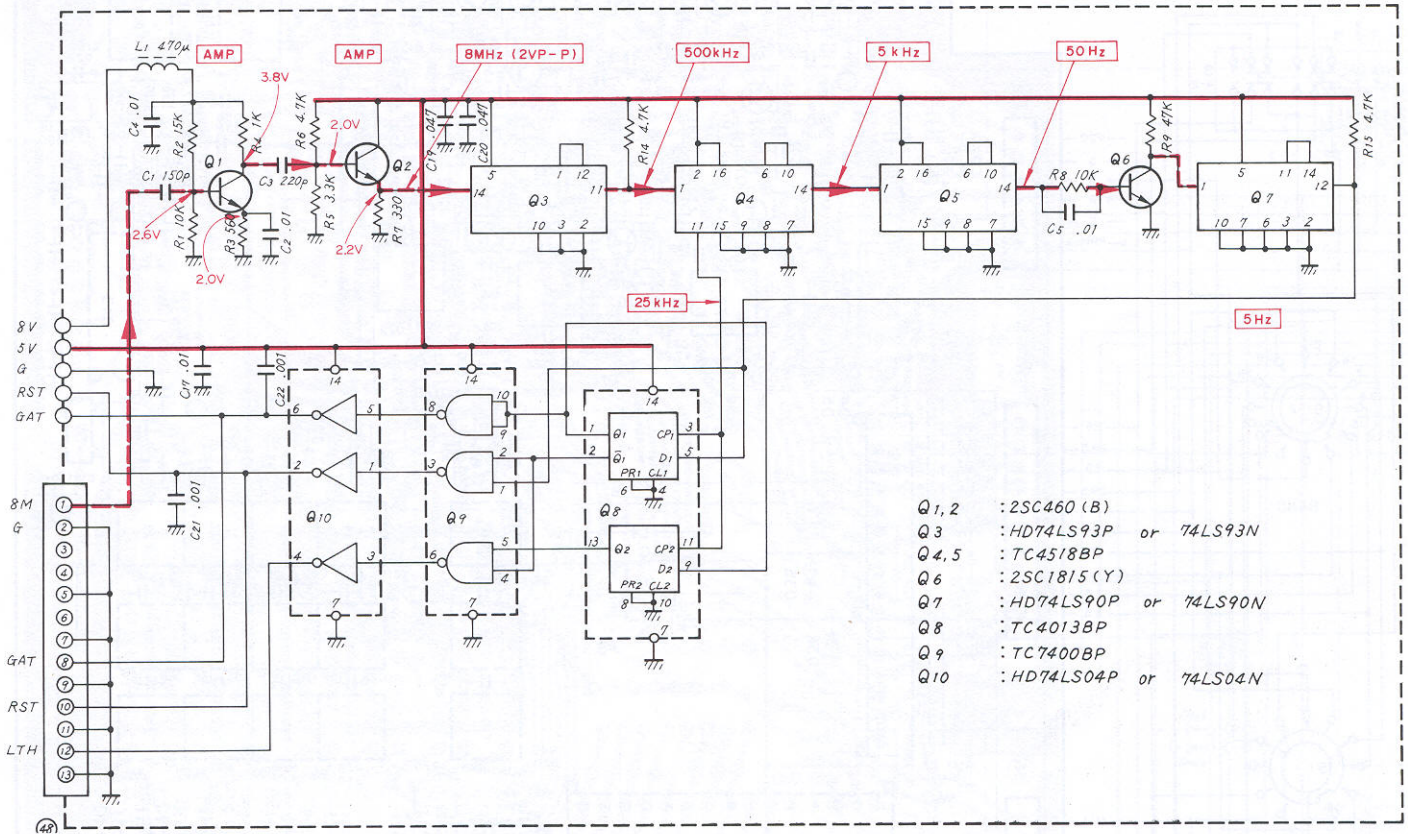
PARTS LIST: Page 40



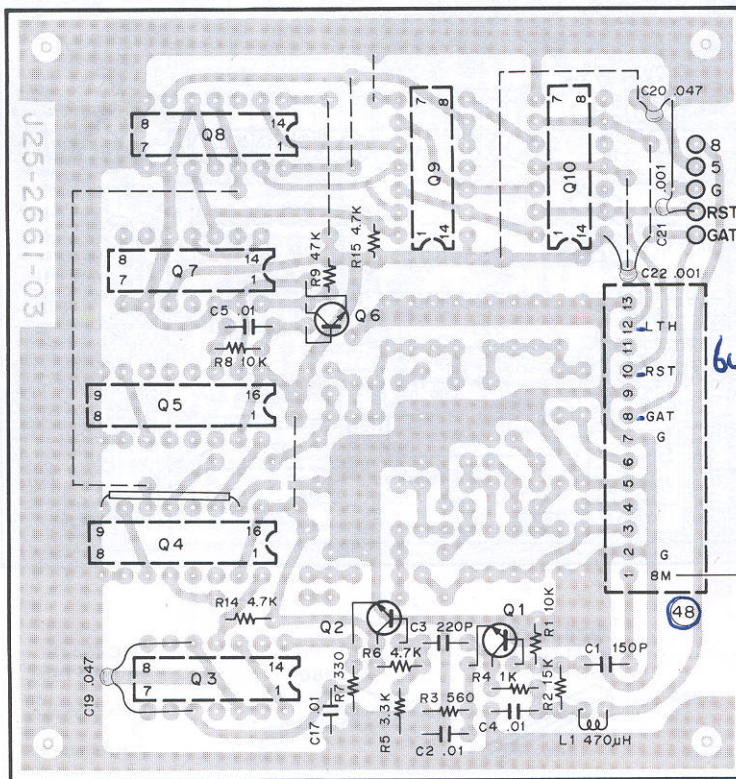
PC BOARD/CIRCUIT DIAGRAM

▼ COUNTER ASS'Y UNIT (X60-1100-00)
 ▼ DIVIDE UNIT (X54-1420-00) PARTS LIST: Page 46

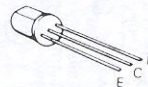
(00-0821-02X) THU 119 Y



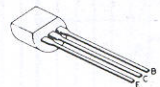
- Q1, 2 : 2SC460 (B)
- Q3 : HD74LS93P or 74LS93N
- Q4, 5 : TC4518BP
- Q6 : 2SC1815 (Y)
- Q7 : HD74LS90P or 74LS90N
- Q8 : TC4013BP
- Q9 : TC7400BP
- Q10 : HD74LS04P or 74LS04N



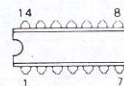
2SC460(B)



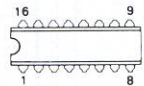
2SC1815(Y)



- HD74LS93P
- HD74LS04P
- HD74LS90P
- TC7400BP
- TC4013BP

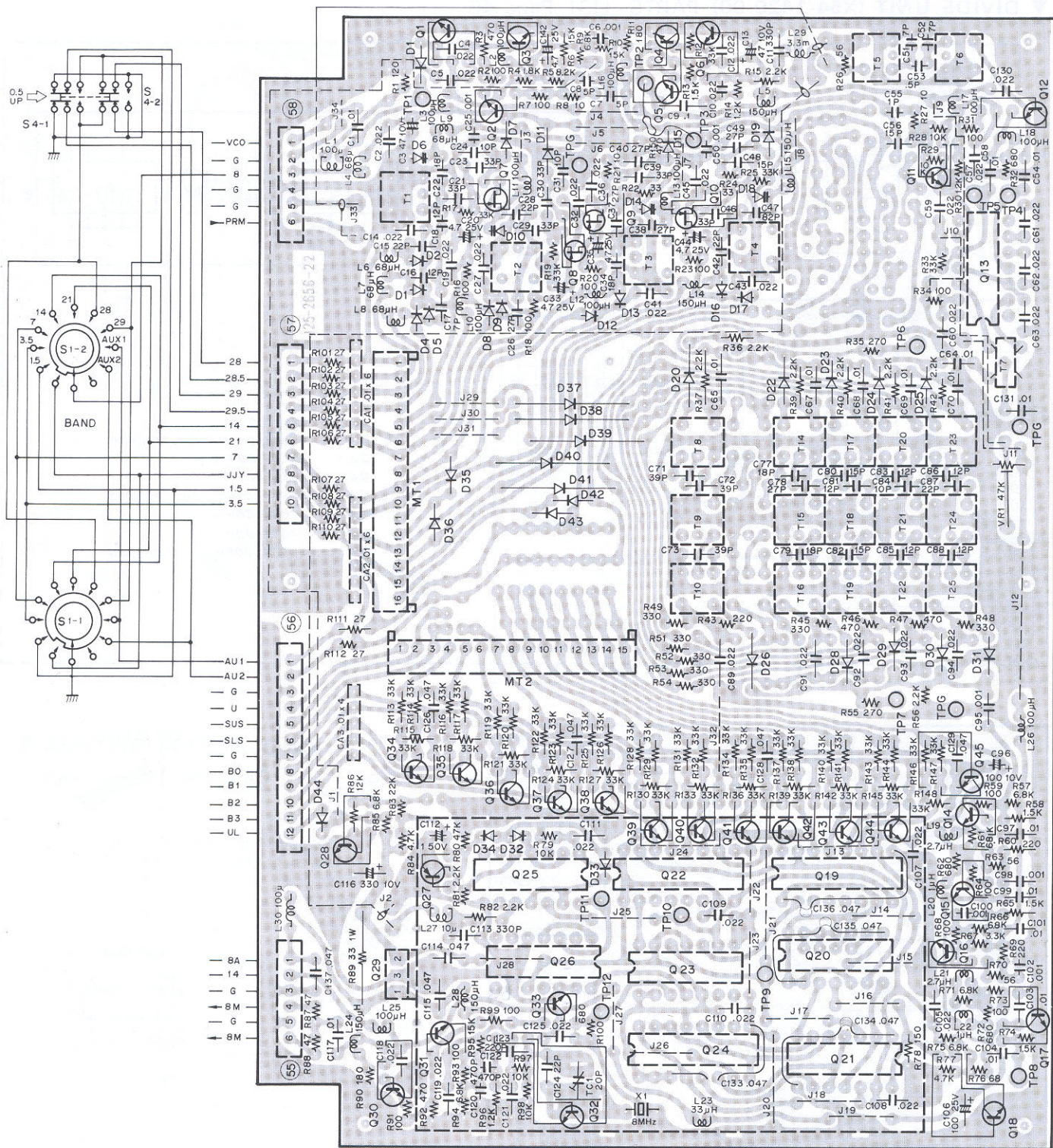


TC4518BP



PC BOARD/CIRCUIT DIAGRAM

▼ PLL UNIT (X50-1560-00)



2SA1015(Y)
2SC1959(Y)



2SC460(B)



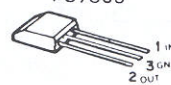
2SK19(GR)



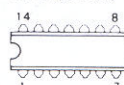
2SC945(O)
2SC1775(E)
2SC1907



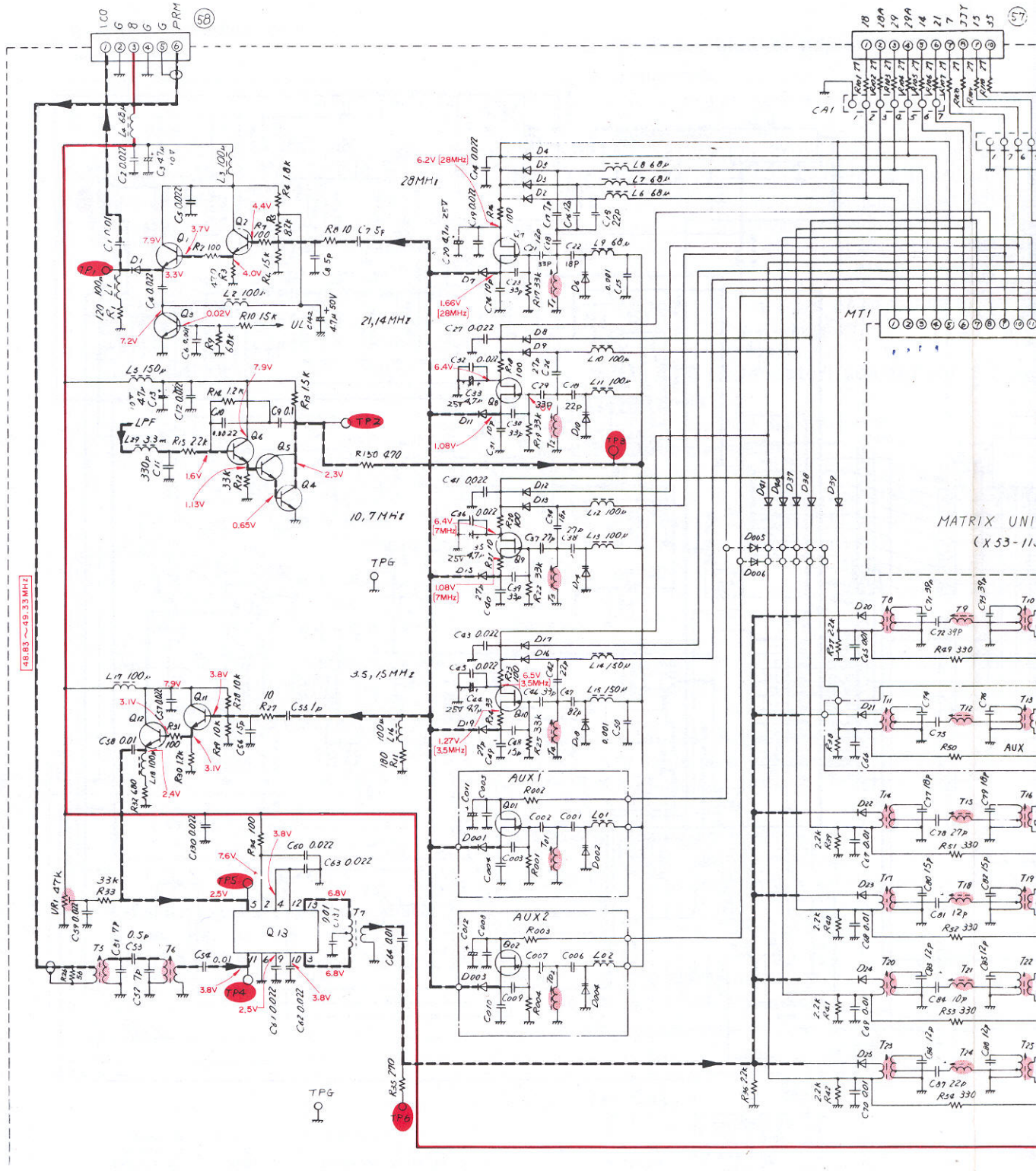
FS7805



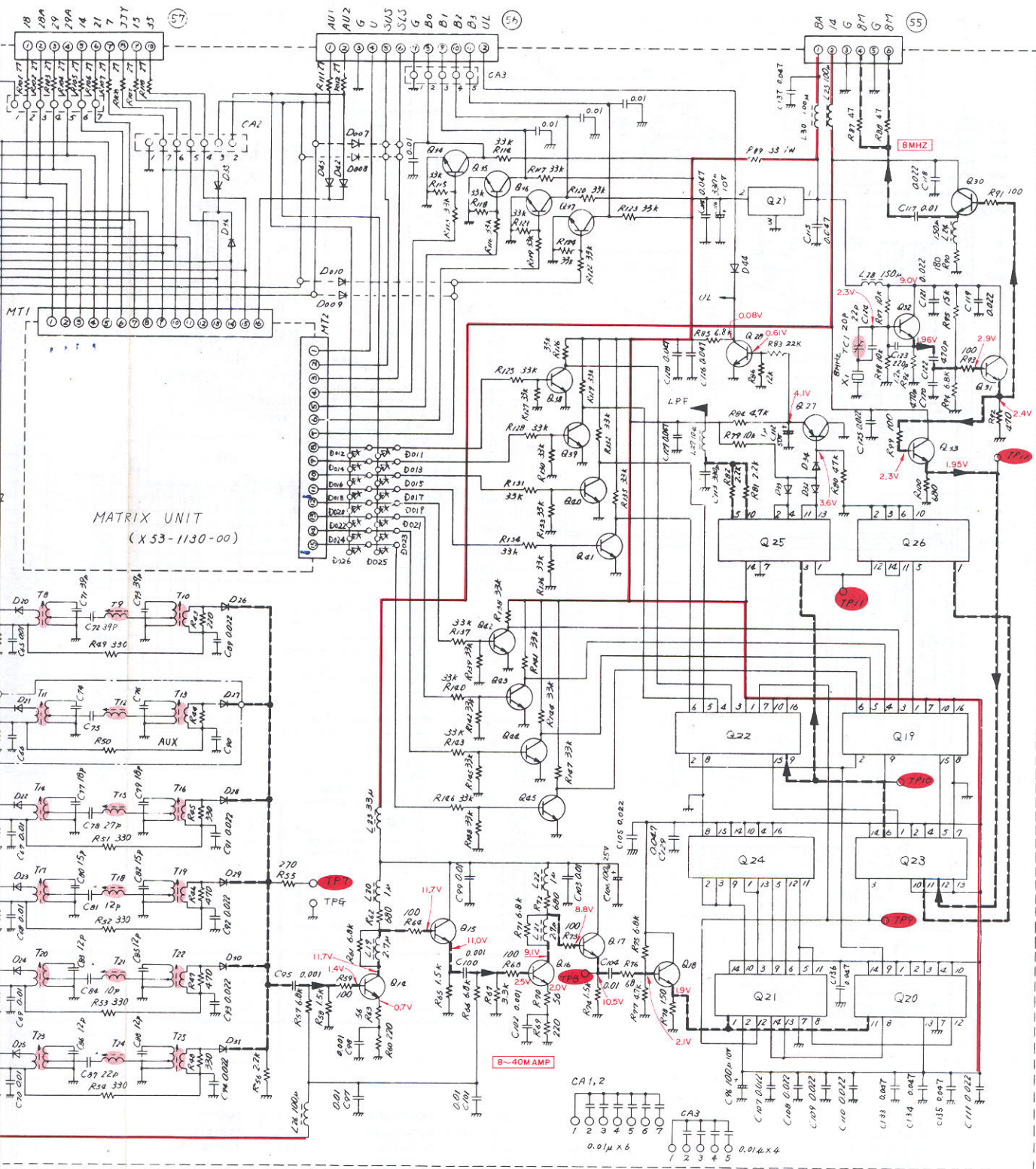
MC4044P
SN76514N



▼ PLL ASS'Y UNIT (X60-1120-00)
 ▼ PLL UNIT (X50-1560-00) PARTS LIST: Page 47

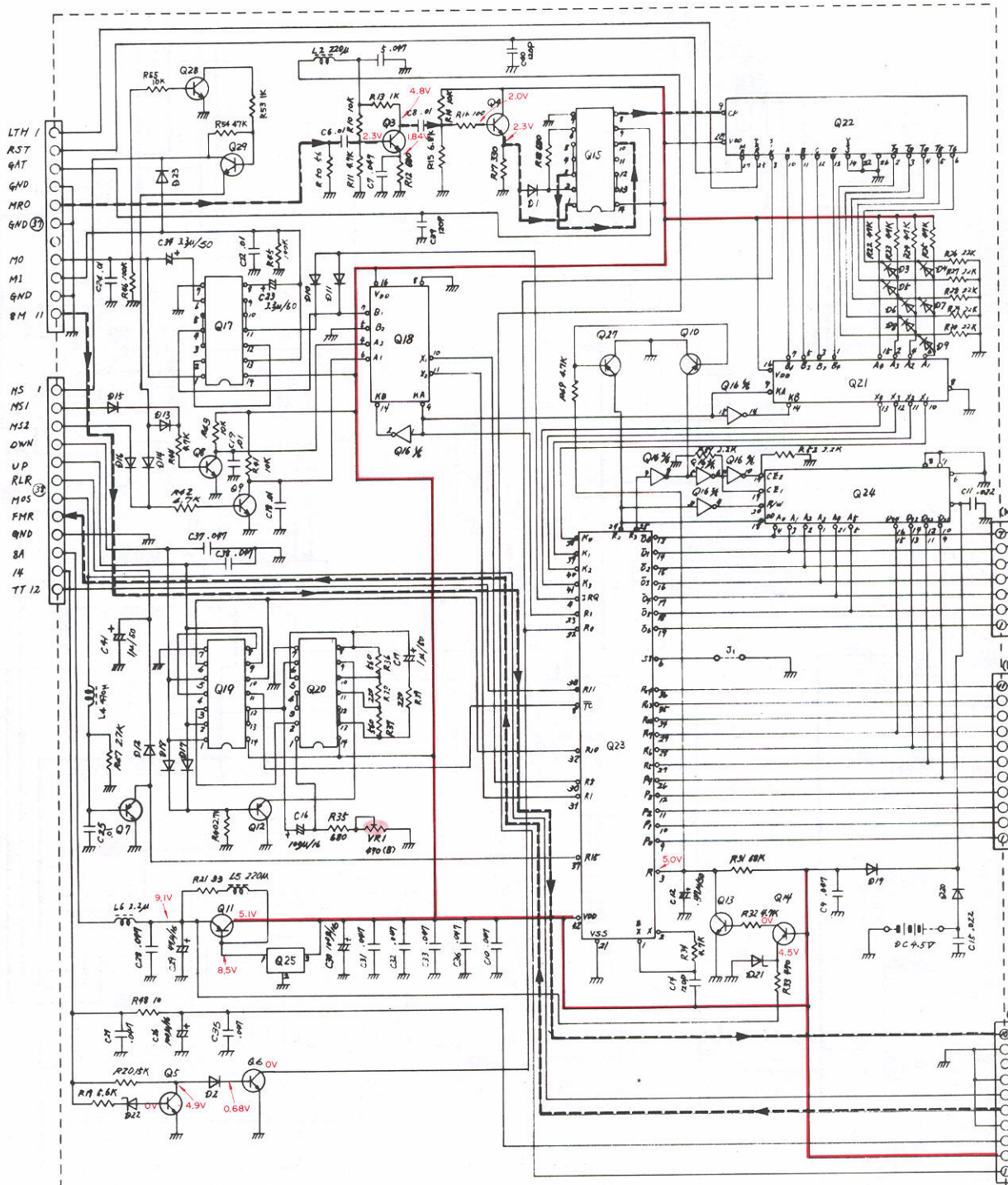


Q01, 02, 8~10	: 2SK19(GR)	Q4~6	: 2SC1775(E)	Q19, 22	: SN74LS163N or HD74LS163P or 74LS163N	Q26	
Q1, 2, 14, 16	: 2SC1907	Q7	: 2SK19(BL)	Q20	: SN74S74N or HD74S74	Q27	
Q3, 28		Q11, 12, 15, 17, 18,		Q21	: SN74S00N or HD74S00	Q29	
34~45	: 2SC945(Q)	31~33	: 2SC460(B)	Q23	: SN74LS00N or HD74LS00P or 74LS00N	Q30	
		Q13	: SN76514N	Q24	: SN74S112N or HD74S112		
				Q25	: MC4044P		



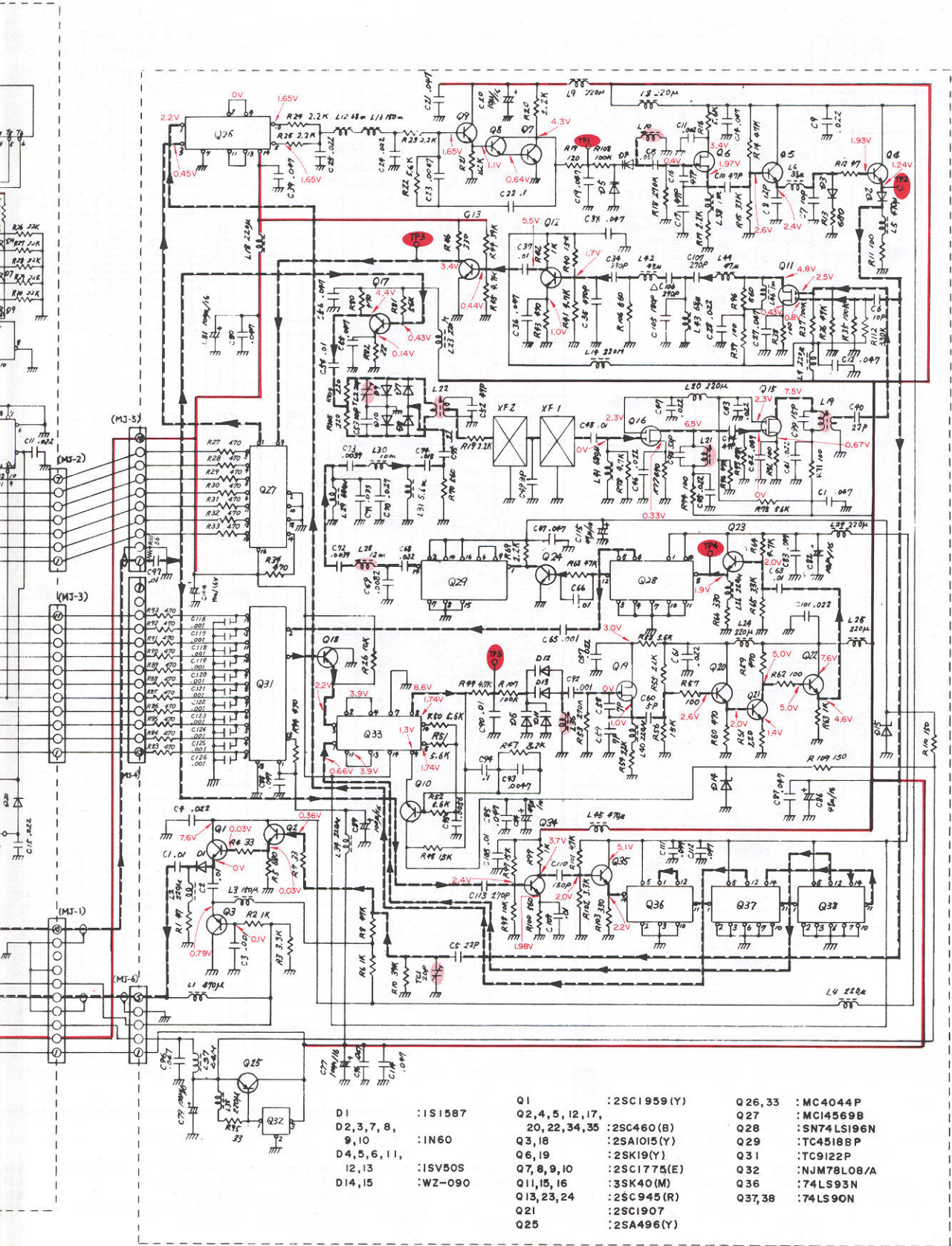
Q26	:SN74LS93N or HD74LS93P or 74LS93N	D1~3		D4, 7		D6, 10, 14	
Q27	:2SA1015(Y)	5, 9		8, 11		18, 002	
Q29	:FS 7805	13, 16	:IS2588	12, 15		004	:ISV53A
Q30	:2SC1959(Y)			17, 19		D20, 22-26	
				32~44		28~31	:IS1587
				001, 003			
				005-026	:IS1555		

▼ MEMORY ASS'Y UNIT (X60-1090-00)
 ▼ CONTROL UNIT (X53-1100-00) PARTS LIST: Page 50



D1, 2, 3, 4, 5, 6, 7, 8, 9, 10, 11, 12, 13, 14, 15, 16, 17, 18, 19, 20, 23	: 1S1555	Q3	: 2SC1907	Q15	: SN74LS00N	Q23	: TMC1010	
D21	: WZ - 044	Q4, 5, 6, 8, 9, 13, 28, 29	: 2SC945(Q)	Q16	: TC7404UBP	Q24	: TC5501P-1	
D22	: XZ - 090	Q7, 10, 12, 14,	Q11	: 2SA496(Y)	Q17	: TC7400BP	Q25	: NJM78L05/A
		Q27	: 2SA1015(Y)	Q18, 21	: TC4019BP			
		Q11	: 2SA496(Y)	Q19, 20	: SN7400N			
				Q22	: TC5032P			

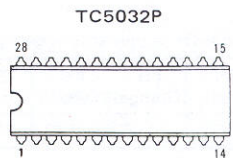
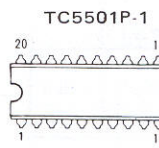
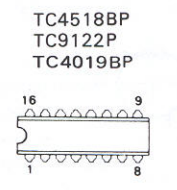
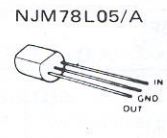
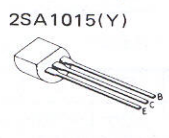
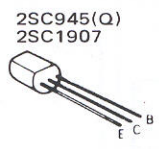
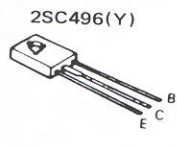
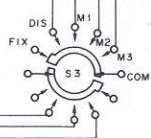
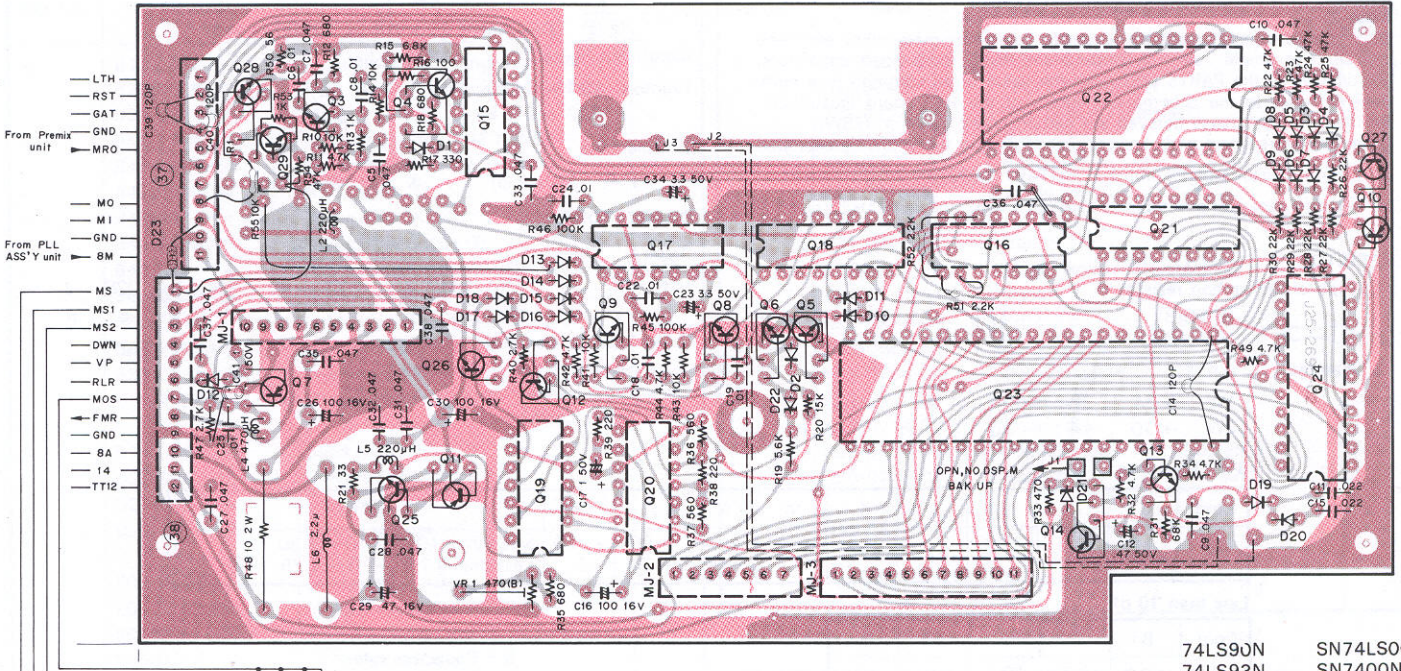
▼ VCO UNIT (X50-1550-00) PARTS LIST: Page 49



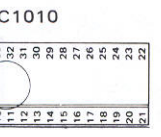
D1	: IS1587	Q1	: 2SC1959(Y)	Q26, 33	: MC4044P
D2, 3, 7, 8,		Q2, 4, 5, 12, 17,		Q27	: MC14569B
9, 10	: IN60	20, 22, 34, 35	: 2SC460(B)	Q28	: SN74LS196N
D4, 5, 6, 11,		Q3, 18	: 2SA1015(Y)	Q29	: TC4518BP
12, 13	: 1SV50S	Q6, 19	: 2SK19(Y)	Q31	: TC9122P
D14, 15	: WZ-090	Q7, 8, 9, 10	: 2SC1775(E)	Q32	: NJM78L08/A
		Q11, 15, 16	: 3SK40(M)	Q36	: 74LS93N
		Q13, 23, 24	: 2SC945(R)	Q37, 38	: 74LS90N
		Q21	: 2SC1907		
		Q25	: 2SA496(Y)		

PC BOARD/CIRCUIT DIAGRAM

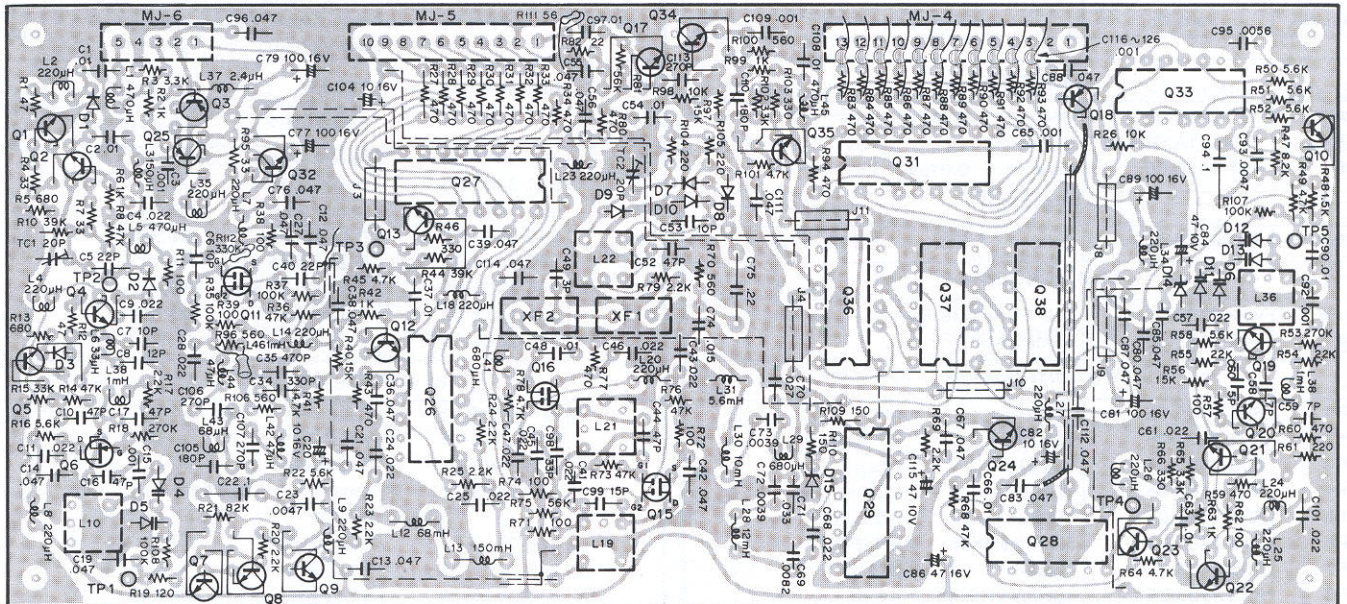
▼ CONTROL UNIT (X53-1100-00)



- 74LS90N SN74LS00N
- 74LS93N SN7400N
- SN74LS196N TC7400BP
- MC14569B TC7404BP
- MC400P



▼ VCO UNIT (X50-1550-00)



EXPLODED VIEW/DISASSEMBLY

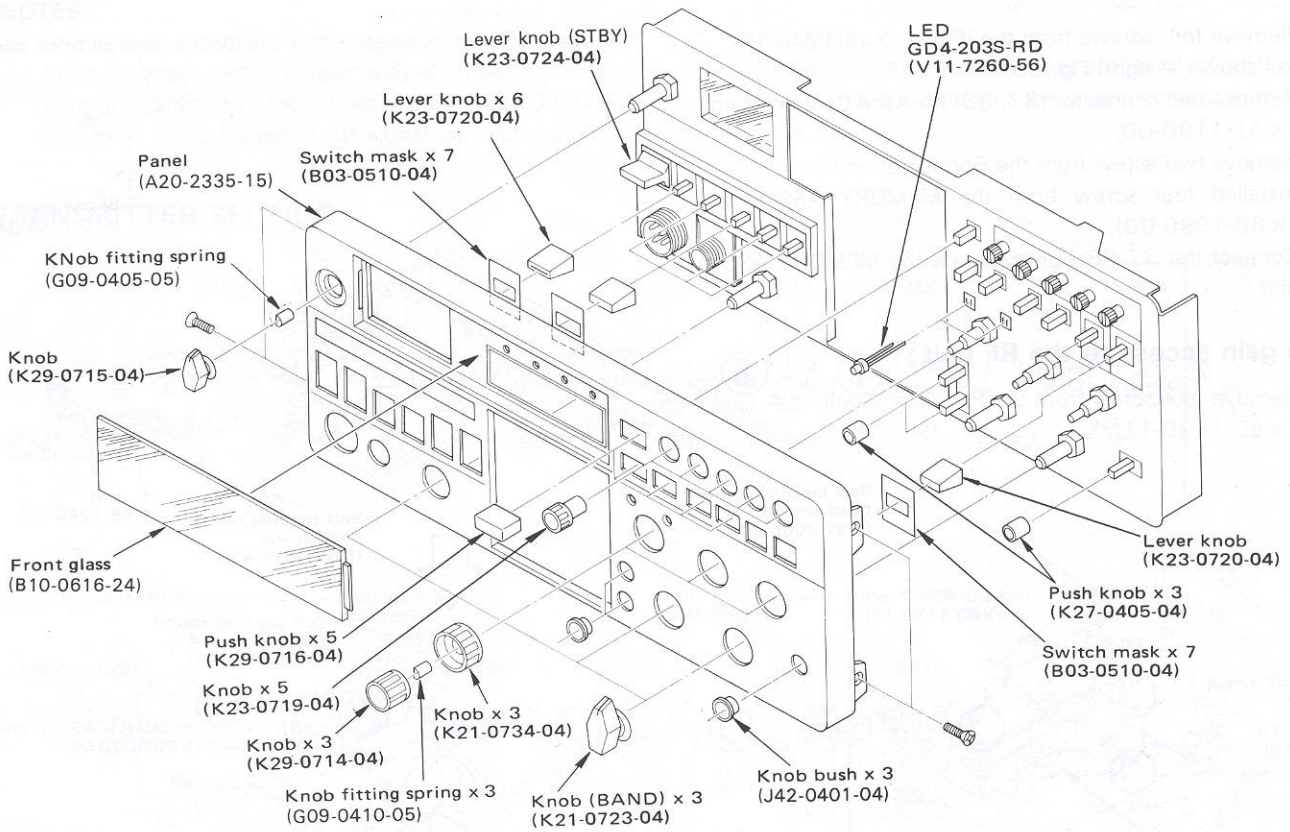


Fig. 32 Front panel exploded view

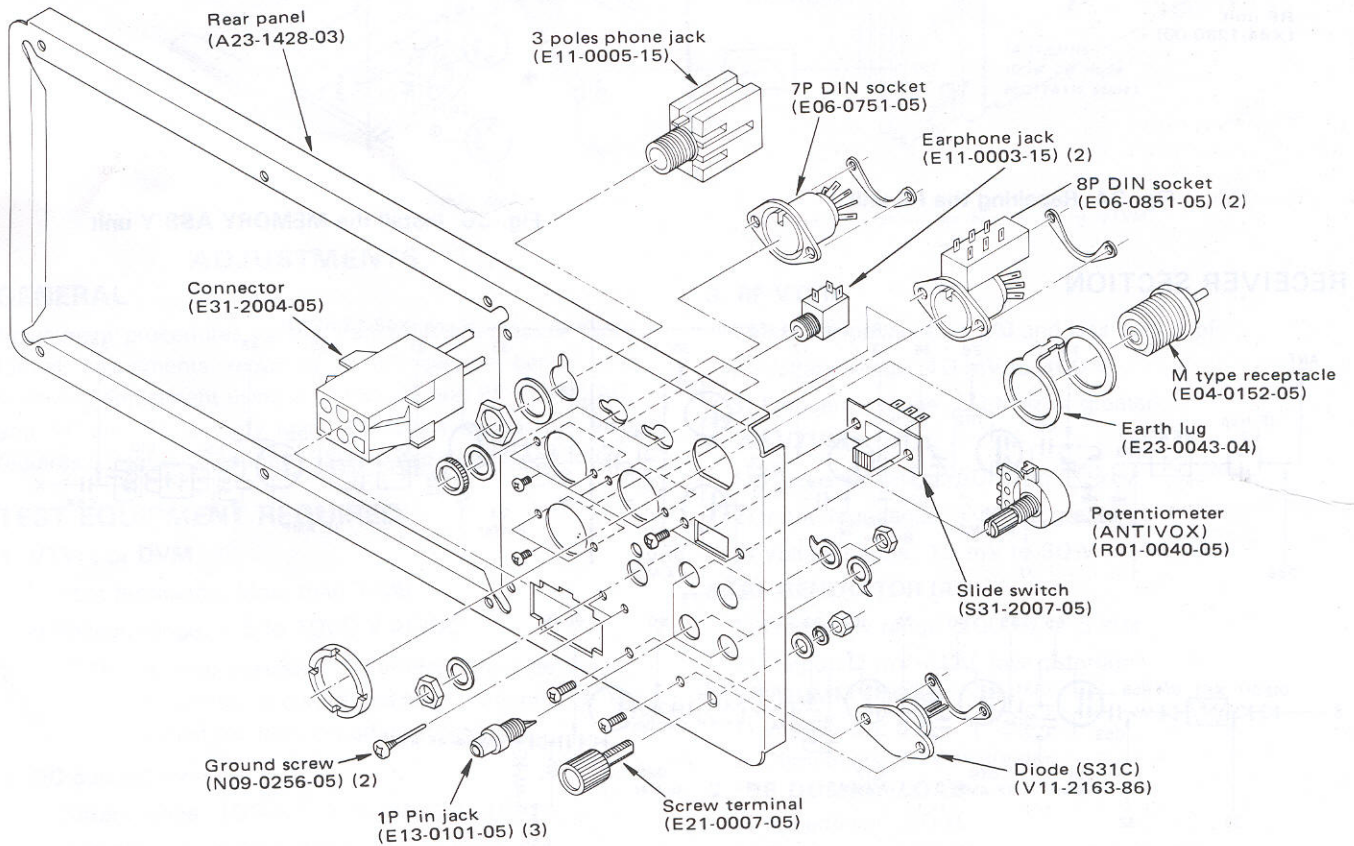
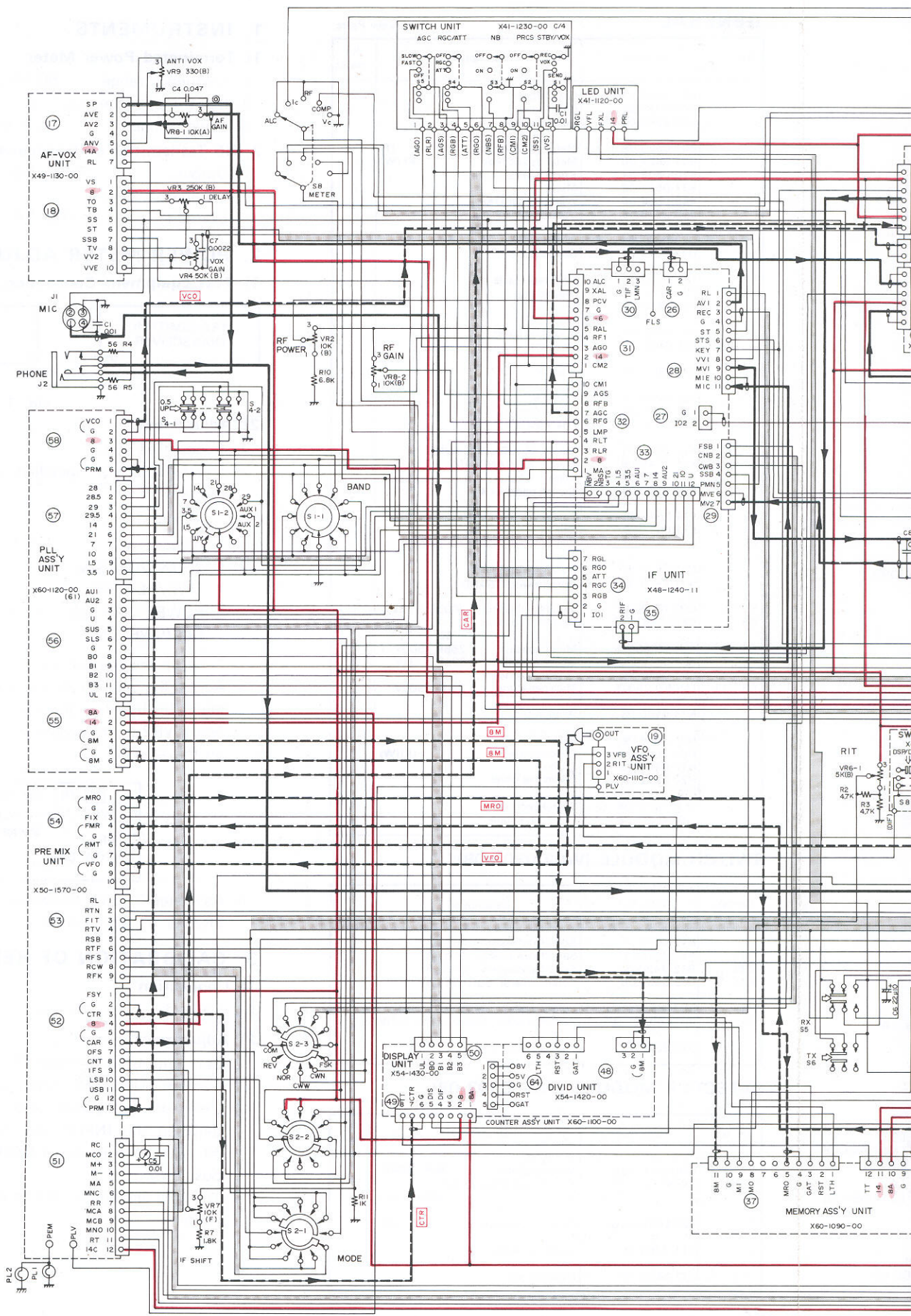
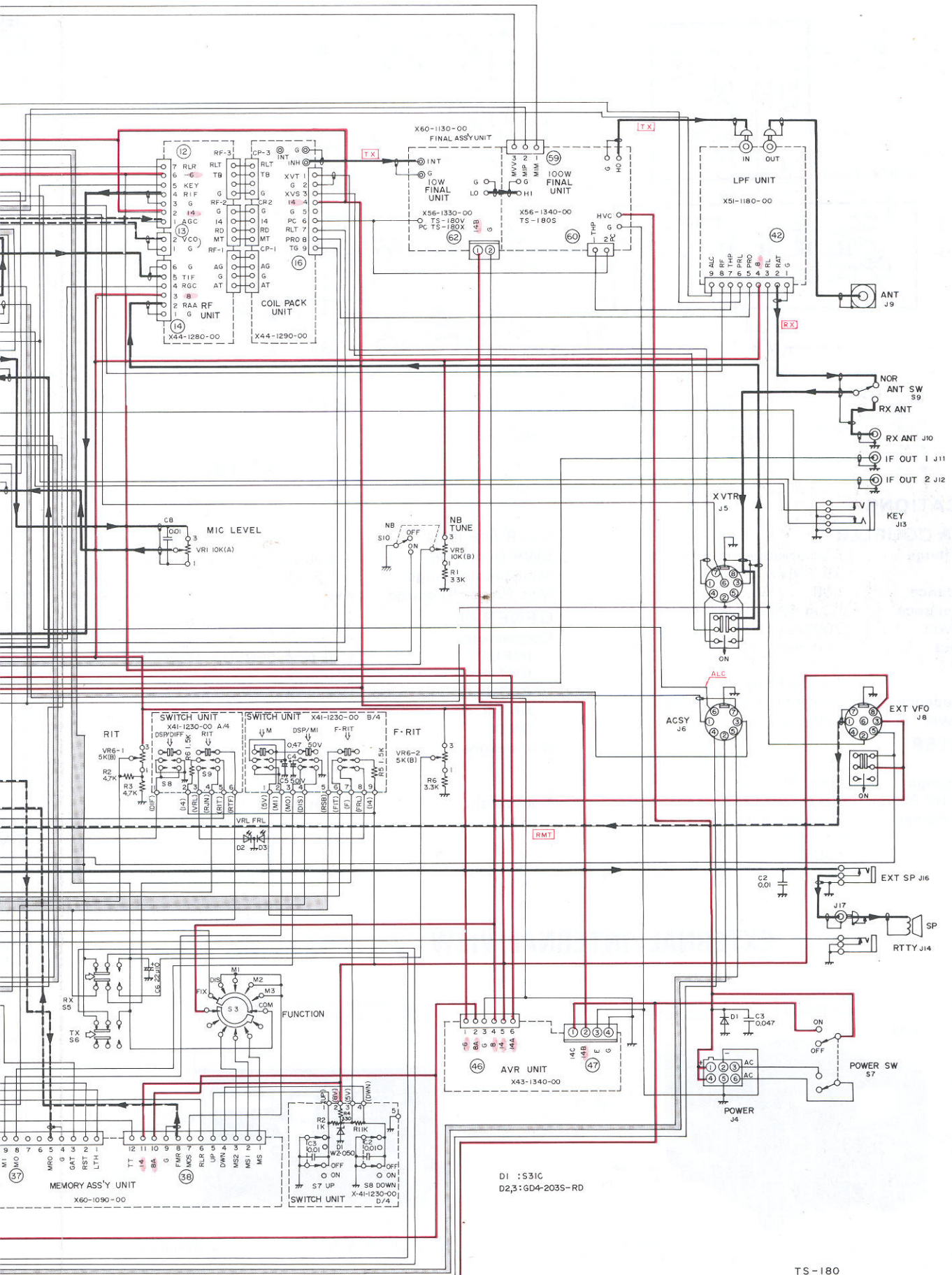


Fig. 33 Rear panel disassembly

SCHEMATIC DIAG



SCHEMATIC DIAGRAM



D1 :S31C
 D2,3:GD4-2035-RD