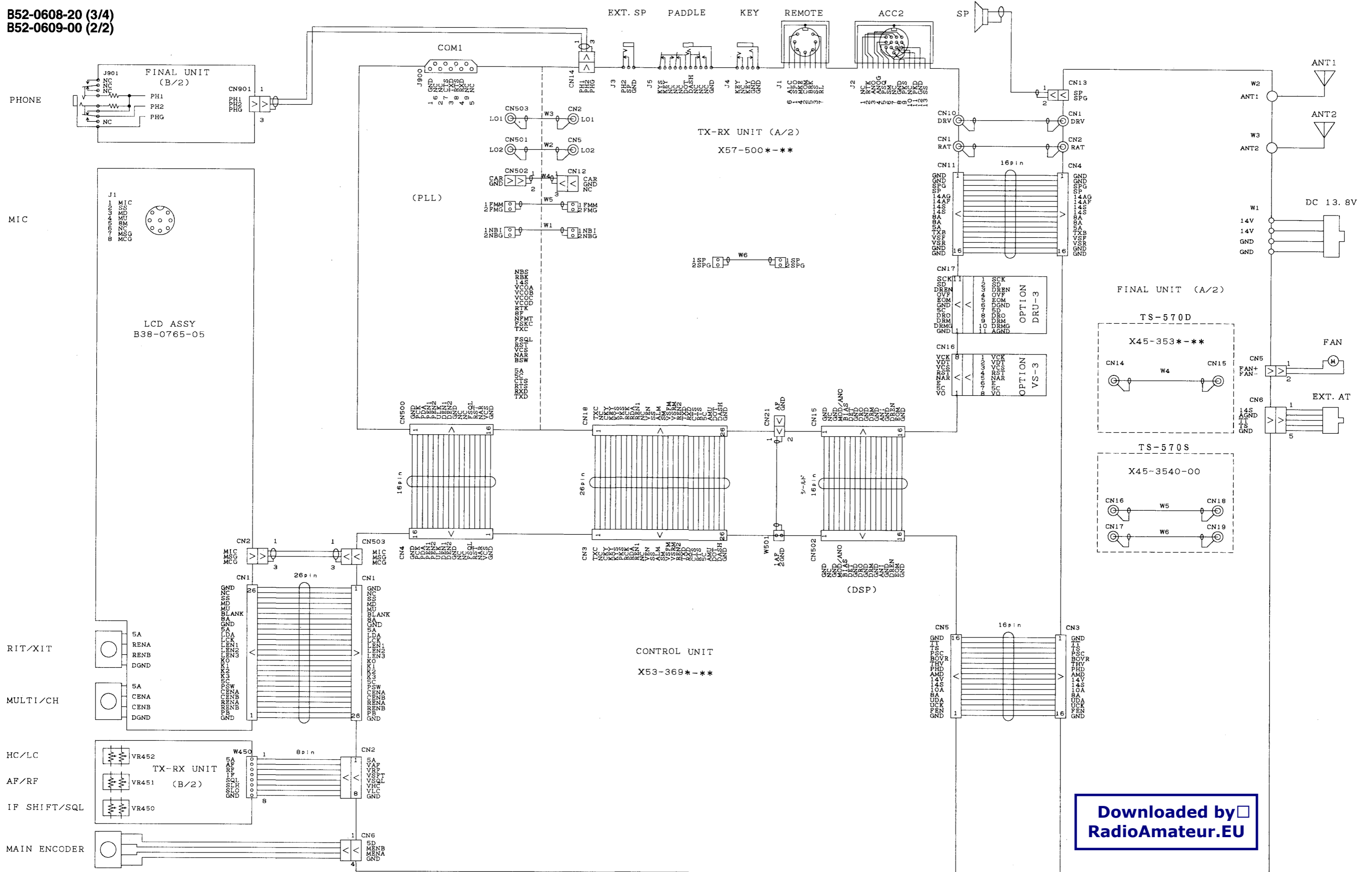


# SCHEMATIC DIAGRAM

B52-0608-20 (3/4)  
B52-0609-00 (2/2)

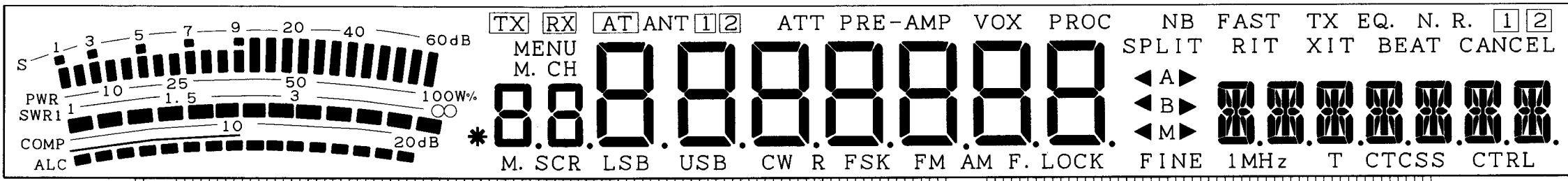


Downloaded by  RadioAmateur.EU

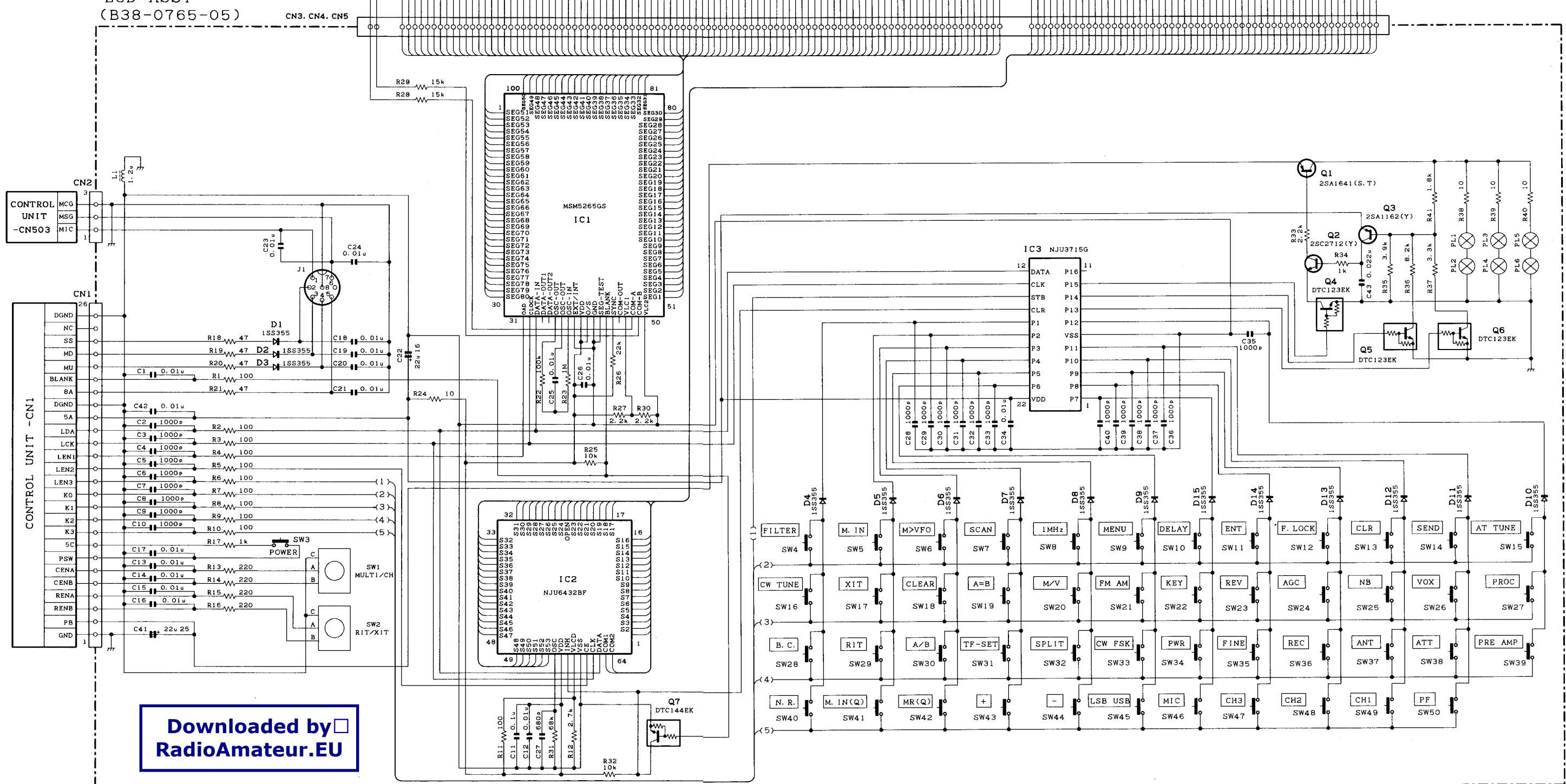
TS-570D/S

Note: Circuits are subject to change without notice due to advancements in technology.

LCD1  
(B38-0779-08)



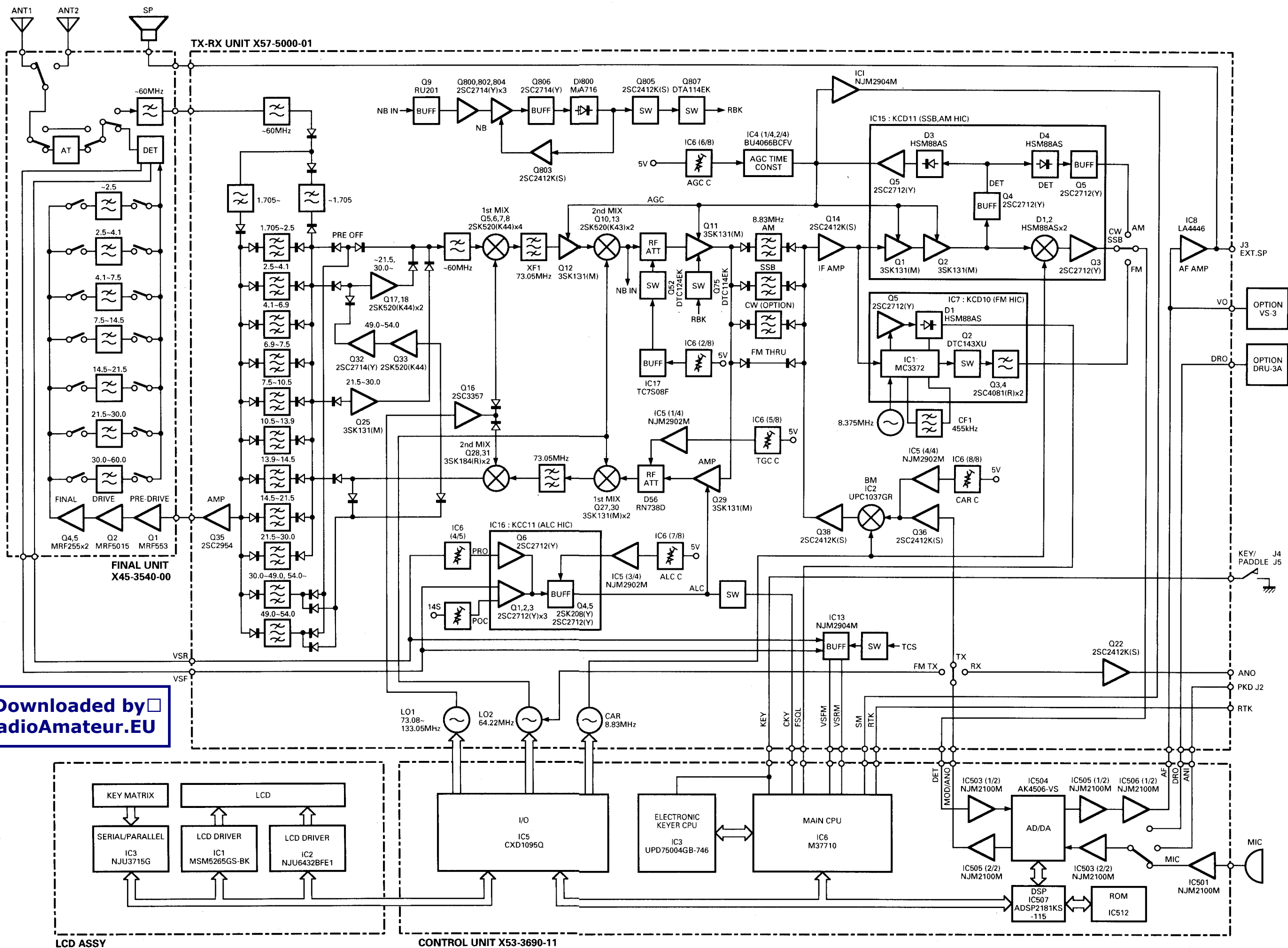
LCD ASSY  
(B38-0765-05)



Downloaded by  RadioAmateur.EU

TS-570D/S LCD

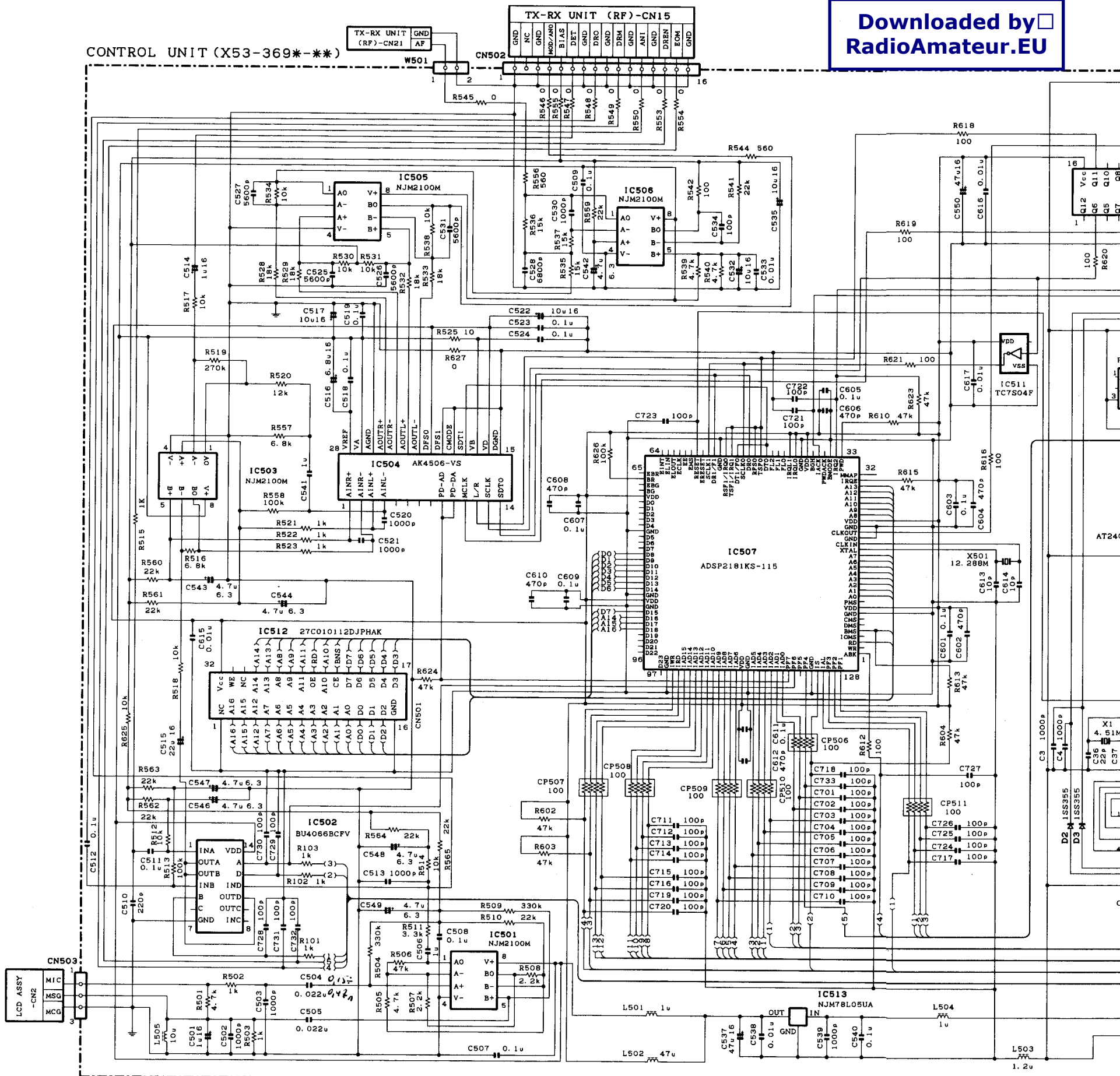
Note: Circuits are subject to change without notice due to advancements in technology.

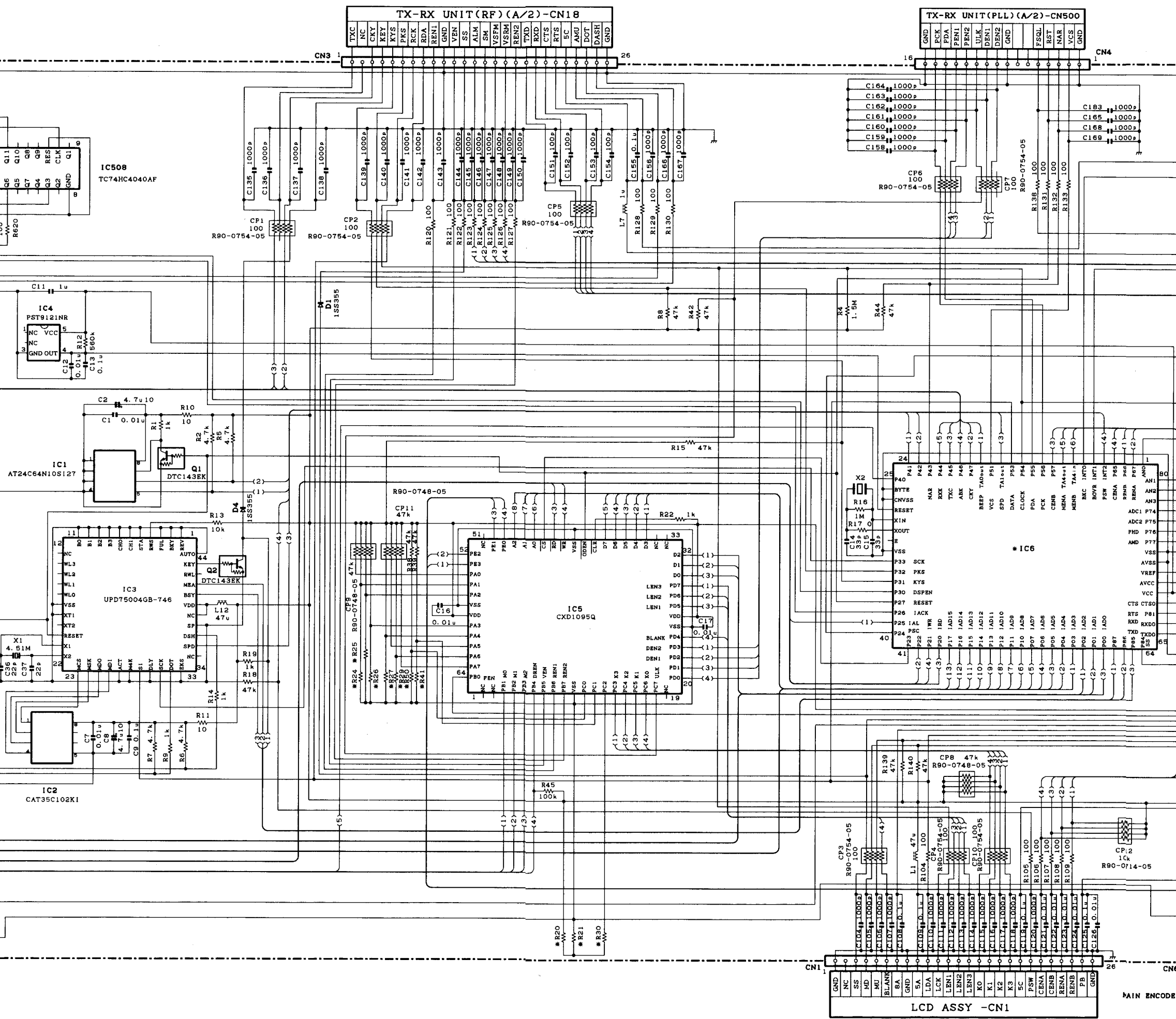


Downloaded by  RadioAmateur.EU

Note: Circuits are subject to change without notice due to advancements in technology.

CONTROL UNIT (X53-369\*-\*\*)





**TX-RX UNIT (RF) (A/2) - CN18**

TXC	NC	KEY	KEY	KEY	PKS	RCK	RDA	BENI	GND	VEN	SS	ALM	SM	YSFM	VSRM	REN2	TXD	CTS	RTS	5C	AMU	DOT	DASH	GND
-----	----	-----	-----	-----	-----	-----	-----	------	-----	-----	----	-----	----	------	------	------	-----	-----	-----	----	-----	-----	------	-----

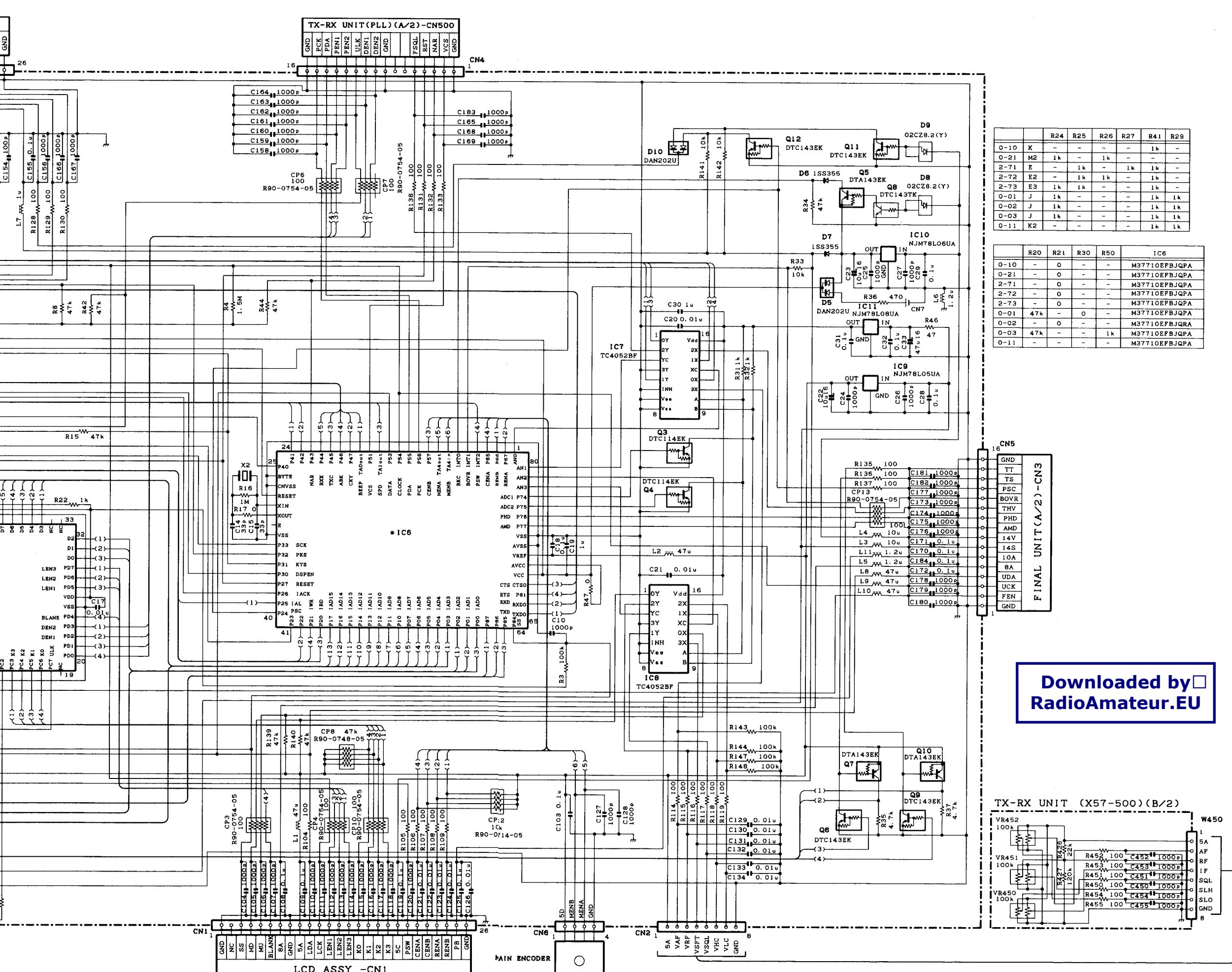
**TX-RX UNIT (PLL) (A/2) - CN500**

GND	FCK	PDA	PENI	PEN2	ULK	DEN1	DEN2	GND	FSQL	RST	NAR	YCS	GND
-----	-----	-----	------	------	-----	------	------	-----	------	-----	-----	-----	-----

**LCD ASSY - CN1**

GND	NC	SS	MU	BLANK	SA	GND	5A	LCK	LDA	LEN1	LEN2	LEN3	KO	K1	K2	K3	5C	PSW	CENA	CENB	RENA	RENB	PB	GND
-----	----	----	----	-------	----	-----	----	-----	-----	------	------	------	----	----	----	----	----	-----	------	------	------	------	----	-----

MAIN ENCODE



	R24	R25	R26	R27	R41	R29
0-10	K	-	-	-	1k	-
0-21	M2	1k	-	1k	-	-
2-71	E	-	1k	-	1k	-
2-72	E2	-	1k	1k	-	1k
2-73	E3	1k	1k	-	-	1k
0-01	J	1k	-	-	1k	1k
0-02	J	1k	-	-	1k	1k
0-03	J	1k	-	-	1k	1k
0-11	K2	-	-	-	1k	1k

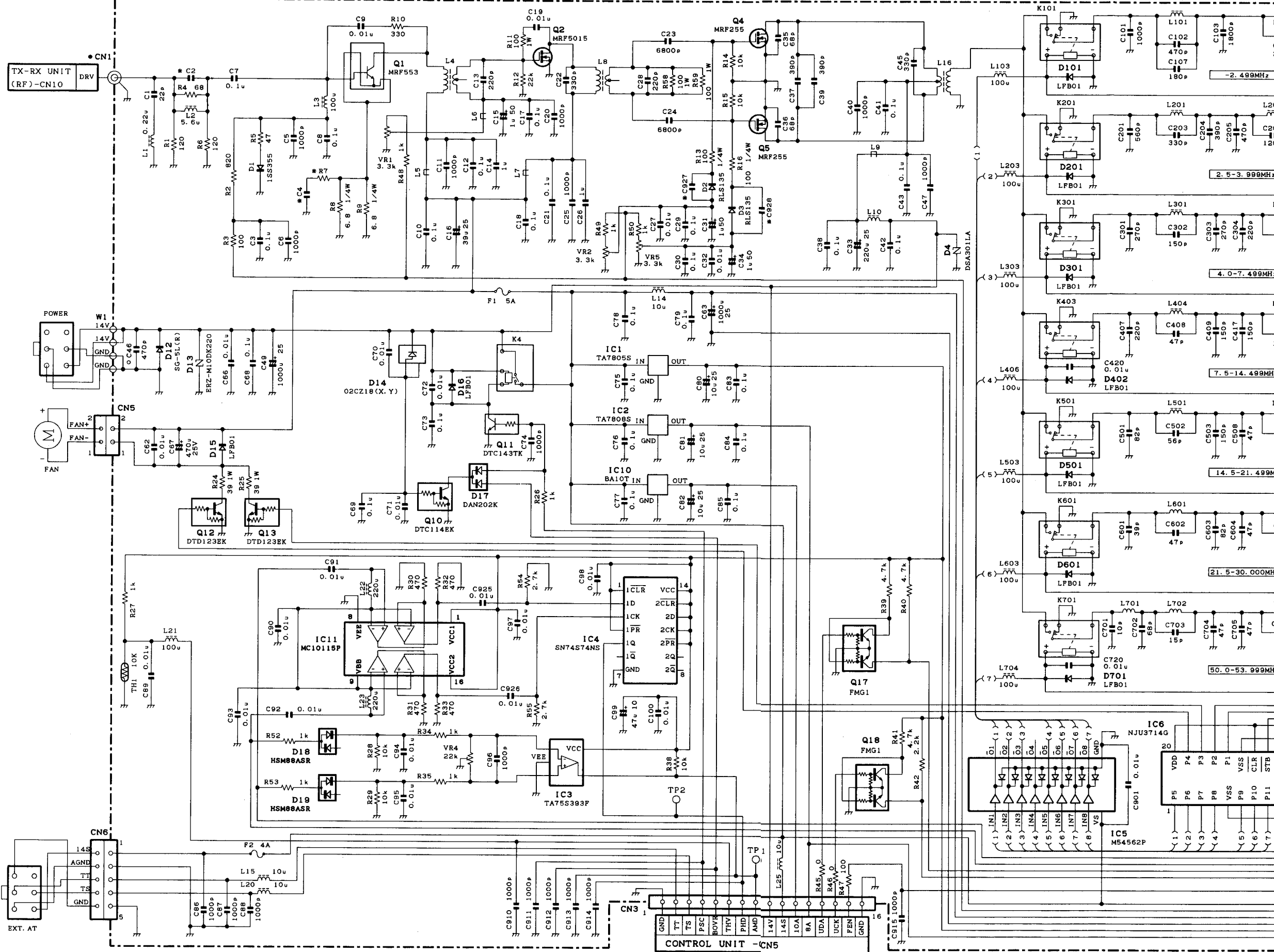
	R20	R21	R30	R50	IC6
0-10	-	0	-	-	M37710EFBJQPA
0-21	-	0	-	-	M37710EFBJQPA
2-71	-	0	-	-	M37710EFBJQPA
2-72	-	0	-	-	M37710EFBJQPA
2-73	-	0	-	-	M37710EFBJQPA
0-01	47k	-	0	-	M37710EFBJQPA
0-02	-	0	-	-	M37710EFBJQRA
0-03	47k	-	-	1k	M37710EFBJQPA
0-11	-	-	-	-	M37710EFBJQPA

Downloaded by **RadioAmateur.EU**

TS-570D/S CONTROL UNIT

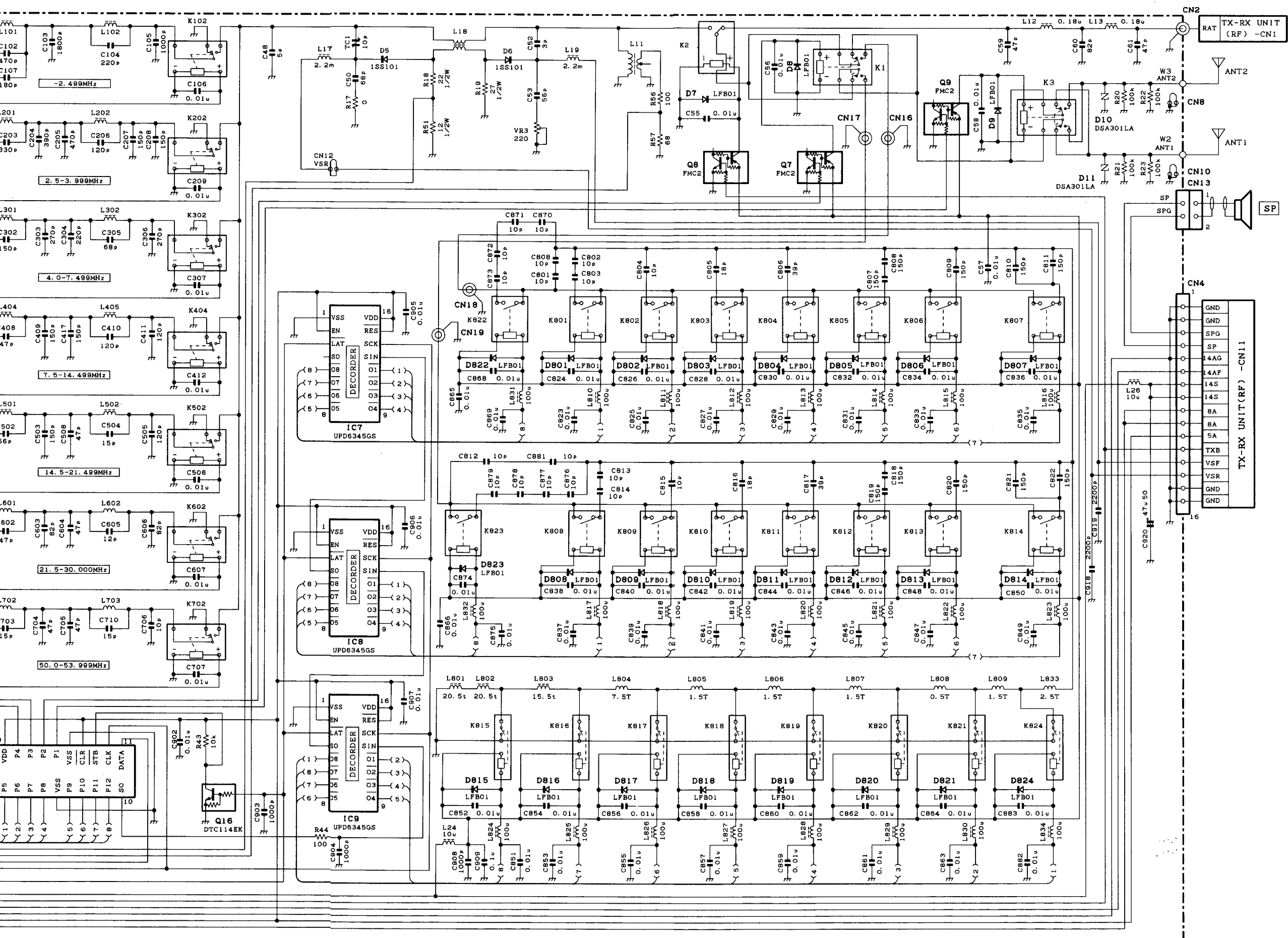
**Note:**  
Circuits are subject to change without notice due to advancements in technology.

FINAL UNIT (X45-354\*-\*\*)(A/2)



	C2	C4	C927	C928	R7
0-00	TS-570S/M	220p	820p	-	6.8
0-01	TS-570V	100p	-	0.01u	0.01u

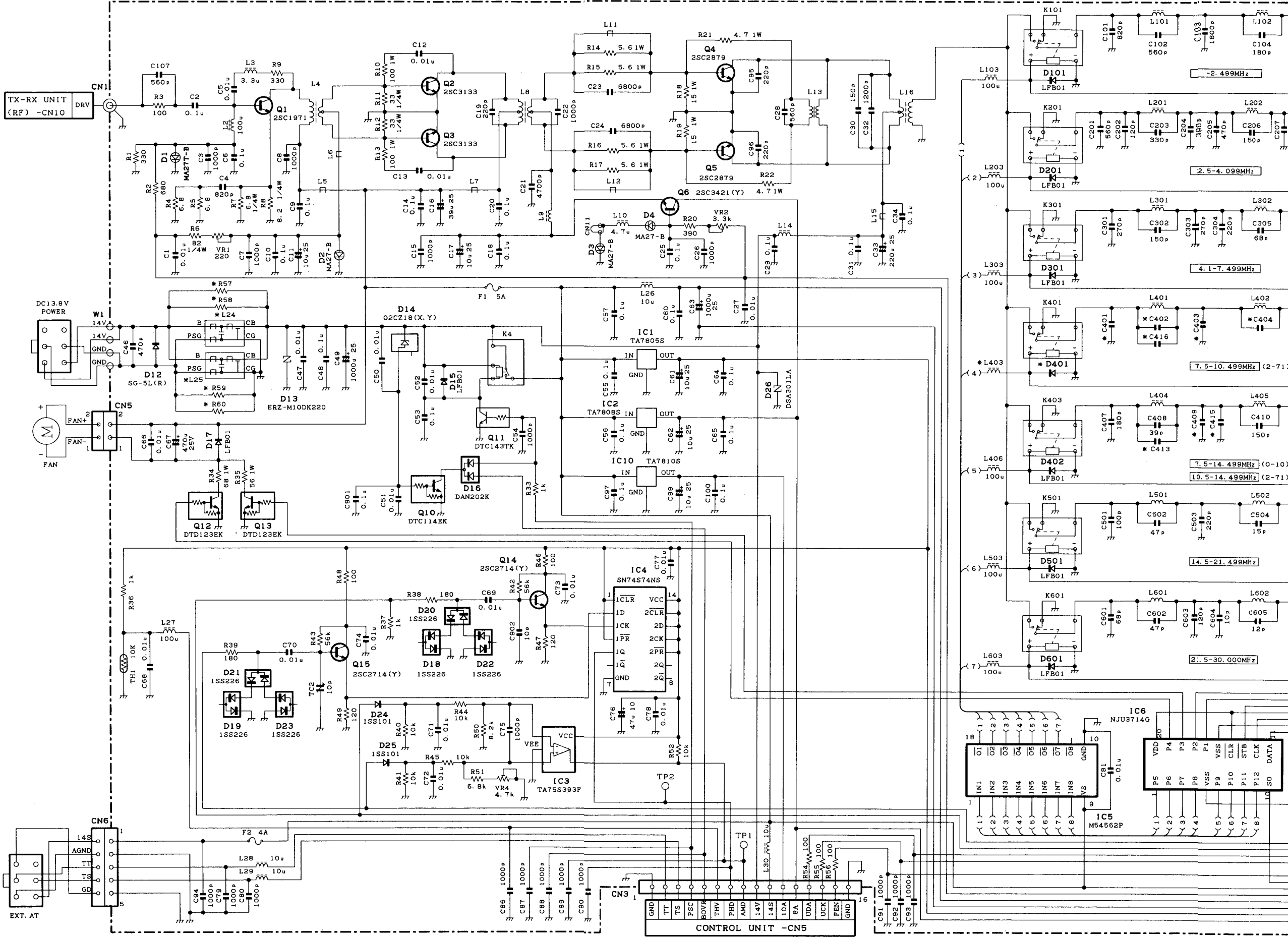
Downloaded by  RadioAmateur.EU



**Note:** Circuits are subject to change without notice due to advancements in technology.

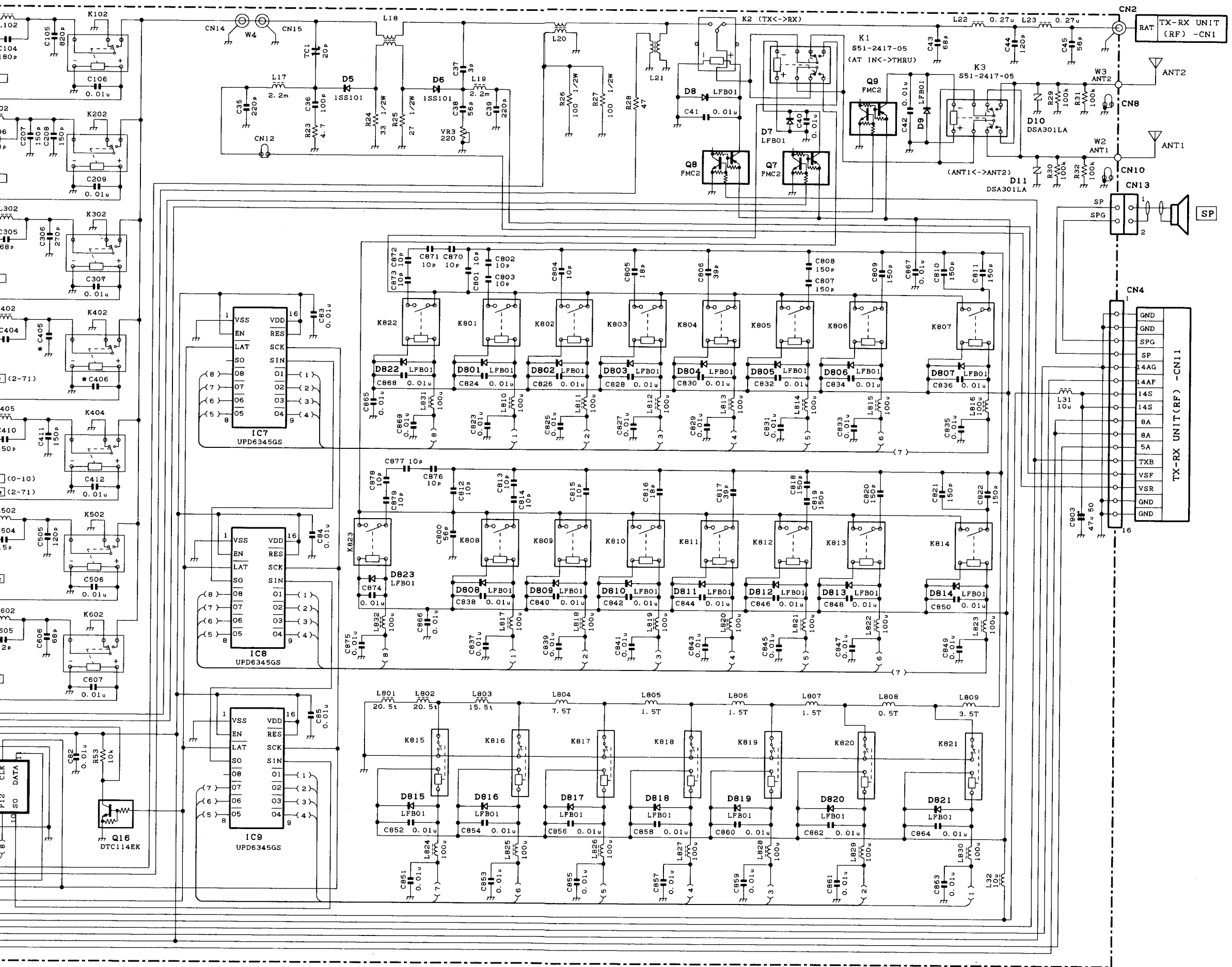


FINAL UNIT (X45-353\*-\*\*) (A/2)



0-10	K. M2	C401	C402	C403	C404	C405	C406	C409	C413	C416	C415	D401	K401	K402	L24	L25	L401	L402	R57	R58	R59	R60
2-71	E. E2, E3	180p	47p	270p	150p	150p	0.01u	330p	-	5p	-	LFB01	S54-1420-05	S54-1420-05	L79-0558-05	L79-0558-05	L39-1221-05	L39-1220-05	-	-	-	-

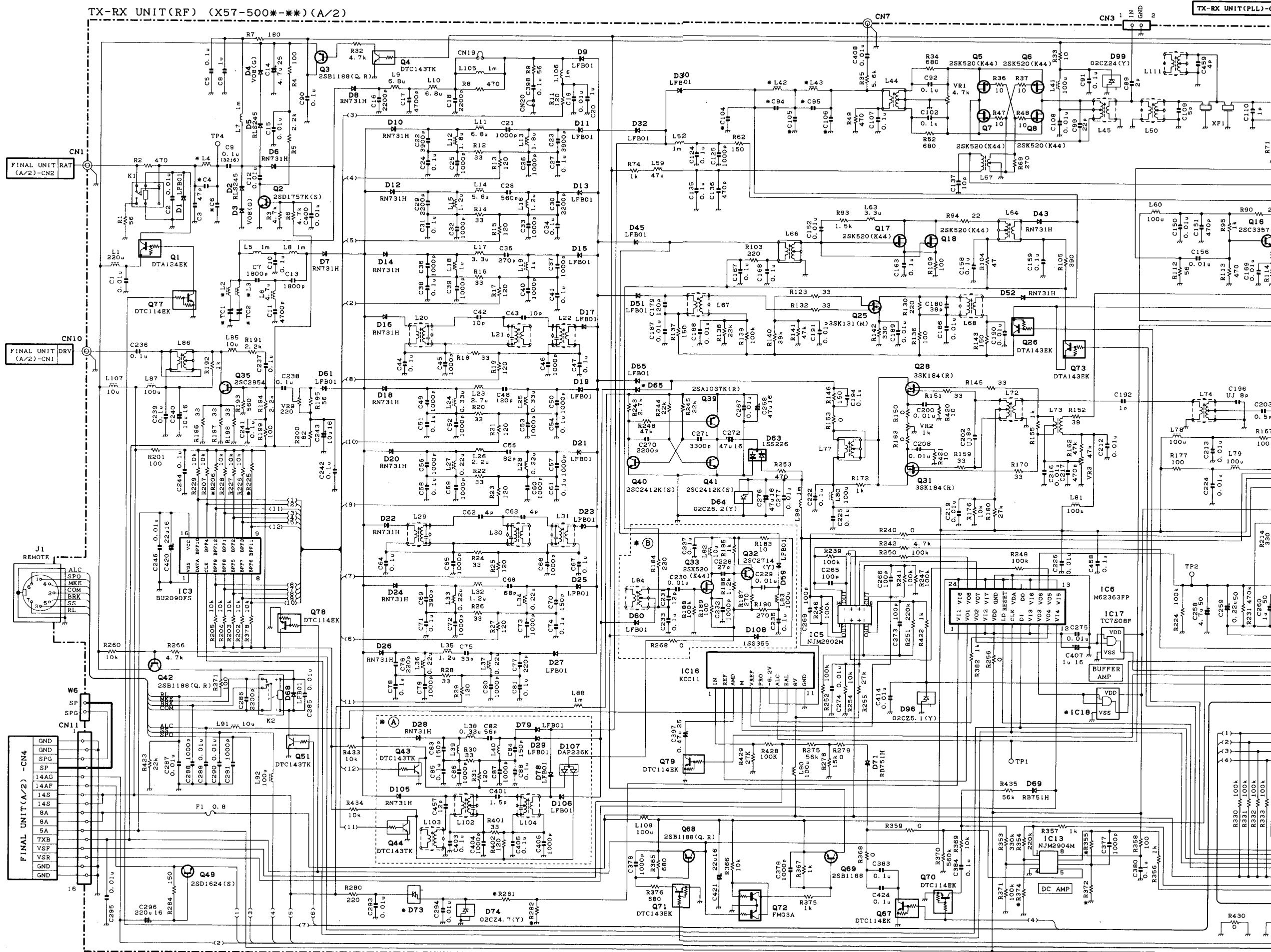
Downloaded by  
RadioAmateur.EU



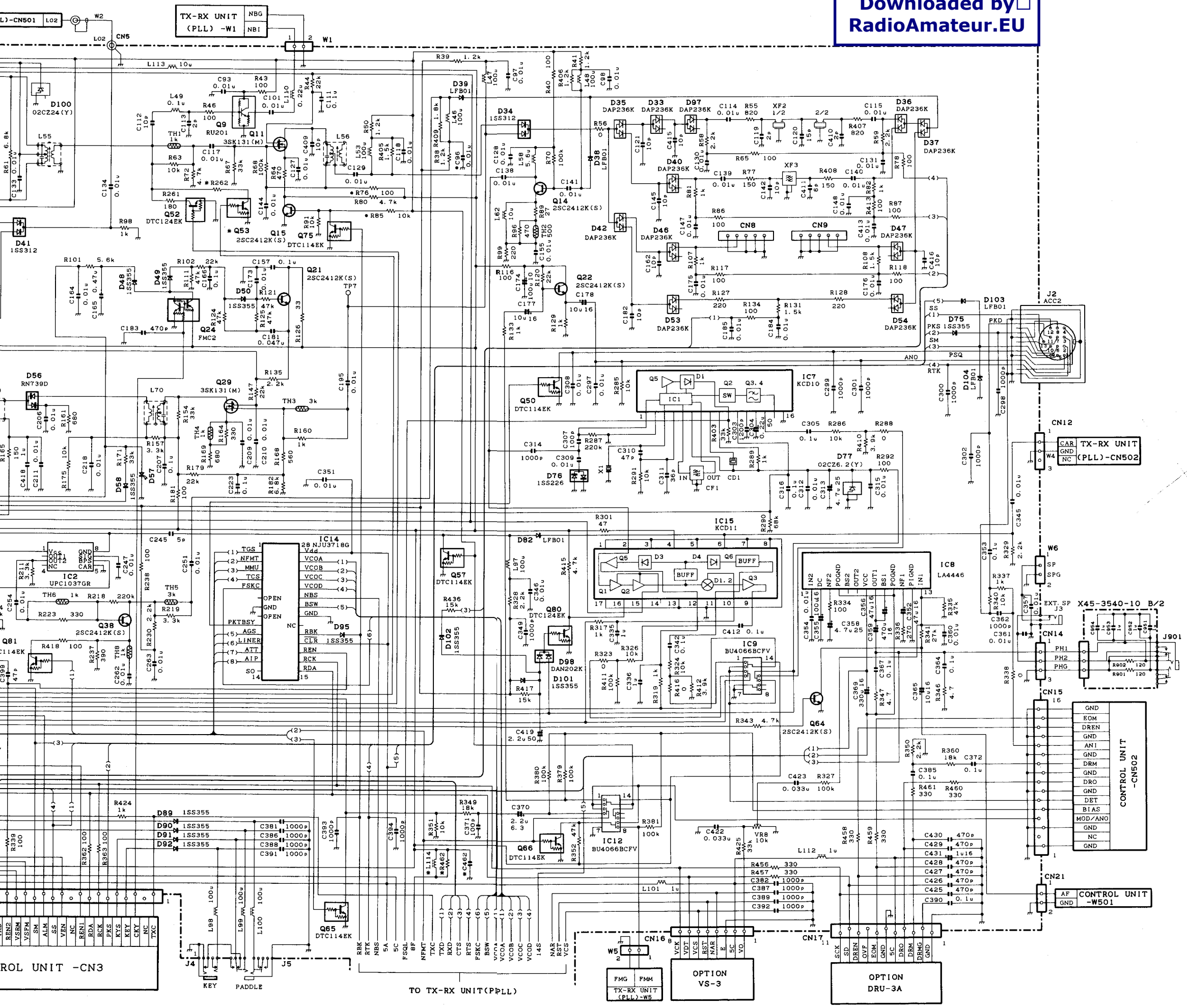
Downloaded by    
 RadioAmateur.EU

TS-570D FINAL UNIT

**Note:** Circuits are subject to change without notice due to advancements in technology.



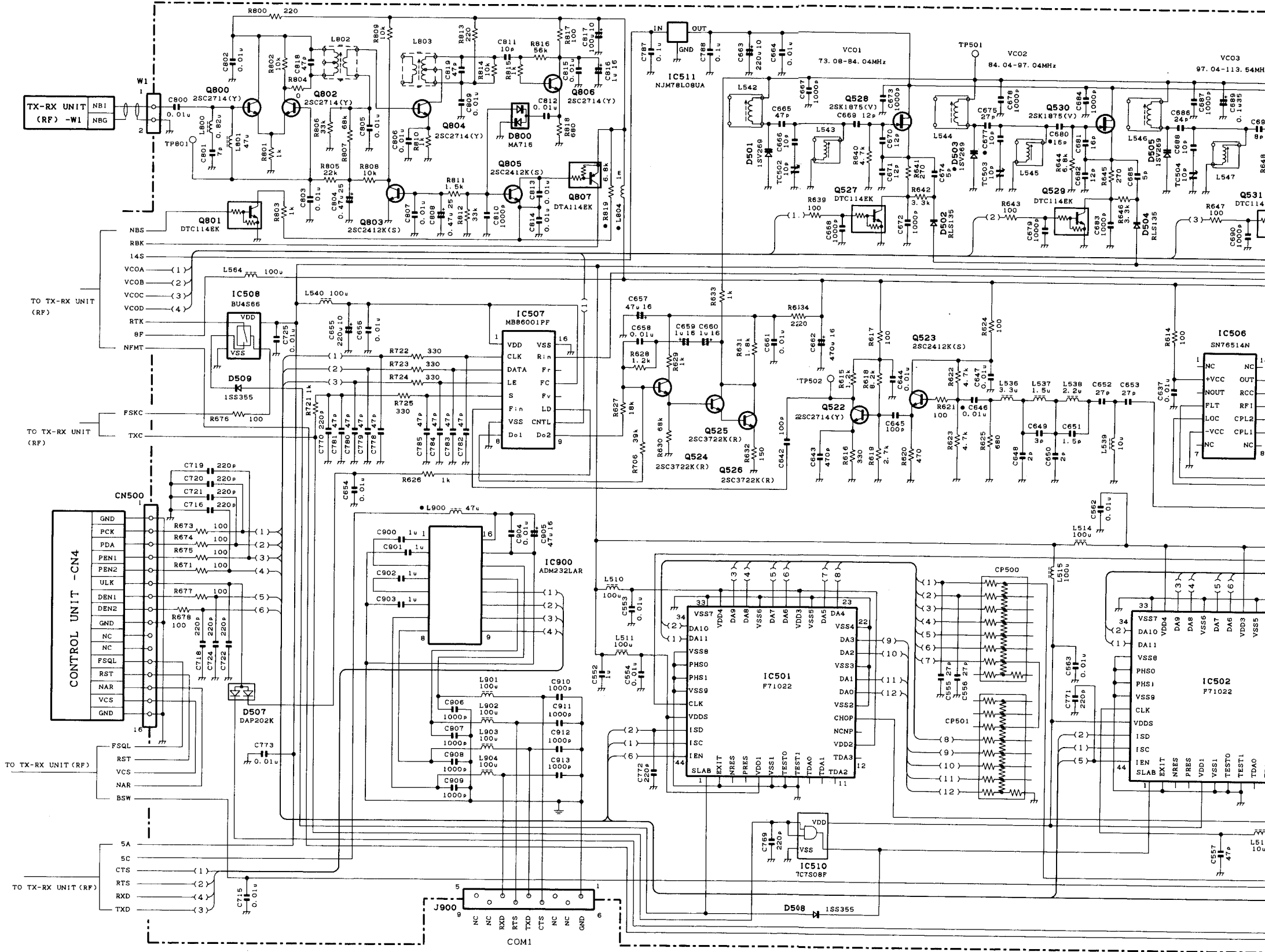
0-10	570D	K. K2	X	X	L2	L3	TC1	TC2	C4	C6	C94	C95	C104	C105	C106	D65	D73	IC18	Q53	L4	L42	L43	R206	R225	R262	R281	R282	R355	R372	R374	C462	L114	R462		
2-71	570D	E. E2, E3	X	X	6.8u	3.9u	30p	30p	7p	39p	6p	18p	68p	150p	68p						0.27u	0.27u	0.27u												
0-01	570S	J. K								47p	15p	39p	100p	82p	33p	LFB01	LFB01	TC7S08F	DTC124EK	0.18u	0.15u	0.1u	10k	10k	39	1k	560	100k	100k	100k	100k	0.01u	10u		
0-02	570V	J								47p	15p	39p	100p	82p	33p	LFB01	LFB01	TC7S08F	DTC124EK	0.18u	0.15u	0.1u	10k	10k	39	1k	220	120k	27k	27k	0.01u	10u			
0-03	570M	J								47p	15p	39p	100p	82p	33p	LFB01	LFB01	TC7S08F	DTC124EK	0.18u	0.15u	0.1u	10k	10k	39	1.5k	560	100k	100k	100k	0.01u	10u			



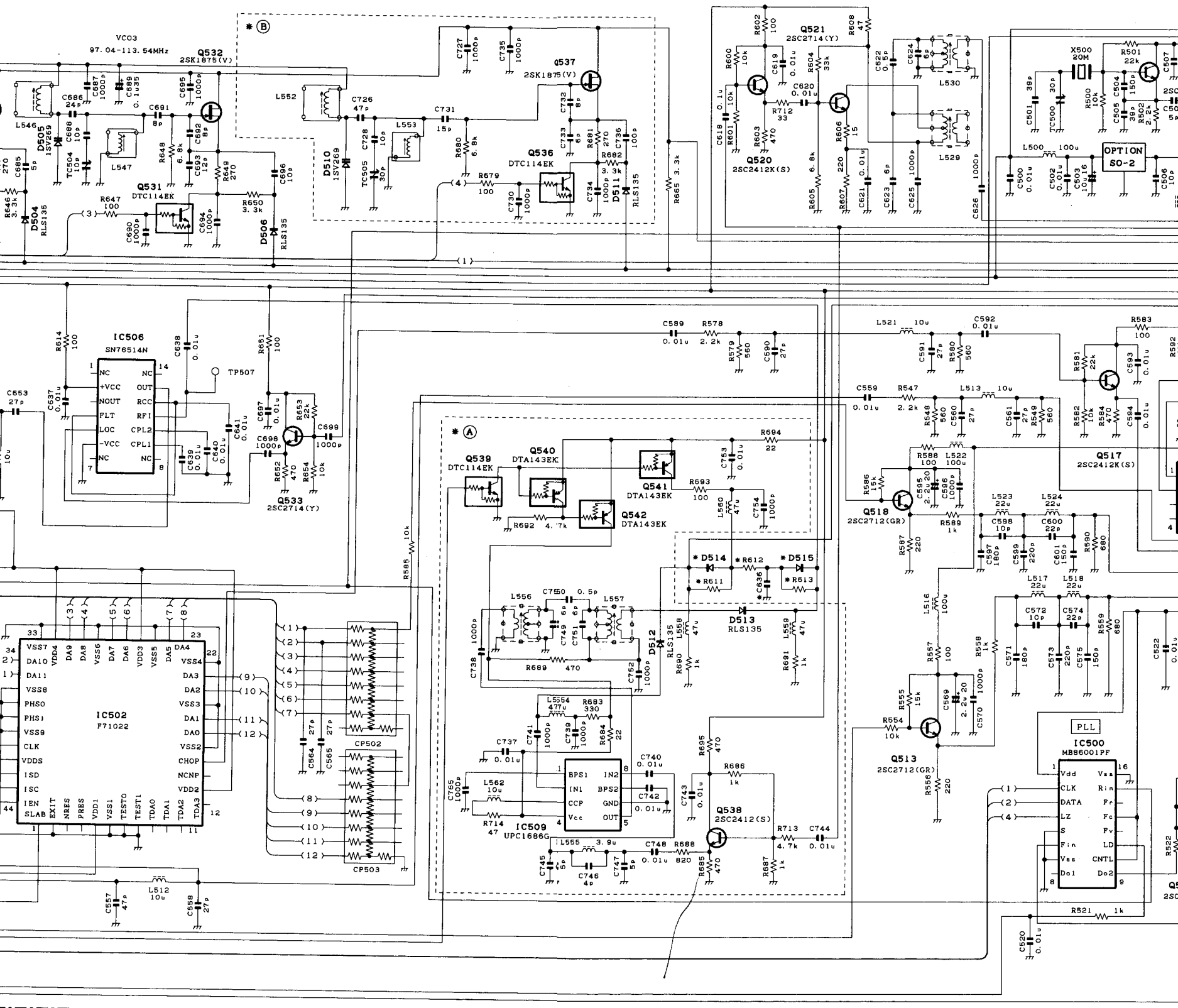
TS-570D/S TX-RX UNIT (RF)

Note: Circuits are subject to change without notice due to advancements in technology.

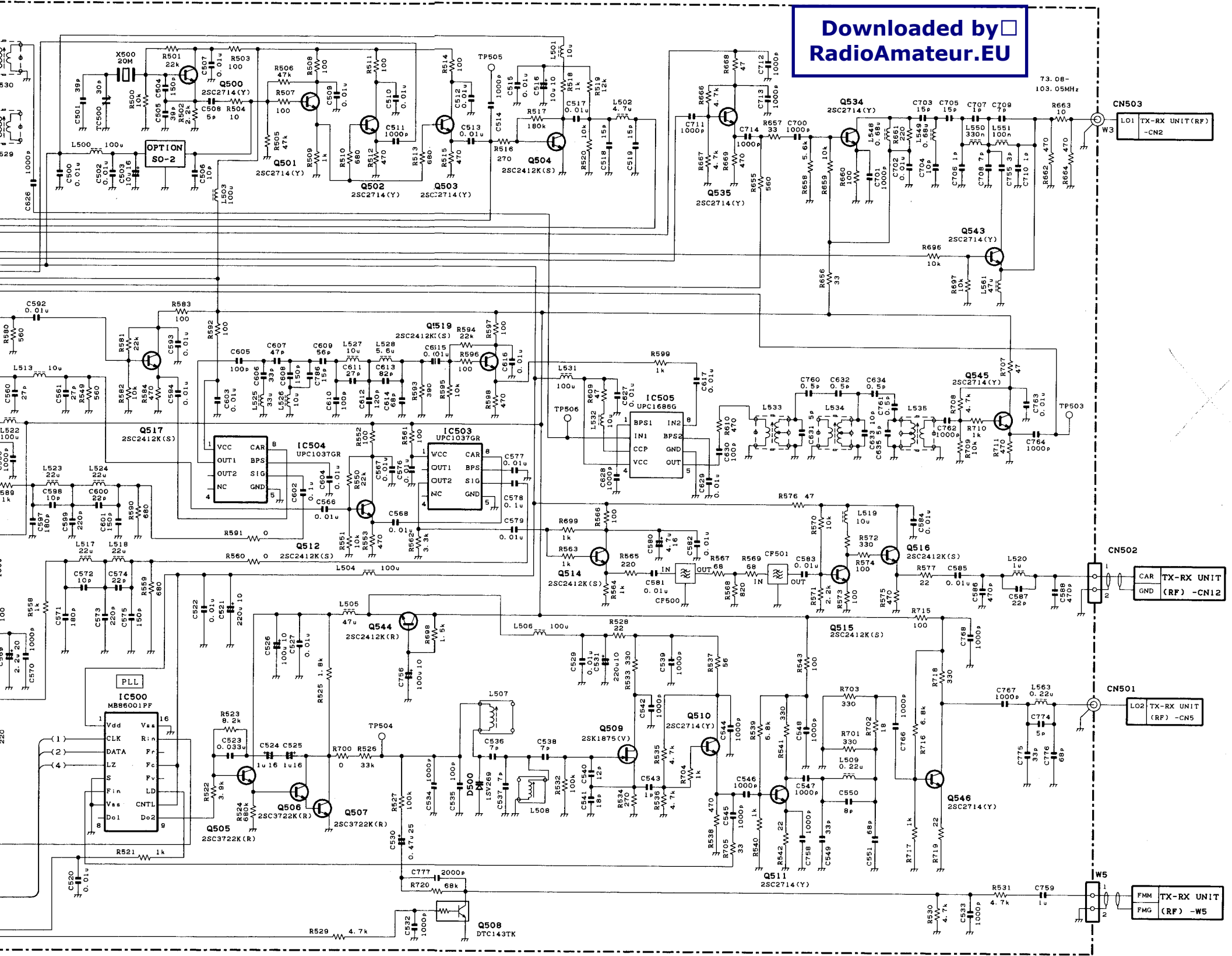
TX-RX UNIT(PLL) (X57-500\*-\*\*) (A/2)



0-10.2-71	TS-570D	⊗	⊗	0	0	0	-	-	-
0-01.0-02.0-03	TS-570S/V/M	○	○	-	220	-	RLS135	RLS135	10p



Downloaded by  RadioAmateur.EU



TS-570D/S TX-RX UNIT(PLL)

Note: Circuits are subject to change without notice due to advancements in technology.