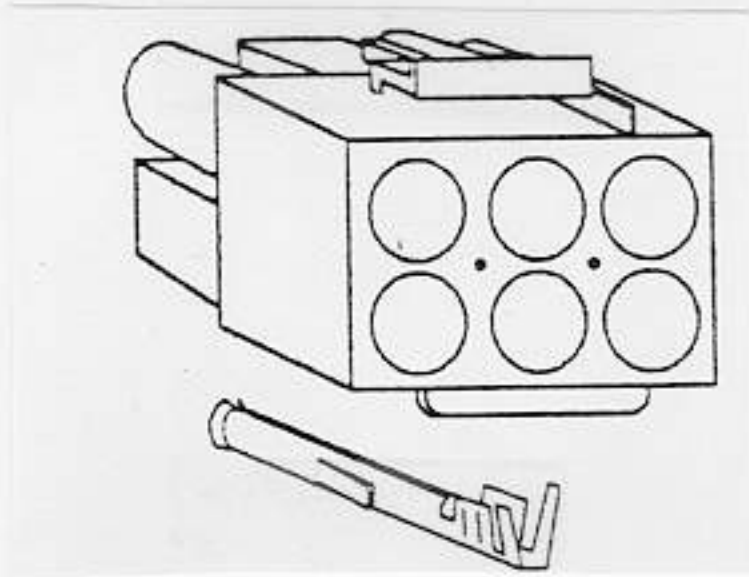


Wiring for the Kenwood HF Transceiver Power Cable

The plastic connector part number is E09-0671-05

The pin part number is E23-0418-05



Picture below shows you the view from the back of the HF transceiver

