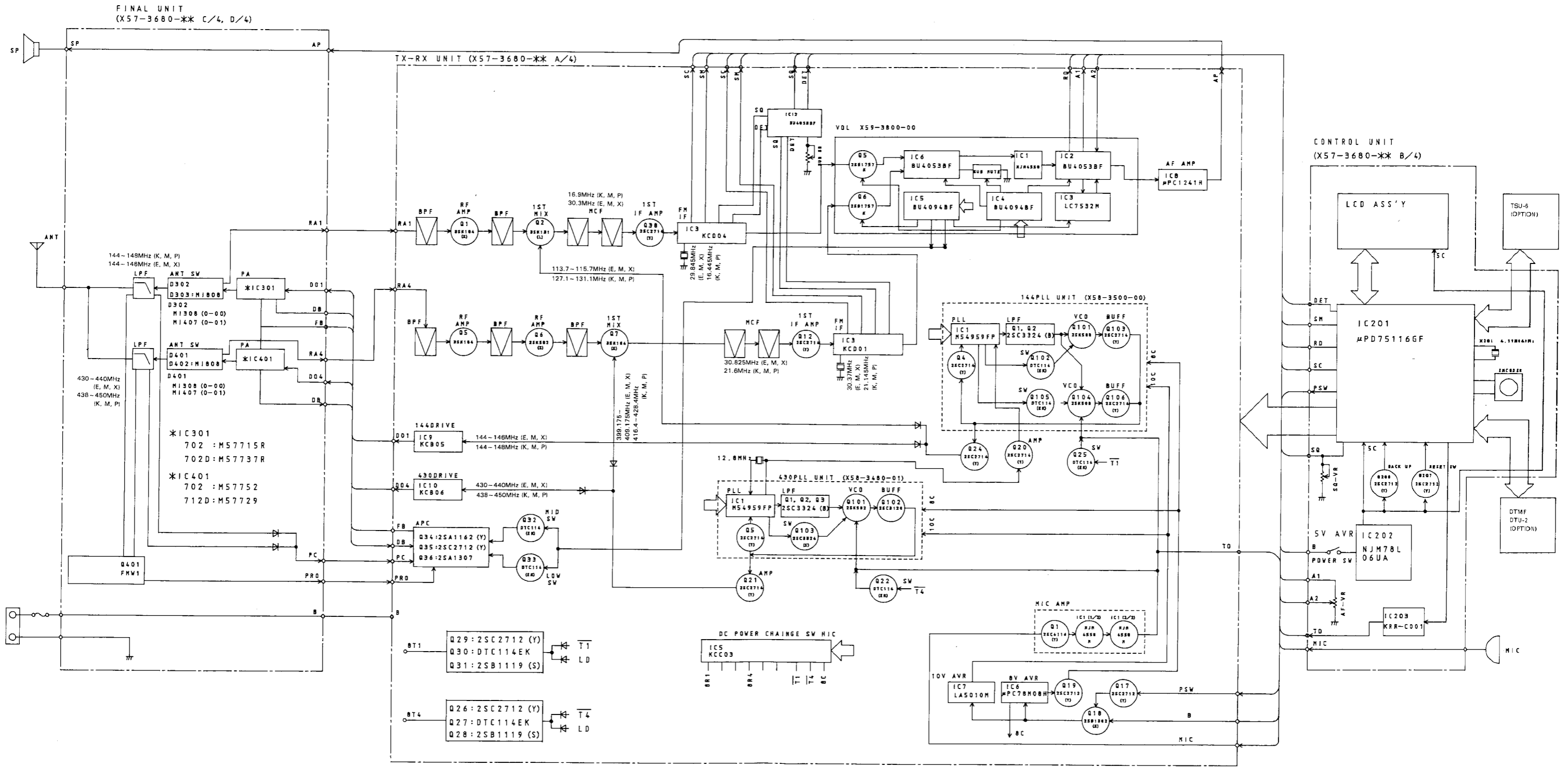


5. BLOCK DIAGRAM AND SCHEMATIC DIAGRAM

Downloaded by RadioAmateur.EU



Note: Circuit is subject to change without notice due to advancements in technology.

