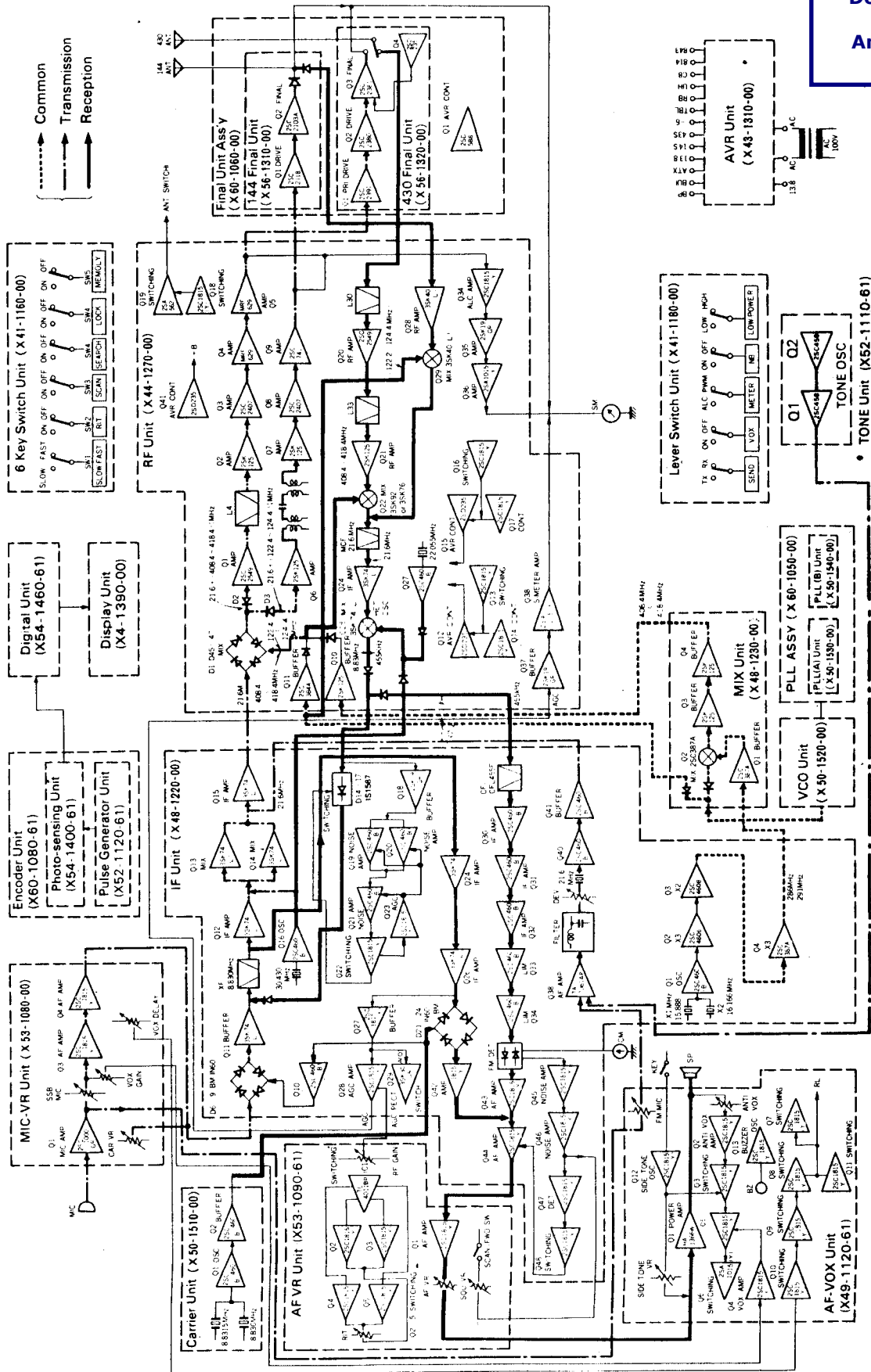
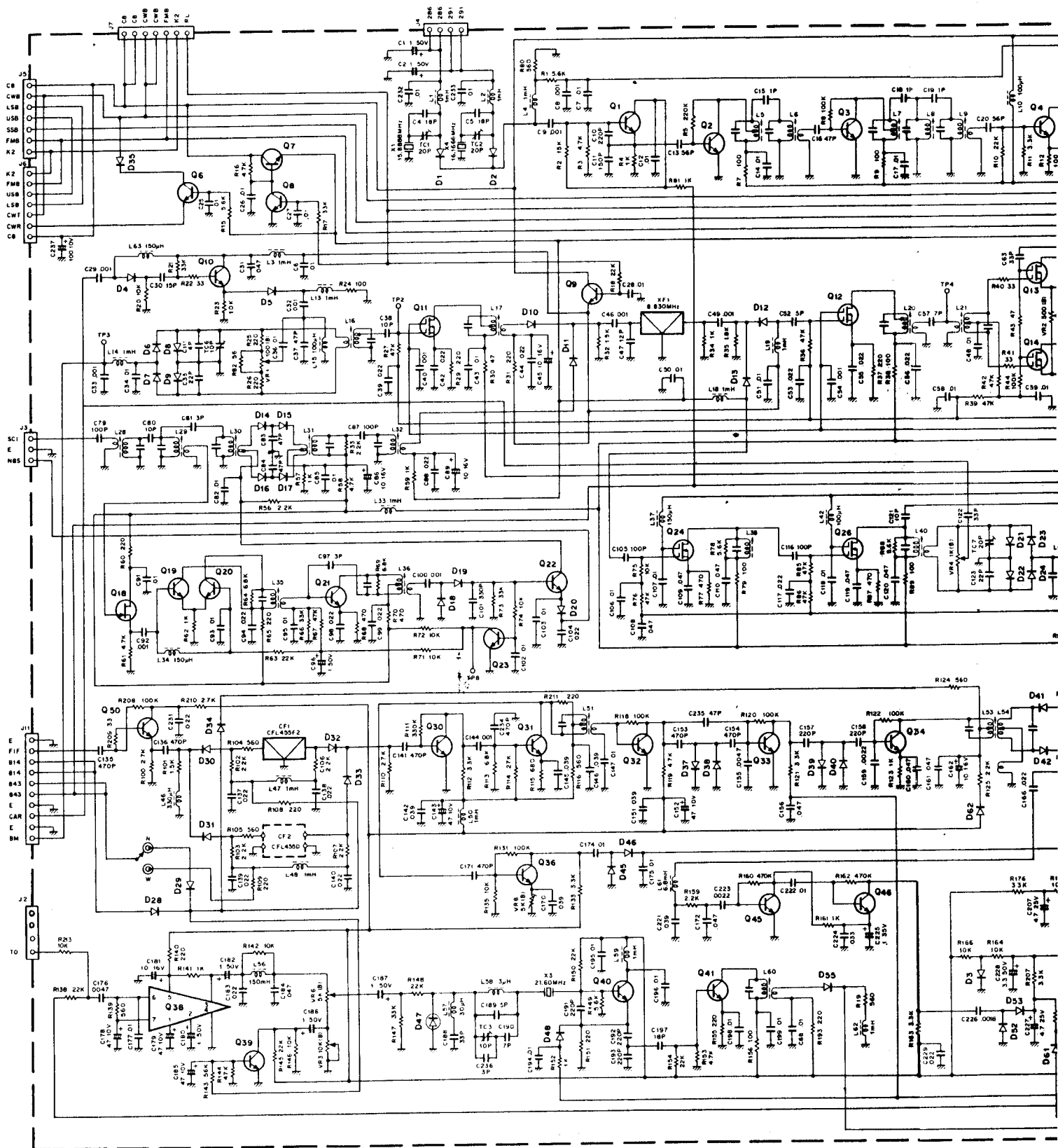


BLOCK DIAGRAM

Downloaded by

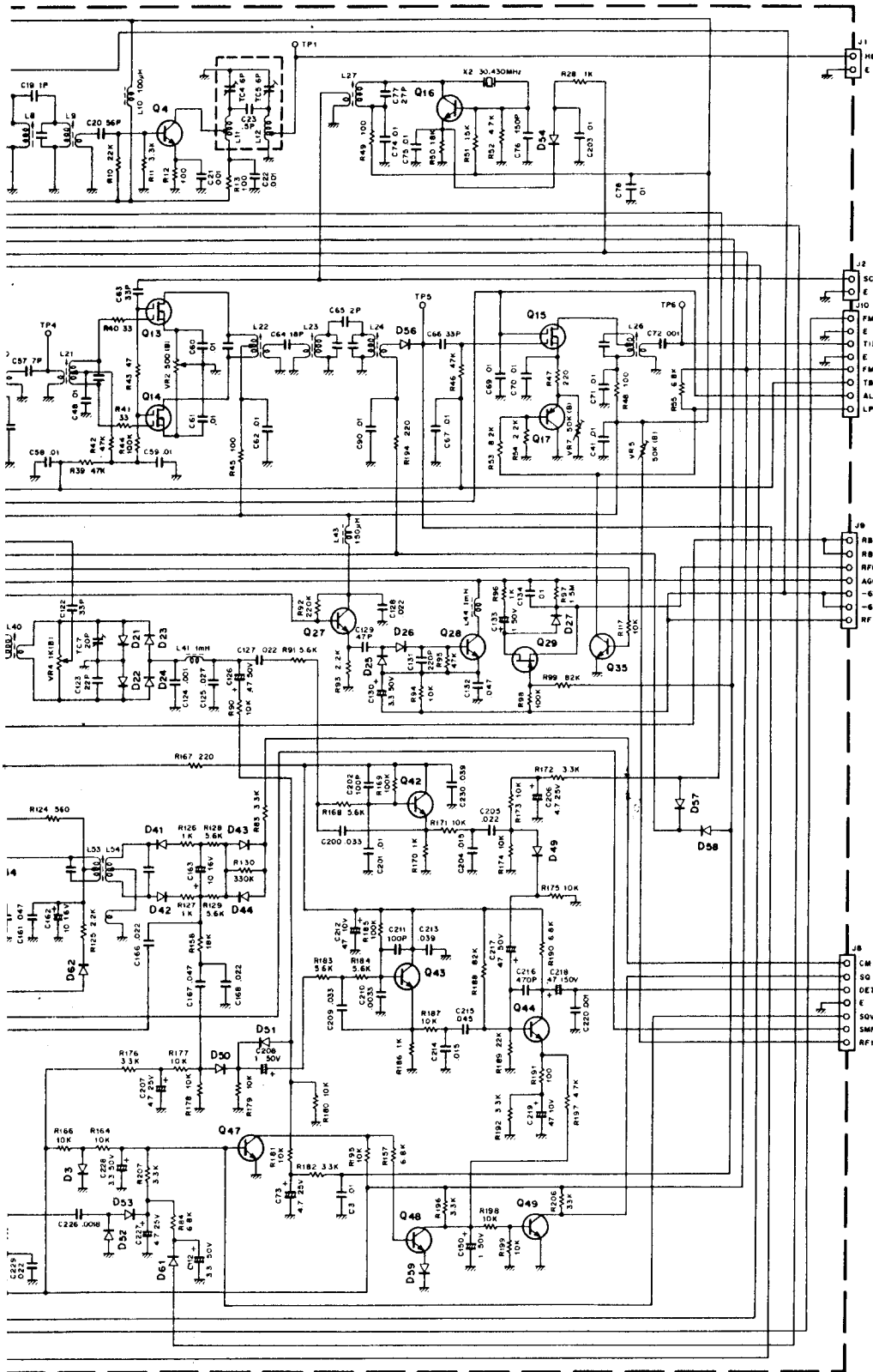
 Amateur Radio
 Directory



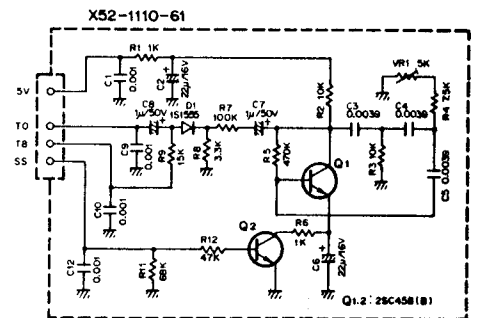


RAM (IF Unit) (TONE Unit)

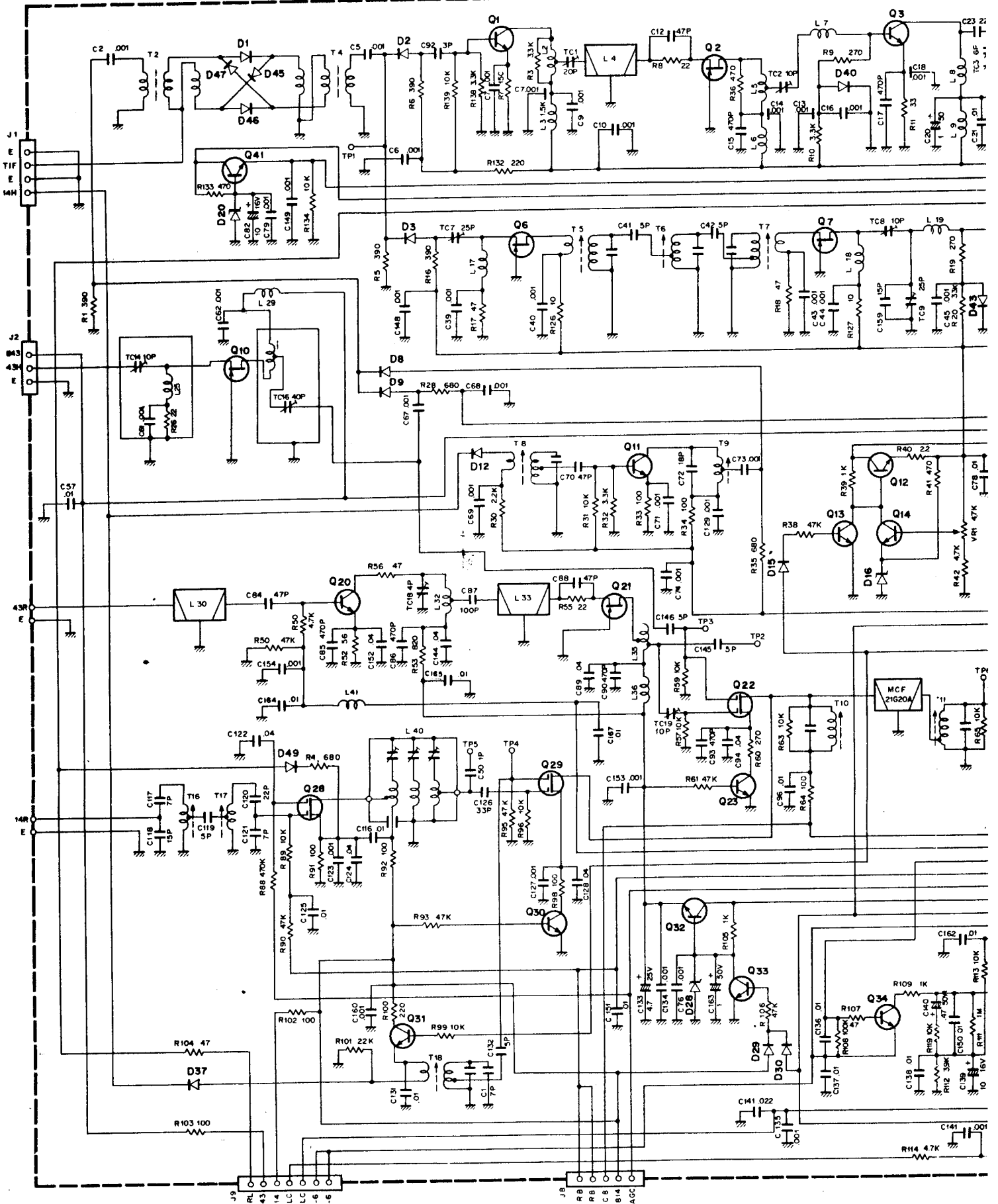
Downloaded by □
Amateur Radio Directory



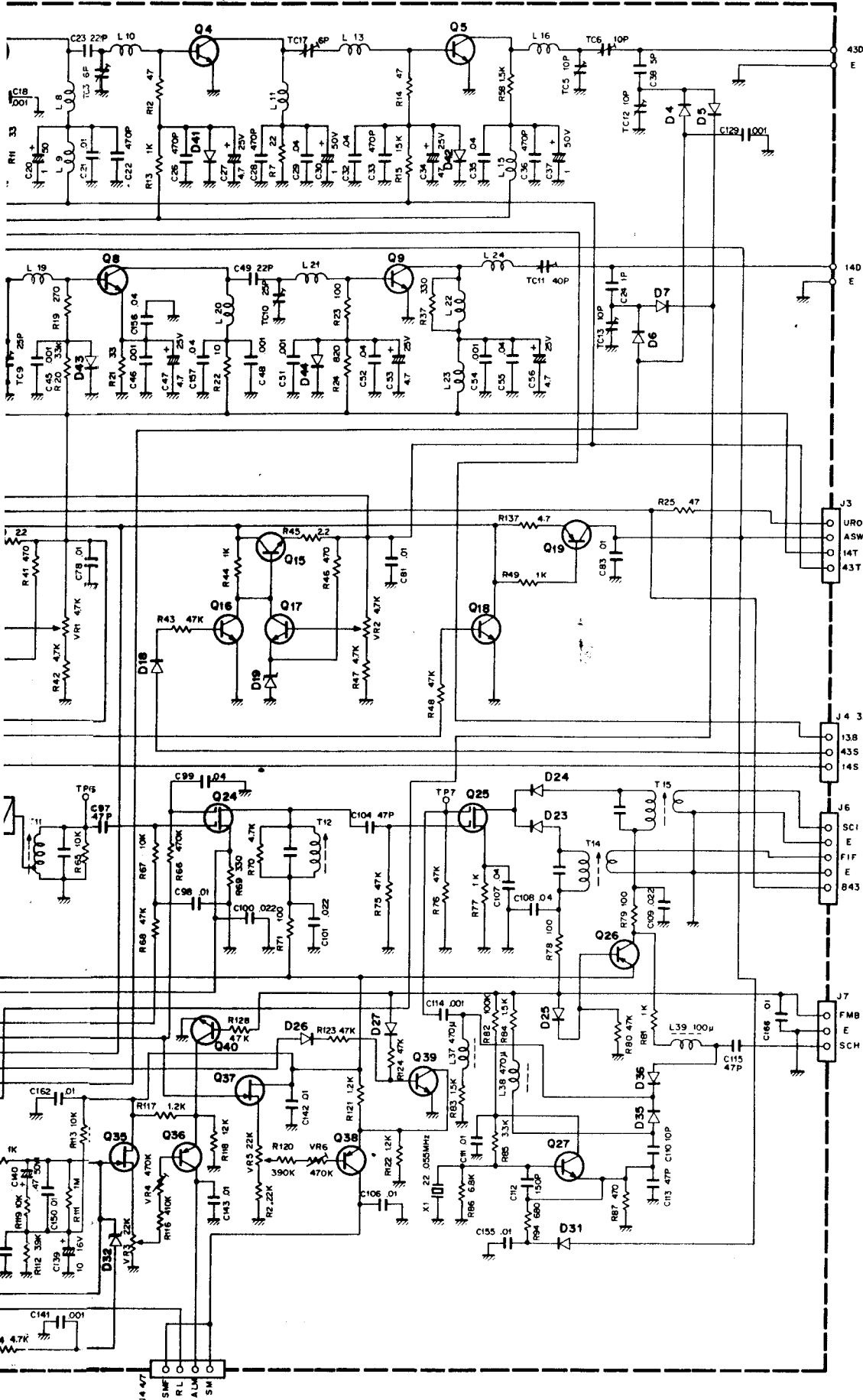
- Q1,10,16,19,20,21,30,31,32,33,34,36
37,40,41,50 : 2SC460 (B)
- Q2,3 : 2SC388A
- Q4 : 2SC387A
- Q5,6,7,8,9,22,23,27,28,39,42,43,44
45,46,47,48,49 : 2SC1815 (Y)
- Q11,13,14,15,24,26,12 : 3SK74 (L)
- Q17 : 2SA1015 (Y)
- Q18 : 2SK19 (GR)
- Q29 : 2SK30A (O)
- Q38 : TA7061AP
- D1,2,5,10,11,12,13,14,15,16,17,30,31
32,33 : 1S1587
- D3 : 1S1212
- D4,27,28,29,34,35,49,37,38,39,40
48,50,51,54,55,56,57,58,59,62 : 1S1555
- D6,7,8,9,18,19,21,22,23,24,25,26
41,42,43,44,45,46,52,53,61 : 1N60
- D20 : MV-13
- D47 : 1S2208



SCHEMATIC DIAGRA



AGRAM (RF Unit)

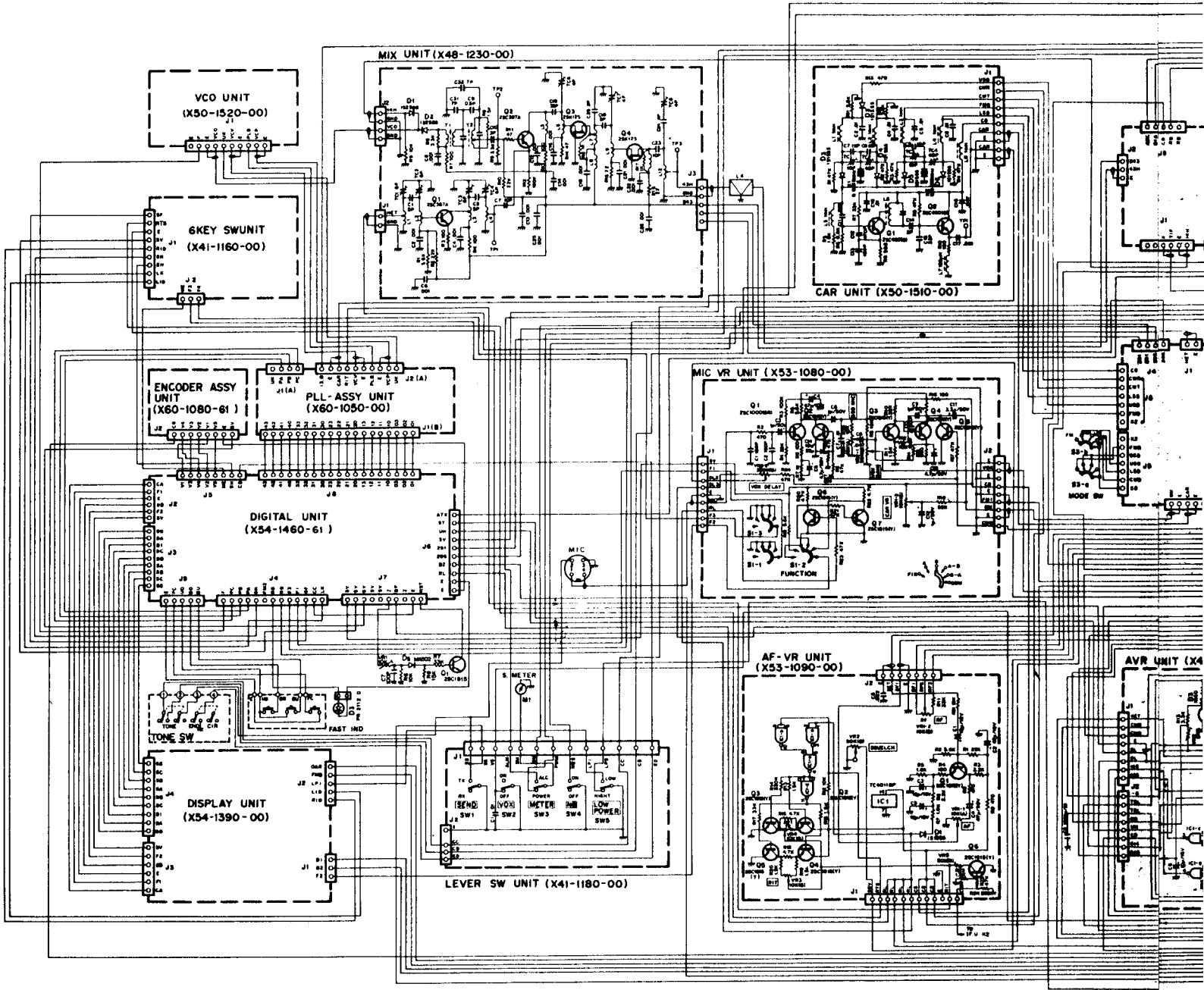


- | | |
|--------------------|------------------|
| Q2,6,7,10,21 | : 2SK125 |
| Q3,8 | : 2SC2407 |
| Q4,5 | : MRF629 |
| Q9 | : 2SC741 |
| Q11 | : 2SC387A |
| Q12,15,41 | : 2SD235 |
| Q13,14,16~18,23 | |
| 30,31,33,34,39,40 | : 2SC1815(Y) |
| Q19 | : 2SA562(Y) |
| Q1,20 | : 2SC2549 |
| Q22 | : 3SK92 or 3SK76 |
| Q24,25 | : 3SK74(L) |
| Q26~36,38 | : 2SA1015(Y) |
| Q27 | : 2SC460(B) |
| Q28,29 | : 3SK40(L) |
| Q32 | : 2SC735(Y) |
| Q35,37 | : 2SK19(GR) |
| | |
| D1,45~47 | : 1SS97 |
| D2,3,9~11 | : 1S2588 |
| D4~7,25 | : 1N60 |
| D8,12,23,24,35~37 | : 1S1587 |
| D15,18,26,27,29~31 | |
| 41,42,44,49 | : 1S1555 |
| D16,19,32 | : XZ060 |
| D20 | : XZ132 |
| D28 | : XZ117 |
| D40,43 | : MU13 |

TS-770 SCHEMATIC

Downloaded by

Amateur Radio Directory



HEMATIC DIAGRAM

The schematics and specifications are subject to change without notice for improvement.

