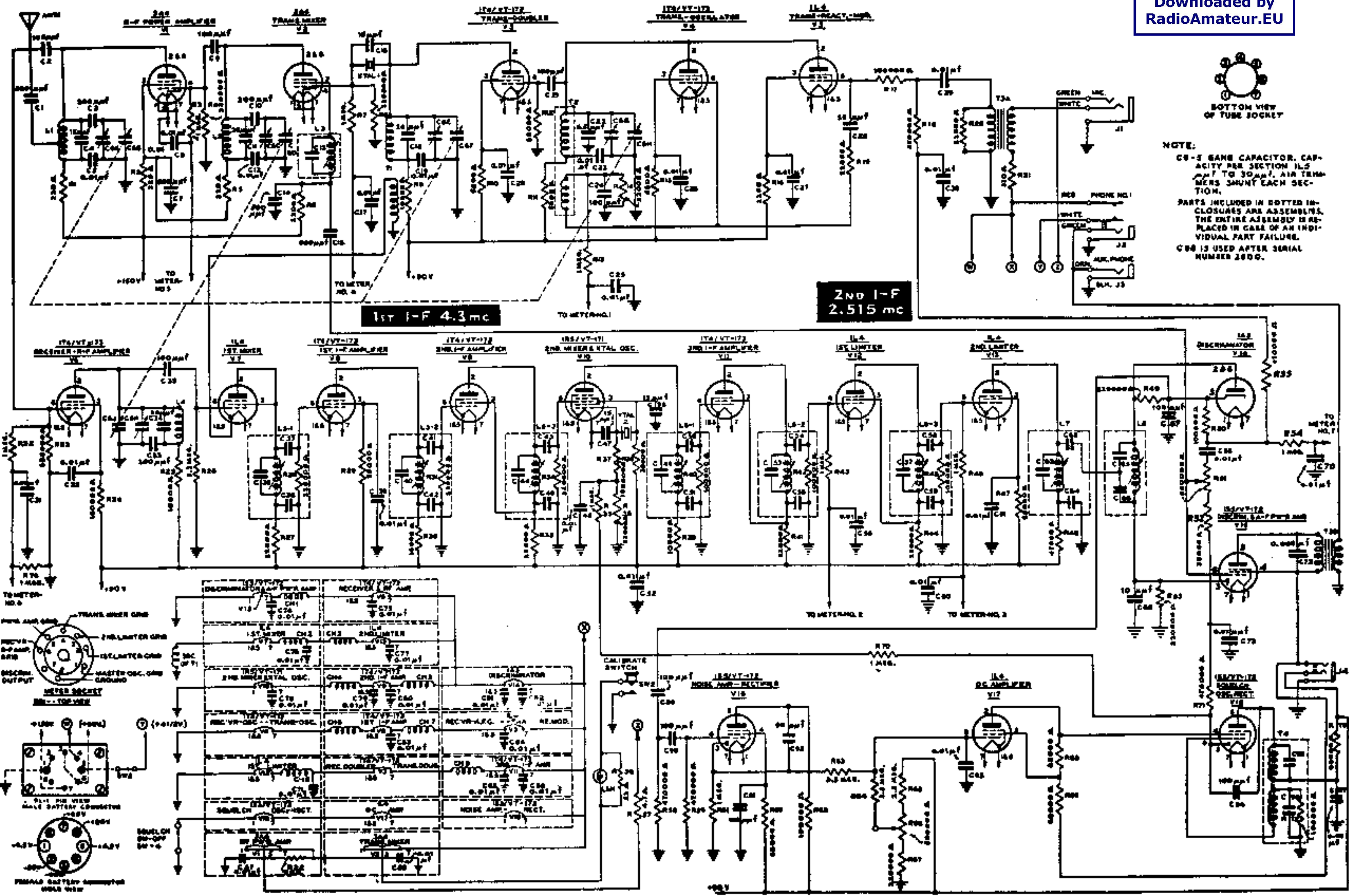


# SCHEMATIC OF RECEIVER AND TRANSMITTER

Downloaded by  
RadioAmateur.EU



**NOTE:**  
 C8-5 MMB CAPACITOR, CAPACITY PER SECTION 1/5 μF TO 30 μF, AIR TERMINALS SAUNT EACH SECTION.  
 PARTS INCLUDED IN DOTTED ENCLOSURES ARE ASSEMBLED. THE ENTIRE ASSEMBLY IS REPLACED IN CASE OF AN INDIVIDUAL PART FAILURE.  
 C80 IS USED AFTER SERIAL NUMBER 2800.

