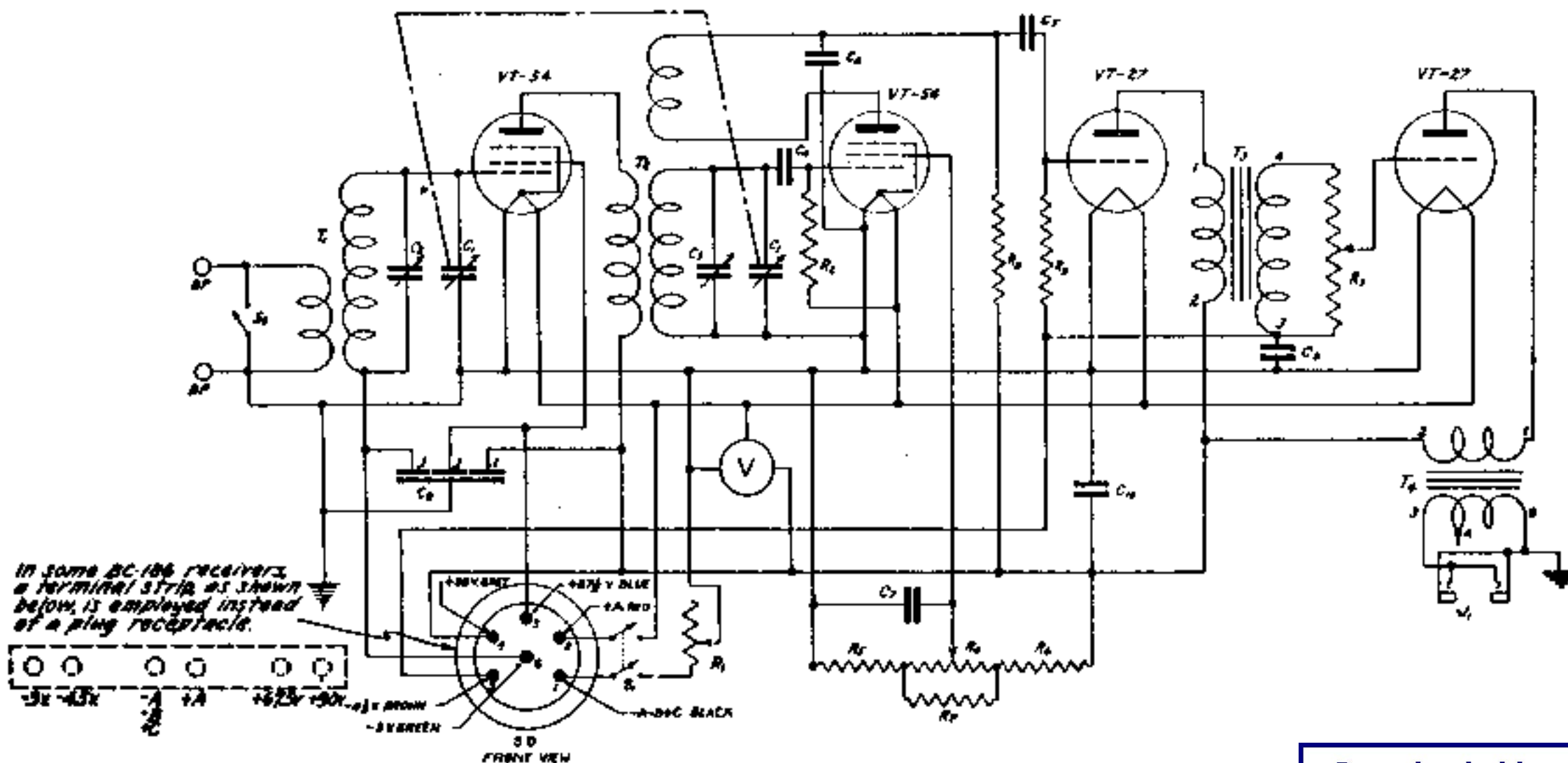


SCHEMATIC DIAGRAM



Downloaded by
RadioAmateur.EU

APPARATUS LEGEND

C₁ CAPACITOR CA-233, TUNING, 2 UNIT, 135 μ f EA
C₂ CAPACITOR CA-253, TRIMMING, 75 μ f MAX
C₃ CAPACITOR CA-253, TRIMMING, 75 μ f MAX
C₄ CAPACITOR CA-216, GRID, 150 μ f
C₅ CAPACITOR CA-197, COUPLING, .01 μ f
C₆ CAPACITOR CA-153, BY-PASS, 250 μ f
C₇ CAPACITOR CA-234, BY-PASS, 1 μ f
C₈ CAPACITOR CA-184, BY-PASS, 3 UNIT, .1 μ f EA
C₉, C₁₀ CAPACITORS CA-243, BY-PASS, .5 μ f

T₁ COIL C-135, 1 μ t R.F.
T₂ COIL C-134, DETECTOR
T₃ TRANSFORMER C-65, A.F.
T₄ TRANSFORMER C-124, OUTPUT
S₁ SWITCH SW-116, FIL
S₂ SWITCH SW-105, ANT
S₀ SOCKET SO-34,
R₁ RHEOSTAT RS-106
R₂ RESISTOR RS-142, GRID LEAK, 2 MEG
R₃ POTENTIOMETER RS-144, VOL CONTROL, 500000 Ω

R₄ POTENTIOMETER RS-107, REG CONTROL, 100000 Ω
R₅ RESISTOR RS-129, 10000 Ω
R₆ RESISTOR RS-148, 200000 Ω
R₇ RESISTOR RS-149, 40000 Ω
R₈ RESISTOR RS-150, 100000 Ω
R₉ RESISTOR RS-134, 1 MEG
J₁ JACK JK-30, HEADSET
BP BINDING POST TM-152
V VOLTMETER IS-117