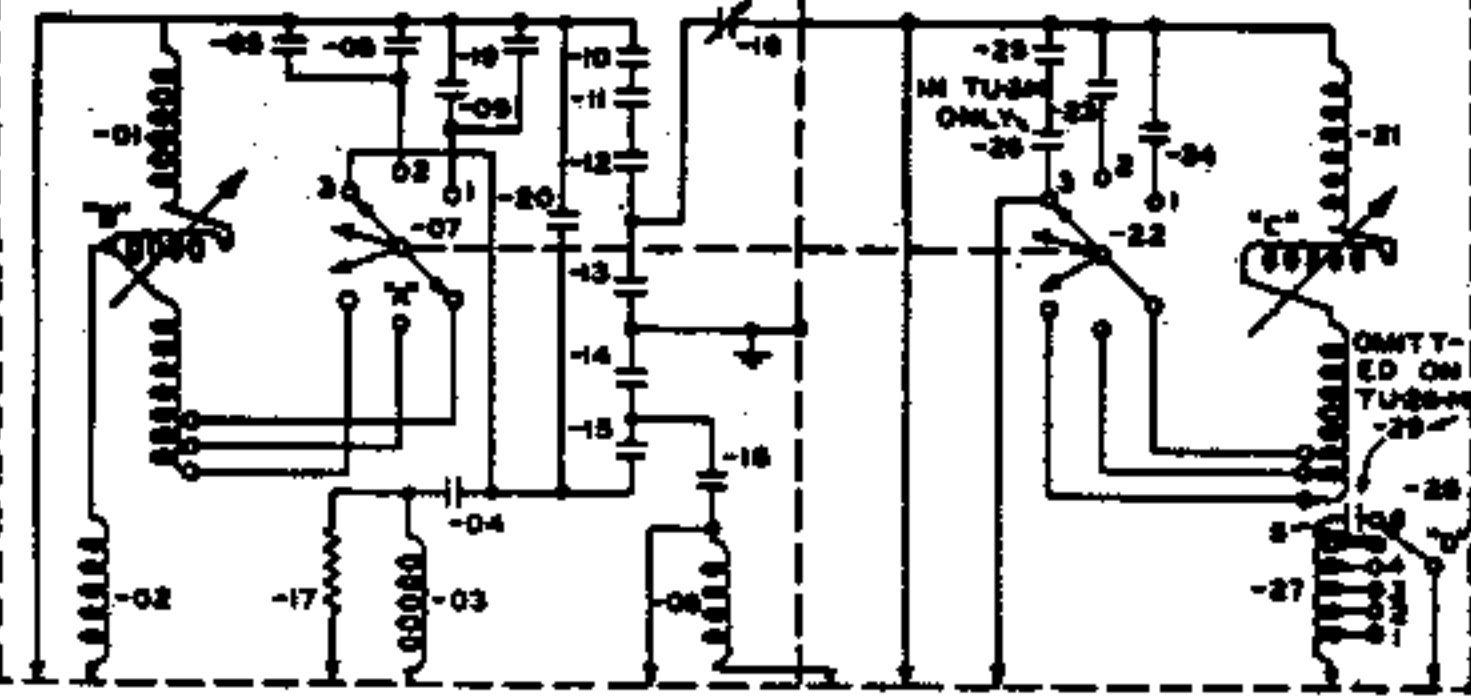
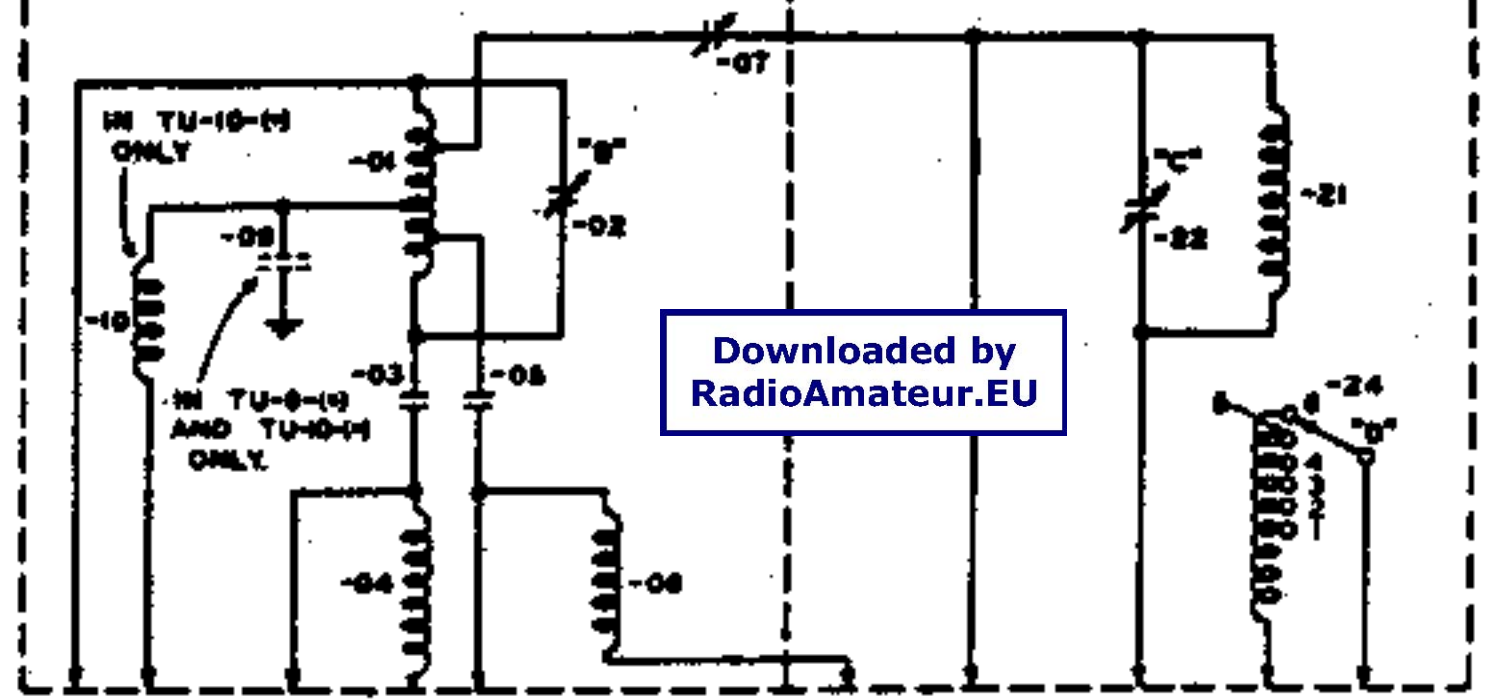


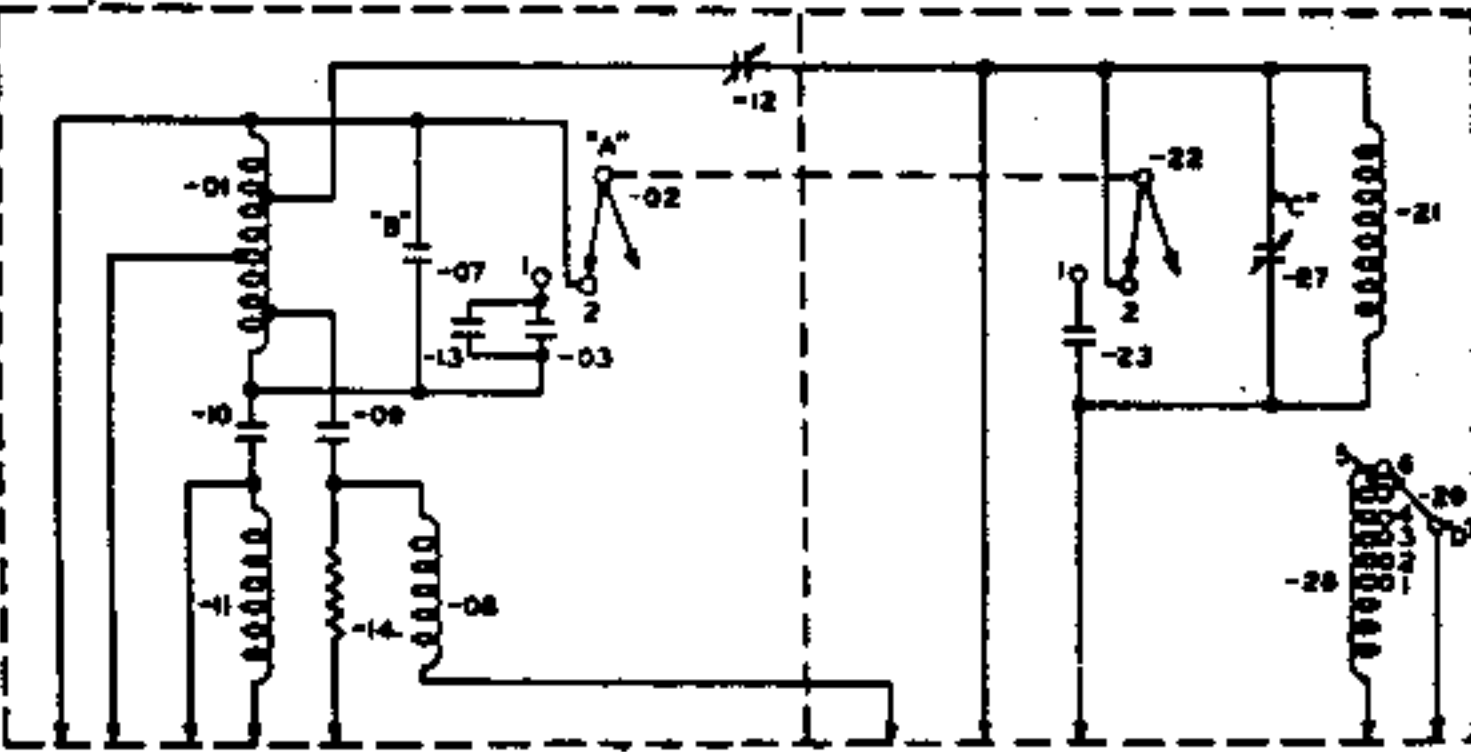
FOR COMPLETE REF. NUMBER IN ANY OF TUNING UNITS BELOW SUBSTITUTE NUMBER FOR DASH PRECEDING NUMBER INDICATED FOR A GIVEN PART. FOR EXAMPLE, PART "17" WOULD BE "317" FOR TU-3-(\*) AND "217" FOR TU-22-(\*)



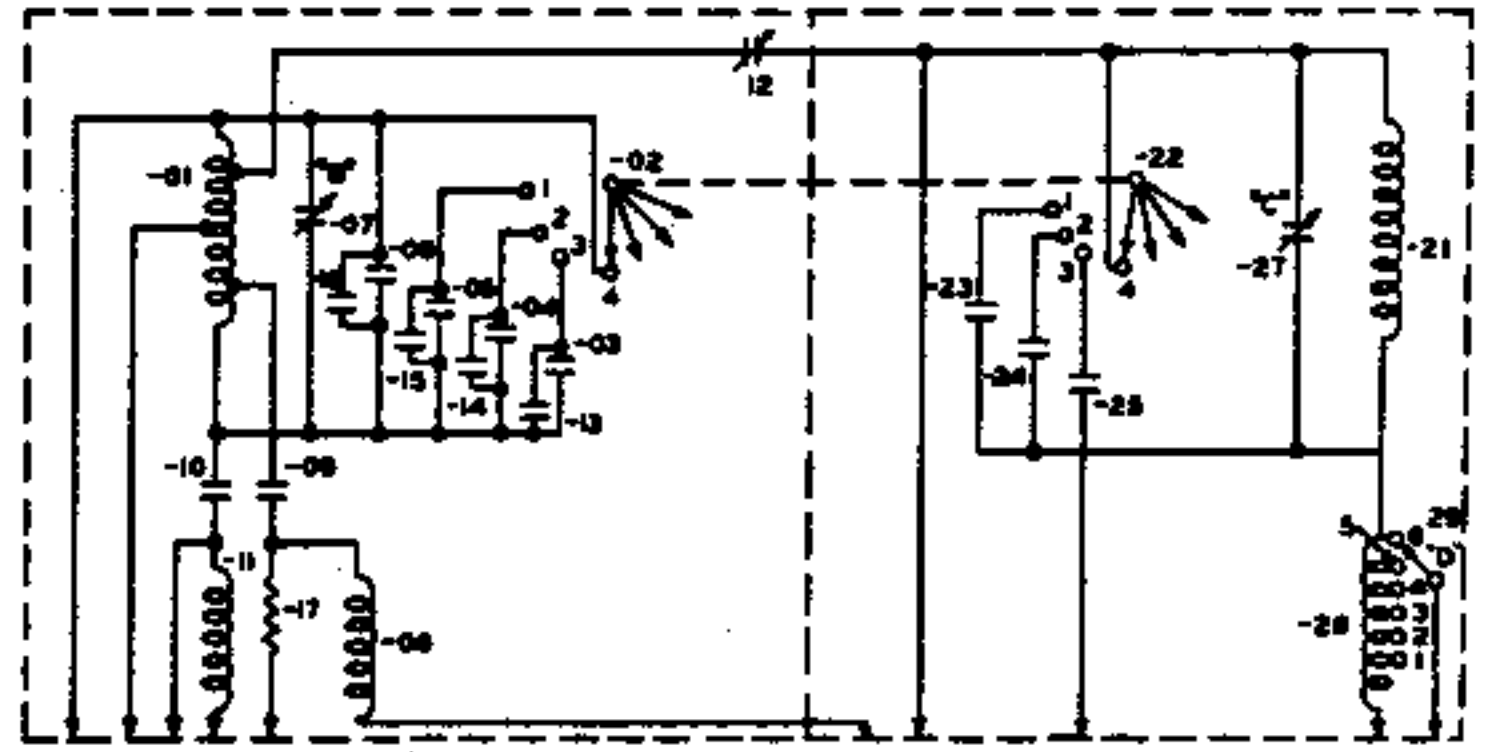
WIRING OF TU-3-(\*) TU-22-(\*) AND TU-26-(\*)



WIRING OF TU-7-(\*) TU-8-(\*) TU-9-(\*) AND TU-10-(\*)



WIRING OF TU-6-(\*)



WIRING OF TU-5-(\*)

Reference No.	Description	TUNING UNIT PART VALUES	Reference No.	Description
301, 2201, 2601	Variometer	306, 508, 608, 708, 806, 906, 1006, 2206, 2606	319, 320, 2219	Thermal compensator
501, 601, 701,	R.f. Inductance		2220, 2619, 2620	
801, 901, 1001			321, 2221, 2621	Variometer
302, 1010, 2202, 2602	R.f. choke		521, 621, 721, 821, 921, 1021	R.f. coil
502, 602	Rotary switch		322, 622, 2222, 2622	
702, 802, 902, 1002	Variable capacitor	2224, 2624	522	Switch
303, 511, 611, 2203, 2603	R.f. choke	509, 510, 609, 610, 909, 1009	627, 722, 922, 1022	4 pos. switch (ganged to 502)
603, 623	0.00005 $\mu$ f, 3000V.	311, 2210, 2211, 2610, 2611	522	19-116 $\mu$ f
703, 705, 803, 805, 903, 905, 1003, 1005	0.0004 $\mu$ f, 5000V.	310, 312, 315	323	15-81 $\mu$ f
704, 804, 904, 1004	R.f. choke	2212, 2612, 2215, 2615	523, 524, 525	0.0001 $\mu$ f, 3000V.
305, 2205, 2605	Capacitor	316, 512, 612, 2216, 2616	327, 528, 628, 723, 823	0.00008 $\mu$ f, 3000V.
506	0.0003 $\mu$ f, 2000V.	304, 313, 314, 318, 329, 2204, 2218, 2229	923, 1023, 2227, 2627	Coil
307, 2207, 2607	3 pos. switch	2604, 2618, 2629	328, 529, 629, 724, 824, 924, 1024, 2228, 2628	
607	20-135 $\mu$ f	2213, 2214, 2613, 2614	325, 326	5 pos. rotary
807	15-77 $\mu$ f	513, 514, 515, 516	2225, 2625	0.001 $\mu$ f, 3000V.
707, 807, 907, 1007	2-26 $\mu$ f	317, 517, 2217, 2617	527	0.0008 $\mu$ f, 3000V.
308, 508, 504, 505, 2208, 2228, 2628	0.0001 $\mu$ f, 3000V.			20-15 $\mu$ f

Downloaded by RadioAmateur.EU