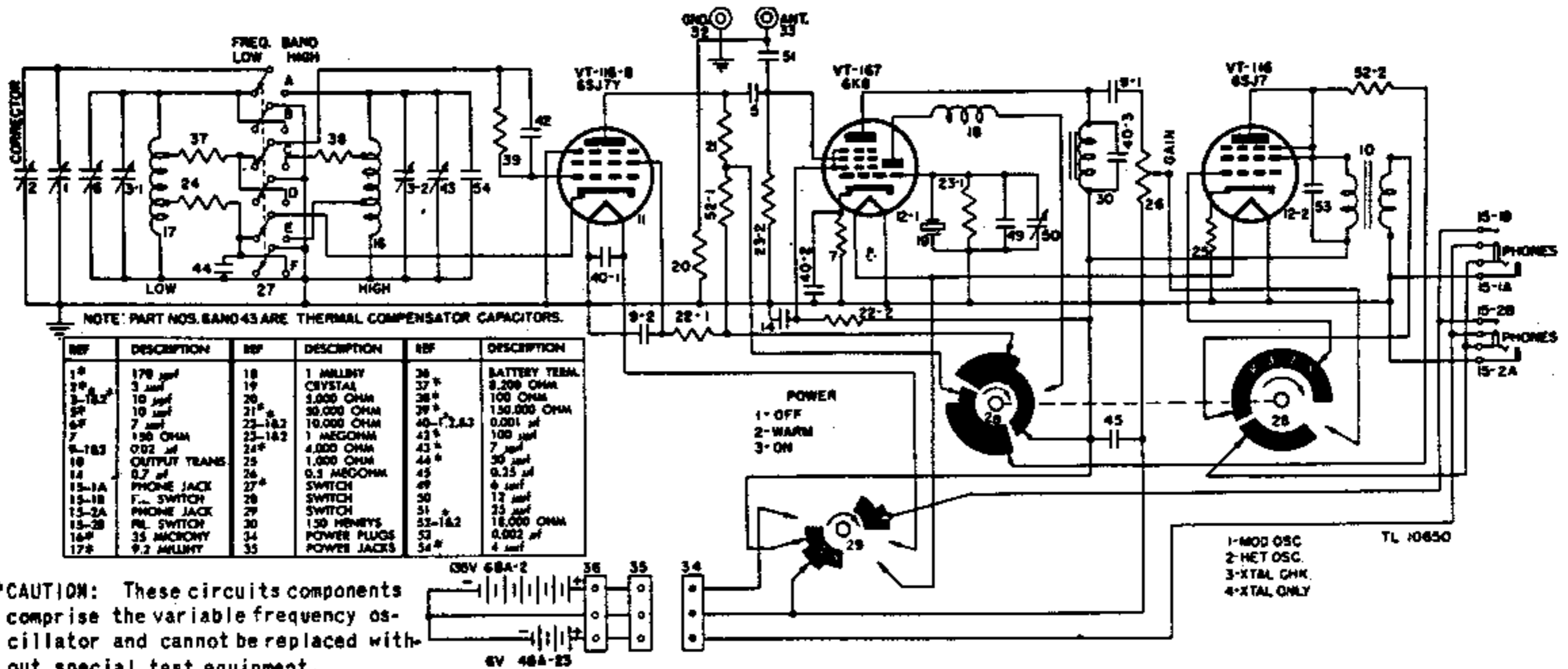
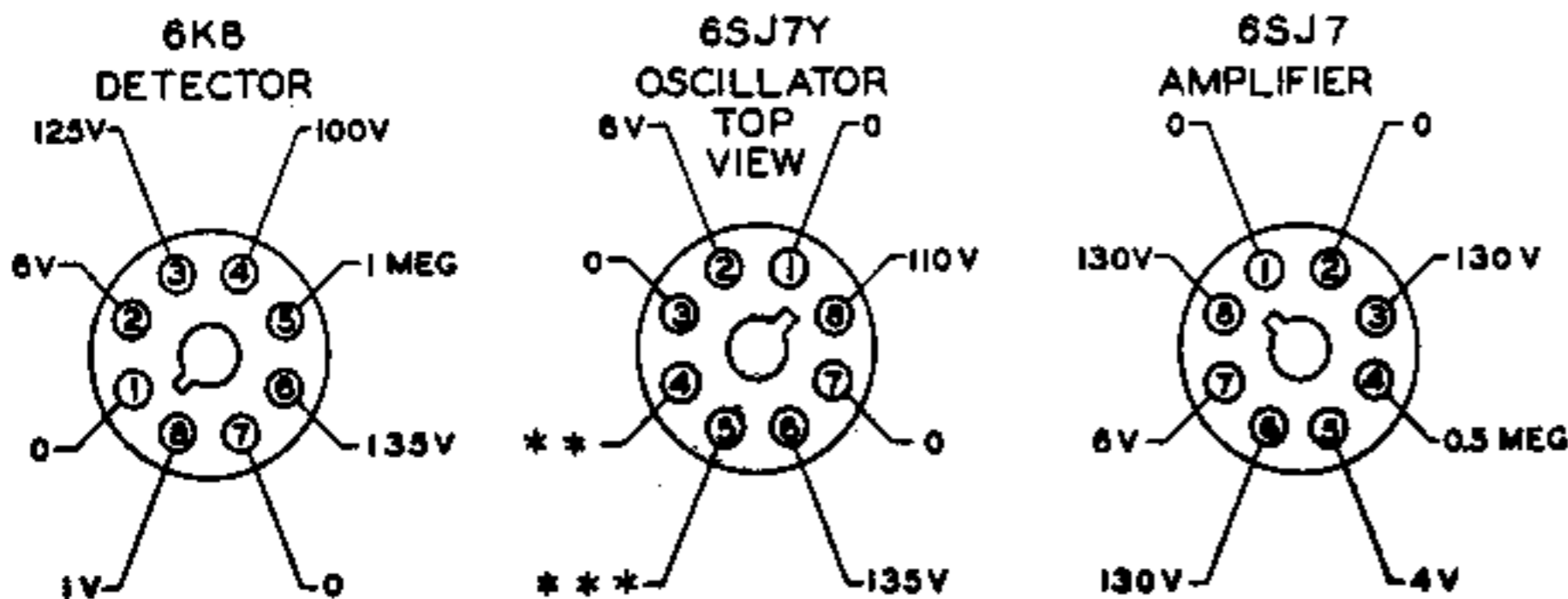


SCHEMATIC DIAGRAM FREQUENCY METER BC-221-AJ



RESISTANCE AND VOLTAGE MEASUREMENTS



Downloaded by
RadioAmateur.EU

GAIN CONTROL SET AT MAXIMUM.
 ** 135,000 Ω LOW BAND; 140,000 Ω HIGH BAND
 *** 4,100 Ω LOW BAND; .2 HIGH BAND