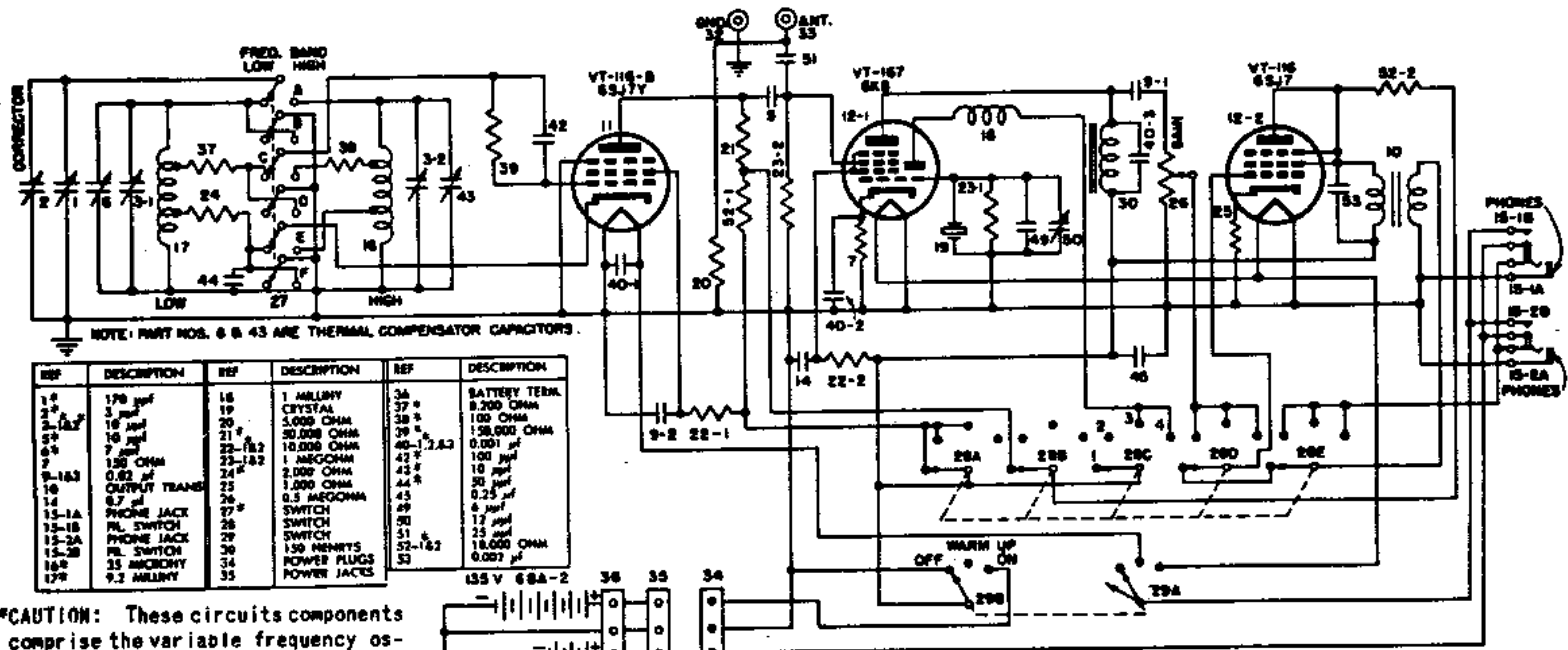


SCHEMATIC DIAGRAM FREQUENCY. METER BC-221-A1



NOTE: PART NOS. 6 & 43 ARE THERMAL COMPENSATOR CAPACITORS.

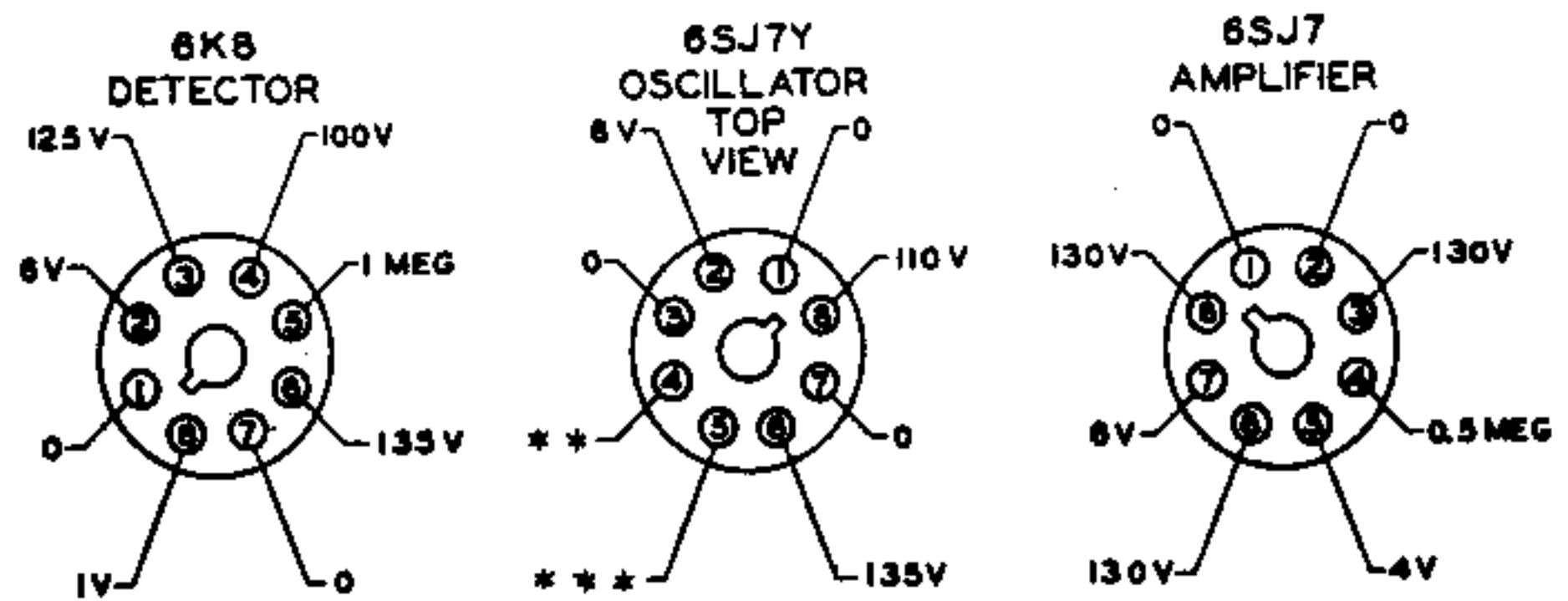
REF	DESCRIPTION	REF	DESCRIPTION	REF	DESCRIPTION
1*	170 μ F	16	1 MILLISEC	36	BATTERY TERM.
2*	3 μ F	19	CRYSTAL	37*	8,200 OHM
2-1&2*	18 μ F	20	5,000 OHM	38*	100 OHM
5*	10 μ F	21*	30,000 OHM	39*	150,000 OHM
6*	7 μ F	22-1&2	10,000 OHM	40-1,2&3	0.001 μ F
7	150 OHM	24*	1 MEGOHM	42*	100 μ F
9-1&3	0.02 μ F	25	2,000 OHM	43*	10 μ F
10	OUTPUT TRANS.	26	1,000 OHM	44*	30 μ F
14	8.7 μ F	27*	0.5 MEGOHM	45	0.25 μ F
15-1A	PHONE JACK	28*	SWITCH	49	6 μ F
15-1B	PH. SWITCH	29	SWITCH	50	17 μ F
15-2A	PHONE JACK	30	SWITCH	51*	25 μ F
15-2B	PH. SWITCH	34	150 HENRYS	52-1&2	18,000 OHM
16*	25 MICROHY	35	POWER PLUGS	53	0.007 μ F
17*	9.2 MILLISEC				

CAUTION: These circuits components comprise the variable frequency oscillator and cannot be replaced with out special test equipment.

SWITCH 28

POSITION	FUNCTION
1	MOD. OSC.
2	NET. OSC.
3	XTAL. CHK.
4	XTAL. ONLY

RESISTANCE AND VOLTAGE MEASUREMENTS



Downloaded by
RadioAmateur.EU

GAIN CONTROL SET AT MAXIMUM.
 ** 135,000 Ω LOW BAND; 140,000 Ω HIGH BAND
 *** 4,100 Ω LOW BAND; .2 Ω HIGH BAND