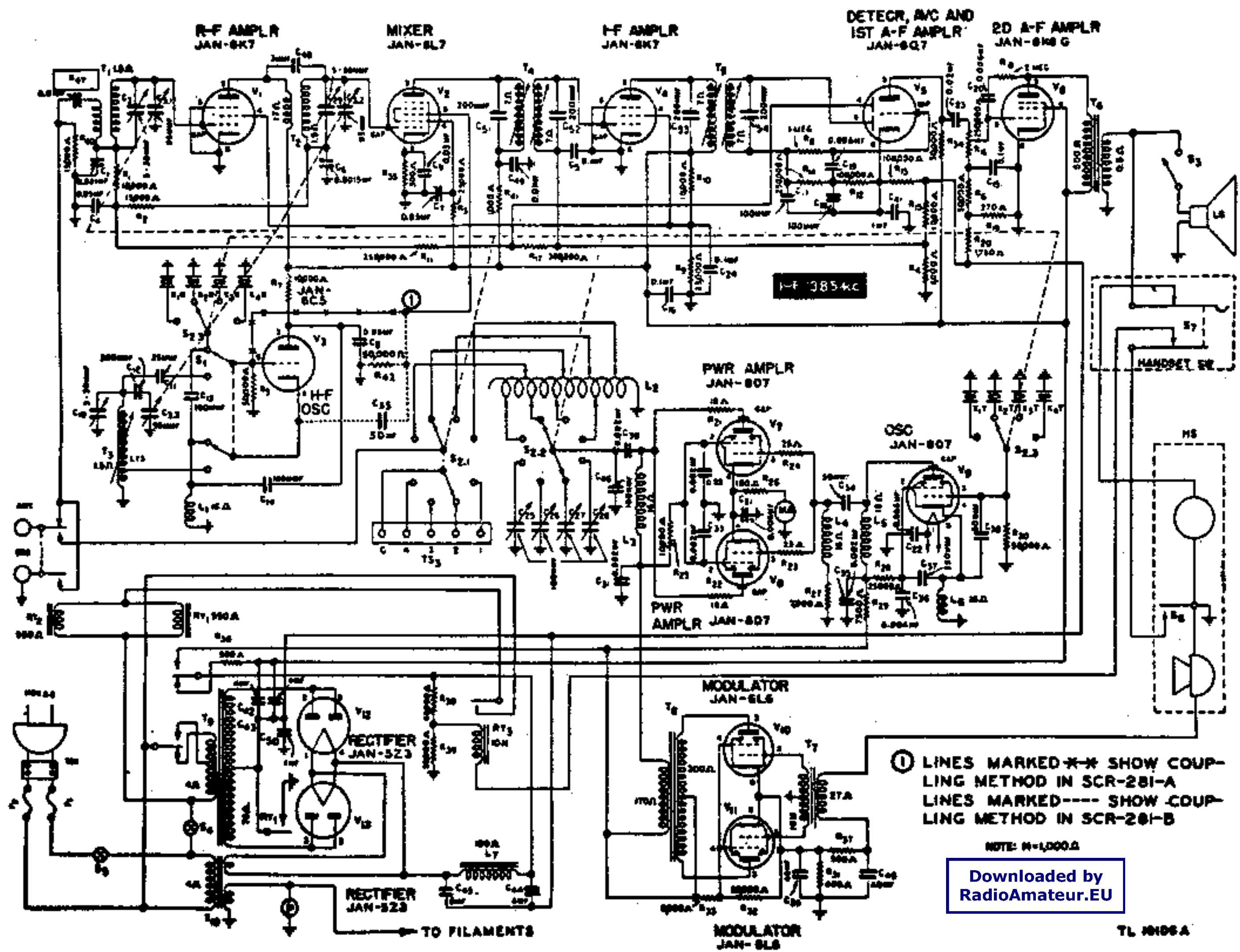


SCHEMATIC OF BC-441-A, -B



① LINES MARKED * * SHOW COUPLING METHOD IN SCR-281-A
 LINES MARKED --- SHOW COUPLING METHOD IN SCR-281-B

NOTE: N=1,000.Ω
 Downloaded by
 RadioAmateur.EU