

726
44-550
44-550
44-550
44-550
447870
22404

16-60

T. O. 31R2-4-17-4
(Formerly T. O. 16-45-224)

PARTS CATALOG

RADIO RECEIVER
MODEL SP-600-JX

(HAMMARLUND)

REVISION
NOTICE

**LATEST REVISED PAGES SUPERSEDE
THE SAME PAGES OF PREVIOUS DATE**

Insert revised pages into basic
publication. Destroy superseded pages.

PUBLISHED UNDER AUTHORITY OF THE SECRETARY OF THE AIR FORCE

T. O. No. 16-45-224

Reproduction for non-military use of the information or illustrations contained in this publication is not permitted without specific approval of the issuing service (BuAer or USAF). The policy for use of Classified Publications is established for the Air Force in AFR 205-1 and for the Navy in Navy Regulations, Article 1509.

LIST OF REVISED PAGES ISSUED

INSERT LATEST REVISED PAGES. DESTROY SUPERSEDED PAGES.

NOTE: The portion of the text affected by the current revision is indicated by a vertical line in the outer margins of the page.

Page No.	Date of Latest Revision
48.....	15 September 1955
49.....	15 September 1955
50.....	15 September 1955
51.....	15 September 1955
52.....	15 September 1955
53.....	15 September 1955

* The asterisk indicates pages revised, added or deleted by the current revision.

ADDITIONAL COPIES OF THIS PUBLICATION MAY BE OBTAINED AS FOLLOWS:

USAF ACTIVITIES.—In accordance with Technical Order No. 00-5-2.
NAVAL ACTIVITIES.—Use Publications and Forms Order Blank (NavAer 2126) and submit to the nearest publications supply point listed below: NAS, Alameda, Calif.; NAS, Jacksonville, Fla.; NAS, Norfolk, Va.; NAS, San Diego, Calif.; NAS, Seattle, Wash.; NASD, ASO, Guam; NASD, Philadelphia, Pa.
For listing of available publications see Naval Aeronautic Publications Index (NavAer 00-500).

USAF

TABLE OF CONTENTS

Section		Page
I	Introduction	1
II	Group Assembly Parts List Radio Receiver SP-600-JX	4
III	Reference Symbol List	45
IV	Special Service Tools List	47
V	Numerical Parts Index	48

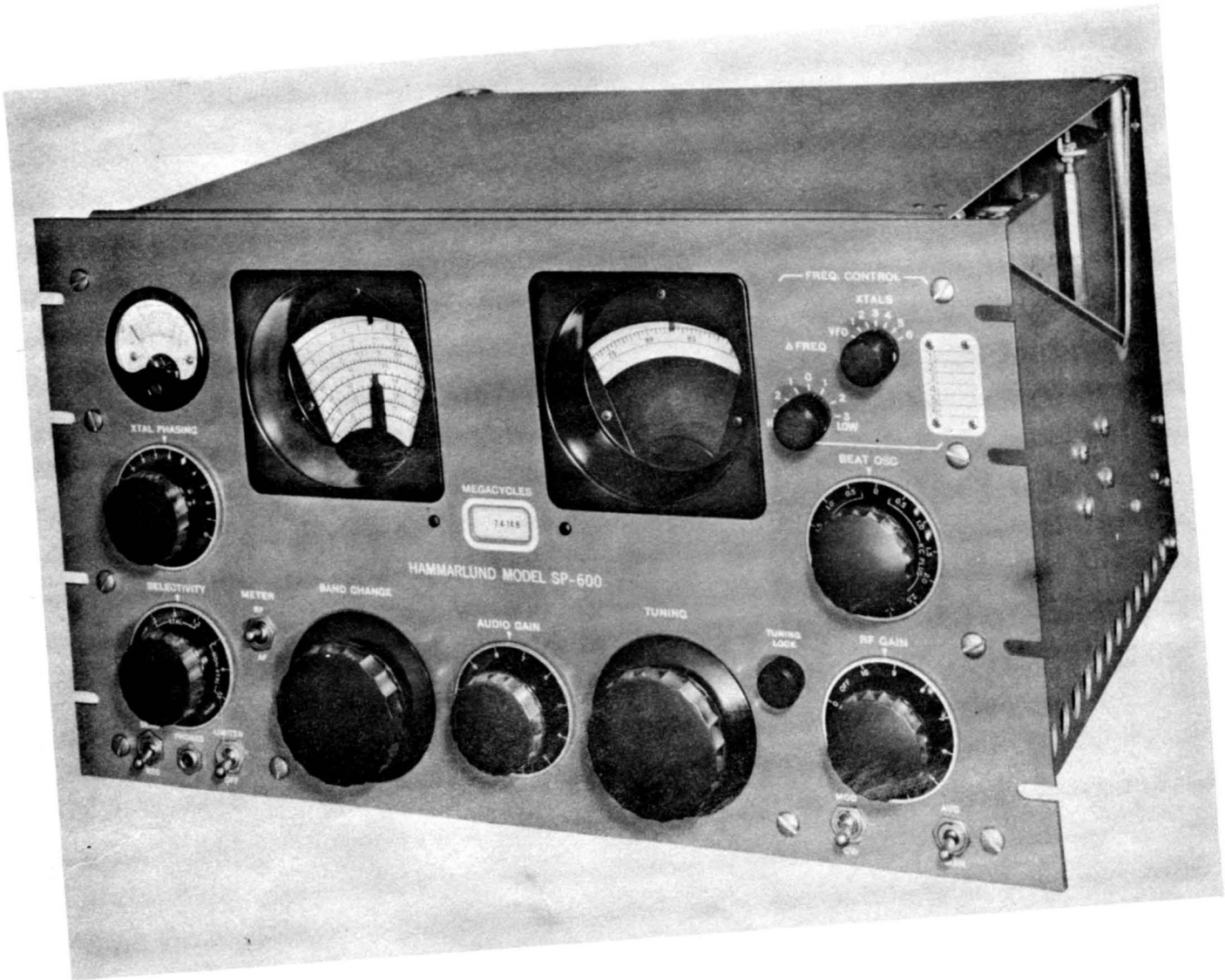


Figure 1. Radio Receiver, Model SP-600-JX Rack Mountings

SECTION I INTRODUCTION

1-1. IDENTIFICATION. This publication is a parts catalog for the Hammarlund Super Pro Radio Receiver Model SP-600-JX Rack Mountings, illustrated in figure 1.

1-2. PURPOSE. The parts catalog is intended for use by personnel concerned with supply and maintenance, for requisitioning, storing, issuing and identifying new and reclaimed parts, and for the determination of assembly and disassembly sequences. It consists of a Group Assembly Parts List, a Reference Symbol List, a Special Service Tools List, and a Numerical Parts Index. The Reference Symbol used to designate an item also identifies the item in the associated handbook publications concerned with the operation, service, and overhaul of the receiver.

1-3. GROUP ASSEMBLY PARTS LIST. The Group Assembly Parts List (Refer to Section II.) is a listing of the items comprising the receiver in their proper sequence of disassembly. Each item whether a sub-assembly or part is keyed to an illustration which shows the items comprising an assembly in isometric exploded view. The extent of the disassembly shown for each item is dependent on whether it is more practical to replace the item or any one of the parts which comprise it. Certain of the items listed in the Group Assembly Parts List are subassemblies or sub-subassemblies for which certain replaceable parts comprising them are listed, so that these parts may be identified for replacement apart from the complete item. Items, if any, which need not follow a prescribed order of disassembly, such as resistors, capacitors, etc., are listed first for certain of the illustrations. The columnar headings used in the Group Assembly Parts List are defined in the following manner:

a. The Figure and Index No. associated with a specific item keys the item by Figure number or Figure and Index number to the illustration of the item in the Group Assembly Parts List.

b. The Part Number associated with a specific item identifies the item with the corresponding Hammarlund drawing/part number in all instances for items peculiar to the receiver, i.e., expressly designed, altered in design, or processed for the receiver. Commercial items are assigned the prime manufacturer's part number except in instances of Government standard items which are assigned the applicable JAN or AN Government numbers. Commercial hardware and other commercial items not identified by prime manufacturer's part number are designated Coml. When a part number other than the prime manufacturer's part number, for any reason has been assigned to an item in the Group Assembly Parts List both numbers are shown in their proper numerical sequence in the Numerical Parts Index and the number which is not given in the Part Number column of the Group Assembly Parts List incorporates a note for reference to

the proper number.

c. The Reference Symbol associated with a specific item is in accordance with JANP 109, Manual of Standard Descriptions, said designations providing circuit identification for specific items in maintenance activities.

d. The Name and Description associated with a specific item is in accordance with the main modifiers describing the item as per JANP 109, Manual of Standard Descriptions. Commercial items show in parentheses the code designation assigned the name of the prime manufacturer in accordance with ANA Bulletin No. 262d (Refer to paragraph 1-7.). When the item is an attaching item such as an item of hardware, it is listed immediately following the item or items it attaches and in parentheses is designated (Att. Pt.) or (Att. Pt. for Items 1, 2, etc.), as applicable.

e. The Units Per Assembly associated with a specific item is the numerical occurrence of the item in the assembly. When the item listed is a bulk item, AR, meaning As Required, is the symbol used to designate the Units Per Assembly. When the item listed in an assembly is relisted in a subsequent listing, then Ref, meaning included for reference only, is the symbol used to designate the Units Per Assembly. This is so since the item Units Per Assembly are accounted for the first time it is listed.

f. The designation Application associated with a specific item provides for associating a predetermined code with the item. When the application code is a the item appears only on receivers with name plate serial numbers up to 1294; when the application code is b the item appears only on receivers with name plate serial numbers above 1294. When the items are coded c, d; e, f; g, h; i, j; k, l; m, n; or q, r said coding is associated with two subassemblies which are identical but whose Reference Symbol is different, as are those for the items included in each. When the Application code column is blank the item is applicable without restriction to the assembly of which it is part.

1-4. REFERENCE SYMBOL LIST. The Reference Symbol List (Refer to Section III.) lists the Reference Symbol items included in the Group Assembly Parts List by Reference Symbol and Figure and Index No. corresponding to the item. In terms of the known Reference Symbol, the Figure and Index No. provides for the rapid location of the illustration and description of the item in the Group Assembly Parts List. The item Reference Symbols are listed in alphabetical-numerical sequence whereby the required Reference Symbol may be rapidly located in the listings.

1-5. SPECIAL SERVICE TOOLS LIST. The Special Service Tools List (Refer to Section IV.) illustrates and identifies the special service tools used during the disassembly and subsequent reassembly of the receiver. Each tool is identified by Hammarlund Tool

Number, Tool Name, and its receiver Application. The tool Figure and Index Number keys the tool to its illustration.

1-6. NUMERICAL PARTS INDEX. The Numerical Parts Index (Refer to Section V.) lists each item appearing in the Group Assembly Parts List by Part Number, or main noun modifier in instances of commercial (Coml) items. The Coml items are listed first in alphabetical order and are followed by the Part Number items in alphabetical-numerical sequence. The part number arrangement begins with the extreme left-hand position and continues from left to right, one position at a time, thereby resulting in the numerical arrangement used. The order of precedence of the first position arrangement is by letters from A through Z and then by numerals from 0 through 9; alphabetic O's being considered as numeric zeros. Second and succeeding position arrangements are by space (blank column), dash (-), letters A through Z, and numerals 0 through 9; alphabetic O's being considered as numeric zeros. When a Part Number or main noun modifier is applicable to several Figure and Index Numbers each occurrence is listed in the index, except in instances of Government Standard Parts for which the Figure and Index Number of the first occurrence only of such a part in the Group Assembly Parts List is listed in the index. In each instance the Numerical Parts Index lists the Stock Number (Code and Serial), and the Total Per Equipment or quantity complement of the item for the receiver.

1-7. MANUFACTURER'S CODE DESIGNATIONS. The following list identifies the code applicable to a specific manufacturer.

CODE	MANUFACTURER'S NAME
BWA	Barnes Wallace Co. Bristol, Conn.
CAF	Canfield Rubber Co. New York, N. Y.
CHL	Crowley, Henry L. & Co., Inc. West Orange, N. J.
CIN	Cinch Mfg. Corp. New York, N. Y.
CUT	Cutler-Hammer, Inc. New York, N. Y.
EBY	Eby, Hugh H. Inc. Philadelphia, Pa.
ELII	Electrical Industries, Inc. Newark, N. J.
FNK	Franklin, A. W., Mfg. Corp. Long Island City, N. Y.
GRE	Graybar Electric Co., Inc. New York, N. Y.
HAH	Hart & Hegeman New York, N. Y.
HEMA	Heyman Mfg. Co. Kenilworth, N. J.
ICA	Insuline Corp. of America Long Island City, N. Y.
IFCO	Industrial Fastener Corp. New York, N. Y.
IRC	International Resistance Co. Philadelphia, Pa.
ISO	Isolantite, Inc. Sterling, N. J.
IVI	Irvington Varnish & Insulator Co. Irvington, N. J.
JFE	Jeffers Electronics Co. St. Mary's, Pa.
JNS	Jones, Howard B. Chicago, Ill.
LTF	Littlefuse, Inc. Chicago, Ill.
LTJI	T. J. Long, Inc. Carle Place, L. I.
MAL	Mallory, P. R. & Co., Inc. New York, N. Y.
MSM	Metal Specialties Mfg. Co. Long Island City, N. Y.

CODE MANUFACTURER'S NAME

AB	Allen-Bradley Co. New York, N. Y.
AEV	Aerovox Corp. New Bedford, Mass.
ALN	Allen Mfg. Co., The Hartford, Conn.
ALP	Alden Products Co. Brockton, Mass.
AMP	American Phenolic Corp. New York, N. Y.
BBR	Birnback Radio Co. New York, N. Y.
BEI	Beede Electrical Instrument Co. Penacook, N. H.
BHE	Birtcher Corp. Los Angeles, Cal.
BLY	Bliley Electric Co. New York, N. Y.
BUS	Bussmann Mfg. Co. New York, N. Y.

CODE	MANUFACTURER'S NAME
NL	National Lock Washer Co., The Newark, N. J.
NVF	National Vulcanized Fibre Co. New York, N. Y.
OAK	Oak Mfg. Co. Chicago, Ill.
PHE	Pheoll Mfg. Co. New York, N. Y.
SH	Shakeproof, Inc. Elgin, Ill.
SKL	Sickles, F. W. Springfield, Mass.
SWLC	Schott, Walter L., Co. New York, N. Y.
UNT	United Transformer Co. New York, N. Y.
WS	Weston Electrical Instrument Corp. New York, N. Y.
ZE	Zierick Mfg. Corp. New Rochelle, N. Y.

1-8. ITEM IDENTIFICATION. To facilitate the rapid and accurate use of the catalog, use one of the following procedures to identify the item.

a. When the Part Number is known. If it is desired to find the illustration or description of an item and the part number is known, refer to the Numerical Parts Index, Section V. Find the part number in the Part Number column. The corresponding number in the Figure and Index Number column is the figure and index number of the illustration and listing of the item in the Group Assembly Parts List, Section II.

b. When the Part Number is not known. If it is desired to find the part number of an item refer to the applicable illustration of the assembly in which the item is used. Locate the item on the illustration, find its index number, and then refer to the associated item list to determine the part number.

c. When the Reference Symbol is known. If it is desired to find the part number, description, or illustration of an item and the Reference Symbol is known, refer to the Reference Symbol List, Section III, to determine the figure and index number of the item.

SECTION II
GROUP ASSEMBLY PARTS LIST

FIG & INDEX NO.	PART NUMBER	REF SYMBOL	NAME AND DESCRIPTION							UNITS PER ASSY	APPLI- CATION	
			1	2	3	4	5	6	7			
			RADIO RECEIVER SP-600-JX, RACK MOUNTINGS									
			APPLICATION CODING									
			Application Code	Model Designation	Serial Numbers							
			a	SP-600-JX	ANY to 1294							
			b	SP-600-JX	1295 to ANY							
2	31406-1	-	Radio Receiver SP-600-JX, Rack Mountings							1		
-1	31407-1	-	Chassis and Panel Assembly (See Figure 3 for assy breakdown)							1		
-2	31145-1	-	Plate, bottom							1		
-3	Coml	-	Screw, mach: slot drive; binding hd; steel, cad. pl; No. 10-32, 5/16 in. lg; incl. ext tooth steel cad. pl washer 0.408 in. dia x 0.024 in. thick; (IFCO) (Att. Pt.)							7		
-4	31476-1	-	Plate, cover							1		
-5	Coml	-	Screw, mach: slot drive; binding hd; steel, cad. pl; No. 6-32, 5/16 in. lg; incl. ext tooth steel cad. pl washer 0.270 in. dia x 0.021 in. thick; (IFCO) (Att. Pt.)							4		
-6	31477-1	-	Packing, rubber							1		

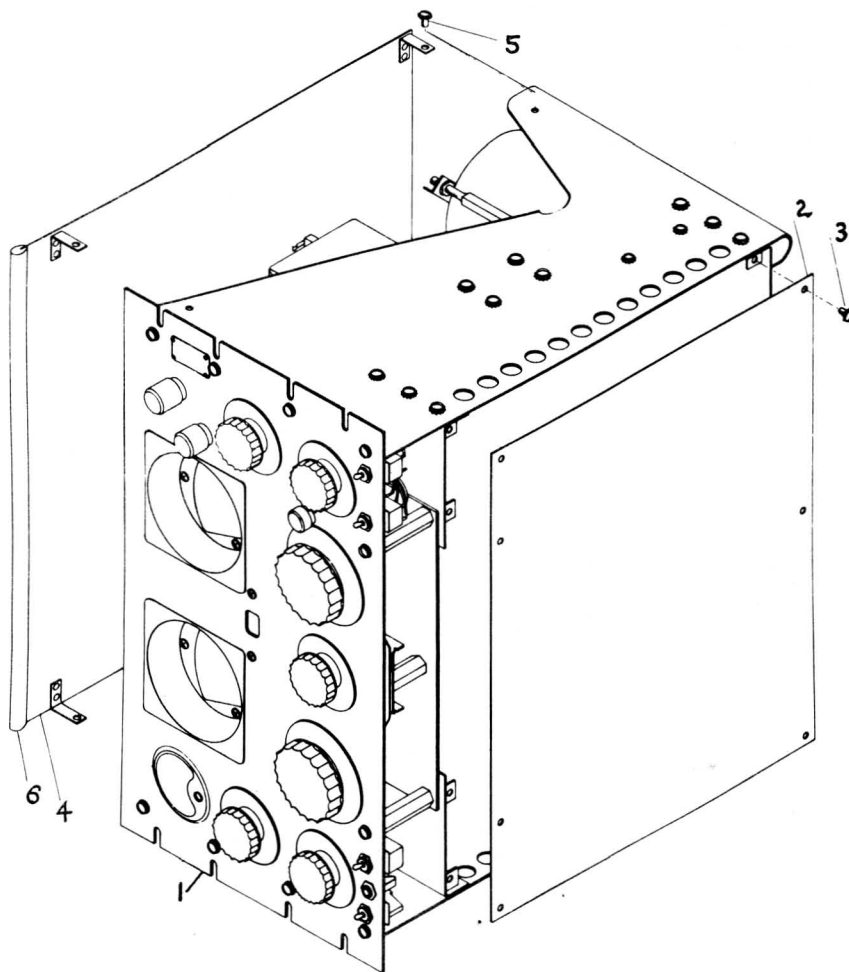


Figure 2. Radio Receiver SP-600-JX Rack Mountings

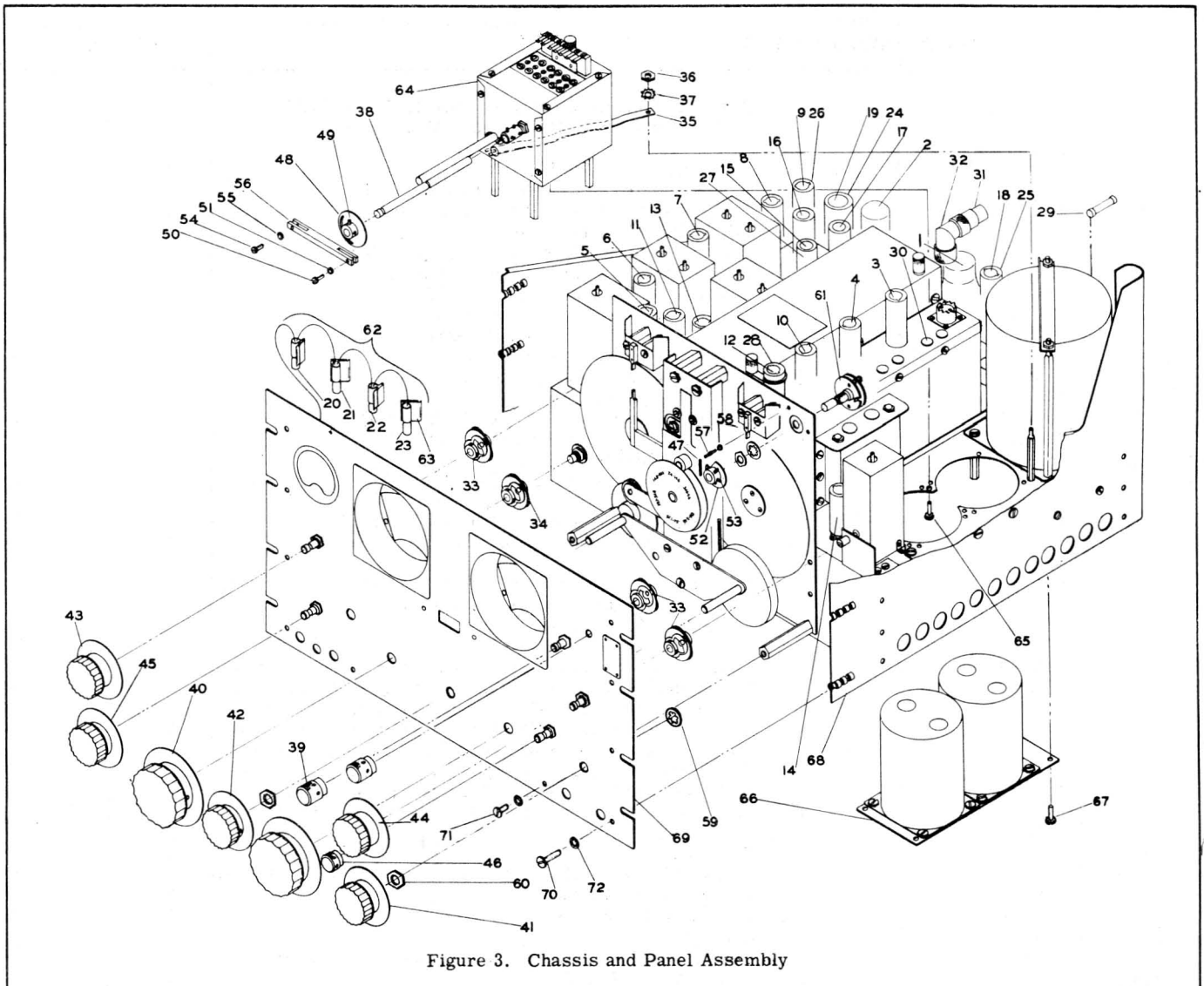


Figure 3. Chassis and Panel Assembly

FIG & INDEX NO.	PART NUMBER	REF SYMBOL	NAME AND DESCRIPTION							UNITS PER ASSY	APPLI-CATION
			1	2	3	4	5	6	7		
3	31407-1	-	RADIO RECEIVER SP-600-JX, RACK MOUNTINGS CHASSIS AND PANEL ASSEMBLY								
			Chassis and Panel Assembly (See Figure 2-1 for next higher assy)							Ref	
-1	JAN 5R4GY	V19	.							1	
-2	JAN 6V6GT	V17	.							1	
-3	JAN 6BA6	V1	.							1	
-4	JAN 6BA6	V2	.							1	
-5	JAN 6BA6	V7	.							1	
-6	JAN 6BA6	V9	.							1	
-7	JAN 6BA6	V10	.							1	
-8	JAN 6BA6	V11	.							1	
-9	JAN 6BA6	V12	.							1	
-10	JAN 6BE6	V5	.							1	
-11	JAN 6BE6	V6	.							1	
-12	JAN 6C4	V4	.							1	
-13	JAN 6C4	V8	.							1	
-14	JAN 6C4	V13	.							1	
-15	JAN OA2	V18	.							1	
-16	JAN 6AL5	V14	.							1	
-17	JAN 6AL5	V15	.							1	
-18	JAN 6AL5	V20	.							1	

FIG & INDEX NO.	PART NUMBER	REF SYMBOL	NAME AND DESCRIPTION							UNITS PER ASSY	APPLI- CATION	
			1	2	3	4	5	6	7			
			RADIO RECEIVER SP-600-JX, RACK MOUNTINGS CHASSIS AND PANEL ASSEMBLY (cont)									
3-19	JAN 12AU7	V16	.								1	
-20	47	I1	.								1	
-21	47	I2	.								1	
-22	47	I3	.								1	
-23	47	I4	.								1	
-24	TSF0T105	-	.								1	
-25	TSF0T101	-	.								3	
-26	TSF0T102	-	.								11	
-27	TSF0T103	-	.								1	
-28	31449-1	-	.								1	
-29	AGC3	F1	.								2	
-30	350-2	-	.								9	
-31	83-22SP	P2	.								1	
-32	83-22AP	P3	.								1	
-33	415-3	-	.								3	
-34	415-2	-	.								1	
-35	31423-1	-	.								1	
-36	Coml	-	.								2	
-37	AN936B8	-	.								2	
-38	31446-1	-	.								1	
-39	31434-1	-	.								2	
-40	31215-1	-	.								2	
-41	31227-1	-	.								1	
-42	31227-2	-	.								1	
-43	31227-3	-	.								1	
-44	31227-4	-	.								1	
-45	31227-5	-	.								1	
-46	31462-1	-	.								1	
-47	6039-1	-	.								1	
-48	31435-1	-	.								1	
-49	Coml	-	.								2	
-50	31470-1	-	.								1	
-51	AN935-4	-	.								1	
-52	31436-1	-	.								1	
-53	Coml	-	.								2	
-54	31470-1	-	.								1	
-55	AN935-4	-	.								1	
-56	31433-1	-	.								1	
-57	31437-1	-	.								1	
-58	AN935-6	-	.								1	
-59	10012-90	-	.								2	
-60	AN936A616	-	.								2	
-61	31469-1	S3	.								1	
-62	31453-1	-	.								1	
-63	81	-	.								4	
-64	31409-1	-	.								1	
-65	Coml	-	.								4	
-66	31447-1	-	.								1	
-67	Coml	-	.								4	
-68	31408-1	-	.								1	
-69	31238-1	-	.								1	
-70	10023-48	-	.								8	
-71	Coml	-	.								2	
-72	AN936A10	-	.								10	

FIG & INDEX NO.	PART NUMBER	REF SYMBOL	NAME AND DESCRIPTION							UNITS PER ASSY	APPLI- CATION
			1	2	3	4	5	6	7		
			RADIO RECEIVER SP-600-JX, RACK MOUNTINGS FREQUENCY CONTROL UNIT ASSEMBLY								
4	31409-1	-	Frequency Control Assembly (See Figure 3-64 for next higher assy)							Ref	
-1	JAN 6AC7	V3	. Tube, electron (JAN-1A)							1	
-2	Coml	-	. Tubing: covers five insulated wire leads, extruded plastic vinylite, black, hyflex, wire size No. 3; (IVI)							AR	
-3	CC21VJ120J	C60	. Capacitor: fixed (JAN-C-20A)							1	
-4	Coml	-	. Tubing: covers capacitor pigtail leads; extruded plastic vinylite, black; hyflex, wire size No. 17; (IVI)							AR	
-5	31411-1	-	. Cover							1	
-6	Coml	-	. Screw, mach: slot drive; binding hd; steel cad. pl; No. 4-40, 1/4 in. lg; incl ext tooth steel cad. pl washer 0.254 in. dia x 0.019 in. thick; (IFCO) (Att. Pt.)							12	
-7	15619-1	L23	. Coil RF: 25 mh							1	
-8	15618-1	L22	. Coil RF: 10 mh							1	
-9	15617-1	L21	. Coil RF: 1 mh							1	
-10	Coml	-	. Tubing: covers one wire lead of coil, rf; extruded plastic vinylite, black; hyflex, wire size No. 17; (IVI)							AR	
-11	RC20BF181K	R24	. Resistor, fixed (JAN-R-11)							1	
-12	RC20BF181K	R25	. Resistor, fixed (JAN-R-11)							1	
-13	CM30D222J	C62	. Capacitor, fixed (JAN-C-5)							1	
-14	CM20C390J	C63	. Capacitor, fixed (JAN-C-5)							1	
-15	Coml	C61	. Capacitor, fixed: 10,000 mmf (AEV type P488 or P487)							1	
-16	Coml	C64	. Capacitor, fixed: 10,000 mmf (AEV type P488 or P487)							1	
-17	RC20BF473K	R23	. Resistor, fixed (JAN-R-11)							1	
-18	Coml	-	. Tubing: covers bare wire; extruded plastic vinylite, black; hyflex, wire size No. 17 (IVI)							AR	
-19	31410-1	-	. Container: aluminum							1	
-20	926B-31	-	. Clamp: electron tube (BHE)							1	
-21	Coml	-	. Screw, mach: slot drive; binding hd; steel cad. pl No. 8-32, 5/16 in. lg; incl ext tooth steel cad. pl washer 0.317 in. dia x 0.021 in. thick; (IFCO) (Att. Pt.)							1	
-22	Coml	-	. Nut, hex; No. 8-32 x 11/32 in. across flats (PHE) (Att. Pt.)							1	
-23	AN936A8	-	. Washer, lock (Att. Pt.)							1	
-24	15879-1	S2	. Switch, rotary (MAL Series 3100)							1	
-25	10012-90	-	. Nut, hex (Att. Pt.)							1	
-26	Coml	-	. Tubing: covers bare wire; extruded plastic vinylite, black; hyflex, wire size No. 17 (IVI)							AR	
-27	11726-109	C65	. Capacitor, variable: air dielectric							1	
-28	Coml	-	. Screw, mach: flat hd No. 4-40, 1/4 in. lg (PHE) (Att. Pt.)							1	
-29	Coml	-	. Screw, mach: slot drive; binding hd; steel cad. pl; No. 4-40, 1/4 in. lg; incl ext tooth steel cad. pl washer 0.254 in. dia x 0.019 in. thick; (IFCO) (Att. Pt.)							1	
-30	31275-1	-	. Coupling, rigid (incl 4, No. 8-32 set screws)							1	
-31	CC-80W-PP	-	. Insulator, feed-thru (ELII)							1	
-32	31483-1	-	. Plate, mounting: for feed-thru insulator							1	
-33	31419-1	-	. Post, supporting							3	
-34	31419-2	-	. Post, supporting							1	
-35	Coml	-	. Screw, mach: slot drive; binding hd; steel cad. pl; No. 6-32, 5/16 in. lg; incl ext tooth steel cad. pl washer 0.270 in. dia x 0.021 in. thick; (IFCO) (Att. Pt.)							4	
-36	31412-1	-	. Plate, mounting							1	
-37	9006	X21	. Socket, crystal: for each crystal (EBY)							6	
-38	Coml	-	. Screw, mach: flat hd No. 4-40, 7/16 in. lg; (PHE) (Att. Pt.)							6	
-39	10002-16	-	. Washer, flat (NVF)							6	
-40	AN936A4	-	. Washer, lock (Att. Pt.)							6	
-41	Coml	-	. Nut; hex: No. 4-40 x 1/4 in. across flats (PHE) (Att. Pt.)							6	
-42	2423	E8	. Board, terminal (ICA)							1	
-43	T-2-5	E12	. Board, terminal (FNK)							1	
-44	Coml	-	. Screw, mach: slot drive; binding hd; steel cad. pl No. 6-32, 1/4 in. lg; incl ext tooth cad. pl washer 0.270 in. dia x 0.021 in. thick (IFCO) (Att. Pt.)							4	
-45	2666	-	. Grommet: neoprene (CAF)							1	
-46	31416-1	-	. Bracket: for crystal spring supports							1	
-47	31415-1	-	. Support, mounting base: crystal spring support							1	
-48	Coml	-	. Screw, mach: slot drive; binding hd; steel cad. pl; No. 6-32, 3/8 in. lg; incl ext tooth cad. pl washer 0.270 in. dia x 0.021 in. thick; (IFCO) (Att. Pt.)							2	
-49	31417-1	-	. Spring: flat type							6	

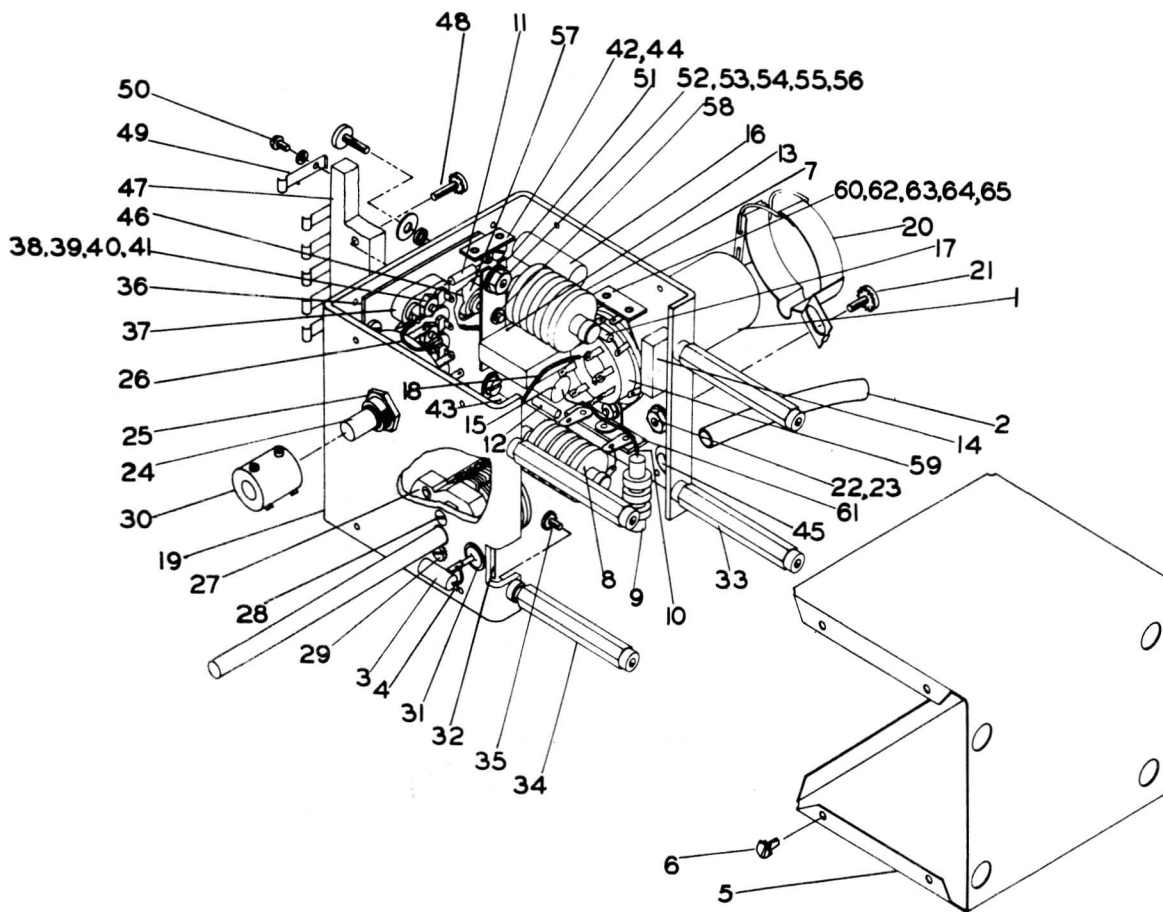


Figure 4. Frequency Control Unit Assembly

FIG & INDEX NO.	PART NUMBER	REF SYMBOL	NAME AND DESCRIPTION							UNITS PER ASSY	APPLI-CATION
			1	2	3	4	5	6	7		
			RADIO RECEIVER SP-600-JX, RACK MOUNTINGS FREQUENCY CONTROL UNIT ASSEMBLY (cont)								
4-50	Coml	-	. Screw, mach: slot drive; rd hd; steel cad. pl; No. 4-40, 1/4 in. lg; incl split steel cad. pl washer 0.200 in. dia x 1/16 in. deep, material 1/32 in. thick; (IFCO) (Att. Pt.)							6	
-51	31414-1	-	. Plate, spacer							1	
-52	Coml	-	. Screw, mach: slot drive; binding hd No. 8-32, 1/2 in. lg (PHE) (Att. Pt.)							2	
-53	Coml	-	. Nut, hex: No. 8-32 x 11/32 in. AF (PHE) (Att. Pt.)							2	
-54	31418-1	-	. Bushing: spacer							4	
-55	10007-58	-	. Washer: spacer							4	
-56	AN936A8	-	. Washer, lock (Att. Pt.)							2	
-57	31413-1	-	. Screw, thumb							1	
-58	WA510	-	. Ring, retainer: "C" shape; cad. pl (NL)							1	
-59	9859	X3	. Socket, tube octal; (CIN)							1	
-60	T-2-5	E11	. Board, terminal (FNK)							1	
-61	1520	E7	. Board, terminal (CIN)							1	
-62	Coml	-	. Screw, mach: No. 6-32, 5/16 in. lg; (PHE) (Att. Pt.)							2	
-63	AN936B6	-	. Washer, lock (Att. Pt.)							4	
-64	AN936A6	-	. Washer, lock (Att. Pt.)							2	
-65	10012-41	-	. Nut, hex (PHE) (Att. Pt.)							2	
			RADIO RECEIVER SP-600-JX, RACK MOUNTINGS FILTER ASSEMBLY								
5	31447-1	-	Filter Assembly (See Figure 3-66 for next higher assy)							Ref	
-1	31286-1	-	. Plate, mounting							1	
-2	31031-2	L52	. Reactor: filter choke; 20 hy, 115 ma (JAN-T-27) (UNT)							1	
-3	31030-2	L51	. Reactor: filter choke; 8.5 hy, 150 ma (JAN-T-27) (UNT)							1	
-4	31484-1	-	. Bracket: L shape							2	
-5	Coml	-	. Screw, mach: slot drive; binding hd; steel cad. pl; No. 8-32, 3/8 in. lg; incl ext tooth steel cad. pl washer 0.317 dia x 0.021 in. thick; (IFCO) (Att. Pt.)							8	
-6	AN936B8	-	. Washer, lock (Att. Pt.)							4	

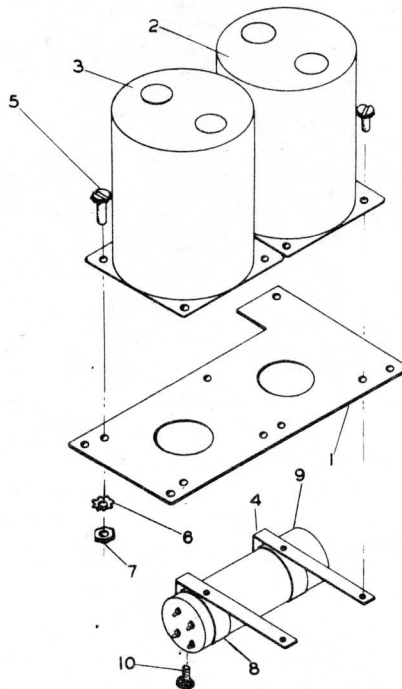


Figure 5. Filter Assembly

FIG & INDEX NO.	PART NUMBER	REF SYMBOL	NAME AND DESCRIPTION							UNITS PER ASSY	APPLI- CATION
			1	2	3	4	5	6	7		
RADIO RECEIVER SP-600-JX, RACK MOUNTINGS FILTER ASSEMBLY (cont)											
5-7	Coml	-	. Nut, hex: steel cad. pl; No. 8-32 x 11/32 in., across flats, single chamfer; (PHE) (Att. Pt.)							4	
-8	Coml	-	. Clamp: capacitor; steel, cad. pl; 1 bolt type; approx 1-3/8 in. dia x 3/8 in. wide x 0.025 in. thick; 0.144 in. dia hole on lip for mtg (MSM)							2	
-9	CE33F200R	C161	. Capacitor, fixed; electrolytic (JAN-C-62)							1	
-10	Coml	-	. Screw, mach: slot drive; binding hd; steel cad. pl; No. 6-32, 5/16 in. lg; incl ext tooth steel cad. pl washer 0.270 in. dia x 0.021 in. thick; (IFCO) (Att. Pt.)							2	
RADIO RECEIVER SP-600-JX, RACK MOUNTINGS PANEL ASSEMBLY											
6	31238-1	-	Panel Assembly (See Figure 3-69 for next higher assy)							Ref	
-1	31219-3	-	. Panel: front							1	
-2	31283-1	-	. Escutcheon:							2	
-3	AN936A4	-	. Washer, lock							8	
-4	10002-4	-	. Washer, flat: fibre (Att. Pt.)							8	
-5	Coml	-	. Nut, hex: steel cad. pl; No. 4-40 x 1/4 in. across flats (PHE) (Att. Pt.)							8	
-6	31282-1	-	. Glass: plexiglass							1	
-7	Coml	-	. Screw, mach: Phillips drive, oval hd No. 4-40, 1/4 in. lg; (PHE) (Att. Pt.)							2	
-8	31463-1	-	. Chart: vinylite							1	
-9	10013-56	-	. Screw, mach: (PHE) (Att. Pt.)							4	
-10	4903-2	-	. Meter, audio level: DC; 0 to 250 ua ± 5%; 1.0 ma basic movement (BEI Type 411)							1	
-11	D-54108	-	. Clamp: meter (incl adjustment screw) (WS) (Att. Pt.)							1	
-12	31454-1	E18	. Board, terminal							1	
-13	31460-1	-	. Tuning Lock Assembly							1	
-14	1220-2	-	. Washer, lock: cad. pl (SH) (Att. Pt.)							1	
-15	10012-90	-	. Nut, hex: (Att. Pt.)							1	

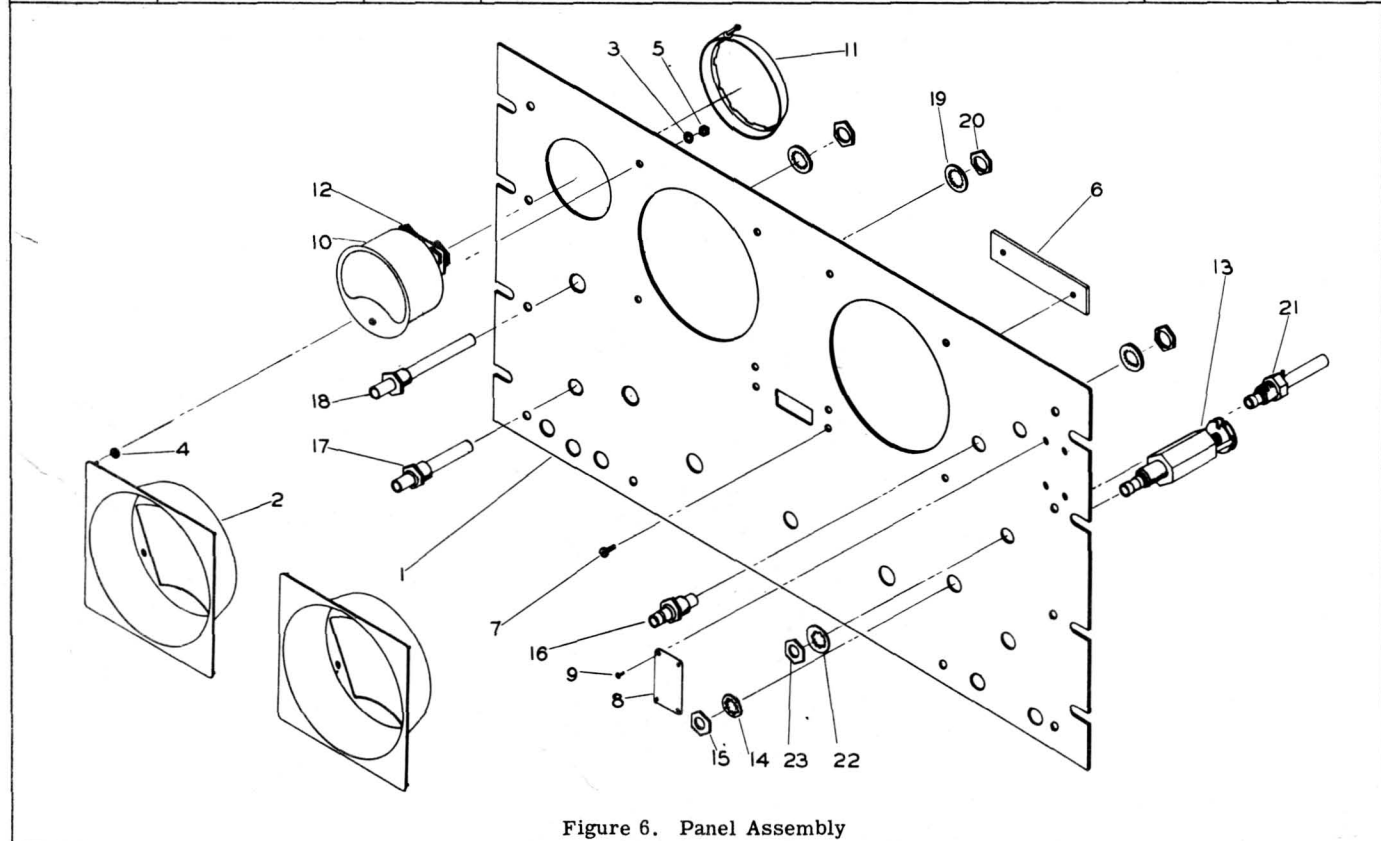


Figure 6. Panel Assembly

FIG & INDEX NO.	PART NUMBER	REF SYMBOL	NAME AND DESCRIPTION							UNITS PER ASSY	APPLI-CATION
			1	2	3	4	5	6	7		
RADIO RECEIVER SP-600-JX, RACK MOUNTINGS PANEL ASSEMBLY (cont)											
6-16	31431-1	-	1	
-17	31431-2	-	1	
-18	31431-3	-	1	
-19	AN936A616	-	3	
-20	10012-90	-	3	
-21	31432-1	-	1	
-22	AN936A616	-	1	
-23	10012-90	-	1	
RADIO RECEIVER SP-600-JX, RACK MOUNTINGS CHASSIS AND TUNING UNIT ASSEMBLY											
7	31408-1	-	Chassis and Tuning Unit Assembly (See Figure 3-68 for next higher assy)							Ref	
-1	9226-13	-	4	
-2	31276-1	-	2	
-3	Com1	-	8	
-4	31199-1	-	2	
-5	AN936A26	-	4	
-6	Com1	-	4	
-7	31185-1	-	1	
-8	AN936A2	-	4	
-9	Com1	-	2	

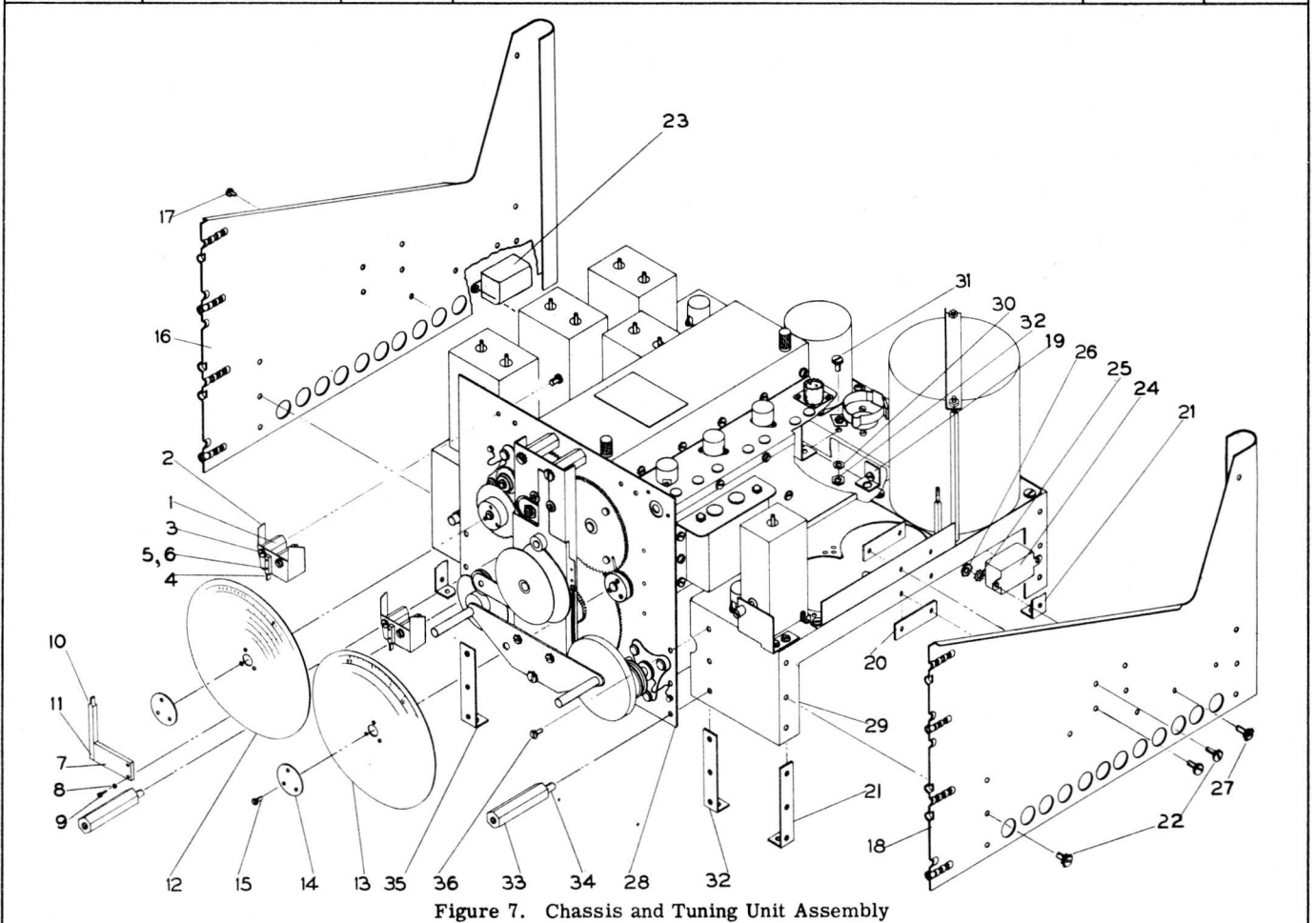


Figure 7. Chassis and Tuning Unit Assembly

FIG & INDEX NO.	PART NUMBER	REF SYMBOL	NAME AND DESCRIPTION							UNITS PER ASSY	APPLI- CATION
			1	2	3	4	5	6	7		
RADIO RECEIVER SP-600-JX, RACK MOUNTINGS CHASSIS AND TUNING UNIT ASSEMBLY (cont)											
7-10	31186-1	-	1	
-11	Coml	-	2	
-12	31438-1	-	1	
-13	31439-1	-	1	
-14	31083-1	-	2	
-15	Coml	-	6	
-16	31146-2	-	1	
-17	Coml	-	1	
-18	31146-1	-	1	
-19	31139-1	-	1	
-20	31142-1	-	3	
-21	31143-1	-	4	
-22	Coml	-	4	
-23	CP53B6EF503V	C129	18	
-24	CP53B6EF503V	C152	1	
-25	AN936B6	-	4	
-26	10012-41	-	4	
-27	Coml	-	4	
-28	31280-1	-	4	
-29	31138-1	-	1	
-30	AN936A10	-	1	
-31	Coml	-	1	
-32	Coml	-	1	
-33	31290-1	-	2	
-34	10010-19	-	2	
-35	31143-1	-	2	
-36	Coml	-	4	
RADIO RECEIVER SP-600-JX, RACK MOUNTINGS TUNING UNIT ASSEMBLY											
8	31280-1	-	Ref	
-1	11806-2	-	1	
-2	11806-3	-	1	
-3	11806-4	-	1	
-4	31452-1	-	1	
-5	31479-1	-	1	
-6	33	-	1	
-7	103	-	1	
-8	AN936B6	-	2	
-9	Coml	-	2	
-10	31128-1	-	10	
-11	Coml	-	1	
-12	31376-1	-	15	
-13	AN936B6	-	1	
-14	10049-2	-	2	
-15	31378-1	-	2	
			1	

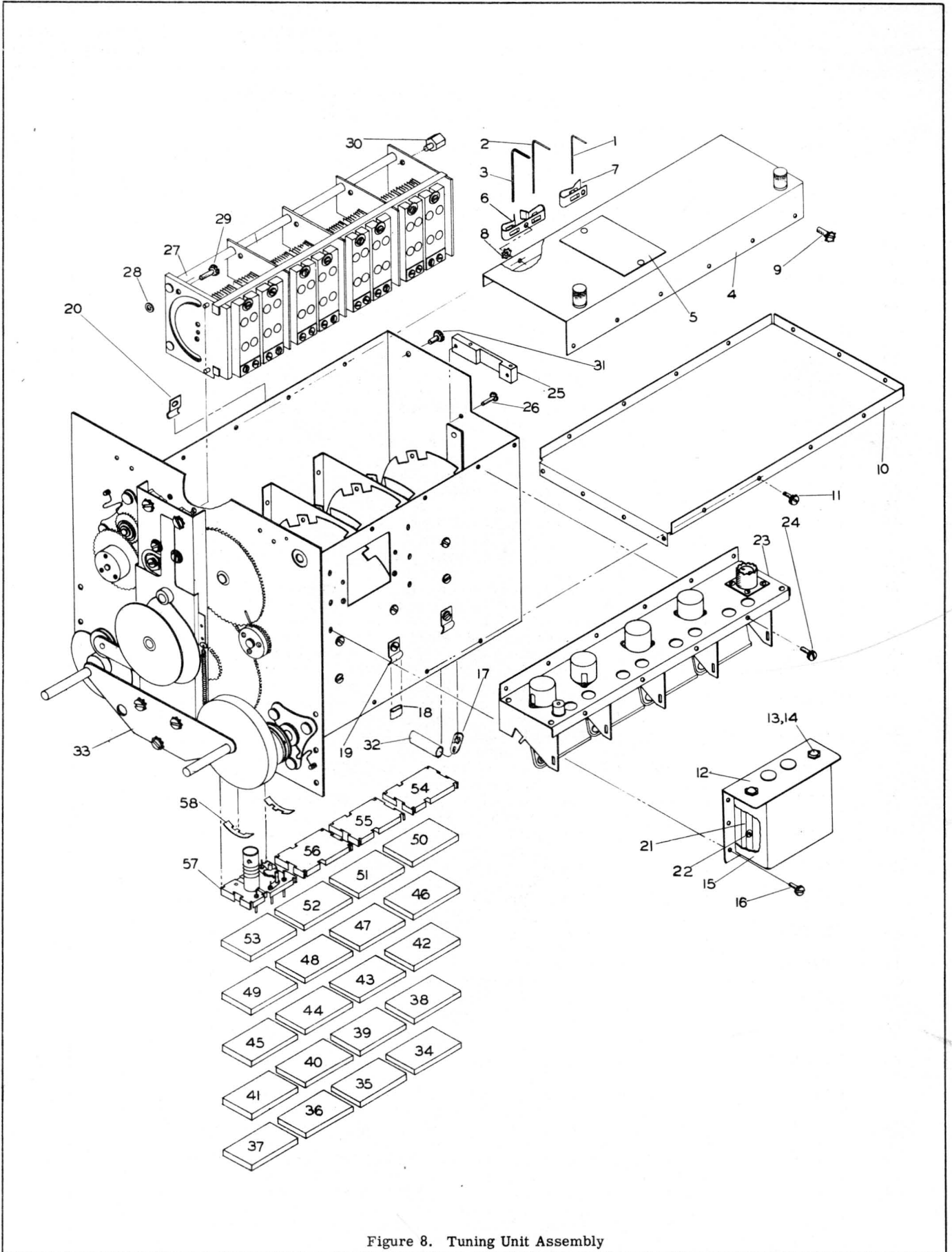


Figure 8. Tuning Unit Assembly

FIG & INDEX NO.	PART NUMBER	REF SYMBOL	NAME AND DESCRIPTION							UNITS PER ASSY	APPLI- CATION
			1	2	3	4	5	6	7		
RADIO RECEIVER SP-600-JX, RACK MOUNTINGS TUNING UNIT ASSEMBLY (cont)											
8-16	Coml	-	.	Screw, mach: slot drive, binding hd; steel cad. pl; No. 6-32, 1/4 in. lg; incl ext tooth cad. pl washer 0.270 in. dia x 0.021 in. thick; (IFCO) (Att. Pt.)						6	
-17	2104-6	-	.	Terminal, lug: cad. pl (SH)						1	
-18	Coml	-	.	Tubing: covers mixer plate cable at clamps; plastic vinylite, blk. hyflex No. 1 wire size; (IVI)						AR	
-19	78	-	.	Clamp (ZE) (Att. Pt.)						4	
-20	139	-	.	Clamp (ZE) (Att. Pt.)						2	
-21	31183-1	T1	.	Mixer Plate Coil Assembly (See Figure 13 for assy breakdown)						1	
-22	Coml	-	.	Screw, mach: slot drive; rd hd; steel cad. pl; No. 6-32, 5/8 in. lg; incl ext tooth cad. pl washer 0.270 in. dia x 0.021 in. thick; (IFCO) (Att. Pt.)						4	
-23	31231-1	-	.	R-F Wiring Assembly (See Figure 12 for assy breakdown)						1	
-24	Coml	-	.	Screw, mach: slot drive; binding hd; steel cad. pl; No. 6-32, 1/4 in. lg; incl ext tooth cad. pl washer 0.270 in. dia x 0.021 in. thick; (IFCO) (Att. Pt.)						8	
-25	31155-1	-	.	Plate, anchor						1	
-26	Coml	-	.	Screw, mach: slot drive; binding hd; steel cad. pl; No. 6-32, 1/4 in. lg; incl ext tooth steel cad. pl washer 0.270 in. dia x 0.021 in. thick; (IFCO) (Att. Pt.)						2	
-27	34001-1	C1	.	Capacitor, variable: air dielectric						1	
-28	31119-1	-	.	Washer, flat						1	
-29	Coml	-	.	Screw, mach: slot drive; binding hd; steel cad. pl; No. 10-32, 1/2 in. lg; incl ext tooth steel cad. pl washer 0.408 in. dia x 0.024 in. thick; (IFCO) (Att. Pt.)						1	
-30	31129-1	-	.	Stud						1	
-31	Coml	-	.	Screw, mach: slot drive; binding hd; steel cad. pl; No. 10-32, 5/16 in. lg; incl ext tooth steel cad. pl washer 0.408 in. dia x 0.024 in. thick; (IFCO) (Att. Pt.)						1	
-32	Coml	C102	.	Capacitor, fixed: 22000 mmf (AEV, type P488 or P487)						1	
-33	31291-1	-	.	Gear Train Assembly (See Figure 9 for assy breakdown)						1	
-34	31387-1	E61	.	Tuner, RF: input; 0.54 to 1.35 MC (See Figure 14 for assy breakdown)						1	
-35	31386-1	E68	.	Tuner, RF: interstage; 0.54 to 1.35 MC (See Figure 15 for assy breakdown)						1	
-36	31386-1	E75	.	Tuner, RF: interstage; 0.54 to 1.35 MC (See Figure 15 for assy breakdown)						1	
-37	31385-1	E85	.	Tuner, RF: h-f osc; 0.54 to 1.35 MC (See Figure 16 for assy breakdown)						1	
-38	31390-1	E62	.	Tuner, RF: input; 1.35 to 3.45 MC (See Figure 17 for assy breakdown)						1	
-39	31389-1	E69	.	Tuner, RF: interstage; 1.35 to 3.45 MC (See Figure 18 for assy breakdown)						1	
-40	31389-1	E76	.	Tuner, RF: interstage; 1.35 to 3.45 MC (See Figure 18 for assy breakdown)						1	
-41	31388-1	E86	.	Tuner, RF: h-f osc; 1.35 to 3.45 MC (See Figure 19 for assy breakdown)						1	
-42	31393-1	E63	.	Tuner, RF: input; 3.45 to 7.4 MC (See Figure 20 for assy breakdown)						1	
-43	31392-1	E70	.	Tuner, RF: interstage; 3.45 to 7.4 MC (See Figure 21 for assy breakdown)						1	
-44	31392-1	E77	.	Tuner, RF: interstage; 3.45 to 7.4 MC (See Figure 21 for assy breakdown)						1	
-45	31391-1	E87	.	Tuner, RF: h-f osc; 3.45 to 7.4 MC (See Figure 22 for assy breakdown)						1	
-46	31396-1	E64	.	Tuner, RF: input; 7.4 to 14.8 MC (See Figure 23 for assy breakdown)						1	
-47	31395-1	E71	.	Tuner, RF: interstage; 7.4 to 14.8 MC (See Figure 24 for assy breakdown)						1	
-48	31395-1	E78	.	Tuner, RF: interstage; 7.4 to 14.8 MC (See Figure 24 for assy breakdown)						1	
-49	31394-1	E88	.	Tuner, RF: h-f osc; 7.4 to 14.8 MC (See Figure 25 for assy breakdown)						1	
-50	31399-1	E65	.	Tuner, RF: input; 14.8 to 29.7 MC (See Figure 26 for assy breakdown)						1	
-51	31398-1	E72	.	Tuner, RF: interstage; 14.8 to 29.7 MC (See Figure 27 for assy breakdown)						1	

FIG & INDEX NO.	PART NUMBER	REF SYMBOL	NAME AND DESCRIPTION							UNITS PER ASSY	APPLI- CATION
			1	2	3	4	5	6	7		
RADIO RECEIVER SP-600-JX, RACK MOUNTINGS TUNING UNIT ASSEMBLY (cont)											
8-52	31398-1	E79	.	Tuner, RF: interstage; 14.8 to 29.7 MC (See Figure 27 for assy breakdown)						1	
-53	31397-1	E89	.	Tuner, RF: h-f osc; 14.8 to 29.7 MC (See Figure 28 for assy breakdown)						1	
-54	31405-1	E66	.	Tuner, RF: input; 29.7 to 54 MC (See Figure 29 for assy breakdown)						1	
-55	31404-1	E73	.	Tuner, RF: interstage; 29.7 to 54 MC (See Figure 30 for assy breakdown)						1	
-56	31404-1	E80	.	Tuner, RF: interstage; 29.7 to 54 MC (See Figure 30 for assy breakdown)						1	
-57	31403-1	E90	.	Tuner, RF: h-f osc; 29.7 to 54 MC (See Figure 31 for assy breakdown)						1	
-58	31003-1	-	.	Spring: flat type; retainer for r-f tuner (Att. Pt.)						48	
RADIO RECEIVER SP-600-JX, RACK MOUNTINGS GEAR TRAIN ASSEMBLY											
9	31291-1	-	.	Gear Train Assembly (See Figure 8-33 for next higher assy)						Ref	
-1	31201-1	-	.	Cam (incl two No. 8-32 set screws)						1	
-2	31126-1	-	.	Spring: helical						1	
-3	31125-1	-	.	Spring: helical						1	
-4	31198-1	-	.	Lever Assembly (incl two No. 8-32 set screws)						1	
-5	31205-1	-	.	Spring: helical						2	
-6	31177-1	-	.	Roller, lever: assembly						1	
-7	31059-1	-	.	Post, mounting						3	
-8	Coml	-	.	Screw, mach: slot drive; binding hd; steel cad. pl; No. 10-32, 1/2 in. lg; incl ext tooth steel cad. pl washer 0.408 in. dia x 0.024 in. thick; (IFCO) (Att. Pt.)						3	
-9	31050-1	-	.	Plate, bearing						1	
-10	31047-1	-	.	Plate, bearing						1	
-11	Coml	-	.	Screw, mach: slot drive; binding hd; steel cad. pl; No. 10-32, 1/2 in. lg; incl ext tooth steel cad. pl washer 0.408 in. dia x 0.024 in. thick; (IFCO) (Att. Pt.)						3	
-12	Coml	-	.	Screw, mach: slot drive; binding hd; steel cad. pl; No. 8-32, 5/16 in. lg; incl ext tooth steel cad. pl washer 0.317 in. dia x 0.021 in. thick; (IFCO) (Att. Pt.)						2	
-13	31189-1	-	.	Disk, retainer						4	
-14	Coml	-	.	Screw, mach: slot drive; binding hd; steel cad. pl; No. 4-40, 1/4 in. lg; incl ext tooth steel cad. pl washer 0.254 in. dia x 0.019 in. thick; (IFCO) (Att. Pt.)						4	
-15	31202-1	-	.	Bracket: metal slide and one roller						1	
-16	31288-1	-	.	Gear Assembly: shaft, gear, and hub assy						1	
-17	Coml	-	.	Screw, mach: slot drive; binding hd; steel cad. pl; No. 6-32, 3/8 in. lg; incl ext tooth steel cad. pl washer 0.270 in. dia x 0.021 in. thick; (IFCO) (Att. Pt.)						3	
-18	10003-6	-	.	Bearing, ball						1	
-19	10012-67	-	.	Nut, hex						1	
-20	10027-13	-	.	Ball, bearing						2	
-21	31150-1	-	.	Gear Assembly: gear and drive pin assy						1	
-22	31169-1	-	.	Flywheel						1	
-23	31164-1	-	.	Wheel, idler						1	
-24	31052-1	-	.	Gear Assembly: carries cam						1	
-25	31173-1	-	.	Cam (incl two No. 8-32 set screws)						1	
-26	31098-1	-	.	Gear: two, spur type						1	
-27	31095-1	-	.	Gear: spur type (incl dial stop pin)						1	
-28	31096-1	-	.	Gear: spur type						1	
-29	31097-1	-	.	Gear: spur type						1	
-30	WA510	-	.	Ring, retainer: "C" shape, cad. pl (NL)						4	
-31	31287-1	-	.	Gear Assembly: two gears; spur type						1	
-32	Coml	-	.	Screw, mach: slot drive; binding hd; steel cad. pl; No. 6-32, 3/8 in. lg; incl ext tooth steel cad. pl washer 0.270 in. dia x 0.021 in. thick; (IFCO) (Att. Pt.)						2	
-33	31085-1	-	.	Plate, anchor						1	
-34	Coml	-	.	Screw, mach: slot drive; rd hd; steel cad. pl; No. 6-32, 7/16 in. lg; incl ext tooth steel cad. pl 0.270 in. dia x 0.021 in. thick; (IFCO) (Att. Pt.)						2	

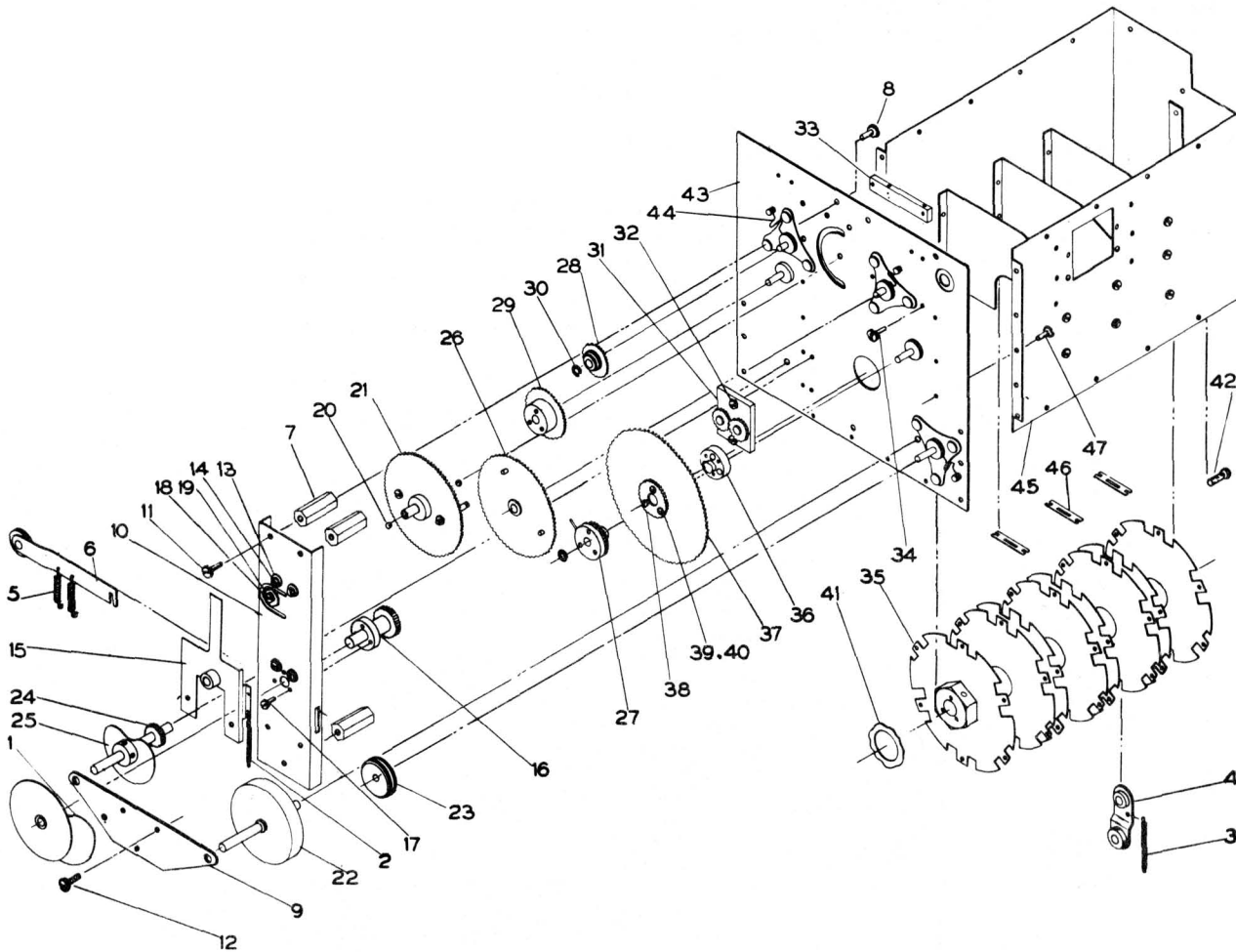


Figure 9. Gear Train Assembly

FIG & INDEX NO.	PART NUMBER	REF SYMBOL	NAME AND DESCRIPTION							UNITS PER ASSY	APPLI- CATION	
			1	2	3	4	5	6	7			
			RADIO RECEIVER SP-600-JX, RACK MOUNTINGS GEAR TRAIN ASSEMBLY (cont)									
9-35	31137-1	-	.								1	
-36	31063-1	-	.								1	
-37	31036-1	-	.								1	
-38	31037-1	-	.								1	
-39	Com1	-	.								6	
-40	Com1	-	.								6	
-41	31277-1	-	.								1	
-42	11890-1	-	.								1	
-43	31166-1	-	.								1	
-44	31239-1	-	.								3	
-45	31285-1	-	.								1	
-46	31279-1	-	.								3	
-47	Com1	-	.								10	

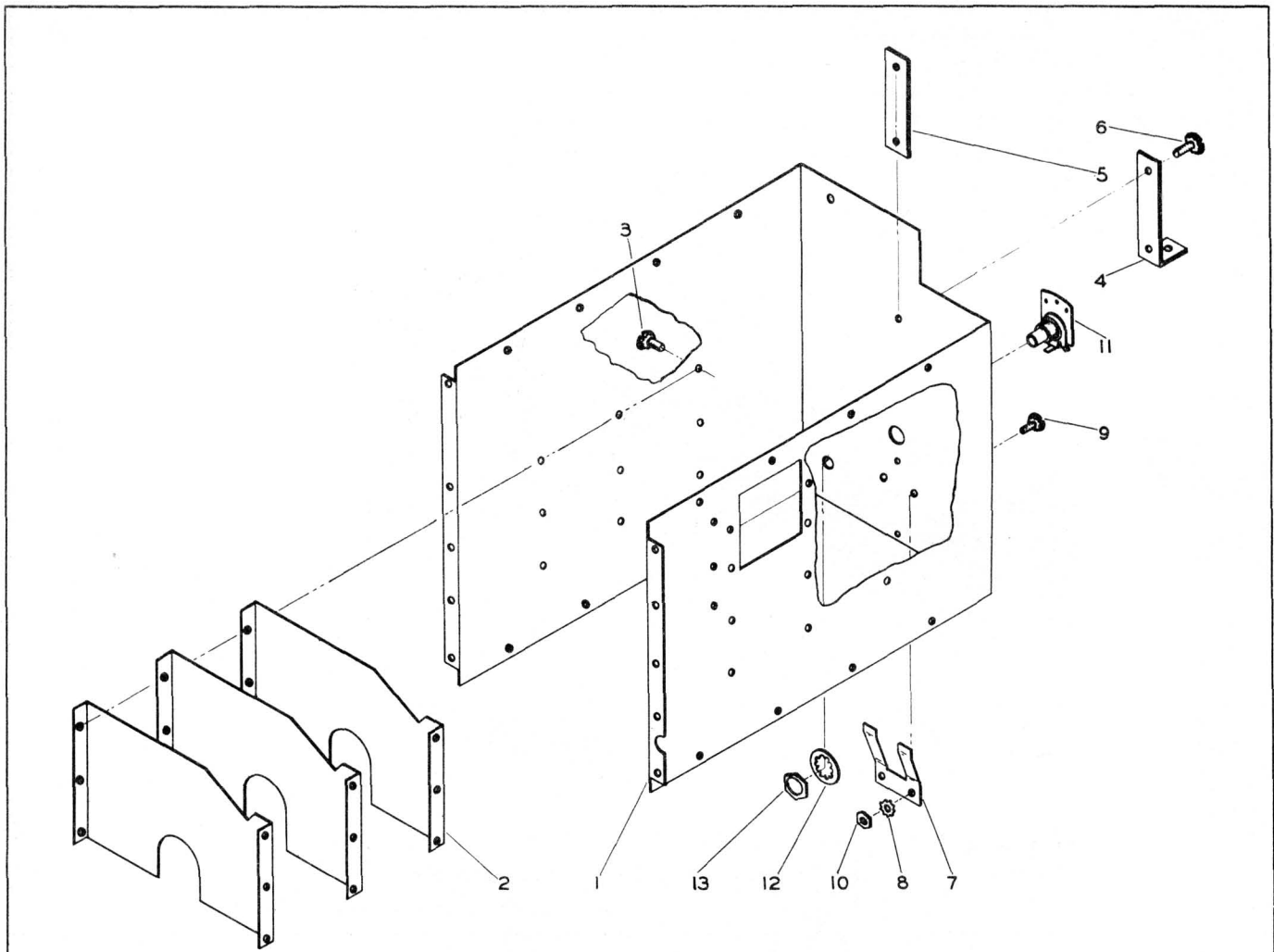


Figure 10. Tuning Unit Shield Assembly

FIG & INDEX NO.	PART NUMBER	REF SYMBOL	NAME AND DESCRIPTION							UNITS PER ASSY	APPLI-CATION
			1	2	3	4	5	6	7		
10	31285	-	RADIO RECEIVER SP-600-JX, RACK MOUNTINGS TUNING UNIT SHIELD ASSEMBLY								
										Ref	
-1	31080-1	-								1	
-2	31117-1	-								3	
-3	Coml	-									
-4	31144-1	-								16	
-5	31142-1	-								1	
-6	Coml	-									
-7	31278-1	-								2	
-8	AN936B6	-								1	
-9	Coml	-								2	
-10	10012-41	-								2	
-11	15862-1	S4								1	
-12	AN936A616	-								1	
-13	10012-90	-								1	

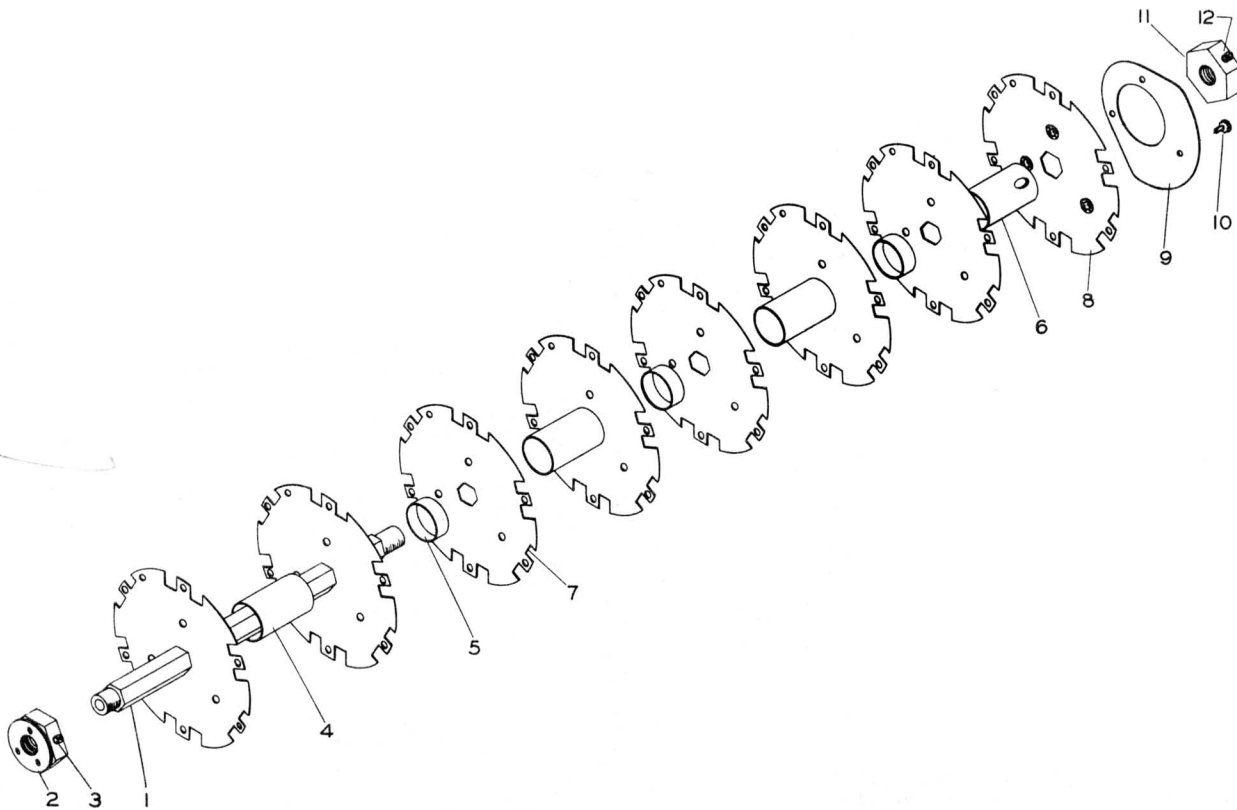


Figure 11. Mounting Disc and Shaft Assembly

FIG & INDEX NO.	PART NUMBER	REF SYMBOL	NAME AND DESCRIPTION							UNITS PER ASSY	APPLI-CATION
			1	2	3	4	5	6	7		
			RADIO RECEIVER SP-600-JX, RACK MOUNTINGS MOUNTING DISC AND SHAFT ASSEMBLY								
11	31137-1	-	Mounting Disc and Shaft Assembly (See Figure 9-35 for next higher assy)							Ref	
-1	31077-1	-	. Shaft							1	
-2	31078-1	-	. Nut, hex (Att. Pt.)							1	
-3	Com1	-	. Screw, set: No. 8-32, 3/8 in. lg cup point (PHE)							1	
-4	31065-1	-	. Tubing: rigid							3	
-5	31065-2	-	. Tubing: rigid							3	
-6	31066-1	-	. Tubing: rigid							1	
-7	31002-1	-	. Disk, mounting							7	
-8	31204-1	-	. Disk, mounting (incl three spacers)							1	
-9	31192-1	-	. Cam							1	
-10	Com1	-	. Screw, mach: slot drive; binding hd; steel cad. pl; No. 4-40, 1/4 in. lg; incl ext tooth steel cad. pl washer 0.254 in. dia x 0.019 in. thick; (IFCO) (Att. Pt.)							3	
-11	31078-2	-	. Nut, hex (Att. Pt.)							1	
-12	Com1	-	. Screw, set: No. 8-32, 3/8 in. lg cup point (PHE)							1	

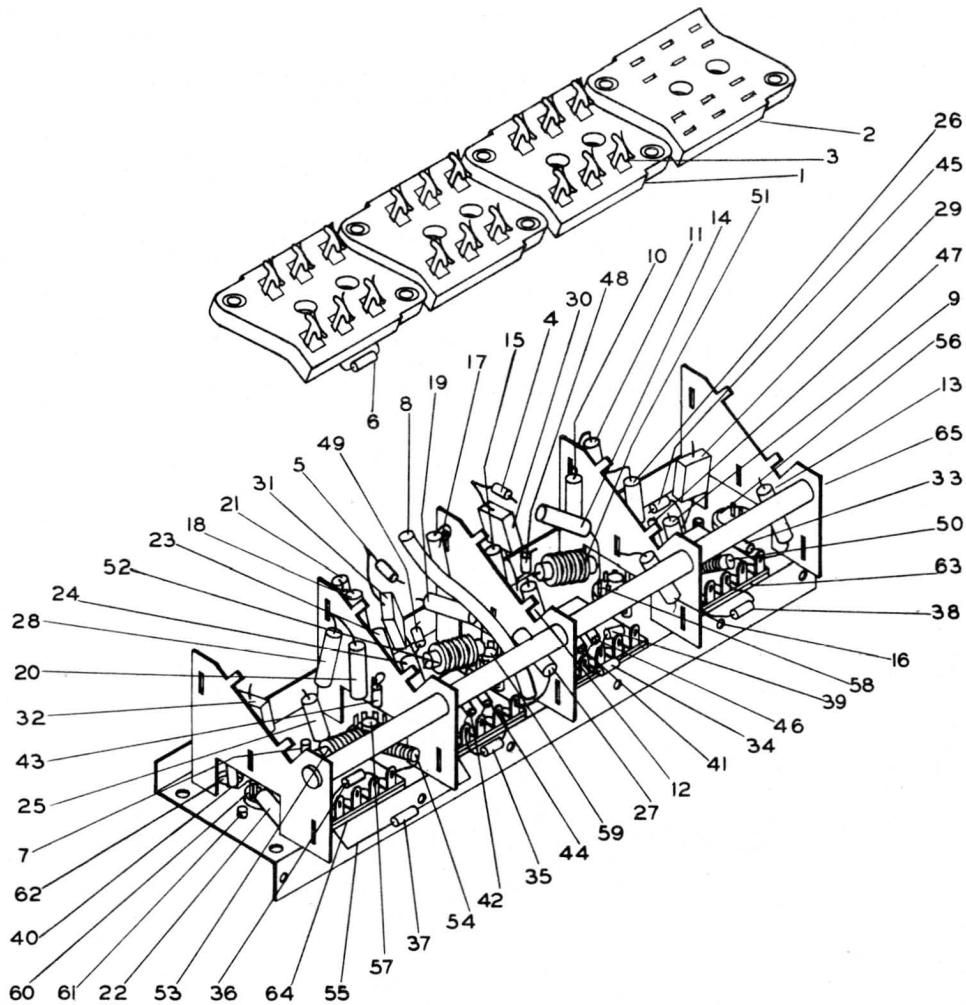


Figure 12. R-F Wiring Assembly

FIG & INDEX NO.	PART NUMBER	REF SYMBOL	NAME AND DESCRIPTION							UNITS PER ASSY	APPLI-CATION
			1	2	3	4	5	6	7		
			RADIO RECEIVER SP-600-JX, RACK MOUNTINGS R-F WIRING ASSEMBLY								
12	31231-1	-	R-F Wiring Assembly (See Figure 8-23 for next higher assy)							Ref	
-1	31234-1	-	. Base and Spring Assembly							4	
-2	31203-1	-	. Plate, switch: incl steatite base and eyelets							4	
-3	31089-1	-	. Contact, switch (BWA)							24	
-4	RC20BF220K	R11	. Resistor, fixed (JAN-R-11)							1	
-5	RC20BF220K	R21	. Resistor, fixed (JAN-R-11)							1	
-6	CC21UJ050C	C79	. Capacitor, fixed (JAN-C-20A)							1	
-7	CC21UJ050C	C80	. Capacitor, fixed (JAN-C-20A)							1	
-8	Coml	-	. Tubing: on five wires; plastic vinylite, black; hyflex, wire size No. 1/4; (IVI)							AR	
-9	Coml	C19	. Capacitor, fixed: 10,000 mmf (AEV type P488 or P487)							1	
-10	Coml	C20	. Capacitor, fixed: 10,000 mmf (AEV type P488 or P487)							1	
-11	Coml	C21	. Capacitor, fixed: 10,000 mmf (AEV type P488 or P487)							1	
-12	Coml	C22	. Capacitor, fixed: 10,000 mmf (AEV type P488 or P487)							1	
-13	Coml	C23	. Capacitor, fixed: 10,000 mmf (AEV type P488 or P487)							1	
-14	Coml	C24	. Capacitor, fixed: 10,000 mmf (AEV type P488 or P487)							1	
-15	Coml	C40	. Capacitor, fixed: 10,000 mmf (AEV type P488 or P487)							1	
-16	Coml	C41	. Capacitor, fixed: 10,000 mmf (AEV type P488 or P487)							1	
-17	Coml	C42	. Capacitor, fixed: 10,000 mmf (AEV type P488 or P487)							1	

FIG & INDEX NO.	PART NUMBER	REF SYMBOL	NAME AND DESCRIPTION							UNITS PER ASSY	APPLI- CATION
			1	2	3	4	5	6	7		
			RADIO RECEIVER SP-600-JX, RACK MOUNTINGS R-F WIRING ASSEMBLY (cont)								
12-18	Coml	C43	.	Capacitor, fixed: 10,000 mmf (AEV type P488 or P487)						1	
-19	Coml	C44	.	Capacitor, fixed: 10,000 mmf (AEV type P488 or P487)						1	
-20	Coml	C66	.	Capacitor, fixed: 10,000 mmf (AEV type P488 or P487)						1	
-21	Coml	C68	.	Capacitor, fixed: 10,000 mmf (AEV type P488 or P487)						1	
-22	Coml	C71	.	Capacitor, fixed: 10,000 mmf (AEV type P488 or P487)						1	
-23	Coml	C72	.	Capacitor, fixed: 10,000 mmf (AEV type P488 or P487)						1	
-24	Coml	C73	.	Capacitor, fixed: 10,000 mmf (AEV type P488 or P487)						1	
-25	Coml	C74	.	Capacitor, fixed: 10,000 mmf (AEV type P488 or P487)						1	
-26	Coml	C153	.	Capacitor, fixed: 10,000 mmf (AEV type P488 or P487)						1	
-27	Coml	C154	.	Capacitor, fixed: 10,000 mmf (AEV type P488 or P487)						1	
-28	Coml	C155	.	Capacitor, fixed: 10,000 mmf (AEV type P488 or P487)						1	
-29	CM20C101G	C18	.	Capacitor, fixed (JAN-C-5)						1	
-30	CM20C101G	C25	.	Capacitor, fixed (JAN-C-5)						1	
-31	CM20C101G	C45	.	Capacitor, fixed (JAN-C-5)						1	
-32	CM20C101G	C75	.	Capacitor, fixed (JAN-C-5)						1	
-33	RC20BF102K	R4	.	Resistor, fixed (JAN-R-11)						1	
-34	RC20BF102K	R6	.	Resistor, fixed (JAN-R-11)						1	
-35	RC20BF102K	R16	.	Resistor, fixed (JAN-R-11)						1	
-36	RC20BF102K	R29	.	Resistor, fixed (JAN-R-11)						1	
-37	RC20BF102K	R30	.	Resistor, fixed (JAN-R-11)						1	
-38	RC20BF103J	R2	.	Resistor, fixed (JAN-R-11)						1	
-39	RC20BF103J	R12	.	Resistor, fixed (JAN-R-11)						1	
-40	RC20BF473K	R22	.	Resistor, fixed (JAN-R-11)						1	
-41	RC20BF511J	R5	.	Resistor, fixed (JAN-R-11)						1	
-42	RC20BF511J	R15	.	Resistor, fixed (JAN-R-11)						1	
-43	RC20BF151J	R27	.	Resistor, fixed (JAN-R-11)						1	
-44	RC20BF682K	R28	.	Resistor, fixed (JAN-R-11)						1	
-45	RC20BF333J	R3	.	Resistor, fixed (JAN-R-11)						1	
-46	RC20BF333J	R14	.	Resistor, fixed (JAN-R-11)						1	
-47	19317-76	R1	.	Resistor, fixed: 510K ohms $\pm 5\%$, 1/3 w; (IRC type BTR)						1	
-48	19317-76	R13	.	Resistor, fixed: 510K ohms $\pm 5\%$, 1/3 w; (IRC type BTR)						1	
-49	19317-76	R26	.	Resistor, fixed: 510K ohms $\pm 5\%$, 1/3 w; (IRC type BTR)						1	
-50	15611-1	L48	.	Coil, RF: filament choke						1	
-51	15612-1	L7	.	Coil, RF: plate choke						1	
-52	15612-1	L14	.	Coil, RF: plate choke						1	
-53	15612-1	L24	.	Coil, RF: plate choke						1	
-54	15613-1	L49	.	Coil, RF: filament choke						1	
-55	Coml	-	.	Tubing: covers bare wire; extruded plastic vinylite, black; hyflex, wire size No. 17 (IVI)						AR	
-56	83-22R	J1	.	Connector, female contacts (AMP)						1	
-57	TSE7T102	X5	.	Socket, tube (JAN-S-28A)						1	
-58	TSE7T101	X1	.	Socket, tube (JAN-S-28A)						1	
-59	TSE7T101	X2	.	Socket, tube (JAN-S-28A)						1	
-60	15989-5	X4	.	Socket, tube (incl metal shock shield, no center shield) (otherwise JAN-S-28A)						1	
-61	35014-1	-	.	Screw, mach: slot drive; rd hd; steel cad. pl; No. 4-40, 1/4 in. lg; incl split, steel cad. pl washer 0.200 in. dia x 1/32 in. thick; (IFCO) (Att. Pt. for Items 56, 57, 58, 59, and 60)						12	
-62	16619-5	-	.	Insulator, bushing: isolantite (ISO No. 915-LGB modified, omit lug and eyelet)						1	
-63	31225-1	-	.	Board, terminal						3	
-64	31226-1	-	.	Board, terminal						1	
-65	31136-1	-	.	Plate, mounting						1	

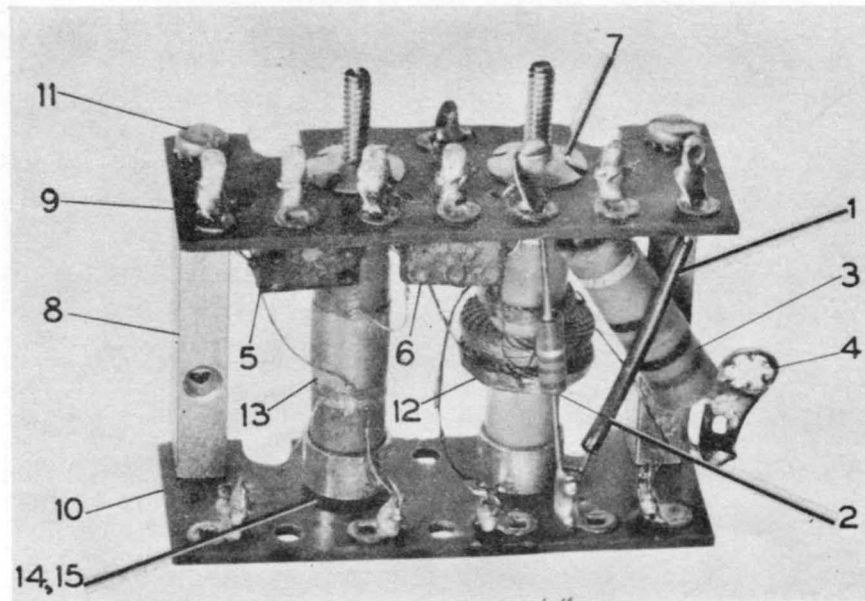


Figure 13. Mixer Plate Coil Assembly

FIG & INDEX NO.	PART NUMBER	REF SYMBOL	NAME AND DESCRIPTION							UNITS PER ASSY	APPLI-CATION
			1	2	3	4	5	6	7		
			RADIO RECEIVER SP-600-JX, RACK MOUNTINGS MIXER PLATE COIL ASSEMBLY								
13	31183-1	T1	Mixer Plate Coil Assembly (See Figure 8-21 for next higher assy)							Ref	
-1	Coml	-	. Tubing: covers bare wire; extruded plastic vinylite, black; hyflex, wire size No. 17 (IVI)							AR	
-2	RC20BF222K	R31	. Resistor, fixed (JAN-R-11)							1	
-3	Coml	C70	. Capacitor, fixed: 10,000 mmf; (AEV type P488 or P487)							1	
-4	2104-6	-	. Terminal, lug; cad. pl (SH)							1	
-5	CM30C850G	C67	. Capacitor, fixed (JAN-C-5)							1	
-6	CM20C221G	C69	. Capacitor, fixed (JAN-C-5)							1	
-7	11-593-A	-	. Spring: flat type; cad. pl (SKL) (Att. Pt.)							2	
-8	31179-1	-	. Post, supporting							2	
-9	31181-1	-	. Board, terminal							1	
-10	31182-1	-	. Board, terminal							1	
-11	Coml	-	. Screw, mach: slot drive; binding hd; steel cad. pl; No. 6-32, 5/16 in. lg; incl ext tooth, steel cad. pl washer 0.270 in. dia x 0.021 in. thick; (IFCO) (Att. Pt.)							4	
-12	31069-1	L32	. Transformer, IF: 455 kc; mixer output							1	
-13	31103-1	L31	. Transformer, IF: 3,955 kc; mixer output							1	
-14	AN936B6	-	. Washer, lock (Att. Pt.)							2	
-15	Coml	-	. Screw, mach: slot drive; binding hd; steel cad. pl; No. 6-32, 1/4 in. lg; incl ext tooth steel cad. pl washer 0.270 in. dia x 0.021 in. thick; (IFCO) (Att. Pt.)							2	
			RADIO RECEIVER SP-600-JX, RACK MOUNTINGS TUNER, RF 0.54 TO 1.35 MC (INPUT)								
14	31387-1	E61	Tuner, RF(See Figure 8-34 for next higher assy)							Ref	
-1	Coml	C3	. Capacitor, fixed: 10,000 mmf; (AEV type P488 or P487)							1	
-2	31245-1	L1	. Coil, RF: antenna							1	
-3	31004-1	-	. Spring: flat type							2	
-4	31427-1	-	. Trimmer and Base Assembly							1	

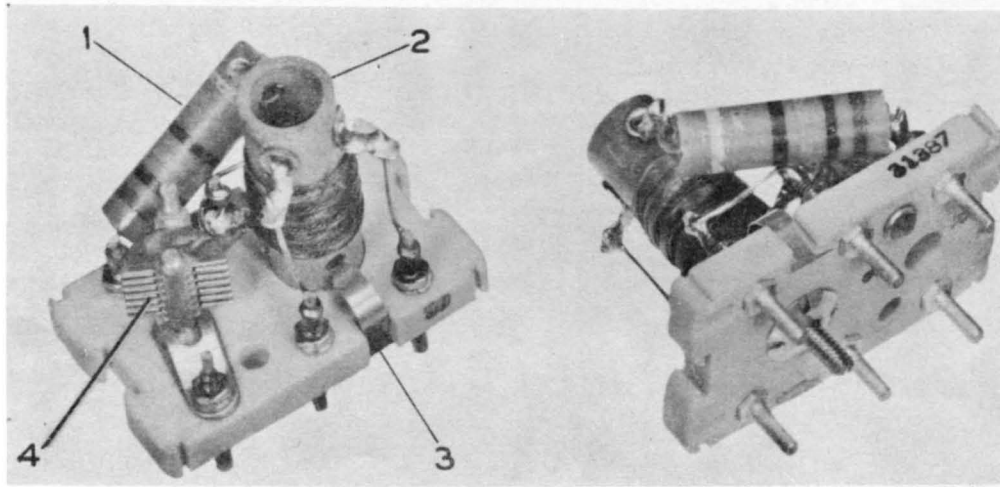


Figure 14. Tuner, RF 0.54 to 1.35 MC (Input)

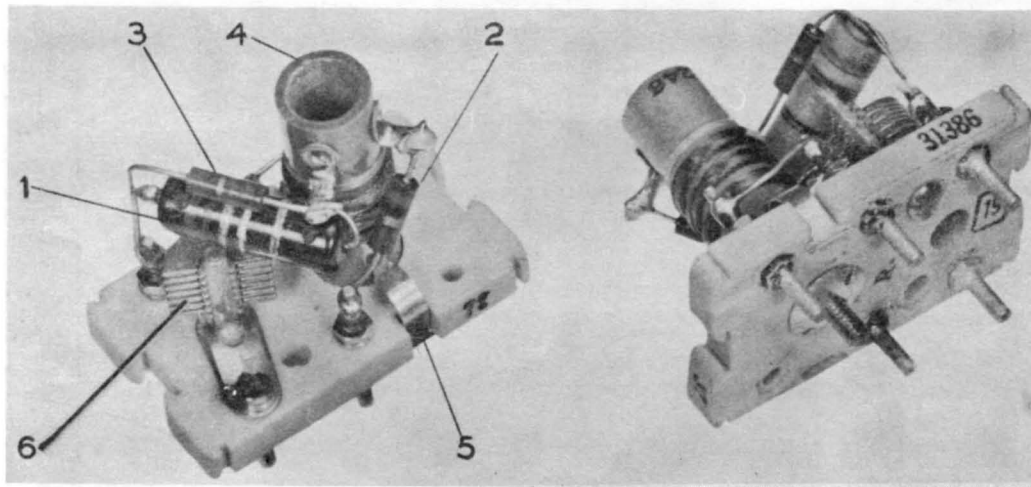


Figure 15. Tuner, RF 0.54 to 1.35 MC (Interstage)

FIG & INDEX NO.	PART NUMBER	REF SYMBOL	NAME AND DESCRIPTION							UNITS PER ASSY	APPLI- CATION
			1	2	3	4	5	6	7		
			RADIO RECEIVER SP-600-JX, RACK MOUNTINGS TUNER, RF 0.54 TO 1.35 MC (INTERSTAGE)								
15	31386-1	E68								Ref	c
15	31386-1	E75								Ref	d
-1	Com1	C27								1	c
-1	Com1	C47								1	d
-2	RC20BF510J	R7								1	c
-2	RC20BF510J	R17								1	d
-3	RC20BF511J	R103								1	c
-3	RC20BF511J	R104								1	d
-4	31246-1	L8								1	c
-4	31246-1	L15								1	d
-5	31004-1	-								2	
-6	31428-1	-								1	

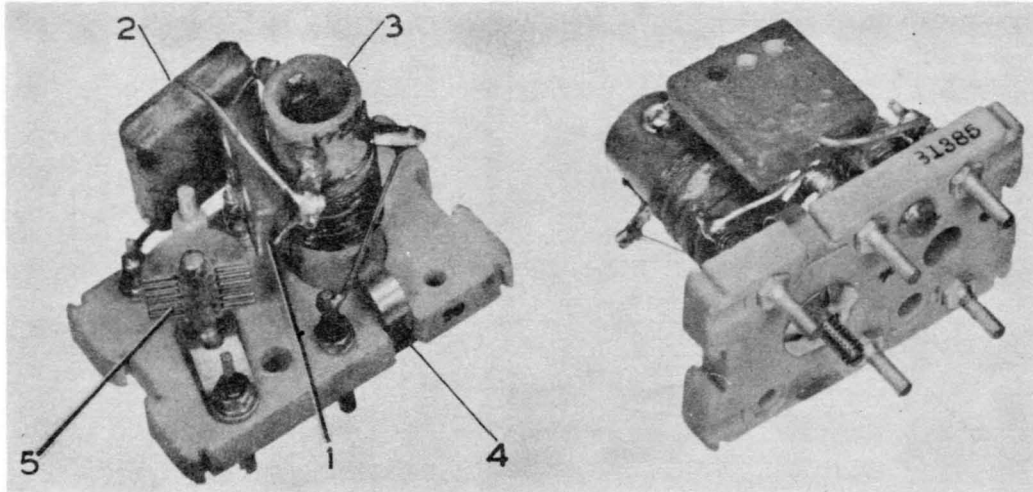


Figure 16. Tuner, RF 0.54 to 1.35 MC (HF OSC)

FIG & INDEX NO.	PART NUMBER	REF SYMBOL	NAME AND DESCRIPTION							UNITS PER ASSY	APPLI-CATION
			1	2	3	4	5	6	7		
			RADIO RECEIVER SP-600-JX, RACK MOUNTINGS TUNER, RF 0.54 TO 1.35 MC (HF OSC)								
16	31385-1	E85	Tuner, RF (See Figure 8-37 for next higher assy)							Ref	
-1	23071-67	C78	. Capacitor, fixed: 404 mmf; (AEV type No. 1469)							1	
-2	CM30C332G	C77	. Capacitor, fixed (JAN-C-5)							1	
-3	31244-1	L25	. Coil, RF: h-f osc							1	
-4	31004-1	-	. Spring: flat type							2	
-5	31428-1	-	. Trimmer and Base Assembly							1	

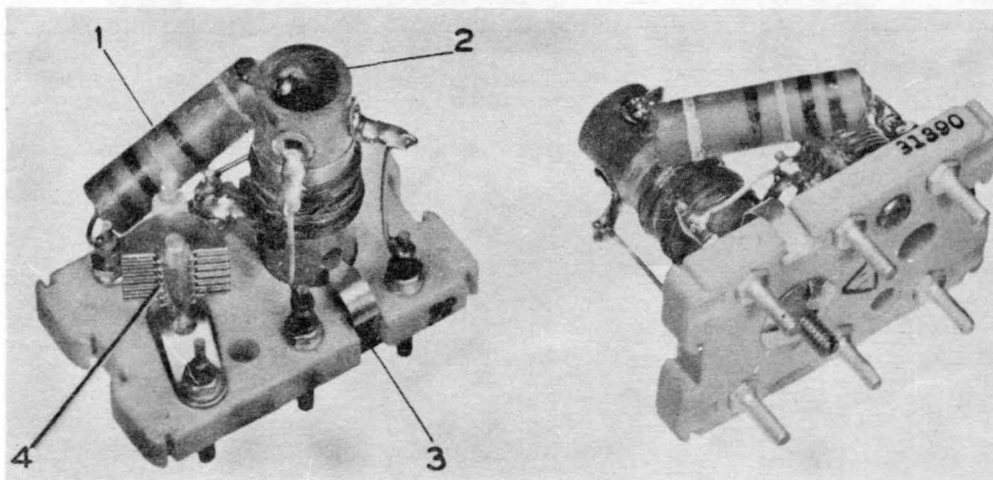


Figure 17. Tuner, RF 1.35 to 3.45 MC (Input)

			RADIO RECEIVER SP-600-JX, RACK MOUNTINGS TUNER, RF 1.35 TO 3.45 MC (INPUT)								
17	31390-1	E62	Tuner, RF (See Figure 8-38 for next higher assy)							Ref	
-1	Com1	C5	. Capacitor, fixed: 10,000 mmf; (AEV type P488 or P487)							1	
-2	31249-1	L2	. Coil, RF; antenna							1	
-3	31004-1	-	. Spring: flat type							2	
-4	31427-1	-	. Trimmer and Base Assembly							1	

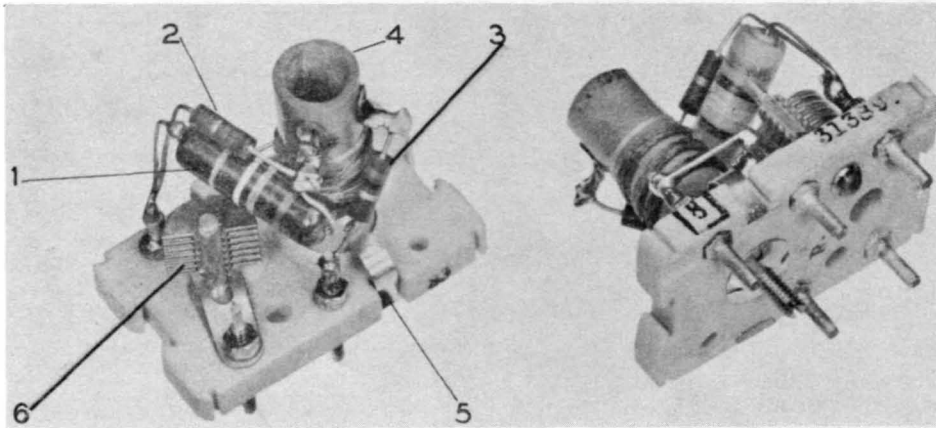


Figure 18. Tuner, RF 1.35 to 3.45 MC (Interstage)

FIG & INDEX NO.	PART NUMBER	REF SYMBOL	NAME AND DESCRIPTION							UNITS PER ASSY	APPLI-CATION
			1	2	3	4	5	6	7		
			RADIO RECEIVER SP-600-JX, RACK MOUNTINGS TUNER, RF 1.35 TO 3.45 MC (INTERSTAGE)								
18	31389-1	E69	Tuner, RF (See Figure 8-39 for next higher assy)							Ref	e
18	31389-1	E76	Tuner, RF (See Figure 8-40 for next higher assy)							Ref	f
-1	Com1	C29	. Capacitor, fixed: 10,000 mmf; (AEV type P488 or P487)							1	e
-1	Com1	C49	. Capacitor, fixed: 10,000 mmf (AEV type P488 or P487)							1	f
-2	RC20BF511J	R105	. Resistor, fixed (JAN-R-11)							1	e
-2	RC20BF511J	R106	. Resistor, fixed (JAN-R-11)							1	f
-3	RC20BF510J	R8	. Resistor, fixed (JAN-R-11)							1	e
-3	RC20BF510J	R18	. Resistor, fixed (JAN-R-11)							1	f
-4	31250-1	L9	. Coil, RF: interstage							1	e
-4	31250-1	L16	. Coil, RF: interstage							1	f
-5	31004-1	-	. Spring: flat type							2	
-6	31428-1	-	. Trimmer and Base Assembly							1	

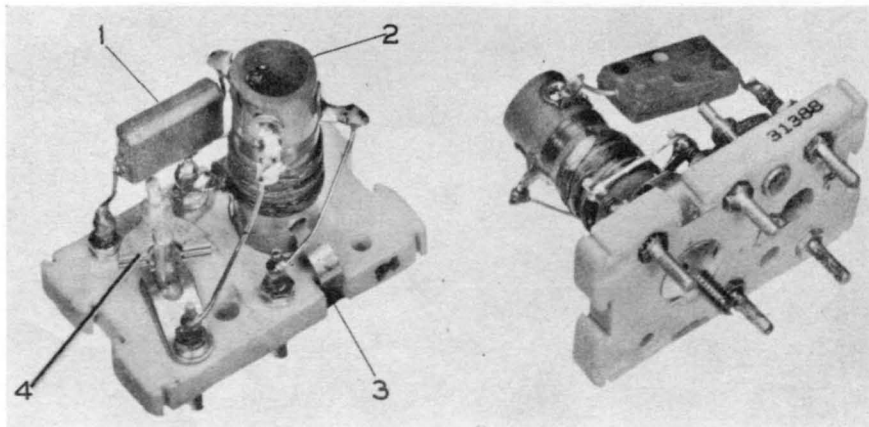


Figure 19. Tuner, RF 1.35 to 3.45 MC (HF OSC)

			RADIO RECEIVER SP-600-JX, RACK MOUNTINGS TUNER, RF 1.35 TO 3.45 MC (HF OSC)								
19	31388-1	E86	Tuner, RF (See Figure 8-41 for next higher assy)							Ref	
-1	CM30C811G	C82	. Capacitor, fixed (JAN-C-5)							1	
-2	31248-1	L26	. Coil, RF: h-f osc							1	
-3	31004-1	-	. Spring: flat type							2	
-4	31430-1	-	. Trimmer and Base Assembly							1	

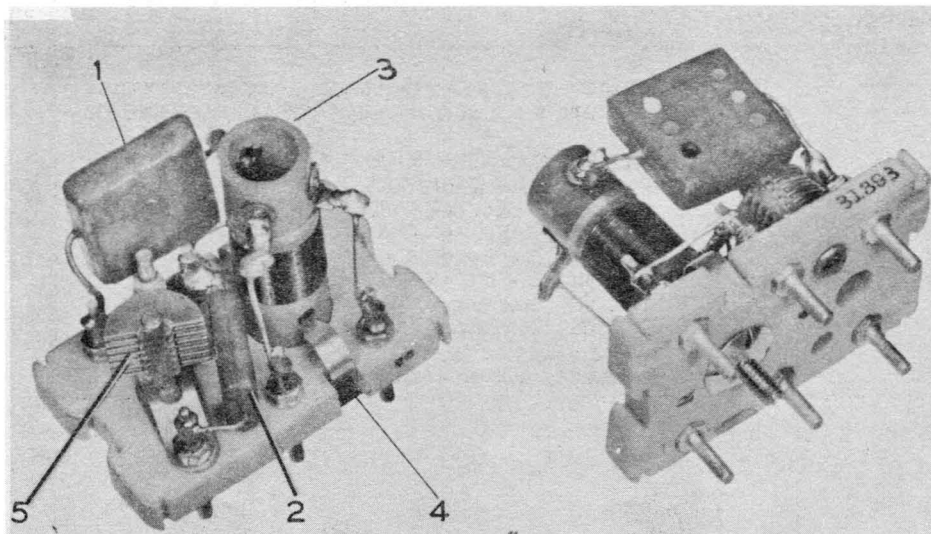


Figure 20. Tuner, RF 3.45 to 7.4 MC (Input)

FIG & INDEX NO.	PART NUMBER	REF SYMBOL	NAME AND DESCRIPTION							UNITS PER ASSY	APPLI-CATION
			1	2	3	4	5	6	7		
			RADIO RECEIVER SP-600-JX, RACK MOUNTINGS TUNER, RF 3.45 TO 7.4 MC (INPUT)								
20	31393-1	E63	Tuner, RF (See Figure 8-42 for next higher assy)							Ref	
-1	CM30C242J	C8	. Capacitor, fixed (JAN-C-5)							1	
-2	CM20C200J	C6	. Capacitor, fixed (JAN-C-5)							1	
-3	31252-1	L3	. Coil, RF: antenna							1	
-4	31004-1	-	. Spring: flat type							2	
-5	31427-1	-	. Trimmer and Base Assembly							1	

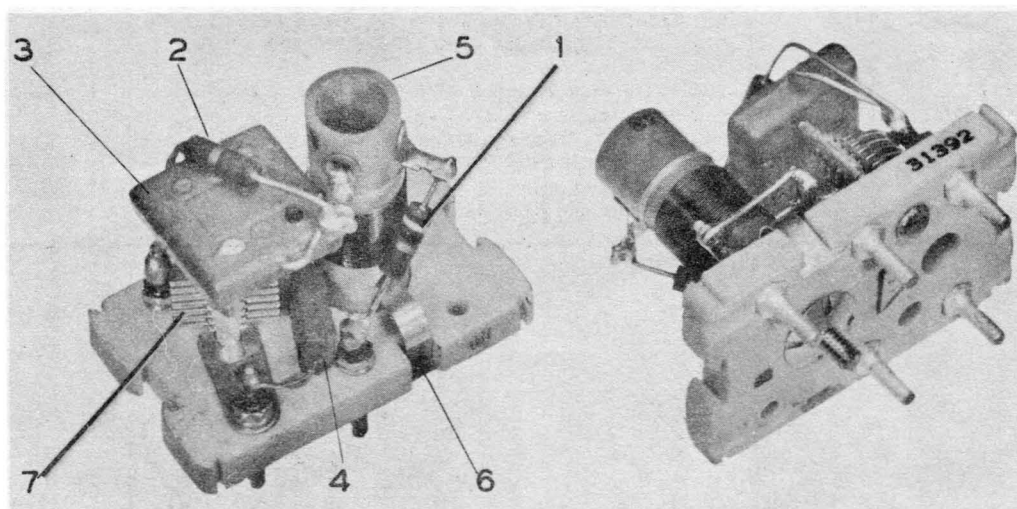


Figure 21. Tuner, RF 3.45 to 7.4 MC (Interstage)

			RADIO RECEIVER SP-600-JX, RACK MOUNTINGS TUNER, RF 3.45 TO 7.4 MC (INTERSTAGE)								
21	31392-1	E70	Tuner, RF (See Figure 8-43 for next higher assy)							Ref	g
21	31392-1	E77	Tuner, RF (See Figure 8-44 for next higher assy)							Ref	h
-1	RC20BF240J	R9	. Resistor, fixed (JAN-R-11)							1	g
-1	RC20BF240J	R19	. Resistor, fixed (JAN-R-11)							1	h

FIG & INDEX NO.	PART NUMBER	REF SYMBOL	NAME AND DESCRIPTION							UNITS PER ASSY	APPLI- CATION
			1	2	3	4	5	6	7		
			RADIO RECEIVER SP-600-JX, RACK MOUNTINGS TUNER, RF 3.45 TO 7.4 MC (INTERSTAGE) (cont)								
21-2	RC20BF511J	R107	.							1	g
-2	RC20BF511J	R108	.							1	h
-3	CM30C242J	C32	.							1	g
-3	CM30C242J	C52	.							1	h
-4	CM20C200J	C30	.							1	g
-4	CM20C200J	C50	.							1	h
-5	31253-1	L10	.							1	g
-5	31253-1	L17	.							1	h
-6	31004-1	-	.							2	
-7	31428-1	-	.							1	

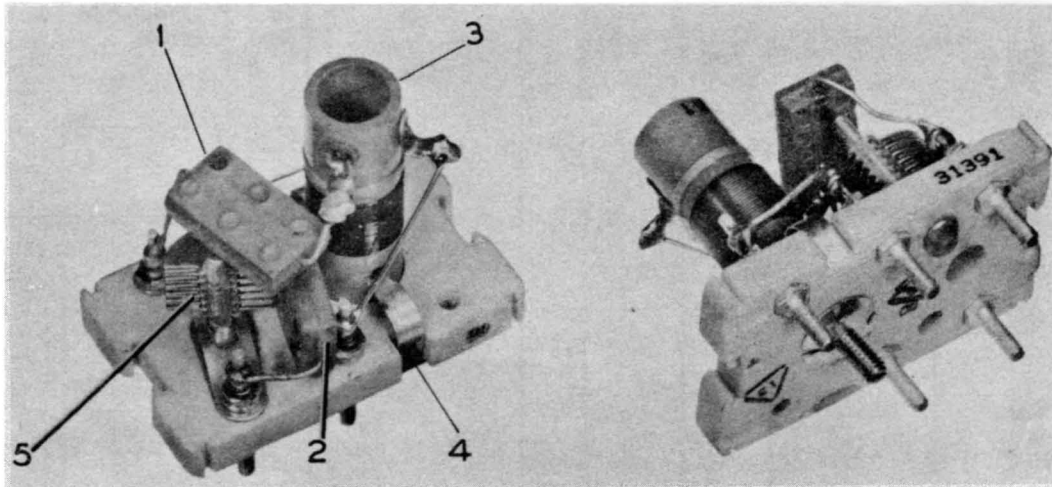


Figure 22. Tuner, RF 3.45 to 7.4 MC (HF OSC)

			RADIO RECEIVER SP-600-JX, RACK MOUNTINGS TUNER, RF 3.45 TO 7.4 MC (HF OSC)								
22	31391-1	E87	.							Ref	
-1	CM30C122G	C85	.							1	
-2	CM20B100K	C83	.							1	
-3	31251	L27	.							1	
-4	31004-1	-	.							2	
-5	31428-1	-	.							1	

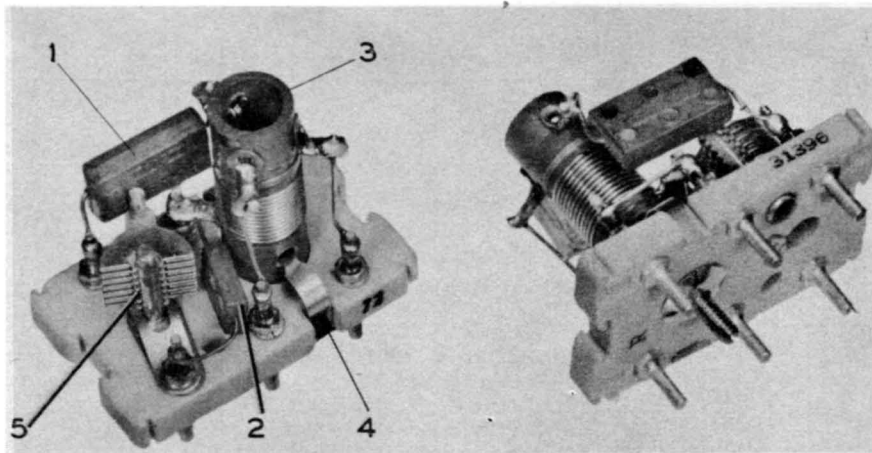


Figure 23. Tuner, RF 7.4 to 14.8 MC (Input)

FIG & INDEX NO.	PART NUMBER	REF SYMBOL	NAME AND DESCRIPTION							UNITS PER ASSY	APPLI-CATION
			1	2	3	4	5	6	7		
			RADIO RECEIVER SP-600-JX, RACK MOUNTINGS TUNER, RF 7.4 TO 14.8 MC (INPUT)								
23	31396-1	E64	Tuner, RF (See Figure 8-46 for next higher assy)							Ref	
-1	CM30C152G	C11	. Capacitor, fixed (JAN-C-5)							1	
-2	CM20C330J	C9	. Capacitor, fixed (JAN-C-5)							1	
-3	31255-1	L4	. Coil, RF: antenna							1	
-4	31004-1	-	. Spring: flat type							2	
-5	31427-1	-	. Trimmer and Base Assembly							1	

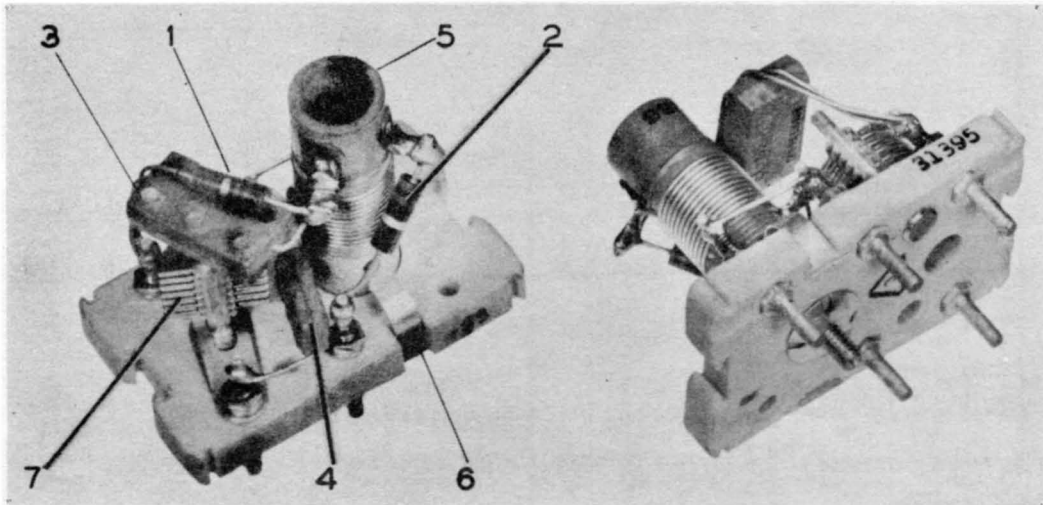


Figure 24. Tuner, RF 7.4 to 14.8 MC (Interstage)

FIG & INDEX NO.	PART NUMBER	REF SYMBOL	NAME AND DESCRIPTION							UNITS PER ASSY	APPLI-CATION
			1	2	3	4	5	6	7		
			RADIO RECEIVER SP-600-JX, RACK MOUNTINGS TUNER, RF 7.4 TO 14.8 MC (INTERSTAGE)								
24	31395-1	E71	Tuner, RF: (See Figure 8-47 for next higher assy)							Ref	i
24	31395-1	E78	Tuner, RF: (See Figure 8-48 for next higher assy)							Ref	j
-1	RC20BF511J	R109	. Resistor, fixed (JAN-R-11)							1	i
-1	RC20BF511J	R110	. Resistor, fixed (JAN-R-11)							1	j
-2	RC20BF220K	R10	. Resistor, fixed (JAN-R-11)							1	i
-2	RC20BF220K	R20	. Resistor, fixed (JAN-R-11)							1	j
-3	CM30C152G	C35	. Capacitor, fixed (JAN-C-5)							1	i
-3	CM30C152G	C55	. Capacitor, fixed (JAN-C-5)							1	j
-4	CM20C330J	C33	. Capacitor, fixed (JAN-C-5)							1	i
-4	CM20C330J	C53	. Capacitor, fixed (JAN-C-5)							1	j
-5	31256-1	L11	. Coil, RF: interstage							1	i
-5	31256-1	L18	. Coil, RF: interstage							1	j
-6	31004-1	-	. Spring: flat type							2	
-7	31428-1	-	. Trimmer and Base Assembly							1	

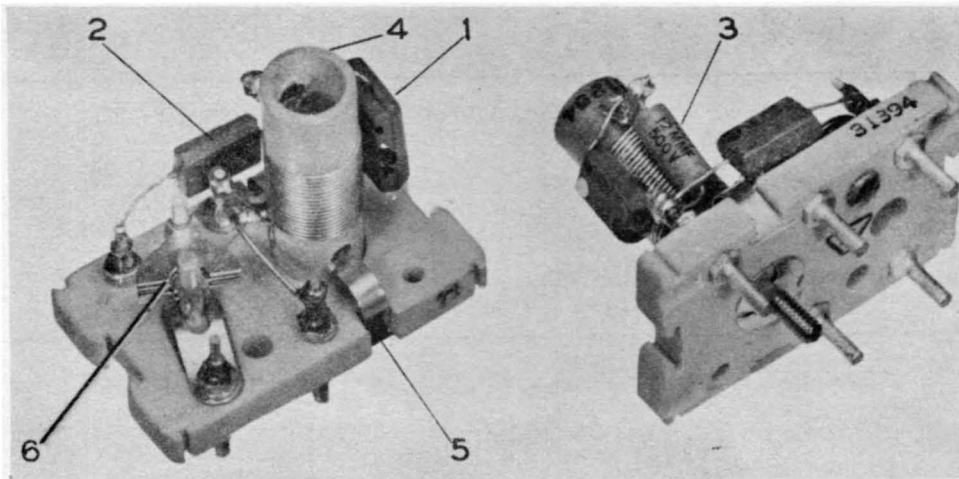


Figure 25. Tuner, RF 7.4 to 14.8 MC (HF OSC)

FIG & INDEX NO.	PART NUMBER	REF SYMBOL	NAME AND DESCRIPTION							UNITS PER ASSY	APPLI- CATION
			1	2	3	4	5	6	7		
			RADIO RECEIVER SP-600-JX, RACK MOUNTINGS TUNER, RF 7.4 TO 14.8 MC (HF OSC)								
25	31394-1	E88	Tuner, RF: (See Figure 8-49 for next higher assy)							Ref	
-1	23071-64	C89	. Capacitor, fixed: mica dielectric; 190 mmf, $\pm 1\%$; (AEV type 1469)							1	
-2	CM20C121G	C87	. Capacitor, fixed (JAN-C-5)							1	
-3	CC21UJ120J	C88	. Capacitor, fixed (JAN-C-20A)							1	
-4	31254-1	L28	. Coil, RF: h-f osc							1	
-5	31004-1	-	. Spring: flat type							2	
-6	31430-1	-	. Trimmer and Base Assembly							1	

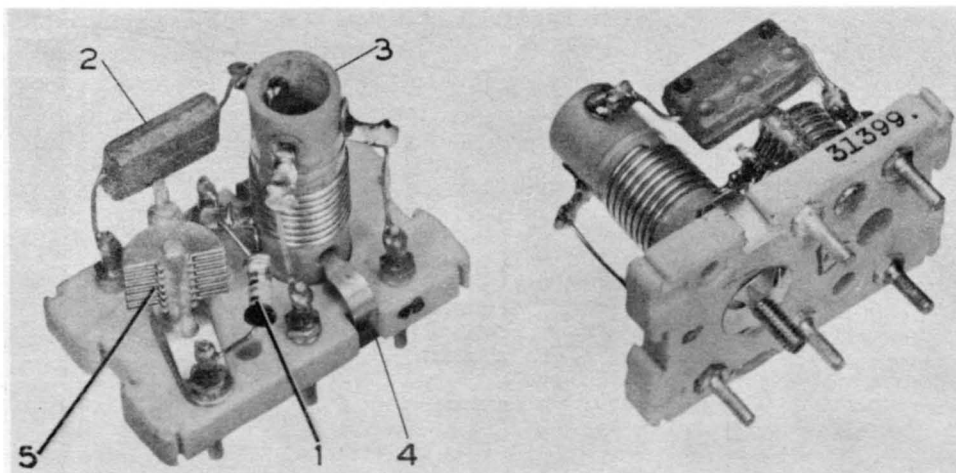


Figure 26. Tuner, RF 14.8 to 29.7 MC (Input)

			RADIO RECEIVER SP-600-JX, RACK MOUNTINGS TUNER, RF 14.8 TO 29.7 MC (INPUT)								
26	31399-1	E65	Tuner, RF: (See Figure 8-50 for next higher assy)							Ref	
-1	CC20CJ070F	C12	. Capacitor, fixed (JAN-C-20A)							1	
-2	CM30C102G	C14	. Capacitor, fixed (JAN-C-5)							1	
-3	31258-1	L5	. Coil, RF: antenna							1	
-4	31004-1	-	. Spring: flat type							2	
-5	31429-1	-	. Trimmer and Base Assembly							1	

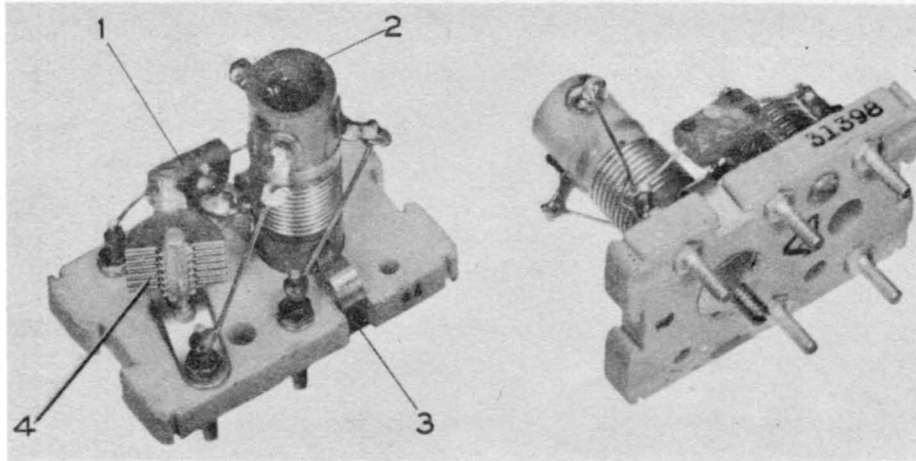


Figure 27. Tuner, RF 14.8 to 29.7 MC (Interstage)

FIG & INDEX NO.	PART NUMBER	REF SYMBOL	NAME AND DESCRIPTION							UNITS PER ASSY	APPLI-CATION
			1	2	3	4	5	6	7		
			RADIO RECEIVER SP-600-JX, RACK MOUNTINGS TUNER, RF 14.8 TO 29.7 MC (INTERSTAGE)								
27	31398-1	E72	Tuner, RF: (See Figure 8-51 for next higher assy)							Ref	k
27	31398-1	E79	Tuner, RF: (See Figure 8-52 for next higher assy)							Ref	l
-1	CM30C850G	C37	. Capacitor, fixed (JAN-C-5)							1	k
-1	CM30C850G	C57	. Capacitor, fixed (JAN-C-5)							1	l
-2	31259-1	L12	. Coil, RF: interstage							1	k
-2	31259-1	L19	. Coil, RF: interstage							1	l
-3	31004-1	-	. Spring: flat type							2	
-4	31428-1	-	. Trimmer and Base Assembly							1	

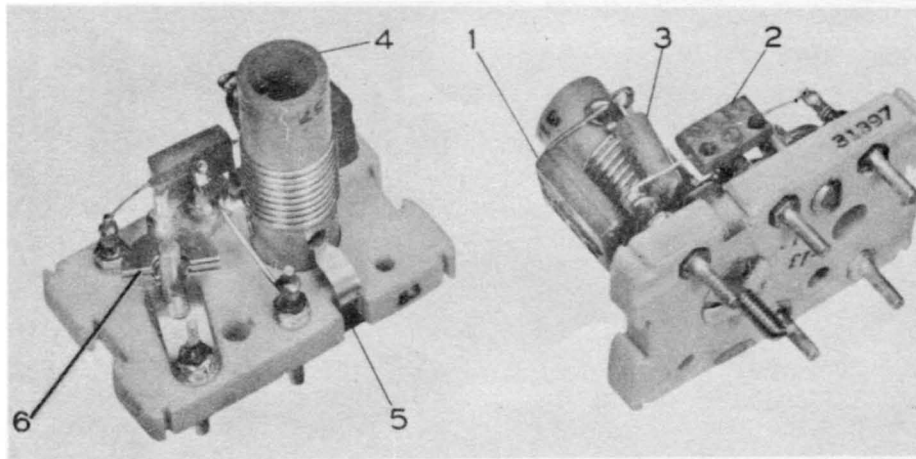


Figure 28. Tuner, RF 14.8 to 29.7 MC (HF OSC)

			RADIO RECEIVER SP-600-JX, RACK MOUNTINGS TUNER, RF 14.8 TO 29.7 MC (HF OSC)								
28	31397-1	E89	Tuner, RF: (See Figure 8-53 for next higher assy)							Ref	
-1	23071-63	C93	. Capacitor, fixed: mica dielectric; 379 mmf ± 1% (AEV type 1469)							1	
-2	CM30C920G	C91	. Capacitor, fixed (JAN-C-5)							1	
-3	CC21UJ510F	C92	. Capacitor, fixed (JAN-C-20A)							1	
-4	31257-1	L29	. Coil, RF: h-f osc							1	
-5	31004-1	-	. Spring: flat type							2	
-6	31430-1	-	. Trimmer and Base Assembly							1	

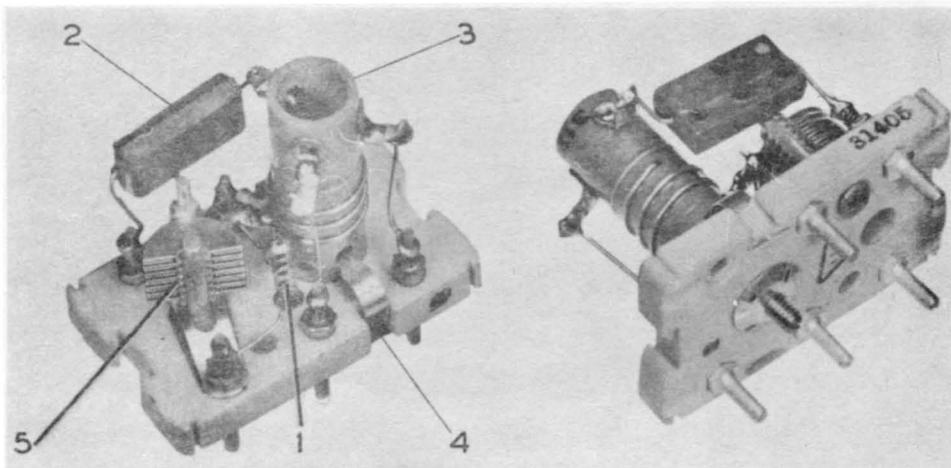


Figure 29. Tuner, RF 29.7 to 54.0 MC (Input)

FIG & INDEX NO.	PART NUMBER	REF SYMBOL	NAME AND DESCRIPTION							UNITS PER ASSY	APPLI-CATION
			1	2	3	4	5	6	7		
			RADIO RECEIVER SP-600-JX, RACK MOUNTINGS TUNER, RF 29.7 TO 54.0 MC (INPUT)								
29	31405-1	E66	Tuner, RF: (See Figure 8-54 for next higher assy)							Ref	
-1	CC20HJ150J	C15	. Capacitor, fixed (JAN-C-20A)							1	
-2	CM30C152G	C17	. Capacitor, fixed (JAN-C-5)							1	
-3	31261-1	L6	. Coil, RF: antenna							1	
-4	31004-1	-	. Spring: flat type							2	
-5	31429-1	-	. Trimmer and Base Assembly							1	

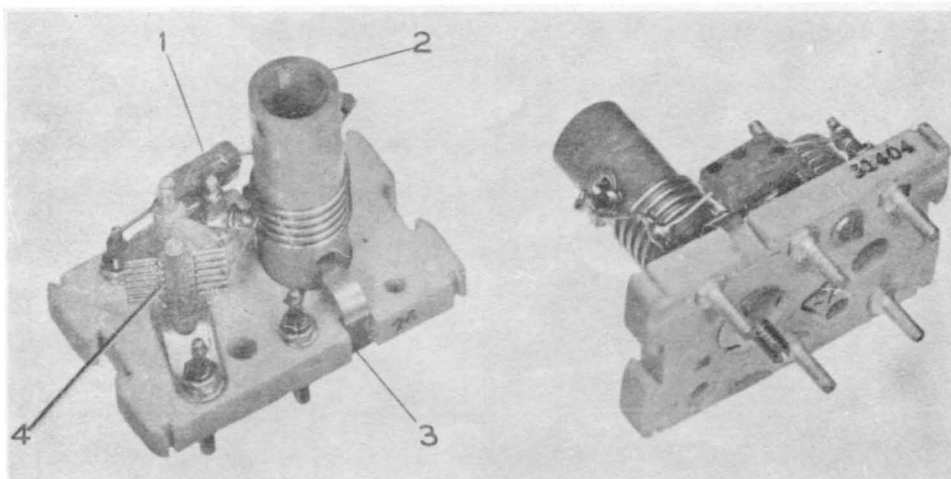


Figure 30. Tuner, RF 29.7 to 54.0 MC (Interstage)

			RADIO RECEIVER SP-600-JX, RACK MOUNTINGS TUNER, RF 29.7 TO 54.0 MC (INTERSTAGE)								
30	31404-1	E73	Tuner, RF: (See Figure 8-55 for next higher assy)							Ref	m
30	31404-1	E80	Tuner, RF: (See Figure 8-56 for next higher assy)							Ref	n
-1	CM20C510G	C39	. Capacitor, fixed (JAN-C-5)							1	m
-1	CM20C510G	C59	. Capacitor, fixed (JAN-C-5)							1	n
-2	31262-1	L13	. Coil, RF: interstage							1	m
-2	31262-1	L20	. Coil, RF: interstage							1	n
-3	31004-1	-	. Spring: flat type							2	
-4	31428-1	-	. Trimmer and Base Assembly							1	

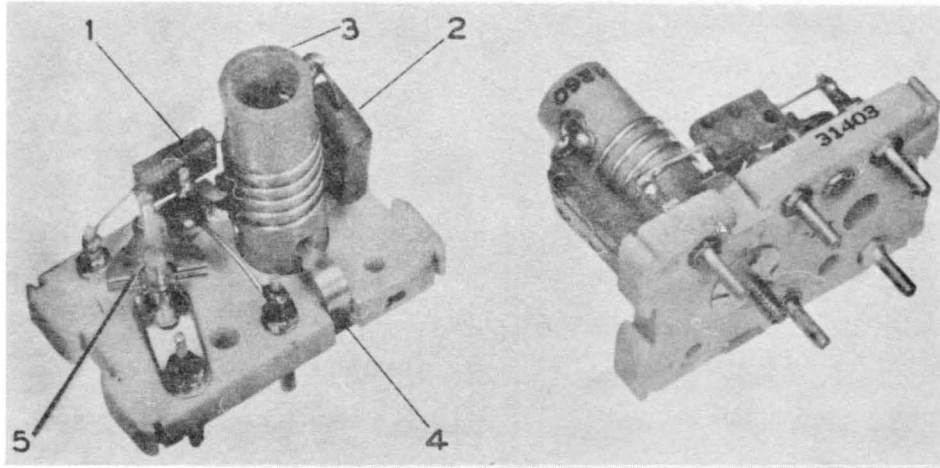


Figure 31. Tuner, RF 29.7 to 54.0 MC (HF OSC)

FIG & INDEX NO.	PART NUMBER	REF SYMBOL	NAME AND DESCRIPTION							UNITS PER ASSY	APPLI-CATION
			1	2	3	4	5	6	7		
			RADIO RECEIVER SP-600-JX, RACK MOUNTINGS TUNER, RF 29.7 TO 54.0 MC (HF OSC)								
31	31403-1	E90	Tuner, RF: (See Figure 8-57 for next higher assy)							Ref	
-1	CM30C420F	C95	. Capacitor, fixed (JAN-C-5)							1	
-2	CM30C611F	C96	. Capacitor, fixed (JAN-C-5)							1	
-3	31260-1	L30	. Coil, RF: h-f osc							1	
-4	31004-1	-	. Spring: flat type							2	
-5	31430-1	-	. Trimmer and Base Assembly							1	
			RADIO RECEIVER SP-600-JX, RACK MOUNTINGS CHASSIS ASSEMBLY								
32	31138-1	-	Chassis Assembly (See Figure 7-29 for next higher assy)							Ref	
-1	31240-1	-	. Bracket							1	
-2	31133-1	-	. Shield, coil							1	
-3	31019-1	-	. Shield, transf							3	
-4	T-2-5	E9	. Board terminal (FNK)							1	
-5	31132-1	-	. Shield, transf							1	
-6	31105-1	-	. Shield, transf							1	
-7	Com1	-	. Screw, mach: slot drive; binding hd; steel cad. pl; No. 6-32, 1/4 in. lg; incl ext tooth steel cad. pl washer 0.270 in. dia x 0.021 in. thick; (IFCO) (Att. Pt.)							24	
-8	31116-1	T2	. Transformer, IF: 3955 kc (See Figure 39 for assy breakdown)							1	
-9	31114-1	T3	. Transformer, IF: 455 kc (See Figure 41 for assy breakdown)							1	
-10	31102-1	T4	. Transformer, IF: 455 kc (See Figure 38 for assy breakdown)							1	
-11	31102-1	T5	. Transformer, IF: 455 kc (See Figure 38 for assy breakdown)							1	
-12	31106-1	T6	. BFO Oscillator (See Figure 40 for assy breakdown)							1	
-13	31131-1	-	. 3.5 MC Oscillator (See Figure 37 for assy breakdown)							1	
-14	2104-6	-	. Terminal, lug: cad. pl (SH)							6	
-15	AN936B6	-	. Washer, lock (Att. Pt.)							1	
-16	Com1	-	. Screw, mach: slot drive; binding hd; steel cad. pl; No. 6-32, 1/4 in. lg; incl ext tooth steel cad. pl washer 0.270 in. dia x 0.021 in. thick; (IFCO) (Att. Pt.)							12	
-17	926C-13	-	. Clamp: electron tube (BHE)							1	
-18	926B-16	-	. Clamp: electron tube (BHE)							1	
-19	Com1	-	. Screw, mach: slot drive; binding hd; steel cad. pl; No. 8-32, 5/16 in. lg; incl ext tooth steel cad. pl washer 0.317 in. dia x 0.021 in. thick; (IFCO) (Att. Pt.)							2	
-20	Com1	-	. Nut, hex: No. 8-32 x 11/32 in. across flats 1/8 in. thick; single chamfer (Att. Pt.)							2	
-21	AN936A8	-	. Washer, lock (Att. Pt.)							2	

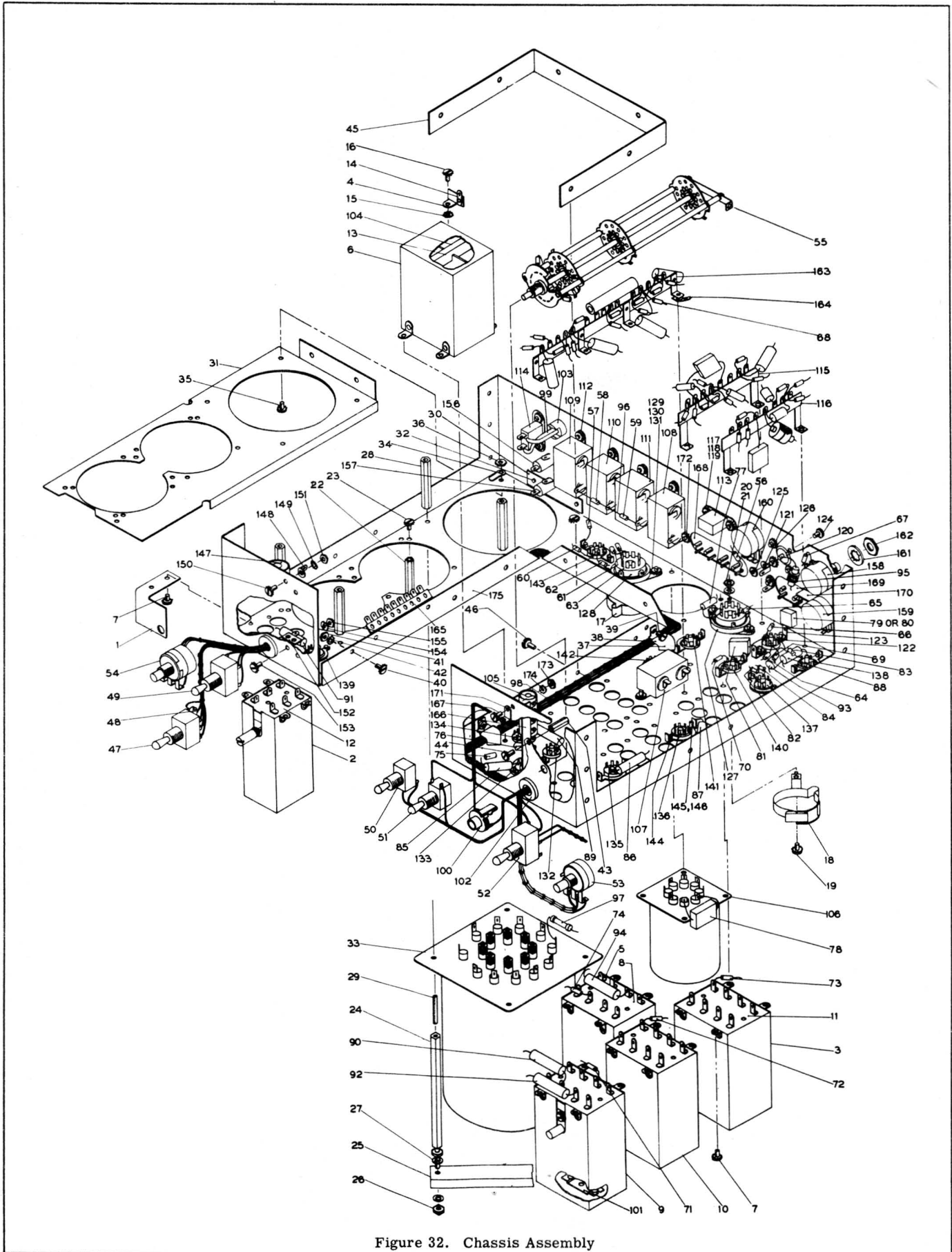


Figure 32. Chassis Assembly

FIG & INDEX NO.	PART NUMBER	REF SYMBOL	NAME AND DESCRIPTION							UNITS PER ASSY	APPLI- CATION
			1	2	3	4	5	6	7		
			RADIO RECEIVER SP-600-JX, RACK MOUNTINGS CHASSIS ASSEMBLY (cont)								
32-22	31422-1	-	.							1	
-23	Coml	-	.								
			.							1	
-24	31424-1	-	.							2	
-25	31425-1	-	.							1	
-26	Coml	-	.								
			.							4	
-27	AN936A10	-	.							4	
-28	31421-1	-	.							4	
-29	10010-35	-	.							1	
-30	31142-1	-	.							1	
-31	31420-1	-	.							1	
-32	Coml	-	.								
			.							2	
-33	31029-2	T8	.							1	
-34	2109-10-01	-	.							1	
-35	Coml	-	.								
			.							5	
-36	Coml	-	.								
			.							1	
-37	79	-	.							4	
-38	Coml	-	.								
			.							AR	
-39	Coml	-	.								
			.							2	
-40	Coml	-	.								
			.							2	
-41	10012-41	-	.							2	
-42	AN936B6	-	.							2	
-43	9226-11	-	.							1	
-44	Coml	-	.								
			.							2	
-45	31426-1	-	.							1	
-46	Coml	-	.								
			.							6	
-47	8363	S8	.							1	
-48	RC20BF335K	R97	.							1	
-49	8360	S7	.							1	
-50	8280	S6	.							1	
-51	3Z9863-42D	S9	.							1	
			.								
-52	81057N	S11	.							1	
			.							1	
-53	15342-11	R84	.								
-54	15342-21	R93 and S10	.								
			.							1	
-55	31216-1	-	.								
			.							1	
-56	RC20BF103J	R70	.							1	
-57	RC20BF103J	R90	.							1	
-58	RC20BF103J	R91	.							1	
-59	RC20BF103J	R92	.							1	
-60	RC20BF124J	R87	.							1	
-61	RC20BF124J	R88	.							1	
-62	RC20BF823J	R86	.							1	
-63	RC20BF823J	R89	.							1	
-64	RC20BF474K	R78	.							1	
-65	RC20BF474K	R98	.							1	
-66	RC20BF102K	R83	.							1	
-67	RC20BF102K	R102	.							1	

FIG & INDEX NO.	PART NUMBER	REF SYMBOL	NAME AND DESCRIPTION							UNITS PER ASSY	APPLI- CATION
			1	2	3	4	5	6	7		
			RADIO RECEIVER SP-600-JX, RACK MOUNTING CHASSIS ASSEMBLY (cont)								
32-68	RC20BF104K	R75	.							1	
-69	RC20BF681K	R79	.							1	
-70	RC20BF183K	R66	.							1	
-71	RC20BF100K	R42	.							1	
-72	RC20BF100K	R50	.							1	
-73	RC20BF100K	R55	.							1	
-74	RC20BF222K	R37	.							1	
-75	RC20BF152K	R33	.							1	
-76	RC20BF223J	R36	.							1	
-77	RC30BF361J	R99	.							1	
-78	23070-40	C150	.							1	
			.							1	
-79	Com1	C147	.							1	
-80	CM35A512J	C147	.							1	a
-81	CM35A512J	C149	.							1	b
-82	CC20CJ070F	C138	.							1	
-83	CC20CJ070F	C145	.							1	
-84	CC20HJ150J	C139	.							1	
-85	Com1	C105	.							1	
-86	Com1	C116	.							1	
-87	Com1	C122	.							1	
-88	Com1	C135	.							1	
-89	Com1	C106	.							1	
-90	Com1	C109	.							1	
-91	Com1	C136	.							1	
-92	Com1	C108	.							1	
-93	Com1	C146	.							1	
-94	Com1	C156	.							1	
-95	31488-1	L53	.							1	b
-96	Com1	-	.							AR	
-97	318.375	F2	.							1	
-98	31235-1	-	.							1	
-99	6143	P1	.							1	
-100	SC-1A	J3	.							1	
-101	31023-1	-	.							5	
-102	2029	-	.							2	
-103	SR-4	-	.							1	
-104	31472-1	-	.							1	
-105	CP28AIEF503M	C144	.							1	
-106	31086-2	T7	.							1	
-107	CE63D100H	C128	.							1	
-108	CE63D100H	C151	.							1	
-109	CE63D100H	C158	.							1	
-110	CE63D100H	C159	.							1	
-111	CE63D100H	C160	.							1	
-112	2104-6	-	.							1	
-113	402AC	J4	.							1	
-114	402AC	J5	.							1	
-115	31151-1	-	.							1	
-116	31217-1	-	.							1	
-117	Com1	-	.							22	
-118	10012-41	-	.							18	

See page 1 for application code for this page.

FIG & INDEX NO.	PART NUMBER	REF SYMBOL	NAME AND DESCRIPTION							UNITS PER ASSY	APPLI- CATION
			1	2	3	4	5	6	7		
			RADIO RECEIVER SP-600-JX, RACK MOUNTINGS CHASSIS ASSEMBLY (cont)								
-119	AN936B6	-	.							18	
-120	83-IR	J2	.							1	
-121	2104-6	-	.							1	
-122	53F12875	X16	.							1	
-123	124	-	.							2	
-124	35014-2	-	.								
-125	Coml	-	.							6	
-126	AN936B4	-	.							6	
-127	9859	X17	.							5	
-128	9859	X19	.							1	
-129	Coml	-	.							1	
-130	AN936B6	-	.							4	
-131	10012-41	-	.							4	
-132	TSE7T101	X6	.							1	
-133	TSE7T101	X7	.							1	
-134	TSE7T101	X8	.							1	
-135	TSE7T101	X9	.							1	
-136	TSE7T101	X10	.							1	
-137	TSE7T101	X11	.							1	
-138	TSE7T101	X12	.							1	
-139	TSE7T101	X13	.							1	
-140	TSE7T101	X14	.							1	
-141	TSE7T101	X15	.							1	
-142	TSE7T101	X18	.							1	
-143	TSE7T101	X20	.							1	
-144	16174-1	-	.							10	
-145	Coml	-	.								
-146	AN936B4	-	.							20	
-147	CP28AIEF254M	C137	.							20	
-148	2104-6	-	.							1	
-149	AN936B6	-	.							1	
-150	Coml	-	.								
-151	10012-41	-	.							2	
-152	T-2-5	E10	.							2	
-153	Coml	-	.							1	
-154	AN936B6	-	.							3	
-155	10012-41	-	.							1	
-156	15923-1	-	.							1	
-157	15923-4	-	.							1	
-158	RA20AISA102AK	R69	.							1	
-159	RA20AISA102AK	R74	.							1	
-160	15342-4	R101	.							1	
-161	AN936A616	-	.							1	
-162	10012-90	-	.							3	
-163	31140-1	-	.							3	
-164	2104-6	-	.							1	
-165	T-8-6	E13	.							4	
-166	T-8-6	E14	.							1	
-167	Coml	-	.							1	
-168	31141-1	E2	.							8	
-169	4904-5	E1	.							1	

FIG & INDEX NO.	PART NUMBER	REF SYMBOL	NAME AND DESCRIPTION							UNITS PER ASSY	APPLI- CATION
			1	2	3	4	5	6	7		
			RADIO RECEIVER SP-600-JX, RACK MOUNTINGS CHASSIS ASSEMBLY (cont)								
32-170	2423	E5	.	Board, terminal (ICA)						1	
-171	2104-6	-	.	Terminal, lug; cad. pl (SH)						1	
-172	Coml	-	.	Screw, mach: slot drive; binding hd; steel cad. pl; No. 6-32, 5/16 in. lg; incl ext tooth steel cad. pl washer 0.271 in. dia x 0.021 in. thick; (IFCO) (Att. Pt.)						4	
-173	10012-41	-	.	Nut, hex (PHE) (Att. Pt.)						8	
-174	AN936B6	-	.	Washer, lock (Att. Pt.)						8	
-175	31135-1	-	.	Chassis						1	

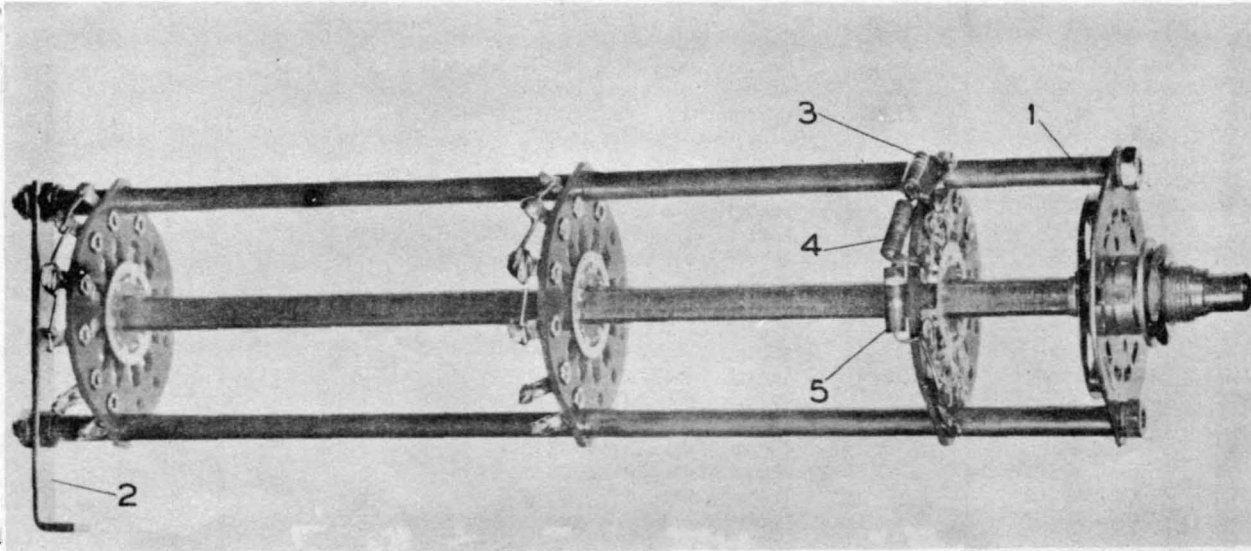


Figure 33. Selectivity Switch Assembly

			RADIO RECEIVER SP-600-JX, RACK MOUNTINGS SELECTIVITY SWITCH ASSEMBLY								
33	31216-1	-	.	Switch Assembly (See Figure 32-55 for next higher assy)						Ref	
-1	15856-1	S5	.	Switch, rotary (incl washer and nut) (OAK) (type H)						1	
-2	31176-1	-	.	Bracket						1	
-3	RC20BF183K	R47	.	Resistor, fixed (JAN-R-11)						1	
-4	RC20BF112J	R46	.	Resistor, fixed (JAN-R-11)						1	
-5	RC20BF241J	R45	.	Resistor, fixed (JAN-R-11)						1	
			RADIO RECEIVER SP-600-JX, RACK MOUNTINGS RESISTOR-CAPACITOR SUBASSEMBLY								
34	31151-1	-	.	Resistor-Capacitor Subassembly (See Figure 32-115 for next higher assy)						Ref	
-1	31163-1	E15	.	Board terminal (LTJI)						1	
-2	RC20BF104K	R62	.	Resistor, fixed (JAN-R-11)						1	
-3	RC20BF104K	R67	.	Resistor, fixed (JAN-R-11)						1	
-4	RC20BF104K	R68	.	Resistor, fixed (JAN-R-11)						1	
-5	RC20BF104K	R81	.	Resistor, fixed (JAN-R-11)						1	
-6	RC20BF473K	R64	.	Resistor, fixed (JAN-R-11)						1	
-7	RC20BF473K	R65	.	Resistor, fixed (JAN-R-11)						1	
-8	RC20BF273K	R63	.	Resistor, fixed (JAN-R-11)						1	
-9	RC20BF103J	R82	.	Resistor, fixed (JAN-R-11)						1	
-10	CM35A512J	C143	.	Capacitor, fixed (JAN-C-5)						1	
-11	CC26SL101K	C141	.	Capacitor, fixed (JAN-C-5)						1	
-12	CC26SL101K	C142	.	Capacitor, fixed (JAN-C-5)						1	
-13	Coml	C148	.	Capacitor, fixed: 22,000 mmf (AEV type P488 or P487)						1	

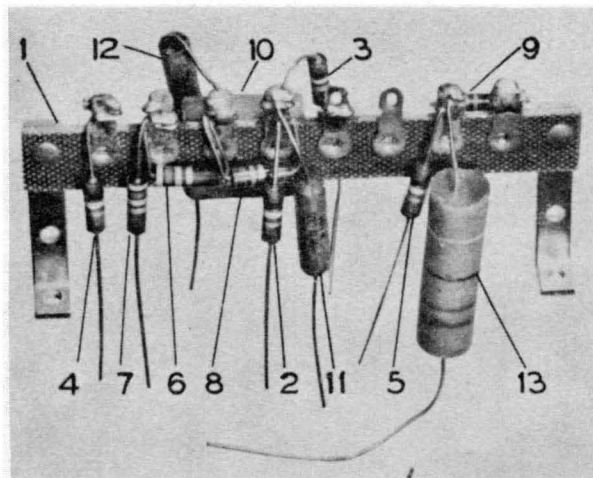


Figure 34. Resistor-Capacitor Subassembly

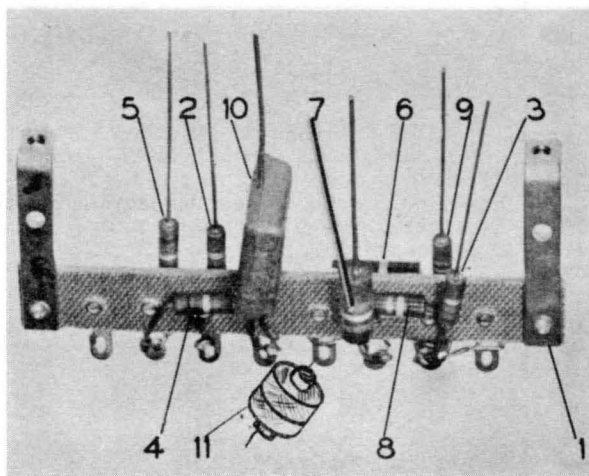


Figure 35. Resistor-Capacitor Subassembly

FIG & INDEX NO.	PART NUMBER	REF SYMBOL	NAME AND DESCRIPTION							UNITS PER ASSY	APPLI- CATION
			1	2	3	4	5	6	7		
35	31217-1	-	RADIO RECEIVER SP-600-JX, RACK MOUNTINGS RESISTOR-CAPACITOR SUBASSEMBLY								
			Resistor-Capacitor Subassembly (See Figure 32-116 for next higher assy)							Ref	
-1	31163-1	E16	. Board, terminal							1	
-2	RC20BF222K	R58	. Resistor, fixed (JAN-R-11)							1	
-3	RC20BF222K	R80	. Resistor, fixed (JAN-R-11)							1	
-4	RC20BF105K	R60	. Resistor, fixed (JAN-R-11)							1	
-5	RC20BF105K	R61	. Resistor, fixed (JAN-R-11)							1	
-6	RC30BF222K	R59	. Resistor, fixed (JAN-R-11)							1	
-7	RC30BF563J	R73	. Resistor, fixed (JAN-R-11)							1	
-8	RC20BF203J	R72	. Resistor, fixed (JAN-R-11)							1	
-9	RC20BF104K	R100	. Resistor, fixed (JAN-R-11)							1	
-10	CM35A102K	C140	. Capacitor, fixed (JAN-C-5)							1	
-11	15616-1	L47	. Coil, RF: plate choke							1	

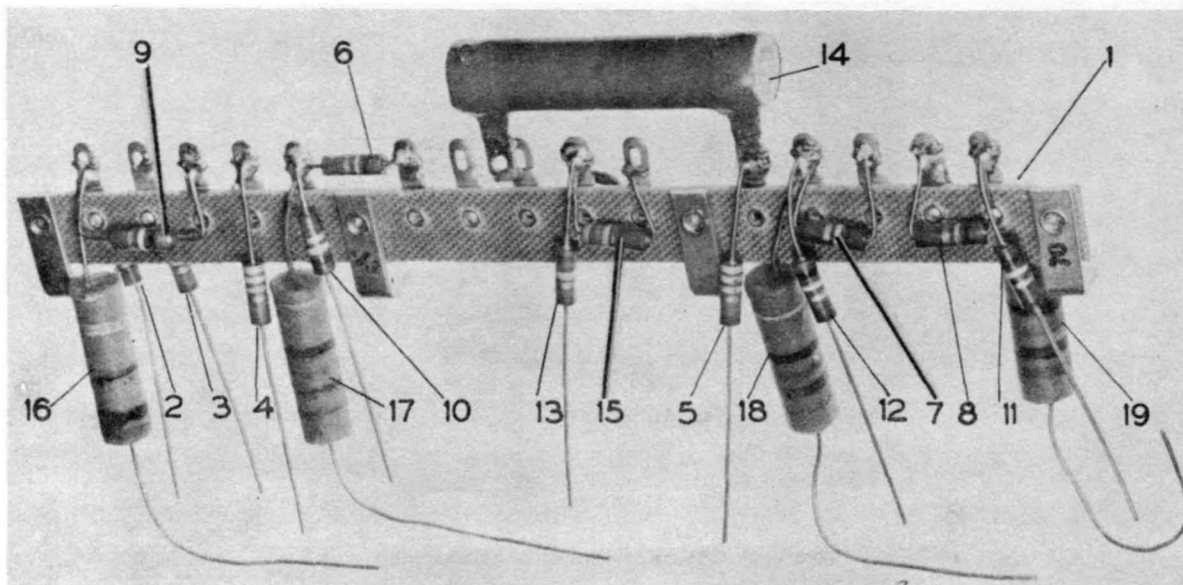


Figure 36. Resistor-Capacitor Subassembly

FIG & INDEX NO.	PART NUMBER	REF SYMBOL	NAME AND DESCRIPTION							UNITS PER ASSY	APPLI-CATION
			1	2	3	4	5	6	7		
36	31140-1	-	RADIO RECEIVER SP-600-JX, RACK MOUNTINGS RESISTOR-CAPACITOR SUBASSEMBLY								
			Resistor-Capacitor Subassembly (See Figure 32-163 for next higher assy)							Ref	
-1	31162-1	E17	. Board, terminal (LTJI)							1	
-2	RC20BF511J	R32	. Resistor, fixed (JAN-R-11)							1	
-3	RC20BF333J	R39	. Resistor, fixed (JAN-R-11)							1	
-4	RC20BF333J	R48	. Resistor, fixed (JAN-R-11)							1	
-5	RC20BF333J	R53	. Resistor, fixed (JAN-R-11)							1	
-6	RC20BF103J	R44	. Resistor, fixed (JAN-R-11)							1	
-7	RC20BF103J	R52	. Resistor, fixed (JAN-R-11)							1	
-8	RC20BF103J	R57	. Resistor, fixed (JAN-R-11)							1	
-9	RC20BF104K	R34	. Resistor, fixed (JAN-R-11)							1	
-10	RC20BF104K	R43	. Resistor, fixed (JAN-R-11)							1	
-11	RC20BF104K	R56	. Resistor, fixed (JAN-R-11)							1	
-12	RC20BF104K	R51	. Resistor, fixed (JAN-R-11)							1	
-13	RC20BF223J	R96	. Resistor, fixed (JAN-R-11)							1	
-14	RW32G252	R85	. Resistor, fixed (JAN-R-26A)							1	
-15	RC20BF823J	R95	. Resistor, fixed (JAN-R-11)							1	
-16	Coml	C100	. Capacitor, fixed: 10,000 mmf (AEV type P488 or P487)							1	
-17	Coml	C115	. Capacitor, fixed: 10,000 mmf (AEV type P488 or P487)							1	
-18	Coml	C121	. Capacitor, fixed: 10,000 mmf (AEV type P488 or P487)							1	
-19	Coml	C127	. Capacitor, fixed: 10,000 mmf (AEV type P488 or P487)							1	
37	31131-1	-	RADIO RECEIVER SP-600-JX, RACK MOUNTINGS 3.5 MC OSCILLATOR								
			3.5 MC Oscillator (See Figure 32-13 for next higher assy)							Ref	
-1	31124-1	-	. Board, terminal							1	
-2	RC20BF104K	R38	. Resistor, fixed (JAN-R-11)							1	
-3	RC30BF203J	R40	. Resistor, fixed (JAN-R-11)							1	
-4	Coml	C103	. Capacitor, fixed: 22,000 mmf (AEV type P488 or P487)							1	
-5	Coml	C104	. Capacitor, fixed: 22,000 mmf (AEV type P488 or P487)							1	
-6	15612-1	L35	. Coil, RF: plate choke							1	
-7	31130-1	Y7	. Crystal Unit, quartz: one crystal plate included; 3.5 MC nominal frequency; marked 3500 KC (BLY, type VX2)							1	

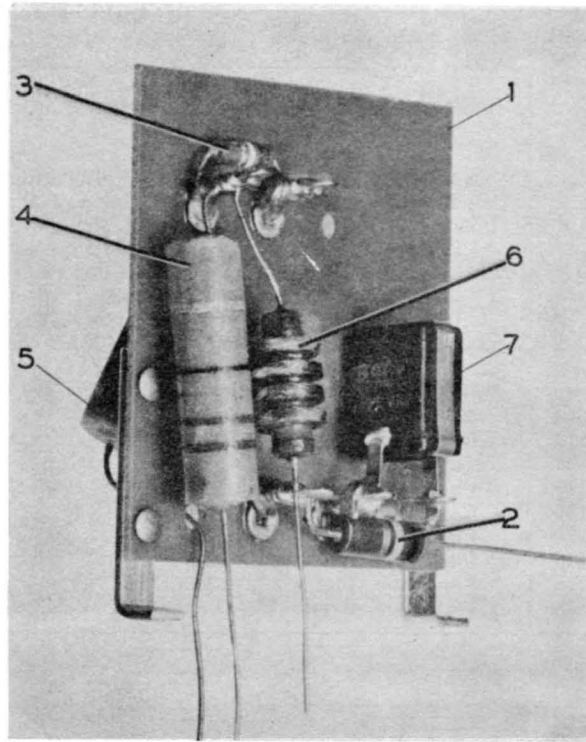


Figure 37. 3.5 MC Oscillator

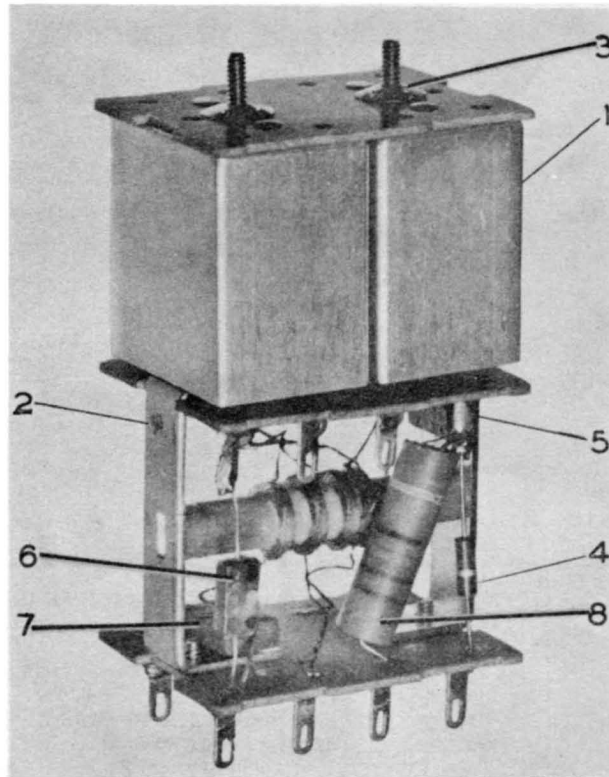


Figure 38. Transformer, IF

FIG & INDEX NO.	PART NUMBER	REF SYMBOL	NAME AND DESCRIPTION							UNITS PER ASSY	APPLI- CATION
			1	2	3	4	5	6	7		
			RADIO RECEIVER SP-600-JX, RACK MOUNTINGS TRANSFORMER, IF								
38	31102-1	T4								Ref	q
38	31102-1	T5								Ref	r
-1	31021-1	-								1	
-2	31101-1	-								1	
-3	11-593-A	-								1	
-4	RC20BF222K	R49								2	
-4	RC20BF222K	R54								1	q
-5	RC20C221G	C117								1	r
-5	RC20C221G	C124								1	q
-6	CM20C301G	C119								1	r
-6	CM20C301G	C125								1	q
-7	CM30C132G	C120								1	r
-7	CM30C132G	C126								1	q
-8	Com1	C118								1	r
-8	Com1	C123								1	q

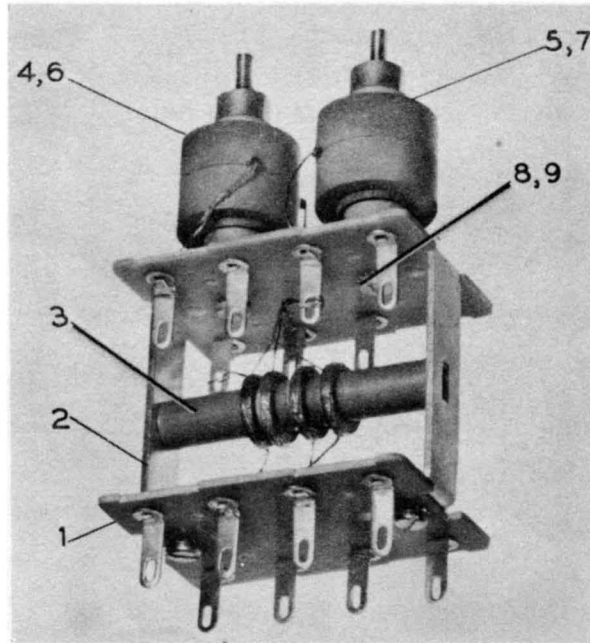


Figure 39. I-F Subassembly

			RADIO RECEIVER SP-600-JX, RACK MOUNTINGS I-F SUBASSEMBLY								
39	31101-1	-								Ref	q, r
-1	31092-1	-								2	
-2	31017-2	-								2	
-3	31026-1	L40								1	q
-3	31026-1	L43								1	r
-4	31067-1	L38								1	q
-5	31067-1	L39								1	q
-6	31067-1	L41								1	r
-7	31067-1	L42								1	r
-8	Com1	-								1	
-9	AN936B6	-								2	
										2	

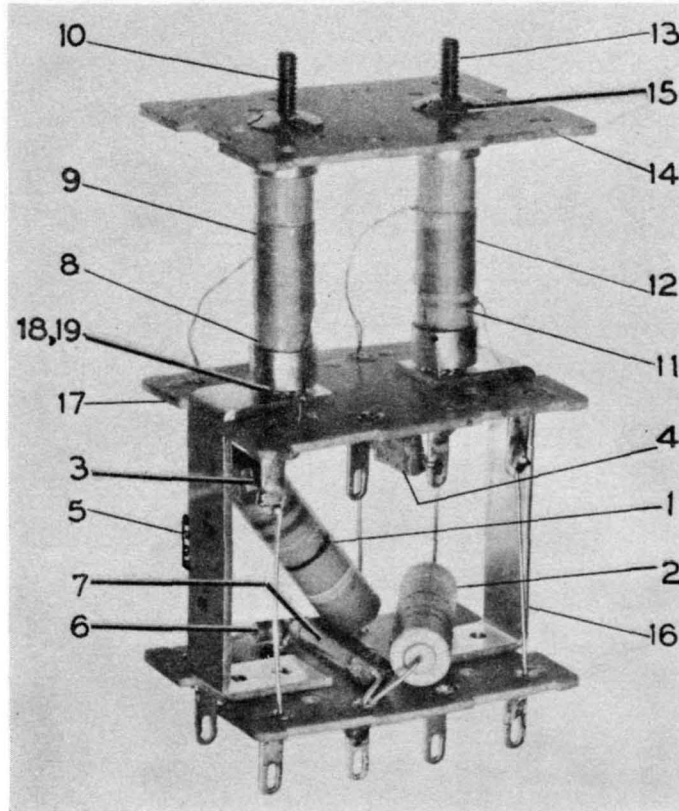


Figure 40. Transformer, IF (3.955 MC)

FIG & INDEX NO.	PART NUMBER	REF SYMBOL	NAME AND DESCRIPTION							UNITS PER ASSY	APPLI-CATION
			1	2	3	4	5	6	7		
			RADIO RECEIVER SP-600-JX, RACK MOUNTINGS TRANSFORMER, IF (3.955 MC)								
40	31116-1	T2	Transformer, IF (See Figure 32-8 for next higher assy)							Ref	
-1	Com1	C98	. Capacitor, fixed: 22,000 mmf (AEV type P488 or P487)							1	
-2	Com1	C157	. Capacitor, fixed: 22,000 mmf (AEV type P488 or P487)							1	
-3	CM20C510G	C99	. Capacitor, fixed (JAN-C-5)							1	
-4	CM30C650G	C97	. Capacitor, fixed (JAN-C-5)							1	
-5	RC20BF104K	R35	. Resistor, fixed (JAN-R-11)							1	
-6	RC20BF112J	R94	. Resistor, fixed (JAN-R-11)							1	
-7	15613-1	L50	. Coil, RF: filament choke							1	
-8	31209-1	-	. I-F Coil and Ferrule Assembly							1	
-9	31115-1	L34	. . . Coil, RF: output of transf, i-f							1	
-10	31090-1	-	. . . Core, adjustable tuning: incl powered iron core and screw; end of core coated with green lacquer; (CHL HF7 Core type 3)							1	
-11	31110-1	-	. I-F Coil and Ferrule Assembly							1	
-12	31111-1	L33	. . . Coil, RF: input and tertiary wdg of transf, i-f							1	
-13	31090-1	-	. . . Core, adjustable tuning: incl powdered iron core and screw; end of core coated with green lacquer; (CHL HF7 Core type 3)							1	
-14	31022-1	-	. Board, carrying							1	
-15	11-593-A	-	. Spring: flat type; cad. pl (SKL) (Att. Pt.)							2	
-16	31017-1	-	. Bracket: part of transf, i-f; "U" shape							2	
-17	31092-1	-	. Board, terminal							2	
-18	AN936B6	-	. Washer, lock (Att. Pt.)							2	
-19	Com1	-	. Screw, mach: slot drive; binding hd; steel cad. pl; No. 6-32, 5/16 in. lg; incl ext tooth steel cad. pl washer, 0.270 in. dia x 0.021 in. thick; (IFCO) (Att. Pt.)							2	

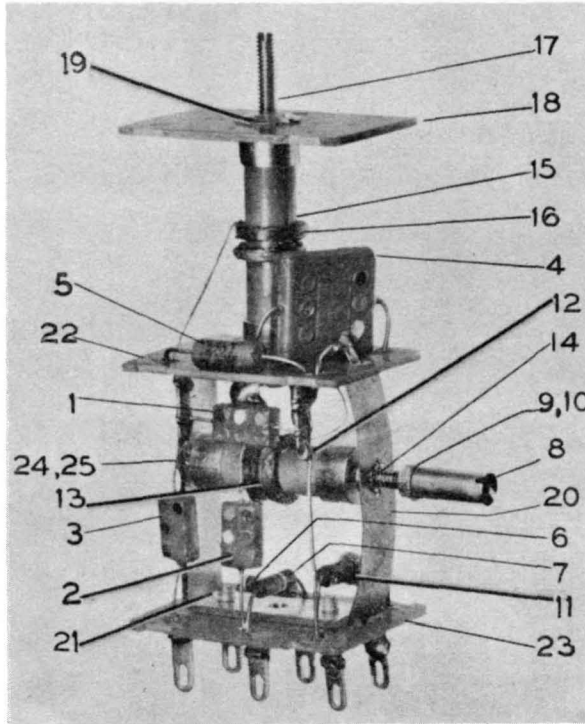


Figure 41. BFO Oscillator

FIG & INDEX NO.	PART NUMBER	REF SYMBOL	NAME AND DESCRIPTION							UNITS PER ASSY	APPLI- CATION
			1	2	3	4	5	6	7		
			RADIO RECEIVER SP-600-JX, RACK MOUNTINGS BFO OSCILLATOR								
41	31106-1	T6	BFO Oscillator (See Figure 32-12 for next higher assy)							Ref	
-1	CM20C431G	C131	. Capacitor, fixed (JAN-C-5)							1	
-2	CM20C431G	C133	. Capacitor, fixed (JAN-C-5)							1	
-3	CM20C510G	C134	. Capacitor, fixed (JAN-C-5)							1	
-4	CM30C242J	C132	. Capacitor, fixed (JAN-C-5)							1	
-5	CC21UJ270J	C130	. Capacitor, fixed (JAN-C-20A)							1	
-6	RC20BF473K	R77	. Resistor, fixed (JAN-R-11)							1	
-7	RC20BF104K	R76	. Resistor, fixed (JAN-R-11)							1	
-8	31241-1	-	. Shaft							1	
-9	10012-41	-	. Nut, hex (PHE) (Att. Pt.)							1	
-10	AN936A6	-	. Washer, lock (Att. Pt.)							1	
-11	15615-1	L46	. Coil, RF: bfo choke							1	
-12	31070-1	-	. BFO Coil and Ferrule Assembly							1	
-13	31072-1	L45	. . Coil, RF: beat freq coil bfo							1	
-14	31018-1	-	. . Core, adjustable tuning: incl powdered iron core and screw; end of core coated with white lacquer; (CHL HF7 core type 3)							1	
-15	31071-1	-	. BFO Coil and Ferrule Assembly							1	
-16	31073-1	L44	. . Coil, RF: fixed tuned bfo coil							1	
-17	31018-1	-	. . Core, adjustable tuning; incl powdered iron core and screw; end of core coated with white lacquer; (CHL HF7 core type 3)							1	
-18	31027-1	-	. Board, carrying							1	
-19	11-593-A	-	. Spring: flat type; cad. pl (SKL) (Att. Pt.)							1	
-20	31076-1	-	. Spring: flat type (Att. Pt.)							1	
-21	31028-1	-	. Bracket: "U" shape							1	
-22	31091-1	-	. Board, terminal							1	
-23	31091-2	-	. Board, terminal							1	
-24	AN936B6	-	. Washer, lock (Att. Pt.)							2	
-25	Com1	-	. Screw, mach: slot drive; binding hd; steel cad. pl; No. 6-32, 5/16 in. lg; incl ext tooth steel cad. pl washer, 0.270 in. dia x 0.021 in. thick; (IFCO) (Att. Pt.)							2	

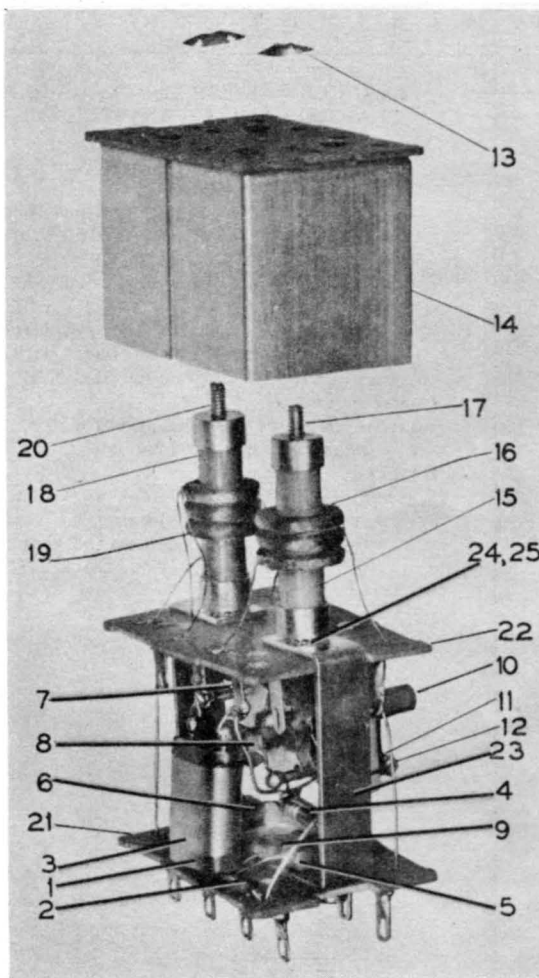


Figure 42. Transformer, IF (Crystal Filter)

FIG & INDEX NO.	PART NUMBER	REF SYMBOL	NAME AND DESCRIPTION							UNITS PER ASSY	APPLI-CATION
			1	2	3	4	5	6	7		
			RADIO RECEIVER SP-600-JX, RACK MOUNTINGS TRANSFORMER, IF (CRYSTAL FILTER)								
42	31114-1	T3								Ref	
-1	31471-1	Y8									
-2	Coml	-								1	
-3	Coml	-								AR	
-4	RC20BF222K	R41								AR	
-5	CM20C271G	C114								1	
-6	CM20C221G	C107								1	
-7	CM20C101G	C110								1	
-8	CM20C101G	C112								1	
-9	CM20C101G	C113								1	
-10	11776-1	C111								1	
-11	2104-4	-								1	
-12	Coml	-									
-13	11-593-A	-								2	
-14	31021-1	-								2	
										1	

FIG & INDEX NO.	PART NUMBER	REF SYMBOL	NAME AND DESCRIPTION							UNITS PER ASSY	APPLI- CATION
			1	2	3	4	5	6	7		
			RADIO RECEIVER SP-300-JX, RACK MOUNTINGS TRANSFORMER, IF (CRYSTAL FILTER) (cont)								
42-15	31068-1	-	1	
-16	31057-1	L37	1	
-17	31018-1	-		
-18	31242-1	-	1	
-19	31093-1	L36	1	
-20	31018-1	-		
-21	31092-1	-	1	
-22	31094-1	-	1	
-23	31017-1	-	2	
-24	AN936B6	-	2	
-25	Coml	-	2	

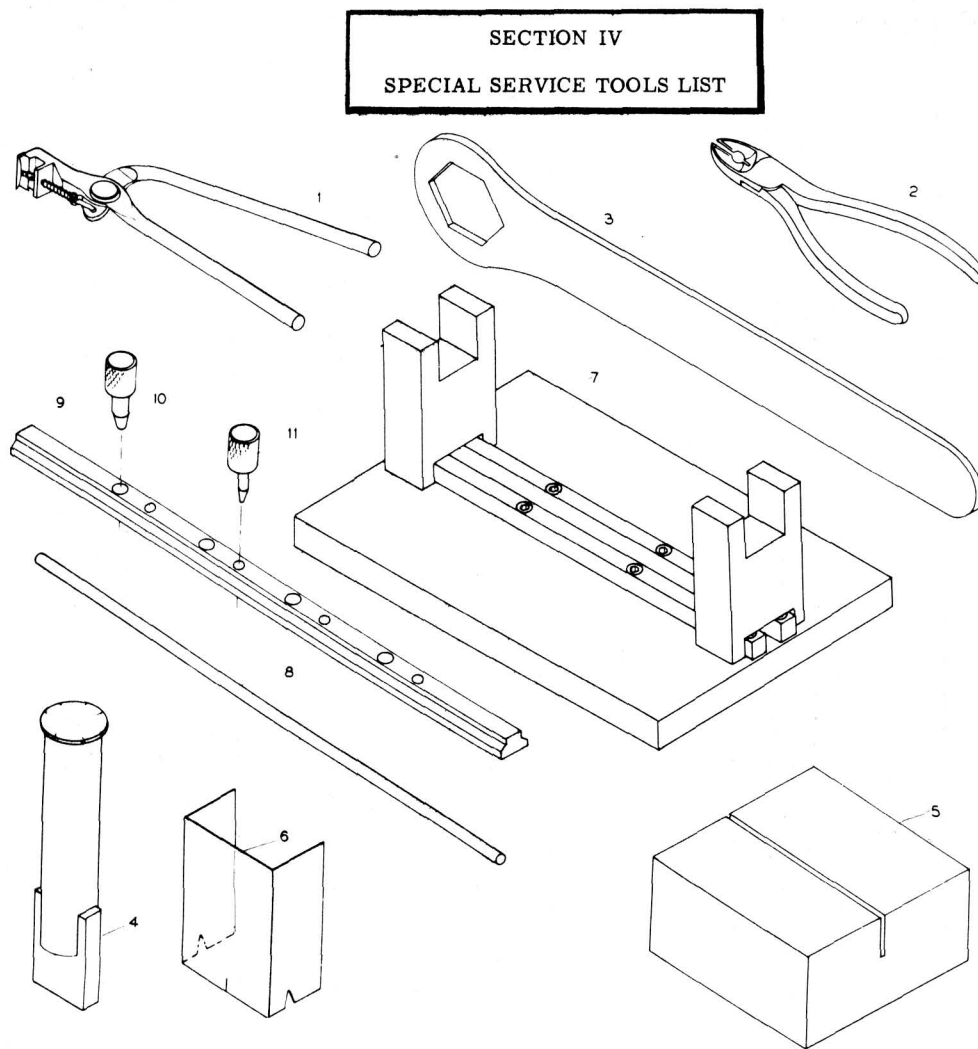
SECTION III REFERENCE SYMBOL LIST

Radio Receiver, Model SP-600-JX Rack Mountings

Reference Symbol	Figure & Index No.	Reference Symbol	Figure & Index No.	Reference Symbol	Figure & Index No.
C1	8-29	C83	22-2	C149	32-81
C3	14-1	C85	22-1	C150	32-78
C5	17-1	C87	25-2	C151	32-108
C6	20-2	C88	25-3	C152	7-20
C8	20-1	C89	25-1	C153	12-26
C9	23-2	C91	28-2	C154	12-27
C11	23-1	C92	28-3	C155	12-28
C12	26-1	C93	28-1	C156	32-94
C14	26-2	C95	31-1	C157	40-2
C15	29-1	C96	31-2	C158	32-109
C17	29-2	C97	40-4	C159	32-110
C18	12-29	C98	40-1	C160	32-111
C19	12-9	C99	40-3	C161	5-6
C20	12-10	C100	36-16	E1	32-171
C21	12-11	C102	8-34	E2	32-170
C22	12-12	C103	37-4	E5	32-172
C23	12-13	C104	37-5	E7	4-61
C24	12-14	C105	32-85	E8	4-42
C25	12-30	C106	32-89	E9	32-152
C27	15-1	C107	42-6	E10	32-153
C29	18-1	C108	32-92	E11	4-60
C30	21-7	C109	32-90	E12	4-43
C32	21-5	C110	42-7	E13	32-167
C33	24-7	C111	42-10	E14	32-168
C35	24-5	C112	42-8	E15	34-1
C37	27-1	C113	42-9	E16	35-2
C39	30-1	C114	42-5	E17	36-1
C40	12-15	C115	36-17	E18	6-11
C41	12-16	C116	32-86	E61	8-36
C42	12-17	C117	38-5	E62	8-40
C43	12-18	C118	38-8	E63	8-44
C44	12-19	C119	38-6	E64	8-48
C45	12-31	C120	38-7	E65	8-52
C47	15-2	C121	36-18	E66	8-56
C49	18-2	C122	32-87	E68	8-37
C50	21-8	C123	38-8	E69	8-41
C52	21-6	C124	38-5	E70	8-45
C53	24-8	C125	38-6	E71	8-49
C55	24-6	C126	38-7	E72	8-53
C57	27-2	C127	36-19	E73	8-57
C59	30-2	C128	32-107	E75	8-38
C60	4-3	C129	7-19	E76	8-42
C61	4-15	C130	41-5	E77	8-46
C62	4-13	C131	41-1	E78	8-50
C63	4-14	C132	41-4	E79	8-54
C64	4-16	C133	41-2	E80	8-58
C65	4-27	C134	41-3	E85	8-39
C66	12-20	C135	32-88	E86	8-43
C67	13-5	C136	32-91	E87	8-47
C68	12-21	C137	32-147	E88	8-51
C69	13-6	C138	32-82	E89	8-55
C70	13-3	C139	32-84	E90	8-59
C71	12-22	C140	35-10	F1	3-29
C72	12-23	C141	34-11	F2	32-97
C73	12-24	C142	34-12	I1	3-20
C74	12-25	C143	34-10	I2	3-21
C75	12-32	C144	32-105	I3	3-22
C77	16-2	C145	32-83	I4	3-23
C78	16-1	C146	32-93	J1	12-56
C79	12-6	C147	32-79	J2	32-120
C80	12-7	C147	32-80	J3	32-55
C82	19-1	C148	34-13	J4	32-113

Reference Symbol	Figure & Index No.	Reference Symbol	Figure & Index No.	Reference Symbol	Figure & Index No.
J5	32-114	R16	12-35	R89	32-63
L1	14-2	R17	15-4	R90	32-57
L2	17-2	R18	18-6	R91	32-58
L3	20-3	R19	21-2	R92	32-59
L4	23-3	R20	24-4	R93	32-54
L5	26-3	R21	12-5	R94	40-6
L6	29-3	R22	12-40	R95	36-15
L7	12-51	R23	4-17	R96	36-13
L8	15-7	R24	4-11	R97	32-48
L9	18-7	R25	4-12	R98	32-65
L10	21-9	R26	12-49	R99	32-77
L11	24-9	R27	12-43	R100	35-9
L12	27-3	R28	12-44	R101	32-161
L13	30-3	R29	12-36	R102	32-67
L14	12-52	R30	12-37	R103	15-5
L15	15-8	R31	13-2	R104	15-6
L16	18-8	R32	36-2	R105	18-3
L17	21-10	R33	32-75	R106	18-4
L18	24-10	R34	36-9	R107	21-3
L19	27-4	R35	40-5	R108	21-4
L20	30-4	R36	32-76	R109	24-1
L21	4-9	R37	32-74	R110	24-2
L22	4-8	R38	37-2		
L23	4-7	R39	36-3	S2	4-24
L24	12-53	R40	37-3	S3	3-61
L25	16-3	R41	42-4	S4	10-11
L26	19-2	R42	32-71	S5	33-1
L27	22-3	R43	36-10	S6	32-50
L28	25-4	R44	36-6	S7	32-49
L29	28-4	R45	23-5	S8	32-47
L30	31-3	R46	33-4	S9	32-51
L31	13-13	R47	33-3	S10	32-54
L32	13-12	R48	36-4	S11	32-52
L33	40-12	R49	38-4	T1	8-21
L34	40-9	R50	32-72	T2	32-8
L35	37-8	R51	36-12	T3	32-9
L36	42-19	R52	36-7	T4	32-10
L37	42-16	R53	36-5	T5	32-11
L38	39-4	R54	38-5	T6	32-12
L39	39-5	R55	32-73	T7	32-106
L40	39-3	R56	36-11	T8	32-33
L41	39-6	R57	36-8	V1	3-3
L42	39-7	R58	35-2	V2	3-4
L43	39-3	R59	35-6	V3	4-1
L44	41-16	R60	35-4	V4	3-12
L45	41-13	R61	35-5	V5	3-10
L46	41-11	R62	34-2	V6	3-11
L47	35-11	R63	34-8	V7	3-5
L48	12-50	R64	34-6	V8	3-13
L49	12-54	R65	34-7	V9	3-6
L50	40-7	R66	32-70	V10	3-7
L51	5-3	R67	34-3	V11	3-8
L52	5-2	R68	34-4	V12	3-9
L53	32-95	R69	32-159	V13	3-14
P1	32-99	R70	32-56	V14	3-16
P2	3-31	R72	35-8	V15	3-17
P3	3-32	R73	35-7	V16	3-19
R1	12-47	R74	32-160	V17	3-2
R2	12-38	R75	32-68	V18	3-15
R3	12-45	R76	41-7	V19	3-1
R4	12-33	R77	41-6	V20	3-18
R5	12-41	R78	32-64	X1	12-58
R6	12-34	R79	32-69	X2	12-59
R7	15-3	R80	35-3	X3	4-59
R8	18-5	R81	34-5	X4	12-60
R9	21-1	R82	34-9	X5	12-57
R10	24-3	R83	32-66	X6	32-132
R11	12-4	R84	32-53	X7	32-133
R12	12-39	R85	36-14	X8	32-134
R13	12-48	R86	32-62	X9	32-135
R14	12-46	R87	32-60	X10	32-136
R15	12-42	R88	32-61	X11	32-137

Reference Symbol	Figure & Index No.	Reference Symbol	Figure & Index No.	Reference Symbol	Figure & Index No.
X12	32-138	X16	32-122	X20	32-143
X13	32-139	X17	32-127	X21	4-37
X14	32-140	X18	32-142	Y7	37-7
X15	32-141	X19	32-128	Y8	42-1



SECTION IV
SPECIAL SERVICE TOOLS LIST

Figure 43. Special Service Tools

FIG & INDEX NO.	TOOL NO.	TOOL NAME	APPLICATION
43-1	T8222	Special pliers	RF tuner springs
-2	T8334	Pliers	"C" washers, crimping
-3	T8333	Wrench, spanner	Turret rotor assy nuts
-4	T8331-1	Swage	Contact springs, tuning unit shield
-5	T8331-2	Mounting, seat	Contact springs, tuning unit shield
-6	T8335	Jig	Band dial location
-7	T7644	Jig, fixture	Turret rotor assy
-8	T8332	Rod, line-up	Turret rotor and tuning unit shield
-9	T7982-7	Pin, locating	RF strip assy
-10	T7982-6	Bar, line-up	RF strip assy
-11	T7982-5	Pin, locating	RF strip assy

SECTION V
NUMERICAL PARTS INDEX

PART NUMBER	STOCK NO.		FIG & INDEX	TOTAL PER EQUIP.
	CODE	SERIAL		
Capacitor	3330	317680996	4-15	37
			4-16	
			12-9	
			12-10	
			12-11	
			12-12	
			12-13	
			12-14	
			12-15	
			12-16	
			12-17	
			12-18	
			12-19	
			12-20	
			12-21	
			12-22	
			12-23	
			12-24	
			12-25	
			12-26	
			12-27	
			12-28	
			13-3	
			14-1	
			15-1	
			17-1	
			18-1	
			32-85	
			32-86	
			32-87	
			32-88	
			36-16	
36-17				
36-18				
36-19				
Capacitor	3330	057252405	8-32	15
			32-79	
			32-89	
			32-90	
			32-91	
			32-92	
			32-93	
			32-94	
			34-13	
			37-4	
			37-5	
			38-8	
			40-1	
			40-2	
			5-8	
Clamp			5-8	2
Nut			4-41	20
			6-5	
Nut			32-125	11
			3-36	
			4-22	
			4-53	
Nut			5-7	5
			32-20	
			7-32	
Nut			32-26	1
			32-36	
Screw			4-6	22
			4-29	

PART NUMBER	STOCK NO.		FIG & INDEX	TOTAL PER EQUIP.
	CODE	SERIAL		
Screw			9-14	128
			10-10	
			42-12	
			4-44	
			8-9	
			8-11	
			8-16	
			8-24	
			8-26	
			9-47	
			10-3	
			10-9	
			13-15	
			32-7	
			32-16	
			32-39	
			32-44	
	Screw			
			32-153	
			32-167	
			2-5	
			4-35	
			5-10	
			7-3	
			7-17	
			7-27	
			13-11	
			32-40	
			32-117	
			39-8	
			40-19	
			42-25	
Screw			4-48	11
			9-17	
Screw			9-32	6
			32-172	
			32-46	
Screw			2-3	10
			8-31	
Screw			32-32	25
			7-22	
			7-36	
Screw			7-31	4
			10-6	
			8-22	
			3-67	
Screw			8-29	16
			9-8	
Screw			9-11	2
			32-35	
Screw			9-34	3
			4-21	
Screw			9-12	4
			32-19	
Screw			5-5	5
			41-25	
Screw			3-65	5
			32-23	
Screw			11-3	2
			11-12	
Screw			4-50	6
			32-145	
Screw			7-6	20
Screw				6

PART NUMBER	STOCK NO.		FIG & INDEX	TOTAL PER EQUIP.
	CODE	SERIAL		
Screw			7-9	
Screw			7-11	2
Screw			4-28	9
			6-7	
Screw			7-15	
Screw			4-38	6
Screw			4-62	6
Screw			32-129	
			3-49	4
			3-53	
Screw			4-52	2
Screw			9-40	6
Screw			3-71	2
Tubing			12-8	AR
Tubing			42-3	AR
Tubing			8-18	AR
			32-38	
Tubing			33-6	AR
Tubing			4-2	AR
Tubing			4-4	AR
			4-10	
			4-18	
			4-26	
			12-64	
			13-1	
			32-96	
			42-2	
Washer			9-39	6
AGC3	8870	112000-822	3-29	2
AN935-4	6700	989000	3-51	2
AN935-6	6700	989500	3-58	1
AN936A10	6700	991700	3-72	15
AN936A2	6700	991600	7-5	8
AN936A4	6700	991640	4-40	14
AN936A6	6700	991660	4-64	3
AN936A616	6700	991905	3-60	10
AN936A8	3300	656568500	4-23	5
AN936B4	6700	991450	32-126	25
AN936B6	6700	991480	4-63	58
AN936B8	6700	991505	3-37	6
CC20CJ070F	3330	055350285	26-1	3
CC20HJ150J	3330	055350284	29-1	2
CC21UJ050C	3330	055350279	12-6	2
CC21UJ120J	3330	313044140	25-3	1
CC21UJ270J	3330	055350082	41-5	1
CC21UJ510F	3330	313584255	28-3	1
CC21UJ120J	3330	313044140	4-3	1
CC26SL101K	3330	313889919	34-11	2
CC-80W-PP	3320	081552170	4-31	1
CE33F200R	3330	317508787	5-9	1
CE63D100H	3330	055600119	32-107	5
CM20B100K	3330	312988000	22-2	1
CM20C101G	3330	376003000	12-29	7
CM20C121G	3330	376005800	25-2	1
CM20C200J	3330	376012600	20-2	3
CM20C221G	3330	376017200	13-6	2
CM20C271G	3330	376021600	42-5	1
CM20C301G	3330	376023000	38-6	2
CM20C330J	3330	376024210	23-2	3
CM20C390J	3330	376029400	4-14	1
CM20C431G	3330	376032200	41-1	2
CM20C510G	3330	313584000	30-1	4
CM30C102G	3330	314920300	26-2	1
CM30C122G	3330	376122621	22-1	1
CM30C132G	3330	376122821	38-7	2
CM30C152G	3330	376124800	23-1	4
CM30C242J	3330	376130623	20-1	4
CM30C332G	3330	376134800	16-2	1
CM30C420F	3330	313409500	31-1	1
CM30C611F	3330	314617900	31-2	1
CM30C650G	3330	056200037	40-4	1

PART NUMBER	STOCK NO.		FIG & INDEX	TOTAL PER EQUIP.
	CODE	SERIAL		
CM30C811G	3330	314679000	19-1	1
CM30C850G	3330	056200038	13-5	3
CM30C920G	3330	313712965	28-2	1
CM30D222J	3330	376130080	4-13	1
CM35A102K	3330	376143390	35-10	1
CM35A512J	3330	376152200	32-80	3
CP28AIEF254M	3330	318001225	32-147	1
CP28AIEF503M	3330	316163541	32-105	1
CP53B6EF503V	3330	317704054	7-23	2
D-54108	0845	D-54108	6-11	1
H1047	8850	234767 (See Part No. 6143)		
JAN OA2	3370	331000-1615	3-15	1
JAN 12AU7	3370	286000-6185	3-19	1
JAN 5R4GY	3370	304000-5125	3-1	1
JAN 6AC7	3370	286000-6135	4-1	1
JAN 6AL5	3370	259000-6125	3-16	3
JAN 6BA6	3370	286000-6295	3-3	7
			3-4	
			3-5	
			3-6	
			3-7	
			3-8	
			3-9	
JAN 6BE6	3370	283000-6255	3-10	2
			3-11	
JAN 6C4	3370	316000-6145	3-12	3
			3-13	
			3-14	
JAN 6V6GT	3370	298000-6375	3-2	1
JK-34A	8850	753191 (See Part No. SC-1A)		
PL-284	8850	468750 (See Part No. 83-22SP)		
PL-293	8850	108770 (See Part No. 83-22AP)		
RA20AISA102AK	3350	844500-3851	32-158	2
RC20BF100K	3350	101000-1281	32-71	3
RC20BF102K	3350	101000-3271	12-33	7
RC20BF103J	3350	101000-4411	12-38	10
RC20BF104K	3350	101000-5491	32-68	13
RC20BF105K	3350	101000-6491	35-4	2
RC20BF112J	3350	101000-3311	33-4	2
RC20BF124J	3350	101000-5541	32-60	2
RC20BF151J	3350	101000-2321	12-43	1
RC20BF152K	3350	101000-3391	32-75	1
RC20BF181K	3350	101000-2431	4-11	2
RC20BF183K	3350	101000-4621	32-70	2
RC20BF203J	3350	101000-4641	35-8	1
RC20BF220K	3350	101000-1431	12-4	4
RC20BF222K	3350	101000-3561	13-2	7
RC20BF223J	3350	101000-4681	32-76	2
RC20BF240J	3350	101000-1441	21-1	2
RC20BF241J	3350	101000-2561	33-5	1
RC20BF273K	3350	101000-4811	34-8	1
RC20BF333J	3350	101000-4881	12-45	5
RC20BF335K	3350	101000-6911	32-48	1
RC20BF473K	3350	101000-5141	4-17	5
RC20BF474K	3350	101000-6241	32-64	2
RC20BF510J	3350	101000-1711	15-2	4
RC20BF511J	3350	101000-2881	12-41	11
RC20BF681K	3350	101000-3131	32-69	1
RC20BF682K	3350	101000-4271	12-44	1
RC20BF823J	3350	101000-5431	32-62	5
RC30BF203J	3350	131000-5531	37-3	1
RC30BF222K	3350	131000-3931	35-6	1
RC30BF361J	3350	131000-2991	32-77	1
RC30BF563J	3350	131000-6515	35-7	1
RW32G252	3350	521000-5781	36-14	1
SC-1A	8850	753191	32-100	1
SO-239	8850	667760 (See Part No. 83-IR)		
SR-4	1790	696896875	32-103	1
TSE7T101	8850	882880	12-58	14
TSE7T102	8850	882870	12-57	1
TSF0T101	3370	774000-1935	3-25	3
TSF0T102	3370	774000-1945	3-26	11

PART NUMBER	STOCK NO.		FIG & INDEX	TOTAL PER EQUIP.
	CODE	SERIAL		
TSF0T103	3370	774000-1965	3-27	1
TSF0T105	3370	774000-2175	3-24	1
T7644			43-7	1
T7982-5			43-11	4
T7982-6			43-10	4
T7982-7			43-9	1
T8222	7910	562810	43-1	1
T8331-1			43-4	1
T8331-2			43-5	1
T8332			43-8	1
T8333			43-3	1
T8334			43-2	1
T8335			43-6	1
T-2-5	8880	387256024	4-43	4
			4-60	
			32-4	
			32-152	
T-8-6	8880	396650136	32-165	2
			32-166	
WA510	6700	480930-95	4-58, 9-30	
10002-16			4-39	6
10002-4			6-4	8
10003-6			9-18	1
10007-58			4-55	4
10010-19			7-34	2
10010-35			32-29	1
10012-41			4-65	44
			7-26	
			10-10	
			32-41	
			32-118	
			32-131	
			32-151	
			32-155	
			32-173	
10012-67			41-9	1
10012-90			9-19	1
			3-59	12
			4-25	
			6-15	
			6-20	
			6-23	
			10-13	
			32-162	
10013-56			6-9	4
10023-48			3-70	8
10027-13			9-20	2
10049-2			8-14	2
103	8880	065000-4555	8-7	1
11726-109	3330	058100033	4-27	1
11776-1	3330	085100035	42-10	1
11806-2	7910	859480	8-1	1
11806-3	7910	859490	8-2	1
11806-4	7910	859500	8-3	1
11890-1			9-42	1
11-593-A			13-7	9
			38-3	
			40-15	
			41-19	
			42-13	
1220-2	6700	991395-45	6-14	1
124	8880	747000-4955	32-123	2
139	6700	191173-85	8-20	2
1520	8880	501057-3955	4-61	1
15342-11	3350	793000-4726	32-53	1
15342-21	3350	793000-2351	32-54	1
15342-4	3350	793000-1926	32-160	1
15611-1	3340	310020851	12-50	1

PART NUMBER	STOCK NO.		FIG & INDEX	TOTAL PER EQUIP.
	CODE	SERIAL		
15612-1	3340	060717320	12-51	4
			12-52	
			12-53	
			37-6	
15613-1	3340	060710670	12-54	2
			40-7	
15615-1	3340	060081510	41-11	1
15616-1	3340	060717330	35-11	1
15617-1	3340	060710690	4-9	1
15618-1	3340	307776150	4-8	1
15619-1	3340	307776000	4-7	1
15856-1	3360	395487053	33-1	1
15862-1	3360	395499710	10-11	1
15879-1	3360	395499709	4-24	1
15923-1	8870	556000-555	32-156	1
15923-4	8870	556000-555	32-157	1
15989-5	8850	882453	12-60	1
16174-1			32-144	10
16619-5	3320	332308502	12-62	1
19317-76	3350	082000-6641	12-47	3
			12-48	
			12-49	
2029	6600	324381	32-102	2
2104-4	8880	747000-3555	42-11	1
2104-6	8880	747000-3155	8-17	16
			13-4	
			32-14	
			32-112	
			32-121	
			32-148	
			32-164	
			32-171	
2109-10-01	8880	755000-4625	32-34	1
23070-40	3330	314996321	32-78	1
23071-63	3330	056200712	28-1	1
23071-64	3330	056200039	25-1	1
23071-67	3330	056200722	16-1	1
2423			4-42	2
			32-170	
2666	6600	324387	4-45	1
31002-1			11-7	7
31003-1	3340	061750070	8-58	48
31004-1	1760	049200515	14-3	36
			15-5	
			16-4	
			17-3	
			18-5	
			19-3	
			20-4	
			21-6	
			22-4	
			23-4	
			24-11	
			25-5	
			26-4	
			27-3	
			28-5	
			29-4	
			30-3	
			31-4	
31017-1			40-16	4
			42-23	
31017-2			39-2	2
31018-1	3340	061750080	41-14	4
			41-17	
			42-17	
			42-20	
31019-1	3340	062700050	32-3	3

PART NUMBER	STOCK NO.		FIG & INDEX	TOTAL PER EQUIP.
	CODE	SERIAL		
31021-1			38-1	2
			42-14	
31022-1			40-14	1
31023-1	1760	049200520	32-101	5
31026-1	3340	060710080	39-3	2
			39-4	
31027-1			41-18	1
31028-1			41-21	1
31029-2	3340	063902440	32-33	1
31030-2	3340	062454590	5-3	1
31031-2	3340	062454580	5-2	1
31036-1	1760	047414080	9-37	1
31037-1	1760	047414085	9-38	1
31047-1			9-10	1
31050-1			9-9	1
31052-1	1760	047271000	9-24	1
31057-1	3340	060706450	42-16	1
31059-1			9-7	3
31063-1			9-36	1
31065-1			11-4	3
31065-2			11-5	3
31066-1			11-6	1
31067-1	3340	060709970	39-4	4
			39-5	
			39-6	
			39-7	
31068-1			42-15	1
31069-1	3340	063100380	13-12	1
31070-1			41-12	1
31071-1			41-15	1
31072-1	3340	060706460	41-13	1
31073-1	3340	060706470	41-16	1
31076-1			41-20	1
31077-1			11-1	1
31078-1			11-2	1
31078-2			11-11	1
31080-1			10-1	1
31083-1			7-14	2
31085-1			9-33	1
31086-2	3340	062753100	32-106	1
31089-1			12-3	24
31090-1	3340	061750090	40-10	2
			40-13	
31091-1			41-22	1
31091-2			41-23	1
31092-1			39-1	5
			40-17	
			42-21	
31093-1	3340	064150410	42-19	1
31094-1			42-22	1
31095-1	1760	047414200	9-27	1
31096-1	1760	047414000	9-28	1
31097-1	1760	047414100	9-29	1
31098-1	1760	047270500	9-26	1
31101-1			38-2	1
31102-1	3340	297062405	32-10	2
			32-11	
31103-1	3340	063100390	13-13	1
31105-1	3340	062700060	32-6	1
31106-1	1760	048234010	32-12	1
31110-1			40-11	1
31111-1	3340	060706480	40-12	1
31114-1	8880	399650121	32-9	1
31115-1	3340	060706490	40-9	1
31116-1	3340	063100840	32-8	1
31117-1			10-2	3
31119-1			8-28	1
31124-1			37-1	1

PART NUMBER	STOCK NO.		FIG & INDEX	TOTAL PER EQUIP.
	CODE	SERIAL		
31125-1	1760	049201600	9-3	1
31126-1	1760	049201700	9-2	1
31128-1			8-10	1
31129-1			8-30	1
31130-1	2100	2X82-3500	37-7	1
31131-1			32-13	1
31132-1	3340	062700070	32-5	1
31133-1	3340	062700010	32-2	1
31135-1			32-175	1
31136-1			12-65	1
31137-1			9-35	1
31138-1			7-29	1
31139-1			7-19	1
31140-1			32-163	1
31141-1	8880	399650121	32-168	1
31142-1			7-20	5
			10-5	
			32-30	
31143-1			7-21	6
			7-35	
31144-1			10-4	1
31145-1			2-2	1
31146-1			7-18	1
31146-2			7-16	1
31150-1	1760	047270800	9-21	1
31151-1			32-115	1
31155-1			8-25	1
31162-1	8880	387257003	36-1	1
31163-1	8880	387256594	34-1	2
			35-1	
31164-1			9-23	1
31166-1			9-43	1
31169-1	1760	046914900	9-22	1
31173-1	1760	045730200	9-25	1
31176-1			33-2	1
31177-1	1760	048870000	9-6	1
31179-1			13-8	2
31181-1			13-9	1
31182-1			13-10	1
31183-1	3340	063100850	8-21	1
31185-1			7-7	1
31186-1	3320	084413010	7-10	1
31189-1			9-13	4
31192-1			11-9	1
31198-1			9-4	1
31199-1	3320	084413015	7-4	2
31201-1	1760	045730000	9-1	1
31202-1			9-15	1
31203-1			12-2	4
31204-1			11-8	1
31205-1	1760	049201500	9-5	2
31209-1			40-8	1
31215-1	3320	083352975	3-40	2
31216-1			32-55	1
31217-1			32-116	1
31219-3			6-1	1
31225-1			12-63	3
31226-1	1760	049201700	12-64	1
31227-1	3320	080150800	3-41	1
31227-2	3320	080150810	3-42	1
31227-3	3320	080150820	3-43	1
31227-4	3320	080150830	3-44	1
31227-5	3320	080150840	3-45	1
31231-1			8-23	1
31234-1			12-1	4
31235-1			32-98	1
31238-1			3-69	1
31239-1	1760	049239030	9-44	3

PART NUMBER	STOCK NO.		FIG & INDEX	TOTAL PER EQUIP.
	CODE	SERIAL		
31240-1			32-1	1
31241-1			41-8	1
31242-1			42-18	1
31244-1	3340	064151050	16-3	1
31245-1	3340	064151060	14-2	1
31246-1	3340	064151070	15-4	1
31248-1	3340	064151080	19-2	1
31249-1	3340	064151090	17-2	1
31250-1	3340	064151100	18-4	2
31251-1	3340	064151110	22-3	1
31252-1	3340	064151120	20-3	1
31253-1	3340	064151130	21-5	1
31254-1	3340	060710790	25-4	1
31255-1	3340	064151140	23-3	1
31256-1	3340	064151150	24-5	2
31257-1	3340	060710800	28-4	1
31258-1	3340	064151160	26-3	1
31259-1	3340	064151170	27-2	2
31260-1	3340	060710810	31-3	1
31261-1	3340	064151180	29-3	1
31262-1	3340	064151190	30-2	2
31275-1	5200	132027	4-30	1
31276-1	1760	045350075	7-2	2
31277-1			9-41	1
31278-1	1760	046240500	10-7	1
31279-1	1760	049200020	9-46	3
31280-1			7-28	1
31282-1	3320	084776015	6-6	1
31283-1	1760	046785100	6-2	2
31285-1			9-45	1
31286-1			5-1	1
31287-1	1760	047270000	9-31	1
31288-1	1760	047271500	9-16	1
31290-1			7-33	2
31291-1			8-33	1
31376-1	1760	049010040	8-12	1
31378-1	3340	062700080	8-15	1
31385-1	1760	049685018	8-37	1
31386-1	1760	049685020	8-35	2
			8-36	
31387-1	1760	049685030	8-34	1
31388-1	1760	049685033	8-41	1
31389-1	1760	049685037	8-39	2
			8-40	
31390-1	1760	049685040	8-38	1
31391-1	1760	049685050	8-45	1
31392-1	1760	049685052	8-43	2
			8-44	
31393-1	1760	049685054	8-42	1
31394-1	1760	049685056	8-49	1
31395-1	1760	049685058	8-47	2
			8-48	
31396-1	1760	049685060	8-46	1
31397-1	1760	049685070	8-53	1
31398-1	1760	049685080	8-51	2
			8-52	
31399-1	1760	049685090	8-50	1
31403-1	1760	049685130	8-57	1
31404-1	1760	049685140	8-55	2
			8-56	
31405-1	1760	049685150	8-54	1
31406-1			2	1
31407-1			2-1	1
31408-1			3-68	1
31409-1			3-64	1
31410-1			4-19	1
31411-1			4-5	1
31412-1			4-36	1

PART NUMBER	STOCK NO.		FIG & INDEX	TOTAL PER EQUIP.
	CODE	SERIAL		
31413-1			4-57	1
31414-1			4-51	1
31415-1			4-47	1
31416-1			4-46	1
31417-1	1760	048818120	4-49	6
31418-1			4-54	4
31419-1			4-33	3
31419-2			4-34	1
31420-1			32-31	1
31421-1			32-28	4
31422-1	1760	048496065	32-22	1
31423-1			3-35	1
31424-1	1760	048496070	32-24	2
31425-1			32-25	1
31426-1			32-45	1
31427-1			14-4	4
			17-4	
			20-5	
			23-5	
31428-1			15-6	8
			16-5	
			18-6	
			21-7	
			22-5	
			24-7	
			27-4	
			30-4	
31429-1			26-5	
			29-5	
31430-1			19-4	4
			25-6	
			28-6	
			31-5	
			6-16	1
31431-1			6-17	1
31431-2			6-18	1
31431-3			6-21	1
31432-1			3-56	1
31433-1			3-39	2
31434-1	3320	083351200	3-48	1
31435-1			3-52	1
31436-1			3-57	1
31437-1			7-12	1
31438-1			7-13	1
31439-1			3-38	1
31446-1			3-66	1
31447-1			3-28	1
31449-1	3300	028700033	8-4	1
31452-1			3-62	1
31453-1			6-12	1
31454-1	8880	399650098	6-13	1
31460-1			3-46	1
31462-1			6-8	1
31463-1	1760	045899020	3-61	1
31469-1	3360	395332800	3-50	2
31470-1			3-54	
			42-1	1
31471-1	2100	2X32-455	32-104	1
31472-1			2-4	1
31476-1			2-6	1
31477-1			8-5	1
31479-1			4-32	1
31483-1			5-4	2
31484-1			32-95	1
31488-1	3340	063100110	32-97	1
318.375			8-6	1
33	8880	065000-7585	8-27	1
34001-1	3330	314031021	3-30	9
350-2				

PART NUMBER	STOCK NO.		FIG & INDEX	TOTAL PER EQUIP.
	CODE	SERIAL		
402AC	8850	494880	32-113	2
			32-114	
415-2			3-34	1
415-3			3-33	3
47	8870	938000-375	3-20	4
			3-21	
			3-22	
			3-23	
4903-2	0801	4903-2	6-10	1
4904-5	8880	500257-6855	32-169	1
5066-1	8850	753191	32-100	1
53F12875	8850	869279	32-122	1
6039-1			3-47	1
6143	1760	045635000	32-99	1
78	8800	146406-65	8-19	4
79	6700	191173-58	32-37	4
81	8870	744000-255	3-63	4
81057N	3360	074033795	32-52	1

PART NUMBER	STOCK NO.		FIG & INDEX	TOTAL PER EQUIP.
	CODE	SERIAL		
8280	3360	395739234	32-50	2
			32-51	
8360	8800	834050	32-49	1
8363	3360	395670331	32-47	1
83-IR	8850	667760	32-120	1
83-22AP	8850	108770	3-32	1
83-22R	8850	669600	12-56	1
83-22SP	8850	468750	3-31	1
9006	3370	304000-9135	4-37	6
915-LGB	3320	332308502 (See Part No. 16619-5)	32-43	1
9226-11			7-1	4
9226-13			32-18	1
926B-16	3300	287178300	4-20	1
926B-31	3370	085400-2385	32-17	1
926C-13	3370	085400-2525	4-59	3
9859	8850	896548	32-127	
			32-128	