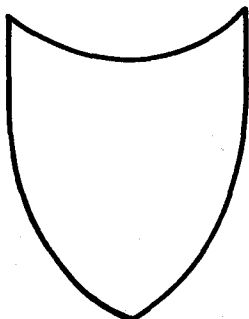


7654-TR-0189-7m
0104

SOUTH AFRICAN DEFENCE FORCE
SUID - AFRIKAANSE WEERMAG

RS - B25 - SA

TECHNICAL MANUAL
TEGNIËSE HANDBOEK



THOMSON-CSF

SHEET INDEX

| SHEET No. | DATE OF ISSUE | SHEET No. | DATE OF ISSUE | SHEET No. | DATE OF ISSUE |
|--------------------|--------------------|-----------|---------------|-----------|---------------|
| 0-1 to 0-8 | original | | | | |
| 1-1 to 1-9 | original | | | | |
| 2-1 to 2-8 | original | | | | |
| 3-1 to 3-6 | original | | | | |
| 4-1 to 4-96 | original | | | | |
| 5-1 to 5-24 | original | | | | |
| 6-1 to 6-145 | original | | | | |
| 7-1 to 7-33b | plates original | | | | |
| 8-1 to 8-175 | original | | | | |

SECTION EIGHT

INDEX OF EQUIPMENT ILLUSTRATIONS

SHEET INDEX

| SHEET No. | DATE OF ISSUE | SHEET No. | DATE OF ISSUE | SHEET No. | DATE OF ISSUE |
|-----------|---------------|-----------|---------------|-----------|---------------|
|-----------|---------------|-----------|---------------|-----------|---------------|

| MODIFICATION DECISION NO. | PURPOSE |
|--------------------------------------|----------------|
| | |

CONTENTS

| | Sheet |
|---|-------|
| <u>PART 1</u> | |
| COVER PAGE | 8-1 |
| SHEET INDEX | 8-2 |
| LIST OF MODIFICATION DECISIONS | 8-5 |
| CONTENTS | 8-6 |
| IDENTIFICATION SHEET | 8-7 |
| INTRODUCTION | 8-9 |
| GENERAL INFORMATION | 8-10 |
| | |
| <u>PART 2</u> | |
| GROUP ASSEMBLY PARTS LIST | 8-15 |
| | |
| <u>PART 3</u> | |
| ALPHANUMERICAL INDEX A VERSION + B VERSION IDENTICAL ITEMS | 8-129 |
| | |
| ALPHANUMERICAL INDEX ANNEX B VERSION | 8-165 |

1.1 - IDENTIFICATION SHEET

SHEET NO.

| | | | | | | |
|--|------------------------|--|--------------------------|--------------------|--|--------------------|
| CATALOGUE NO. | | MANPACK TRANSCEIVER | | | CODE NUMBER | |
| RSB-25A | | | | | 15005524 (A VERSION) 15005707 (B VERSION) | |
| | | | | | | |
| EQUIPMENT | | Manufacturer : THOMSON-CSF 15005524 (A) Manufacturer's part : 15005707 (B) | | | NATIONALITY | |
| | | | | | French | |
| Code number | Main components | Qty | Dimensions (cm) | | | Weight (kg) |
| | | | Width or diameter | Length | Height | |
| 15028182 or 15029934 | Transceiver unit | 1 | | | | |
| 15028184 | Battery unit | 2 | | | | |
| 15028222 or 15029935 | Remote Control unit | 1 | | | | |
| 15029419 | Whip Antenna | 1 | | 1900 | | |
| 15169278 | Open Wire Antenna | 1 | | 231,5 | | |
| DIMENSIONS AND WEIGHT WITH ALL COMPONENTS | | | | | | |
| | | Width or diameter (cm) | Length (cm) | Height (cm) | Volume (m3) | Weight (kg) |
| - unfitted | | | | | | 7,865 |
| - with road transport packing | | | | | | |
| with air transport packing | | | | | | |
| - with sea transport packing | | | | | | |

SPECIFICATIONS

| | |
|----------------------------|--|
| - Frequency range | - 2 to 29.999 MHz |
| - Number of channels | - 28 000 |
| - Channel spacing | - 1 kHz |
| - Frequency setting | - by decade |
| - Self contained operation | - 14 hours for a cycle of 1 mn transmission and 9 mn reception (speech) |
| - Frequency stability | - $\pm 1 \times 10^{-6}$ in the temperature range within -15 and +15°C |
| - Standing wave ratio | - 2 |
| - Battery unit | - 14.4 V - charging ratio 6/10 - nickel cadmium fitted with a built-in charger |

OPERATIONAL FEATURES

| | |
|---|---|
| - Operating mode on transmission and on reception | (a) A2-J (b) A3-H on transmission and amplitude modulated on reception (c) A3-J upper band (d) A3-J lower band |
| - Hermetically | Sealed |

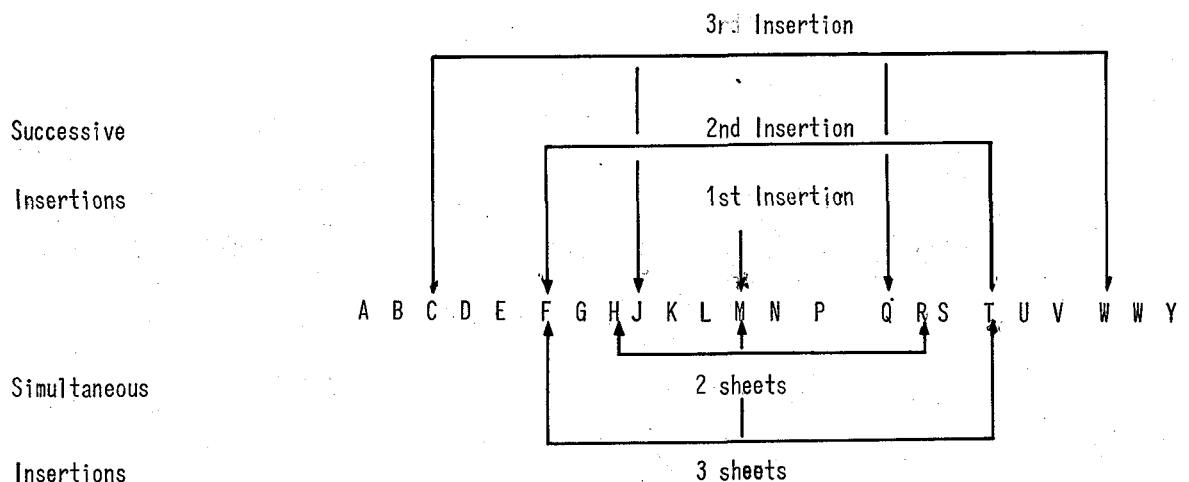
| | |
|-------------------------------------|----------------------------|
| Contract number | Technical documents |
| Specifications | |
| Commissioning date | |
| Contract price (free of tax) | |

INTRODUCTION

USE AND REVISION OF MANUAL

- . Knowing the item part number, refer to the section-plate-symbol number of the general alphanumerical index in order to find the relevant figure.
- . Knowing the section-drawing-symbol number of an item, refer to column "MANUFACTURER'S PART NUMBER" in the list attached to the plate.
- . Knowing the circuit symbol and the item part number, refer to the section-plate-symbol number in the circuit symbol index.
- . Revision consists in :
 - . Insertion of the new sheets and replacement of the modified sheets.
 - . Systematic replacement of title page and sheet index.
- . Sheet Numbering :
 - . Addition of one (or several) new sheet(s) after the last sheet of a section.
 - . Numbering is done in the usual way.
 - . Insertion of one (or several) new sheet(s) between two existing sheets.

The new sheet(s) bear the number of the preceding sheet, followed by a capital letter, except I, O and Z. The letters are chosen so as to allow the greatest possible number of insertions. The principle is show below :



GENERAL INFORMATION

USE AND REVISION OF THE I.P.L.

Adding new items to the group assembly parts list.

When one or several items have to be inserted in a parts list, they are itemized at their rank in the breakdown of the assembly they belong to. Their symbol is that of the preceding item followed by a suffix (A, B, C, ..., etc.).

The aim sought is to avoid changing all the symbols in the text and drawing. However this method can be used only if there is enough space for the new item(s) in the corresponding drawing. If not, a new text and a new drawing shall be inserted just behind the preceding nomenclature.

Special Case : New items resulting from a modification of assembly.

If an assembly which is still in use is modified in such a way that the manufacturer's part number changes, and if both the old and the new assemblies have most parts in common, the new items shall be inserted like "Items which have most parts in common" .

Adding new drawings :

The new drawing to be inserted in the I.L.P. shall be numbered in accordance with the principle used for the addition of new items.

They bear the symbol of the preceding drawing, followed by a suffix letter : A, B, C, ... etc.

Removing items :

Items to be removed or modified under an official modification decision, shall be given a usage code "Applicable only before implementation of modification no ..."

They shall be deleted from the I.P.L. when it is sure that said modification has been carried out in all the assemblies concerned and that all the stored items have actually been removed or modified.

When both conditions are met, item number alone remains in the list, followed by "deleted" in the manufacturer's part number column.

DEFINITION OF THE MATERIAL COVERED BY THE I.P.L. :

The I.P.L. covers the RSB25A number 15005524 and 15005707 consisting of the subassemblies listed in plate 1 of part 2.

BREAKDOWN OF THE ASSEMBLY :

Considering the assembly, the subassembly and the sub-subassembly show in the corresponding drawing, within the text :

- (a) A detail part or an item belong to the next assembly, the nomenclature of which is indented one space to the left.
- (b) A group of parts or a component embodies all their next subassemblies the nomenclature of which is indented one space to the right.

SYMBOLS USED IN THE GROUP ASSEMBLY PARTS LIST

FM : for memory

VENDOR CODE :

F0052 THOMSON- CSF

USAGE CODE :

No code is used in this I.P.L.

LIST OF MANUFACTURERS

| VENDOR CODES | NAMES AND ADDRESSES |
|--------------|--|
| A2952 | GENERAL INSTRUMENT EUROPE Plazza Amendola 9 - MILAN 20149. ITALIE |
| D8532 | STETTNER FABRIK ELECTROKERAMISCHER ARTIKEL Hersbrucker str. 22 Pf7. Lauf A.D. PEGNITZ RFA |
| F0052 | CSF (CIE DE TELEGRAPHIE SANS FIL) SA. Groupement M (Matériels militaires). 66, avenue Pierre Brossolette - 92 240 MALAKOFF |
| F0110 | ASSOCIATION FRANCAISE DE NORMALISATION "AFNOR" Tour Europe - 92 400 COURBEVOIE |
| F0114 | UNION TECHNIQUE DE L'ELECTRICITE "UTE" 54, avenue Marceau - 75 008 PARIS |
| F0115 | COMITE DE NORMALISATION DU COMITE DE COORDINATION DES TELECOMMUNICATIONS "CCTU". 76, rue du Général Leclerc - 92 130 ISSY-LES-MOULINEAUX |
| F0229 | JOINT FRANCAIS (LE) SARL "LJF" 10, rue de la Baume - 75 008 PARIS |
| F0235 | IMPERVIA (Sté d'ETUDES ET DE REALISATIONS) SA 1, rue Barbès - 92 400 COURBEVOIE |
| F0286 | AMP DE FRANCE SA DIV "AMPLIVERSAL" 26, chaussée Jules César - 95 300 PONTOISE |
| F0318 | ALLIANCE TECHNIQUE INDUSTRIELLE "ATI" 134, avenue de Paris - 92 320 CHATILLON-SOUS-BAGNEUX |
| F0349 | NOMEL (NOUVEAUTES MECANQUES ELECTRIQUES) 28 100 DREUX |
| F0350 | LCC - CICE (CIE EUROPEENNE DE COMPOSANTS ELECTRONIQUES) SA 128, rue de Paris - 93 100 MONTREUIL-SOUS-BOIS |
| F0503 | RADIALL SA 111, avenue Philibert Haussmann - 93 110 ROSNY-SOUS-BOIS |
| F0537 | SECME (Sté D'ETUDES ET CONSTRUCTION DE MATERIEL ENCASTRE) 13 bis, rue des Envierges - 75 020 PARIS |
| F0978 | OHMIC SARL 69, rue Archereau - 75 019 PARIS |
| F0986 | PRECIS SA 8, boulevard de Ménilmontant - 75 020 PARIS |
| F1119 | ARNOULD SARL 15, rue de Madrid - 75 008 PARIS |
| F1379 | HELGO EUROFARAD SA 93, rue Oberkampf - 75 011 PARIS |
| F1621 | ELECTRO-RESISTANCES (Sté FRANCAISE DE L') SA SFERNICE 8 bis, rue de la Rochefoucault - 92 100 BOULOGNE-BILLANCOURT |

| VENDOR CODES | NAMES AND ADDRESSES |
|--------------|--|
| F1931 | REALISATIONS ULTRASONIQUES 9, Chaussée de Paris - 77 100 MEAUX |
| F2210 | TEXAS INSTRUMENTS-FRANCE SA 06 270 VILLENEUVE LOUBET |
| F2220 | TEK-ELEC-AIRTRONIC SA Rue Carlø Vernet - 92 310 SEVRES |
| F2600 | VIRAX, SA 54, avenue Philippe Auguste - 75 011 PARIS |
| F2779 | COMPTOIR EUROPEEN DE MATERIEL ELECTRONIQUE SARL "COMATEL" 8, avenue Jean-Jaurès - 92 240 MALAKOFF |
| F3132 | CANNON ELECTRIC FRANCE SA 276, rue des Pyrénées - 75 020 PARIS |
| F3223 | SGS FAIRCHILD SA (Sté Générale de SEMI-CONDUCTEURS) 38, rue de l'Yvette - 75 016 PARIS |
| F3422 | FIRADEC SA 6, rue Monsieur - 75 007 PARIS |
| F4204 | RADIOTECHNIQUE-COMPELEC (LA) RTC SA 51, rue Carnot - 92 150 SURESNES |
| F4601 | SESCOSEM (Sté EUROPEENNE DE SEMI-CONDUCTEURS ET DE MICRO-ELECTRIQUES) SA 101, boulevard Murat - 75 016 PARIS |
| F4759 | SILEC SEMI-CONDUCTEUR SA 122, rue Mollet - 75 017 PARIS |
| F6180 | LIGNES TELEGRAPHIQUES ET TELEPHONIQUES SA 78 700 CONFLANS-SAINT-HONORINE |
| F6204 | CSF (CIE GENERALE DE TELEGRAPHIE SANS FIL) SA Groupement "CP" (Application civile professionnelle) 55, rue Greffulhe - 92 300 LEVALLOIS-PERRET |
| F6205 | CSF (CIE GENERALE DE TELEGRAPHIE SANS FIL) SA Groupement "D" 12, rue de la République - 92 800 PUTEAUX |
| K1100 | AMPHENOL BORG ELECTRONICS L.T.D. WITSTABLE KENT - GRANDE BRETAGNE |
| 04713 | MOTOROLA INC. SEMICONDUCTOR Products Division BO X 955 PHOENIX-ARIZONA - USA |
| 07263 | FAIRCHILD SEMICONDUCTOR DIVISIONS. Mountain View - CALIFORNIE - USA |
| 17856 | SILICONIX INC. PO. BOX 421 SCOTTDALE - PA 15683 - USA. (PENSYLVANIE). |
| 28480 | HEWLETT ET PARCKARD CO 1501 Page Mill Road Palo Alto - CALIFORNIE - USA. |

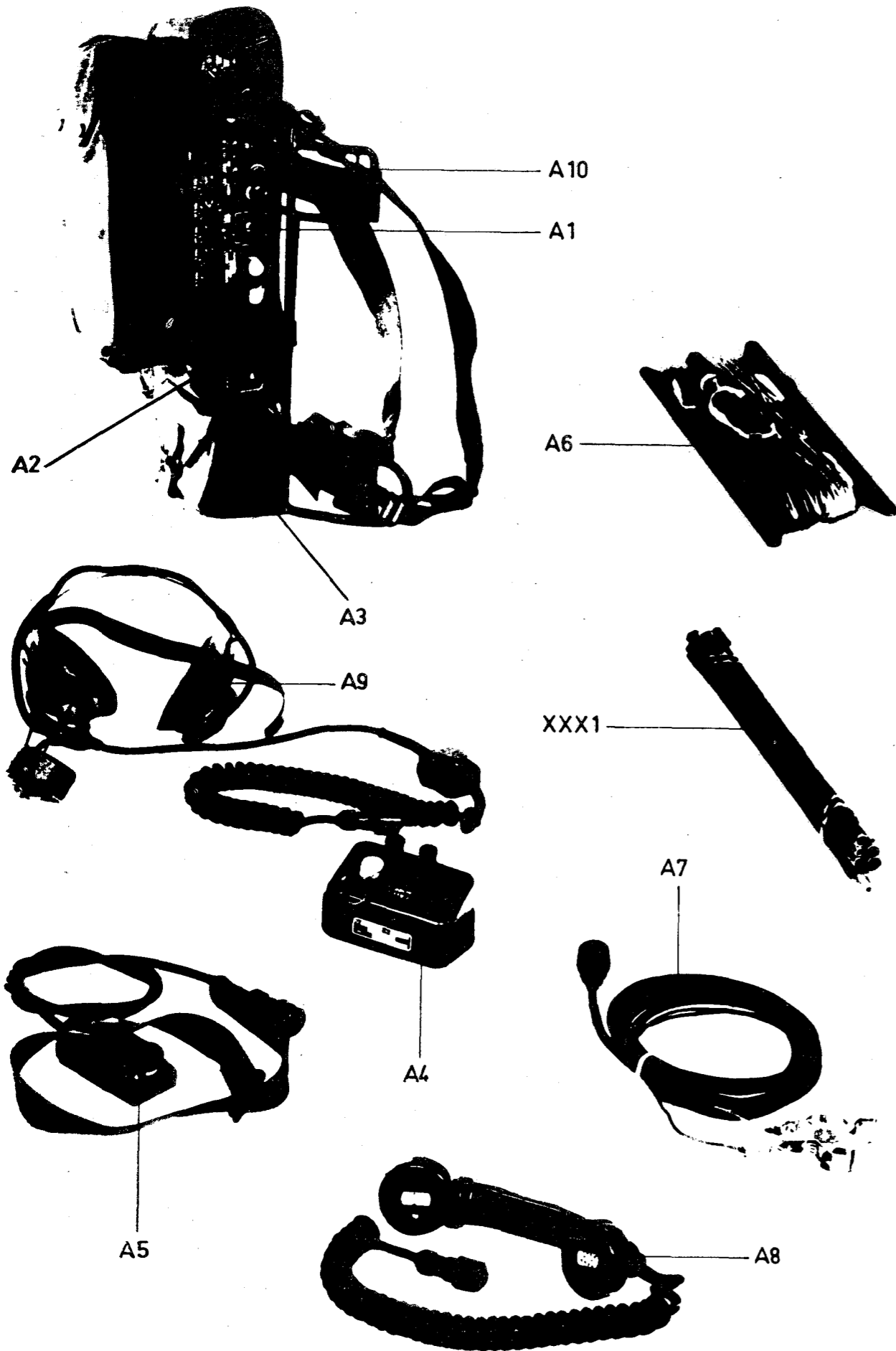
VENDOR CODES

NAMES AND ADDRESSES

| | |
|-------|--|
| 73899 | J.F.D. ELECTRONICS CORP. 15 th and 82 ND Street BROOKLYN - NEW-YORK - USA. |
| 75042 | INTERNATIONAL RESISTANCE CO 401 Nord Broad Street PHILADELPHIE - PENNSYLVANIE - USA. |
| 78526 | STANWYCK WINDING CO 139 walsh ave NEWBURG - NEW-YORK - USA. |
| 86684 | RCA ELECTRONIC COMPONENTS AND DEVICES 415 S Fifth Street HARRISON - NEW-JERSEY - 070 Z9 - USA. |
| 95275 | VITRAMON INC BO X 544 BZIDGEPORT - CONNECTIENT - USA. |

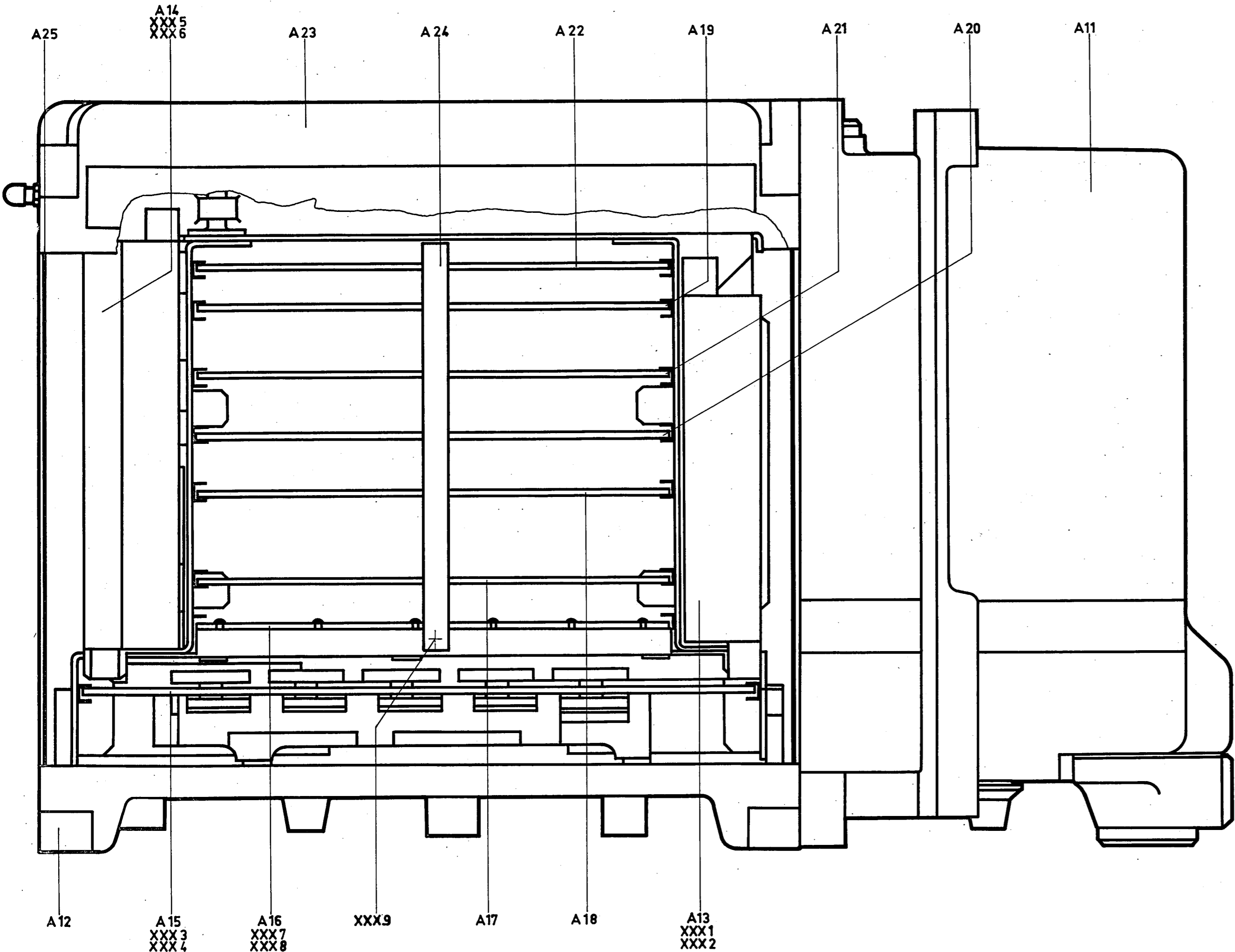
BREAKDOWN

| <u>Section</u> | <u>Sheet</u> |
|--|--------------|
| 1 . MAN PACK | 8-18 |
| 2 . TRANSCIEVER | 8-20 |
| 2.1 . . Antenna tuning unit | 8-22 |
| 2.1.1 . . . PC board assembly (Selector) | 8-24 |
| 2.1.2 . . . PC board assembly (Feedback phase loop) | 8-26 |
| 2.2 . . Chassis assembly | 8-30 |
| 2.2.1 . . . PC board assembly (Front panel) | 8-32 |
| 2.2.2 . . . PC board assembly (Interconnections) | 8-34 |
| 2.3 . . Converter | 8-36 |
| 2.3.1 . . . PC board assembly (Converter) | 8-38 |
| 2.4 . . HF head | 8-42 |
| 2.4.1 . . . PC board assembly (Input protection) A and B version | 8-44 |
| 2.4.2 . . . PC board assembly (Mixer and 102.5 MHz IF) | 8-48 |
| 2.4.3 . . . PC board assembly (Transceiver mixer) A and B version | 8-52 |
| 2.4.4 . . . PC board assembly (VCO) A and B version | 8-60 |
| 2.5 . . PC board assembly (Frequency selector) | 8-68 |
| 2.6 . . PC board assembly (Synthesiser board N°1) A and B version | 8-70 |
| 2.7 . . PC board assembly (Synthesiser board N°2) | 8-78 |
| 2.8 . . PC board assembly (Synthesiser board N°3) | 8-82 |
| 2.9 . . PC board assembly (2.5 MHz IF Filter circuit) | 8-84 |
| 2.10 . . PC board assembly (AF circuit) A and B version | 8-90 |
| 2.11 . . PC board assembly (Driver) | 8-98 |
| 2.12 . . PC board assembly (Peripheral circuits) | 8-104 |
| 2.13 . . 20 W amplifier | 8-108 |
| 2.13.1 . . . PC board assembly (Ampli face N°1) | 8-110 |
| 2.13.2 . . . PC board assembly (Ampli face N°2) | 8-114 |
| 3 . BATTERY UNIT | 8-118 |
| 4 . CONTROL UNIT | 8-120 |
| 4.1 . . PC board assembly (Remote control) A and B version | 8-122 |
| 5 . KNEE OPERATED KEYS | 8-126 |



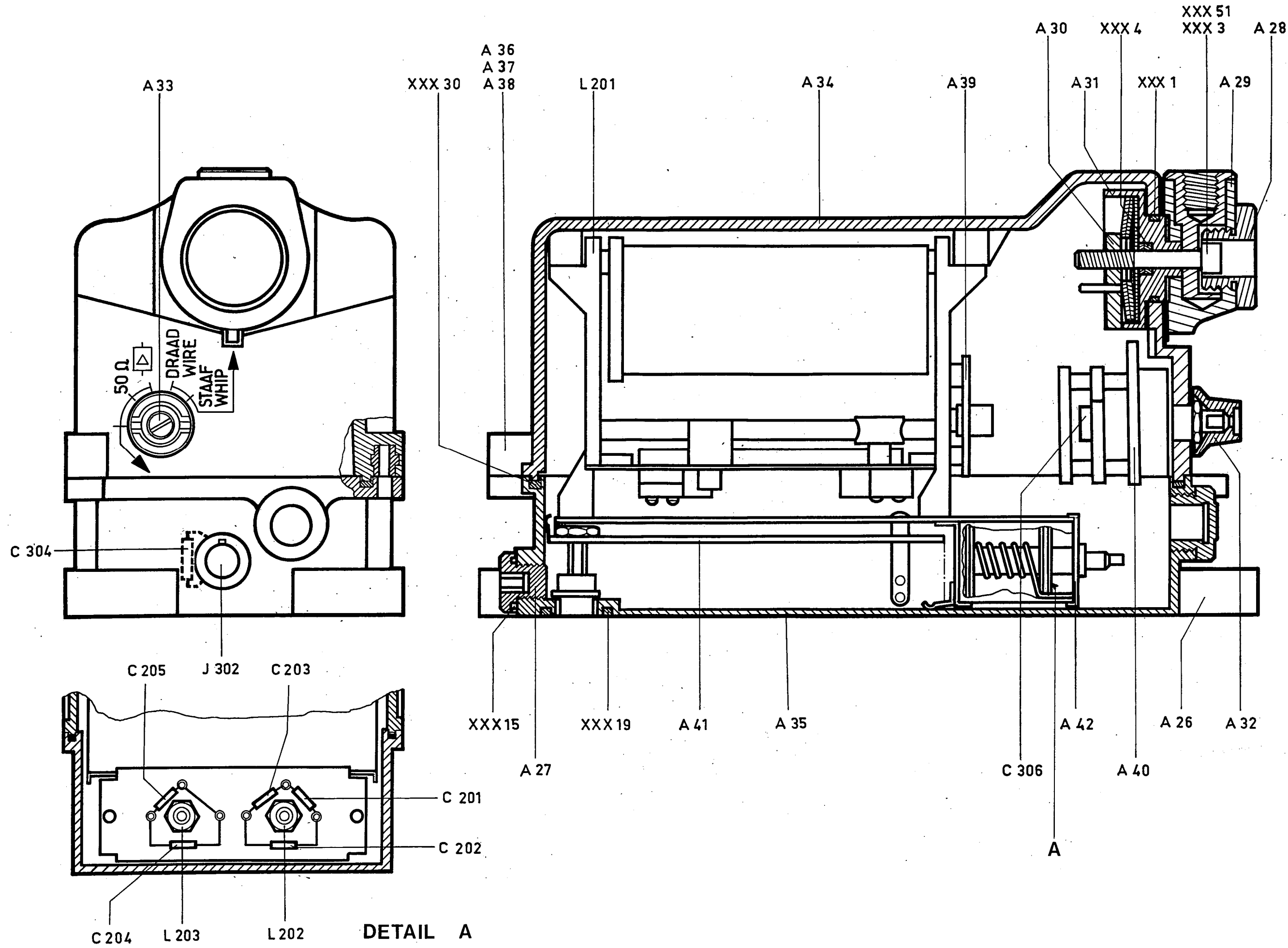
PL.1 - MAN-PACK

| INDEX | MANUFACTURER'S PART NUMBER | DESCRIPTION | | | | | | | QTY | AP |
|-------|-------------------------------|---|---|---|---|---|---|---|-----|----|
| | | 1 | 2 | 3 | 4 | 5 | 6 | 7 | | |
| | 15005524 | MAN-PACK (A version)..... | | | | | | | | |
| | 15005707 | MAN-PACK (B version)..... | | | | | | | | |
| A1 | 15028182 | . TRANSCIVER UNIT (A version) (SEE SECTION 2,PL1)..... | | | | | | | 1 | |
| A1 | 15029934 | . TRANSCIVER UNIT (B version) (SEE SECTION 2,PL2)..... | | | | | | | 1 | |
| A2 | 15028184 | . BATTERY UNIT (SEE SECTION 3,PL1)..... | | | | | | | 1 | |
| A3 | 15028184 | . BATTERY UNIT..... | | | | | | | 1 | |
| A4 | 15028222 | . REMOTE CONTROL UNIT (A version) (SEE SECTION 4,PL1)..... | | | | | | | 1 | |
| A4 | 15029935 | . REMOTE CONTROL UNIT (B version) (SEE SECTION 4,PL2)..... | | | | | | | 1 | |
| A5 | 15028225 | . KNEE OPERATED KEYS..... | | | | | | | 1 | |
| A6 | 15029419 | . ANTENNA, OPEN-WIRE..... | | | | | | | 1 | |
| A7 | 15446624 | . CABLE, BATTERY CHARGING..... | | | | | | | 1 | |
| XXX1 | 15169278 | . ANTENNA, WHIP-TYPE..... | | | | | | | 1 | |
| A8 | | . HANDSET, TELEPHONE..... | | | | | | | 1 | |
| A9 | | . HEADSET..... | | | | | | | 1 | |
| A10 | | . HARNESS..... | | | | | | | 1 | |



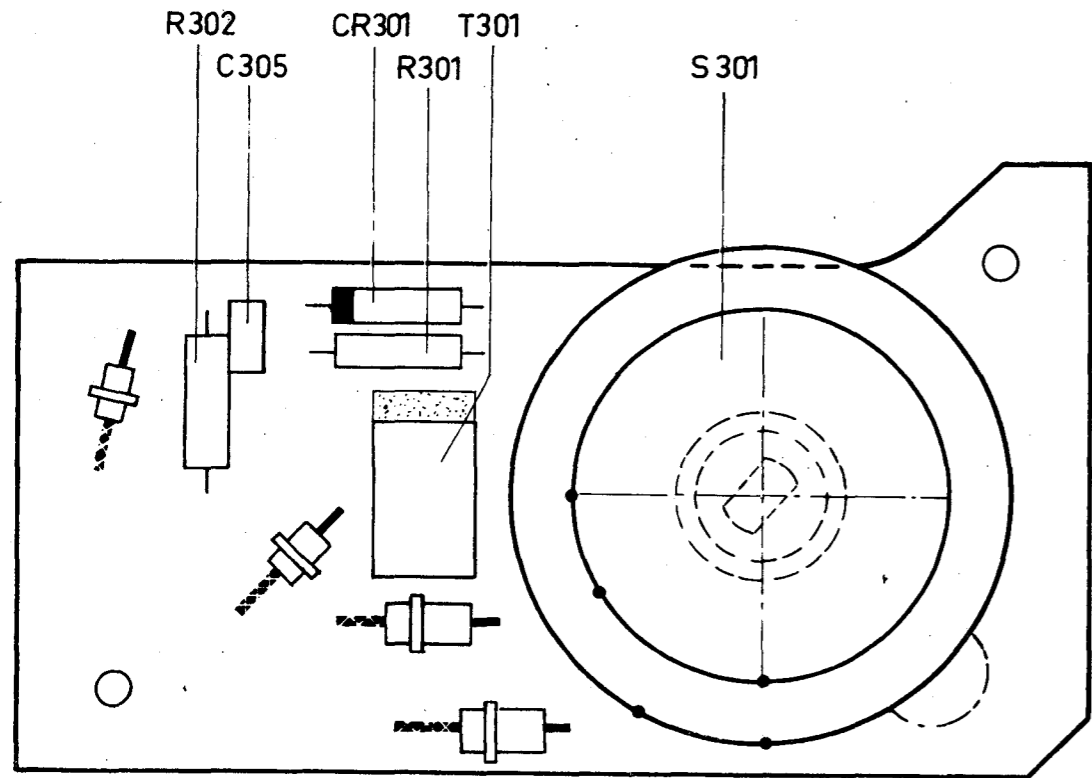
PL.1. TRANCEIVER UNIT

| INDEX | MANUFACTURER'S PART NUMBER | DESCRIPTION | | | | | | QTY | AP |
|-------|-------------------------------|--|---|---|---|---|---|-----|----|
| | | 1 | 2 | 3 | 4 | 5 | 6 | | |
| A1 | 15028182 | TRANSCEIVER (SEE SECTION 01, PLATE 01) (A version)..... | | | | | | FM | |
| A1 | 15029934 | TRANSCEIVER (SEE SECTION 01, PLATE 01) (B version)..... | | | | | | FM | |
| A11 | 15028183 | . ANTENNA TUNING UNIT (SEE SECTION 2-1, PL1) | | | | | | 1 | |
| A12 | 15028185 | . CHASSIS ASSEMBLY (SEE SECTION 2-2, PL1)... | | | | | | 1 | |
| A13 | 15028190 | . CONVERTER (SEE SECTION 2-3, PL1)..... | | | | | | 1 | |
| A14 | 15028191 | . HF HEAD (A version) (SEE SECTION 2-4, PL1) | | | | | | 1 | |
| A14 | 15029936 | . HF HEAD (B version) (SEE SECTION 2-4, PL1) | | | | | | 1 | |
| A15 | 15028196 | . PC BOARD ASSEMBLY (FREQUENCY SELECTOR) (SEE SECTION 2-5, PL1)..... | | | | | | 1 | |
| A16 | 15028197 | . PC BOARD ASSEMBLY (SYNTHESIZER BOARD N°1) (A version) (SEE SECTION 2-6, PL1)..... | | | | | | 1 | |
| A16 | 15030110 | . PC BOARD ASSEMBLY (SYNTHESIZER BOARD N°1) (B version) (SEE SECTION 2-6, PL2)..... | | | | | | 1 | |
| A17 | 15028200 | . PC BOARD ASSEMBLY (SYNTHESIZER BOARD N°2) (SEE SECTION 2-7, PL1)..... | | | | | | 1 | |
| A18 | 15028205 | . PC BOARD ASSEMBLY (SYNTHESIZER BOARD N°3) (SEE SECTION 2-8, PL1)..... | | | | | | 1 | |
| A19 | 15028212 | . PC BOARD ASSEMBLY (2-5 MHz IF FILTER CIRCUITS) (SEE SECTION 2-9, PL1)..... | | | | | | 1 | |
| A20 | 15028213 | . PC BOARD ASSEMBLY (AF CIRCUIT) (A version) (SEE SECTION 2-10, PL1)..... | | | | | | 1 | |
| A20 | 15029937 | . PC BOARD ASSEMBLY (AF CIRCUIT) (B version) (SEE SECTION 2-10, PL2)..... | | | | | | 1 | |
| A21 | 15028214 | . PC BOARD ASSEMBLY (DRIVER) (SEE SECTION 2-11, PL1)..... | | | | | | 1 | |
| A22 | 15028215 | . PC BOARD ASSEMBLY (PERIPHERAL CIRCUITS) (SEE SECTION 2-12, PL1)..... | | | | | | 1 | |
| A23 | 15028217 | . AMPLIFIER, 20 W..... | | | | | | 1 | |
| A24 | 15447562 | . STRIP..... | | | | | | 1 | |
| A25 | 15622390 | . FERRULE..... | | | | | | 1 | |
| XXX1 | 520301-00-24 | . WASHER, SPRING (F0349)..... | | | | | | 2 | |
| XXX2 | E27311H30Q6CCU | . SCREW (F0110)..... | | | | | | 2 | |
| XXX3 | 520301-00-24 | . WASHER, SPRING (F0349)..... | | | | | | 2 | |
| XXX4 | E27311H30Q8CCU | . SCREW (F0110)..... | | | | | | 2 | |
| XXX5 | 520301-00-24 | . WASHER, SPRING (F0349)..... | | | | | | 2 | |
| XXX6 | E27311H30Q10CCU | . SCREW (F0110)..... | | | | | | 2 | |
| XXX7 | E27112A25Q6CCU | . SCREW (F0110)..... | | | | | | 3 | |
| XXX8 | 520251-00-24 | . WASHER, SPRING (F0349)..... | | | | | | 3 | |
| XXX9 | E27113B25Q8CCU | . SCREW (F0110)..... | | | | | | 1 | |

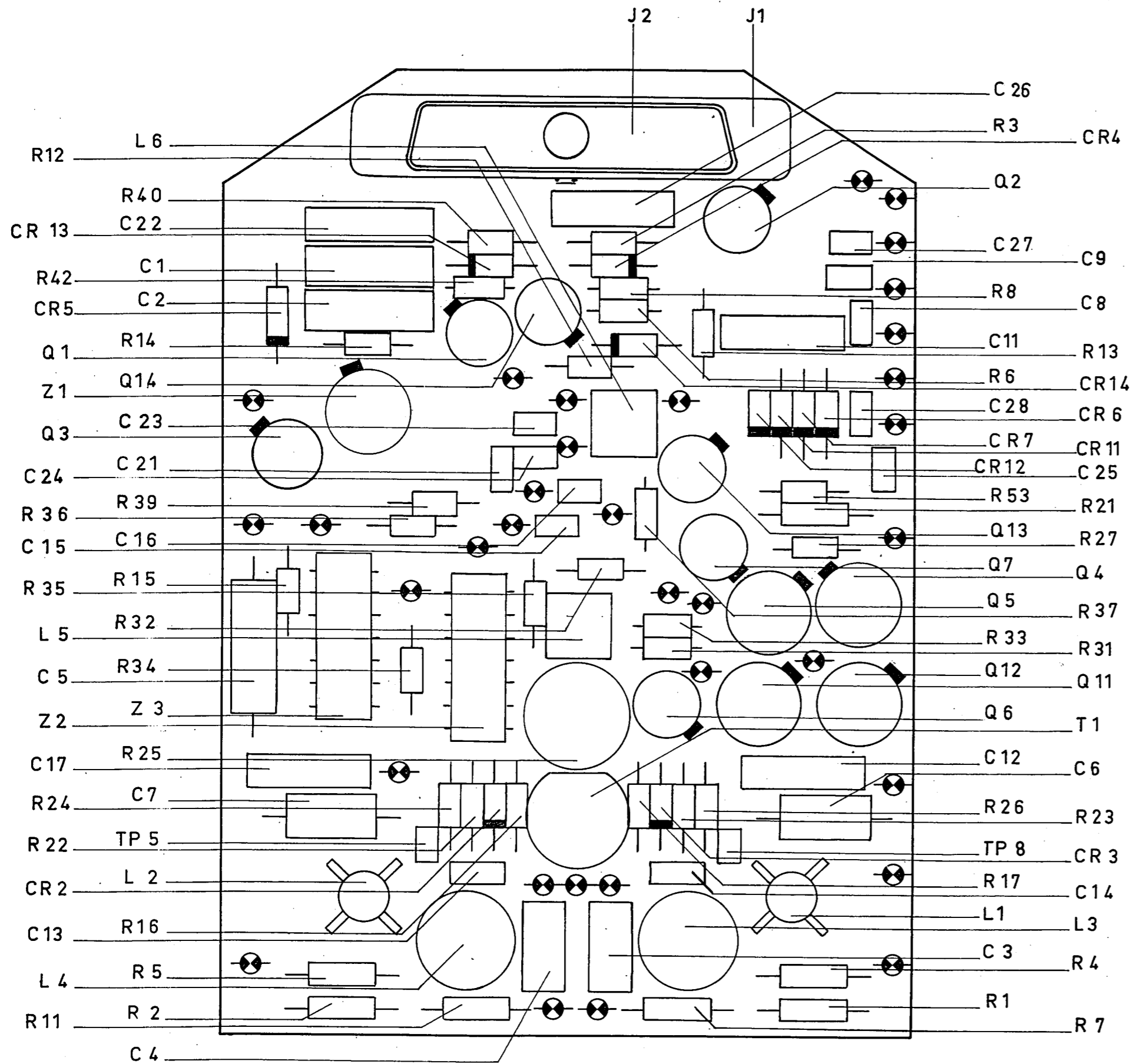


PL.1 . ANTENNA TUNING UNIT

| DRAWING ITEM | MANUFACTURER'S PART NUMBER | DESCRIPTION | | | | | | | Qty | Proc. |
|-----------------|-------------------------------|---|---|---|---|---|---|---|-----|-------|
| | | 1 | 2 | 3 | 4 | 5 | 6 | 7 | | |
| A11 | 15028183 | ANTENNA TUNING UNIT (SEE PART 2, SECTION 02, PLATE 01) | | | | | | | FM | |
| A26 | 15158986 | . SCREW ASSEMBLY | | | | | | | 4 | |
| XXX19 | 44-12X2-62FN40 | . GASKET (F0235) | | | | | | | 1 | |
| A27 | 15159052 | . CAP, PROTECTIVE | | | | | | | 1 | |
| XXX15 | 10-5X2FN40 | . GASKET (F0235) | | | | | | | 1 | |
| A28 | 15447317 | . CAP, PROTECTIVE | | | | | | | 1 | |
| A29 | 15160355 | . TERMINAL, ANTENNA | | | | | | | 1 | |
| XXX51 | 15159829 | . SCREW, SOCKET HEAD | | | | | | | 1 | |
| XXX3 | 15166353 | . WASHER | | | | | | | 1 | |
| A30 | 15160358 | . NUT ASSEMBLY | | | | | | | 1 | |
| A31 | 15159835 | . WASHER, FLANGED | | | | | | | 1 | |
| XXX1 | 20X2FN40 | . GASKET (F0235) | | | | | | | 1 | |
| XXX4 | 4-9X1-9FN40 | . GASKET (F0235) | | | | | | | 1 | |
| A32 | 15446872 | . KNOB, CONTROL | | | | | | | 1 | |
| A33 | 15161071 | . SCREW | | | | | | | 1 | |
| A34 | 15162242 | . COVER | | | | | | | 1 | |
| A35 | 15704695 | . HOUSING | | | | | | | 1 | |
| A36 | 15161067 | . SCREW, SOCKET HEAD (F0110) | | | | | | | 2 | |
| A37 | 15161068 | . SCREW, SOCKET HEAD (F0110) | | | | | | | 4 | |
| A38 | 15161072 | . WASHER, FLAT (F0110) | | | | | | | 6 | |
| XXX30 | 15447064 | . GASKET (F0235) | | | | | | | 1 | |
| A39 | 15159928 | . COUPLER, DIRECTIONAL | | | | | | | 1 | |
| A40 | 15161503 | . PC BOARD ASSEMBLY (SELECTOR) | | | | | | | 1 | |
| A41 | 15447470 | . PC BOARD ASSEMBLY (FEEDBACK LOOP) | | | | | | | 1 | |
| A42 | 15159825 | . PLATE, ELECTRONIC COMPONENT MOUNTING | | | | | | | 1 | |
| C201 | CE22-3C12UG | . CAPACITOR, FIXED, CERAMIC (F0115) 12PF±2% 500V | | | | | | | 1 | |
| C202 | MUJ313-3-137UF | . CAPACITOR, FIXED, MICA (F0350) 137PF±1% 500V | | | | | | | 1 | |
| C203 | MUJ313-3-120UG | . CAPACITOR, FIXED, MICA (F0350) 120PF±2% 500V | | | | | | | 1 | |
| C204 | CE27-3C31U6G | . CAPACITOR, FIXED, CERAMIC (F0115) 31.6PF±2% 500V | | | | | | | 1 | |
| C205 | MUJ213-2-56U2G | . CAPACITOR, FIXED, MICA (F0350) 56PF±2% 500V | | | | | | | 1 | |
| C304 | VY81C270J | . CAPACITOR, FIXED, CERAMIC (95275) | | | | | | | 1 | |
| C306 | CE22-3C22UG | . CAPACITOR, FIXED, CERAMIC (F0115) 22PF±2% 500V | | | | | | | 1 | |
| J302 | UG657U | . CONNECTOR, ELECTRICAL, RECEPTACLE (F0503) UG657U | | | | | | | 1 | |
| L201 | 15066400 | . REACTOR | | | | | | | 1 | |
| L202 | 15446955 | . REACTOR | | | | | | | 1 | |
| L203 | 15446937 | . REACTOR | | | | | | | 1 | |



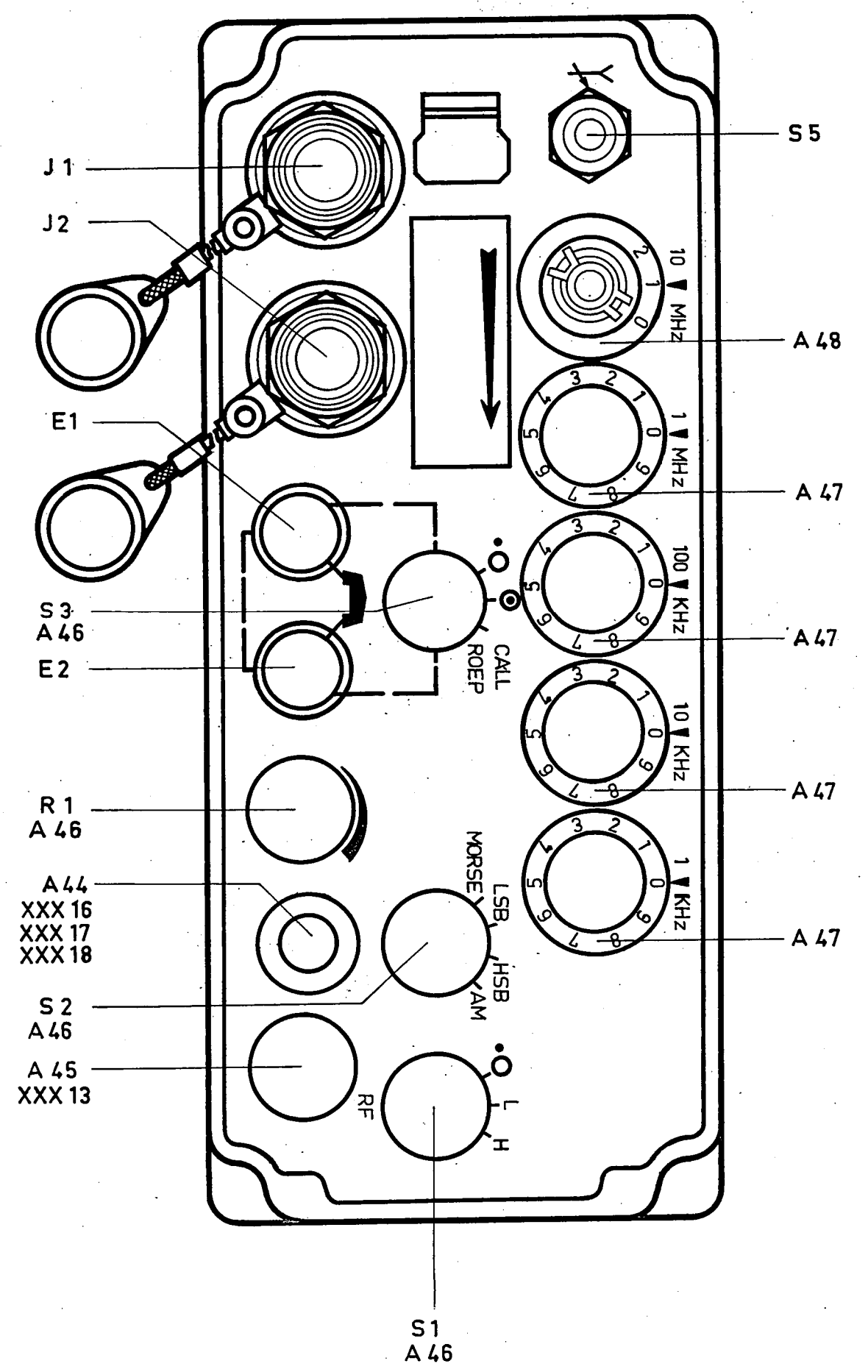
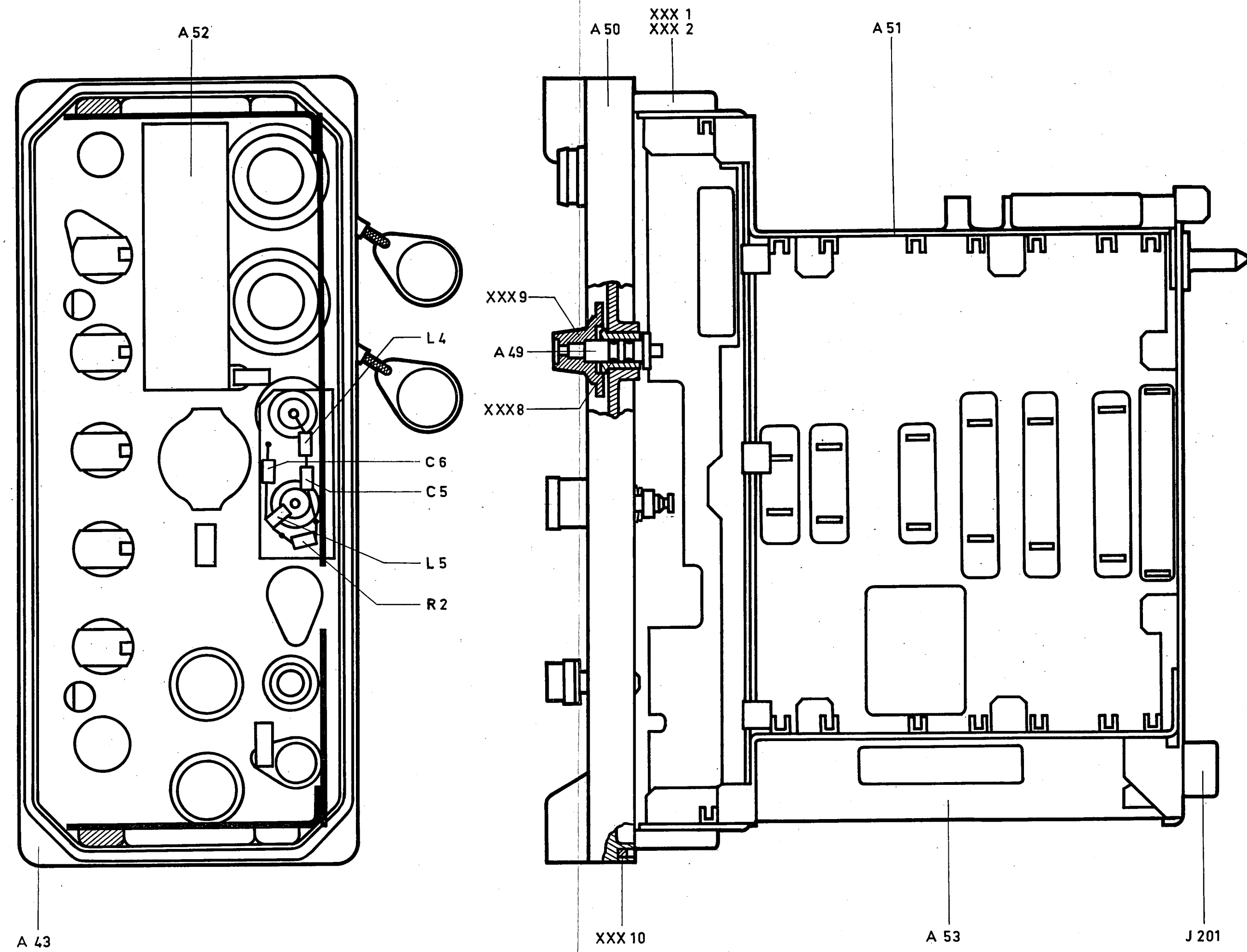
PL.1. SELECTOR PC BOARD ASSEMBLY



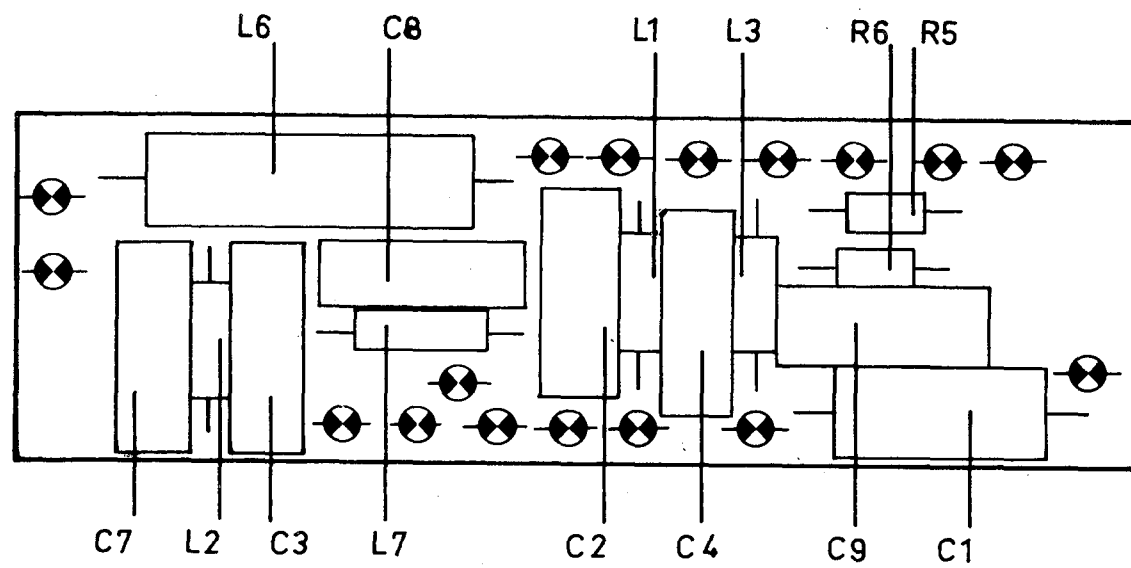
PL.1 . FEEDBACK LOOP PC BOARD ASSEMBLY

| DRAWING ITEM | MANUFACTURER'S PART NUMBER | DESCRIPTION | 1 2 3 4 5 6 7 | | | | | | | Qty | Proc. |
|-----------------|-------------------------------|--|---------------|--|--|--|--|--|--|-----|-------|
| | | | | | | | | | | | |
| A41 | 15447470 | PC BOARD ASSEMBLY (FEEDBACK LOOP) (SEE PART 2, SECTION 2.1, PLATE 01) | | | | | | | | FM | |
| C1 | IPD213-100KK | . CAPACITOR, FIXED, PLASTIC (F0350) 0.1MF±10% 63V | | | | | | | | 1 | |
| C2 | IPD213-47KK | . CAPACITOR, FIXED, PLASTIC (F0350) 0.047MF±10% 63V | | | | | | | | 1 | |
| C3 | CE22-3C18U7G | . CAPACITOR, FIXED, CERAMIC (F0115) 18.7PF±2% 500V | | | | | | | | 1 | |
| C4 | MUD210-95U3G | . CAPACITOR, FIXED, MICA (F0350) 95.3PF±2% 63V | | | | | | | | 1 | |
| C5 | CTS13P20V15MM | . CAPACITOR, FIXED, ELECTROLYTIC (F0115) 15MF±20% 20V | | | | | | | | 1 | |
| C6 | KM311-400V1K47G | . CAPACITOR, FIXED, PAPER (F1379) 1470PF±2% 400V | | | | | | | | 1 | |
| C7 | KM311-250V6K19G | . CAPACITOR, FIXED, PAPER (F1379) 6190PF±2% 250V | | | | | | | | 1 | |
| C8 | CN31-5-10KM | . CAPACITOR, FIXED, CERAMIC (F0115) 0.01MF±20% 100V | | | | | | | | 1 | |
| C9 | CN31-5-10KM | . CAPACITOR, FIXED, CERAMIC (F0115) 0.01MF±10% 63V | | | | | | | | 1 | |
| C11 | IPD213-100KK | . CAPACITOR, FIXED, PLASTIC (F0350) 0.1MF±10% 63V | | | | | | | | 1 | |
| C12 | IPD213-100KK | . CAPACITOR, FIXED, PLASTIC (F0350) 0.1MF±10% 63V | | | | | | | | 1 | |
| C13 | CN31-5-4K7M | . CAPACITOR, FIXED, CERAMIC (F0115) 4700PF±20% 100V | | | | | | | | 1 | |
| C14 | CN31-5-4K7M | . CAPACITOR, FIXED, CERAMIC (F0115) 4700PF±20% 100V | | | | | | | | 1 | |
| C15 | CN31-5-10KM | . CAPACITOR, FIXED, CERAMIC (F0115) 0.01MF±20% 100V | | | | | | | | 1 | |
| C16 | CN31-5-10KM | . CAPACITOR, FIXED, CERAMIC (F0115) 0.01MF±20% 100V | | | | | | | | 1 | |
| C17 | IPD213-100KK | . CAPACITOR, FIXED, PLASTIC (F0350) 0.1MF±10% 63V | | | | | | | | 1 | |
| C21 | CN31-5-10KM | . CAPACITOR, FIXED, CERAMIC (F0115) 0.01MF±20% 100V | | | | | | | | 1 | |
| C22 | IPD213-100KK | . CAPACITOR, FIXED, PLASTIC (F0350) 0.1MF±10% 63V | | | | | | | | 1 | |
| C23 | CN31-5-10KM | . CAPACITOR, FIXED, CERAMIC (F0115) 0.01MF±20% 100V | | | | | | | | 1 | |
| C24 | CN31-5-10KM | . CAPACITOR, FIXED, CERAMIC (F0115) 0.01MF±20% 100V | | | | | | | | 1 | |
| C25 | CN31-5-10KM | . CAPACITOR, FIXED, CERAMIC (F0115) 0.01MF±20% 100V | | | | | | | | 1 | |
| C26 | IPD213-100KK | . CAPACITOR, FIXED, PLASTIC (F0350) 0.1MF±10% 63V | | | | | | | | 1 | |
| C27 | CN31-5-10KM | . CAPACITOR, FIXED, CERAMIC (F0115) 0.01MF±20% 100V | | | | | | | | 1 | |
| C28 | CN31-5-10KM | . CAPACITOR, FIXED, CERAMIC (F0115) 0.01MF±20% 100V | | | | | | | | 1 | |
| CR2 | SFD105 | . DIODE, SEMI-CONDUCTOR (F4601) SFD105 | | | | | | | | 1 | |
| CR3 | SFD105 | . DIODE, SEMI-CONDUCTOR (F4601) SFD105 | | | | | | | | 1 | |
| CR4 | SFD105 | . DIODE, SEMI-CONDUCTOR (F4601) SFD105 | | | | | | | | 1 | |
| CR5 | 1N708A | . DIODE, SEMI-CONDUCTOR (F4759) 1N708A | | | | | | | | 1 | |
| CR6 | 1N4148 | . DIODE, SEMI-CONDUCTOR (F0115) 1N4148 | | | | | | | | 1 | |
| CR7 | 1N4148 | . DIODE, SEMI-CONDUCTOR (F0115) 1N4148 | | | | | | | | 1 | |
| CR11 | 1N4148 | . DIODE, SEMI-CONDUCTOR (F0115) 1N4148 | | | | | | | | 1 | |
| CR12 | 1N4148 | . DIODE, SEMI-CONDUCTOR (F0115) 1N4148 | | | | | | | | 1 | |
| CR13 | 1N4148 | . DIODE, SEMI-CONDUCTOR (F0115) 1N4148 | | | | | | | | 1 | |
| CR14 | BZX46C13 | . DIODE, SEMI-CONDUCTOR (F0115) BZX46C13 | | | | | | | | 1 | |
| J1 | DBM21W1P179A | . CONNECTOR, ELECTRICAL, RECEPTACLE (F3132) | | | | | | | | 1 | |
| J2 | DM53741-5001 | . JACK, ELECTRICAL (F3132) | | | | | | | | 1 | |
| L1 | 15446918 | . REACTOR | | | | | | | | 1 | |
| L2 | 15446919 | . REACTOR | | | | | | | | 1 | |
| L3 | 15446920 | . REACTOR | | | | | | | | 1 | |
| L4 | 15446921 | . REACTOR | | | | | | | | 1 | |
| L5 | 15446922 | . REACTOR | | | | | | | | 1 | |
| L6 | 15446922 | . REACTOR | | | | | | | | 1 | |
| Q1 | 2N2907 | . TRANSISTOR (F0114) 2N2907 | | | | | | | | 1 | |
| Q2 | 2N2222 | . TRANSISTOR (F0115) 2N2222 | | | | | | | | 1 | |
| Q3 | 2N2222 | . TRANSISTOR (F0115) 2N2222 | | | | | | | | 1 | |
| Q4 | 2N2905-1 | . TRANSISTOR (F0115) 2N2905-1 | | | | | | | | 1 | |
| Q5 | 2N2905-1 | . TRANSISTOR (F0115) 2N2905-1 | | | | | | | | 1 | |

| DRAWING ITEM | MANUFACTURER'S PART NUMBER | DESCRIPTION | Qty | Proc. | | |
|-----------------|-------------------------------|---|-----|-------|---|---|
| | | | | | 1 | 2 |
| Q6 | 2N2222 | . TRANSISTOR (F0115) 2N2222 | 1 | | | |
| Q7 | 2N2222 | . TRANSISTOR (F0115) 2N2222 | 1 | | | |
| Q11 | 2N2219 | . TRANSISTOR (F0115) 2N2219 | 1 | | | |
| Q12 | 2N2219 | . TRANSISTOR (F0115) 2N2219 | 1 | | | |
| Q13 | 2N2222 | . TRANSISTOR (F0115) 2N2222 | 1 | | | |
| Q14 | 2N2222 | . TRANSISTOR (F0115) 2N2222 | 1 | | | |
| R1 | RS58Y16U5F | . RESISTOR, FIXED, FILM (F0114) 16,5Ω±1% 1/8W | 1 | | | |
| R2 | RS58Y16U5F | . RESISTOR, FIXED, FILM (F0114) 16,5Ω±1% 1/8W | 1 | | | |
| R3 | RC2T4K7J | . RESISTOR, FIXED, FILM (F0114) 4,7KΩ±5% 1/4W | 1 | | | |
| R4 | RS58Y66U5F | . RESISTOR, FIXED, FILM (F0114) 66,5Ω±1% 1/8W | 1 | | | |
| R5 | RS58Y66U5F | . RESISTOR, FIXED, FILM (F0114) 66,5Ω±1% 1/8W | 1 | | | |
| R6 | RC2T12KJ | . RESISTOR, FIXED, FILM (F0114) 12KΩ±5% 1/4W | 1 | | | |
| R7 | RS58Y16U5F | . RESISTOR, FIXED, FILM (F0114) 16,5Ω±1% 1/8W | 1 | | | |
| R8 | RC2T4K7J | . RESISTOR, FIXED, FILM (F0114) 4,7KΩ±5% 1/4W | 1 | | | |
| R11 | RS58Y16U5F | . RESISTOR, FIXED, FILM (F0114) 16,5Ω±1% 1/8W | 1 | | | |
| R12 | RC2T2K7J | . RESISTOR, FIXED, FILM (F0114) 2,7KΩ±5% 1/4W | 1 | | | |
| R13 | RC2T2K7J | . RESISTOR, FIXED, FILM (F0114) 2,7KΩ±5% 1/4W | 1 | | | |
| R14 | RC2T1KJ | . RESISTOR, FIXED, FILM (F0114) 1KΩ±5% 1/4W | 1 | | | |
| R15 | RC2T1K5J | . RESISTOR, FIXED, FILM (F0114) 1,5KΩ±5% 1/4W | 1 | | | |
| R16 | RC2T100UJ | . RESISTOR, FIXED, FILM (F0114) 100Ω±5% 1/4W | 1 | | | |
| R17 | RC2T100UJ | . RESISTOR, FIXED, FILM (F0114) 100Ω±5% 1/4W | 1 | | | |
| R21 | RBX003-2U2K | . RESISTOR, FIXED, FILM (F0350) 2,2Ω±10% 1/2W | 1 | | | |
| R22 | RC2T1K5J | . RESISTOR, FIXED, FILM (F0114) 1,5KΩ±5% 1/4W | 1 | | | |
| R23 | RC2T1K5J | . RESISTOR, FIXED, FILM (F0114) 1,5KΩ±5% 1/4W | 1 | | | |
| R24 | RC2T680UJ | . RESISTOR, FIXED, FILM (F0114) 680Ω±5% 1/4W | 1 | | | |
| R25 | MOD100-10000HMPORM5PC | . RESISTOR, VARIABLE (75042). 1KΩ±5% | 1 | | | |
| R26 | RC2T680UJ | . RESISTOR, FIXED, FILM (F0114) 680Ω±5% 1/4W | 1 | | | |
| R27 | RC2T1KJ | . RESISTOR, FIXED, FILM (F0114) 1KΩ±5% 1/4W | 1 | | | |
| R31 | RC2T1KJ | . RESISTOR, FIXED, FILM (F0114) 1KΩ±5% 1/4W | 1 | | | |
| R32 | RC2T560UJ | . RESISTOR, FIXED, FILM (F0114) 560Ω±5% 1/4W | 1 | | | |
| R33 | RC2T560UJ | . RESISTOR, FIXED, FILM (F0114) 560Ω±5% 1/4W | 1 | | | |
| R34 | RC2T820UJ | . RESISTOR, FIXED, FILM (F0114) 820Ω±5% 1/4W | 1 | | | |
| R35 | RC2T1KJ | . RESISTOR, FIXED, FILM (F0114) 1KΩ±5% 1/4W | 1 | | | |
| R36 | RC2T1KJ | . RESISTOR, FIXED, FILM (F0114) 1KΩ±5% 1/4W | 1 | | | |
| R37 | RC2T1K5J | . RESISTOR, FIXED, FILM (F0114) 1,5KΩ±5% 1/4W | 1 | | | |
| R39 | RC2T120KJ | . RESISTOR, FIXED, FILM (F0114) 120KΩ±5% 1/4W | 1 | | | |
| R40 | RC2T10UJ | . RESISTOR, FIXED, FILM (F0114) 10Ω±5% 1/4W | 1 | | | |
| R42 | RC2T220UJ | . RESISTOR, FIXED, FILM (F0114) 220Ω±5% 1/4W | 1 | | | |
| R53 | RC2T1KJ | . RESISTOR, FIXED, FILM (F0114) 1KΩ±5% 1/4W | 1 | | | |
| T1 | 15446933 | . TRANSFORMER, INSULATION | 1 | | | |
| Z1 | MA711 | . MICROSTRUCTURE, LINEAR (F3223)MA711 | 1 | | | |
| Z2 | SN8400N | . MICROSTRUCTURE, LOGIC (F2210) SN8400N | 1 | | | |
| Z3 | SN8474N | . MICROSTRUCTURE, LOGIC (F2210) SN8474N | 1 | | | |
| TP5 | 8313A | . CONNECTOR, DUMMY (F0318) | 1 | | | |
| TP8 | 8313A | . CONNECTOR, DUMMY (F0318) | 1 | | | |

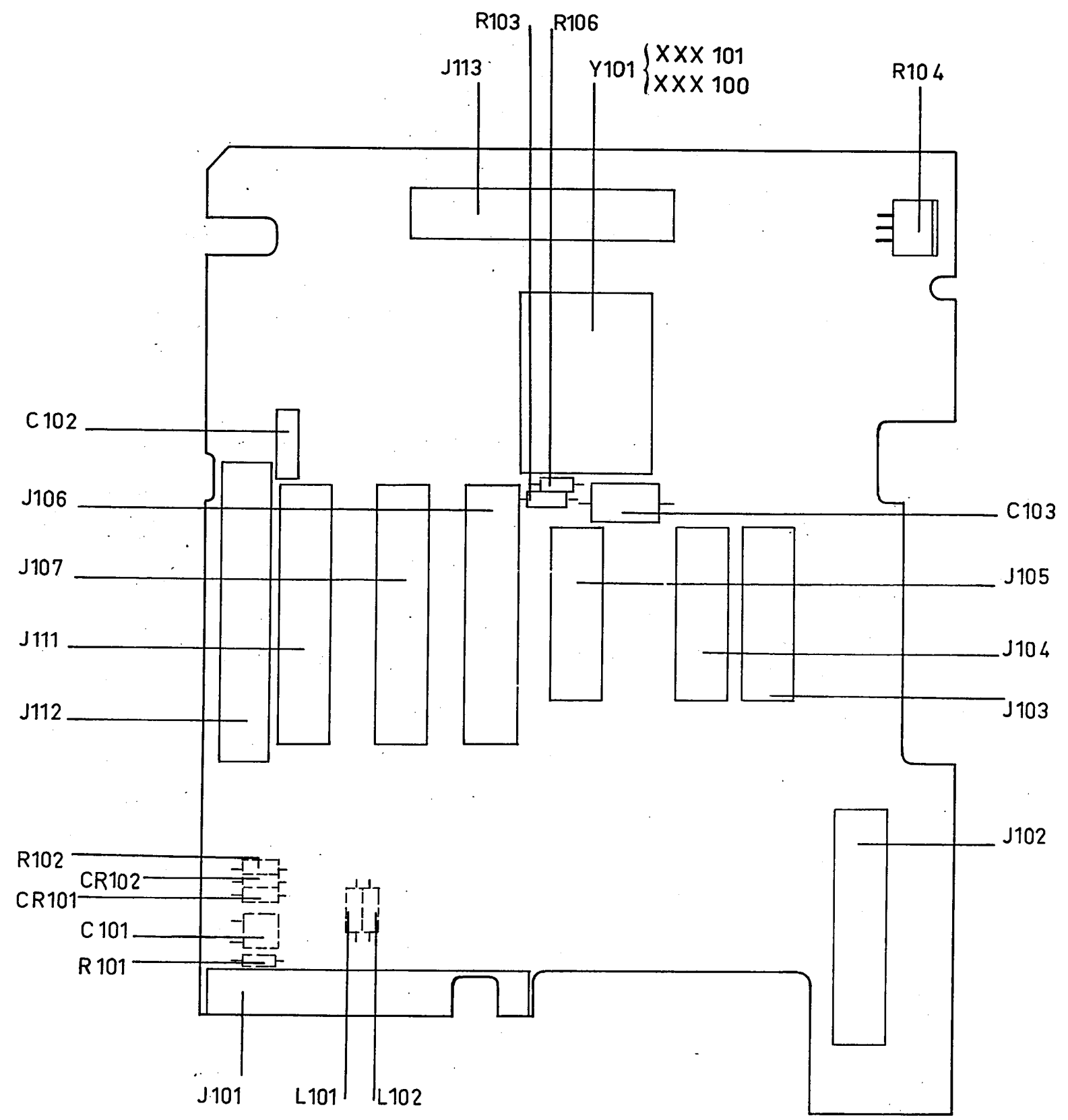


PL.1.CHASSIS ASSEMBLY



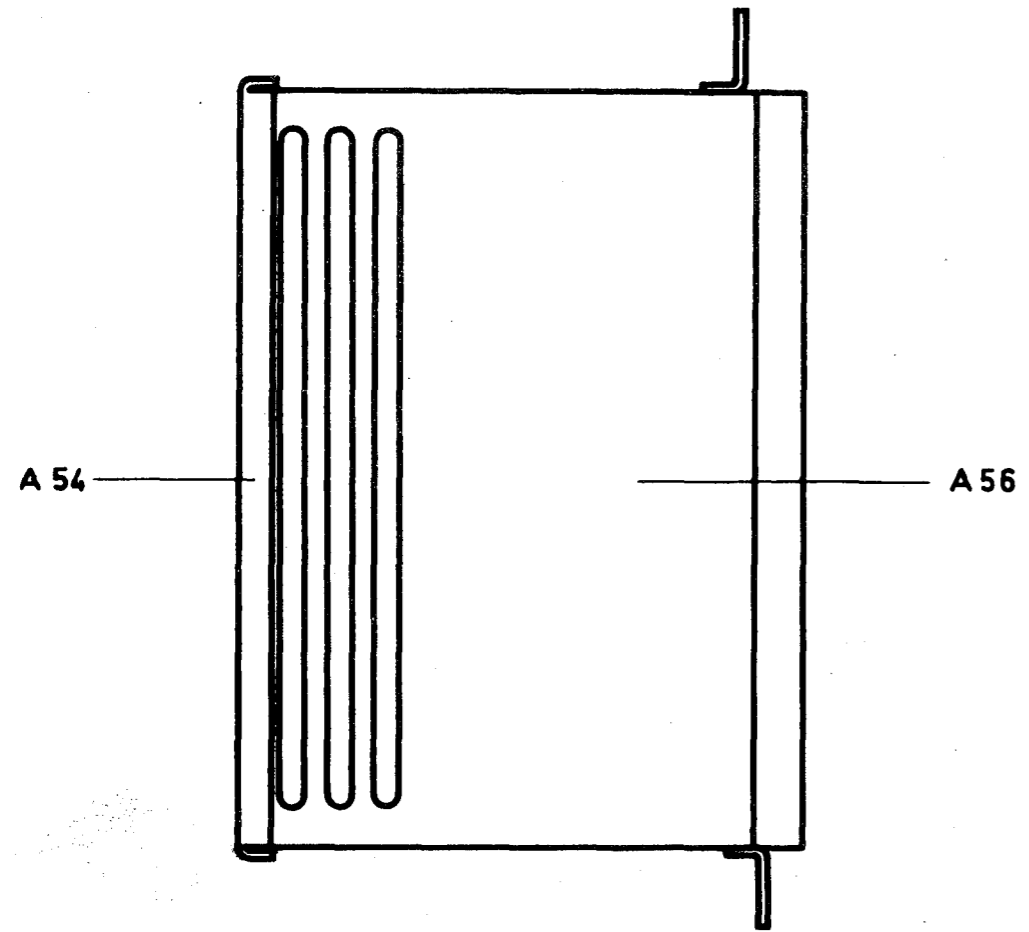
PL.1. FRONT PANNEL PC BOARD ASSEMBLY

| DRAWING ITEM | MANUFACTURER'S PART NUMBER | DESCRIPTION | 1 2 3 4 5 6 7 | | Qty | Proc. |
|-----------------|-------------------------------|---|---------------|--|-----|-------|
| | | | | | | |
| A52 | 15447472 | PC BOARD ASSEMBLY (FRONT PANEL) (SEE PART 2, SECTION 2.2, PLATE 01). | | | | FM |
| C1 | CTS13-25V10MM | . CAPACITOR, FIXED, ELECTRO 10MF±20% 25V | | | | 1 |
| C2 | IPD213-100KK | . CAPACITOR, FIXED, PLASTIC (F0350) 0,1MF±10% 63V | | | | 1 |
| C3 | IPD213-100KK | . CAPACITOR, FIXED, PLASTIC (F0350) 0,1MF±10% 63V | | | | 1 |
| C4 | IPD213-100KK | . CAPACITOR, FIXED, PLASTIC (F0350) 0,1MF±10% 63V | | | | 1 |
| C7 | IPD213-100KK | . CAPACITOR, FIXED, PLASTIC (F0350) 0,1MF±10% 63V | | | | 1 |
| C8 | IPD213-100KK | . CAPACITOR, FIXED, PLASTIC (F0350) 0,1MF±10% 63V | | | | 1 |
| C9 | IPD213-100KK | . CAPACITOR, FIXED, PLASTIC (F0350) 0,1MF±10% 63V | | | | 1 |
| L1 | 53862 | . REACTOR (F6205) 47μH±10% | | | | 1 |
| L2 | 53862 | . REACTOR (F6205) 47μH±10% | | | | 1 |
| L3 | 53862 | . REACTOR (F6205) 47μH±10% | | | | 1 |
| L6 | 55054 | . REACTOR (F6205) 22μH±10% | | | | 1 |
| L7 | 53834 | . REACTOR (F6205) 3,3μH±10% | | | | 1 |
| R5 | RC2T56KJ | . RESISTOR, FIXED, FILM (F0114) 56KΩ±5% 1/4W | | | | 1 |
| R6 | RC2T330UJ | . RESISTOR, FIXED, FILM (F0114) 330Ω±5% 1/4W | | | | 1 |

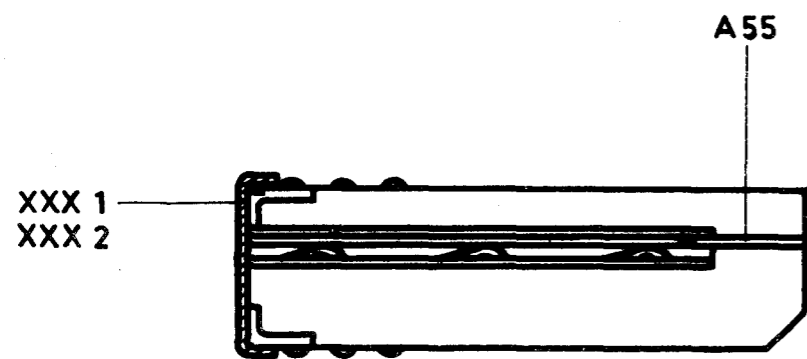


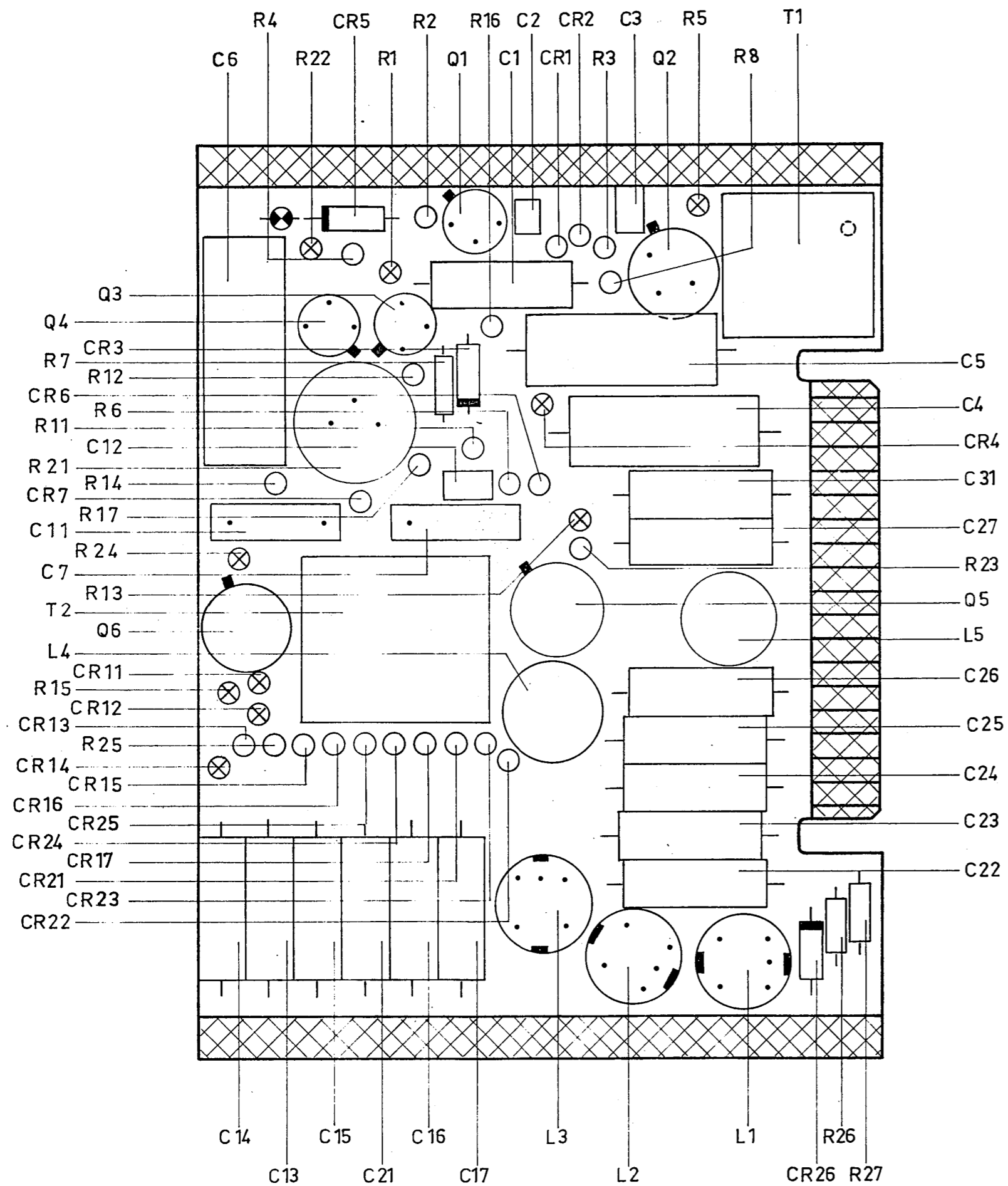
PL.1. INTERCONNECTION PC BOARD ASSEMBLY

| DRAWING ITEM | MANUFACTURER'S PART NUMBER | DESCRIPTION | Qty | Proc. |
|-----------------|-------------------------------|---|-----|-------|
| | | | | |
| A53 | 15447473 | PC BOARD ASSEMBLY (INTERCONNECTIONS) (SEE PART 2, SECTION 2.2, PLATE 01) | FM | |
| C101 | UAZ905-47KM | . CAPACITOR, FIXED, CERAMIC (F0350) 0.047MF±20% 63V | 1 | |
| C102 | IPD213-22KK | . CAPACITOR, FIXED, PLASTIC (F0350) 0.022MF±10% 63V | 1 | |
| C103 | C021-16V15MFK | . CAPACITOR, FIXED, ELECTRO (F0115) 15MF+50-10 16V | 1 | |
| CR101 | 1N4148 | . DIODE, SEMI-CONDUCTOR (F0115) .1N4148 | 1 | |
| CR102 | 1N4148 | . DIODE, SEMI-CONDUCTOR (F0115) 1N4148 | 1 | |
| J101 | 15159077 | . CONNECTOR, ELECTRICAL, PLUG | 1 | |
| J102 | G05D36A2BBAL801818 | . CONNECTOR, ELECTRICAL, RECEPTACLE (F3132) | 1 | |
| J103 | G05D26A2BBAL804810 | . CONNECTOR, ELECTRICAL, RECEPTACLE (F3132) | 1 | |
| J104 | G05D26A2BBAL803811 | . CONNECTOR, ELECTRICAL, RECEPTACLE (F3132) | 1 | |
| J105 | G05D26A2BBAL802812 | . CONNECTOR, ELECTRICAL, RECEPTACLE (F3132) | 1 | |
| J106 | G05D40A2BBAL804817 | . CONNECTOR, ELECTRICAL, RECEPTACLE (F3132) | 1 | |
| J107 | G05D40A2BBAL803818 | . CONNECTOR, ELECTRICAL, RECEPTACLE (F3132) | 1 | |
| J111 | G05D40A2BBAL802819 | . CONNECTOR, ELECTRICAL, RECEPTACLE (F3132) | 1 | |
| J112 | G05D46A2BBAL801823 | . CONNECTOR, ELECTRICAL, RECEPTACLE (F3132) | 1 | |
| J113 | G05D40A2BBAL801820 | . CONNECTOR, ELECTRICAL, RECEPTACLE (F3132) | 1 | |
| L101 | 1025-36 | . REACTOR (99800) 4μH±10% | 1 | |
| L102 | 1025-36 | . REACTOR (99800) 4μH±10% | 1 | |
| R101 | RC2T33KJ | . RESISTOR, FIXED, FILM (F0114) 33KΩ±5% 1/4W. | 1 | |
| R102 | RC2T100KJ | . RESISTOR, FIXED, FILM (F0114) 100KΩ±5% 1/4W | 1 | |
| R103 | RC2T10UJ | . RESISTOR, FIXED, FILM (F0114) 10Ω±5% 1/4W | 1 | |
| R104 | GRV6CA1KM | . RESISTOR, VARIABLE (F0978) 1KΩ±20% 1/2W | 1 | |
| R106 | RC6T51UJ | . RESISTOR, FIXED, FILM (F0114) 51Ω±5% 1/8W | 1 | |
| XXX100 | E27411A20QCCU | . NUT, HEXAGON (F0110) | 2 | |
| XXX101 | 520201-00-24 | . WASHER, SPRING (F0349) | 2 | |
| Y101 | 15066658 | . CRYSTAL (F6205) | 1 | |



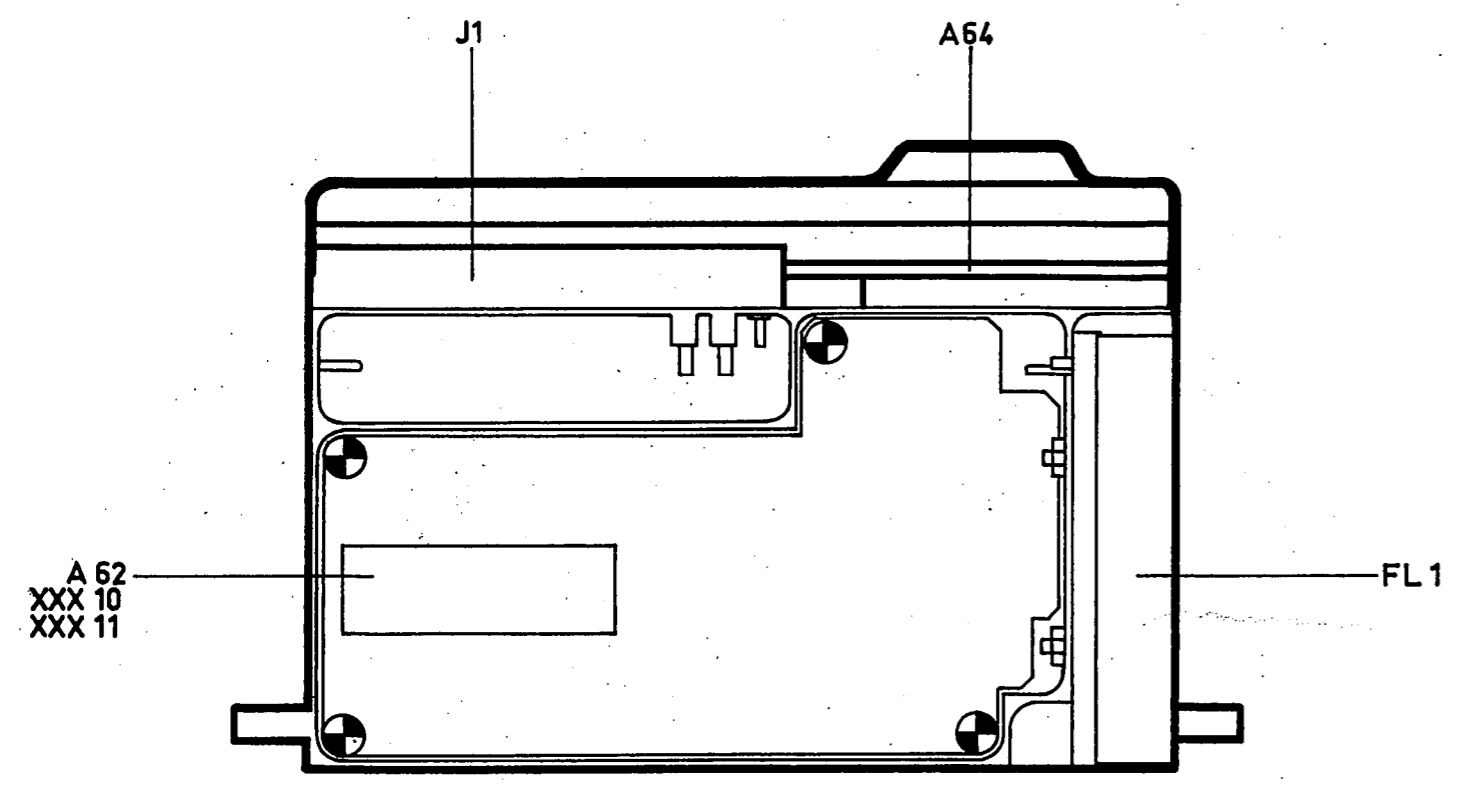
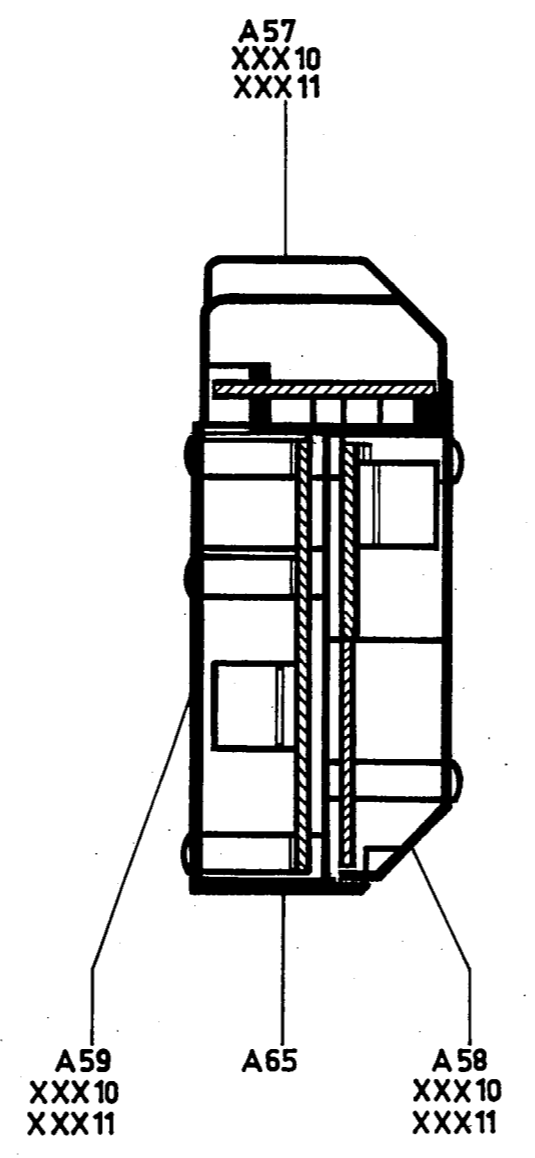
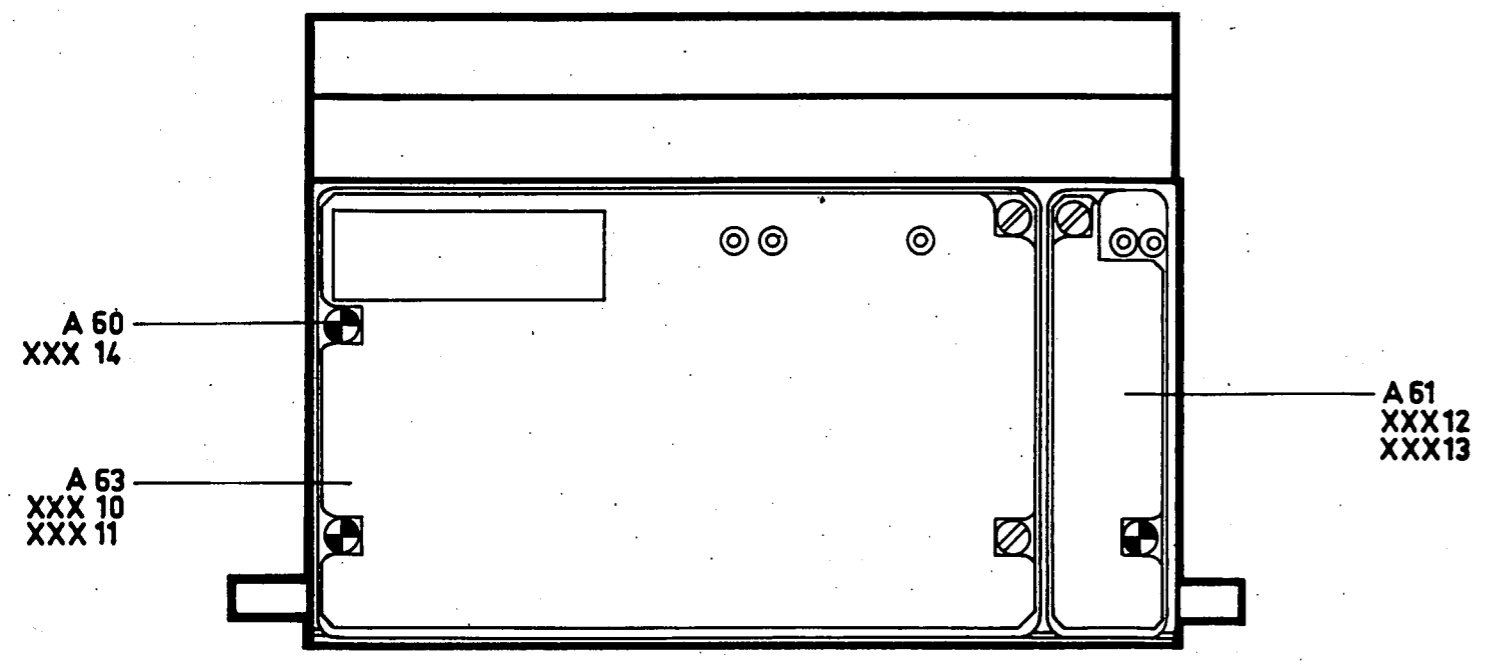
PL. 1 - CONVERTER





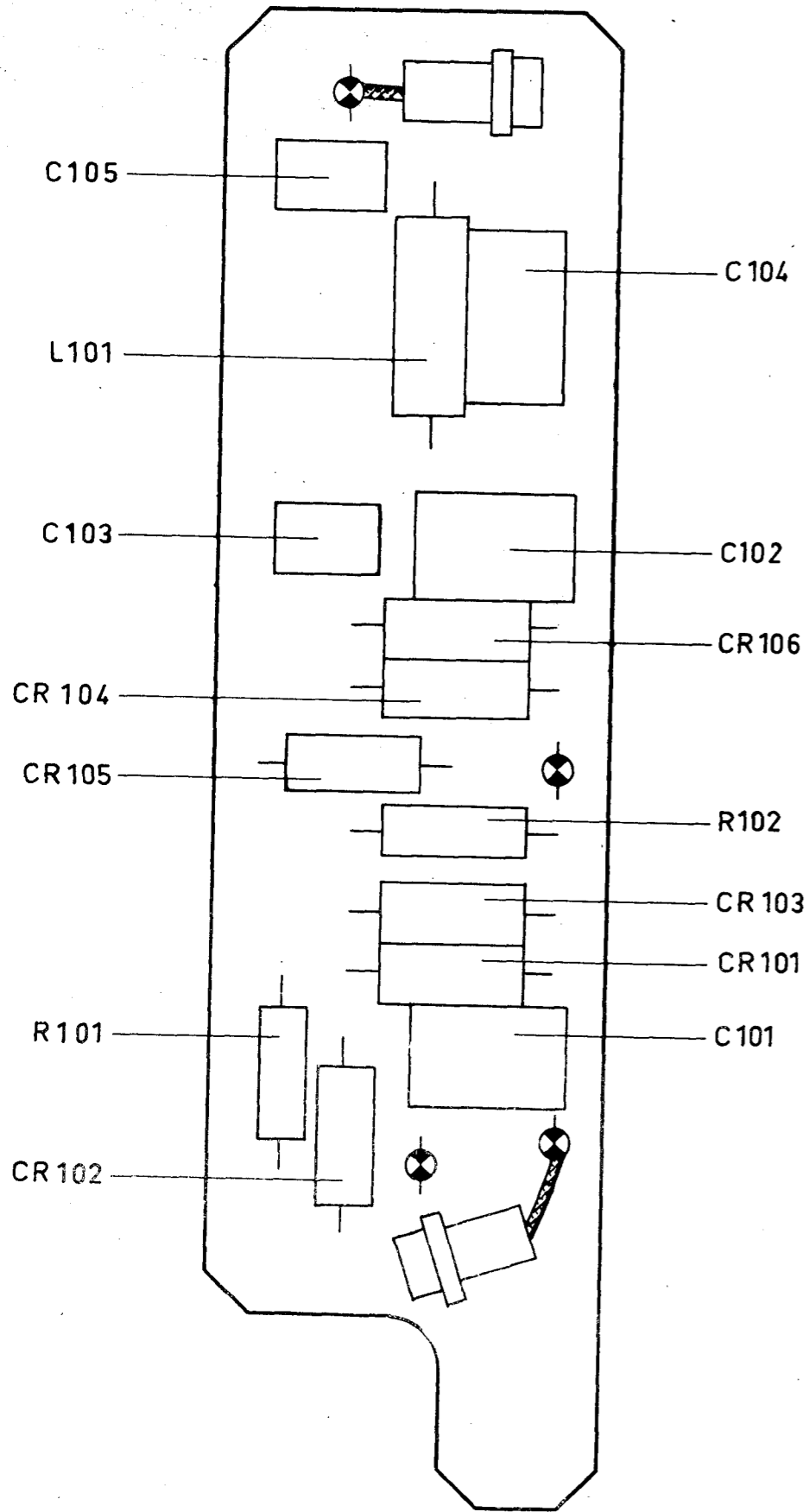
PL.1. CONVERTER PC BOARD ASSEMBLY

| DRAWING ITEM | MANUFACTURER'S PART NUMBER | DESCRIPTION | 1 2 3 4 5 6 7 | | | | | | | Qty | Proc. |
|-----------------|-------------------------------|---|---------------|--|--|--|--|--|--|-----|-------|
| | | | | | | | | | | | |
| A55 | 15447474 | PC BOARD ASSEMBLY (CONVERTER) (SEE PART 2, SECTION 2.3, PLATE 01). | | | | | | | | FM | |
| C1 | CTS13P6V56MM | . CAPACITOR, FIXED, ELECTRO (F0115) 56MF±20% 6V | | | | | | | | 1 | |
| C2 | CN31-5-470UM | . CAPACITOR, FIXED, CERAMIC (F0115) 470PF±20% 100V | | | | | | | | 1 | |
| C3 | CE13-3C220UK | . CAPACITOR, FIXED, CERAMIC (F0115) 220PF±10% 100V | | | | | | | | 1 | |
| C4 | CTS13P35V22MM | . CAPACITOR, FIXED, ELECTRO (F0115) 22MF±20% 40V | | | | | | | | 1 | |
| C5 | CTS13P35V22MM | . CAPACITOR, FIXED, ELECTRO (F0115) 22MF±20% 40V | | | | | | | | 1 | |
| C6 | CTS13P35V47MM | . CAPACITOR, FIXED, ELECTRO (F0115) 47MF±20% 40V | | | | | | | | 1 | |
| C7 | IPF213-22KK | . CAPACITOR, FIXED, PLASTIC (F0350) 0.022MF±10% 160V | | | | | | | | 1 | |
| C11 | IPF213-22KK | . CAPACITOR, FIXED, PLASTIC (F0350) 0.022MF±10% 160V | | | | | | | | 1 | |
| C12 | CE13-3C220UK | . CAPACITOR, FIXED, CERAMIC (F0115) 220PF±10% 100V | | | | | | | | 1 | |
| C13 | CTS13P35V4M7M | . CAPACITOR, FIXED, ELECTRO (F0115) 4.7MF±20% 40V | | | | | | | | 1 | |
| C14 | CTS13P6V56MM | . CAPACITOR, FIXED, ELECTRO (F0115) 56MF±20% 6V | | | | | | | | 1 | |
| C15 | CTS13P6V56MM | . CAPACITOR, FIXED, ELECTRO (F0115) 56MF±20% 6V | | | | | | | | 1 | |
| C16 | CTS13P16V22MM | . CAPACITOR, FIXED, ELECTRO (F0115) 22MF±20% 16V | | | | | | | | 1 | |
| C17 | CTS13P16V22MM | . CAPACITOR, FIXED, ELECTRO (F0115) 22MF±20% 16V | | | | | | | | 1 | |
| C21 | CTS13P16V22MM | . CAPACITOR, FIXED, ELECTRO (F0115) 22MF±20% 16V | | | | | | | | 1 | |
| C22 | CTS13P35V4M7M | . CAPACITOR, FIXED, ELECTRO (F0115) 4.7MF±20% 40V | | | | | | | | 1 | |
| C23 | CTS13P35V4M7M | . CAPACITOR, FIXED, ELECTRO (F0115) 4.7MF±20% 40V | | | | | | | | 1 | |
| C24 | CTS13P6V56MM | . CAPACITOR, FIXED, ELECTRO (F0115) 56MF±20% 6V | | | | | | | | 1 | |
| C25 | CTS13P6V56MM | . CAPACITOR, FIXED, ELECTRO (F0115) 56MF±20% 6V | | | | | | | | 1 | |
| C26 | CTS13P16V22MM | . CAPACITOR, FIXED, ELECTRO (F0115) 22MF±20% 16V | | | | | | | | 1 | |
| C27 | CTS13P16V22MM | . CAPACITOR, FIXED, ELECTRO (F0115) 22MF±20% 16V | | | | | | | | 1 | |
| C31 | CTS13P16V22MM | . CAPACITOR, FIXED, ELECTRO (F0115) 22MF±20% 16V | | | | | | | | 1 | |
| CR1 | SFD129B | . DIODE, SEMI-CONDUCTOR (F4601) SFD129B | | | | | | | | 1 | |
| CR2 | 1N4148 | . DIODE, SEMI-CONDUCTOR (F0115) 1N4148 | | | | | | | | 1 | |
| CR3 | 1N823A | . DIODE, SEMI-CONDUCTOR (F4759) 1N823A | | | | | | | | 1 | |
| CR4 | 1N4150 | . DIODE, SEMI-CONDUCTOR (F0115) 1N4150 | | | | | | | | 1 | |
| CR5 | 1N971B | . DIODE, SEMI-CONDUCTOR (F4601) 1N971B | | | | | | | | 1 | |
| CR6 | 1N4148 | . DIODE, SEMI-CONDUCTOR (F0115) 1N4148 | | | | | | | | 1 | |
| CR7 | 1N4148 | . DIODE, SEMI-CONDUCTOR (F0115) 1N4148 | | | | | | | | 1 | |
| CR11 | 1N4148 | . DIODE, SEMI-CONDUCTOR (F0115) 1N4148 | | | | | | | | 1 | |
| CR12 | 1N4148 | . DIODE, SEMI-CONDUCTOR (F0115) 1N4148 | | | | | | | | 1 | |
| CR13 | SFD129B | . DIODE, SEMI-CONDUCTOR (F4601) SFD129B | | | | | | | | 1 | |
| CR14 | SFD129B | . DIODE, SEMI-CONDUCTOR (F4601) SFD129B | | | | | | | | 1 | |
| CR15 | SFD129B | . DIODE, SEMI-CONDUCTOR (F4601) SFD129B | | | | | | | | 1 | |
| CR16 | SFD129B | . DIODE, SEMI-CONDUCTOR (F4601) SFD129B | | | | | | | | 1 | |
| CR17 | SFD129B | . DIODE, SEMI-CONDUCTOR (F4601) SFD129B | | | | | | | | 1 | |
| CR21 | SFD129B | . DIODE, SEMI-CONDUCTOR (F4601) SFD129B | | | | | | | | 1 | |
| CR22 | SFD129B | . DIODE, SEMI-CONDUCTOR (F4601) SFD129B | | | | | | | | 1 | |
| CR23 | SFD129B | . DIODE, SEMI-CONDUCTOR (F4601) SFD129B | | | | | | | | 1 | |
| CR24 | SFD129B | . DIODE, SEMI-CONDUCTOR (F4601) SFD129B | | | | | | | | 1 | |
| CR25 | SFD129B | . DIODE, SEMI-CONDUCTOR (F4601) SFD129B | | | | | | | | 1 | |
| CR26 | BZX46B22 | . DIODE, SEMI-CONDUCTOR (F4601) BZX46B22 | | | | | | | | 1 | |
| L1 | 15446829 | . REACTOR | | | | | | | | 1 | |
| L2 | 15446829 | . REACTOR | | | | | | | | 1 | |
| L3 | 15446829 | . REACTOR | | | | | | | | 1 | |
| L4 | 15446829 | . REACTOR | | | | | | | | 1 | |
| L5 | 15446829 | . REACTOR | | | | | | | | 1 | |
| Q1 | 2N2907 | . TRANSISTOR (F0115) 2N2907 | | | | | | | | 1 | |



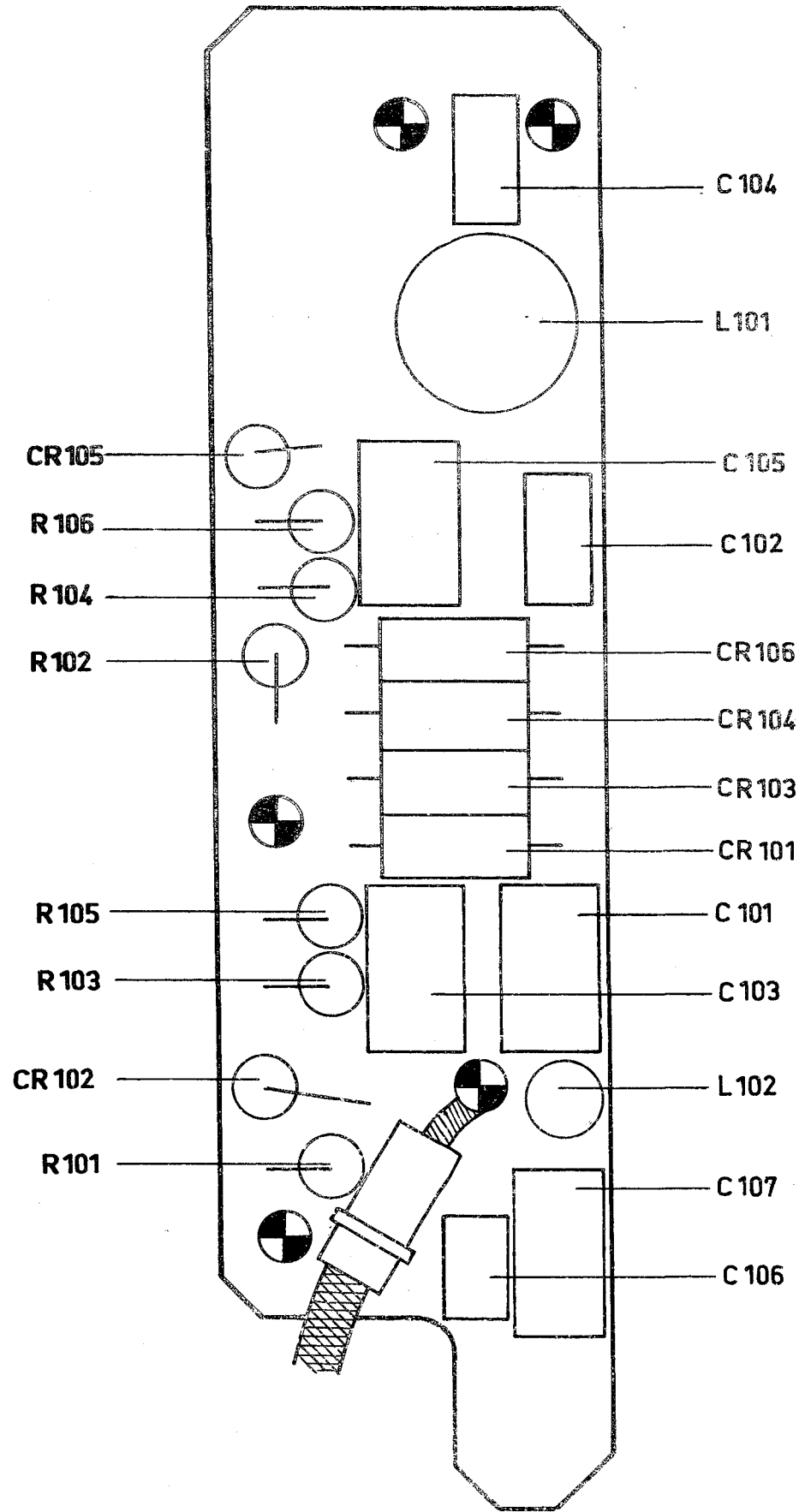
PL.1. HF HEAD

| INDEX | MANUFACTURER'S PART NUMBER | DESCRIPTION | | | | | | | QTY | AP |
|-------|-------------------------------|--|---|---|---|---|---|---|-----|----|
| | | 1 | 2 | 3 | 4 | 5 | 6 | 7 | | |
| A14 | 15028191 | HF HEAD (SEE PART 2, SECTION 02, PLATE 01) (A VERSION) | | | | | | | FM | |
| A14 | 15029936 | HF HEAD (SEE PART 2, SECTION 02, PLATE 01) (B VERSION) | | | | | | | FM | |
| A57 | 15623192 | . HOUSING | | | | | | | 1 | |
| A58 | 15446879 | . COVER | | | | | | | 1 | |
| A59 | 15446880 | . COVER | | | | | | | 1 | |
| XXX10 | E27112A20Q4CCU | . SCREW (F110) | | | | | | | 17 | |
| XXX11 | 520201-00-24 | . WASHER, SPRING (F0349) | | | | | | | 17 | |
| XXX12 | E27112A25Q4CCU | . SCREW (F110) | | | | | | | 1 | |
| XXX13 | 520251-00-24 | . WHASER, SPRING (F0349) | | | | | | | 1 | |
| XXX14 | E27611E25SAUL | . WHASER, FLAT (F110) | | | | | | | 1 | |
| A60 | 15159127 | . SPACER, NUT, WITH COUNTERPLATE | | | | | | | 7 | |
| A61 | 15447476 | . PC BOARD ASSEMBLY (INPUT PROTECTION (A VERSION) (SEE SECTION 2.4.1, PL1) | | | | | | | 1 | |
| A61 | 15449450 | . PC BOARD ASSEMBLY (INPUT PROTECTION) (B VERSION) (SEE SECTION 2.4.1, PL2) | | | | | | | 1 | |
| A62 | 15447477 | . PC BOARD ASSEMBLY (MIXER AND 102.5 MHz IF) (SEE SECTION 2.4.2, PL1) | | | | | | | 1 | |
| A63 | 15447478 | . PC BOARD ASSEMBLY (TRANSCEIVER MIXER) (A VERSION) (SECTION 2.4.3, PL1) | | | | | | | 1 | |
| A63 | 15449451 | . PC BOARD ASSEMBLY (TRANSCEIVER MIXER) (B VERSION) (SECTION 2.4.3, PL2) | | | | | | | 1 | |
| A64 | 15447479 | . PC BOARD ASSEMBLY (VCO) (A VERSION) (SEE SECTION 2.4.4, PL1) | | | | | | | 1 | |
| A64 | 15449452 | . PC BOARD ASSEMBLY (VCO) (B VERSION) (SEE SECTION 2.4.4, PL2) | | | | | | | 1 | |
| FL1 | 15066646 | . FILTER, PASSBAND | | | | | | | 1 | |
| J1 | 15159117 | . CONNECTOR, ELECTRICAL, RECEPTACLE | | | | | | | 1 | |
| A65 | 15704671 | . HF HEAD | | | | | | | 1 | |



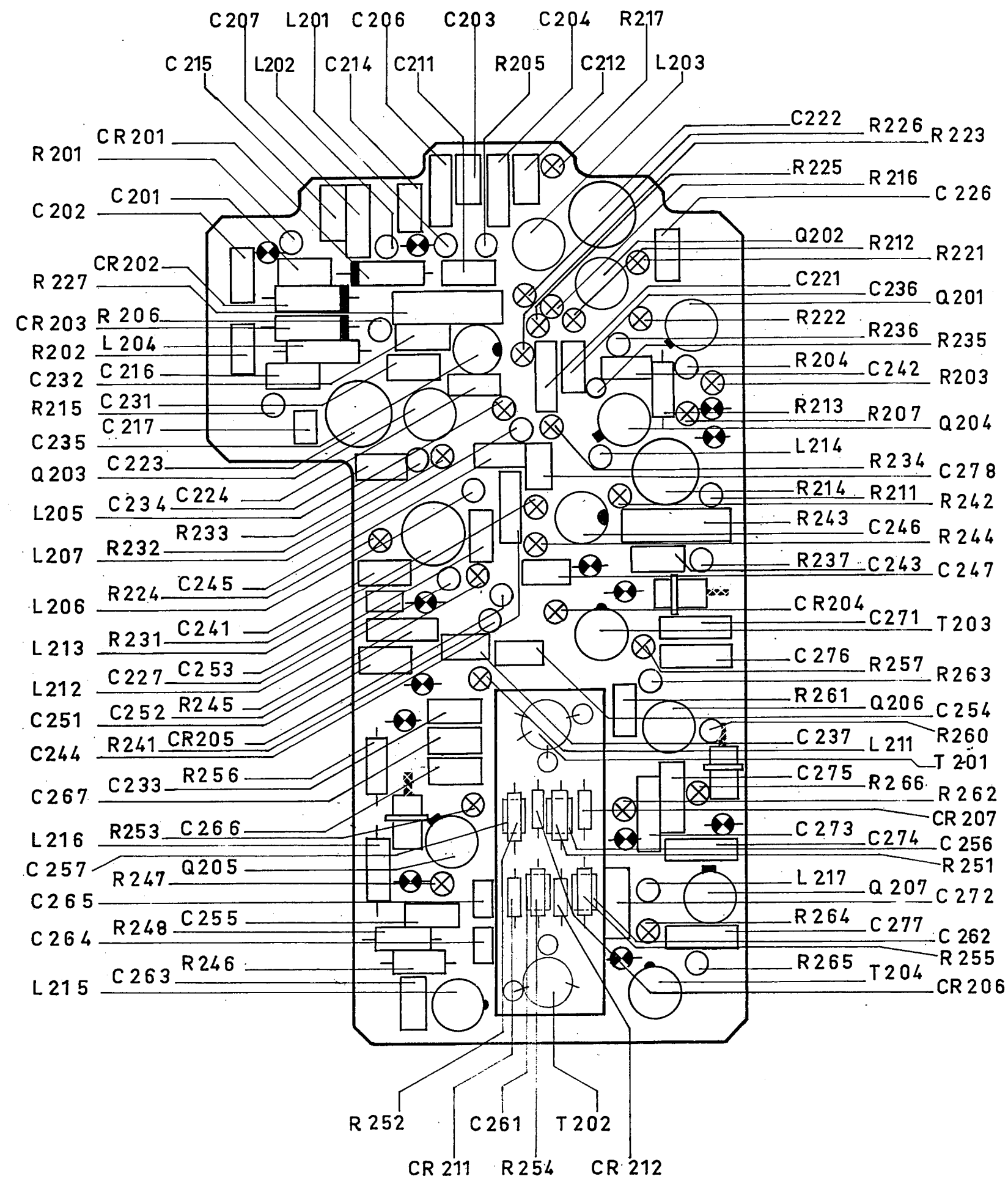
**PL.1 - INPUT PROTECTION
PC BOARD ASSEMBLY**

| DRAWING ITEM | MANUFACTURER'S PART NUMBER | DESCRIPTION | Qty | Proc. |
|-----------------|-------------------------------|--|-----|-------|
| | | | | |
| A61 | 15447476 | PC BOARD ASSEMBLY (INPUT PROTECTION) (SEE PART 2, SECTION 2.4, PLATE 01) (A VERSION) | FM | |
| C101 | UAZ905-100KM | . CAPACITOR, FIXED, CERAMIC (F0350) 0,1MF±20% 63V | 1 | |
| C102 | UAZ905-100KM | . CAPACITOR, FIXED, CERAMIC (F0350) 0,1MF±20% 63V | 1 | |
| C103 | CE13-3C22UK | . CAPACITOR, FIXED, CERAMIC (F0115) 22PF±10% 100V | 1 | |
| C104 | CE1-2C3U9GU | . CAPACITOR, FIXED, CERAMIC (F0115) 3,9PF±0,25PF 250V | 1 | |
| C105 | CE13-3C22UK | . CAPACITOR, FIXED, CERAMIC (F0115) 22PF±10% 100V | 1 | |
| CR101 | 1N4148 | . DIODE, SEMI-CONDUCTOR (F0115) 1N4148 | 1 | |
| CR102 | BZX46C5V6 | . DIODE, SEMI-CONDUCTOR (F4601) BZX46C5V6 | 1 | |
| CR103 | 1N4148 | . DIODE, SEMI-CONDUCTOR (F0115) 1N4148 | 1 | |
| CR104 | 1N4148 | . DIODE, SEMI-CONDUCTOR (F4601) 1N4148 | 1 | |
| CR105 | BZX46C5V6 | . DIODE, SEMI-CONDUCTOR (F4601) BZX46C5V6 | 1 | |
| CR106 | 1N4148 | . DIODE, SEMI-CONDUCTOR (F0115) 1N4148 | 1 | |
| L101 | 1025-00 | . REACTOR (99800) 0,15μH±10% | 1 | |
| R101 | RC2T820UJ | . RESISTOR, FIXED, FILM (F0114) 820Ω±5% 1/4W | 1 | |
| R102 | RC2T820UJ | . RESISTOR, FIXED, FILM (F0114) 820Ω±5% 1/4W | 1 | |



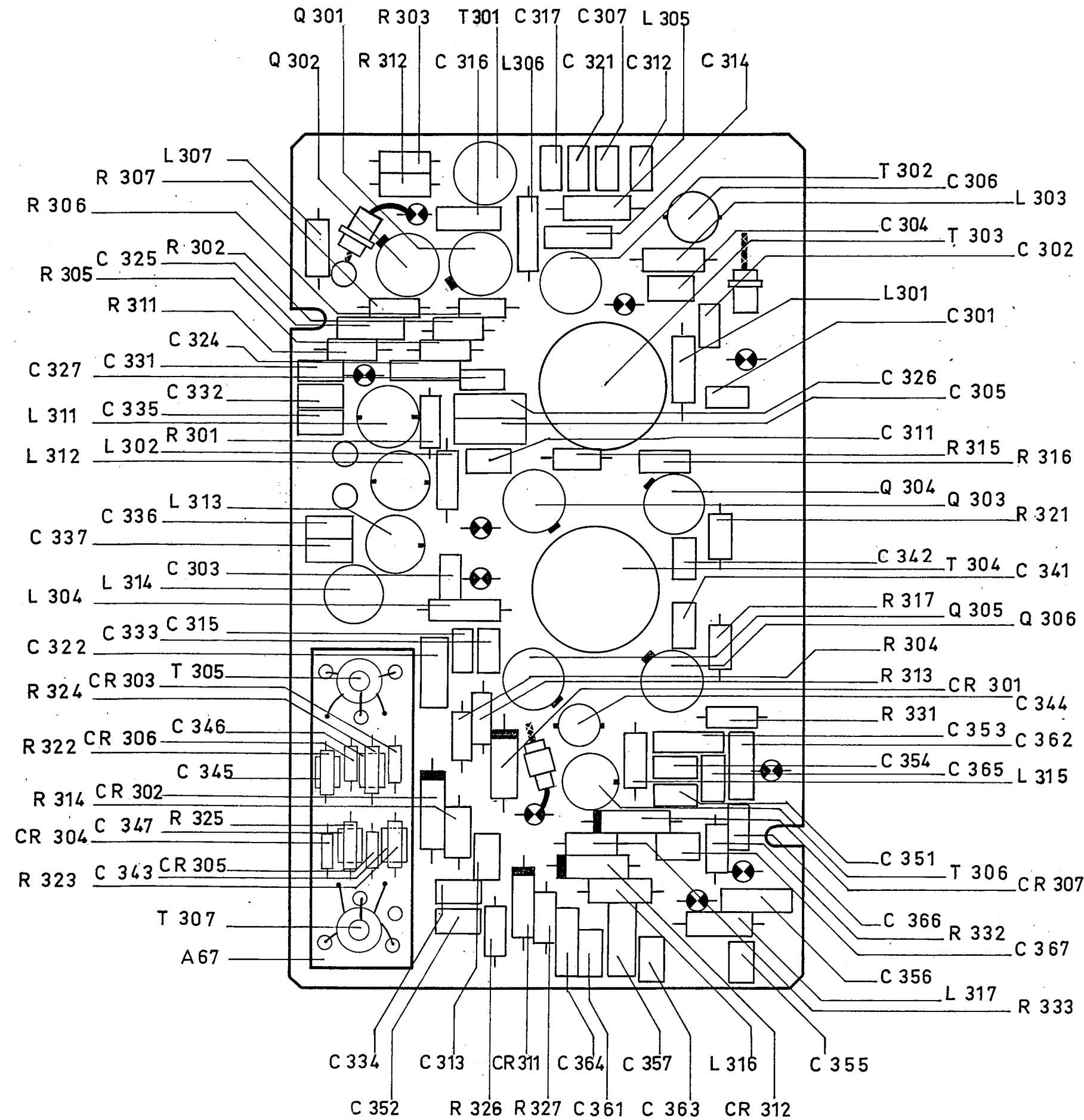
PL.2. INPUT PROTECTION
PC BOARD ASSEMBLY

| INDEX | MANUFACTURER'S PART NUMBER | DESCRIPTION | | | | | | | QTY | AP |
|-------|-------------------------------|---|---|---|---|---|---|---|-----|----|
| | | 1 | 2 | 3 | 4 | 5 | 6 | 7 | | |
| A61 | 15449450 | PC BOARD ASSEMBLY (INPUT PROTECTION) (SEE PART 2, SECTION 2-4, PLATE 1) (B version).. | | | | | | | FM | |
| C101 | UAZ905-100KM | . CAPACITOR, FIXED, CERAMIC (F0350) 0,1MF±20% 63V | | | | | | | 1 | |
| C102 | CN31-5-2K2K | . CAPACITOR, FIXED, CERAMIC (F0115) 2200PF±10% 100V | | | | | | | 1 | |
| C103 | UAZ905-10KM | . CAPACITOR, FIXED, CERAMIC (F0350) 0,01MF±20% 63V | | | | | | | 1 | |
| C104 | CN31-5-2K2K | . CAPACITOR, FIXED, CERAMIC (F0115) 2200PF±10% 100V | | | | | | | 1 | |
| C105 | UAZ905-10KM | . CAPACITOR, FIXED, CERAMIC (F0350) 0,01MF±20% 63V | | | | | | | 1 | |
| C106 | CE13-3C47UK | . CAPACITOR, FIXED, CARAMIC (F0115) 47PF±10% 100V | | | | | | | 1 | |
| C107 | CE1-2C3U9CU | . CAPACITOR, FIXED, CERAMIC (F0115) 3,9PF±0,25PF 250V | | | | | | | 1 | |
| CR101 | 1N4148 | . DIODE, SEMI-CONDUCTOR (F0115) 1N4148 | | | | | | | 1 | |
| CR102 | 1N4734A | . DIODE, SEMI-CONDUCTOR (F4601) 1N4734A | | | | | | | 1 | |
| CR103 | 1N4148 | . DIODE, SEMI-CONDUCTOR (F0115) 1N4148 | | | | | | | 1 | |
| CR104 | 1N4148 | . DIODE, SEMI-CONDUCTOR (F0115) 1N4148 | | | | | | | 1 | |
| CR105 | 1N4734A | . DIODE, SEMI-CONDUCTOR (F4601) 1N4734A | | | | | | | 1 | |
| CR106 | 1N4148 | . DIODE, SEMI-CONDUCTOR (F0115) 1N4148 | | | | | | | 1 | |
| L101 | 15449560 | . REACTOR..... | | | | | | | 1 | |
| L102 | 1025-00 | . REACTOR (99800) 0,15μH±10% | | | | | | | 1 | |
| R101 | RC2T820UJ | . RESISTOR, FIXED, FILM (F0114) 820Ω±5% 1/4W | | | | | | | 1 | |
| R102 | RC2T820UJ | . RESISTOR, FIXED, FILM (F0114) 820Ω±5% 1/4W | | | | | | | 1 | |
| R103 | RC2T91UJ | . RESISTOR, FIXED, FILM (F0114) 91Ω±5% 1/4W | | | | | | | 1 | |
| R104 | RC2T91UJ | . RESISTOR, FIXED, FILM (F0114) 91Ω±5% 1/4W | | | | | | | 1 | |
| R105 | RC2T91UJ | . RESISTOR, FIXED, FILM (F0114) 91Ω±5% 1/4W | | | | | | | 1 | |
| R106 | RC2T91UJ | . RESISTOR, FIXED, FILM (F0114) 91Ω±5% 1/4W | | | | | | | 1 | |



PL. 1 . MIXTER AND 102.5 MHZ IF
 FILTER PC BOARD ASSEMBLY

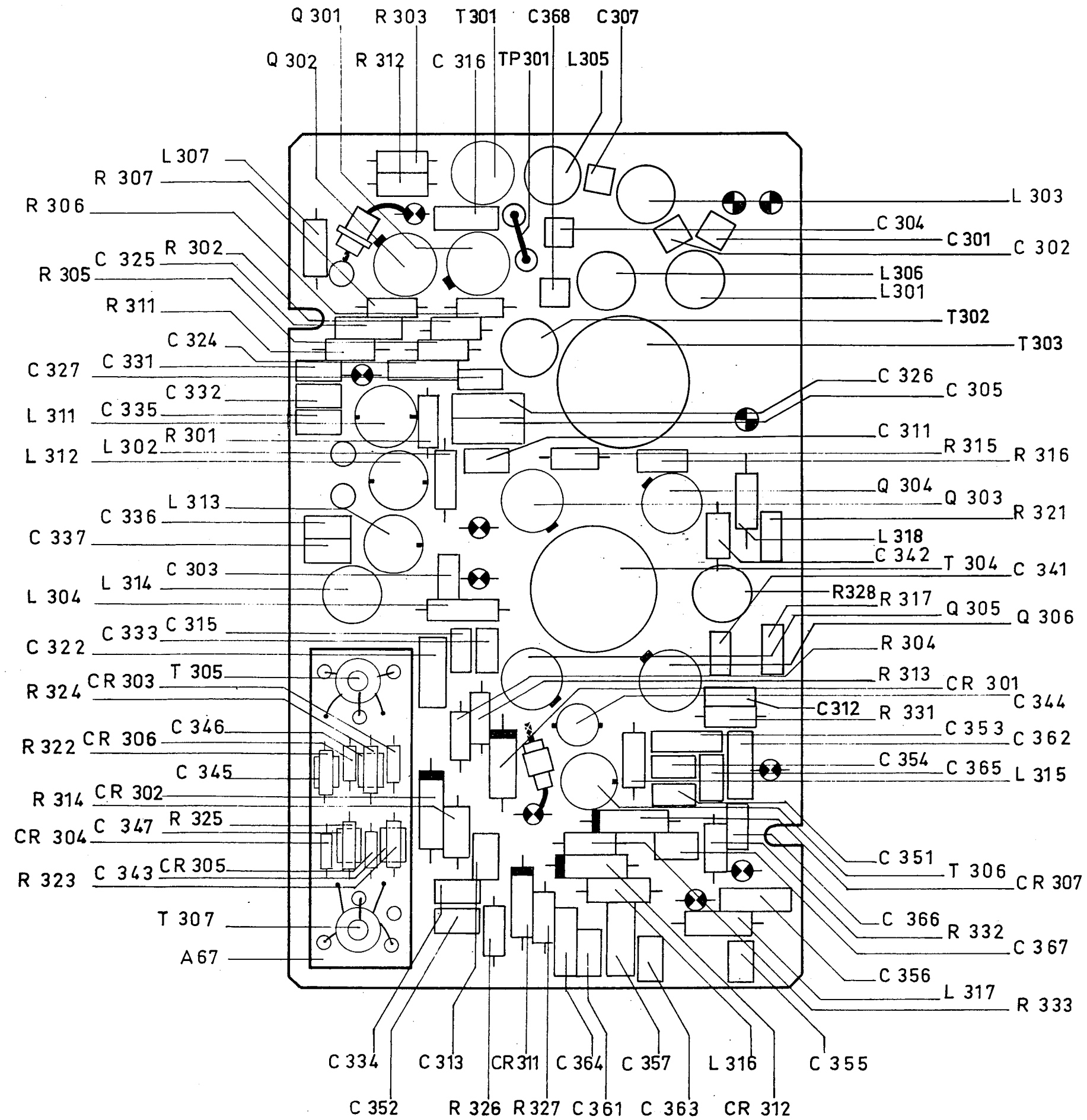
| DRAWING ITEM | MANUFACTURER'S PART NUMBER | DESCRIPTION | 1 2 3 4 5 6 7 | | | | | | Qty | Proc. |
|-----------------|-------------------------------|---|---------------|--|--|--|--|--|-----|-------|
| | | | | | | | | | | |
| A62 | 15447477 | PC BOARD ASSEMBLY (MIXER AND 102.5 MHz IF) (SEE PART 2, SECTION 2.4, PLATE 01) | | | | | | | FM | |
| A66 | 15159820 | . COVER | | | | | | | 1 | |
| C201 | DQX704-470UM | . CAPACITOR, FIXED, CERAMIC (F0350) 470PF±20% 100V | | | | | | | 1 | |
| C202 | DQX704-470UM | . CAPACITOR, FIXED, CERAMIC (F0350) 470PF±20% 100V | | | | | | | 1 | |
| C203 | DQX704-470UM | . CAPACITOR, FIXED, CERAMIC (F0350) 470PF±20% 100V | | | | | | | 1 | |
| C204 | UFW608-47KJL | . CAPACITOR, FIXED, CERAMIC (F0350) 0.047MF-20+80%16V | | | | | | | 1 | |
| C206 | UFW608-47KJL | . CAPACITOR, FIXED, CERAMIC (F0350) 0.047MF-20+80%16V | | | | | | | 1 | |
| C207 | UFW608-47KJL | . CAPACITOR, FIXED, CERAMIC (F0350) 0.047MF-20+80%16V | | | | | | | 1 | |
| C211 | DQX704-470UM | . CAPACITOR, FIXED, CERAMIC (F0350) 470PF±20% 100V | | | | | | | 1 | |
| C212 | CE13-3C82UK | . CAPACITOR, FIXED, CERAMIC (F0115) 82PF±10% 100V | | | | | | | 1 | |
| C214 | DQX704-470UM | . CAPACITOR, FIXED, CERAMIC (F0350) 470PF±20% 100V | | | | | | | 1 | |
| C215 | DQX704-470UM | . CAPACITOR, FIXED, CERAMIC (F0350) 470PF±20% 100V | | | | | | | 1 | |
| C216 | DQX704-470UM | . CAPACITOR, FIXED, CERAMIC (F0350) 470PF±20% 100V | | | | | | | 1 | |
| C217 | CE13-3C27UK | . CAPACITOR, FIXED, CERAMIC (F0115) 27PF±10% 100V | | | | | | | 1 | |
| C221 | UFW608-47KJL | . CAPACITOR, FIXED, CERAMIC (F0350) 0.047MF-20+80%16V | | | | | | | 1 | |
| C222 | 7STR1K002-7-35N1 500 | . CAPACITOR, VARIABLE (D8532) 7PF à 35PF | | | | | | | 1 | |
| C223 | 7STR1K002-7-35N1 500 | . CAPACITOR, VARIABLE (D8532) 7PF à 35PF | | | | | | | 1 | |
| C224 | DQX704-470UM | . CAPACITOR, FIXED, CERAMIC (F0350) 470PF±20% 100V | | | | | | | 1 | |
| C226 | DQX704-470UM | . CAPACITOR, FIXED, CERAMIC (F0350) 470PF±20% 100V | | | | | | | 1 | |
| C227 | DQX704-470UM | . CAPACITOR, FIXED, CERAMIC (F0350) 470PF±20% 100V | | | | | | | 1 | |
| C231 | DQX704-470UM | . CAPACITOR, FIXED, CERAMIC (F0350) 470PF±20% 100V | | | | | | | 1 | |
| C232 | DQX704-470UM | . CAPACITOR, FIXED, CERAMIC (F0350) 470PF±20% 100V | | | | | | | 1 | |
| C233 | DQX704-470UM | . CAPACITOR, FIXED, CERAMIC (F0350) 470PF±20% 100V | | | | | | | 1 | |
| C234 | DQX704-470UM | . CAPACITOR, FIXED, CERAMIC (F0350) 470PF±20% 100V | | | | | | | 1 | |
| C235 | 5STR1K004-3-8N075 | . CAPACITOR, VARIABLE (D8532) | | | | | | | 1 | |
| C236 | DQX704-470UM | . CAPACITOR, FIXED, CERAMIC (F0350) 470PF±20% 100V | | | | | | | 1 | |
| C237 | DQX704-470UM | . CAPACITOR, FIXED, CERAMIC (F0350) 470PF±20% 100V | | | | | | | 1 | |
| C241 | DQX704-470UM | . CAPACITOR, FIXED, CERAMIC (F0350) 470PF±20% 100V | | | | | | | 1 | |
| C242 | DQX704-470UM | . CAPACITOR, FIXED, CERAMIC (F0350) 470PF±20% 100V | | | | | | | 1 | |
| C243 | DQX704-470UM | . CAPACITOR, FIXED, CERAMIC (F0350) 470PF±20% 100V | | | | | | | 1 | |
| C244 | UFW608-47KJL | . CAPACITOR, FIXED, CERAMIC (F0350) 0.047MF-20+80%16V | | | | | | | 1 | |
| C245 | DQX704-470UM | . CAPACITOR, FIXED, CERAMIC (F0350) 470PF±20% 100V | | | | | | | 1 | |
| C246 | 5STR1K004-6-22N1 500 | . CAPACITOR, VARIABLE (D8532) 6PF à 22PF | | | | | | | 1 | |
| C247 | CE13-3C120UK | . CAPACITOR, FIXED, CERAMIC (F0115) 120PF±10% 100V | | | | | | | 1 | |
| C251 | DQX704-470UM | . CAPACITOR, FIXED, CERAMIC (F0350) 470PF±20% 100V | | | | | | | 1 | |
| C252 | UFW608-47KJL | . CAPACITOR, FIXED, CERAMIC (F0350) 0.047MF-20+80%16V | | | | | | | 1 | |
| C253 | DQX704-470UM | . CAPACITOR, FIXED, CERAMIC (F0350) 470PF±20% 100V | | | | | | | 1 | |
| C254 | DQX704-470UM | . CAPACITOR, FIXED, CERAMIC (F0350) 470PF±20% 100V | | | | | | | 1 | |
| C255 | DQX704-470UM | . CAPACITOR, FIXED, CERAMIC (F0350) 470PF±20% 100V | | | | | | | 1 | |
| C256 | CN31-5-470UM | . CAPACITOR, FIXED, CERAMIC (F0115) 470PF±20% 100V | | | | | | | 1 | |
| C257 | CN31-5-470UM | . CAPACITOR, FIXED, CERAMIC (F0115) 470PF±20% 100V | | | | | | | 1 | |
| C261 | CN31-5-470UM | . CAPACITOR, FIXED, CERAMIC (F0115) 470PF±20% 100V | | | | | | | 1 | |
| C262 | CN31-5-470UM | . CAPACITOR, FIXED, CERAMIC (F0115) 470PF±20% 100V | | | | | | | 1 | |
| C263 | DQX704-470UM | . CAPACITOR, FIXED, CERAMIC (F0350) 470PF±20% 100V | | | | | | | 1 | |
| C264 | CE13-3C12UK | . CAPACITOR, FIXED, CERAMIC (F0115) 12PF±10% 100V | | | | | | | 1 | |
| C265 | CE13-3C33UK | . CAPACITOR, FIXED, CERAMIC (F0115) 33PF±20% 100V | | | | | | | 1 | |
| C266 | DQX704-470UM | . CAPACITOR, FIXED, CERAMIC (F0350) 470PF±20% 100V | | | | | | | 1 | |
| C267 | DQX704-470UM | . CAPACITOR, FIXED, CERAMIC (F0350) 470PF±20% 100V | | | | | | | 1 | |
| C271 | UFW608-47KJL | . CAPACITOR, FIXED, CERAMIC (F0350) 0.047MF-20+80% 10V | | | | | | | 1 | |



PL. 1. TRANCEIVER MIXER PC BOARD ASSEMBLY

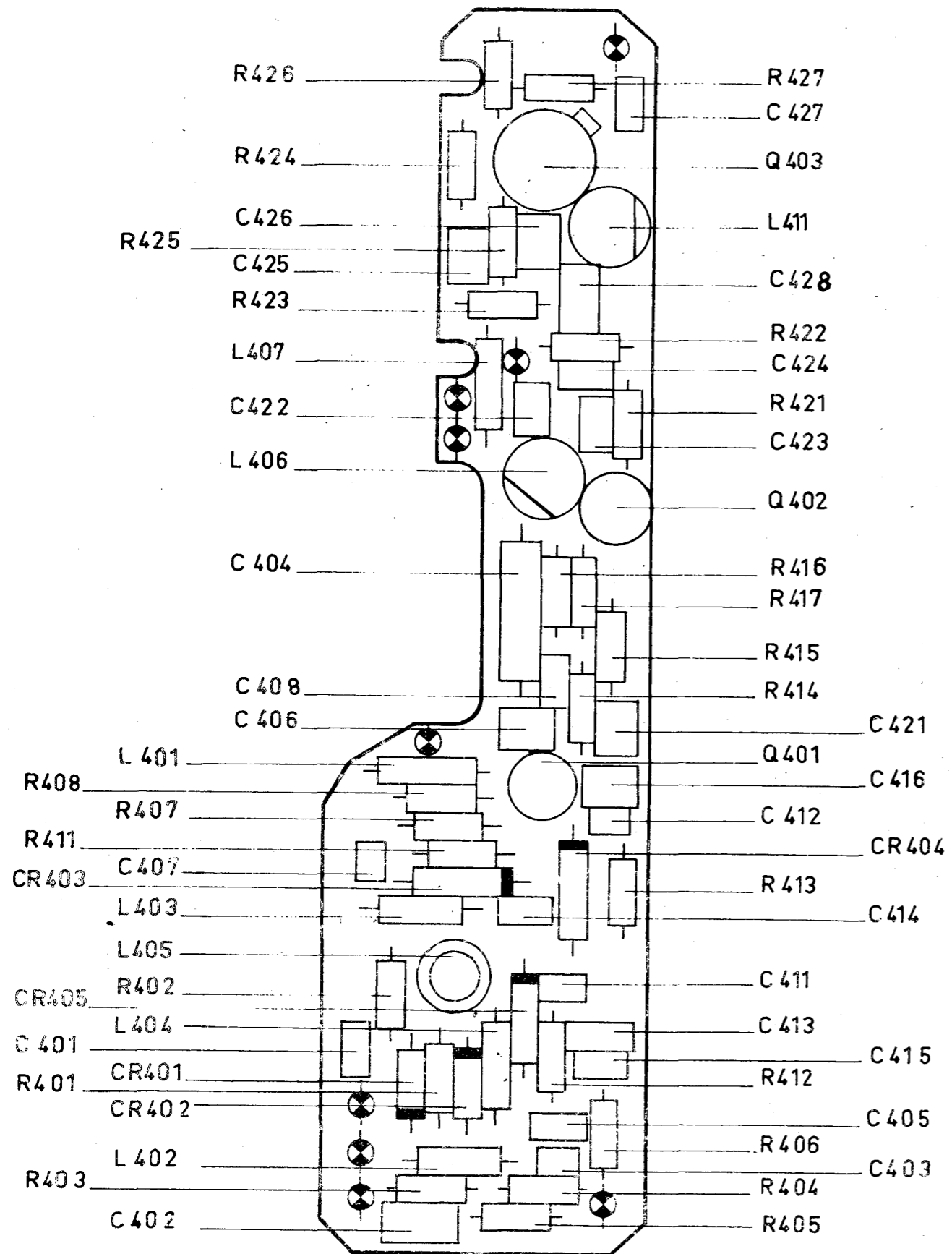
| DRAWING ITEM | MANUFACTURER'S PART NUMBER | DESCRIPTION | Qty Proc. | |
|-----------------|-------------------------------|--|---------------|----|
| | | | 1 2 3 4 5 6 7 | |
| A63 | 15447478 | PC BOARD ASSEMBLY (TRANSCEIVER MIXER) (SEE PART 2, SECTION 2.4, PLATE 01) (A VERSION) | | FM |
| A67 | 15159820 | . COVER | | 1 |
| C301 | CN31-5-2K2M | . CAPACITOR, FIXED, CERAMIC (F0115) 2200PF±20% 100V | | 1 |
| C302 | CN31-5-2K2M | . CAPACITOR, FIXED, CERAMIC (F0115) 2200PF±20% 100V | | 1 |
| C303 | DQX704-470UM | . CAPACITOR, FIXED, CERAMIC (F0350) 470PF±20% 100V | | 1 |
| C304 | CE13-3C82UK | . CAPACITOR, FIXED, CERAMIC (F0115) 82PF±10% 100V | | 1 |
| C305 | UFW608-47KJL | . CAPACITOR, FIXED, CERAMIC (F0350) 0.047MF-20+80% 16V | | 1 |
| C306 | 5STR1K003-6-22N1500 | . CAPACITOR, VARIABLE (D8532) 6PF à 22PF | | 1 |
| C307 | CE13-3C82UK | . CAPACITOR, FIXED, CERAMIC (F0115) 82PF±10% 100V | | 1 |
| C311 | DQX704-470UM | . CAPACITOR, FIXED, CERAMIC (F0350) 470PF±20% 100V | | 1 |
| C312 | CE13-3C82UK | . CAPACITOR, FIXED, CERAMIC (F0115) 82PF±10% 100V | | 1 |
| C313 | DQX704-470UM | . CAPACITOR, FIXED, CERAMIC (F0350) 470PF±20% 100V | | 1 |
| C314 | CE1-2C1U8CU | . CAPACITOR, FIXED, CERAMIC (F0115) 1.8PF±0.25PF 250V | | 1 |
| C315 | DQX704-470UM | . CAPACITOR, FIXED, CERAMIC (F0350) 470PF±20% 100V | | 1 |
| C316 | UFW608-47KJL | . CAPACITOR, FIXED, CERAMIC (F0350) 0.047MF-20+80% 16V | | 1 |
| C317 | CE13-3C82UK | . CAPACITOR, FIXED, CERAMIC (F0115) 82PF±10% 100V | | 1 |
| C321 | CE13-3C82UK | . CAPACITOR, FIXED, CERAMIC (F0115) 82PF±10% 100V | | 1 |
| C322 | UFW608-47KJL | . CAPACITOR, FIXED, CERAMIC (F0350) 0.047MF-20+80% 16V | | 1 |
| C324 | UFW608-47KJL | . CAPACITOR, FIXED, CERAMIC (F0350) 0.047MF-20+80% 16V | | 1 |
| C325 | UFW608-47KJL | . CAPACITOR, FIXED, CERAMIC (F0350) 0.047MF-20+80% 16V | | 1 |
| C326 | UFW608-47KJL | . CAPACITOR, FIXED, CERAMIC (F0350) 0.047MF-20+80% 16V | | 1 |
| C327 | DQX704-470UM | . CAPACITOR, FIXED, CERAMIC (F0350) 470PF±20% 100V | | 1 |
| C331 | CE13-3C18UK | . CAPACITOR, FIXED, CERAMIC (F0115) 18PF±10% 100V | | 1 |
| C332 | CE13-3C18UK | . CAPACITOR, FIXED, CERAMIC (F0115) 18PF±10% 100V | | 1 |
| C333 | DQX704-470UM | . CAPACITOR, FIXED, CERAMIC (F0350) 470PF±20% 100V | | 1 |
| C334 | DQX704-470UM | . CAPACITOR, FIXED, CERAMIC (F0350) 470PF±20% 100V | | 1 |
| C335 | CE13-3C150UK | . CAPACITOR, FIXED, CERAMIC (F0115) 150PF±10% 100V | | 1 |
| C336 | CE13-3C180UK | . CAPACITOR, FIXED, CERAMIC (F0115) 180PF±10% 100V | | 1 |
| C337 | CE13-3C100UJ | . CAPACITOR, FIXED, CERAMIC (F0115) 100PF±5% 100V | | 1 |
| C341 | DQX704-470UM | . CAPACITOR, FIXED, CERAMIC (F0350) 470PF±20% 100V | | 1 |
| C342 | DQX704-470UM | . CAPACITOR, FIXED, CERAMIC (F0350) 470PF±20% 100V | | 1 |
| C343 | CN31-5-470UM | . CAPACITOR, FIXED, CERAMIC (F0115) 470PF±20% 100V | | 1 |
| C344 | 5STR1K003-6-22N1500 | . CAPACITOR, VARIABLE (D8532) 6PF à 22PF | | 1 |
| C345 | CN31-5-470UM | . CAPACITOR, FIXED, CERAMIC (F0115) 470PF±20% 100V | | 1 |
| C346 | CN31-5-470UM | . CAPACITOR, FIXED, CERAMIC (F0115) 470PF±20% 100V | | 1 |
| C347 | CN31-5-470UM | . CAPACITOR, FIXED, CERAMIC (F0115) 470PF±20% 100V | | 1 |
| C351 | DQX704-470UM | . CAPACITOR, FIXED, CERAMIC (F0350) 470PF±20% 100V | | 1 |
| C352 | DQX704-470UM | . CAPACITOR, FIXED, CERAMIC (F0350) 470PF±20% 100V | | 1 |
| C353 | UFW608-47KJL | . CAPACITOR, FIXED, CERAMIC (F0350) 0.047MF-20+80% 16V | | 1 |
| C354 | DQX704-470UM | . CAPACITOR, FIXED, CERAMIC (F0350) 470PF±20% 100V | | 1 |
| C355 | DQX704-470UM | . CAPACITOR, FIXED, CERAMIC (F0350) 470PF±20% 100V | | 1 |
| C356 | UFW608-47KJL | . CAPACITOR, FIXED, CERAMIC (F0350) 0.047MF-20+80% 16V | | 1 |
| C357 | UFW608-47KJL | . CAPACITOR, FIXED, CERAMIC (F0350) 0.047MF-20+80% 16V | | 1 |
| C361 | DQX704-470UM | . CAPACITOR, FIXED, CERAMIC (F0350) 470PF±20% 100V | | 1 |
| C362 | UFW608-47KJL | . CAPACITOR, FIXED, CERAMIC (F0350) 0.047MF-20+80% 16V | | 1 |
| C363 | DQX704-470UM | . CAPACITOR, FIXED, CERAMIC (F0350) 470PF±20% 100V | | 1 |
| C364 | UFW608-47KJL | . CAPACITOR, FIXED, CERAMIC (F0350) 0.047MF-20+80% 16V | | 1 |
| C365 | DQX704-470UM | . CAPACITOR, FIXED, CERAMIC (F0350) 470PF±20% 100V | | 1 |
| C366 | DQX704-470UM | . CAPACITOR, FIXED, CERAMIC (F0350) 470PF±20% 100V | | 1 |
| C367 | DQX704-470UM | . CAPACITOR, FIXED, CERAMIC (F0350) 470PF±20% 100V | | 1 |

| DRAWING ITEM | MANUFACTURER'S PART NUMBER | DESCRIPTION | | | | | | | Qty | Proc. |
|-----------------|-------------------------------|---------------------------------|---------------|---|---|---|---|---|-----|-------|
| | | 1 | 2 | 3 | 4 | 5 | 6 | 7 | | |
| CR301 | BA152A | . DIODE, SEMI-CONDUCTOR (F4601) | BA152A | | | | | | 1 | |
| CR302 | BA152A | . DIODE, SEMI-CONDUCTOR (F4601) | BA152A | | | | | | 1 | |
| CR303 | HP5082-2800 | . DIODE, SEMI-CONDUCTOR (28480) | HP5082-2800 | | | | | | 1 | |
| CR304 | HP5082-2800 | . DIODE, SEMI-CONDUCTOR (28480) | HP5082-2800 | | | | | | 1 | |
| CR305 | HP5082-2800 | . DIODE, SEMI-CONDUCTOR (28480) | HP5082-2800 | | | | | | 1 | |
| CR306 | HP5082-2800 | . DIODE, SEMI-CONDUCTOR (28480) | HP5082-2800 | | | | | | 1 | |
| CR307 | BA152A | . DIODE, SEMI-CONDUCTOR (F4601) | BA152A | | | | | | 1 | |
| CR311 | BA152A | . DIODE, SEMI-CONDUCTOR (F4601) | BA152A | | | | | | 1 | |
| CR312 | BA152A | . DIODE, SEMI-CONDUCTOR (F4601) | BA152A | | | | | | 1 | |
| L301 | 1025-32 | . REACTOR (99800) | 3,3μH±10% | | | | | | 1 | |
| L302 | 1025-04 | . REACTOR (99800) | 0,22μH±10% | | | | | | 1 | |
| L303 | 1025-10 | . REACTOR (99800) | 0,39μH±10% | | | | | | 1 | |
| L304 | 1025-36 | . REACTOR (99800) | 4,7μH±10% | | | | | | 1 | |
| L305 | 1025-10 | . REACTOR (99800) | 0,39μH±10% | | | | | | 1 | |
| L306 | 1025-08 | . REACTOR (99800) | 0,33μH±10% | | | | | | 1 | |
| L307 | 1025-38 | . REACTOR (99800) | 5,6μH±10% | | | | | | 1 | |
| L311 | 15446885 | . REACTOR | | | | | | | 1 | |
| L312 | 15446886 | . REACTOR | | | | | | | 1 | |
| L313 | 15446886 | . REACTOR | | | | | | | 1 | |
| L314 | 15446888 | . REACTOR | | | | | | | 1 | |
| L315 | 1025-36 | . REACTOR (99800) | 4,7μH±10% | | | | | | 1 | |
| L316 | 1025-36 | . REACTOR (99800) | 4,7μH±10% | | | | | | 1 | |
| L317 | 1025-36 | . REACTOR (99800) | 4,7μH±10% | | | | | | 1 | |
| Q301 | 2N4034 | . TRANSISTOR (F3223) | 2N4034 | | | | | | 1 | |
| Q302 | 2N5179 | . TRANSISTOR (86684) | 2N5179 | | | | | | 1 | |
| Q303 | 15066648 | . TRANSISTOR | | | | | | | 1 | |
| Q304 | 15066648 | . TRANSISTOR | | | | | | | 1 | |
| Q305 | 15066648 | . TRANSISTOR | | | | | | | 1 | |
| Q306 | 15066648 | . TRANSISTOR | | | | | | | 1 | |
| R301 | RC2T100UJ | . RESISTOR, FIXED, FILM (F0114) | 100Ω±5% 1/4W | | | | | | 1 | |
| R302 | RC2T27UJ | . RESISTOR, FIXED, FILM (F0114) | 27Ω±5% 1/4W | | | | | | 1 | |
| R303 | RC2T27UJ | . RESISTOR, FIXED, FILM (F0114) | 27Ω±5% 1/4W | | | | | | 1 | |
| R304 | RC2T1K2J | . RESISTOR, FIXED, FILM (F0114) | 1,2KΩ±5% 1/4W | | | | | | 1 | |
| R305 | RC2T560UJ | . RESISTOR, FIXED, FILM (F0114) | 560Ω±5% 1/4W | | | | | | 1 | |
| R306 | RC2T2K2J | . RESISTOR, FIXED, FILM (F0114) | 2,2KΩ±5% 1/4W | | | | | | 1 | |
| R307 | RC2T2K2J | . RESISTOR, FIXED, FILM (F0114) | 2,2KΩ±5% 1/4W | | | | | | 1 | |
| R311 | RC2T560UJ | . RESISTOR, FIXED, FILM (F0114) | 560Ω±5% 1/4W | | | | | | 1 | |
| R312 | RC2T1K5J | . RESISTOR, FIXED, FILM (F0114) | 1,5KΩ±5% 1/4W | | | | | | 1 | |
| R313 | RC2T1K2J | . RESISTOR, FIXED, FILM (F0114) | 1,2KΩ±5% 1/4W | | | | | | 1 | |
| R314 | RC2T1K2J | . RESISTOR, FIXED, FILM (F0114) | 1,2KΩ±5% 1/4W | | | | | | 1 | |
| R315 | RC2T1KJ | . RESISTOR, FIXED, FILM (F0114) | 1KΩ±5% 1/4W | | | | | | 1 | |
| R316 | RC2T1KJ | . RESISTOR, FIXED, FILM (F0114) | 1KΩ±5% 1/4W | | | | | | 1 | |
| R317 | RC2T820UJ | . RESISTOR, FIXED, FILM (F0114) | 820Ω±5% 1/4W | | | | | | 1 | |
| R321 | RC2T820UJ | . RESISTOR, FIXED, FILM (F0114) | 820Ω±5% 1/4W | | | | | | 1 | |
| R322 | RC2T100UJ | . RESISTOR, FIXED, FILM (F0114) | 100Ω±5% 1/4W | | | | | | 1 | |
| R323 | RC2T100UJ | . RESISTOR, FIXED, FILM (F0114) | 100Ω±5% 1/4W | | | | | | 1 | |
| R324 | RC2T100UJ | . RESISTOR, FIXED, FILM (F0114) | 100Ω±5% 1/4W | | | | | | 1 | |
| R325 | RC2T100UJ | . RESISTOR, FIXED, FILM (F0114) | 100Ω±5% 1/4W | | | | | | 1 | |
| R326 | RC2T1K2J | . RESISTOR, FIXED, FILM (F0114) | 1,2KΩ±5% 1/4W | | | | | | 1 | |
| R327 | RC2T1K2J | . RESISTOR, FIXED, FILM (F0114) | 1,2KΩ±5% 1/4W | | | | | | 1 | |
| R331 | RC2T100UJ | . RESISTOR, FIXED, FILM (F0114) | 100Ω±5% 1/4W | | | | | | 1 | |



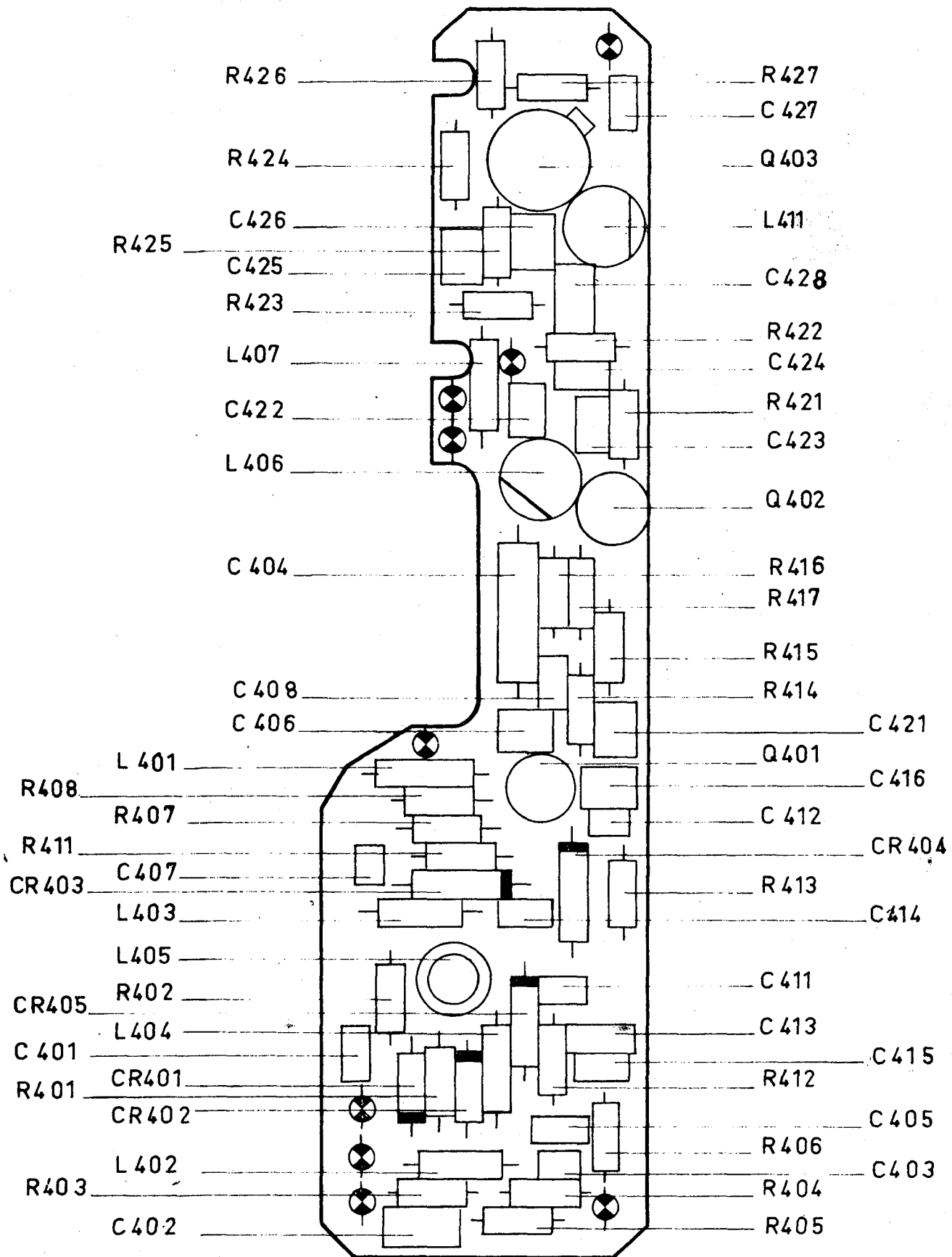
PL.2. TRANCEIVER MIXER PC BOARD ASSEMBLY

| INDEX | MANUFACTURER'S PART NUMBER | DESCRIPTION | | | | | | QTY | AP |
|-------|-------------------------------|--|---|---|---|---|---|-----|----|
| | | 1 | 2 | 3 | 4 | 5 | 6 | | |
| A63 | 15449451 | PC BOARD ASSEMBLY (TRANSCEIVER MIXER) (SEE PART 2, SECTION 2-4, PLATE 1) (B version) | | | | | | FM | |
| A67 | 15159820 | . COVER..... | | | | | | 1 | |
| C301 | PLC933D120UJ | . CAPACITOR, FIXED, CERAMIC (F0350) 120PF±5% 100V | | | | | | 1 | |
| C302 | PLC933D220UG | . CAPACITOR, FIXED, CERAMIC (F0350) 220PF±2% 100V | | | | | | 1 | |
| C303 | DQX704-470UM | . CAPACITOR, FIXED, CERAMIC (F0350) 470PF±20% 100V | | | | | | 1 | |
| C304 | PLC933D120UJ | . CAPACITOR, FIXED, CERAMIC (F0350) 120PF±5% 100V | | | | | | 1 | |
| C305 | UFW608-47KJL | . CAPACITOR, FIXED, CERAMIC (F0350) 0,047MF-20+80%16V | | | | | | 1 | |
| C307 | PLC933D220UG | . CAPACITOR, FIXED, CERAMIC (F0350) 220PF±2% 100V | | | | | | 1 | |
| C311 | DQX704-470UM | . CAPACITOR, FIXED, CERAMIC (F0350) 470PF±20% 100V | | | | | | 1 | |
| C312 | DQX704-470UM | . CAPACITOR, FIXED, CERAMIC (F0350) 470PF±20% 100V | | | | | | 1 | |
| C313 | DQX704-470UM | . CAPACITOR, FIXED, CERAMIC (F0350) 470PF±20% 100V | | | | | | 1 | |
| C315 | DQX704-470UM | . CAPACITOR, FIXED, CERAMIC (F0350) 470PF±20% 100V | | | | | | 1 | |
| C316 | UFW608-47KJL | . CAPACITOR, FIXED, CERAMIC (F0350) 0,047MF-20+80%16V | | | | | | 1 | |
| C322 | UFW608-47KJL | . CAPACITOR, FIXED, CERAMIC (F0350) 0,047MF-20+80%16V | | | | | | 1 | |
| C324 | UFW608-47KJL | . CAPACITOR, FIXED, CERAMIC (F0350) 0,047MF-20+80%16V | | | | | | 1 | |
| C325 | UFW608-47KJL | . CAPACITOR, FIXED, CERAMIC (F0350) 0,047MF-20+80%16V | | | | | | 1 | |
| C326 | UFW608-47KJL | . CAPACITOR, FIXED, CERAMIC (F0350) 0,047MF-20+80%16V | | | | | | 1 | |
| C327 | DQX704-470UM | . CAPACITOR, FIXED, CERAMIC (F0350) 470PF±20% 100V | | | | | | 1 | |
| C331 | CE13-3C18UK | . CAPACITOR, FIXED, CERAMIC (F0115) 18PF±10% 100V | | | | | | 1 | |
| C332 | CE13-3C18UK | . CAPACITOR, FIXED, CERAMIC (F0115) 18PF±10% 100V | | | | | | 1 | |
| C333 | DQX704-470UM | . CAPACITOR, FIXED, CERAMIC (F0350) 470PF±20% 100V | | | | | | 1 | |
| C334 | DQX704-470UM | . CAPACITOR, FIXED, CERAMIC (F0350) 470PF±20% 100V | | | | | | 1 | |
| C335 | CE13-3C150UK | . CAPACITOR, FIXED, CERAMIC (F0115) 150PF±10% 100V | | | | | | 1 | |
| C336 | CE13-3C180UK | . CAPACITOR, FIXED, CERAMIC (F0115) 180PF±10% 100V | | | | | | 1 | |
| C337 | CE13-3C100UJ | . CAPACITOR, FIXED, CERAMIC (F0115) 100PF±5% 100V | | | | | | 1 | |
| C341 | DQX704-470UM | . CAPACITOR, FIXED, CERAMIC (F0350) 470PF±20% 100V | | | | | | 1 | |
| C342 | DQX704-470UM | . CAPACITOR, FIXED, CERAMIC (F0350) 470PF±20% 100V | | | | | | 1 | |
| C343 | CN31-5-470UM | . CAPACITOR, FIXED, CERAMIC (F0115) 470PF±20% 100V | | | | | | 1 | |
| C344 | 5SSTRIK004-6-22N1500 | . CAPACITOR, VARIABLE (D8532) 6PF à 22PF | | | | | | 1 | |
| C345 | CN31-5-470UM | . CAPACITOR, FIXED, CERAMIC (F0115) 470PF±20% 100V | | | | | | 1 | |
| C346 | CN31-5-470UM | . CAPACITOR, FIXED, CERAMIC (F0115) 470PF±20% 100V | | | | | | 1 | |
| C347 | CN31-5-470UM | . CAPACITOR, FIXED, CERAMIC (F0115) 470PF±20% 100V | | | | | | 1 | |
| C351 | DQX704-470UM | . CAPACITOR, FIXED, CERAMIC (F0350) 470PF±20% 100V | | | | | | 1 | |
| C352 | DQX704-470UM | . CAPACITOR, FIXED, CERAMIC (F0350) 470PF±20% 100V | | | | | | 1 | |
| C253 | UAZ905-47KM | . CAPACITOR, FIXED, CERAMIC (F0350) 0,047MF±20% 63V | | | | | | 1 | |
| C354 | DQX704-470UM | . CAPACITOR, FIXED, CERAMIC (F0350) 470PF±20% 100V | | | | | | 1 | |
| C355 | DQX704-470UM | . CAPACITOR, FIXED, CERAMIC (F0350) 470PF±20% 100V | | | | | | 1 | |
| C356 | UFW608-47KJL | . CAPACITOR, FIXED, CERAMIC (F0350) 0,047MF-20+80%16V | | | | | | 1 | |
| C357 | UFW608-47KJL | . CAPACITOR, FIXED, CERAMIC (F0350) 0,047MF-20+80%16V | | | | | | 1 | |
| C361 | DQX704-470UM | . CAPACITOR, FIXED, CERAMIC (F0350) 470PF±20% 100V | | | | | | 1 | |
| C362 | UFW608-47KJL | . CAPACITOR, FIXED, CERAMIC (F0350) 0,047MF-20+80%16V | | | | | | 1 | |
| C363 | DQX704-470UM | . CAPACITOR, FIXED, CERAMIC (F0350) 470PF±20% 100V | | | | | | 1 | |
| C364 | UFW608-47KJL | . CAPACITOR, FIXED, CERAMIC (F0350) 0,047MF-20+80%16V | | | | | | 1 | |
| C365 | DQX704-470UM | . CAPACITOR, FIXED, CERAMIC (F0350) 470PF±20% 100V | | | | | | 1 | |
| C366 | DQX704-470UM | . CAPACITOR, FIXED, CERAMIC (F0350) 470PF±20% 100V | | | | | | 1 | |
| C367 | DQX704-470UM | . CAPACITOR, FIXED, CERAMIC (F0350) 470PF±20% 100V | | | | | | 1 | |
| C368 | PLC933D82UJ | . CAPACITOR, FIXED, CERAMIC (F0350) 82PF±5% 100V | | | | | | 1 | |



PL.1. VCO PC BOARD ASSEMBLY

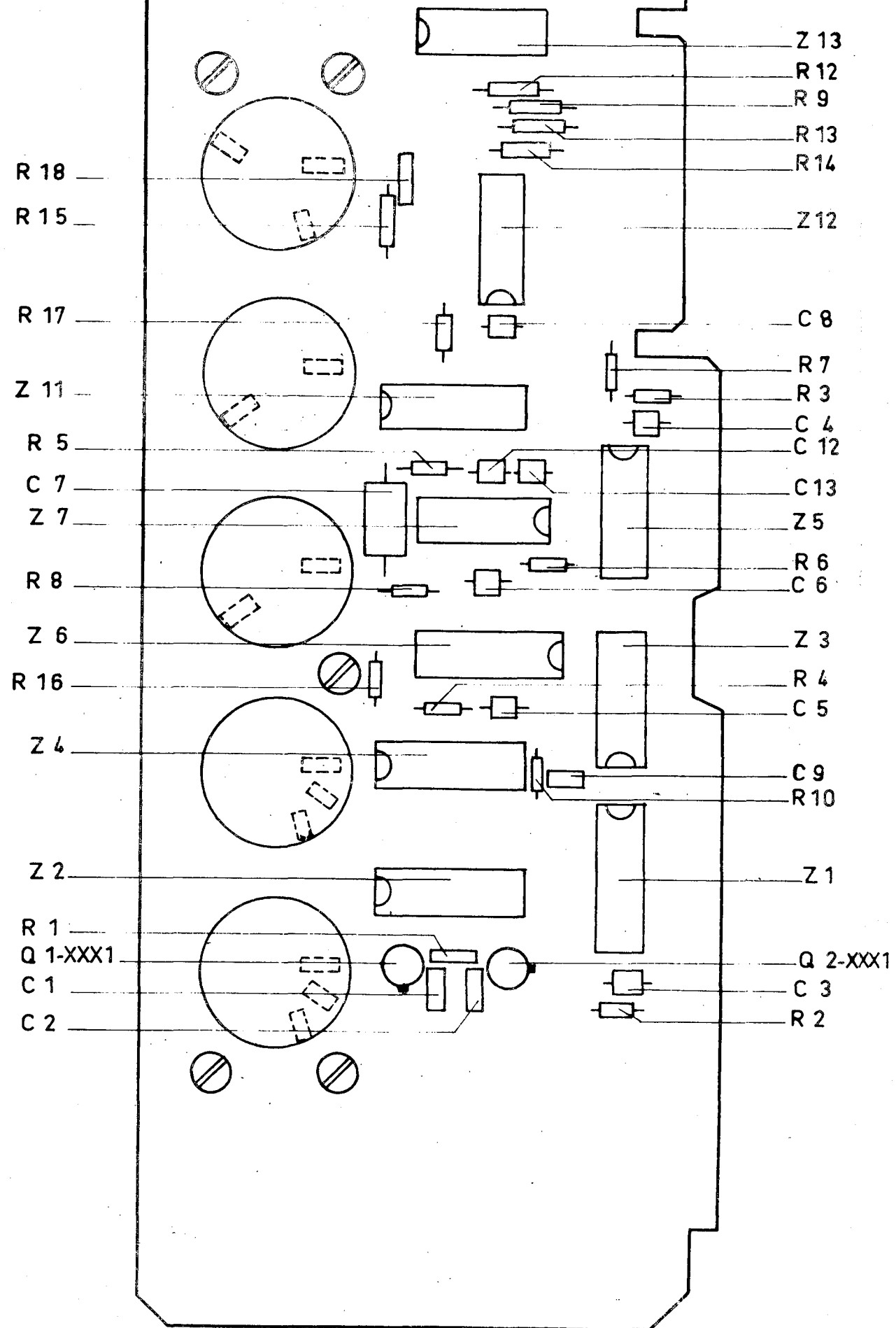
| DRAWING ITEM | MANUFACTURER'S PART NUMBER | DESCRIPTION | 1 2 3 4 5 6 7 | | | | | | | Qty | Proc. |
|-----------------|-------------------------------|--|---------------|--|--|--|--|--|--|-----|-------|
| | | | | | | | | | | | |
| A64 | 15447479 | PC BOARD ASSEMBLY (VCO) (SEE PART 2, SECTION 2.4, PLATE 01) (A VERSION) | | | | | | | | FM | |
| C401 | CN31-5-3K3M | . CAPACITOR, FIXED, CERAMIC (F0115) 3300PF±20% 100V | | | | | | | | 1 | |
| C402 | UAZ905-10KM | . CAPACITOR, FIXED, CERAMIC (F0350) 0.01MF±20% 63V | | | | | | | | 1 | |
| C403 | CN31-5-470UM | . CAPACITOR, FIXED, CERAMIC (F0115) 470PF±20% 100V | | | | | | | | 1 | |
| C404 | MT5A16V68MM | . CAPACITOR, FIXED, ELECTRO (F2220) 68MF±20% 16V | | | | | | | | 1 | |
| C405 | MT5R20V4M7M | . CAPACITOR, FIXED, ELECTRO (F2220) 4.7MF±20% 20V | | | | | | | | 1 | |
| C406 | DQX704-470UM | . CAPACITOR, FIXED, CERAMIC (F0350) 470PF±20% 100V | | | | | | | | 1 | |
| C407 | CN31-5-470UM | . CAPACITOR, FIXED, CERAMIC (F0115) 470PF±20% 100V | | | | | | | | 1 | |
| C408 | MT2R20V4M7M | . CAPACITOR, FIXED, ELECTRO (F2220) 4.7MF±20% 20V | | | | | | | | 1 | |
| C411 | CN31-5-470UM | . CAPACITOR, FIXED, CERAMIC (F0115) 470PF±20% 100V | | | | | | | | 1 | |
| C412 | CN31-5-470UM | . CAPACITOR, FIXED, CERAMIC (F0115) 470PF±20% 100V | | | | | | | | 1 | |
| C413 | MT2R20V4M7M | . CAPACITOR, FIXED, ELECTRO (F2220) 4.7MF±20% 20V | | | | | | | | 1 | |
| C414 | CN31-5-470UM | . CAPACITOR, FIXED, CERAMIC (F0115) 470PF±20% 100V | | | | | | | | 1 | |
| C415 | CN31-5-470UM | . CAPACITOR, FIXED, CERAMIC (F0115) 470PF±20% 100V | | | | | | | | 1 | |
| C416 | DQX704-470UM | . CAPACITOR, FIXED, CERAMIC (F0350) 470PF±20% 100V | | | | | | | | 1 | |
| C421 | DQX704-470UM | . CAPACITOR, FIXED, CERAMIC (F0350) 470PF±20% 100V | | | | | | | | 1 | |
| C422 | DQX704-470UM | . CAPACITOR, FIXED, CERAMIC (F0350) 470PF±20% 100V | | | | | | | | 1 | |
| C423 | DQX704-470UM | . CAPACITOR, FIXED, CERAMIC (F0350) 470PF±20% 100V | | | | | | | | 1 | |
| C424 | DQX704-470UM | . CAPACITOR, FIXED, CERAMIC (F0350) 470PF±20% 100V | | | | | | | | 1 | |
| C425 | DQX704-470UM | . CAPACITOR, FIXED, CERAMIC (F0350) 470PF±20% 100V | | | | | | | | 1 | |
| C426 | DQX704-470UM | . CAPACITOR, FIXED, CERAMIC (F0350) 470PF±20% 100V | | | | | | | | 1 | |
| C427 | DQX704-470UM | . CAPACITOR, FIXED, CERAMIC (F0350) 470PF±20% 100V | | | | | | | | 1 | |
| C428 | MT2R20V4M7M | . CAPACITOR, FIXED, ELECTRO (F2220) 4.7MF±20% 20V | | | | | | | | 1 | |
| CR401 | HP5082-2800 | . DIODE, SEMI-CONDUCTOR (28480) HP5082-2800 | | | | | | | | 1 | |
| CR402 | HP5082-2800 | . DIODE, SEMI-CONDUCTOR (28480) HP5082-2800 | | | | | | | | 1 | |
| CR403 | 1N5471B | . DIODE, SEMI-CONDUCTOR (04713) 1N5471B | | | | | | | | 1 | |
| CR404 | 1N5472B | . DIODE, SEMI-CONDUCTOR (04713) 1N5472B | | | | | | | | 1 | |
| CR405 | 1N5470B | . DIODE, SEMI-CONDUCTOR (04713) 1N5470B | | | | | | | | 1 | |
| L401 | 1025-36 | . REACTOR (99800) 4.7μH±10% | | | | | | | | 1 | |
| L402 | 1025-76 | . REACTOR (99800) 220μH±10% | | | | | | | | 1 | |
| L403 | 1025-36 | . REACTOR (99800) 4.7μH±10% | | | | | | | | 1 | |
| L404 | 1025-36 | . REACTOR (99800) 4.7μH±10% | | | | | | | | 1 | |
| L405 | 15446992 | . REACTOR | | | | | | | | 1 | |
| L406 | 15446993 | . REACTOR | | | | | | | | 1 | |
| L407 | 1025-36 | . REACTOR (99800) 4.7μH±10% | | | | | | | | 1 | |
| L411 | 15446993 | . REACTOR | | | | | | | | 1 | |
| Q401 | 15066647 | . TRANSISTOR | | | | | | | | 1 | |
| Q402 | 3N159 | . TRANSISTOR (86684) 3N159 | | | | | | | | 1 | |
| Q403 | 2N5109 | . TRANSISTOR (04713) 2N5109 | | | | | | | | 1 | |
| R401 | RBX001-1MJ | . RESISTOR, FIXED, FILM (F0350) 1MΩ±5% 1/4W | | | | | | | | 1 | |
| R402 | RC2T680UJ | . RESISTOR, FIXED, FILM (F0114) 680Ω±5% 1/4W | | | | | | | | 1 | |
| R403 | RC2T12KJ | . RESISTOR, FIXED, FILM (F0114) 12KΩ±5% 1/4W | | | | | | | | 1 | |
| R404 | RC2T82KJ | . RESISTOR, FIXED, FILM (F0114) 82KΩ±5% 1/4W | | | | | | | | 1 | |
| R405 | RC2T75KJ | . RESISTOR, FIXED, FILM (F0114) 75KΩ±5% 1/4W | | | | | | | | 1 | |
| R406 | RC2T82KJ | . RESISTOR, FIXED, FILM (F0114) 82KΩ±5% 1/4W | | | | | | | | 1 | |
| R407 | RBX001-820KJ | . RESISTOR, FIXED, FILM (F0350) 820KΩ±5% 1/4W | | | | | | | | 1 | |
| R408 | RC2T47UJ | . RESISTOR, FIXED, FILM (F0114) 47Ω±5% 1/4W | | | | | | | | 1 | |
| R411 | RBX001-390KJ | . RESISTOR, FIXED, FILM (F0350) 390KΩ±5% 1/4W | | | | | | | | 1 | |
| R412 | RC2T18KJ | . RESISTOR, FIXED, FILM (F0114) 8KΩ±5% 1/4W | | | | | | | | 1 | |
| R413 | RC2T680UJ | . RESISTOR, FIXED, FILM (F0114) 680Ω±5% 1/4W | | | | | | | | 1 | |



PL.2. VCO PC BOARD ASSEMBLY

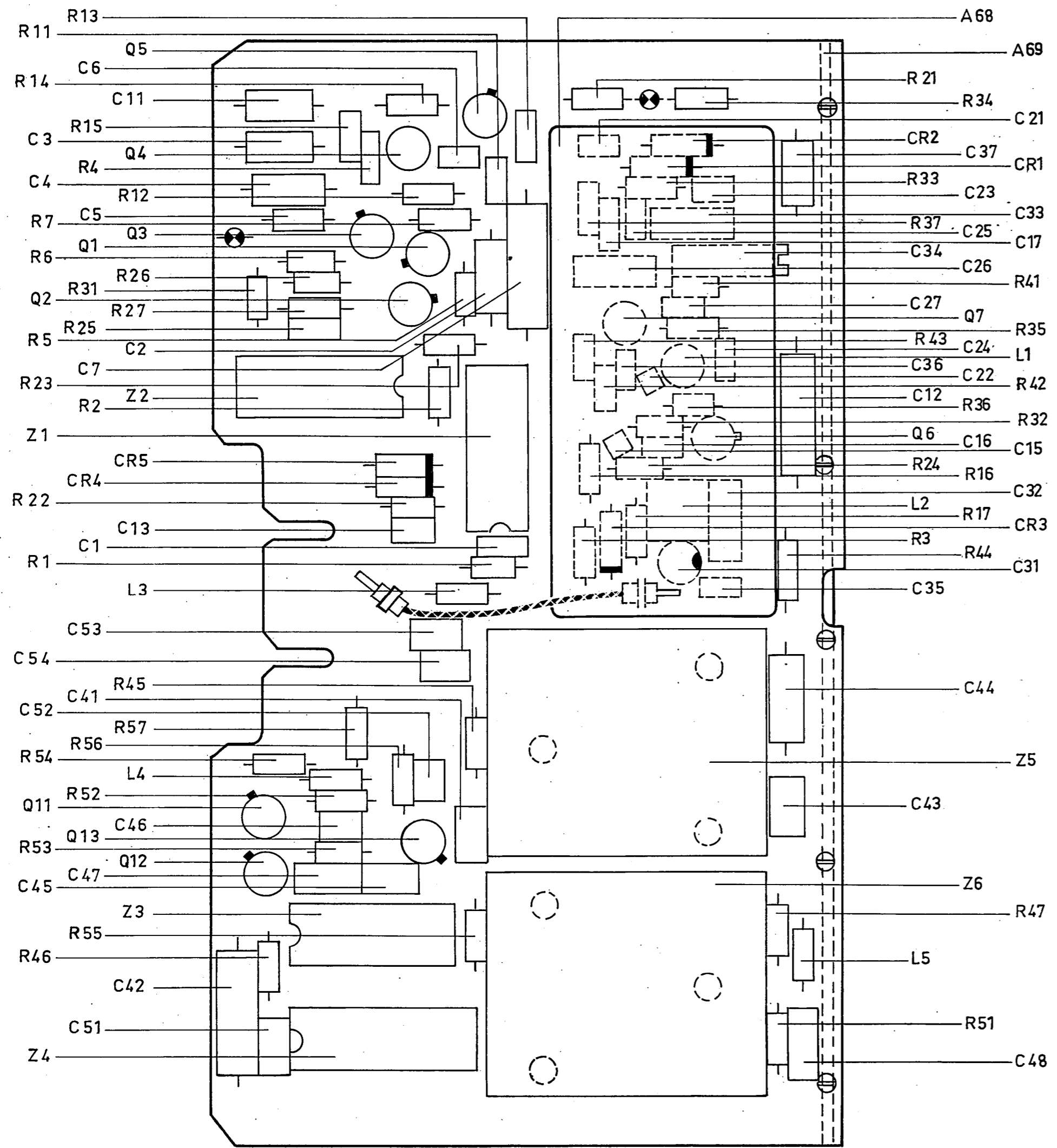
| INDEX | MANUFACTURER'S PART NUMBER | DESCRIPTION | | | | | | | QTY | AP |
|-------|-------------------------------|--|---|---|---|---|---|---|-----|----|
| | | 1 | 2 | 3 | 4 | 5 | 6 | 7 | | |
| A64 | 15449452 | PC BOARD ASSEMBLY (VCO) (SEE PART 2, SECTION 2-4, PLATE 1) (B version)..... | | | | | | | FM | |
| C401 | CN31-5-3K3M | . CAPACITOR, FIXED, CERAMIC (F0115) 3300PF±20% 100V | | | | | | | 1 | |
| C402 | UAZ905-10KM | . CAPACITOR, FIXED, CERAMIC (F0350) 0.01MF±20% 63V | | | | | | | 1 | |
| C403 | CN31-5-470UM | . CAPACITOR, FIXED, CERAMIC (F0115) 470PF±20% 100V | | | | | | | 1 | |
| C404 | MT5A16V68MM | . CAPACITOR, FIXED, ELECTRO (F2220) 68MF±20% 16V | | | | | | | 1 | |
| C405 | MT5R20V4M7M | . CAPACITOR, FIXED, ELECTRO (F2220) 4.7MF±20% 20V | | | | | | | 1 | |
| C406 | DQX704-470UM | . CAPACITOR, FIXED, CERAMIC (F0350) 470PF±20% 100V | | | | | | | 1 | |
| C407 | CN31-5-470UM | . CAPACITOR, FIXED, CERAMIC (F0115) 470PF±20% 100V | | | | | | | 1 | |
| C408 | MT2R20V4M7M | . CAPACITOR, FIXED, ELECTRO (F2220) 4.7MF±20% 20V | | | | | | | 1 | |
| C411 | CN31-5-470UM | . CAPACITOR, FIXED, CERAMIC (F0115) 470PF±20% 100V | | | | | | | 1 | |
| C412 | CN31-5-470UM | . CAPACITOR, FIXED, CERAMIC (F0115) 470PF±20% 100V | | | | | | | 1 | |
| C413 | MT2R20V4M7M | . CAPACITOR, FIXED, ELECTRO (F2220) 4.7MF±20% 20V | | | | | | | 1 | |
| C414 | CN31-5-470UM | . CAPACITOR, FIXED, CERAMIC (F0115) 470PF±20% 100V | | | | | | | 1 | |
| C415 | CN31-5-470UM | . CAPACITOR, FIXED, CERAMIC (F0115) 470PF±20% 100V | | | | | | | 1 | |
| C416 | DQX704-470UM | . CAPACITOR, FIXED, CERAMIC (F0350) 470PF±20% 100V | | | | | | | 1 | |
| C421 | DQX704-470UM | . CAPACITOR, FIXED, CERAMIC (F0350) 470PF±20% 100V | | | | | | | 1 | |
| C422 | DQX704-470UM | . CAPACITOR, FIXED, CERAMIC (F0350) 470PF±20% 100V | | | | | | | 1 | |
| C423 | DQX704-470UM | . CAPACITOR, FIXED, CERAMIC (F0350) 470PF±20% 100V | | | | | | | 1 | |
| C424 | DQX704-470UM | . CAPACITOR, FIXED, CERAMIC (F0350) 470PF±20% 100V | | | | | | | 1 | |
| C425 | DQX704-470UM | . CAPACITOR, FIXED, CERAMIC (F0350) 470PF±20% 100V | | | | | | | 1 | |
| C426 | DQX704-470UM | . CAPACITOR, FIXED, CERAMIC (F0350) 470PF±20% 100V | | | | | | | 1 | |
| C427 | DQX704-470UM | . CAPACITOR, FIXED, CERAMIC (F0350) 470PF±20% 100V | | | | | | | 1 | |
| C428 | MT2R20V4M7M | . CAPACITOR, FIXED, ELECTRO (F2220) 4.7MF±20% 20V | | | | | | | 1 | |
| CR401 | HP5082-2800 | . DIODE, SEMI-CONDUCTOR (28480) HP5082-2800 | | | | | | | 1 | |
| CR402 | HP5082-2800 | . DIODE, SEMI-CONDUCTOR (28480) HP5082-2800 | | | | | | | 1 | |
| CR403 | 1N5471B | . DIODE, SEMI-CONDUCTOR (04713) 1N5471B | | | | | | | 1 | |
| CR404 | 1N5472B | . DIODE, SEMI-CONDUCTOR (04713) 1N5472B | | | | | | | 1 | |
| CR405 | 1N5470B | . DIODE, SEMI-CONDUCTOR (04713) 1N5470B | | | | | | | 1 | |
| L401 | 1025-36 | . REACTOR (99800) 4.7μH±10% | | | | | | | 1 | |
| L402 | 1025-76 | . REACTOR (99800) 220μH±10% | | | | | | | 1 | |
| L403 | 1025-36 | . REACTOR (99800) 4.7μH±10% | | | | | | | 1 | |
| L404 | 1025-36 | . REACTOR (99800) 4.7μH±10% | | | | | | | 1 | |
| L405 | 15446992 | . REACTOR..... | | | | | | | 1 | |
| L406 | 15446993 | . REACTOR..... | | | | | | | 1 | |
| L407 | 1025-36 | . REACTOR (99800) 4.7μH±10% | | | | | | | 1 | |
| L411 | 15446993 | . REACTOR..... | | | | | | | 1 | |
| Q401 | 15066647 | . TRANSISTOR..... | | | | | | | 1 | |
| Q402 | 3N159 | . TRANSISTOR (86684) 3N159 | | | | | | | 1 | |
| Q403 | 2N5109 | . TRANSISTOR (04713) 2N5109 | | | | | | | 1 | |
| R401 | RBX001-1MJ | . RESISTOR, FIXED, FILM (F0350) 1MΩ±5% 1/4W | | | | | | | 1 | |
| R402 | RC2T680UJ | . RESISTOR, FIXED, FILM (F0114) 680Ω±5% 1/4W | | | | | | | 1 | |
| R403 | RC2T12KJ | . RESISTOR, FIXED, FILM (F0114) 12KΩ±5% 1/4W | | | | | | | 1 | |
| R404 | RC2T82KJ | . RESISTOR, FIXED, FILM (F0114) 82KΩ±5% 1/4W | | | | | | | 1 | |
| R405 | RC2T75KJ | . RESISTOR, FIXED, FILM (F0114) 75KΩ±5% 1/4W | | | | | | | 1 | |
| R406 | RC2T82KJ | . RESISTOR, FIXED, FILM (F0114) 82KΩ±5% 1/4W | | | | | | | 1 | |
| R407 | RBX001-820KJ | . RESISTOR, FIXED, FILM (F0350) 820KΩ±5% 1/4W | | | | | | | 1 | |
| R408 | RC2T47UJ | . RESISTOR, FIXED, FILM (F0114) 47Ω±5% 1/4W | | | | | | | 1 | |
| R411 | RBX001-390KJ | . RESISTOR, FIXED, FILM (F0350) 390KΩ±5% 1/4W | | | | | | | 1 | |
| R412 | RC2T18KJ | . RESISTOR, FIXED, FILM (F0114) 18KΩ±5% 1/4W | | | | | | | 1 | |
| R413 | RC2T680UJ | . RESISTOR, FIXED, FILM (F0114) 680Ω±5% 1/4W | | | | | | | 1 | |
| R414 | RC2T39KJ | . RESISTOR, FIXED, FILM (F0114) 39KΩ±5% 1/4W | | | | | | | 1 | |
| R415 | RC2T3K9J | . RESISTOR, FIXED, FILM (F0114) 3.9KΩ±5% 1/4W | | | | | | | 1 | |
| R416 | RC2T47KJ | . RESISTOR, FIXED, FILM (F0114) 47KΩ±5% 1/4W | | | | | | | 1 | |
| R417 | RC2T220KJ | . RESISTOR, FIXED, FILM (F0114) 220KΩ±5% 1/4W | | | | | | | 1 | |
| R421 | RC2T47UJ | . RESISTOR, FIXED, FILM (F0114) 47Ω±5% 1/4W | | | | | | | 1 | |

| INDEX | MANUFACTURER'S PART NUMBER | DESCRIPTION | | | | | | | QTY | AP |
|-------|-------------------------------|-------------|-------------------------------|---------------|-----------|------|---|---|-----|----|
| | | 1 | 2 | 3 | 4 | 5 | 6 | 7 | | |
| R422 | RC2T1KJ | . | RESISTOR, FIXED, FILM (F0114) | 1K Ω | $\pm 5\%$ | 1/4W | | | 1 | |
| R423 | RC2T56UJ | . | RESISTOR, FIXED, FILM (F0114) | 56 Ω | $\pm 5\%$ | 1/4W | | | 1 | |
| R424 | RC2T150UJ | . | RESISTOR, FIXED, FILM (F0114) | 150 Ω | $\pm 5\%$ | 1/4W | | | 1 | |
| R425 | RC2T3K3J | . | RESISTOR, FIXED, FILM (F0114) | 3.3K Ω | $\pm 5\%$ | 1/4W | | | 1 | |
| R426 | RC2T390UJ | . | RESISTOR, FIXED, FILM (F0114) | 390 Ω | $\pm 5\%$ | 1/4W | | | 1 | |
| R427 | RC2T22UJ | . | RESISTOR, FIXED, FILM (F0114) | 22 Ω | $\pm 5\%$ | 1/4W | | | 1 | |



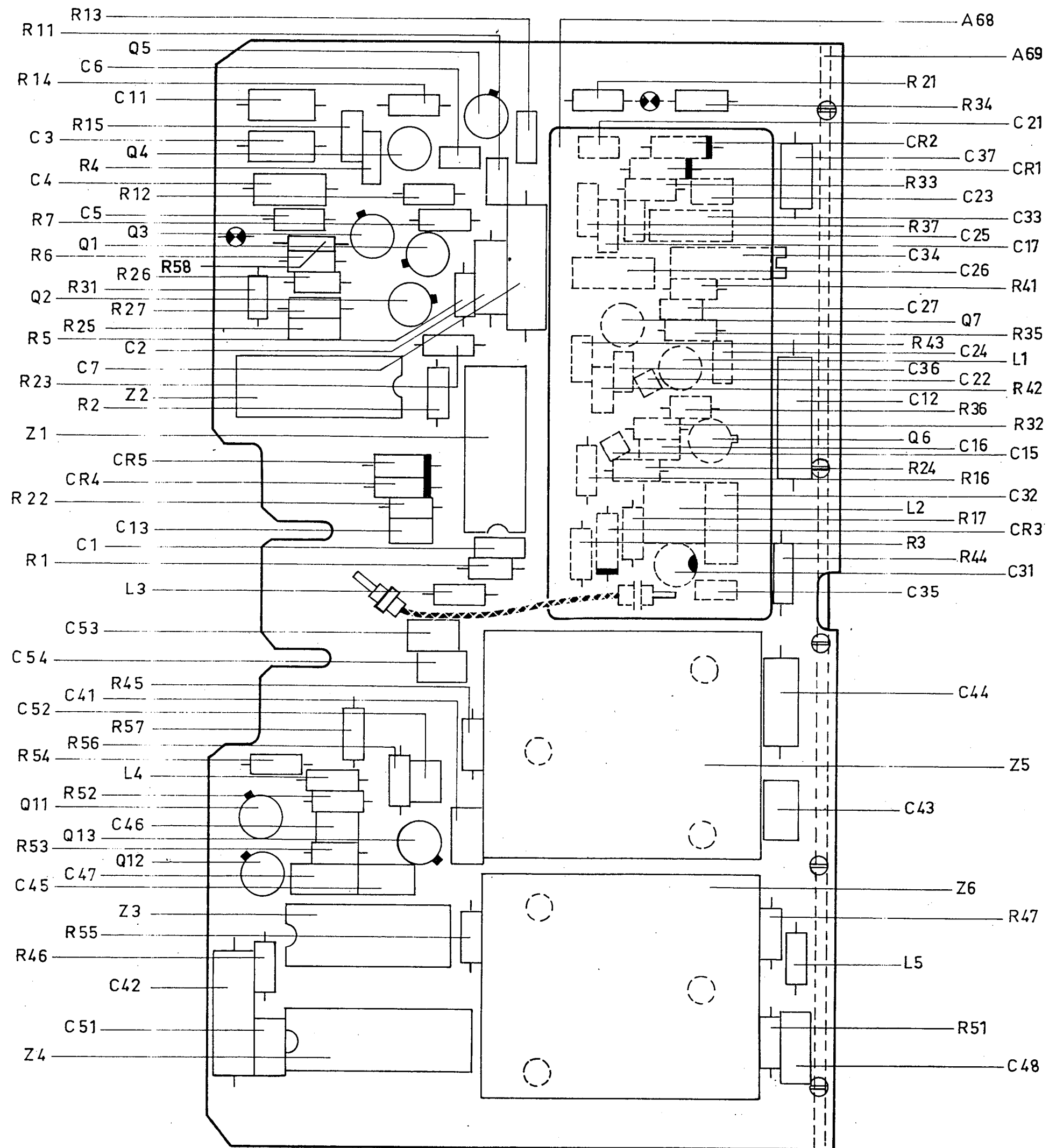
PL.1.FREQUENCY SELECTOR PC BOARD ASSEMBLY

| DRAWING ITEM | MANUFACTURER'S PART NUMBER | DESCRIPTION | 1 2 3 4 5 6 7 | | | | | | | Qty | Proc. |
|-----------------|-------------------------------|--|---------------|--|--|--|--|--|--|----------------|-------|
| | | | | | | | | | | | |
| A15 | 15028196 | PC BOARD ASSEMBLY (FREQUENCY SELECTOR) (SEE PART 2, SECTION 02, PLATE 01) | | | | | | | | F ^M | |
| C1 | UFW606-22KJL | . CAPACITOR, FIXED, CERAMIC (F0350) 0,022MF-20+80% 16V | | | | | | | | 1 | |
| C2 | UFW606-22KJL | . CAPACITOR, FIXED, CERAMIC (F0350) 0,022MF-20+80% 16V | | | | | | | | 1 | |
| C3 | CN2-5-220UK | . CAPACITOR, FIXED, CERAMIC (F0115) 220PF±10% 500V | | | | | | | | 1 | |
| C4 | CN2-5-220UK | . CAPACITOR, FIXED, CERAMIC (F0115) 220PF±10% 500V | | | | | | | | 1 | |
| C5 | CN2-5-220UK | . CAPACITOR, FIXED, CERAMIC (F0115) 220PF±10% 500V | | | | | | | | 1 | |
| C6 | CN2-5-100UK | . CAPACITOR, FIXED, CERAMIC (F0115) 100PF±10% 500V | | | | | | | | 1 | |
| C7 | C021-16V15MFK | . CAPACITOR, FIXED, ELECTRO (F0115) 15MF±10% 16V | | | | | | | | 1 | |
| C8 | CN2-5-220UK | . CAPACITOR, FIXED, CERAMIC (F0115) 220PF±10% 500V | | | | | | | | 1 | |
| C9 | CN31-5-2K2K | . CAPACITOR, FIXED, CERAMIC (F0115) 2200PF±10% 100V | | | | | | | | 1 | |
| C12 | CN2-5-220UK | . CAPACITOR, FIXED, CERAMIC (F0115) 220PF±10% 500V | | | | | | | | 1 | |
| C13 | CN2-5-56UK | . CAPACITOR, FIXED, CERAMIC (F0115) 56PF±10% 500V | | | | | | | | 1 | |
| Q1 | 2N2907 | . TRANSISTOR (F0114) 2N2907 | | | | | | | | 1 | |
| Q2 | 2N2222 | . TRANSISTOR (F0115) 2N2222 | | | | | | | | 1 | |
| R1 | RC2T220KJ | . RESISTOR, FIXED, FILM (F0114) 220KΩ±5% 1/4W | | | | | | | | 1 | |
| R2 | RC2T15KJ | . RESISTOR, FIXED, FILM (F0114) 15KΩ±5% 1/4W | | | | | | | | 1 | |
| R3 | RC2T27KJ | . RESISTOR, FIXED, FILM (F0114) 27KΩ±5% 1/4W | | | | | | | | 1 | |
| R4 | RC2T10KJ | . RESISTOR, FIXED, FILM (F0114) 10KΩ±5% 1/4W | | | | | | | | 1 | |
| R5 | RC2T22KJ | . RESISTOR, FIXED, FILM (F0114) 22KΩ±5% 1/4W | | | | | | | | 1 | |
| R6 | RC2T12KJ | . RESISTOR, FIXED, FILM (F0114) 12KΩ±5% 1/4W | | | | | | | | 1 | |
| R7 | RC2TAAJUSTER | . RESISTOR, FIXED, FILM (F0114) 27Ωa120KΩ±5% 1/4W | | | | | | | | 1 | |
| R8 | RC2TAAJUSTER | . RESISTOR, FIXED, FILM (F0114) 27Ωa120KΩ±5% 1/4W | | | | | | | | 1 | |
| R9 | RC2T9K53G | . RESISTOR, FIXED, FILM (F0114) 9,53KΩ±2% 1/4W | | | | | | | | 1 | |
| R10 | RC2T15KJ | . RESISTOR, FIXED, FILM (F0114) 15KΩ±5% 1/4W | | | | | | | | 1 | |
| R12 | RC2T1K21G | . RESISTOR, FIXED, FILM (F0114) 1,21KΩ±2% 1/4W | | | | | | | | 1 | |
| R13 | RC2T1K96G | . RESISTOR, FIXED, FILM (F0114) 1,96KΩ±2% 1/4W | | | | | | | | 1 | |
| R14 | RC2T3K32G | . RESISTOR, FIXED, FILM (F0114) 3,32KΩ±2% 1/4W | | | | | | | | 1 | |
| R15 | RC2T1K54G | . RESISTOR, FIXED, FILM (F0114) 1,54KΩ±2% 1/4W | | | | | | | | 1 | |
| R16 | RC2T1KJ | . RESISTOR, FIXED, FILM (F0114) 1KΩ±5% 1/4W | | | | | | | | 1 | |
| R17 | RC2T8K2J | . RESISTOR, FIXED, FILM (F0114) 8,2KΩ±5% 1/4W | | | | | | | | 1 | |
| R18 | RC2T562UG | . RESISTOR, FIXED, FILM (F0114) 562Ω±2% 1/4W | | | | | | | | 1 | |
| XXX1 | C0156 | . HOLDER, SEMI-CONDUCTOR (F2779) | | | | | | | | 2 | |
| Z1 | CD4009AE | . MICROSTRUCTURE, LOGIC (86684) CD4009AE | | | | | | | | 1 | |
| Z2 | CD4018AE | . MICROSTRUCTURE, LOGIC (86684) CD4018AE | | | | | | | | 1 | |
| Z3 | CD4002AE | . MICROSTRUCTURE, LOGIC (86684) CD4002AE | | | | | | | | 1 | |
| Z4 | CD4018AE | . MICROSTRUCTURE, LOGIC (86684) CD4018AE | | | | | | | | 1 | |
| Z5 | CD4001AE | . MICROSTRUCTURE, LOGIC (86684) CD4001AE | | | | | | | | 1 | |
| Z6 | CD4018AE | . MICROSTRUCTURE, LOGIC (86684) CD4018AE | | | | | | | | 1 | |
| Z7 | CD4001AE | . MICROSTRUCTURE, LOGIC (86684) CD4001AE | | | | | | | | 1 | |
| Z11 | 15066762 | . MICROSTRUCTURE, LOGIC | | | | | | | | 1 | |
| Z12 | CD4000AE | . MICROSTRUCTURE, LOGIC (86684) CD4000AE | | | | | | | | 1 | |
| Z13 | CD4013AE | . MICROSTRUCTURE, LOGIC (86684) CD4013AE | | | | | | | | 1 | |



PL.1. SYNTHESIZER PC BOARD ASSEMBLY N°1

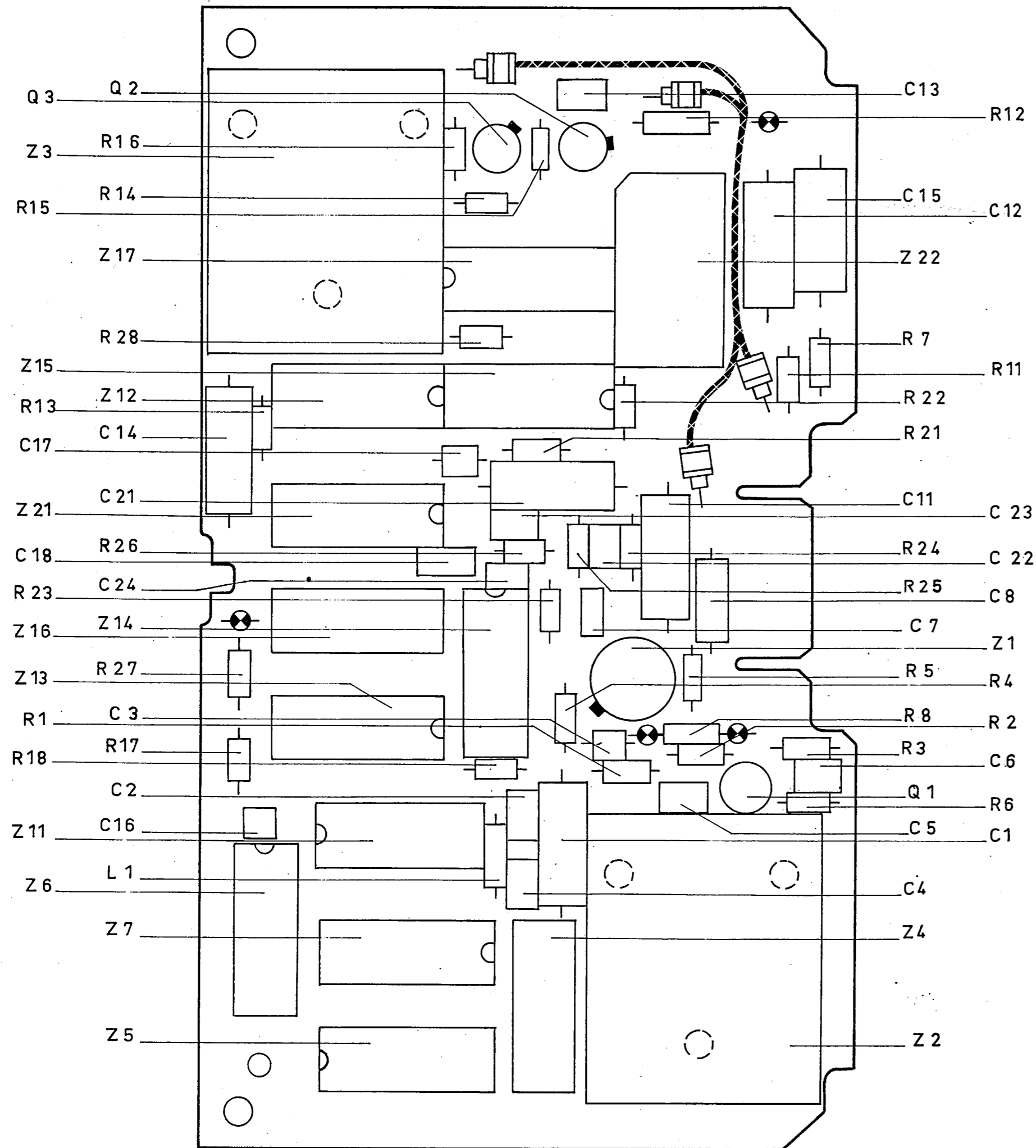
| DRAWING ITEM | MANUFACTURER'S PART NUMBER | DESCRIPTION | 1 2 3 4 5 6 7 | | | | | | | Qty | Proc. |
|-----------------|-------------------------------|---|---------------|--|--|--|--|--|--|-----|-------|
| | | | | | | | | | | | |
| A16 | 15028197 | PC BOARD ASSEMBLY (SYNTHESIZER BOARD No.1) (SEE PART 2, SECTION 02, PLATE 01)(A VERSION) | | | | | | | | 1 | FM |
| A68 | 15447320 | . COVER | | | | | | | | 1 | |
| A69 | 15447321 | . STIFFENER | | | | | | | | 1 | |
| C1 | CN2-5-68UM | . CAPACITOR, FIXED, CERAMIC (F0115) 68PF±20% 500V | | | | | | | | 1 | |
| C2 | SBM4A16V22MM | . CAPACITOR, FIXED, ELECTRO (F3422) 22MF±20% 16V | | | | | | | | 1 | |
| C3 | SBM4A16V22MM | . CAPACITOR, FIXED, ELECTRO (F3422) 22MF±20% 16V | | | | | | | | 1 | |
| C4 | SBM4A16V22MM | . CAPACITOR, FIXED, ELECTRO (F3422) 22MF±20% 16V | | | | | | | | 1 | |
| C5 | UTZ2906-33KM | . CAPACITOR, FIXED, CERAMIC (F0350) 0,033MF±10% 63V | | | | | | | | 1 | |
| C6 | CN31-5-10KM | . CAPACITOR, FIXED, CERAMIC (F0115) 0,01MF±20% 100V | | | | | | | | 1 | |
| C7 | CTS13P20V15MM | . CAPACITOR, FIXED, ELECTRO (F0115) 15MF±20% 20V | | | | | | | | 1 | |
| C11 | SBM4A16V22MM | . CAPACITOR, FIXED, ELECTRO (F3422) 22MF±20% 16V | | | | | | | | 1 | |
| C12 | CTS13P16V22MM | . CAPACITOR, FIXED, ELECTRO (F0115) 22MF±20% 16V | | | | | | | | 1 | |
| C13 | CN31-5-1KM | . CAPACITOR, FIXED, CERAMIC (F0115) 1000PF±20% 100V | | | | | | | | 1 | |
| C15 | PLZ932D4K7K | . CAPACITOR, FIXED, CERAMIC (F0350) 4700PF±10% 63V | | | | | | | | 1 | |
| C16 | CN31-5-470UK | . CAPACITOR, FIXED, CERAMIC (F0115) 470PF±10% 100V | | | | | | | | 1 | |
| C17 | CN31-5-10KK | . CAPACITOR, FIXED, CERAMIC (F0115) 0,01MF±10% 100V | | | | | | | | 1 | |
| C21 | DQX704-470UM | . CAPACITOR, FIXED, CERAMIC (F0350) 470PF±20% 100V | | | | | | | | 1 | |
| C22 | PLZ932D4K7K | . CAPACITOR, FIXED, CERAMIC (F0350) 4700PF±10% 63V | | | | | | | | 1 | |
| C23 | CN31-5-470UM | . CAPACITOR, FIXED, CERAMIC (F0115) 470PF±20% 100V | | | | | | | | 1 | |
| C24 | CE13-3C100UK | . CAPACITOR, FIXED, CERAMIC (F0115) 100PF±10% 100V | | | | | | | | 1 | |
| C25 | CN31-5-470UM | . CAPACITOR, FIXED, CERAMIC (F0115) 470PF±20% 100V | | | | | | | | 1 | |
| C26 | CHP110-22UK | . CAPACITOR, FIXED, CERAMIC (F0350) 22PF±10% 500V | | | | | | | | 1 | |
| C27 | CLU905-180UJ | . CAPACITOR, FIXED, CERAMIC (F0350) 180PF±5% 63V | | | | | | | | 1 | |
| C31 | 5STRIK003-3-5-11N470 | . CAPACITOR, VARIABLE (D8532) 3,5PF à 11PF | | | | | | | | 1 | |
| C32 | CE3-3H33UK | . CAPACITOR, FIXED, CERAMIC (F0115) 33PF±10% 250V | | | | | | | | 1 | |
| C33 | CHP110-22UK | . CAPACITOR, FIXED, CERAMIC (F0350) 22PF±10% 500V | | | | | | | | 1 | |
| C34 | MVM003W | . CAPACITOR, VARIABLE (73899) | | | | | | | | 1 | |
| C35 | CLU904-120UK | . CAPACITOR, FIXED, CERAMIC (F0350) 120PF±10% 63V | | | | | | | | 1 | |
| C36 | CN31-5-470UM | . CAPACITOR, FIXED, CERAMIC (F0115) 470PF±20% 100V | | | | | | | | 1 | |
| C37 | SBM4A25V10MM | . CAPACITOR, FIXED, ELECTRO (F3422) 10MF±20% 25V | | | | | | | | 1 | |
| C41 | UAZ905-10KM | . CAPACITOR, FIXED, CERAMIC (F0350) 0,01MF±20% 63V | | | | | | | | 1 | |
| C42 | CTS13P16V22MM | . CAPACITOR, FIXED, ELECTRO (F0115) 22MF±20% 16V | | | | | | | | 1 | |
| C43 | UAZ905-47KM | . CAPACITOR, FIXED, CERAMIC (F0350) 0,047MF±20% 63V | | | | | | | | 1 | |
| C44 | SBM4A16V22MM | . CAPACITOR, FIXED, ELECTRO (F3422) 22MF±20% 16V | | | | | | | | 1 | |
| C45 | CN2-5-33UM | . CAPACITOR, FIXED, CERAMIC (F0115) 33PF±20% 500V | | | | | | | | 1 | |
| C46 | CN2-5-220UM | . CAPACITOR, FIXED, CERAMIC (F0115) 220PF±20% 500V | | | | | | | | 1 | |
| C47 | CN2-5-47UM | . CAPACITOR, FIXED, CERAMIC (F0115) 47PF±20% 500V | | | | | | | | 1 | |
| C48 | CE2-3-22UM | . CAPACITOR, FIXED, CERAMIC (F0115) 22PF±20% 500V | | | | | | | | 1 | |
| C51 | UAZ905-47KM | . CAPACITOR, FIXED, CERAMIC (F0350) 0,047MF±20% 63V | | | | | | | | 1 | |
| C52 | CN2-5-68UM | . CAPACITOR, FIXED, CERAMIC (F0115) 68PF±20% 500V | | | | | | | | 1 | |
| C53 | UAZ905-47KM | . CAPACITOR, FIXED, CERAMIC (F0350) 0,047MF±20% 63V | | | | | | | | 1 | |
| C54 | UAZ905-47KM | . CAPACITOR, FIXED, CERAMIC (F0350) 0,047MF±20% 63V | | | | | | | | 1 | |
| CR1 | 1N5446A | . DIODE, SEMI-CONDUCTOR (04713) 1N5446A | | | | | | | | 1 | |
| CR2 | 1N5444A | . DIODE, SEMI-CONDUCTOR (04713) 1N5444A | | | | | | | | 1 | |
| CR3 | 1N823A | . DIODE, SEMI-CONDUCTOR (F4759) 1N823A | | | | | | | | 1 | |
| CR4 | 1N4148 | . DIODE, SEMI-CONDUCTOR (F0115) 1N4148 | | | | | | | | 1 | |
| CR5 | 1N4148 | . DIODE, SEMI-CONDUCTOR (F0115) 1N4148 | | | | | | | | 1 | |
| L1 | 15446995 | . REACTOR | | | | | | | | 1 | |
| L2 | 15446996 | . REACTOR | | | | | | | | 1 | |
| L3 | 1025-20 | . REACTOR (99800) 1μH±10% | | | | | | | | 1 | |



PL.2. SYNTHESIZER PC BOARD ASSEMBLY N°1

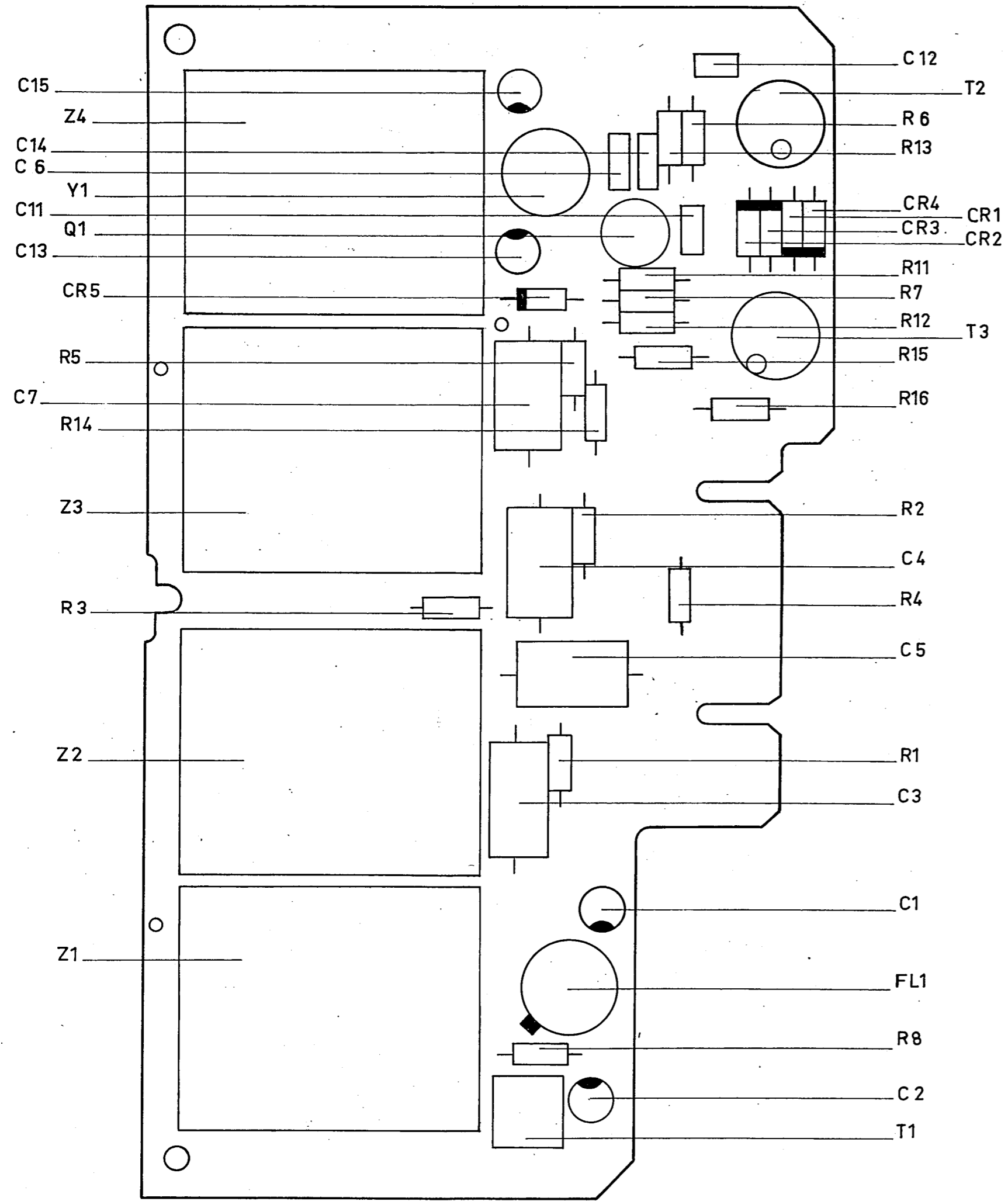
| INDEX | MANUFACTURER'S PART NUMBER | DESCRIPTION | | | | | | QTY | AP |
|-------|-------------------------------|---|---|---|---|---|---|-----|----|
| | | 1 | 2 | 3 | 4 | 5 | 6 | | |
| A18 | 15030110 | PC BOARD ASSEMBLY (SYNTHESIZER BOARD N°1) (SEE PART 2, SECTION 02, PLATE 01) (B version)..... | | | | | | FM | |
| A68 | 15447320 | . COVER..... | | | | | | 1 | |
| A69 | 15447321 | . STIFFENER..... | | | | | | 1 | |
| C1 | CN2-5-68UM | . CAPACITOR, FIXED, CERAMIC (F0115) 68PF±20% 500V | | | | | | 1 | |
| C2 | SBM4A16V22MM | . CAPACITOR, FIXED, ELECTRO (F3222) 22MF±20% 16V | | | | | | 1 | |
| C3 | SBM4A16V22MM | . CAPACITOR, FIXED, ELECTRO (F3422) 22MF±20% 16V | | | | | | 1 | |
| C4 | SBM4A16V22MM | . CAPACITOR, FIXED, ELECTRO (F3422) 22MF±20% 16V | | | | | | 1 | |
| C5 | CN31-5-33KK | . CAPACITOR, FIXED, CERAMIC (F0350) 0,033MF±10% 100V | | | | | | 1 | |
| C6 | CN31-5-10KM | . CAPACITOR, FIXED, CERAMIC (F0115) 0,01MF±20% 100V | | | | | | 1 | |
| C7 | CTS13P20V15MM | . CAPACITOR, FIXED, ELECTRO (F0115) 15MF±20% 20V | | | | | | 1 | |
| C11 | SBM4A16V22MM | . CAPACITOR, FIXED, ELECTRO (F3422) 22MF±20% 16V | | | | | | 1 | |
| C12 | CTS13P16V22MM | . CAPACITOR, FIXED, ELECTRO (F0115) 22MF±20% 16V | | | | | | 1 | |
| C13 | CN31-5-1KM | . CAPACITOR, FIXED, CERAMIC (F0115) 1000PF±20% 100V | | | | | | 1 | |
| C15 | PLZ932D4K7K | . CAPACITOR, FIXED, CERAMIC (F0350) 4700PF±10% 63V | | | | | | 1 | |
| C16 | CN31-5-470UK | . CAPACITOR, FIXED, CERAMIC (F0115) 470PF±10% 100V | | | | | | 1 | |
| C17 | CN31-5-10KK | . CAPACITOR, FIXED, CERAMIC (F0115) 0,01MF±10% 100V | | | | | | 1 | |
| C21 | DQX704-470UM | . CAPACITOR, FIXED, CERAMIC (F0350) 470PF±20% 100V | | | | | | 1 | |
| C22 | PLZ932D4K7K | . CAPACITOR, FIXED, CERAMIC (F0350) 4700PF±10% 63V | | | | | | 1 | |
| C23 | CN31-5-470UM | . CAPACITOR, FIXED, CERAMIC (F0115) 470PF±20% 100V | | | | | | 1 | |
| C24 | CE13-3C100UK | . CAPACITOR, FIXED, CERAMIC (F0115) 100PF±10% 100V | | | | | | 1 | |
| C25 | CN31-5-470UM | . CAPACITOR, FIXED, CERAMIC (F0115) 470PF±20% 100V | | | | | | 1 | |
| C26 | CHP110-22UK | . CAPACITOR, FIXED, CERAMIC (F0350) 22PF±10% 500V | | | | | | 1 | |
| C27 | CLU905-180UJ | . CAPACITOR, FIXED, CERAMIC (F0350) 180PF±5% 63V | | | | | | 1 | |
| C31 | 5STRIK004-3-5-10N470 | . CAPACITOR, VARIABLE (DB532) 3,5PF à 10PF | | | | | | 1 | |
| C32 | CE3-3H33UK | . CAPACITOR, FIXED, CERAMIC (F0115) 33PF±10% 250V | | | | | | 1 | |
| C33 | CHP110-22UK | . CAPACITOR, FIXED, CERAMIC (F0350) 22PF±10% 500V | | | | | | 1 | |
| C34 | MVM003W | . CAPACITOR, VARIABLE (73899)..... | | | | | | 1 | |
| C35 | CLU904-120UK | . CAPACITOR, FIXED, CERAMIC (F0350) 120PF±10% 63V | | | | | | 1 | |
| C36 | CN31-5-470UM | . CAPACITOR, FIXED, CERAMIC (F0115) 470PF±20% 100V | | | | | | 1 | |
| C37 | SBM4A25V10MM | . CAPACITOR, FIXED, ELECTRO (F3422) 10MF±20% 25V | | | | | | 1 | |
| C41 | UAZ905-10KM | . CAPACITOR, FIXED, CERAMIC (F0350) 0,01MF±20% 63V | | | | | | 1 | |
| C42 | CTS13P16V22MM | . CAPACITOR, FIXED, ELECTRO (F0115) 22MF±20% 16V | | | | | | 1 | |
| C43 | UAZ905-47KM | . CAPACITOR, FIXED, CERAMIC (F0350) 0,047MF±20% 63V | | | | | | 1 | |
| C44 | SBM4A16V22MM | . CAPACITOR, FIXED, ELECTRO (F3422) 22MF±20% 16V | | | | | | 1 | |
| C45 | CN2-5-33UM | . CAPACITOR, FIXED, CERAMIC (F0115) 33PF±20% 500V | | | | | | 1 | |
| C46 | CN2-5-220UM | . CAPACITOR, FIXED, CERAMIC (F0115) 220PF±20% 500V | | | | | | 1 | |
| C47 | CN2-5-47UM | . CAPACITOR, FIXED, CERAMIC (F0115) 47PF±20% 500V | | | | | | 1 | |
| C48 | CE | . CAPACITOR, FIXED, CERAMIC (F0115) 22PF±10% 250V | | | | | | 1 | |
| C51 | UAZ905-47KM | . CAPACITOR, FIXED, CERAMIC (F0350) 0,047MF±20% 63V | | | | | | 1 | |
| C52 | CN2-5-68UM | . CAPACITOR, FIXED, CERAMIC (F0115) 68PF±20% 500V | | | | | | 1 | |
| C53 | UAZ905-47KM | . CAPACITOR, FIXED, CERAMIC (F0350) 0,047MF±20% 63V | | | | | | 1 | |
| C54 | UAZ905-47KM | . CAPACITOR, FIXED, CERAMIC (F0350) 0,047MF±20% 63V | | | | | | 1 | |
| CR1 | 1N5446A | . DIODE, SEMI-CONDUCTOR (04713) 1N5446A | | | | | | 1 | |
| CR2 | 1N5444A | . DIODE, SEMI-CONDUCTOR (04713) 1N5444A | | | | | | 1 | |
| CR3 | 1N823A | . DIODE, SEMI-CONDUCTOR (F4759) 1N823A | | | | | | 1 | |
| CR4 | 1N4148 | . DIODE, SEMI-CONDUCTOR (F0115) 1N4148 | | | | | | 1 | |
| CR5 | 1N4148 | . DIODE, SEMI-CONDUCTOR (F0115) 1N4148 | | | | | | 1 | |
| L1 | 15446995 | . REACTOR..... | | | | | | 1 | |
| L2 | 15446996 | . REACTOR..... | | | | | | 1 | |
| L3 | 1025-20 | . REACTOR (99800) 1μH±10% | | | | | | 1 | |
| L4 | 1025-20 | . REACTOR (99800) 1μH±10% | | | | | | 1 | |
| L5 | 1025-94 | . REACTOR (99800) 0,1μH±10% | | | | | | 1 | |
| Q1 | 2N2907 | . TRANSISTOR (F0115) 2N2907 | | | | | | 1 | |
| Q2 | 2N2222A1 | . TRANSISTOR (F0115) 2N2222A1 | | | | | | 1 | |
| Q3 | 2N2222A1 | . TRANSISTOR (F0115) 2N2222A1 | | | | | | 1 | |

| INDEX | MANUFACTURER'S PART NUMBER | DESCRIPTION | | | | | | | QTY | AP | |
|-------|-------------------------------|-------------|-------------------------------|-----------------------------|---|---|---|---|-----|----|--|
| | | 1 | 2 | 3 | 4 | 5 | 6 | 7 | | | |
| Q4 | MEM563C | . | TRANSISTOR (A2952) | MEM563C | | | | | | 1 | |
| Q5 | MEM563C | . | TRANSISTOR (A2952) | MEM563C | | | | | | 1 | |
| Q6 | 2N918-1 | . | TRANSISTOR (F0115) | 2N918-1 | | | | | | 1 | |
| Q7 | 15066664 | . | TRANSISTOR..... | | | | | | | 1 | |
| Q11 | 2N2907 | . | TRANSISTOR (F0115) | 2N2907 | | | | | | 1 | |
| Q12 | 2N2222 | . | TRANSISTOR (F0115) | 2N2222 | | | | | | 1 | |
| Q13 | 2N2222 | . | TRANSISTOR (F0115) | 2N2222 | | | | | | 1 | |
| Z1 | CD4013AE | . | MICROSTRUCTURE, LOGIC (86684) | CD4013AE | | | | | | 1 | |
| Z2 | CD4013AE | . | MICROSTRUCTURE, LOGIC (86684) | CD4013AE | | | | | | 1 | |
| Z3 | SN8420N | . | MICROSTRUCTURE, LOGIC (F2210) | SN8420N | | | | | | 1 | |
| Z4 | U7B93L00-51X | . | MICROSTRUCTURE (07263) | U7B93L00-51X | | | | | | 1 | |
| Z5 | 15028198 | . | LP MIXER MODULE..... | | | | | | | 1 | |
| Z6 | 15028199 | . | DIVIDER BY 4 MODULE..... | | | | | | | 1 | |
| R1 | RC2T100KJ | . | RESISTOR, FIXED, FILM (F0114) | 100K Ω \pm 5% 1/4W | | | | | | 1 | |
| R2 | RC2T33KJ | . | RESISTOR, FIXED, FILM (F0114) | 33K Ω \pm 5% 1/4W | | | | | | 1 | |
| R3 | RC6T390UJ | . | RESISTOR, FIXED, FILM (F0114) | 390 Ω \pm 5% 1/4W | | | | | | 1 | |
| R4 | RC2T1KJ | . | RESISTOR, FIXED, FILM (F0114) | 1K Ω \pm 5% 1/4W | | | | | | 1 | |
| R5 | RC2T2K2J | . | RESISTOR, FIXED, FILM (F0114) | 2,2K Ω \pm 5% 1/4W | | | | | | 1 | |
| R6 | RC2T4K7J | . | RESISTOR, FIXED, FILM (F0114) | 4,7K Ω \pm 5% 1/4W | | | | | | 1 | |
| R7 | RC2T56KJ | . | RESISTOR, FIXED, FILM (F0114) | 56K Ω \pm 5% 1/4W | | | | | | 1 | |
| R11 | RC2T2K2J | . | RESISTOR, FIXED, FILM (F0114) | 2,2K Ω \pm 5% 1/4W | | | | | | 1 | |
| R12 | RC2T10KJ | . | RESISTOR, FIXED, FILM (F0114) | 10K Ω \pm 5% 1/4W | | | | | | 1 | |
| R13 | RC2T18KJ | . | RESISTOR, FIXED, FILM (F0114) | 18K Ω \pm 5% 1/4W | | | | | | 1 | |
| R14 | RC2T8K2J | . | RESISTOR, FIXED, FILM (F0114) | 8,2K Ω \pm 5% 1/4W | | | | | | 1 | |
| R15 | RC2T2K2J | . | RESISTOR, FIXED, FILM (F0114) | 2,2K Ω \pm 5% 1/4W | | | | | | 1 | |
| R16 | RC2T560UJ | . | RESISTOR, FIXED, FILM (F0114) | 560 Ω \pm 5% 1/4W | | | | | | 1 | |
| R17 | RC2T120UJ | . | RESISTOR, FIXED, FILM (F0114) | 120 Ω \pm 5% 1/4W | | | | | | 1 | |
| R21 | RC2T15KJ | . | RESISTOR, FIXED, FILM (F0114) | 15K Ω \pm 5% 1/4W | | | | | | 1 | |
| R22 | RC2T10KJ | . | RESISTOR, FIXED, FILM (F0114) | 10K Ω \pm 5% 1/4W | | | | | | 1 | |
| R23 | RC2T15KJ | . | RESISTOR, FIXED, FILM (F0114) | 15K Ω \pm 5% 1/4W | | | | | | 1 | |
| R24 | RC2T15KJ | . | RESISTOR, FIXED, FILM (F0114) | 15K Ω \pm 5% 1/4W | | | | | | 1 | |
| R25 | RC2T18KJ | . | RESISTOR, FIXED, FILM (F0114) | 18K Ω \pm 5% 1/4W | | | | | | 1 | |
| R26 | RC2T9K1J | . | RESISTOR, FIXED, FILM (F0114) | 9,1K Ω \pm 5% 1/4W | | | | | | 1 | |
| R27 | RC2T18KJ | . | RESISTOR, FIXED, FILM (F0114) | 18K Ω \pm 5% 1/4W | | | | | | 1 | |
| R31 | RC2T18KJ | . | RESISTOR, FIXED, FILM (F0114) | 18K Ω \pm 5% 1/4W | | | | | | 1 | |
| R32 | RC2T15KJ | . | RESISTOR, FIXED, FILM (F0114) | 15K Ω \pm 5% 1/4W | | | | | | 1 | |
| R33 | RC2T15KJ | . | RESISTOR, FIXED, FILM (F0114) | 15K Ω \pm 5% 1/4W | | | | | | 1 | |
| R34 | RC2T15KJ | . | RESISTOR, FIXED, FILM (F0114) | 15K Ω \pm 5% 1/4W | | | | | | 1 | |
| R35 | RC6T47UJ | . | RESISTOR, FIXED, FILM (F0114) | 47 Ω \pm 5% 1/4W | | | | | | 1 | |
| R36 | RC2T680UJ | . | RESISTOR, FIXED, FILM (F0114) | 680 Ω \pm 5% 1/4W | | | | | | 1 | |
| R37 | RC2T15KJ | . | RESISTOR, FIXED, FILM (F0114) | 15K Ω \pm 5% 1/4W | | | | | | 1 | |
| R41 | RC2T1K5J | . | RESISTOR, FIXED, FILM (F0114) | 1,5K Ω \pm 5% 1/4W | | | | | | 1 | |
| R42 | RC2T4K7J | . | RESISTOR, FIXED, FILM (F0114) | 4,7K Ω \pm 5% 1/4W | | | | | | 1 | |
| R43 | RC2T4K7J | . | RESISTOR, FIXED, FILM (F0114) | 4,7K Ω \pm 5% 1/4W | | | | | | 1 | |
| R44 | RC6T82UJ | . | RESISTOR, FIXED, FILM (F0114) | 82 Ω \pm 5% 1/4W | | | | | | 1 | |
| R45 | RC2T51UJ | . | RESISTOR, FIXED, FILM (F0114) | 51 Ω \pm 5% 1/4W | | | | | | 1 | |
| R46 | RC2T270UJ | . | RESISTOR, FIXED, FILM (F0114) | 270 Ω \pm 5% 1/4W | | | | | | 1 | |
| R47 | RC2T120UJ | . | RESISTOR, FIXED, FILM (F0114) | 120 Ω \pm 5% 1/4W | | | | | | 1 | |
| R51 | RC2T470UJ | . | RESISTOR, FIXED, FILM (F0114) | 470 Ω \pm 5% 1/4W | | | | | | 1 | |
| R52 | RC2T33KJ | . | RESISTOR, FIXED, FILM (F0114) | 33K Ω \pm 5% 1/4W | | | | | | 1 | |
| R53 | RC2T22KJ | . | RESISTOR, FIXED, FILM (F0114) | 22K Ω \pm 5% 1/4W | | | | | | 1 | |
| R54 | RC2T3K3J | . | RESISTOR, FIXED, FILM (F0114) | 3,3K Ω \pm 5% 1/4W | | | | | | 1 | |
| R55 | RC2T10KJ | . | RESISTOR, FIXED, FILM (F0114) | 10K Ω \pm 5% 1/4W | | | | | | 1 | |
| R56 | RC2T82KJ | . | RESISTOR, FIXED, FILM (F0114) | 82K Ω \pm 5% 1/4W | | | | | | 1 | |
| R57 | RC2T150UJ | . | RESISTOR, FIXED, FILM (F0114) | 150 Ω \pm 5% 1/4W | | | | | | 1 | |
| R58 | RC2T10KJ | . | RESISTOR, FIXED, FILM (F0114) | 10K Ω \pm 5% 1/4W | | | | | | 1 | |

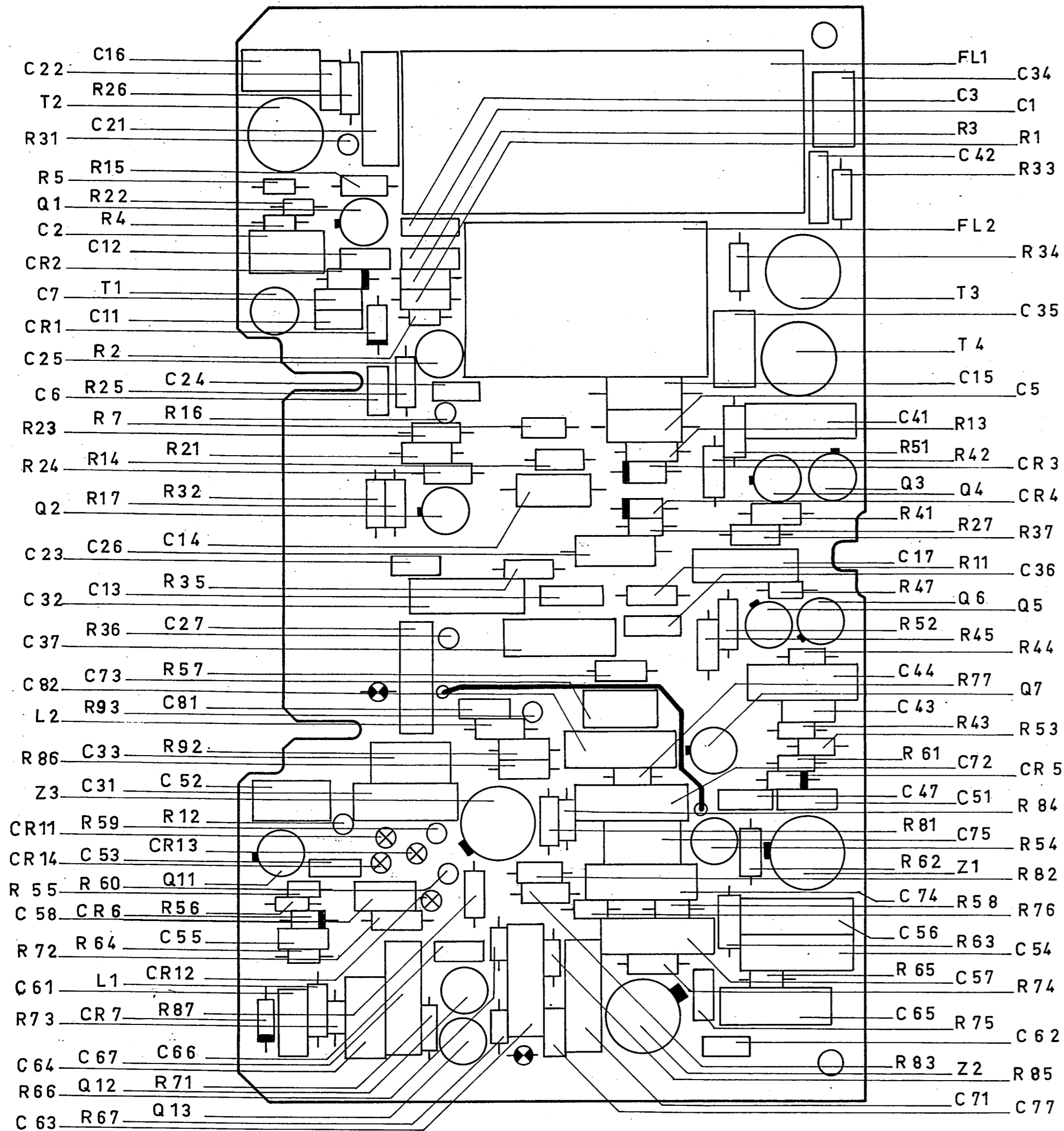


PL.1 . SYNTHESIZER PC BOARD ASSEMBLY N°2

| DRAWING ITEM | MANUFACTURER'S PART NUMBER | DESCRIPTION | 1 2 3 4 5 6 7 | | | | | | | Qty | Proc. |
|-----------------|-------------------------------|--|---------------|--|--|--|--|--|--|-----|-------|
| | | | | | | | | | | | |
| A17 | 15028200 | PC BOARD ASSEMBLY (SYNTHESIZER BOARD No.2) (SEE PART 2, SECTION 02, PLATE 01) | | | | | | | | FM | |
| C1 | CTS1 3P16V22MM | . CAPACITOR, FIXED, ELECTRO (F0115) 22MF±20% 16V | | | | | | | | 1 | |
| C2 | UAZ905-100KM | . CAPACITOR, FIXED, CERAMIC (F0350) 0,1MF±20% 63V | | | | | | | | 1 | |
| C3 | CN2-5-100UM | . CAPACITOR, FIXED, CERAMIC (F0115) 100PF±20% 500V | | | | | | | | 1 | |
| C4 | UAZ905-100KM | . CAPACITOR, FIXED, CERAMIC (F0350) 0,1MF±20% 63V | | | | | | | | 1 | |
| C5 | UAZ905-10KM | . CAPACITOR, FIXED, CERAMIC (F0350) 0,01MF±20% 63V | | | | | | | | 1 | |
| C6 | UAZ905-47KM | . CAPACITOR, FIXED, CERAMIC (F0350) 0,047MF±20% 63V | | | | | | | | 1 | |
| C7 | CN31-5-4K7M | . CAPACITOR, FIXED, CERAMIC (F0115) 4700PF±20% 100V | | | | | | | | 1 | |
| C8 | CTS1 3P16V3"3K | . CAPACITOR, FIXED, ELECTRO (F0115) 3,3MF±10% 16V | | | | | | | | 1 | |
| C11 | CTS1 3P25V10MM | . CAPACITOR, FIXED, ELECTRO (F0115) 10MF±20% 25V | | | | | | | | 1 | |
| C12 | CTS1 3P16V22MM | . CAPACITOR, FIXED, ELECTRO (F0115) 22MF±20% 16V | | | | | | | | 1 | |
| C13 | UAZ905-15KM | . CAPACITOR, FIXED, CERAMIC (F0350) 0,015MF±20% 63V | | | | | | | | 1 | |
| C14 | CTS1 3P16V22MM | . CAPACITOR, FIXED, ELECTRO (F0115) 22MF±20% 16V | | | | | | | | 1 | |
| C15 | CTS1 3P16V22MM | . CAPACITOR, FIXED, ELECTRO (F0115) 22MF±20% 16V | | | | | | | | 1 | |
| C16 | CN2-220UM | . CAPACITOR, FIXED, CERAMIC (F0115) 220PF±20% 500V | | | | | | | | 1 | |
| C17 | CN2-33UM | . CAPACITOR, FIXED, CERAMIC (F0115) 33PF±20% 500V | | | | | | | | 1 | |
| C18 | SBM4R16V22MM | . CAPACITOR, FIXED, ELECTRO (F3422) 22MF±20% 16V | | | | | | | | 1 | |
| C21 | CTS1 3P20V15MM | . CAPACITOR, FIXED, ELECTRO (F0115) 15MF±20% 20V | | | | | | | | 1 | |
| C22 | UAZ905-10KM | . CAPACITOR, FIXED, CERAMIC (F0350) 0,01MF±20% 63V | | | | | | | | 1 | |
| C23 | UAZ905-10KM | . CAPACITOR, FIXED, CERAMIC (F0350) 0,01MF±20% 63V | | | | | | | | 1 | |
| C24 | CN2-220UM | . CAPACITOR, FIXED, CERAMIC (F0115) 220PF±20% 500V | | | | | | | | 1 | |
| L1 | 1025-68 | . REACTOR (99800) 100μH±10% | | | | | | | | 1 | |
| Q1 | E113 | . TRANSISTOR (17856) E113 | | | | | | | | 1 | |
| Q2 | MEM563C | . TRANSISTOR (A2952) MEM563C | | | | | | | | 1 | |
| Q3 | U235 | . TRANSISTOR (17856) U235 | | | | | | | | 1 | |
| R1 | RC6T3K9J | . RESISTOR, FIXED, FILM (F0114) 3,9KΩ±5% 1/8W | | | | | | | | 1 | |
| R2 | RC6T15KJ | . RESISTOR, FIXED, FILM (F0114) 15KΩ±5% 1/8W | | | | | | | | 1 | |
| R3 | RC6T1KJ | . RESISTOR, FIXED, FILM (F0114) 1KΩ±5% 1/8W | | | | | | | | 1 | |
| R4 | RC6T10UJ | . RESISTOR, FIXED, FILM (F0114) 10Ω±5% 1/8W | | | | | | | | 1 | |
| R5 | RC6T3K9J | . RESISTOR, FIXED, FILM (F0114) 3,9KΩ±5% 1/8W | | | | | | | | 1 | |
| R6 | RC6T1KJ | . RESISTOR, FIXED, FILM (F0114) 1KΩ±5% 1/8W | | | | | | | | 1 | |
| R7 | RC6T680UJ | . RESISTOR, FIXED, FILM (F0114) 680Ω±5% 1/8W | | | | | | | | 1 | |
| R8 | RC6TAAJUSTER | . RESISTOR, FIXED, FILM (F0114) 33Ω±68KΩ±5% 1/8W | | | | | | | | 1 | |
| R11 | RC6T47UJ | . RESISTOR, FIXED, FILM (F0114) 47Ω±5% 1/8W | | | | | | | | 1 | |
| R12 | RBX001-1MJ | . RESISTOR, FIXED, FILM (F0114) 1MΩ±5% 1/4W | | | | | | | | 1 | |
| R13 | RC6T1K5J | . RESISTOR, FIXED, FILM (F0114) 1,5KΩ±5% 1/8W | | | | | | | | 1 | |
| R14 | RC6T12KJ | . RESISTOR, FIXED, FILM (F0114) 12KΩ±5% 1/8W | | | | | | | | 1 | |
| R15 | RC6T56KJ | . RESISTOR, FIXED, FILM (F0114) 56KΩ±5% 1/8W | | | | | | | | 1 | |
| R16 | RC6T47KJ | . RESISTOR, FIXED, FILM (F0114) 47KΩ±5% 1/8W | | | | | | | | 1 | |
| R17 | RC6T10KJ | . RESISTOR, FIXED, FILM (F0114) 10KΩ±5% 1/8W | | | | | | | | 1 | |
| R19 | RC6T3K3J | . RESISTOR, FIXED, FILM (F0114) 3,3KΩ±5% 1/8W | | | | | | | | 1 | |
| R21 | RC6T10KJ | . RESISTOR, FIXED, FILM (F0114) 10KΩ±5% 1/8W | | | | | | | | 1 | |
| R22 | RC6T1KJ | . RESISTOR, FIXED, FILM (F0114) 1KΩ±5% 1/8W | | | | | | | | 1 | |
| R23 | RC6T10KJ | . RESISTOR, FIXED, FILM (F0114) 10KΩ±5% 1/8W | | | | | | | | 1 | |
| R24 | RC6T47KJ | . RESISTOR, FIXED, FILM (F0114) 47KΩ±5% 1/8W | | | | | | | | 1 | |
| R25 | RC6T47KJ | . RESISTOR, FIXED, FILM (F0114) 47KΩ±5% 1/8W | | | | | | | | 1 | |
| R26 | RC6T47KJ | . RESISTOR, FIXED, FILM (F0114) 47KΩ±5% 1/8W | | | | | | | | 1 | |
| R27 | RC2T10KJ | . RESISTOR, FIXED, FILM (F0114) 10KΩ±5% 1/4W | | | | | | | | 1 | |
| R28 | RC2T1KJ | . RESISTOR, FIXED, FILM (F0114) 1KΩ±5% 1/4W | | | | | | | | 1 | |
| Z1 | L123T2 | . MICROSTRUCTURE, LOGIC (F3223) L123T2 | | | | | | | | 1 | |

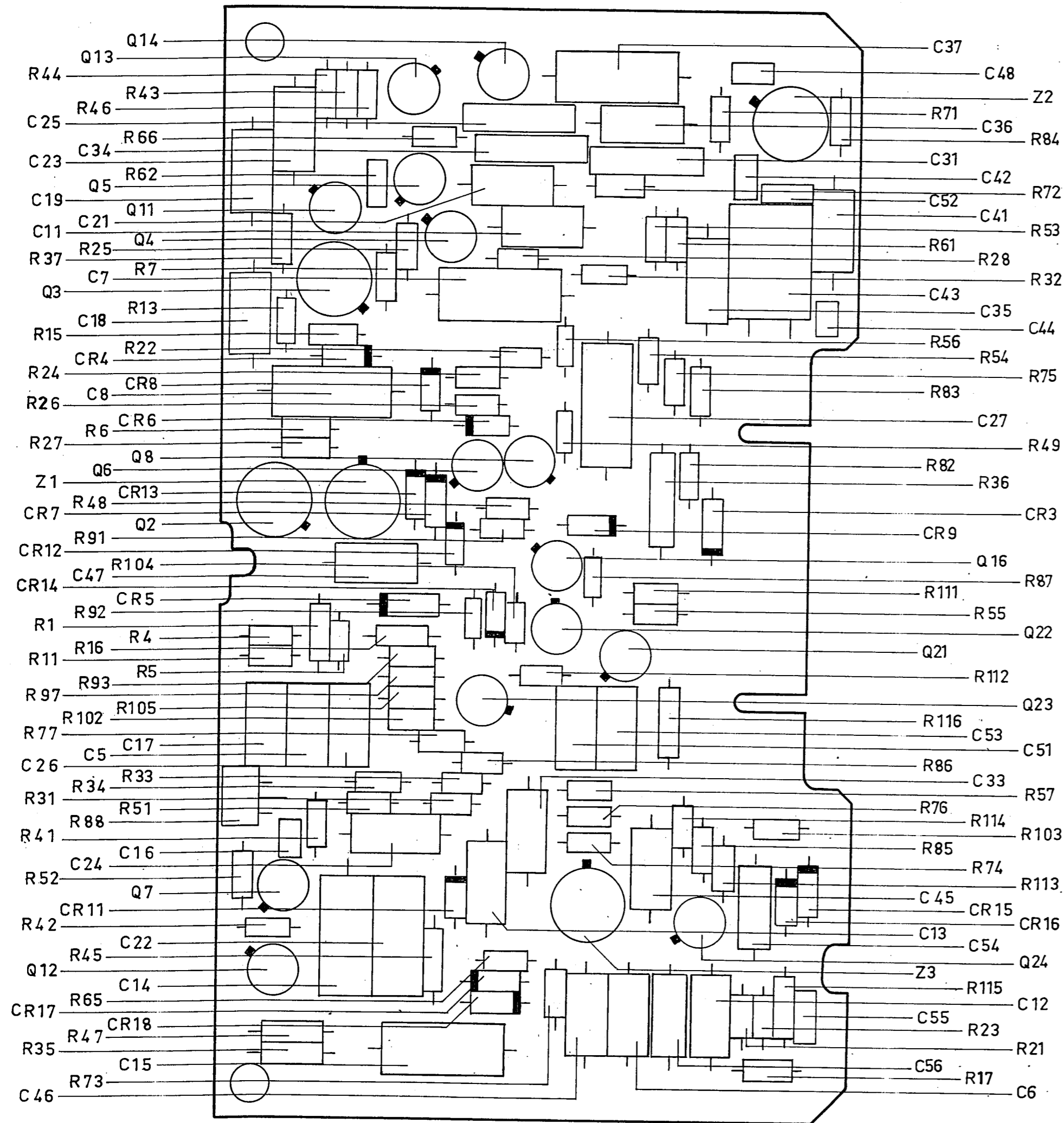


PL.1. SYNTHESIZER PC BOARD ASSEMBLY N°3



PL.1 . 2.5 MHZ IF FILTERS PC BOARD ASSEMBLY

| DRAWING ITEM | MANUFACTURER'S PART NUMBER | DESCRIPTION 1 2 3 4 5 6 7 | Qty | Proc. |
|-----------------|-------------------------------|------------------------------------|-----|-------|
| Z2 | 15160773 | . MICROSTRUCTURE, LINEAR | 1 | |
| Z3 | 15160774 | . MICROSTRUCTURE, LINEAR | 1 | |

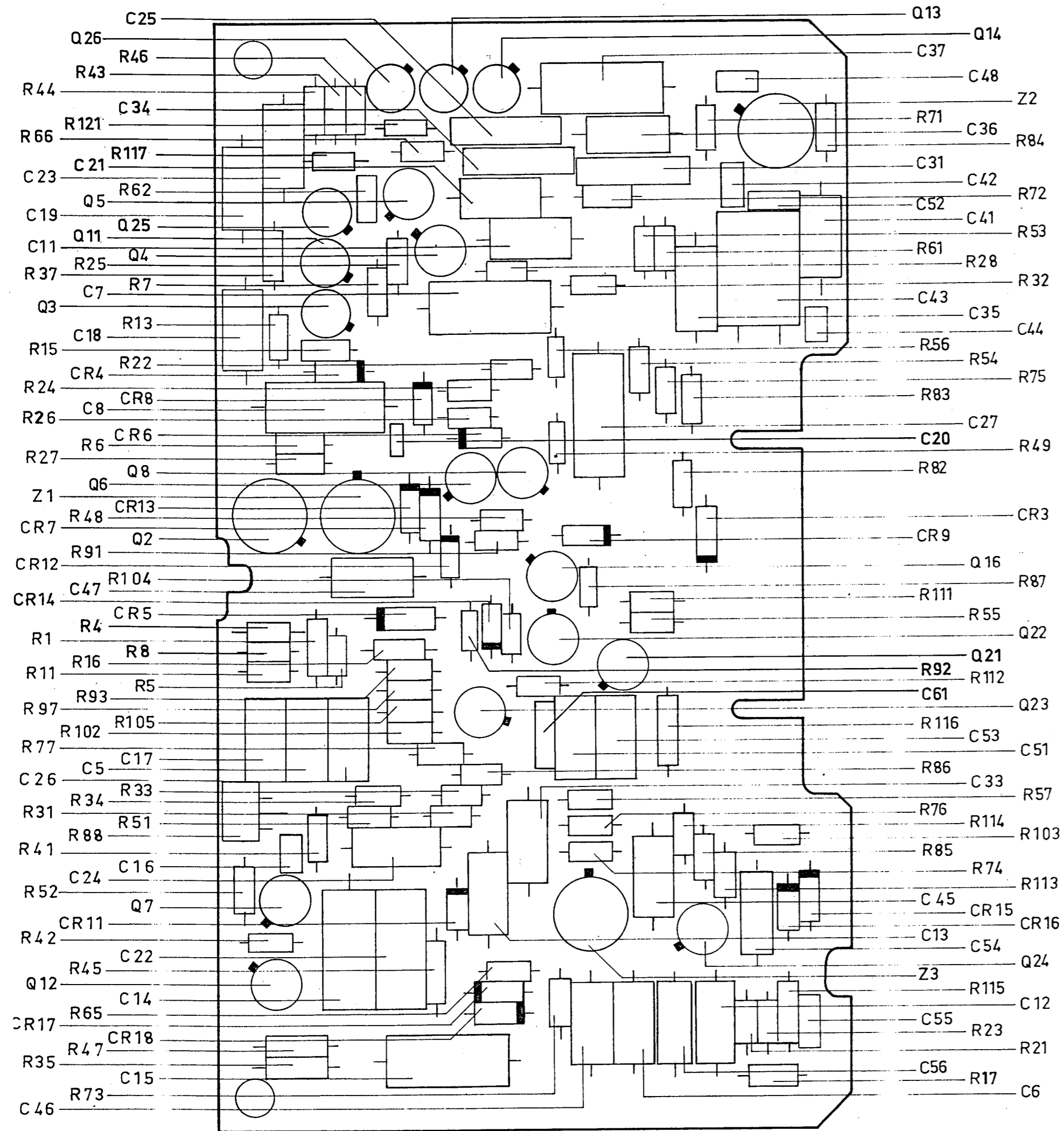


PL.1. AF PC BOARD ASSEMBLY

| DRAWING ITEM | MANUFACTURER'S PART NUMBER | DESCRIPTION | 1 2 3 4 5 6 7 | | | | | | | Qty | Proc. |
|-----------------|-------------------------------|--|---------------|--|--|--|--|--|--|-----|-------|
| | | | | | | | | | | | |
| A20 | 15028213 | PC BOARD ASSEMBLY (AF CIRCUIT) (SEE PART 2, SECTION 02, PLATE 01) | | | | | | | | FM | |
| C5 | UG85-16V100MM | . CAPACITOR, FIXED, ELECTRO (F6180) 100MF±20% 10V | | | | | | | | 1 | |
| C6 | CTS13P16V3M3M | . CAPACITOR, FIXED, ELECTRO (F0115) 3,3MF±20% 16V | | | | | | | | 1 | |
| C7 | CTS13P25V10MM | . CAPACITOR, FIXED, ELECTRO (F0115) 10MF±20% 25V | | | | | | | | 1 | |
| C8 | CTS13P6V47MM | . CAPACITOR, FIXED, ELECTRO (F0115) 47MF±20% 6V | | | | | | | | 1 | |
| C11 | CTS13P35V1MM | . CAPACITOR, FIXED, ELECTRO (F0115) 1MF±20% 40V | | | | | | | | 1 | |
| C12 | CTS13P20V2M2M | . CAPACITOR, FIXED, ELECTRO (F0115) 2,2MF±20% 20V | | | | | | | | 1 | |
| C13 | CTS13P20V2M2M | . CAPACITOR, FIXED, ELECTRO (F0115) 2,2MF±20% 20V | | | | | | | | 1 | |
| C14 | KM311-160V21K5F | . CAPACITOR, FIXED, PLASTIC (F1379) 0,0215MF±1% 160V | | | | | | | | 1 | |
| C15 | KEF213-43K2F | . CAPACITOR, FIXED, PLASTIC (F0350) 0,0432MF±1% 160V | | | | | | | | 1 | |
| C16 | DQX704-1KM | . CAPACITOR, FIXED, CERAMIC (F0350) 1000PF±20% 100V | | | | | | | | 1 | |
| C17 | UG85-10V100MM | . CAPACITOR, FIXED, ELECTRO (F6180) 100MF±20% 10V | | | | | | | | 1 | |
| C18 | CTS13P10V4M7M | . CAPACITOR, FIXED, ELECTRO (F0115) 4,7MF±20% 10V | | | | | | | | 1 | |
| C19 | CTS13P35V1MM | . CAPACITOR, FIXED, ELECTRO (F0115) 1MF±20% 40V | | | | | | | | 1 | |
| C21 | CTS13P20V2M2M | . CAPACITOR, FIXED, ELECTRO (F0115) 2,2MF±20% 20V | | | | | | | | 1 | |
| C22 | KM311-160V21K5F | . CAPACITOR, FIXED, PLASTIC (F1379) 0,0215MF±1% 160V | | | | | | | | 1 | |
| C23 | CTS13P35V1MM | . CAPACITOR, FIXED, ELECTRO (F0115) 1MF±20% 40V | | | | | | | | 1 | |
| C24 | CTS13P20V2M2M | . CAPACITOR, FIXED, ELECTRO (F0115) 2,2MF±20% 20V | | | | | | | | 1 | |
| C25 | IPG213-10KJ | . CAPACITOR, FIXED, PLASTIC (F0350) 0,01MF±5% 250V | | | | | | | | 1 | |
| C26 | UG85-10V100MM | . CAPACITOR, FIXED, ELECTRO (F6180) 100MF±20% 10V | | | | | | | | 1 | |
| C27 | CTS13P16V22MM | . CAPACITOR, FIXED, ELECTRO (F0115) 22MF±20% 16V | | | | | | | | 1 | |
| C31 | IPD213-82KK | . CAPACITOR, FIXED, PLASTIC (F0350) 0,082MF±10% 63V | | | | | | | | 1 | |
| C33 | CTS13P20V2M2M | . CAPACITOR, FIXED, ELECTRO (F0115) 2,2MF±20% 20V | | | | | | | | 1 | |
| C34 | IPG213-10KJ | . CAPACITOR, FIXED, PLASTIC (F0350) 0,01MF±5% 250V | | | | | | | | 1 | |
| C35 | CTS13P20V2M2M | . CAPACITOR, FIXED, ELECTRO (F0115) 2,2MF±20% 20V | | | | | | | | 1 | |
| C36 | CTS13P10V4M7M | . CAPACITOR, FIXED, ELECTRO (F0115) 4,7MF±20% 10V | | | | | | | | 1 | |
| C37 | CTS13P6V47MM | . CAPACITOR, FIXED, ELECTRO (F0115) 47MF±20% 6V | | | | | | | | 1 | |
| C41 | CTS13P20V2M2M | . CAPACITOR, FIXED, ELECTRO (F0115) 2,2MF±20% 20V | | | | | | | | 1 | |
| C42 | CE13-3C220UK | . CAPACITOR, FIXED, CERAMIC (F0115) 220PF±10% 100V | | | | | | | | 1 | |
| C43 | UG85-16V68MM | . CAPACITOR, FIXED, ELECTRO (F6180) 68MF±20% 16V | | | | | | | | 1 | |
| C44 | CN31-5-2K2M | . CAPACITOR, FIXED, CERAMIC (F0115) 2200PF±20% 100V | | | | | | | | 1 | |
| C45 | CTS13P35V1MM | . CAPACITOR, FIXED, ELECTRO (F0115) 1MF±20% 40V | | | | | | | | 1 | |
| C46 | CTS13P10V4M7M | . CAPACITOR, FIXED, ELECTRO (F0115) 4,7MF±20% 10V | | | | | | | | 1 | |
| C47 | CTS13P10V4M7M | . CAPACITOR, FIXED, ELECTRO (F0115) 4,7MF±20% 10V | | | | | | | | 1 | |
| C48 | CE13-3C82UK | . CAPACITOR, FIXED, CERAMIC (F0115) 82PF±10% 100V | | | | | | | | 1 | |
| C51 | UG85-10V100MM | . CAPACITOR, FIXED, ELECTRO (F6180) 100MF±20% 10V | | | | | | | | 1 | |
| C52 | UFW606-10KJL | . CAPACITOR, FIXED, CERAMIC (F0350) 0,01MF-20+80% 16V | | | | | | | | 1 | |
| C53 | UG85-10V100MM | . CAPACITOR, FIXED, ELECTRO (F6180) 100MF±20% 10V | | | | | | | | 1 | |
| C54 | CTS13P20V100KM | . CAPACITOR, FIXED, ELECTRO (F0115) 0,1MF±20% 20V | | | | | | | | 1 | |
| C55 | UFW606-10KJL | . CAPACITOR, FIXED, CERAMIC (F0350) 0,01MF-20+80% 16V | | | | | | | | 1 | |
| C56 | CTS13P20V100KM | . CAPACITOR, FIXED, ELECTRO (F0115) 0,1MF±20% 20V | | | | | | | | 1 | |
| CR3 | 1N647 | . DIODE, SEMI-CONDUCTOR (F0115) 1N647 | | | | | | | | 1 | |
| CR4 | BZX83C3V3 | . DIODE, SEMI-CONDUCTOR (F4601) BZX83C3V3 | | | | | | | | 1 | |
| CR5 | 1N647 | . DIODE, SEMI-CONDUCTOR (F0115) 1N647 | | | | | | | | 1 | |
| CR6 | 1N4148 | . DIODE, SEMI-CONDUCTOR (F0115) 1N4148 | | | | | | | | 1 | |
| CR7 | 1N4148 | . DIODE, SEMI-CONDUCTOR (F0115) 1N4148 | | | | | | | | 1 | |
| CR8 | 1N4148 | . DIODE, SEMI-CONDUCTOR (F0115) 1N4148 | | | | | | | | 1 | |
| CR9 | 1N4148 | . DIODE, SEMI-CONDUCTOR (F0115) 1N4148 | | | | | | | | 1 | |
| CR11 | 1N4148 | . DIODE, SEMI-CONDUCTOR (F0115) 1N4148 | | | | | | | | 1 | |
| CR12 | 1N4148 | . DIODE, SEMI-CONDUCTOR (F0115) 1N4148 | | | | | | | | 1 | |

| DRAWING ITEM | MANUFACTURER'S PART NUMBER | DESCRIPTION | | | | | | | Qty | Proc. | |
|-----------------|-------------------------------|-------------|---|---|---|---|---|---|--|-------|--|
| | | 1 | 2 | 3 | 4 | 5 | 6 | 7 | | | |
| CR13 | 1N4148 | . | | | | | | | DIODE, SEMI-CONDUCTOR (F0115) 1N4148 | 1 | |
| CR14 | 1N4148 | . | | | | | | | DIODE, SEMI-CONDUCTOR (F0115) 1N4148 | 1 | |
| CR15 | 1N4148 | . | | | | | | | DIODE, SEMI-CONDUCTOR (F0115) 1N4148 | 1 | |
| CR16 | 1N4148 | . | | | | | | | DIODE, SEMI-CONDUCTOR (F0115) 1N4148 | 1 | |
| CR17 | 1N4148 | . | | | | | | | DIODE, SEMI-CONDUCTOR (F0115) 1N4148 | 1 | |
| CR18 | 1N4148 | . | | | | | | | DIODE, SEMI-CONDUCTOR (F0115) 1N4148 | 1 | |
| Q2 | 2N2905-1 | . | | | | | | | TRANSISTOR (F0115) 2N2905-1 | 1 | |
| Q3 | 2N2219 | . | | | | | | | TRANSISTOR (F0115) 2N2219 | 1 | |
| Q4 | 2N2484-1 | . | | | | | | | TRANSISTOR (F0115) 2N2484-1 | 1 | |
| Q5 | 2N2907 | . | | | | | | | TRANSISTOR (F0115) 2N2907 | 1 | |
| Q6 | 2N2907 | . | | | | | | | TRANSISTOR (F0115) 2N2907 | 1 | |
| Q7 | 2N2484-1 | . | | | | | | | TRANSISTOR (F0115) 2N2484-1 | 1 | |
| Q8 | E113 | . | | | | | | | TRANSISTOR (17856) E113 | 1 | |
| Q11 | 2N2222 | . | | | | | | | TRANSISTOR (F0115) 2N2222 | 1 | |
| Q12 | 2N2222 | . | | | | | | | TRANSISTOR (F0115) 2N2222 | 1 | |
| Q13 | 2N2222A1 | . | | | | | | | TRANSISTOR (F0115) 2N2222A1 | 1 | |
| Q14 | 2N2222A1 | . | | | | | | | TRANSISTOR (F0115) 2N2222A1 | 1 | |
| Q16 | 2N2907 | . | | | | | | | TRANSISTOR (F0115) 2N2907 | 1 | |
| Q21 | 2N2484-1 | . | | | | | | | TRANSISTOR (F0115) 2N2484-1 | 1 | |
| Q22 | 2N2907 | . | | | | | | | TRANSISTOR (F0115) 2N2907 | 1 | |
| Q23 | 2N2222 | . | | | | | | | TRANSISTOR (F0115) 2N2222 | 1 | |
| Q24 | 15160362 | . | | | | | | | TRANSISTOR | 1 | |
| R1 | RC2T100UJ | . | | | | | | | RESISTOR, FIXED, FILM (F0114) 100Ω±5% 1/4W | 1 | |
| R4 | RC8U2K05G | . | | | | | | | RESISTOR, FIXED, FILM (F0114) 2,05KΩ±2% 1/8W | 1 | |
| R5 | RC2T2K2J | . | | | | | | | RESISTOR, FIXED, FILM (F0114) 2,2KΩ±5% 1/4W | 1 | |
| R6 | RC2T180UJ | . | | | | | | | RESISTOR, FIXED, FILM (F0114) 180Ω±5% 1/4W | 1 | |
| R7 | RC2T10UJ | . | | | | | | | RESISTOR, FIXED, FILM (F0114) 10Ω±5% 1/4W | 1 | |
| R11 | RC8U51K1G | . | | | | | | | RESISTOR, FIXED, FILM (F0114) 51,1KΩ±2% 1/8W | 1 | |
| R13 | RC2T3K3J | . | | | | | | | RESISTOR, FIXED, FILM (F0114) 3,3KΩ±5% 1/4W | 1 | |
| R15 | RC2T10KJ | . | | | | | | | RESISTOR, FIXED, FILM (F0114) 10KΩ±5% 1/4W | 1 | |
| R16 | RC2T220KJ | . | | | | | | | RESISTOR, FIXED, FILM (F0114) 220KΩ±5% 1/4W | 1 | |
| R17 | RC2T10KJ | . | | | | | | | RESISTOR, FIXED, FILM (F0114) 10KΩ±5% 1/4W | 1 | |
| R21 | RC2T10KJ | . | | | | | | | RESISTOR, FIXED, FILM (F0114) 10KΩ±5% 1/4W | 1 | |
| R22 | RC2T10UJ | . | | | | | | | RESISTOR, FIXED, FILM (F0114) 10Ω±5% 1/4W | 1 | |
| R23 | RC2T10KJ | . | | | | | | | RESISTOR, FIXED, FILM (F0114) 10KΩ±5% 1/4W | 1 | |
| R24 | RC2T22KJ | . | | | | | | | RESISTOR, FIXED, FILM (F0114) 22KΩ±5% 1/4W | 1 | |
| R25 | RC2T1KJ | . | | | | | | | RESISTOR, FIXED, FILM (F0114) 1KΩ±5% 1/4W | 1 | |
| R26 | RC2T22KJ | . | | | | | | | RESISTOR, FIXED, FILM (F0114) 22KΩ±5% 1/4W | 1 | |
| R27 | RC2T10KJ | . | | | | | | | RESISTOR, FIXED, FILM (F0114) 10KΩ±5% 1/4W | 1 | |
| R28 | RC2T3K3J | . | | | | | | | RESISTOR, FIXED, FILM (F0114) 3,3KΩ±5% 1/4W | 1 | |
| R31 | RC2T4K7J | . | | | | | | | RESISTOR, FIXED, FILM (F0114) 4,7KΩ±5% 1/4W | 1 | |
| R32 | RC2T2K2J | . | | | | | | | RESISTOR, FIXED, FILM (F0114) 2,2KΩ±5% 1/4W | 1 | |
| R33 | RC2T220UJ | . | | | | | | | RESISTOR, FIXED, FILM (F0114) 220Ω±5% 1/4W | 1 | |
| R34 | RC2T10KJ | . | | | | | | | RESISTOR, FIXED, FILM (F0114) 10KΩ±5% 1/4W | 1 | |
| R35 | RS58Y7K5F | . | | | | | | | RESISTOR, FIXED, FILM (F0114) 7,5KΩ±1% 1/8W | 1 | |
| R36 | RC3T47UJ | . | | | | | | | RESISTOR, FIXED, FILM (F0114) 47Ω±5% 1/4W | 1 | |
| R37 | RC2T1KJ | . | | | | | | | RESISTOR, FIXED, FILM (F0114) 1KΩ±5% 1/4W | 1 | |
| R41 | RC2T7K5J | . | | | | | | | RESISTOR, FIXED, FILM (F0114) 7,5KΩ±5% 1/4W | 1 | |
| R42 | RC2T180UJ | . | | | | | | | RESISTOR, FIXED, FILM (F0114) 180Ω±5% 1/4W | 1 | |
| R43 | RC2T6K8J | . | | | | | | | RESISTOR, FIXED, FILM (F0114) 6,8KΩ±5% 1/4W | 1 | |
| R44 | RC2T5K6J | . | | | | | | | RESISTOR, FIXED, FILM (F0114) 5,6KΩ±5% 1/4W | 1 | |

| DRAWING ITEM | MANUFACTURER'S PART NUMBER | DESCRIPTION | Qty | Proc. |
|-----------------|-------------------------------|--|-----|-------|
| | | | | |
| R45 | RS58Y3K65F | . RESISTOR, FIXED, FILM (F0114) 3,65K Ω \pm 1% 1/8W | 1 | |
| R46 | RC2T15KJ | . RESISTOR, FIXED, FILM (F0114) 15K Ω \pm 5% 1/4W | 1 | |
| R47 | RS58Y7K5F | . RESISTOR, FIXED, FILM (F0114) 7,5K Ω \pm 1% 1/8W | 1 | |
| R48 | RC2T100KJ | . RESISTOR, FIXED, FILM (F0114) 100K Ω \pm 5% 1/4W | 1 | |
| R49 | RC2T1KJ | . RESISTOR, FIXED, FILM (F0114) 1K Ω \pm 5% 1/4W | 1 | |
| R51 | RC2T1K6J | . RESISTOR, FIXED, FILM (F0114) 1,6K Ω \pm 5% 1/4W | 1 | |
| R52 | RC2T1K6J | . RESISTOR, FIXED, FILM (F0114) 1,6K Ω \pm 5% 1/4W | 1 | |
| R53 | RC2T4K7J | . RESISTOR, FIXED, FILM (F0114) 4,7K Ω \pm 5% 1/4W | 1 | |
| R54 | RC2T1KJ | . RESISTOR, FIXED, FILM (F0114) 1K Ω \pm 5% 1/4W | 1 | |
| R55 | RC2T220UJ | . RESISTOR, FIXED, FILM (F0114) 220 Ω \pm 5% 1/4W | 1 | |
| R56 | RC2T1KJ | . RESISTOR, FIXED, FILM (F0114) 1K Ω \pm 5% 1/4W | 1 | |
| R57 | RC2T22KJ | . RESISTOR, FIXED, FILM (F0114) 22K Ω \pm 5% 1/4W | 1 | |
| R61 | RC2T10KJ | . RESISTOR, FIXED, FILM (F0114) 10K Ω \pm 5% 1/4W | 1 | |
| R62 | RC2T4K7J | . RESISTOR, FIXED, FILM (F0114) 4,7K Ω \pm 5% 1/4W | 1 | |
| R65 | RC2T100UJ | . RESISTOR, FIXED, FILM (F0114) 100 Ω \pm 5% 1/4W | 1 | |
| R66 | RC2T33KJ | . RESISTOR, FIXED, FILM (F0114) 33K Ω \pm 5% 1/4W | 1 | |
| R71 | RC2T1KJ | . RESISTOR, FIXED, FILM (F0114) 1K Ω \pm 5% 1/4W | 1 | |
| R72 | RC2T27UJ | . RESISTOR, FIXED, FILM (F0114) 27 Ω \pm 5% 1/4W | 1 | |
| R73 | RC2T5K6J | . RESISTOR, FIXED, FILM (F0114) 5,6K Ω \pm 5% 1/4W | 1 | |
| R74 | RC2T5K6J | . RESISTOR, FIXED, FILM (F0114) 5,6K Ω \pm 5% 1/4W | 1 | |
| R75 | RC2T330UJ | . RESISTOR, FIXED, FILM (F0114) 330 Ω \pm 5% 1/4W | 1 | |
| R76 | RC2T47KJ | . RESISTOR, FIXED, FILM (F0114) 47K Ω \pm 5% 1/4W | 1 | |
| R77 | RC2T10KJ | . RESISTOR, FIXED, FILM (F0114) 10K Ω \pm 5% 1/4W | 1 | |
| R82 | RC2T10KJ | . RESISTOR, FIXED, FILM (F0114) 10K Ω \pm 5% 1/4W | 1 | |
| R83 | RC2T100UJ | . RESISTOR, FIXED, FILM (F0114) 100 Ω \pm 5% 1/4W | 1 | |
| R84 | RC2T22KJ | . RESISTOR, FIXED, FILM (F0114) 22K Ω \pm 5% 1/4W | 1 | |
| R85 | RC2T4K22G | . RESISTOR, FIXED, FILM (F0114) 4,22K Ω \pm 2% 1/4W | 1 | |
| R86 | RC2T5K62G | . RESISTOR, FIXED, FILM (F0114) 5,62K Ω \pm 2% 1/4W | 1 | |
| R87 | RC2T27KJ | . RESISTOR, FIXED, FILM (F0114) 27K Ω \pm 5% 1/4W | 1 | |
| R88 | 566-00HS10KK | . RESISTOR, VARIABLE (F1379) 10K Ω \pm 5% 0,5W | 1 | |
| R91 | RC2T27KJ | . RESISTOR, FIXED, FILM (F0114) 27K Ω \pm 5% 1/4W | 1 | |
| R92 | RC2T100KJ | . RESISTOR, FIXED, FILM (F0114) 100K Ω \pm 5% 1/4W | 1 | |
| R93 | RC2T22KJ | . RESISTOR, FIXED, FILM (F0114) 22K Ω \pm 5% 1/4W | 1 | |
| R97 | RC2T33KJ | . RESISTOR, FIXED, FILM (F0114) 33K Ω \pm 5% 1/4W | 1 | |
| R102 | RC2T18KJ | . RESISTOR, FIXED, FILM (F0114) 18K Ω \pm 5% 1/4W | 1 | |
| R103 | RC2T4K7J | . RESISTOR, FIXED, FILM (F0114) 4,7K Ω \pm 5% 1/4W | 1 | |
| R104 | RC2T27KJ | . RESISTOR, FIXED, FILM (F0114) 27K Ω \pm 5% 1/4W | 1 | |
| R105 | RC2T100KJ | . RESISTOR, FIXED, FILM (F0114) 100K Ω \pm 5% 1/4W | 1 | |
| R111 | RC2T10KJ | . RESISTOR, FIXED, FILM (F0114) 10K Ω \pm 5% 1/4W | 1 | |
| R112 | RC2T100KJ | . RESISTOR, FIXED, FILM (F0114) 100K Ω \pm 5% 1/4W | 1 | |
| R113 | RC2T100KJ | . RESISTOR, FIXED, FILM (F0114) 100K Ω \pm 5% 1/4W | 1 | |
| R114 | RC2T100KJ | . RESISTOR, FIXED, FILM (F0114) 100K Ω \pm 5% 1/4W | 1 | |
| R115 | RBX001-1MJ | . RESISTOR, FIXED, FILM (F0350) 1M Ω \pm 5% 1/4W | 1 | |
| R116 | RBX001-1MJ | . RESISTOR, FIXED, FILM (F0350) 1M Ω \pm 5% 1/4W | 1 | |
| Z1 | MA741 | . MICROSTRUCTURE, LINEAR (F3223) MA741 | 1 | |
| Z2 | TAA611E55 | . MICROSTRUCTURE, LOGIC (F3223) TAA611E55 | 1 | |
| Z3 | MA741 | . MICROSTRUCTURE, LINEAR (F3223) MA741 | 1 | |

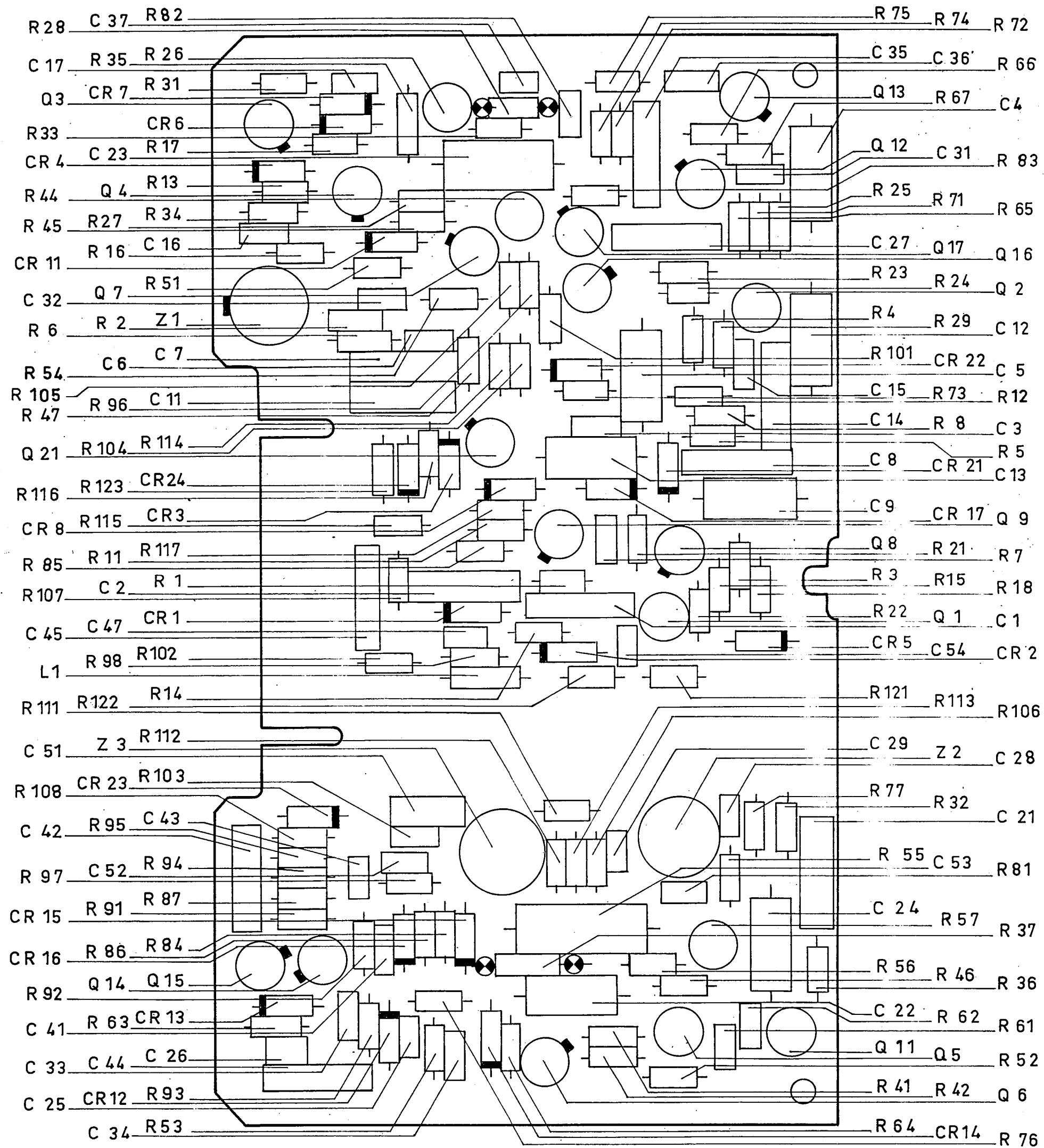


PL.2. AF PC BOARD ASSEMBLY

| INDEX | MANUFACTURER'S PART NUMBER | DESCRIPTION | | | | | | | QTY | AP |
|-------|-------------------------------|--|---|---|---|---|---|---|-----|----|
| | | 1 | 2 | 3 | 4 | 5 | 6 | 7 | | |
| A20 | 15029937 | PC BOARD ASSEMBLY (AF CIRCUIT) (SEE PART 2, SECTION 02, PLATE 01) (B version)..... | | | | | | | FM | |
| C5 | SBM4-R16V22MM | . CAPACITOR, FIXED, ELECTRO (F3422) 22MF±20% 16V | | | | | | | 1 | |
| C6 | CTS13P16V3M3M | . CAPACITOR, FIXED, ELECTRO (F0115) 3,3MF±20% 16V | | | | | | | 1 | |
| C7 | CTS13P25V10MM | . CAPACITOR, FIXED, ELECTRO (F0115) 10MF±20% 25V | | | | | | | 1 | |
| C8 | CTS13P6V47MM | . CAPACITOR, FIXED, ELECTRO (F0115) 47MF±20% 6V | | | | | | | 1 | |
| C11 | CTS13P35V1MM | . CAPACITOR, FIXED, ELECTRO (F0115) 1MF±20% 40V | | | | | | | 1 | |
| C12 | CTS13P20V2M2M | . CAPACITOR, FIXED, ELECTRO (F0115) 2,2MF±20% 20V | | | | | | | 1 | |
| C13 | CTS13P20V2M2M | . CAPACITOR, FIXED, ELECTRO (F0115) 2,2MF±20% 20V | | | | | | | 1 | |
| C14 | KM311-160V21K5F | . CAPACITOR, FIXED, PLASTIC (F1379) 0,0215MF±1% 160V | | | | | | | 1 | |
| C15 | KEF213-43K2F | . CAPACITOR, FIXED, PLASTIC (F0350) 0,0432MF±1% 160V | | | | | | | 1 | |
| C16 | DQX704-1KM | . CAPACITOR, FIXED, CERAMIC (F0350) 1000PF±20% 100V | | | | | | | 1 | |
| C17 | UG85-10V100MM | . CAPACITOR, FIXED, ELECTRO (F6180) 100MF±20% 10V | | | | | | | 1 | |
| C18 | CTS13P10V4M7M | . CAPACITOR, FIXED, ELECTRO (F0115) 4,7MF±20% 10V | | | | | | | 1 | |
| C19 | CTS13P35V1MM | . CAPACITOR, FIXED, ELECTRO (F0115) 1MF±20% 40V | | | | | | | 1 | |
| C20 | SBM1R20V1MM | . CAPACITOR, FIXED, ELECTRO (F3422) 1MF±20% 20V | | | | | | | 1 | |
| C21 | CTS13P20V2M2M | . CAPACITOR, FIXED, ELECTRO (F0115) 2,2MF±20% 20V | | | | | | | 1 | |
| C22 | KM311-160V21K5F | . CAPACITOR, FIXED, PLASTIC (F1379) 0,0215MF±1% 160V | | | | | | | 1 | |
| C23 | CTS13P35V1MM | . CAPACITOR, FIXED, ELECTRO (F0115) 1MF±20% 40V | | | | | | | 1 | |
| C24 | CTS13P20V2M2M | . CAPACITOR, FIXED, ELECTRO (F0115) 2,2MF±20% 20V | | | | | | | 1 | |
| C25 | IPG213-10KJ | . CAPACITOR, FIXED, PLASTIC (F0350) 0,01MF±5% 250V | | | | | | | 1 | |
| C26 | UG85-10V100MM | . CAPACITOR, FIXED, ELECTRO (F6180) 100MF±20% 10V | | | | | | | 1 | |
| C27 | CTS13P16V22MM | . CAPACITOR, FIXED, ELECTRO (F0115) 2,2MF±20% 16V | | | | | | | 1 | |
| C31 | IPD213-82KK | . CAPACITOR, FIXED, PLASTIC (F0350) 0,082MF±10% 63V | | | | | | | 1 | |
| C33 | CTS13P20V2M2M | . CAPACITOR, FIXED, ELECTRO (F0115) 2,2MF±20% 20V | | | | | | | 1 | |
| C34 | IPG213-10KJ | . CAPACITOR, FIXED, PLASTIC (F0350) 0,01MF±5% 250V | | | | | | | 1 | |
| C35 | CTS13P20V2M2M | . CAPACITOR, FIXED, ELECTRO (F0115) 2,2MF±20% 20V | | | | | | | 1 | |
| C36 | CTS13P10V4M7M | . CAPACITOR, FIXED, ELECTRO (F0115) 4,7MF±20% 10V | | | | | | | 1 | |
| C37 | CTS13P6V47MM | . CAPACITOR, FIXED, ELECTRO (F0115) 4,7MF±20% 6V | | | | | | | 1 | |
| C41 | CTS13P20V2M2M | . CAPACITOR, FIXED, ELECTRO (F0115) 2,2MF±20% 20V | | | | | | | 1 | |
| C42 | CE13-3C220UK | . CAPACITOR, FIXED, CERAMIC (F0115) 220PF±10% 100V | | | | | | | 1 | |
| C43 | UG85-16V68MM | . CAPACITOR, FIXED, ELECTRO (F6180) 68MF±20% 16V | | | | | | | 1 | |
| C44 | CN31-5-2K2M | . CAPACITOR, FIXED, CERAMIC (F0115) 2200PF±20% 100V | | | | | | | 1 | |
| C45 | CTS13P35V1MM | . CAPACITOR, FIXED, ELECTRO (F0115) 1MF±20% 40V | | | | | | | 1 | |
| C46 | CTS13P10V4M7M | . CAPACITOR, FIXED, ELECTRO (F0115) 4,7MF±20% 10V | | | | | | | 1 | |
| C47 | CTS13P10V4M7M | . CAPACITOR, FIXED, ELECTRO (F0115) 4,7MF±20% 10V | | | | | | | 1 | |
| C48 | CE13-3C82UK | . CAPACITOR, FIXED, CERAMIC (F0115) 82PF±10% 100V | | | | | | | 1 | |
| C51 | UG85-10V100MM | . CAPACITOR, FIXED, ELECTRO (F6180) 100MF±20% 10V | | | | | | | 1 | |
| C52 | UFW606-10KJL | . CAPACITOR, FIXED, CERAMIC (F0350) 0,01MF±20±80%16V | | | | | | | 1 | |
| C53 | UG85-10V100MM | . CAPACITOR, FIXED, ELECTRO (F6180) 100MF±20% 10V | | | | | | | 1 | |
| C54 | CTS13P20V100KM | . CAPACITOR, FIXED, ELECTRO (F0115) 0,1MF±20% 20V | | | | | | | 1 | |
| C55 | UFW606-10KJL | . CAPACITOR, FIXED, CERAMIC (F0350) 0,01MF±20±80%16V | | | | | | | 1 | |
| C56 | CTS13P20V100KM | . CAPACITOR, FIXED, ELECTRO (F0115) 0,1MF±20% 20V | | | | | | | 1 | |
| C61 | CE13-3C560UK | . CAPACITOR, FIXED, CERAMIC (F0115) 560PF±10% 100V | | | | | | | 1 | |
| CR3 | 1N647 | . DIODE, SEMI-CONDUCTOR (F0115) 1N647 | | | | | | | 1 | |
| CR4 | BZX83C3V3 | . DIODE, SEMI-CONDUCTOR (F4601) BZX83C3V3 | | | | | | | 1 | |
| CR5 | 1N547 | . DIODE, SEMI-CONDUCTOR (F0115) 1N647 | | | | | | | 1 | |
| CR6 | 1N4148 | . DIODE, SEMI-CONDUCTOR (F0115) 1N4148 | | | | | | | 1 | |
| CR7 | 1N4148 | . DIODE, SEMI-CONDUCTOR (F0115) 1N4148 | | | | | | | 1 | |
| CR8 | 1N4148 | . DIODE, SEMI-CONDUCTOR (F0115) 1N4148 | | | | | | | 1 | |
| CR9 | 1N4148 | . DIODE, SEMI-CONDUCTOR (F0115) 1N4148 | | | | | | | 1 | |
| CR11 | 1N4148 | . DIODE, SEMI-CONDUCTOR (F0115) 1N4148 | | | | | | | 1 | |
| CR12 | 1N4148 | . DIODE, SEMI-CONDUCTOR (F0115) 1N4148 | | | | | | | 1 | |
| CR13 | 1N4148 | . DIODE, SEMI-CONDUCTOR (F0115) 1N4148 | | | | | | | 1 | |
| CR14 | 1N4148 | . DIODE, SEMI-CONDUCTOR (F0115) 1N4148 | | | | | | | 1 | |
| CR15 | 1N4148 | . DIODE, SEMI-CONDUCTOR (F0115) 1N4148 | | | | | | | 1 | |
| CR16 | 1N4148 | . DIODE, SEMI-CONDUCTOR (F0115) 1N4148 | | | | | | | 1 | |

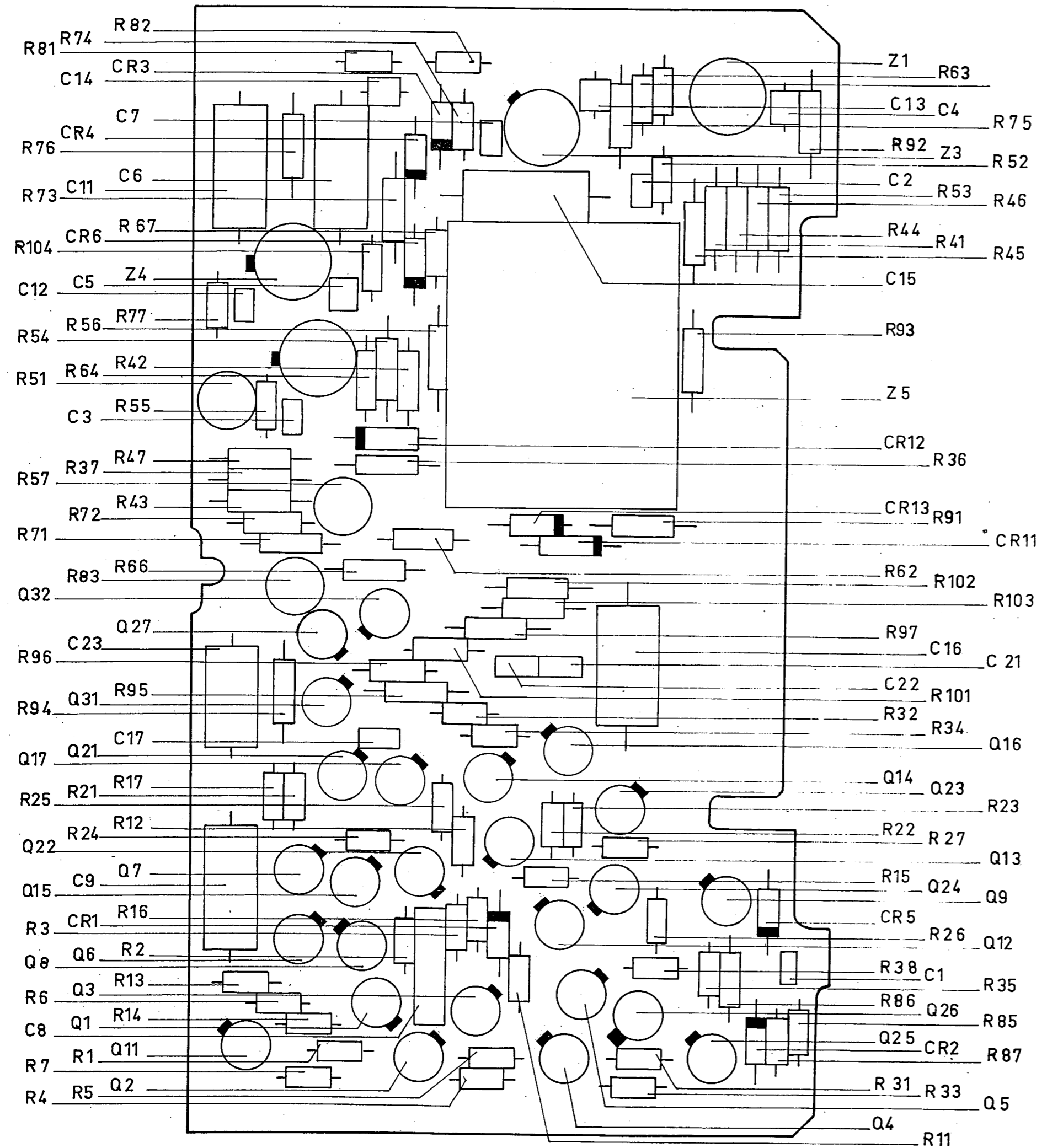
| INDEX | MANUFACTURER'S PART NUMBER | DESCRIPTION | | | | | | QTY | AP | |
|-------|-------------------------------|-------------|-------------------------------|------------------------------|---|---|---|-----|----|---|
| | | 1 | 2 | 3 | 4 | 5 | 6 | | | 7 |
| CR17 | 1N4148 | . | DIODE, SEMI-CONDUCTOR (F0115) | 1N4148 | | | | | 1 | |
| CR18 | 1N4148 | . | DIODE, SEMI-CONDUCTOR (F0115) | 1N4148 | | | | | 1 | |
| Q2 | 2N2905-1 | . | TRANSISTOR (F0115) | 2N2905-1 | | | | | 1 | |
| Q3 | 2N2222A1 | . | TRANSISTOR (F0115) | 2N2222A1 | | | | | 1 | |
| Q4 | 2N2484-1 | . | TRANSISTOR (F0115) | 2N2484-1 | | | | | 1 | |
| Q5 | 2N2907 | . | TRANSISTOR (F0115) | 2N2907 | | | | | 1 | |
| Q6 | 2N2907 | . | TRANSISTOR (F0115) | 2N2907 | | | | | 1 | |
| Q7 | 2N2484-1 | . | TRANSISTOR (F0115) | 2N2484-1 | | | | | 1 | |
| Q8 | E113 | . | TRANSISTOR (17856) | E113 | | | | | 1 | |
| Q11 | 2N2222 | . | TRANSISTOR (F0115) | 2N2222 | | | | | 1 | |
| Q12 | 2N2222 | . | TRANSISTOR (F0115) | 2N2222 | | | | | 1 | |
| Q13 | 2N2222A1 | . | TRANSISTOR (F0115) | 2N2222A1 | | | | | 1 | |
| Q14 | 2N2222A1 | . | TRANSISTOR (F0115) | 2N2222A1 | | | | | 1 | |
| Q16 | 2N2907 | . | TRANSISTOR (F0115) | 2N2907 | | | | | 1 | |
| Q21 | 2N2484-1 | . | TRANSISTOR (F0115) | 2N2484-1 | | | | | 1 | |
| Q22 | 2N2907 | . | TRANSISTOR (F0115) | 2N2907 | | | | | 1 | |
| Q23 | 2N2222 | . | TRANSISTOR (F0115) | 2N2222 | | | | | 1 | |
| Q24 | 15160362 | . | TRANSISTOR | | | | | | 1 | |
| Q25 | 2N2484-1 | . | TRANSISTOR (F0115) | 2N2484-1 | | | | | 1 | |
| Q26 | 2N2222A1 | . | TRANSISTOR (F0115) | 2N2222A1 | | | | | 1 | |
| R1 | RC2T100UJ | . | RESISTOR, FIXED, FILM (F0114) | 100 Ω \pm 5% 1/4W | | | | | 1 | |
| R4 | RC8U2K05G | . | RESISTOR, FIXED, FILM (F0114) | 2,05K Ω \pm 2% 1/8W | | | | | 1 | |
| R5 | RC2T2K2J | . | RESISTOR, FIXED, FILM (F0114) | 2,2K Ω \pm 5% 1/4W | | | | | 1 | |
| R6 | RC2T180UJ | . | RESISTOR, FIXED, FILM (F0114) | 180 Ω \pm 5% 1/4W | | | | | 1 | |
| R7 | RC2T10UJ | . | RESISTOR, FIXED, FILM (F0114) | 10 Ω \pm 5% 1/4W | | | | | 1 | |
| R8 | RC2T1KJ | . | RESISTOR, FIXED, FILM (F0114) | 1K Ω \pm 5% 1/4W | | | | | 1 | |
| R11 | RC8U51K1G | . | RESISTOR, FIXED, FILM (F0114) | 1,1K Ω \pm 2% 1/8W | | | | | 1 | |
| R13 | RC2T3K3J | . | RESISTOR, FIXED, FILM (F0114) | 3,3K Ω \pm 5% 1/4W | | | | | 1 | |
| R15 | RC2T10KJ | . | RESISTOR, FIXED, FILM (F0114) | 10K Ω \pm 5% 1/4W | | | | | 1 | |
| R16 | RBX001-330KJ | . | RESISTOR, FIXED, FILM (F0350) | 330K Ω \pm 5% 1/4W | | | | | 1 | |
| R17 | RC2T10KJ | . | RESISTOR, FIXED, FILM (F0114) | 10K Ω \pm 5% 1/4W | | | | | 1 | |
| R21 | RC2T10KJ | . | RESISTOR, FIXED, FILM (F0114) | 10K Ω \pm 5% 1/4W | | | | | 1 | |
| R22 | RC2T10UJ | . | RESISTOR, FIXED, FILM (F0114) | 10 Ω \pm 5% 1/4W | | | | | 1 | |
| R23 | RC2T10KJ | . | RESISTOR, FIXED, FILM (F0114) | 10K Ω \pm 5% 1/4W | | | | | 1 | |
| R24 | RC2T22KJ | . | RESISTOR, FIXED, FILM (F0114) | 22K Ω \pm 5% 1/4W | | | | | 1 | |
| R25 | RC2T1KJ | . | RESISTOR, FIXED, FILM (F0114) | 1K Ω \pm 5% 1/4W | | | | | 1 | |
| R26 | RC2T22KJ | . | RESISTOR, FIXED, FILM (F0114) | 22K Ω \pm 5% 1/4W | | | | | 1 | |
| R27 | RC2T10KJ | . | RESISTOR, FIXED, FILM (F0114) | 10K Ω \pm 5% 1/4W | | | | | 1 | |
| R28 | RC2T3K3J | . | RESISTOR, FIXED, FILM (F0114) | 3,3K Ω \pm 5% 1/4W | | | | | 1 | |
| R31 | RC2T4K7J | . | RESISTOR, FIXED, FILM (F0114) | 4,7K Ω \pm 5% 1/4W | | | | | 1 | |
| R32 | RC2T2K2J | . | RESISTOR, FIXED, FILM (F0114) | 2,2K Ω \pm 5% 1/4W | | | | | 1 | |
| R33 | RC2T220UJ | . | RESISTOR, FIXED, FILM (F0114) | 220 Ω \pm 5% 1/4W | | | | | 1 | |
| R34 | RC2T10KJ | . | RESISTOR, FIXED, FILM (F0114) | 10K Ω \pm 5% 1/4W | | | | | 1 | |
| R35 | RS58Y7K5F | . | RESISTOR, FIXED, FILM (F0114) | 7,5K Ω \pm 1% 1/8W | | | | | 1 | |
| R37 | RC2T470UJ | . | RESISTOR, FIXED, FILM (F0114) | 470 Ω \pm 5% 1/4W | | | | | 1 | |
| R41 | RC2T7K5J | . | RESISTOR, FIXED, FILM (F0114) | 7,5K Ω \pm 5% 1/4W | | | | | 1 | |
| R42 | RC2T180UJ | . | RESISTOR, FIXED, FILM (F0114) | 180 Ω \pm 5% 1/4W | | | | | 1 | |
| R43 | RC2T6K8J | . | RESISTOR, FIXED, FILM (F0114) | 6,8K Ω \pm 5% 1/4W | | | | | 1 | |
| R44 | RC2T5K6J | . | RESISTOR, FIXED, FILM (F0114) | 5,6K Ω \pm 5% 1/4W | | | | | 1 | |
| R45 | RS58Y3K65F | . | RESISTOR, FIXED, FILM (F0114) | 3,65K Ω \pm 1% 1/8W | | | | | 1 | |
| R46 | RC2T15KJ | . | RESISTOR, FIXED, FILM (F0114) | 15K Ω \pm 5% 1/4W | | | | | 1 | |
| R47 | RS58Y7K5F | . | RESISTOR, FIXED, FILM (F0114) | 7,5K Ω \pm 1% 1/8W | | | | | 1 | |
| R48 | RC2T100KJ | . | RESISTOR, FIXED, FILM (F0114) | 100K Ω \pm 5% 1/4W | | | | | 1 | |
| R49 | RC2T1KJ | . | RESISTOR, FIXED, FILM (F0114) | 1K Ω \pm 5% 1/4W | | | | | 1 | |
| R51 | RC2T1K6J | . | RESISTOR, FIXED, FILM (F0114) | 1,6K Ω \pm 5% 1/4W | | | | | 1 | |
| R52 | RC2T1K6J | . | RESISTOR, FIXED, FILM (F0114) | 1,6K Ω \pm 5% 1/4W | | | | | 1 | |
| R53 | RC2T4K7J | . | RESISTOR, FIXED, FILM (F0114) | 4,7K Ω \pm 5% 1/4W | | | | | 1 | |

| INDEX | MANUFACTURER'S PART NUMBER | DESCRIPTION | | | | | | | QTY | AP | |
|-------|-------------------------------|-------------|--------------------------------|--------------------|------|---|---|---|-----|----|--|
| | | 1 | 2 | 3 | 4 | 5 | 6 | 7 | | | |
| R54 | RC2T1KJ | . | RESISTOR, FIXED, FILM (F0114) | 1K Ω ±5% | 1/4W | | | | | 1 | |
| R55 | RC2T220UJ | . | RESISTOR, FIXED, FILM (F0114) | 220 Ω ±5% | 1/4W | | | | | 1 | |
| R56 | RC2T1KJ | . | RESISTOR, FIXED, FILM (F0114) | 1K Ω ±5% | 1/4W | | | | | 1 | |
| R57 | RC2T22KJ | . | RESISTOR, FIXED, FILM (F0114) | 22K Ω ±5% | 1/4W | | | | | 1 | |
| R61 | RC2T10KJ | . | RESISTOR, FIXED, FILM (F0114) | 10K Ω ±5% | 1/4W | | | | | 1 | |
| R62 | RC2T4K7J | . | RESISTOR, FIXED, FILM (F0114) | 4,7K Ω ±5% | 1/4W | | | | | 1 | |
| R65 | RC2T100UJ | . | RESISTOR, FIXED, FILM (F0114) | 100 Ω ±5% | 1/4W | | | | | 1 | |
| R66 | RC2T33KJ | . | RESISTOR, FIXED, FILM (F0114) | 33K Ω ±5% | 1/4W | | | | | 1 | |
| R71 | RC2T1KJ | . | RESISTOR, FIXED, FILM (F0114) | 1K Ω ±5% | 1/4W | | | | | 1 | |
| R72 | RC2T27UJ | . | RESISTOR, FIXED, FILM (F0114) | 27 Ω ±5% | 1/4W | | | | | 1 | |
| R73 | RC2T5K6J | . | RESISTOR, FIXED, FILM (F0114) | 5,6K Ω ±5% | 1/4W | | | | | 1 | |
| R74 | RC2T5K6J | . | RESISTOR, FIXED, FILM (F0114) | 5,6K Ω ±5% | 1/4W | | | | | 1 | |
| R75 | RC2T330UJ | . | RESISTOR, FIXED, FILM (F0114) | 330 Ω ±5% | 1/4W | | | | | 1 | |
| R76 | RC2T47KJ | . | RESISTOR, FIXED, FILM (F0114) | 47K Ω ±5% | 1/4W | | | | | 1 | |
| R77 | RC2T10KJ | . | RESISTOR, FIXED, FILM (F0114) | 10K Ω ±5% | 1/4W | | | | | 1 | |
| R82 | RC2T10KJ | . | RESISTOR, FIXED, FILM (F0114) | 10K Ω ±5% | 1/4W | | | | | 1 | |
| R83 | RC2T100UJ | . | RESISTOR, FIXED, FILM (F0114) | 100 Ω ±5% | 1/4W | | | | | 1 | |
| R84 | RC2T22KJ | . | RESISTOR, FIXED, FILM (F0114) | 22K Ω ±5% | 1/4W | | | | | 1 | |
| R85 | RC2T4K22G | . | RESISTOR, FIXED, FILM (F0114) | 4,22K Ω ±2% | 1/4W | | | | | 1 | |
| R86 | RC2T5K62G | . | RESISTOR, FIXED, FILM (F0114) | 5,62K Ω ±2% | 1/4W | | | | | 1 | |
| R87 | RC2T27KJ | . | RESISTOR, FIXED, FILM (F0114) | 27K Ω ±5% | 1/4W | | | | | 1 | |
| R88 | 566-00HS10KK | . | RESISTOR, VARIABLE (F1379) | 10K Ω ±10% | 0,5W | | | | | 1 | |
| R91 | RC2T27KJ | . | RESISTOR, FIXED, FILM (F0114) | 27K Ω ±5% | 1/4W | | | | | 1 | |
| R92 | RC2T100KJ | . | RESISTOR, FIXED, FILM (F0114) | 100K Ω ±5% | 1/4W | | | | | 1 | |
| R93 | RC2T22KJ | . | RESISTOR, FIXED, FILM (F0114) | 22K Ω ±5% | 1/4W | | | | | 1 | |
| R97 | RC2T33KJ | . | RESISTOR, FIXED, FILM (F0114) | 33K Ω ±5% | 1/4W | | | | | 1 | |
| R102 | RC2T18KJ | . | RESISTOR, FIXED, FILM (F0114) | 18K Ω ±5% | 1/4W | | | | | 1 | |
| R103 | RC2T4K7J | . | RESISTOR, FIXED, FILM (F0114) | 4,7K Ω ±5% | 1/4W | | | | | 1 | |
| R104 | RC2T27KJ | . | RESISTOR, FIXED, FILM (F0114) | 27K Ω ±5% | 1/4W | | | | | 1 | |
| R105 | RC2T100KJ | . | RESISTOR, FIXED, FILM (F0114) | 100K Ω ±5% | 1/4W | | | | | 1 | |
| R111 | RC2T10KJ | . | RESISTOR, FIXED, FILM (F0114) | 10K Ω ±5% | 1/4W | | | | | 1 | |
| R112 | RC2T100KJ | . | RESISTOR, FIXED, FILM (F0114) | 100K Ω ±5% | 1/4W | | | | | 1 | |
| R113 | RC2T100KJ | . | RESISTOR, FIXED, FILM (F0114) | 100K Ω ±5% | 1/4W | | | | | 1 | |
| R114 | RC2T100KJ | . | RESISTOR, FIXED, FILM (F0114) | 100K Ω ±5% | 1/4W | | | | | 1 | |
| R115 | RBX001-1MJ | . | RESISTOR, FIXED, FILM (F0350) | 1M Ω ±5% | 1/4W | | | | | 1 | |
| R116 | RBX001-1MJ | . | RESISTOR, FIXED, FILM (F0350) | 1M Ω ±5% | 1/4W | | | | | 1 | |
| R117 | RC2T22KJ | . | RESISTOR, FIXED, FILM (F0114) | 22K Ω ±5% | 1/4W | | | | | 1 | |
| R121 | RC2T33UJ | . | RESISTOR, FIXED, FILM (F0114) | 33 Ω ±5% | 1/4W | | | | | 1 | |
| Z1 | MA741 | . | MICROSTRUCTURE, LINEAR (F3223) | MA741 | | | | | | 1 | |
| Z2 | TAA611E55 | . | MICROSTRUCTURE, LOGIC (F3223) | TAA611E55 | | | | | | 1 | |
| Z3 | MA741 | . | MICROSTRUCTURE, LINEAR (F3223) | MA741 | | | | | | 1 | |



PL.1. EXCITER PC BOARD ASSEMBLY

| DRAWING ITEM | MANUFACTURER'S PART NUMBER | DESCRIPTION | 1 2 3 4 5 6 7 | | | | | | | Qty | Proc. |
|-----------------|-------------------------------|---|---------------|--|--|--|--|--|--|-----|-------|
| | | | | | | | | | | | |
| A21 | 15028214 | PC BOARD ASSEMBLY (EXCITER) (SEE PART 2, SECTION 02, PLATE 01) | | | | | | | | FM | |
| C1 | 1PD213-82KK | . CAPACITOR, FIXED, PLASTIC (F0350) 0,082MF±10% 63V | | | | | | | | 1 | |
| C2 | 1PF213-22KK | . CAPACITOR, FIXED, PLASTIC (F0350) 0,022MF±10% 160V | | | | | | | | 1 | |
| C3 | UFW606-10KJL | . CAPACITOR, FIXED, CERAMIC (F0350) 0,01MF-20+80% 16V | | | | | | | | 1 | |
| C4 | CTS13P35V1MM | . CAPACITOR, FIXED, ELECTRO (F0115) 1MF±20% 40V | | | | | | | | 1 | |
| C5 | CTS13P20V2M2M | . CAPACITOR, FIXED, ELECTRO (F0115) 2,2MF±20% 20V | | | | | | | | 1 | |
| C6 | UFW606-10KJL | . CAPACITOR, FIXED, CERAMIC (F0350) 0,01MF-20+80% 16V | | | | | | | | 1 | |
| C7 | 1PD213-82KK | . CAPACITOR, FIXED, PLASTIC (F0350) 0,082MF±10% 63V | | | | | | | | 1 | |
| C8 | 1PD213-47KK | . CAPACITOR, FIXED, PLASTIC (F0350) 0,047MF±10% 63V | | | | | | | | 1 | |
| C9 | CTS13P35V1MM | . CAPACITOR, FIXED, ELECTRO (F0115) 1MF±20% 40V | | | | | | | | 1 | |
| C11 | 1PD213-82KK | . CAPACITOR, FIXED, PLASTIC (F0350) 0,082MF±10% 63V | | | | | | | | 1 | |
| C12 | CTS13P20V2M2M | . CAPACITOR, FIXED, ELECTRO (F0115) 2,2MF±20% 20V | | | | | | | | 1 | |
| C13 | CTS13P10V4M7M | . CAPACITOR, FIXED, ELECTRO (F0115) 4,7MF±20% 10V | | | | | | | | 1 | |
| C14 | 1PD213-82KK | . CAPACITOR, FIXED, PLASTIC (F0350) 0,082MF±10% 63V | | | | | | | | 1 | |
| C15 | UFW606-10KJL | . CAPACITOR, FIXED, CERAMIC (F0350) 0,01MF-20+80% 16V | | | | | | | | 1 | |
| C16 | UFW606-10KJL | . CAPACITOR, FIXED, CERAMIC (F0350) 0,01MF-20+80% 16V | | | | | | | | 1 | |
| C17 | UFW606-10KJL | . CAPACITOR, FIXED, CERAMIC (F0350) 0,01MF-20+80% 16V | | | | | | | | 1 | |
| C21 | 1PF213-22KK | . CAPACITOR, FIXED, PLASTIC (F0350) 0,022MF±10% 160V | | | | | | | | 1 | |
| C22 | CTS13P10V4M7M | . CAPACITOR, FIXED, ELECTRO (F0115) 4,7MF±20% 10V | | | | | | | | 1 | |
| C23 | CTS13P25V10MM | . CAPACITOR, FIXED, ELECTRO (F0115) 10MF±20% 25V | | | | | | | | 1 | |
| C24 | CTS13P20V2M2M | . CAPACITOR, FIXED, ELECTRO (F0115) 2,2MF±20% 20V | | | | | | | | 1 | |
| C25 | DQX704-1KM | . CAPACITOR, FIXED, CERAMIC (F0350) 1000PF±20% 100V | | | | | | | | 1 | |
| C26 | DQX704-1KM | . CAPACITOR, FIXED, CERAMIC (F0350) 1000PF±20% 100V | | | | | | | | 1 | |
| C27 | 1PD213-82KK | . CAPACITOR, FIXED, PLASTIC (F0350) 0,082MF±10% 63V | | | | | | | | 1 | |
| C28 | CN31-5-10KM | . CAPACITOR, FIXED, CERAMIC (F0115) 0,01MF±20% 100V | | | | | | | | 1 | |
| C29 | CN31-5-10KM | . CAPACITOR, FIXED, CERAMIC (F0115) 0,01MF±20% 100V | | | | | | | | 1 | |
| C31 | UFW606-10KJL | . CAPACITOR, FIXED, CERAMIC (F0350) 0,01MF-20+80% 16V | | | | | | | | 1 | |
| C32 | UFW606-10KJL | . CAPACITOR, FIXED, CERAMIC (F0350) 0,01MF-20+80% 16V | | | | | | | | 1 | |
| C33 | UFW606-10KJL | . CAPACITOR, FIXED, CERAMIC (F0350) 0,01MF-20+80% 16V | | | | | | | | 1 | |
| C34 | UFW606-10KJL | . CAPACITOR, FIXED, CERAMIC (F0350) 0,01MF-20+80% 16V | | | | | | | | 1 | |
| C35 | 1PD213-82KK | . CAPACITOR, FIXED, PLASTIC (F0350) 0,082MF±10% 63V | | | | | | | | 1 | |
| C36 | UFW606-10KJL | . CAPACITOR, FIXED, CERAMIC (F0350) 0,01MF-20+80% 16V | | | | | | | | 1 | |
| C37 | UFW606-10KJL | . CAPACITOR, FIXED, CERAMIC (F0350) 0,01MF-20+80% 16V | | | | | | | | 1 | |
| C41 | UFW606-10KJL | . CAPACITOR, FIXED, CERAMIC (F0350) 0,01MF-20+80% 16V | | | | | | | | 1 | |
| C42 | 1PD213-82KK | . CAPACITOR, FIXED, PLASTIC (F0350) 0,082MF±10% 63V | | | | | | | | 1 | |
| C43 | UFW606-10KJL | . CAPACITOR, FIXED, CERAMIC (F0350) 0,01MF-20+80% 16V | | | | | | | | 1 | |
| C44 | 1PD213-82KK | . CAPACITOR, FIXED, PLASTIC (F0350) 0,082MF±10% 63V | | | | | | | | 1 | |
| C45 | 1PD213-82KK | . CAPACITOR, FIXED, PLASTIC (F0350) 0,082MF±10% 63V | | | | | | | | 1 | |
| C47 | CE13-3-180UJ | . CAPACITOR, FIXED, CERAMIC (F0115) 180PF±5% 100V | | | | | | | | 1 | |
| C51 | 1PD213-82KK | . CAPACITOR, FIXED, PLASTIC (F0350) 0,082MF±10% 63V | | | | | | | | 1 | |
| C52 | UFW606-10KJL | . CAPACITOR, FIXED, CERAMIC (F0350) 0,01MF-20+80% 16V | | | | | | | | 1 | |
| C53 | CTS13P20V2M2M | . CAPACITOR, FIXED, ELECTRO (F0115) 22MF±20% 16V | | | | | | | | 1 | |
| C54 | SBM1R16V1MM | . CAPACITOR, FIXED, ELECTRO (F3422) 1MF±20% 20V | | | | | | | | 1 | |
| CR1 | 1N4148 | . DIODE, SEMI-CONDUCTOR (F0115) 1N4148 | | | | | | | | 1 | |
| CR2 | 1N4148 | . DIODE, SEMI-CONDUCTOR (F0115) 1N4148 | | | | | | | | 1 | |
| CR3 | 1N4153 | . DIODE, SEMI-CONDUCTOR (F4601) 1N4153 | | | | | | | | 1 | |
| CR4 | 1N4153 | . DIODE, SEMI-CONDUCTOR (F4601) 1N4153 | | | | | | | | 1 | |
| CR5 | 1N4148 | . DIODE, SEMI-CONDUCTOR (F0115) 1N4148 | | | | | | | | 1 | |
| CR6 | 1N4153 | . DIODE, SEMI-CONDUCTOR (F4601) 1N4153 | | | | | | | | 1 | |
| CR7 | 1N4153 | . DIODE, SEMI-CONDUCTOR (F4601) 1N4153 | | | | | | | | 1 | |

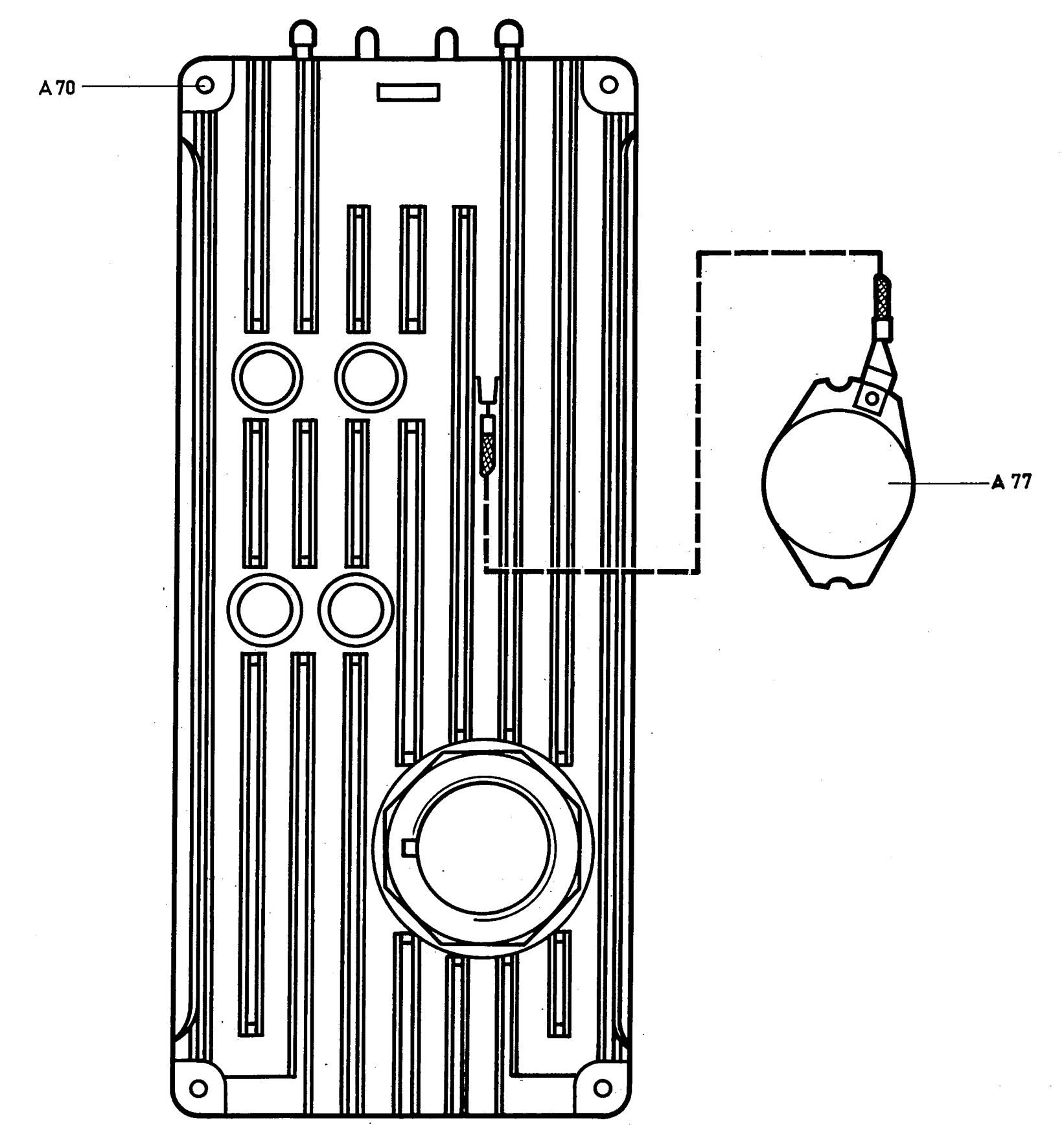
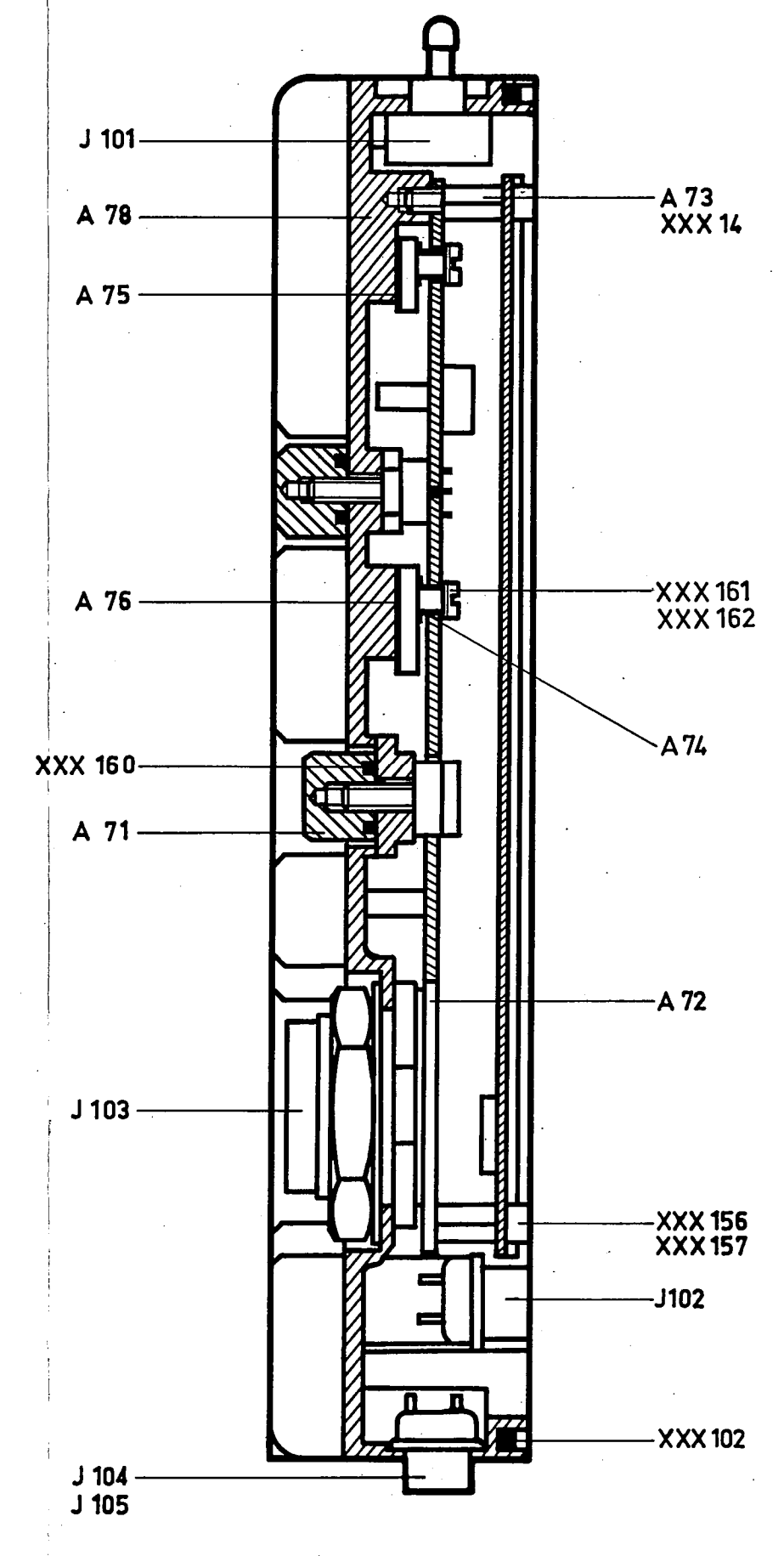
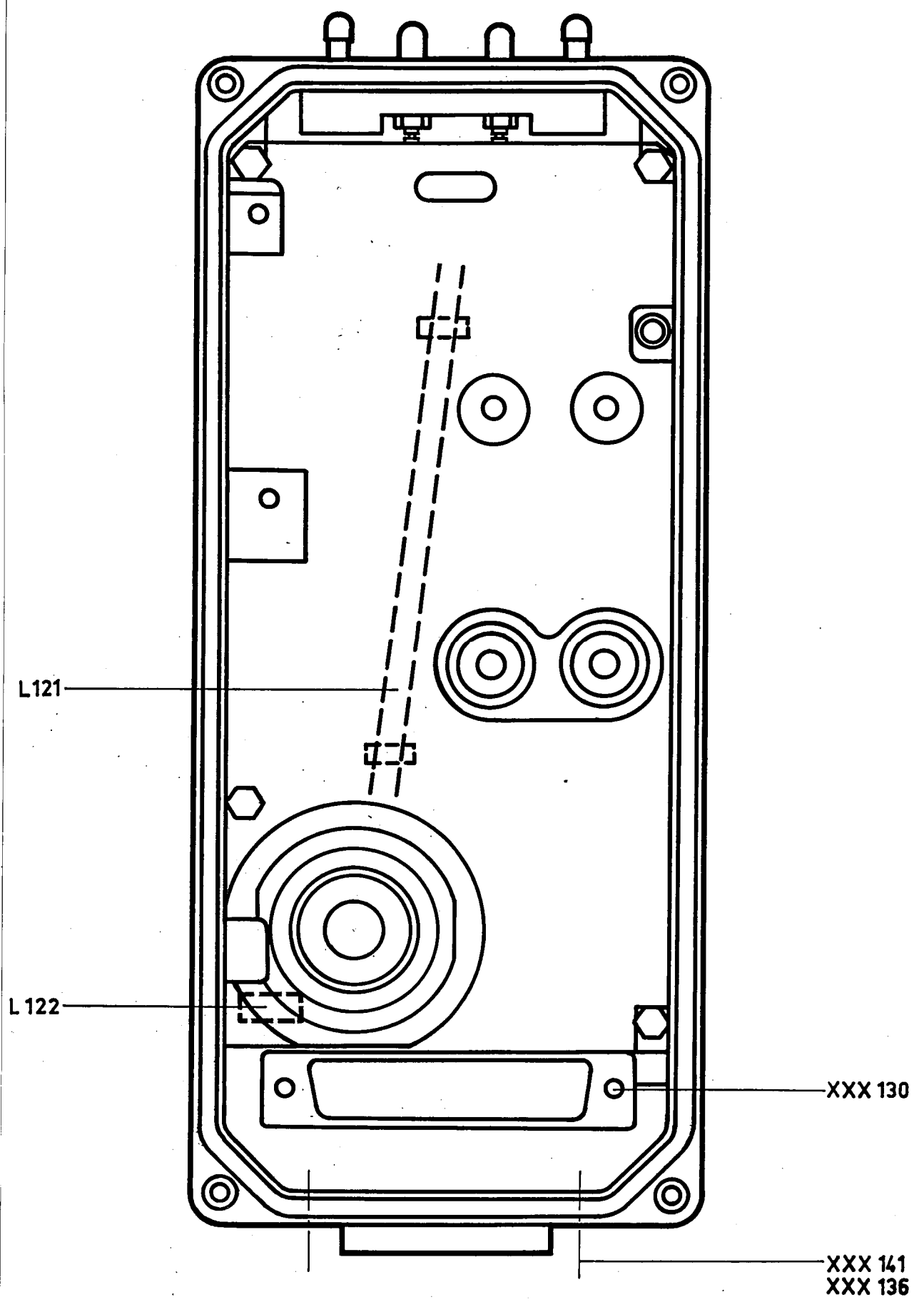


PL.1. PERIPHERAL CIRCUITS PC BOARD ASSEMBLY

| DRAWING ITEM | MANUFACTURER'S PART NUMBER | DESCRIPTION | 1 2 3 4 5 6 7 | | | | | | | Qty | Proc. |
|-----------------|-------------------------------|---|---------------|--|--|--|--|--|--|-----|-------|
| | | | | | | | | | | | |
| A22 | 15028215 | PC BOARD ASSEMBLY (PERIPHERAL CIRCUITS) (SEE PART 2, SECTION 02, PLATE 01) | | | | | | | | FM | |
| C1 | CN31-5-1KM | . CAPACITOR, FIXED, CERAMIC (F0115) 1000PF±20% 100V | | | | | | | | 1 | |
| C2 | CN31-5-2K2M | . CAPACITOR, FIXED, CERAMIC (F0115) 2200PF±20% 100V | | | | | | | | 1 | |
| C3 | CN31-5-2K2M | . CAPACITOR, FIXED, CERAMIC (F0115) 2200PF±20% 100V | | | | | | | | 1 | |
| C4 | CN2-5-100UM | . CAPACITOR, FIXED, CERAMIC (F0115) 100PF±20% 100V | | | | | | | | 1 | |
| C5 | CN2-5-100UM | . CAPACITOR, FIXED, CERAMIC (F0115) 100PF±20% 100V | | | | | | | | 1 | |
| C6 | KM711-40V470KM | . CAPACITOR, FIXED, PAPER (F1379) 0,47MF±20% 40V | | | | | | | | 1 | |
| C7 | CN2-5-2K2M | . CAPACITOR, FIXED, CERAMIC (F0115) 2200PF±20% 100V | | | | | | | | 1 | |
| C8 | IPD213-82KK | . CAPACITOR, FIXED, PLASTIC (F0350) 0,082MF±10% 63V | | | | | | | | 1 | |
| C9 | KM711-40V470KM | . CAPACITOR, FIXED, PAPER (F1379) 0,47MF±20% 40V | | | | | | | | 1 | |
| C11 | KM711-40V470KM | . CAPACITOR, FIXED, PAPER (F1379) 0,47MF±20% 40V | | | | | | | | 1 | |
| C12 | CN31-5-470UM | . CAPACITOR, FIXED, CERAMIC (F0115) 470PF±20% 100V | | | | | | | | 1 | |
| C13 | CN2-5-100UM | . CAPACITOR, FIXED, CERAMIC (F0115) 100PF±20% 100V | | | | | | | | 1 | |
| C14 | CN31-5-22UM | . CAPACITOR, FIXED, CERAMIC (F0115) 22PF±20% 500V | | | | | | | | 1 | |
| C15 | CTS13P10V33MM | . CAPACITOR, FIXED, ELECTRO (F0115) 33MF±20% 10V | | | | | | | | 1 | |
| C16 | C021-10V22MFK | . CAPACITOR, FIXED, ELECTRO (F0115) 22MF±50-10% 10V | | | | | | | | 1 | |
| C17 | CN31-5-10KM | . CAPACITOR, FIXED, CERAMIC (F0115) 0,01MF±20% 100V | | | | | | | | 1 | |
| C21 | CN31-5-10KM | . CAPACITOR, FIXED, CERAMIC (F0115) 0,01MF±20% 100V | | | | | | | | 1 | |
| C22 | CN31-5-10KM | . CAPACITOR, FIXED, CERAMIC (F0115) 0,01MF±20% 100V | | | | | | | | 1 | |
| C23 | CTS13P20V2M2M | . CAPACITOR, FIXED, ELECTRO (F0115) 2,2MF±20% 20V | | | | | | | | 1 | |
| CR1 | 1N4148 | . DIODE, SEMI-CONDUCTOR (F0115) 1N4148 | | | | | | | | 1 | |
| CR2 | 1N4148 | . DIODE, SEMI-CONDUCTOR (F0115) 1N4148 | | | | | | | | 1 | |
| CR3 | 1N4148 | . DIODE, SEMI-CONDUCTOR (F0115) 1N4148 | | | | | | | | 1 | |
| CR4 | 1N4148 | . DIODE, SEMI-CONDUCTOR (F0115) 1N4148 | | | | | | | | 1 | |
| CR5 | 1N4148 | . DIODE, SEMI-CONDUCTOR (F0115) 1N4148 | | | | | | | | 1 | |
| CR6 | 1N4148 | . DIODE, SEMI-CONDUCTOR (F0115) 1N4148 | | | | | | | | 1 | |
| CR11 | 15P1 | . DIODE, SEMI-CONDUCTOR (F0115) 15P1 | | | | | | | | 1 | |
| CR12 | 15P1 | . DIODE, SEMI-CONDUCTOR (F0115) 15P1 | | | | | | | | 1 | |
| CR13 | BZX46C6V2 | . DIODE, SEMI-CONDUCTOR (F4601) BZX46C6V2 | | | | | | | | 1 | |
| Q1 | 2N2907 | . TRANSISTOR (F0115) 2N2907 | | | | | | | | 1 | |
| Q2 | 2N2907 | . TRANSISTOR (F0115) 2N2907 | | | | | | | | 1 | |
| Q3 | 2N2222 | . TRANSISTOR (F0115) 2N2222 | | | | | | | | 1 | |
| Q4 | 2N2907 | . TRANSISTOR (F0115) 2N2907 | | | | | | | | 1 | |
| Q5 | 2N2222 | . TRANSISTOR (F0115) 2N2222 | | | | | | | | 1 | |
| Q6 | 2N2222 | . TRANSISTOR (F0115) 2N2222 | | | | | | | | 1 | |
| Q7 | 2N2907 | . TRANSISTOR (F0115) 2N2907 | | | | | | | | 1 | |
| Q8 | 2N2907 | . TRANSISTOR (F0115) 2N2907 | | | | | | | | 1 | |
| Q9 | 2N2222 | . TRANSISTOR (F0115) 2N2222 | | | | | | | | 1 | |
| Q11 | 2N2907 | . TRANSISTOR (F0115) 2N2907 | | | | | | | | 1 | |
| Q12 | 2N2907 | . TRANSISTOR (F0115) 2N2907 | | | | | | | | 1 | |
| Q13 | 2N2907 | . TRANSISTOR (F0115) 2N2907 | | | | | | | | 1 | |
| Q14 | 2N2222 | . TRANSISTOR (F0115) 2N2222 | | | | | | | | 1 | |
| Q15 | 2N2222 | . TRANSISTOR (F0115) 2N2222 | | | | | | | | 1 | |
| Q16 | 2N2907 | . TRANSISTOR (F0115) 2N2907 | | | | | | | | 1 | |
| Q17 | 2N2907 | . TRANSISTOR (F0115) 2N2907 | | | | | | | | 1 | |
| Q21 | 2N736B | . TRANSISTOR (F0115) 2N736B | | | | | | | | 1 | |
| Q22 | 2N2222 | . TRANSISTOR (F0115) 2N2222 | | | | | | | | 1 | |
| Q23 | 2N2222 | . TRANSISTOR (F0115) 2N2222 | | | | | | | | 1 | |
| Q24 | 2N2907 | . TRANSISTOR (F0115) 2N2907 | | | | | | | | 1 | |

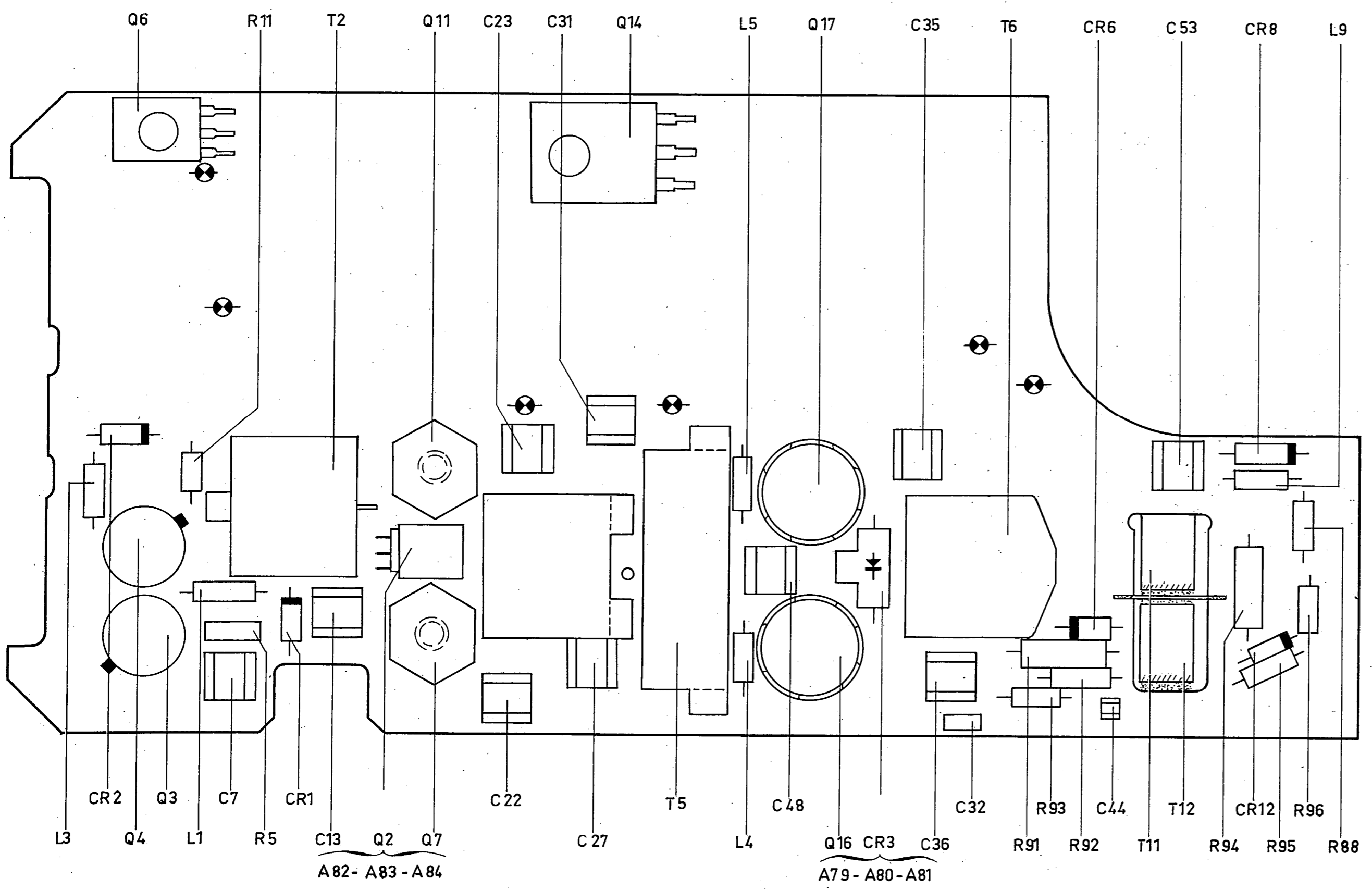
| DRAWING ITEM | MANUFACTURER'S PART NUMBER | DESCRIPTION | | | | | | | Qty | Proc. |
|-----------------|-------------------------------|-------------|-------------------------------|------------------------------|---|---|---|---|-----|-------|
| | | 1 | 2 | 3 | 4 | 5 | 6 | 7 | | |
| Q25 | 2N2222 | . | TRANSISTOR (F0115) | 2N2222 | . | . | . | . | 1 | |
| Q26 | 2N2907 | . | TRANSISTOR (F0115) | 2N2907 | . | . | . | . | 1 | |
| Q27 | 2N2907 | . | TRANSISTOR (F0115) | 2N2907 | . | . | . | . | 1 | |
| Q31 | 2N2907 | . | TRANSISTOR (F0115) | 2N2907 | . | . | . | . | 1 | |
| Q32 | 2N2907 | . | TRANSISTOR (F0115) | 2N2907 | . | . | . | . | 1 | |
| R1 | RC2T5K6J | . | RESISTOR, FIXED, FILM (F0114) | 5,6K Ω \pm 5% 1/4W | . | . | . | . | 1 | |
| R2 | RC2T100KJ | . | RESISTOR, FIXED, FILM (F0114) | 100K Ω \pm 5% 1/4W | . | . | . | . | 1 | |
| R3 | RC2T10KJ | . | RESISTOR, FIXED, FILM (F0114) | 10K Ω \pm 5% 1/4W | . | . | . | . | 1 | |
| R4 | RC2T56KJ | . | RESISTOR, FIXED, FILM (F0114) | 56K Ω \pm 5% 1/4W | . | . | . | . | 1 | |
| R5 | RC2T100KJ | . | RESISTOR, FIXED, FILM (F0114) | 100K Ω \pm 5% 1/4W | . | . | . | . | 1 | |
| R6 | RC2T10KJ | . | RESISTOR, FIXED, FILM (F0114) | 10K Ω \pm 5% 1/4W | . | . | . | . | 1 | |
| R7 | RC2T47KJ | . | RESISTOR, FIXED, FILM (F0114) | 47K Ω \pm 5% 1/4W | . | . | . | . | 1 | |
| R11 | RC2T56KJ | . | RESISTOR, FIXED, FILM (F0114) | 56K Ω \pm 5% 1/4W | . | . | . | . | 1 | |
| R12 | RC2T27KJ | . | RESISTOR, FIXED, FILM (F0114) | 27K Ω \pm 5% 1/4W | . | . | . | . | 1 | |
| R13 | RC2T1KJ | . | RESISTOR, FIXED, FILM (F0114) | 1K Ω \pm 5% 1/4W | . | . | . | . | 1 | |
| R14 | RC2T4K7J | . | RESISTOR, FIXED, FILM (F0114) | 4,7K Ω \pm 5% 1/4W | . | . | . | . | 1 | |
| R15 | RC2T2K7J | . | RESISTOR, FIXED, FILM (F0114) | 2,7K Ω \pm 5% 1/4W | . | . | . | . | 1 | |
| R16 | RC2T100KJ | . | RESISTOR, FIXED, FILM (F0114) | 100K Ω \pm 5% 1/4W | . | . | . | . | 1 | |
| R17 | RC2T1KJ | . | RESISTOR, FIXED, FILM (F0114) | 1K Ω \pm 5% 1/4W | . | . | . | . | 1 | |
| R21 | RC2T4K7J | . | RESISTOR, FIXED, FILM (F0114) | 4,7K Ω \pm 5% 1/4W | . | . | . | . | 1 | |
| R22 | RC2T1KJ | . | RESISTOR, FIXED, FILM (F0114) | 1K Ω \pm 5% 1/4W | . | . | . | . | 1 | |
| R23 | RC2T100KJ | . | RESISTOR, FIXED, FILM (F0114) | 100K Ω \pm 5% 1/4W | . | . | . | . | 1 | |
| R24 | RC2T1KJ | . | RESISTOR, FIXED, FILM (F0114) | 1K Ω \pm 5% 1/4W | . | . | . | . | 1 | |
| R25 | RC2T100KJ | . | RESISTOR, FIXED, FILM (F0114) | 100K Ω \pm 5% 1/4W | . | . | . | . | 1 | |
| R26 | RC2T10KJ | . | RESISTOR, FIXED, FILM (F0114) | 10K Ω \pm 5% 1/4W | . | . | . | . | 1 | |
| R27 | RC2T10KJ | . | RESISTOR, FIXED, FILM (F0114) | 10K Ω \pm 5% 1/4W | . | . | . | . | 1 | |
| R31 | RC2T12KJ | . | RESISTOR, FIXED, FILM (F0114) | 12K Ω \pm 5% 1/4W | . | . | . | . | 1 | |
| R32 | RC2T120UJ | . | RESISTOR, FIXED, FILM (F0114) | 120 Ω \pm 5% 1/4W | . | . | . | . | 1 | |
| R33 | RC2T12KJ | . | RESISTOR, FIXED, FILM (F0114) | 12K Ω \pm 5% 1/4W | . | . | . | . | 1 | |
| R34 | RC2T22UJ | . | RESISTOR, FIXED, FILM (F0114) | 22 Ω \pm 5% 1/4W | . | . | . | . | 1 | |
| R35 | RC2T1K8J | . | RESISTOR, FIXED, FILM (F0114) | 1,8K Ω \pm 5% 1/4W | . | . | . | . | 1 | |
| R36 | RS58Y15KF | . | RESISTOR, FIXED, FILM (F0114) | 15K Ω \pm 1% 1/8W | . | . | . | . | 1 | |
| R37 | RS58Y15KF | . | RESISTOR, FIXED, FILM (F0114) | 15K Ω \pm 1% 1/8W | . | . | . | . | 1 | |
| R38 | RC2T10KJ | . | RESISTOR, FIXED, FILM (F0114) | 10K Ω \pm 5% 1/4W | . | . | . | . | 1 | |
| R41 | RS55D78K7F | . | RESISTOR, FIXED, FILM (F0114) | 78,7K Ω \pm 1% 1/8W | . | . | . | . | 1 | |
| R42 | RS58Y15KF | . | RESISTOR, FIXED, FILM (F0114) | 15K Ω \pm 1% 1/8W | . | . | . | . | 1 | |
| R43 | RS58Y84K5F | . | RESISTOR, FIXED, FILM (F0114) | 84,5K Ω \pm 1% 1/8W | . | . | . | . | 1 | |
| R44 | RS55D78K7F | . | RESISTOR, FIXED, FILM (F0114) | 78,7K Ω \pm 1% 1/8W | . | . | . | . | 1 | |
| R45 | RS55D39K2F | . | RESISTOR, FIXED, FILM (F0114) | 39,2K Ω \pm 1% 1/8W | . | . | . | . | 1 | |
| R46 | RMX0-12-464KF | . | RESISTOR, FIXED, FILM (F0114) | 464K Ω \pm 1% 1/8W | . | . | . | . | 1 | |
| R47 | RS58Y15KF | . | RESISTOR, FIXED, FILM (F0114) | 15K Ω \pm 1% 1/8W | . | . | . | . | 1 | |
| R51 | 566-00HS500UK | . | RESISTOR, VARIABLE (F1379) | 500 Ω \pm 10% 0,5W | . | . | . | . | 1 | |
| R52 | RC2T1K5J | . | RESISTOR, FIXED, FILM (F0114) | 1,5K Ω \pm 5% 1/4W | . | . | . | . | 1 | |
| R53 | RMX0-12-464KF | . | RESISTOR, FIXED, FILM (F0350) | 464K Ω \pm 1% 1/8W | . | . | . | . | 1 | |
| R54 | RS58Y90K9F | . | RESISTOR, FIXED, FILM (F0114) | 90,9K Ω \pm 1% 1/8W | . | . | . | . | 1 | |
| R55 | RC2T1K5J | . | RESISTOR, FIXED, FILM (F0114) | 1,5K Ω \pm 5% 1/4W | . | . | . | . | 1 | |
| R56 | RS55D2K21F | . | RESISTOR, FIXED, FILM (F0114) | 2,21K Ω \pm 1% 1/8W | . | . | . | . | 1 | |
| R57 | 566-00HS2KK | . | RESISTOR, VARIABLE (F1379) | 2K Ω \pm 10% 0,5W | . | . | . | . | 1 | |
| R62 | RS55D11KF | . | RESISTOR, FIXED, FILM (F0114) | 11K Ω \pm 1% 1/8W | . | . | . | . | 1 | |
| R63 | RC2T100KJ | . | RESISTOR, FIXED, FILM (F0114) | 100K Ω \pm 5% 1/4W | . | . | . | . | 1 | |
| R64 | RBX001-470KJ | . | RESISTOR, FIXED, FILM (F0350) | 470K Ω \pm 5% 1/4W | . | . | . | . | 1 | |

| DRAWING ITEM | MANUFACTURER'S PART NUMBER | DESCRIPTION | 1 2 3 4 5 6 7 | | | | | | | Qty | Proc. |
|-----------------|-------------------------------|---|---------------|--|--|--|--|--|--|-----|-------|
| | | | | | | | | | | | |
| R65 | RC2T220KJ | . RESISTOR, FIXED, FILM (F0114) 220KΩ±5% 1/4W | | | | | | | | 1 | |
| R66 | RS55D1K91F | . RESISTOR, FIXED, FILM (F0114) 1.91KΩ±1% 1/8W | | | | | | | | 1 | |
| R67 | RC2T100KJ | . RESISTOR, FIXED, FILM (F0114) 100KΩ±5% 1/4W | | | | | | | | 1 | |
| R71 | RS55D7K5F | . RESISTOR, FIXED, FILM (F0114) 7.5KΩ±1% 1/8W | | | | | | | | 1 | |
| R72 | RBX001-470KJ | . RESISTOR, FIXED, FILM (F0350) 470KΩ±5% 1/4W | | | | | | | | 1 | |
| R73 | RBX001-2M2J | . RESISTOR, FIXED, FILM (F0350) 2.2MΩ±5% 1/4W | | | | | | | | 1 | |
| R74 | RC2T1K5J | . RESISTOR, FIXED, FILM (F0114) 1.5KΩ±5% 1/4W | | | | | | | | 1 | |
| R75 | RC2T220KJ | . RESISTOR, FIXED, FILM (F0114) 220KΩ±5% 1/4W | | | | | | | | 1 | |
| R76 | RBX001-2M2J | . RESISTOR, FIXED, FILM (F0350) 2.2MΩ±5% 1/4W | | | | | | | | 1 | |
| R77 | RC2T1K5J | . RESISTOR, FIXED, FILM (F0114) 1.5KΩ±5% 1/4W | | | | | | | | 1 | |
| R81 | RC2T220UJ | . RESISTOR, FIXED, FILM (F0114) 220Ω±5% 1/4W | | | | | | | | 1 | |
| R82 | RC2T220UJ | . RESISTOR, FIXED, FILM (F0114) 220Ω±5% 1/4W | | | | | | | | 1 | |
| R83 | 566-00HS2KK | . RESISTOR, VARIABLE (F1379) . 2KΩ±10% 0.5W | | | | | | | | 1 | |
| R85 | RC2T8K2J | . RESISTOR, FIXED, FILM (F0114) 8.2KΩ±5% 1/4W | | | | | | | | 1 | |
| R86 | RBX001-390KJ | . RESISTOR, FIXED, FILM (F0350) 390KΩ±5% 1/4W | | | | | | | | 1 | |
| R87 | RC2T27KJ | . RESISTOR, FIXED, FILM (F0114) 27KΩ±5% 1/4W | | | | | | | | 1 | |
| R91 | RS55D1K21F | . RESISTOR, FIXED, FILM (F0114) 1.21KΩ±1% 1/8W | | | | | | | | 1 | |
| R92 | RC2T7K5J | . RESISTOR, FIXED, FILM (F0114) 7.5KΩ±5% 1/4W | | | | | | | | 1 | |
| R93 | RC2T3K9J | . RESISTOR, FIXED, FILM (F0114) 3.9KΩ±5% 1/4W | | | | | | | | 1 | |
| R94 | RC2T1K5J | . RESISTOR, FIXED, FILM (F0114) 1.5KΩ±5% 1/4W | | | | | | | | 1 | |
| R95 | RC2T3K9J | . RESISTOR, FIXED, FILM (F0114) 3.9KΩ±5% 1/4W | | | | | | | | 1 | |
| R96 | RBX001-470KJ | . RESISTOR, FIXED, FILM (F0350) 470KΩ±5% 1/4W | | | | | | | | 1 | |
| R97 | RS55D4K75F | . RESISTOR, FIXED, FILM (F0114) 4.75KΩ±1% 1/8W | | | | | | | | 1 | |
| R101 | RS55D5K23F | . RESISTOR, FIXED, FILM (F0114) 5.23KΩ±1% 1/8W | | | | | | | | 1 | |
| R102 | RS55D47K5F | . RESISTOR, FIXED, FILM (F0114) 47.5KΩ±1% 1/8W | | | | | | | | 1 | |
| R103 | RS55D4K32F | . RESISTOR, FIXED, FILM (F0114) 4.32KΩ±1% 1/8W | | | | | | | | 1 | |
| R104 | RC2T1KJ | . RESISTOR, FIXED, FILM (F0114) 1KΩ±5% 1/4W | | | | | | | | 1 | |
| Z1 | SFC2709T | . MICROSTRUCTURE, LINEAR (F4601) SFC2709T | | | | | | | | 1 | |
| Z2 | SFC2709T | . MICROSTRUCTURE, LINEAR (F4601) SFC2709T | | | | | | | | 1 | |
| Z3 | SFC2709T | . MICROSTRUCTURE, LINEAR (F4601) SFC2709T | | | | | | | | 1 | |
| Z4 | SFC2709T | . MICROSTRUCTURE, LINEAR (F4601) SFC2709T | | | | | | | | 1 | |
| Z5 | 15028204 | . MODULE, ANTENNA MATCHING | | | | | | | | 1 | |



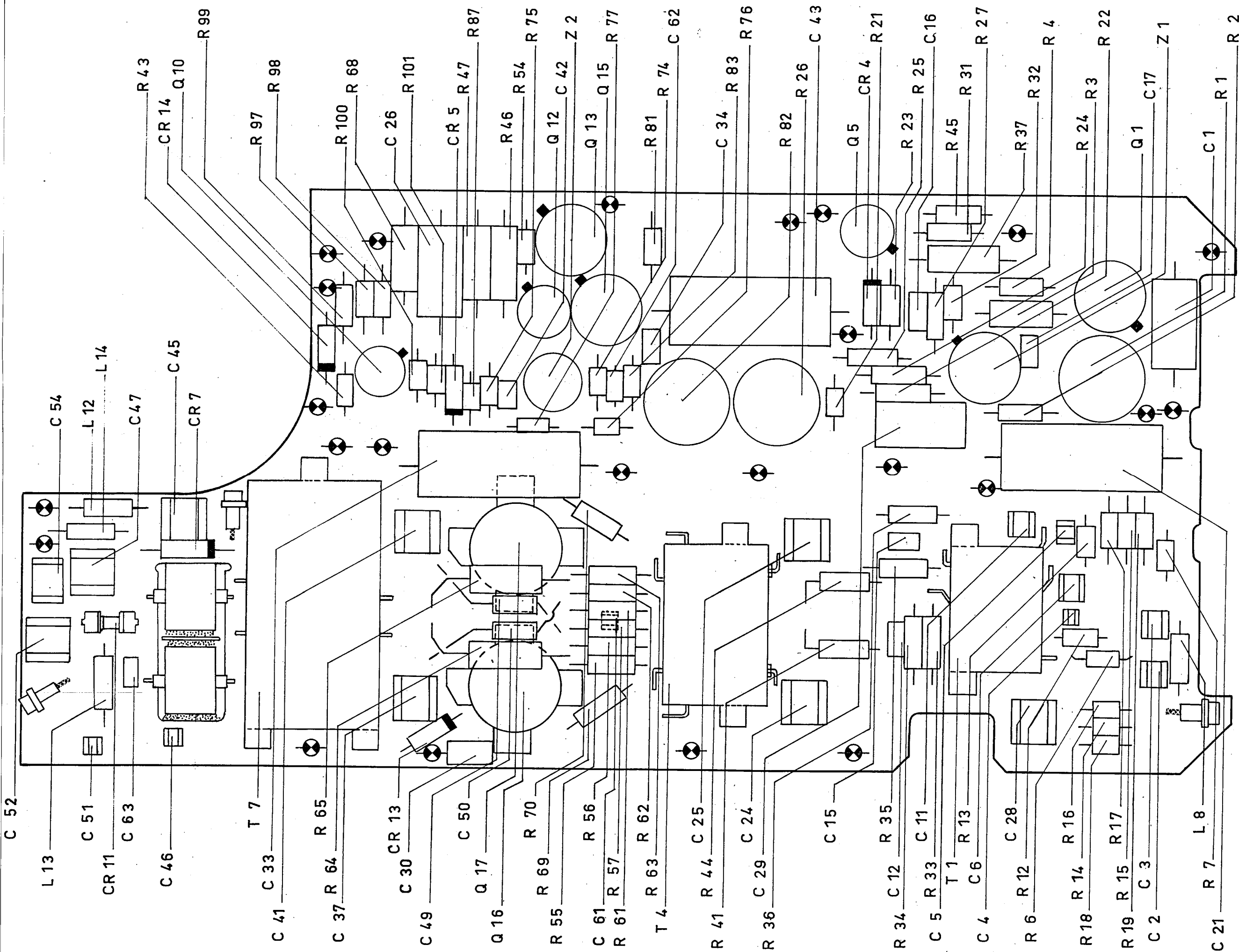
PL.1-20 W AMPLIFIER

| INDEX | MANUFACTURER'S PART NUMBER | DESCRIPTION | | | | | | | QTY | AP |
|--------|-------------------------------|--|---|---|---|---|---|---|-----|----|
| | | 1 | 2 | 3 | 4 | 5 | 6 | 7 | | |
| A23 | 15028217 | AMPLIFIER, 20 W (SEE PART 2, SECTION 02, PLATE 01)..... | | | | | | | FM | |
| A70 | 15158986 | . SCREW, ASSEMBLY..... | | | | | | | 4 | |
| XXX102 | 15446873 | . GASKET..... | | | | | | | 1 | |
| A71 | 15159646 | . NUT, BLIND..... | | | | | | | 4 | |
| XXX160 | 7-2X1-9FN40 | . GASKET (F0235)..... | | | | | | | 4 | |
| A72 | 15623561 | . PC BOARD ASSEMBLY (AMPLIFIER) (SEE SECTION 2-13-1)..... | | | | | | | 1 | |
| XXX156 | E27112A25M4CCU | . SCREW (F0110)..... | | | | | | | 4 | |
| XXX157 | 520251-00-24 | . WASHER, SPRING (F0349)..... | | | | | | | 4 | |
| A73 | 15159645 | . SPACER, NUT WITH ATTACHING PLATE..... | | | | | | | 4 | |
| XXX14 | 520301-00-24 | . WASHER, SPRING (F0349)..... | | | | | | | 4 | |
| XXX161 | E27115C25M12CCU | . SCREW (F0110)..... | | | | | | | 2 | |
| XXX162 | E27611M25AEUL | . WASHER, FLAT (F0110)..... | | | | | | | 2 | |
| A74 | 15167446 | . SPACING RING..... | | | | | | | 2 | |
| A75 | 15162925 | . INSULATOR, PLATE..... | | | | | | | 2 | |
| A76 | 15162926 | . INSULATOR, PLATE..... | | | | | | | 2 | |
| J101 | 15447254 | . CONNECTOR, ELECTRICAL, RECEPTACLE..... | | | | | | | 1 | |
| J102 | HE501N50AS | . CONNECTOR, ELECTRICAL, RECEPTACLE (F0115) .. | | | | | | | 1 | |
| XXX130 | E27311H30Q6CCU | . SCREW (F0110)..... | | | | | | | 2 | |
| J103 | 9DM9G11-37PA231 | . CONNECTOR, ELECTRICAL, RECEPTACLE (F1931) .. | | | | | | | 1 | |
| A77 | 15162240 | . CAP, PROTECTIVE..... | | | | | | | 1 | |
| J104 | DBM21W1S | . CONNECTOR, ELECTRICAL, RECEPTACLE (F3132) .. | | | | | | | 1 | |
| J105 | DM53743-5001 | . CONTACT, ELECTRICAL (F3132)..... | | | | | | | 1 | |
| XXX141 | E27113B30G6EBUL | . SCREW (F0110)..... | | | | | | | 2 | |
| XXX136 | 520301-00-24 | . WASHER, SPRING (F0349)..... | | | | | | | 2 | |
| L121 | 3B4-1X2LONG25 | . CORE, TUNING (4204)..... | | | | | | | 1 | |
| L122 | FN107-2002 | . CORE, TUNING (6180)..... | | | | | | | 1 | |
| A78 | 15704678 | . HEATSINK ASSEMBLY..... | | | | | | | 1 | |



PL.1-20 W AMPLIFIER PC BOARD ASSEMBLY
FACE 1

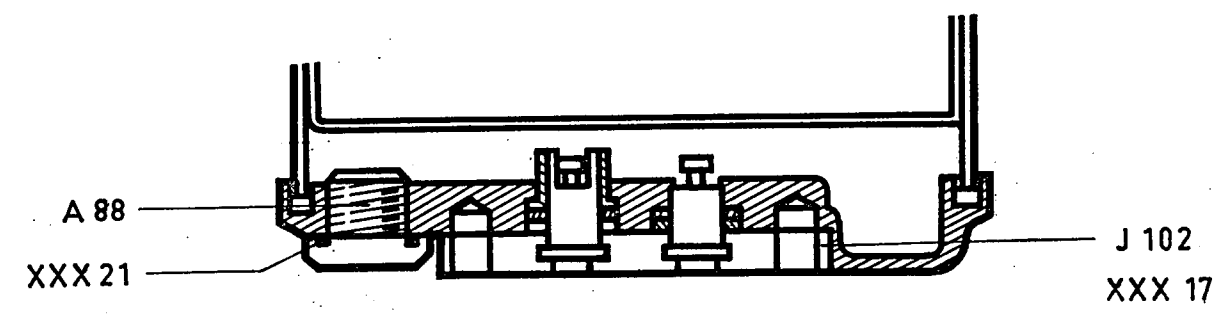
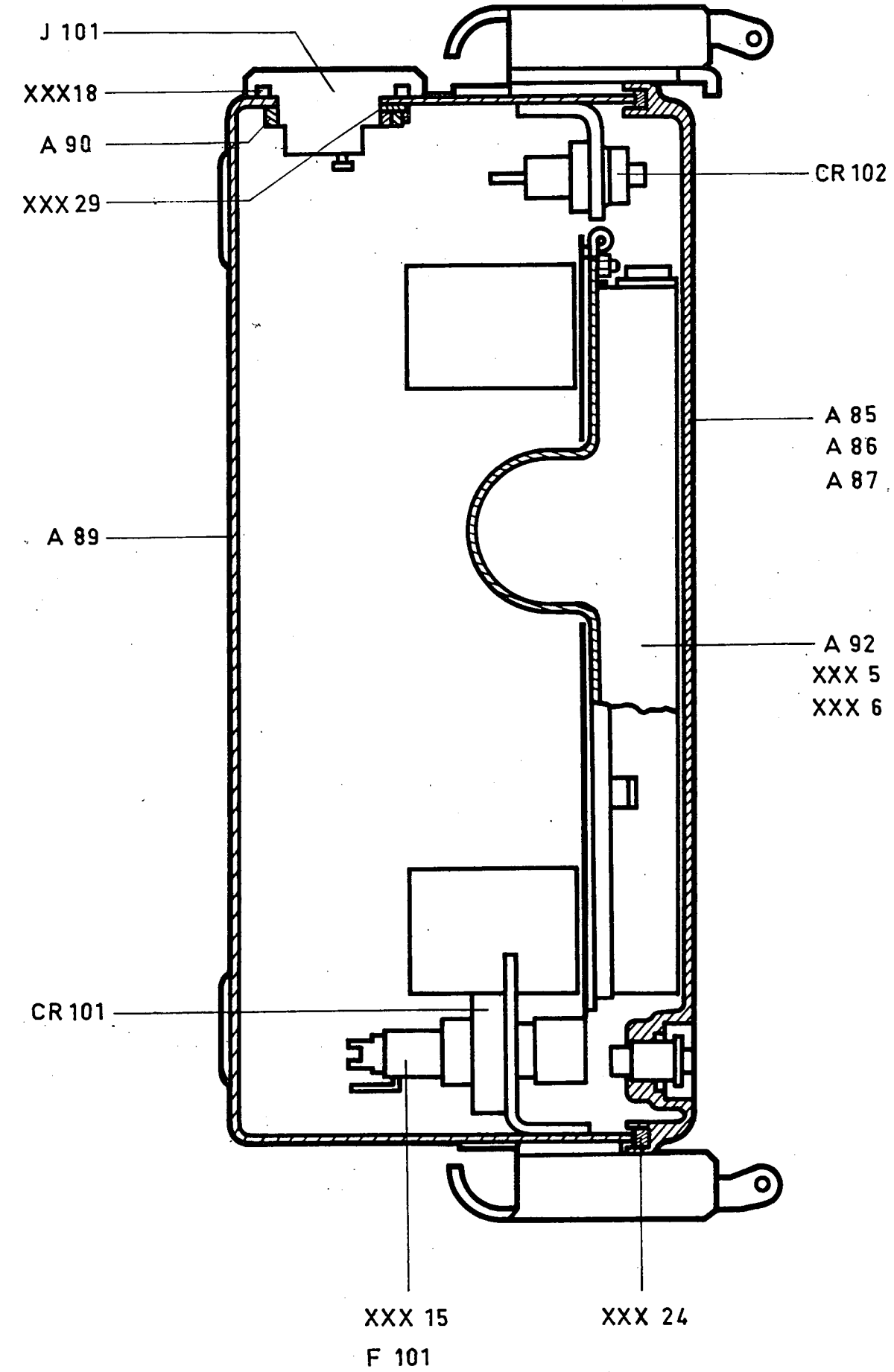
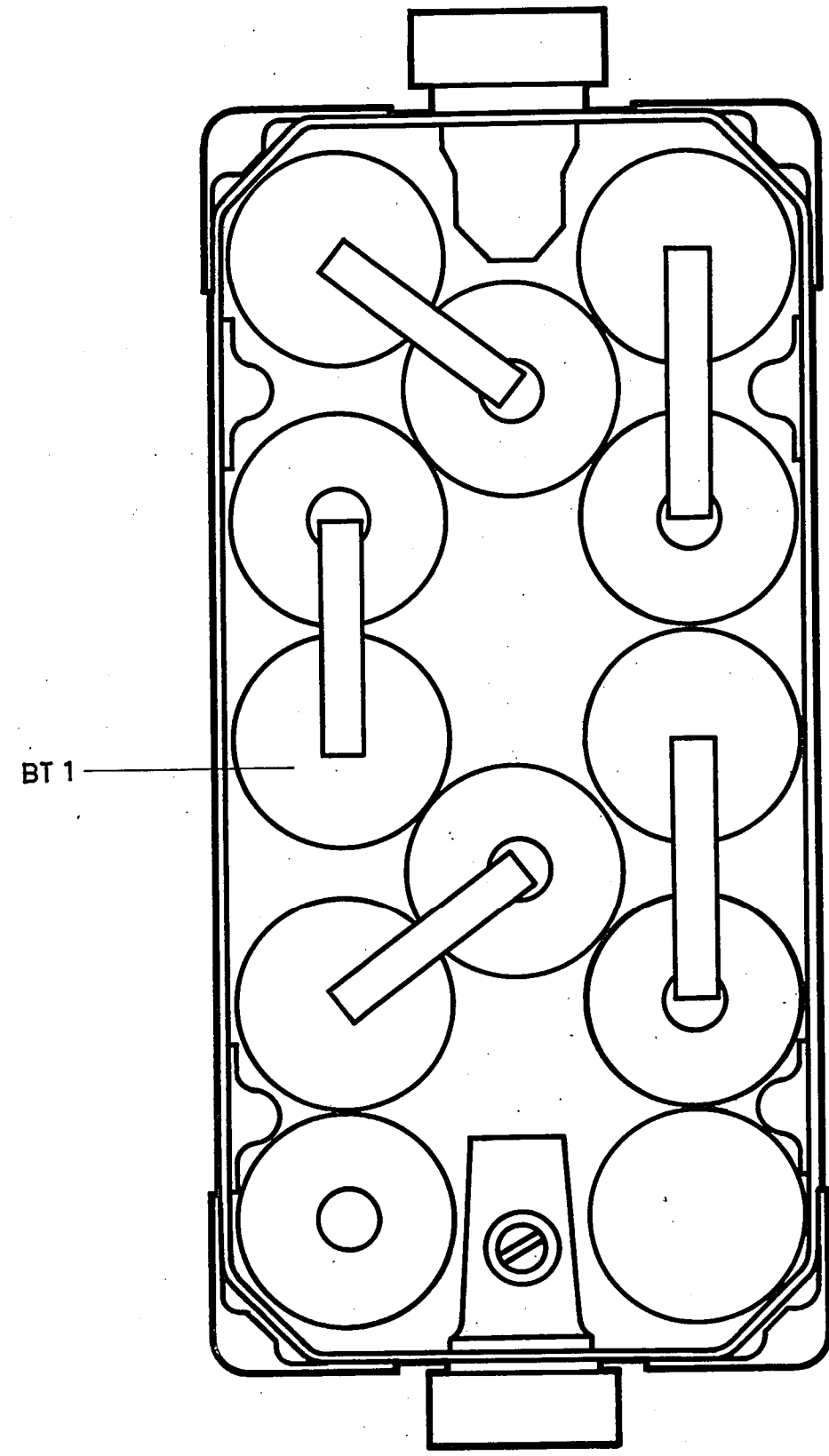
| DRAWING ITEM | MANUFACTURER'S PART NUMBER | DESCRIPTION | Qty | Proc. |
|-----------------|-------------------------------|---|-----|-------|
| | | | | |
| A72 | 15623561 | PC BOARD ASSEMBLY (AMPLI. FACE 1) (SEE PART 2, SECTION 2.1 3, PLATE 1) | FM | |
| C7 | PLZ935D150KM | . CAPACITOR, FIXED, CERAMIC (F0350) 0,15MF±20% 63V | 1 | |
| C13 | PLZ935D470KM | . CAPACITOR, FIXED, CERAMIC (F0350) 0,47MF±20% 63V | 1 | |
| C22 | PLZ935D470KM | . CAPACITOR, FIXED, CERAMIC (F0350) 0,47MF±20% 63V | 1 | |
| C23 | PLZ935D470KM | . CAPACITOR, FIXED, CERAMIC (F0350) 0,47MF±20% 63V | 1 | |
| C27 | PLZ935D470KM | . CAPACITOR, FIXED, CERAMIC (F0350) 0,47MF±20% 63V | 1 | |
| C31 | PLZ935D470KM | . CAPACITOR, FIXED, CERAMIC (F0350) 0,47MF±20% 63V | 1 | |
| C32 | CN13-5-2K2M | . CAPACITOR, FIXED, CERAMIC (F0115) 2200PF±20% 100V | 1 | |
| C35 | PLZ935D470KM | . CAPACITOR, FIXED, CERAMIC (F0350) 0,47MF±20% 63V | 1 | |
| C36 | PLZ935D470KM | . CAPACITOR, FIXED, CERAMIC (F0350) 0,47MF±20% 63V | 1 | |
| C44 | PLZ932D2K2M | . CAPACITOR, FIXED, CERAMIC (F0350) 2200PF±20% 100V | 1 | |
| C48 | PLZ935D150KM | . CAPACITOR, FIXED, CERAMIC (F0350) 0,15MF±20% 63V | 1 | |
| C53 | PLZ935D150KM | . CAPACITOR, FIXED, CERAMIC (F0350) 0,15MF±20% 63V | 1 | |
| CR1 | 1N4148 | . DIODE, SEMI-CONDUCTOR (F0115) 1N4148 | 1 | |
| CR2 | 1N4148 | . DIODE, SEMI-CONDUCTOR (F0115) 1N4148 | 1 | |
| CR3 | FD100 | . DIODE, SEMI-CONDUCTOR (F3223) FD100 | 1 | |
| CR6 | 1N4148 | . DIODE, SEMI-CONDUCTOR (F0115) 1N4148 | 1 | |
| CR8 | BA244 | . DIODE, SEMI-CONDUCTOR (F3E91) BA244 | 1 | |
| CR12 | HP5082-2800 | . DIODE, SEMI-CONDUCTOR (28480) HP5082-2800 | 1 | |
| L1 | 1025-60 | . REACTOR (99800) 47μH±10% | 1 | |
| L3 | 1025-60 | . REACTOR (99800) 47μH±10% | 1 | |
| L4 | 1025-04 | . REACTOR (99800) 0,22μH±10% | 1 | |
| L5 | 1025-04 | . REACTOR (99800) 0,22μH±10% | 1 | |
| L9 | 1025-60 | . REACTOR (99800) 47μH±10% | 1 | |
| A79 | 15159843 | . HOLDER, SEMI-CONDUCTOR | 1 | |
| A80 | 15161248 | . SCREW | 1 | |
| A81 | 15161249 | . SPRING, FLAT | 1 | |
| Q2 | 2N4424 | . TRANSISTOR (F4601) 2N4424 | 1 | |
| Q3 | 2N5160 | . TRANSISTOR (04713) 2N5160 | 1 | |
| Q4 | 2N3866 | . TRANSISTOR (F4204) 2N3866 | 1 | |
| Q6 | MJE521 | . TRANSISTOR (04713) MJE521 | 1 | |
| Q7 | 15066663 | . TRANSISTOR | 1 | |
| Q11 | 15066663 | . TRANSISTOR | 1 | |
| Q14 | MJE2801 | . TRANSISTOR (04713) MJE2801 | 1 | |
| Q16 | 15066662 | . TRANSISTOR | 1 | |
| Q17 | 15066662 | . TRANSISTOR | 1 | |
| R5 | RC6T82UJ | . RESISTOR, FIXED, FILM (F0114) 82Ω±5% 1/8W | 1 | |
| R11 | RC6T82UJ | . RESISTOR, FIXED, FILM (F0114) 82Ω±5% 1/8W | 1 | |
| R88 | RC2T150UJ | . RESISTOR, FIXED, FILM (F0114) 150Ω±5% 1/4W | 1 | |
| R91 | RS61D49U9F | . RESISTOR, FIXED, FILM (F0114) 49,9Ω±1% 1/4W | 1 | |
| R92 | RC2T10KJ | . RESISTOR, FIXED, FILM (F0114) 10KΩ±5% 1/4W | 1 | |
| R93 | RC2T1KJ | . RESISTOR, FIXED, FILM (F0114) 1KΩ±5% 1/4W | 1 | |
| R94 | RS61D49U9F | . RESISTOR, FIXED, FILM (F0114) 49,9Ω±1% 1/4W | 1 | |
| R95 | RC2T10KJ | . RESISTOR, FIXED, FILM (F0114) 10KΩ±5% 1/4W | 1 | |
| R96 | RC2T1KJ | . RESISTOR, FIXED, FILM (F0114) 1KΩ±5% 1/4W | 1 | |
| T2 | 15446998 | . TRANSFORMER, INSULATION | 1 | |
| T3 | 15446999 | . TRANSFORMER, INSULATION | 1 | |
| T5 | 15447001 | . TRANSFORMER, INSULATION | 1 | |
| T6 | 15447002 | . TRANSFORMER, INSULATION | 1 | |



PL.1. 20 W AMPLIFIER PC BOARD ASSEMBLY
FACE 2

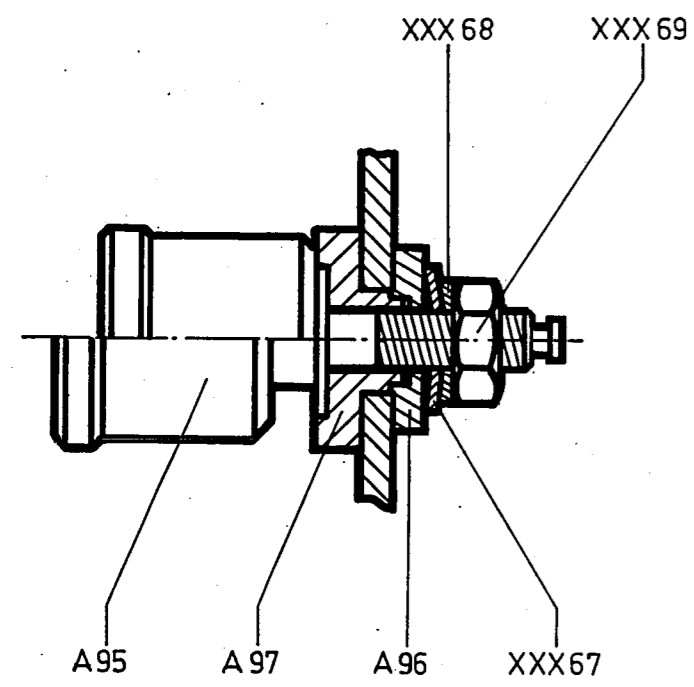
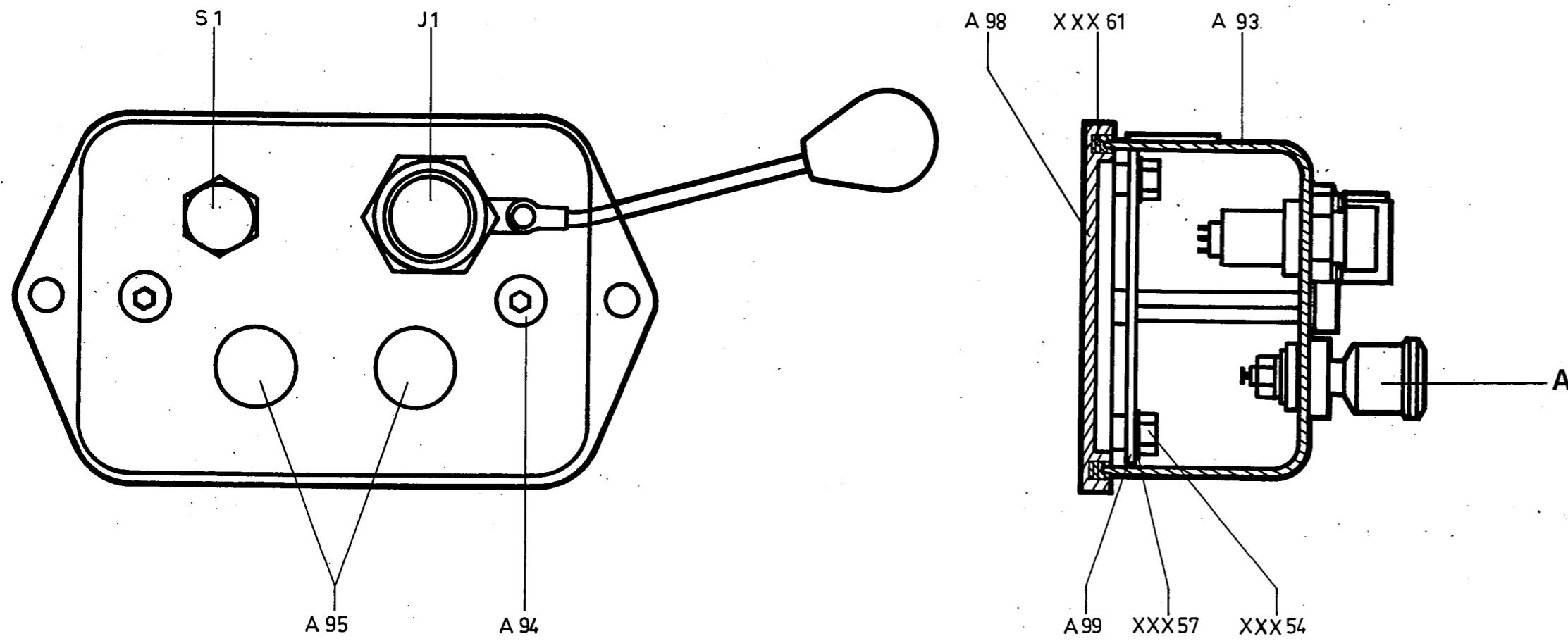
| DRAWING ITEM | MANUFACTURER'S PART NUMBER | DESCRIPTION | 1 2 3 4 5 6 7 | | | | | | | Qty | Proc. |
|-----------------|-------------------------------|---|---------------|--|--|--|--|--|--|-----|-------|
| | | | | | | | | | | | |
| A72 | 15623561 | PC BOARD ASSEMBLY (AMPLI. FACE 2) (SEE PART 2, SECTION 2.13 PLATE 1) | | | | | | | | FM | |
| C1 | CTS13P6V47MM | . CAPACITOR, FIXED, ELECTRO 47MF±20%.6V | | | | | | | | 1 | |
| C2 | PLZ933D100KM | . CAPACITOR, FIXED, CERAMIC (F0350) 0,1MF±20% 63V | | | | | | | | 1 | |
| C3 | PLZ933D100KM | . CAPACITOR, FIXED, CERAMIC (F0350) 0,1MF±20% 63V | | | | | | | | 1 | |
| C4 | PLZ932D10KM | . CAPACITOR, FIXED, CERAMIC (F0350) 0,01MF±20% 63V | | | | | | | | 1 | |
| C5 | PLZ932D10KM | . CAPACITOR, FIXED, CERAMIC (F0350) 0,01MF±20% 63V | | | | | | | | 1 | |
| C6 | PLZ933D100KM | . CAPACITOR, FIXED, CERAMIC (F0350) 0,1MF±20% 63V | | | | | | | | 1 | |
| C11 | PLZ933D100KM | . CAPACITOR, FIXED, CERAMIC (F0350) 0,1MF±20% 63V | | | | | | | | 1 | |
| C12 | CN31-5-1K5M | . CAPACITOR, FIXED, CERAMIC (F0115) 1500PF±20% 100V | | | | | | | | 1 | |
| C15 | CN31-5-1K5M | . CAPACITOR, FIXED, CERAMIC (F0115) 1500PF±20% 100V | | | | | | | | 1 | |
| C16 | CN31-5-10KM | . CAPACITOR, FIXED, CERAMIC (F0115) 0,01MF±20% 100V | | | | | | | | 1 | |
| C17 | CN31-5-1KM | . CAPACITOR, FIXED, CERAMIC (F0115) 1000PF±20% 100V | | | | | | | | 1 | |
| C21 | CTS13P6V330MM | . CAPACITOR, FIXED, ELECTRO (F0115) 330MF±20% 6V | | | | | | | | 1 | |
| C24 | PLZ935D150KM | . CAPACITOR, FIXED, CERAMIC (F0350) 0,15MF±20% 63V | | | | | | | | 1 | |
| C25 | PLZ935D150KM | . CAPACITOR, FIXED, CERAMIC (F0350) 0,15MF±20% 63V | | | | | | | | 1 | |
| C26 | CTS13P35V4M7K | . CAPACITOR, FIXED, ELECTRO (F0115) 4,7MF±10% 35V | | | | | | | | 1 | |
| C28 | PLZ935PE470KM | . CAPACITOR, FIXED, CERAMIC (F0350) 0,47MF±20% 63V | | | | | | | | 1 | |
| C29 | CTS13P10V33MM | . CAPACITOR, FIXED, ELECTRO (F0115) 33MF±20% 10V | | | | | | | | 1 | |
| C30 | SBM4R25V10MM | . CAPACITOR, FIXED, ELECTRO (F3422) 10MF±20% 25V | | | | | | | | 1 | |
| C33 | CTS13P25V68MM | . CAPACITOR, FIXED, ELECTRO (F0115) 68MF±20% 25 V | | | | | | | | 1 | |
| C34 | CN2-5-22UK | . CAPACITOR, FIXED, CERAMIC (F0115) 22PF±10% 500V | | | | | | | | 1 | |
| C37 | PLZ935D470KM | . CAPACITOR, FIXED, CERAMIC (F0350) 0,47MF±20% 63V | | | | | | | | 1 | |
| C41 | PLZ935D470KM | . CAPACITOR, FIXED, CERAMIC (F0350) 0,47MF±20% 63V | | | | | | | | 1 | |
| C42 | CN13-5-470UM | . CAPACITOR, FIXED, CERAMIC (F0115) 470PF±20% 100V | | | | | | | | 1 | |
| C43 | CTS13P35V47MM | . CAPACITOR, FIXED, ELECTRO (F0115) 47MF±20% 40V | | | | | | | | 1 | |
| C45 | PLZ935D150KM | . CAPACITOR, FIXED, CERAMIC (F0350) 0,15MF±20% 63 V | | | | | | | | 1 | |
| C46 | PLZ932D2K2M | . CAPACITOR, FIXED, CERAMIC (F0350) 2200PF±20% 100V | | | | | | | | 1 | |
| C47 | PLZ935D150KM | . CAPACITOR, FIXED, CERAMIC (F0350) 0,15MF±20% 63V | | | | | | | | 1 | |
| C49 | CE13-3C100UK | . CAPACITOR, FIXED, CERAMIC (F0350) 100PF±10% 100V | | | | | | | | 1 | |
| C50 | CE13-3C100UK | . CAPACITOR, FIXED, CERAMIC (F0115) 100PF±10% 100V | | | | | | | | 1 | |
| C51 | PLZ932D4K7M | . CAPACITOR, FIXED, CERAMIC (F0350) 4700PF±20% 63V | | | | | | | | 1 | |
| C52 | PLZ935D470KM | . CAPACITOR, FIXED, CERAMIC (F0350) 0,47MF±20% 63V | | | | | | | | 1 | |
| C54 | PLZ925D150KM | . CAPACITOR, FIXED, CERAMIC (F0350) 0,15MF±20% 63V | | | | | | | | 1 | |
| C61 | PLC932D150UK | . CAPACITOR, FIXED, CERAMIC (F0350) 150PF±10% 63V | | | | | | | | 1 | |
| C62 | CE1-2-6U8DU | . CAPACITOR, FIXED, CERAMIC (F0115) 6,8PF±0,5PF 250V | | | | | | | | 1 | |
| C63 | CE13-3C68UK | . CAPACITOR, FIXED, CERAMIC (F0115) 68PF±10% 100V | | | | | | | | 1 | |
| CR4 | BZX46C5V6 | . DIODE, SEMI-CONDUCTOR (F4601) BZX46C5V6 . . . | | | | | | | | 1 | |
| CR5 | BZX46C5V6 | . DIODE, SEMI-CONDUCTOR (F4601) BZX46C5V6 . . . | | | | | | | | 1 | |
| CR7 | DH490 | . DIODE, SEMI-CONDUCTOR (F6204) DH490 . . . | | | | | | | | 1 | |
| CR11 | DH485C | . DIODE, SEMI-CONDUCTOR (F6204) DH485C . . . | | | | | | | | 1 | |
| CR13 | 1N4148 | . DIODE, SEMI-CONDUCTOR (F0115) 1N4148 . . . | | | | | | | | 1 | |
| CR14 | 1N4148 | . DIODE, SEMI-CONDUCTOR (F0115) 1N4148 . . . | | | | | | | | 1 | |
| L8 | 1025-94 | . REACTOR (99800) 0,1μH±10% | | | | | | | | 1 | |
| L12 | 1025-84 | . REACTOR (99800) 470μH±10% | | | | | | | | 1 | |
| L13 | 26800 | . REACTOR (78526) 680μH±5% | | | | | | | | 1 | |
| L14 | 1025-84 | . REACTOR (99800) 470μH±10% | | | | | | | | 1 | |
| Q1 | 2N1711-1 | . TRANSISTOR (F0115) 2N1711-1 | | | | | | | | 1 | |
| Q5 | 2N2222 | . TRANSISTOR (F0115) 2N2222 | | | | | | | | 1 | |
| Q10 | 2N2907 | . TRANSISTOR (F0115) 2N2907 | | | | | | | | 1 | |
| Q12 | 2N2907 | . TRANSISTOR (F0115) 2N2907 | | | | | | | | 1 | |

| DRAWING ITEM | MANUFACTURER'S PART NUMBER | DESCRIPTION | 1 2 3 4 5 6 7 | | | | | | | Qty | Proc. |
|-----------------|-------------------------------|---|---------------|--|--|--|--|--|--|-----|-------|
| | | | | | | | | | | | |
| R77 | RC2T4K7J | . RESISTOR, FIXED, FILM (F0114) 4.7KΩ±5% 1/4W | | | | | | | | 1 | |
| R81 | RC2T3K3J | . RESISTOR, FIXED, FILM (F0114) 3.3KΩ±5% 1/4W | | | | | | | | 1 | |
| R82 | MOD100-10000HMPORM5PCT | . RESISTOR, VARIABLE (75042) 1KΩ±5% | | | | | | | | 1 | |
| R83 | RC2T2K7J | . RESISTOR, FIXED, FILM (F0114) 2.7KΩ±5% 1/4W | | | | | | | | 1 | |
| R87 | RC2T680UJ | . RESISTOR, FIXED, FILM (F0114) 680Ω±5% 1/4W | | | | | | | | 1 | |
| R97 | RC2T820UJ | . RESISTOR, FIXED, FILM (F0114) 820Ω±5% 1/4W | | | | | | | | 1 | |
| R98 | RC2T3K9J | . RESISTOR, FIXED, FILM (F0114) 3.9KΩ±5% 1/4W | | | | | | | | 1 | |
| R99 | RC2T22KJ | . RESISTOR, FIXED, FILM (F0114) 22KΩ±5% 1/4W | | | | | | | | 1 | |
| R100 | RC2T6K8J | . RESISTOR, FIXED, FILM (F0114) 6.8KΩ±5% 1/4W | | | | | | | | 1 | |
| R101 | RC2T6K8J | . RESISTOR, FIXED, FILM (F0114) 6.8KΩ±5% 1/4W | | | | | | | | 1 | |
| T1 | 15446997 | . TRANSFORMER, INSULATION | | | | | | | | 1 | |
| T4 | 15447000 | . TRANSFORMER, INSULATION | | | | | | | | 1 | |
| T7 | 15447003 | . TRANSFORMER, INSULATION | | | | | | | | 1 | |
| Z1 | SFC2709T | . MICROSTRUCTURE, LINEAR (F4601) SFC2709T | | | | | | | | 1 | |
| Z2 | SFC2709T | . MICROSTRUCTURE, LINEAR (F4601) SFC2709T | | | | | | | | 1 | |



PL.1. BATTERY CASE

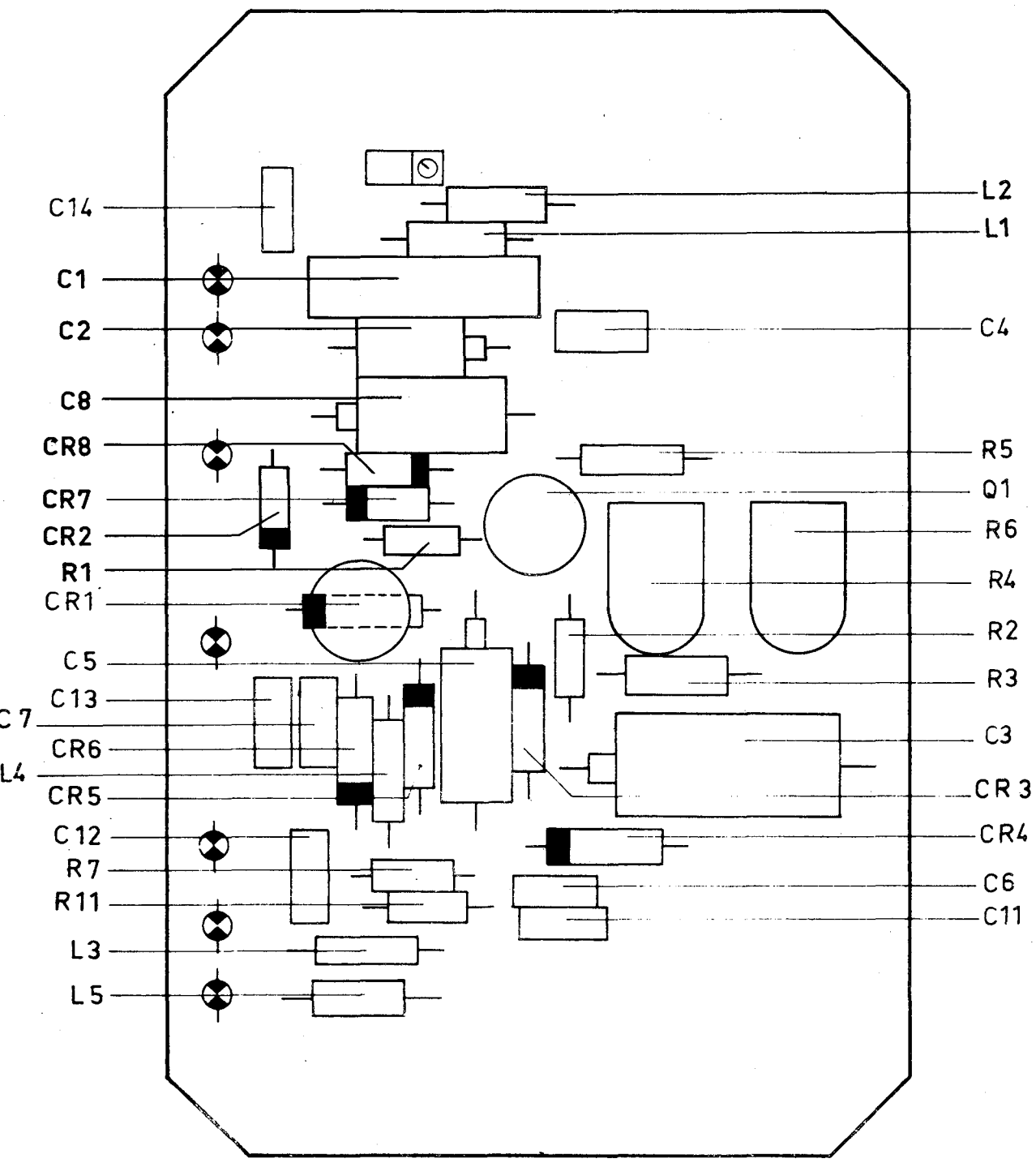
| DRAWING ITEM | MANUFACTURER'S PART NUMBER | DESCRIPTION | | | | | | Qty | Proc. |
|-----------------|-------------------------------|---|---|---|---|---|---|-----|-------|
| | | 1 | 2 | 3 | 4 | 5 | 6 | | |
| A2 | 15028184 | CASE BATTERY (SEE SECTION 2, PLATE 01) . . . | | | | | | FM | |
| A85 | 15622529 | . COVER | | | | | | 1 | |
| A86 | 15161069 | . SCREW | | | | | | 4 | |
| A87 | 15161073 | . WASHER, FLAT | | | | | | 4 | |
| XX24 | 15447045 | . GASKET | | | | | | 1 | |
| A88 | 15159052 | . CAP, PROTECTIVE | | | | | | 2 | |
| XXX21 | 10-5X2FN40 | . GASKET (F0235) | | | | | | 2 | |
| J102 | 15447069 | . CONNECTOR, ELECTRICAL, RECEPTACLE | | | | | | 1 | |
| XXX17 | E27113B25Q6CCU | . SCREW | | | | | | 4 | |
| A89 | 15622384 | . CASE ASSEMBLY | | | | | | 1 | |
| J101 | 15159519 | . CONNECTOR, ELECTRICAL, RECEPTACLE | | | | | | 1 | |
| A90 | 15159520 | . NUT | | | | | | 1 | |
| XXX29 | K6201-31-7X20-4X0-4 | . WASHER, FLAT (D9532) | | | | | | 1 | |
| XXX18 | 22X2FN40 | . GASKET (F0235) | | | | | | 1 | |
| A92 | 15448848 | . CHARGER, BATTERY | | | | | | 4 | |
| XXX5 | E27311H30Q8CCU | . SCREW (F0110) | | | | | | 4 | |
| XXX6 | 520301-00-24 | . WASHER, SPRING (F0349) | | | | | | 4 | |
| BT1 | 15446896 | . CELLS, BATTERY | | | | | | 1 | |
| CR101 | F22 | . DIODE, SEMI-CONDUCTOR (F4759) F22 | | | | | | 1 | |
| CR102 | 1N1342B | . DIODE, SEMI-CONDUCTOR (F4759) 1N1342B | | | | | | 1 | |
| F101 | FST5020-10A | . FUSE, CARTRIDGE (F1119) 10A | | | | | | 1 | |
| XXX15 | 725-726 | . HOLDER, FUSE (F1119) | | | | | | 1 | |



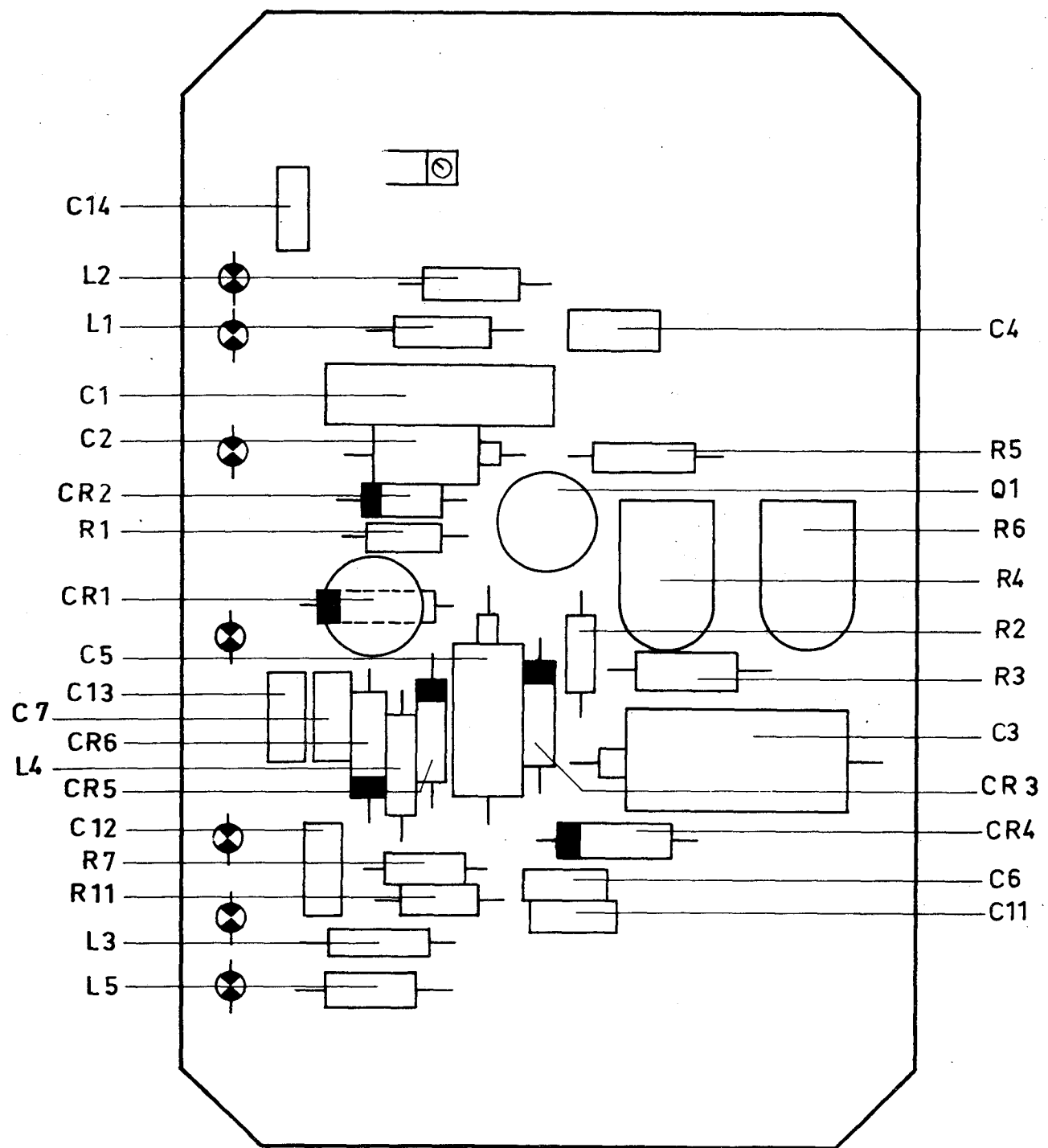
DETAIL A

PL.1. REMOTE CONTROL UNIT

| INDEX | MANUFACTURER'S PART NUMBER | DESCRIPTION | | | | | | | QTY | AP |
|-------|-------------------------------|--|---|---|---|---|---|---|-----|----|
| | | 1 | 2 | 3 | 4 | 5 | 6 | 7 | | |
| A4 | 15028222 | REMOTE CONTROL UNIT (SEE PART 2,SECTION 2, PLATE 01) (A version)..... | | | | | | | FM | |
| A4 | 15029935 | REMOTE CONTROL UNIT (SEE PART 2,SECTION 2, PLATE 01) (B version)..... | | | | | | | FM | |
| A93 | 15447333 | . COVER ASSEMBLY..... | | | | | | | 1 | |
| A94 | 15161070 | . SCREW..... | | | | | | | 2 | |
| XXX29 | BSA4 | . WASHER,FLAT (F0229)..... | | | | | | | 2 | |
| A95 | 15155555 | . FEEDTHROUGH,INSULATED..... | | | | | | | 2 | |
| XXX69 | E27411A40QTFUF | . NUT,HEXAGONAL (F0110)..... | | | | | | | 2 | |
| XXX68 | E27611E40SAUL | . WASHER,FLAT (F0110)..... | | | | | | | 2 | |
| XXX67 | 570401-70 | . WASHER,CUP (F0349)..... | | | | | | | 2 | |
| A96 | 15155515 | . INSULATOR,WASHER..... | | | | | | | 2 | |
| A97 | 15444483 | . INSULATOR,WASHER..... | | | | | | | 2 | |
| J1 | 562GB07E10P08S | . CONNECTOR,ELECTRICAL,RECEPTACLE (K1100).. | | | | | | | 1 | |
| S1 | 171725130 | . SELECTOR,PUSH-BUTTON (F0537)..... | | | | | | | 1 | |
| A98 | 15447331 | . SOLE..... | | | | | | | 1 | |
| XXX61 | 15161445 | . GASKET..... | | | | | | | 1 | |
| A99 | 15447480 | . PC BOARD ASSEMBLY (A version) (SEE SECTION 2-4-1,PL1)..... | | | | | | | 1 | |
| A99 | 15449453 | . PC BOARD ASSEMBLY (B version) (SEE SECTION 2-4-1,PL2)..... | | | | | | | 1 | |
| XXX54 | E27311H40M6CCU | . SCREW (F0110)..... | | | | | | | 4 | |
| XXX57 | 520301-00-24 | . WASHER,SPRING (F0349)..... | | | | | | | 4 | |

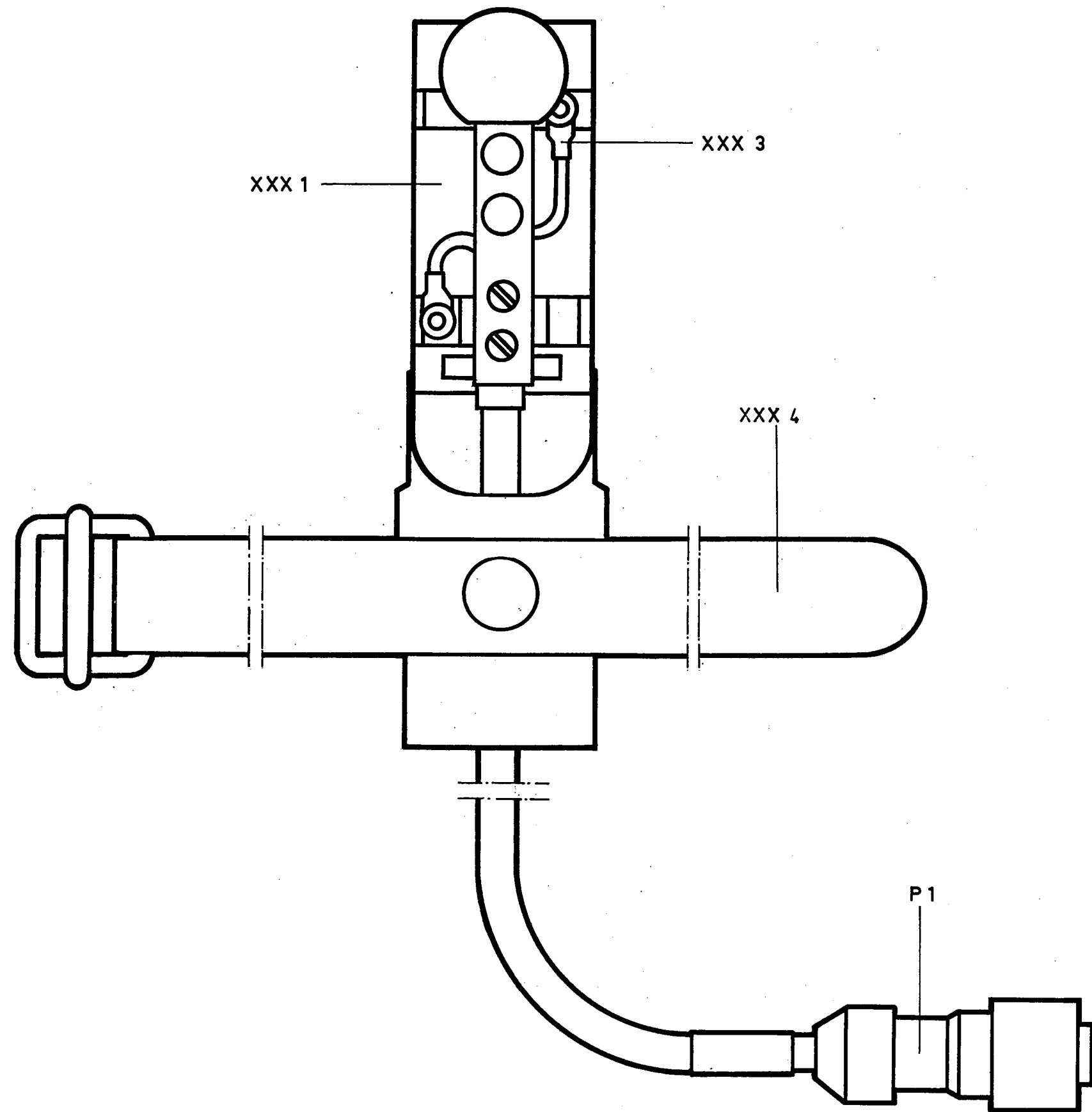


PL.2. REMOTE CONTROL UNIT PC BOARD ASSEMBLY



PL.1. REMOTE CONTROL UNIT PC BOARD ASSEMBLY

| INDEX | MANUFACTURER'S PART NUMBER | DESCRIPTION | | | | | | | QTY | AP |
|-------|-------------------------------|---|---|---|---|---|---|---|-----|----|
| | | 1 | 2 | 3 | 4 | 5 | 6 | 7 | | |
| A99 | 15449453 | PC BOARD ASSEMBLY (REMOTE CONTROL) (SEE PART 2, SECTION 04, PLATE 01) (B version).. | | | | | | | FM | |
| C1 | IPD218-22GKK | . CAPACITOR, FIXED, PLASTIC (F0350) 0,22MF±10% 63V | | | | | | | 1 | |
| C2 | CTS13P20V2M2M | . CAPACITOR, FIXED, ELECTRO (F0115) 22MF±20% 20V | | | | | | | 1 | |
| C3 | CTS13P6V100MM | . CAPACITOR, FIXED, ELECTRO (F0115) 100MF±20% 10V | | | | | | | 1 | |
| C4 | UFW608-47KJL | . CAPACITOR, FIXED, CERAMIC (F0350) 0,047MF-20+80%16V | | | | | | | 1 | |
| C5 | CTS13P25V10MM | . CAPACITOR, FIXED, ELECTRO (F0115) 10MF±20% 25V | | | | | | | 1 | |
| C6 | UFW608-47KJL | . CAPACITOR, FIXED, CERAMIC (F0350) 0,047MF-20+80%16V | | | | | | | 1 | |
| C7 | UFW608-47KJL | . CAPACITOR, FIXED, CERAMIC (F0350) 0,047MF-20+80%16V | | | | | | | 1 | |
| C8 | CTS13P25V10MM | . CAPACITOR, FIXED, CERAMIC (F0115) 10MF±20% 25V | | | | | | | 1 | |
| C11 | UFW608-47KJL | . CAPACITOR, FIXED, CERAMIC (F0350) 0,047MF-20+80%16V | | | | | | | 1 | |
| C12 | UFW608-47KJL | . CAPACITOR, FIXED, CERAMIC (F0350) 0,047MF-20+80%16V | | | | | | | 1 | |
| C13 | UFW608-47KJL | . CAPACITOR, FIXED, CERAMIC (F0350) 0,047MF-20+80%16V | | | | | | | 1 | |
| C14 | UFW608-47KJL | . CAPACITOR, FIXED, CERAMIC (F0350) 0,047MF-20+80%16V | | | | | | | 1 | |
| CR1 | 15159255 | . DIODE, SEMI-CONDUCTOR..... | | | | | | | 1 | |
| CR2 | BZX83C3V3 | . DIODE, SEMI-CONDUCTOR (F4601) BZX83C3V3 | | | | | | | 1 | |
| CR3 | SFD129B | . DIODE, SEMI-CONDUCTOR (F4601) SFD129B | | | | | | | 1 | |
| CR4 | SFD129B | . DIODE, SEMI-CONDUCTOR (F4601) SFD129B | | | | | | | 1 | |
| CR5 | SFD129B | . DIODE, SEMI-CONDUCTOR (F4601) SFD129B | | | | | | | 1 | |
| CR6 | SFD129B | . DIODE, SEMI-CONDUCTOR (F4601) SFD129B | | | | | | | 1 | |
| CR7 | 1N4148 | . DIODE, SEMI-CONDUCTOR (F0115) 1N4148 | | | | | | | 1 | |
| CR8 | 1N4148 | . DIODE, SEMI-CONDUCTOR (F0115) 1N4148 | | | | | | | 1 | |
| L1 | 1025-68 | . REACTOR (99800) 100μH±10% | | | | | | | 1 | |
| L2 | 1025-68 | . REACTOR (99800) 100μH±10% | | | | | | | 1 | |
| L3 | 1025-68 | . REACTOR (99800) 100μH±10% | | | | | | | 1 | |
| L4 | 1025-60 | . REACTOR (99800) 47μH±10% | | | | | | | 1 | |
| L5 | 1025-60 | . REACTOR (99800) 47μH±10% | | | | | | | 1 | |
| Q1 | 2N2484-1 | . TRANSISTOR (F0115) 2N2484-1 | | | | | | | 1 | |
| R1 | RC2T1KJ | . RESISTOR, FIXED, FILM (F0114) 1KΩ±5% 1/4W | | | | | | | 1 | |
| R2 | RC2T10UJ | . RESISTOR, FIXED, FILM (F0114) 10Ω±5% 1/4W | | | | | | | 1 | |
| R3 | RC2T180UJ | . RESISTOR, FIXED, FILM (F0114) 180Ω±5% 1/4W | | | | | | | 1 | |
| R4 | VA05H220UM | . RESISTOR, VARIABLE (F0978) 220Ω±20% 1/2W | | | | | | | 1 | |
| R5 | RC2T270UJ | . RESISTOR, FIXED, FILM (F0114) 270Ω±5% 1/4W | | | | | | | 1 | |
| R6 | VA05H220UM | . RESISTOR, VARIABLE (F0978) 220Ω±20% 1/2W | | | | | | | 1 | |
| R7 | RC2T330UJ | . RESISTOR, FIXED, FILM (F0114) 330Ω±5% 1/4W | | | | | | | 1 | |
| R11 | RC2T10KJ | . RESISTOR, FIXED, FILM (F0114) 10KΩ±5% 1/4W | | | | | | | 1 | |



PL.1.KNEE OPERATED KEYER

| DRAWING ITEM | MANUFACTURER'S PART NUMBER | DESCRIPTION 1 2 3 4 5 6 7 | Qty | Proc. |
|-----------------|-------------------------------|---|-----|-------|
| A5 | 15028225 | KEY, KNEE OPERATED (SEE SECTION 2, PLATE 01) | FM | |
| P1 | 562GB06E10-08P | . CONNECTOR, ELECTRICAL, PLUG (K1100) | 1 | |
| XXX1 | 15161520 | . OPERATED KEYS | 1 | |
| XXX3 | 130521 | . LUG, CONTACT (F0286) | 1 | |
| XXX4 | 15161521 | . STRAP | 1 | |

| MANUFACTURER'S PART NUMBER | VENDOR CODE | DRAWING ITEM | NATO CODE | Qty |
|-------------------------------|----------------|---------------|------------------|-----|
| | | 2 A8 | 5965-14- | 1 |
| | | 2 A9 | 5965-14- | 1 |
| | | 2 A10 | 5895- | 1 |
| BA152A | F4601 | 2-2-04-2CR201 | 5961-14- | 1 |
| BA152A | F4601 | 2-2-04-2CR202 | 5961-14- | 1 |
| BA152A | F4601 | 2-2-04-2CR203 | 5961-14- | 1 |
| BA152A | F4601 | 2-2-04-2CR204 | 5961-14- | 1 |
| BA152A | F4601 | 2-2-04-2CR205 | 5961-14- | 1 |
| BA152A | F4601 | 2-2-04-3CR301 | 5961-14- | 1 |
| BA152A | F4601 | 2-2-04-3CR302 | 5961-14- | 1 |
| BA152A | F4601 | 2-2-04-3CR307 | 5961-14- | 1 |
| BA152A | F4601 | 2-2-04-3CR311 | 5961-14- | 1 |
| BA152A | F4601 | 2-2-04-3CR312 | 5961-14- | 1 |
| BFX48 | F3223 | 2-2-11 Q14 | 5961-14-277-1782 | 1 |
| BSA4 | F0229 | 2-2 XXX29 | 5310-14- | 2 |
| BZX46B22 | F4601 | 2-2-03-1CR26 | 5961-14-295-5141 | 1 |
| BZX46C13 | F0115 | 2-2-01-2CR14 | 5961-14-302-6041 | 1 |
| BZX46C5V6 | F4601 | 2-2-04-1CR102 | 5961-14-285-9230 | 1 |
| BZX46C5V6 | F4601 | 2-2-04-1CR105 | 5961-14-285-9230 | 1 |
| BZX46C5V6 | F4601 | 2-2-12 CR13 | 5961-14-285-9230 | 1 |
| BZX46C5V6 | F4601 | 2-2-13-2CR4 | 5961-14-285-9230 | 1 |
| BZX46C5V6 | F4601 | 2-2-13-2CR5 | 5961-14-285-9230 | 1 |
| BZX83C3V3 | F4601 | 2-2-10 CR4 | 5961-14- | 1 |
| BZX83C3V3 | F4601 | 2-2-01 CR2 | 5961-14- | 1 |
| B832007P4K7S | F4204 | 2-2-04-2R227 | 5905-14-224-9811 | 1 |
| B832007P4K7S | F4204 | 2-2-04-2R243 | 5905-14-235-9484 | 1 |
| CD4000AE | 86684 | 2-2-05 Z12 | 5962-00- | 1 |
| CD4001AE | 86684 | 2-2-05 Z5 | 5962-00- | 1 |
| CD4001AE | 86684 | 2-2-05 Z7 | 5962-00- | 1 |
| CD4001AE | 86684 | 2-2-07 Z6 | 5962-00- | 1 |
| CD4001AE | 86684 | 2-2-07 Z14 | 5962-00- | 1 |
| CD4001AE | 86684 | 2-2-07 Z15 | 5962-00- | 1 |
| CD4002AE | 86684 | 2-2-05 Z3 | 5962-00- | 1 |
| CD4009AE | 86684 | 2-2-05 Z1 | 5962-00- | 1 |
| CD4013AE | 86684 | 2-2-05 Z13 | 5962-00- | 1 |
| CD4013AE | 86684 | 2-2-06 Z1 | 5962-00- | 1 |
| CD4013AE | 86684 | 2-2-06 Z2 | 5962-00- | 1 |
| CD4013AE | 86684 | 2-2-07 Z4 | 5962-00- | 1 |
| CD4013AE | 86684 | 2-2-07 Z5 | 5962-00- | 1 |
| CD4013AE | 86684 | 2-2-07 Z7 | 5962-00- | 1 |
| CD4013AE | 86684 | 2-2-07 Z11 | 5962-00- | 1 |
| CD4013AE | 86684 | 2-2-07 Z12 | 5962-00- | 1 |
| CD4013AE | 86684 | 2-2-07 Z13 | 5962-00- | 1 |
| CD4013AE | 86684 | 2-2-07 Z16 | 5962-00- | 1 |
| CD4013AE | 86684 | 2-2-07 Z21 | 5962-00- | 1 |
| CD4018AE | 86684 | 2-2-05 Z2 | 5962-00- | 1 |
| CD4018AE | 86684 | 2-2-05 Z4 | 5962-00- | 1 |
| CD4018AE | 86684 | 2-2-05 Z6 | 5962-00- | 1 |
| CD4024AE | 86684 | 2-2-07 Z17 | 5962-00- | 1 |
| CE1-2-6U8DU | F0115 | 2-2-13-2C62 | 5910-14- | 1 |
| CE1-2C1U8CU | F0115 | 2-2-04-3C314 | 5910-14-202-4292 | 1 |
| CE1-2C3U9CU | F0115 | 2-2-04-1C104 | 5910-14-202-4311 | 1 |
| CE13-3-180UJ | F0115 | 2-2-11 C47 | 5910-14- | 1 |

| MANUFACTURER'S PART NUMBER | VENDOR CODE | DRAWING ITEM | NATO CODE | Qty |
|-------------------------------|----------------|--------------|------------------|-----|
| CE13-3C100UJ | F0115 | 2-2-04-3C337 | 5910-14-266-0944 | 1 |
| CE13-3C100UK | F0115 | 2-2-06 C24 | 5910-14-040-0751 | 1 |
| CE13-3C100UK | F0115 | 2-2-13-2C49 | 5910-14-040-0751 | 1 |
| CE13-3C100UK | F0115 | 2-2-13-2C50 | 5910-14-040-0751 | 1 |
| CE13-3C12UK | F0115 | 2-2-04-2C264 | 5910-14-040-0745 | 1 |
| CE13-3C120UK | F0115 | 2-2-04-2C247 | 5910-14-258-7654 | 1 |
| CE13-3C150UK | F0115 | 2-2-04-3C335 | 5910-14-279-7082 | 1 |
| CE13-3C18UK | F0115 | 2-2-04-3C331 | 5910-14-277-6790 | 1 |
| CE13-3C18UK | F0115 | 2-2-04-3C332 | 5910-14-277-6790 | 1 |
| CE13-3C180UK | F0115 | 2-2-04-3C336 | 5910-14-257-8534 | 1 |
| CE13-3C22UK | F0115 | 2-2-04-1C103 | 5910-14-257-8536 | 1 |
| CE13-3C22UK | F0115 | 2-2-04-1C105 | 5910-14-257-8536 | 1 |
| CE13-3C220UK | F0115 | 2-2-03-1C3 | 5910-14-277-6678 | 1 |
| CE13-3C220UK | F0115 | 2-2-03-1C12 | 5910-14-277-6678 | 1 |
| CE13-3C220UK | F0115 | 2-2-10 C42 | 5910-14-277-6678 | 1 |
| CE13-3C27UK | F0115 | 2-2-04-2C217 | 5910-14-291-6477 | 1 |
| CE13-3C33UK | F0115 | 2-2-04-2C265 | 5910-14-294-4120 | 1 |
| CE13-3C330UK | F0115 | 2-2-04-2C276 | 5910-14-287-8570 | 1 |
| CE13-3C330UK | F0115 | 2-2-04-2C277 | 5910-14-287-8570 | 1 |
| CE13-3C68UK | F0115 | 2-2-13-2C63 | 5910-14-257-8537 | 1 |
| CE13-3C82UK | F0115 | 2-2-04-2C212 | 5910-14-257-8535 | 1 |
| CE13-3C82UK | F0115 | 2-2-04-3C304 | 5910-14-257-8535 | 1 |
| CE13-3C82UK | F0115 | 2-2-04-3C307 | 5910-14-257-8535 | 1 |
| CE13-3C82UK | F0115 | 2-2-04-3C312 | 5910-14-257-8535 | 1 |
| CE13-3C82UK | F0115 | 2-2-04-3C317 | 5910-14-257-8535 | 1 |
| CE13-3C82UK | F0115 | 2-2-04-3C321 | 5910-14-257-8535 | 1 |
| CE13-3C82UK | F0115 | 2-2-10 C48 | 5910-14-257-8535 | 1 |
| CE2-3-22UM | F0115 | 2-2-06 C48 | 5910-14- | 1 |
| CE2-3C27UK | F0115 | 2-2-09 C61 | 5910-14-202-4409 | 1 |
| CE22-3C12UG | F0115 | 2-2-01 C201 | 5910-14-201-0237 | 1 |
| CE22-3C18U7G | F0115 | 2-2-01-2C3 | 5910-14- | 1 |
| CE22-3C18U7G | F0115 | 2-2-01-2C3 | 5910-14- | 1 |
| CE22-3C22UG | F0115 | 2-2-01 C306 | 5910-14- | 1 |
| CE27-3C31U6G | F0115 | 2-2-01 C204 | 5910-14- | 1 |
| CE3-3H33UK | F0115 | 2-2-06 C32 | 5910-14-202-0831 | 1 |
| CHP110-22UK | F0350 | 2-2-06 C26 | 5910-14- | 1 |
| CHP110-22UK | F0350 | 2-2-06 C33 | 5910-14- | 1 |
| CLU904-120UK | F0350 | 2-2-06 C35 | 5910-14-258-7658 | 1 |
| CLU905-180UJ | F0350 | 2-2-06 C27 | 5910-14-295-0371 | 1 |
| CN13-5-2K2M | F0115 | 2-2-13-1C32 | 5910-14-264-2796 | 1 |
| CN13-5-470UM | F0115 | 2-2-13-2C42 | 5910-14-256-6972 | 1 |
| CN2-220UM | F0115 | 2-2-07 C16 | 5910-14-274-4835 | 1 |
| CN2-220UM | F0115 | 2-2-07 C24 | 5910-14-274-4835 | 1 |
| CN2-33UM | F0115 | 2-2-07 C17 | 5910-14- | 1 |
| CN2-5-100UK | F0115 | 2-2-05 C3 | 5910-14-202-7080 | 1 |
| CN2-5-100UK | F0115 | 2-2-05 C5 | 5910-14-202-7080 | 1 |
| CN2-5-100UK | F0115 | 2-2-05 C6 | 5910-14-202-7080 | 1 |
| CN2-5-100UK | F0115 | 2-2-05 C8 | 5910-14-202-7080 | 1 |
| CN2-5-100UM | F0115 | 2-2-07 C3 | 5910-14- | 1 |
| CN2-5-100UM | F0115 | 2-2-12 C4 | 5910-14- | 1 |
| CN2-5-100UM | F0115 | 2-2-12 C5 | 5910-14- | 1 |
| CN2-5-100UM | F0115 | 2-2-12 C13 | 5910-14- | 1 |
| CN2-5-2K2M | F0115 | 2-2-12 C7 | 5910-14- | 1 |

| MANUFACTURER'S PART NUMBER | VENDOR CODE | DRAWING ITEM | NATO CODE | Qty |
|-------------------------------|----------------|--------------|------------------|-----|
| CN2-5-22UK | F0115 | 2-2-13-2C34 | 5910-14- | 1 |
| CN2-5-220UK | F0115 | 2-2-05 C4 | 5910-14-256-1133 | 1 |
| CN2-5-220UK | F0115 | 2-2-05 C12 | 5910-14-256-1133 | 1 |
| CN2-5-33UM | F0115 | 2-2-06 C45 | 5910-14- | 1 |
| CN2-5-220UM | F0115 | 2-2-06 C46 | 5910-14- | 1 |
| CN2-5-47UM | F0115 | 2-2-06 C47 | 5910-14-268-4482 | 1 |
| CN2-5-56UK | F0115 | 2-2-05 C13 | 5910-14- | 1 |
| CN2-5-68UM | F0115 | 2-2-06 C1 | 5910-14- | 1 |
| CN2-5-68UM | F0115 | 2-2-06 C52 | 5910-14- | 1 |
| CN31-5-1KM | F0115 | 2-2-06 C13 | 5910-14-279-7128 | 1 |
| CN31-5-1KM | F0115 | 2-2-08 C12 | 5910-14-279-7128 | 1 |
| CN31-5-1KM | F0115 | 2-2-12 C1 | 5910-14-279-7128 | 1 |
| CN31-5-1KM | F0115 | 2-2-13-2C17 | 5910-14-279-7128 | 1 |
| CN31-5-1K5M | F0115 | 2-2-13-2C12 | 5910-14-258-7663 | 1 |
| CN31-5-1K5M | F0115 | 2-2-13-2C15 | 5910-14-258-7663 | 1 |
| CN31-5-10KK | F0115 | 2-2-06 C17 | 5910-14-258-7665 | 1 |
| CN31-5-10KM | F0115 | 2-2-01-2C8 | 5910-14-264-2795 | 1 |
| CN31-5-10KM | F0115 | 2-2-01-2C9 | 5910-14-264-2795 | 1 |
| CN31-5-10KM | F0115 | 2-2-01-2C15 | 5910-14-264-2795 | 1 |
| CN31-5-10KM | F0115 | 2-2-01-2C16 | 5910-14-264-2795 | 1 |
| CN31-5-10KM | F0115 | 2-2-01-2C21 | 5910-14-264-2795 | 1 |
| CN31-5-10KM | F0115 | 2-2-01-2C23 | 5910-14-264-2795 | 1 |
| CN31-5-10KM | F0115 | 2-2-01-2C24 | 5910-14-264-2795 | 1 |
| CN31-5-10KM | F0115 | 2-2-01-2C25 | 5910-14-264-2795 | 1 |
| CN31-5-10KM | F0115 | 2-2-01-2C27 | 5910-14-264-2795 | 1 |
| CN31-5-10KM | F0115 | 2-2-01-2C28 | 5910-14-264-2795 | 1 |
| CN31-5-10KM | F0115 | 2-2-06 C6 | 5910-14-264-2759 | 1 |
| CN31-5-10KM | F0115 | 2-2-11 C28 | 5910-14-264-2795 | 1 |
| CN31-5-10KM | F0115 | 2-2-11 C29 | 5910-14-264-2795 | 1 |
| CN31-5-10KM | F0115 | 2-2-12 C17 | 5910-14-264-2795 | 1 |
| CN31-5-10KM | F0115 | 2-2-12 C21 | 5910-14-264-2795 | 1 |
| CN31-5-10KM | F0115 | 2-2-12 C22 | 5910-14-264-2795 | 1 |
| CN31-5-10KM | F0115 | 2-2-13-2C16 | 5910-14-264-2795 | 1 |
| CN31-5-2K2M | F0115 | 2-2-01-1C305 | 5910-14-264-2796 | 1 |
| CN31-5-2K2M | F0115 | 2-2-04-3C301 | 5910-14-264-2796 | 1 |
| CN31-5-2K2M | F0115 | 2-2-04-3C302 | 5910-14-264-2796 | 1 |
| CN31-5-2K2M | F0115 | 2-2-09 C53 | 5910-14-264-2796 | 1 |
| CN31-5-2K2M | F0115 | 2-2-10 C44 | 5910-14-264-2796 | 1 |
| CN31-5-2K2M | F0115 | 2-2-12 C2 | 5910-14-264-2796 | 1 |
| CN31-5-2K2M | F0115 | 2-2-12 C3 | 5910-14-264-2796 | 1 |
| CN31-5-22UM | F0115 | 2-2-12 C14 | 5910-14- | 1 |
| CN31-5-3K3M | F0115 | 2-2-04-4C401 | 5910-14-292-6793 | 1 |
| CN31-5-4K7M | F0115 | 2-2-01-2C13 | 5910-14-264-2797 | 1 |
| CN31-5-4K7M | F0115 | 2-2-01-2C14 | 5910-14-264-2797 | 1 |
| CN31-5-4K7M | F0115 | 2-2-07 C7 | 5910-14-264-2797 | 1 |
| CN31-5-4K7M | F0115 | 2-2-09 C55 | 5910-14-264-2797 | 1 |
| CN31-5-470UK | F0115 | 2-2-06 C16 | 5910-14-040-2305 | 1 |
| CN31-5-470UM | F0115 | 2-2-03-1C2 | 5910-14-256-6972 | 1 |
| CN31-5-470UM | F0115 | 2-2-04-2C256 | 5910-14-256-6972 | 1 |
| CN31-5-470UM | F0115 | 2-2-04-2C257 | 5910-14-256-6972 | 1 |
| CN31-5-470UM | F0115 | 2-2-04-2C261 | 5910-14-256-6972 | 1 |
| CN31-5-470UM | F0115 | 2-2-04-2C262 | 5910-14-256-6972 | 1 |
| CN31-5-470UM | F0115 | 2-2-04-3C343 | 5910-14-256-6972 | 1 |

| MANUFACTURER'S PART NUMBER | VENDOR CODE | DRAWING ITEM | NATO CODE | Qty |
|-------------------------------|----------------|--------------|------------------|-----|
| CN31-5-47OUM | F0115 | 2-2-04-3C345 | 5910-14-256-6972 | 1 |
| CN31-5-47OUM | F0115 | 2-2-04-3C346 | 5910-14-256-6972 | 1 |
| CN31-5-47OUM | F0115 | 2-2-04-3C347 | 5910-14-256-6972 | 1 |
| CN31-5-47OUM | F0115 | 2-2-04-4C403 | 5910-14-256-6972 | 1 |
| CN31-5-47OUM | F0115 | 2-2-04-4C407 | 5910-14-256-6972 | 1 |
| CN31-5-47OUM | F0115 | 2-2-04-4C411 | 5910-14-256-6972 | 1 |
| CN31-5-47OUM | F0115 | 2-2-04-4C412 | 5910-14-256-6972 | 1 |
| CN31-5-47OUM | F0115 | 2-2-04-4C414 | 5910-14-256-6972 | 1 |
| CN31-5-47OUM | F0115 | 2-2-04-4C415 | 5910-14-256-6972 | 1 |
| CN31-5-47OUM | F0115 | 2-2-05 C9 | 5910-14-256-6972 | 1 |
| CN31-5-47OUM | F0115 | 2-2-06 C23 | 5910-14-256-6972 | 1 |
| CN31-5-47OUM | F0115 | 2-2-06 C25 | 5910-14-256-6972 | 1 |
| CN31-5-47OUM | F0115 | 2-2-06 C36 | 5910-14-256-6972 | 1 |
| CN31-5-47OUM | F0115 | 2-2-12 C12 | 5910-14-256-6972 | 1 |
| CPM7B63V100KK | F0115 | 2-2-02 C5 | 5910-14-254-2858 | 1 |
| CPM7B63V100KK | F0115 | 2-2-02 C6 | 5910-14-254-2858 | 1 |
| CTS13-25V10MM | F0115 | 2-2-02-1C1 | 5910-14-222-4476 | 1 |
| CTS13P10V33MM | F0115 | 2-2-12 C15 | 5910-14-222-4445 | 1 |
| CTS13P10V33MM | F0115 | 2-2-13-2C29 | 5910-14-222-4445 | 1 |
| CTS13P10V4M7M | F0115 | 2-2-10 C18 | 5910-14-214-4336 | 1 |
| CTS13P10V4M7M | F0115 | 2-2-10 C36 | 5910-14-214-4336 | 1 |
| CTS13P10V4M7M | F0115 | 2-2-10 C46 | 5910-14-214-4336 | 1 |
| CTS13P10V4M7M | F0115 | 2-2-10 C47 | 5910-14-214-4336 | 1 |
| CTS13P10V4M7M | F0115 | 2-2-11 C13 | 5910-14-214-4336 | 1 |
| CTS13P10V4M7M | F0115 | 2-2-11 C22 | 5910-14-214-4336 | 1 |
| CTS13P16V22MM | F0115 | 2-2-03-1C16 | 5910-14-220-5945 | 1 |
| CTS13P16V22MM | F0115 | 2-2-03-1C17 | 5910-14-220-5945 | 1 |
| CTS13P16V22MM | F0115 | 2-2-03-1C21 | 5910-14-220-5945 | 1 |
| CTS13P16V22MM | F0115 | 2-2-03-1C26 | 5910-14-220-5945 | 1 |
| CTS13P16V22MM | F0115 | 2-2-03-1C27 | 5910-14-220-5945 | 1 |
| CTS13P16V22MM | F0115 | 2-2-03-1C31 | 5910-14-220-5945 | 1 |
| CTS13P16V22MM | F0115 | 2-2-06 C12 | 5910-14-220-5945 | 1 |
| CTS13P16V22MM | F0115 | 2-2-06 C42 | 5910-14-220-5945 | 1 |
| CTS13P16V22MM | F0115 | 2-2-07 C1 | 5910-14-220-5945 | 1 |
| CTS13P16V22MM | F0115 | 2-2-07 C12 | 5910-14-220-5945 | 1 |
| CTS13P16V22MM | F0115 | 2-2-07 C14 | 5910-14-220-5945 | 1 |
| CTS13P16V22MM | F0115 | 2-2-07 C15 | 5910-14-220-5945 | 1 |
| CTS13P16V22MM | F0115 | 2-2-10 C27 | 5910-14-220-5945 | 1 |
| CTS13P16V22MM | F0115 | 2-2-11 C53 | 5910-14-220-5945 | 1 |
| CTS13P16V3M3K | F0115 | 2-2-07 C8 | 5910-14-258-9828 | 1 |
| CTS13P16V3M3M | F0115 | 2-2-10 C6 | 5910-14-231-9655 | 1 |
| CTS13P20V100KM | F0115 | 2-2-10 C54 | 5910-14- | 1 |
| CTS13P20V100KM | F0115 | 2-2-10 C56 | 5910-14- | 1 |
| CTS13P20V15MM | F0115 | 2-2-01-2C5 | 5910-14-222-4464 | 1 |
| CTS13P20V15MM | F0115 | 2-2-06 C7 | 5910-14-222-4464 | 1 |
| CTS13P20V15MM | F0115 | 2-2-07 C21 | 5910-14-222-4464 | 1 |
| CTS13P20V2M2M | F0115 | 2-2-09 C5 | 5910-14-222-3712 | 1 |
| CTS13P20V2M2M | F0115 | 2-2-09 C14 | 5910-14-222-3712 | 1 |
| CTS13P20V2M2M | F0115 | 2-2-09 C15 | 5910-14-222-3712 | 1 |
| CTS13P20V2M2M | F0115 | 2-2-09 C26 | 5910-14-222-3712 | 1 |
| CTS13P20V2M2M | F0115 | 2-2-10 C12 | 5910-14-222-3712 | 1 |
| CTS13P20V2M2M | F0115 | 2-2-10 C13 | 5910-14-222-3712 | 1 |
| CTS13P20V2M2M | F0115 | 2-2-10 C21 | 5910-14-222-3712 | 1 |

| MANUFACTURER'S - PART NUMBER | VENDOR CODE | DRAWING ITEM | NATO CODE | Qty |
|---------------------------------|----------------|--------------|------------------|-----|
| CTS13P20V2M2M | F0115 | 2-2-10 C24 | 5910-14-222-3712 | 1 |
| CTS13P20V2M2M | F0115 | 2-2-10 C33 | 5910-14-222-3712 | 1 |
| CTS13P20V2M2M | F0115 | 2-2-10 C35 | 5910-14-222-3712 | 1 |
| CTS13P20V2M2M | F0115 | 2-2-10 C41 | 5910-14-222-3712 | 1 |
| CTS13P20V2M2M | F0115 | 2-2-11 C5 | 5910-14-222-3712 | 1 |
| CTS13P20V2M2M | F0115 | 2-2-11 C12 | 5910-14-222-3712 | 1 |
| CTS13P20V2M2M | F0115 | 2-2-11 C24 | 5910-14-222-3712 | 1 |
| CTS13P20V2M2M | F0115 | 2-2-12 C23 | 5910-14-222-3712 | 1 |
| CTS13P20V2M2M | F0115 | 2-4-01 C2 | 5910-14-222-3712 | 1 |
| CTS13P25V10MM | F0115 | 2-2-07 C11 | 5910-14-222-4476 | 1 |
| CTS13P25V10MM | F0115 | 2-2-10 C7 | 5910-14-222-4476 | 1 |
| CTS13P25V10MM | F0115 | 2-2-11 C23 | 5910-14-222-4476 | 1 |
| CTS13P25V10MM | F0115 | 2-4-01 C5 | 5910-14-222-4476 | 1 |
| CTS13P25V68MM | F0115 | 2-2-13-2C33 | 5910-14-220-2304 | 1 |
| CTS13P35V1MM | F0115 | 2-2-10 C11 | 5910-14-214-4356 | 1 |
| CTS13P35V1MM | F0115 | 2-2-10 C19 | 5910-14-214-4356 | 1 |
| CTS13P35V1MM | F0115 | 2-2-10 C23 | 5910-14-214-4356 | 1 |
| CTS13P35V1MM | F0115 | 2-2-10 C45 | 5910-14-214-4356 | 1 |
| CTS13P35V1MM | F0115 | 2-2-11 C4 | 5910-14-214-4356 | 1 |
| CTS13P35V1MM | F0115 | 2-2-11 C9 | 5910-14-214-4356 | 1 |
| CTS13P35V22MM | F0115 | 2-2-03-1C4 | 5910-14-214-4342 | 1 |
| CTS13P35V22MM | F0115 | 2-2-03-1C5 | 5910-14-214-4342 | 1 |
| CTS13P35V4M7K | F0115 | 2-2-13-2C26 | 5910-14-232-9465 | 1 |
| CTS13P35V4M7M | F0115 | 2-2-03-1C13 | 5910-14-220-5944 | 1 |
| CTS13P35V4M7M | F0115 | 2-2-03-1C22 | 5910-14-220-5944 | 1 |
| CTS13P35V4M7M | F0115 | 2-2-03-1C23 | 5910-14-220-5944 | 1 |
| CTS13P35V47MM | F0115 | 2-2-03-1C6 | 5910-14-214-4347 | 1 |
| CTS13P35V47MM | F0115 | 2-2-13-2C43 | 5910-14-214-4347 | 1 |
| CTS13P6V100MM | F0115 | 2-4-01 C3 | 5910-14-222-4441 | 1 |
| CTS13P6V330MM | F0115 | 2-2-13-2C21 | 5910-14-210-8304 | 1 |
| CTS13P6V47MM | F0115 | 2-2-10 C8 | 5910-14-213-7076 | 1 |
| CTS13P6V47MM | F0115 | 2-2-10 C37 | 5910-14-213-7076 | 1 |
| CTS13P6V47MM | F0115 | 2-2-13-2C1 | 5910-14-214-4341 | 1 |
| CTS13P6V56MM | F0115 | 2-2-03-1C1 | 5910-14-222-4531 | 1 |
| CTS13P6V56MM | F0115 | 2-2-03-1C14 | 5910-14-222-4531 | 1 |
| CTS13P6V56MM | F0115 | 2-2-03-1C15 | 5910-14-222-4531 | 1 |
| CTS13P6V56MM | F0115 | 2-2-03-1C24 | 5910-14-222-4531 | 1 |
| CTS13P6V56MM | F0115 | 2-2-03-1C25 | 5910-14-222-4531 | 1 |
| C0156 | F2779 | 2-2-05 XXX1 | 5961-14-293-6831 | 2 |
| C021-10V22MFK | F0115 | 2-2-08 C3 | 5910-14-283-6482 | 1 |
| C021-10V22MFK | F0115 | 2-2-08 C4 | 5910-14-283-6482 | 1 |
| C021-10V22MFK | F0115 | 2-2-08 C5 | 5910-14-283-6482 | 1 |
| C021-10V22MFK | F0115 | 2-2-08 C7 | 5910-14-283-6482 | 1 |
| C021-10V22MFK | F0115 | 2-2-12 C16 | 5910-14-283-6482 | 1 |
| C021-16V15MFK | F0115 | 2-2-02-2C103 | 5910-14-279-6359 | 1 |
| C021-16V15MFK | F0115 | 2-2-05 C7 | 5910-14-279-6359 | 1 |
| DBM21W1P179A | F3132 | 2-2-01-2J1 | 5935-14- | 1 |
| DBM21W1S | F3132 | 2-2-13 J104 | 5935-14- | 1 |
| DH485C | F6204 | 2-2-13-2CR11 | 5961-14- | 1 |
| DH490 | F6204 | 2-2-13-2CR7 | 5961-14- | 1 |
| DM53741-5001 | F3132 | 2-2-01-2J2 | 5935-14- | 1 |
| DM53743-5001 | F3132 | 2-2-13 J105 | 5935-14- | 1 |
| DQX704-1KM | F0350 | 2-2-10 C16 | 5910-14-252-4963 | 1 |

| MANUFACTURER'S PART NUMBER | VENDOR CODE | DRAWING ITEM | NATO CODE | Qty |
|-------------------------------|----------------|--------------|------------------|-----|
| DQX704-1KM | F0350 | 2-2-11 C25 | 5910-14-252-4963 | 1 |
| DQX704-1KM | F0350 | 2-2-11 C26 | 5910-14-252-4963 | 1 |
| DQX704-470UM | F0350 | 2-2-04-2C201 | 5910-14-040-3462 | 1 |
| DQX704-470UM | F0350 | 2-2-04-2C202 | 5910-14-040-3462 | 1 |
| DQX704-470UM | F0350 | 2-2-04-2C203 | 5910-14-040-3462 | 1 |
| DQX704-470UM | F0350 | 2-2-04-2C211 | 5910-14-040-3462 | 1 |
| DQX704-470UM | F0350 | 2-2-04-2C214 | 5910-14-040-3462 | 1 |
| DQX704-470UM | F0350 | 2-2-04-2C215 | 5910-14-040-3462 | 1 |
| DQX704-470UM | F0350 | 2-2-04-2C216 | 5910-14-040-3462 | 1 |
| DQX704-470UM | F0350 | 2-2-04-2C224 | 5910-14-040-3462 | 1 |
| DQX704-470UM | F0350 | 2-2-04-2C226 | 5910-14-040-3462 | 1 |
| DQX704-470UM | F0350 | 2-2-04-2C227 | 5910-14-040-3462 | 1 |
| DQX704-470UM | F0350 | 2-2-04-2C231 | 5910-14-040-3462 | 1 |
| DQX704-470UM | F0350 | 2-2-04-2C232 | 5910-14-040-3462 | 1 |
| DQX704-470UM | F0350 | 2-2-04-2C233 | 5910-14-040-3462 | 1 |
| DQX704-470UM | F0350 | 2-2-04-2C234 | 5910-14-040-3462 | 1 |
| DQX704-470UM | F0350 | 2-2-04-2C236 | 5910-14-040-3462 | 1 |
| DQX704-470UM | F0350 | 2-2-04-2C237 | 5910-14-040-3462 | 1 |
| DQX704-470UM | F0350 | 2-2-04-2C241 | 5910-14-040-3462 | 1 |
| DQX704-470UM | F0350 | 2-2-04-2C242 | 5910-14-040-3462 | 1 |
| DQX704-470UM | F0350 | 2-2-04-2C243 | 5910-14-040-3462 | 1 |
| DQX704-470UM | F0350 | 2-2-04-2C245 | 5910-14-040-3462 | 1 |
| DQX704-470UM | F0350 | 2-2-04-2C251 | 5910-14-040-3462 | 1 |
| DQX704-470UM | F0350 | 2-2-04-2C253 | 5910-14-040-3462 | 1 |
| DQX704-470UM | F0350 | 2-2-04-2C254 | 5910-14-040-3462 | 1 |
| DQX704-470UM | F0350 | 2-2-04-2C255 | 5910-14-040-3462 | 1 |
| DQX704-470UM | F0350 | 2-2-04-2C263 | 5910-14-040-3462 | 1 |
| DQX704-470UM | F0350 | 2-2-04-2C266 | 5910-14-040-3462 | 1 |
| DQX704-470UM | F0350 | 2-2-04-2C267 | 5910-14-040-3462 | 1 |
| DQX704-470UM | F0350 | 2-2-04-2C278 | 5910-14-040-3462 | 1 |
| DQX704-470UM | F0350 | 2-2-04-3C303 | 5910-14-040-3462 | 1 |
| DQX704-470UM | F0350 | 2-2-04-3C311 | 5910-14-040-3462 | 1 |
| DQX704-470UM | F0350 | 2-2-04-3C313 | 5910-14-040-3462 | 1 |
| DQX704-470UM | F0350 | 2-2-04-3C315 | 5910-14-040-3462 | 1 |
| DQX704-470UM | F0350 | 2-2-04-3C327 | 5910-14-040-3462 | 1 |
| DQX704-470UM | F0350 | 2-2-04-3C333 | 5910-14-040-3462 | 1 |
| DQX704-470UM | F0350 | 2-2-04-3C334 | 5910-14-040-3462 | 1 |
| DQX704-470UM | F0350 | 2-2-04-3C341 | 5910-14-040-3462 | 1 |
| DQX704-470UM | F0350 | 2-2-04-3C342 | 5910-14-040-3462 | 1 |
| DQX704-470UM | F0350 | 2-2-04-3C351 | 5910-14-040-3462 | 1 |
| DQX704-470UM | F0350 | 2-2-04-3C352 | 5910-14-040-3462 | 1 |
| DQX704-470UM | F0350 | 2-2-04-3C354 | 5910-14-040-3462 | 1 |
| DQX704-470UM | F0350 | 2-2-04-3C355 | 5910-14-040-3462 | 1 |
| DQX704-470UM | F0350 | 2-2-04-3C361 | 5910-14-040-3462 | 1 |
| DQX704-470UM | F0350 | 2-2-04-3C363 | 5910-14-040-3462 | 1 |
| DQX704-470UM | F0350 | 2-2-04-3C365 | 5910-14-040-3462 | 1 |
| DQX704-470UM | F0350 | 2-2-04-3C366 | 5910-14-040-3462 | 1 |
| DQX704-470UM | F0350 | 2-2-04-3C367 | 5910-14-040-3462 | 1 |
| DQX704-470UM | F0350 | 2-2-04-4C406 | 5910-14-040-3462 | 1 |
| DQX704-470UM | F0350 | 2-2-04-4C416 | 5910-14-040-3462 | 1 |
| DQX704-470UM | F0350 | 2-2-04-4C421 | 5910-14-040-3462 | 1 |
| DQX704-470UM | F0350 | 2-2-04-4C422 | 5910-14-040-3462 | 1 |
| DQX704-470UM | F0350 | 2-2-04-4C423 | 5910-14-040-3462 | 1 |

| MANUFACTURER'S PART NUMBER | VENDOR CODE | DRAWING ITEM | NATO CODE | Qty |
|-------------------------------|----------------|----------------|------------------|-----|
| DQX704-470UM | F0350 | 2-2-04-4C424 | 5910-14-040-3462 | 1 |
| DQX704-470UM | F0350 | 2-2-04-4C425 | 5910-14-040-3462 | 1 |
| DQX704-470UM | F0350 | 2-2-04-4C426 | 5910-14-040-3462 | 1 |
| DQX704-470UM | F0350 | 2-2-04-4C427 | 5910-14-040-3462 | 1 |
| DQX704-470UM | F0350 | 2-2-06 C21 | 5910-14-040-3462 | 1 |
| E113 | 17856 | 2-2-07 Q1 | 5961-00- | 1 |
| E113 | 17856 | 2-2-10 Q8 | 5961-00- | 1 |
| E113 | 17856 | 2-2-11 Q1 | 5961-00- | 1 |
| E27112A20Q4CCU | F0110 | 2-2-04 XXX10 | 5305-14-298-5881 | 17 |
| E27112A25M4CCU | F0110 | 2-2-13 XXX156 | 5305-14- | 4 |
| E27112A25Q4CCU | F0110 | 2-2-04 XXX12 | 5305-14-214-3540 | 1 |
| E27112A25Q6CCU | F0110 | 2-2 XXX7 | 5305-14-298-5880 | 3 |
| E27112B25M40CCU | F0110 | 2-2-03 XXX1 | 5305-14- | 4 |
| E27113B25Q6CCU | F0110 | 2-3 XXX17 | 5305-14-257-9677 | 4 |
| E27113B25Q8CCU | F0110 | 2-2 XXX9 | 5305-14-226-3458 | 1 |
| E27113B30G6EBUL | F0110 | 2-2-13 XXX141 | 5305-14- | 2 |
| E27115C25M12CCU | F0110 | 2-2-13 XXX161 | 5305-14- | 2 |
| E27311H30Q10CCU | F0110 | 2-2 XXX6 | 5305-14-288-3818 | 2 |
| E27311H30Q6CCU | F0110 | 2-2 XXX2 | 5305-14-288-3823 | 2 |
| E27311H30Q6CCU | F0110 | 2-2-13 XXX130 | 5305-14-288-3823 | 2 |
| E27311H30Q8CCU | F0110 | 2-2 XXX4 | 5305-14-295-7519 | 2 |
| E27311H30Q8CCU | F0110 | 2-3 XXX5 | 5305-14-295-7519 | 4 |
| E27311H40M6CCU | F0110 | 2-4 XXX54 | 5305-14- | 4 |
| E27311H40Q6CCU | F0110 | 2-2-02 XXX1 | 5305-14- | 4 |
| E27411A20QCCU | F0110 | 2-2-02-2XXX100 | 5310-14-284-6735 | 2 |
| E27411A40QTFUF | F0110 | 2-4 XXX69 | 5310-14- | 2 |
| E27411B60QUBUF | F0110 | 2-2-02 XXX18 | 5310-14-254-9643 | 1 |
| E27611E25SAUL | F0110 | 2-2-04 XXX14 | 5310-14-293-8514 | 1 |
| E27611E40SAUL | F0110 | 2-4 XXX68 | 5310-14-251-6762 | 2 |
| E27611E60UBUF | F0110 | 2-2-02 XXX17 | 5310-14-222-3184 | 1 |
| E27611M25AEUL | F0110 | 2-2-13 XXX162 | 5310-14- | 2 |
| FD100 | F3223 | 2-2-13-1CR3 | 5961-14-300-2197 | 1 |
| FN107-2002 | F6180 | 2-2-13 L122 | 5950-14- | 1 |
| FST5020-10A | F1119 | 2-3 F101 | 5920-14-224-1225 | 1 |
| F22 | F4759 | 2-3 CR101 | 5661-14-277-9498 | 1 |
| GRV6CA1KM | F0978 | 2-2-02-2R104 | 5905-14-293-4581 | 1 |
| G05D26A2BBAL802812 | F3132 | 2-2-02-2J105 | 5935-14- | 1 |
| G05D26A2BBAL803811 | F3132 | 2-2-02-2J104 | 5935-14- | 1 |
| G05D26A2BBAL804810 | F3132 | 2-2-02-2J103 | 5935-14- | 1 |
| G05D36A2BBAL801818 | F3132 | 2-2-02-2J102 | 5935-14- | 1 |
| G05D40A2BBAL801820 | F3132 | 2-2-02-2J113 | 5935-14- | 1 |
| G05D40A2BBAL802819 | F3132 | 2-2-02-2J111 | 5935-14- | 1 |
| G05D40A2BBAL803818 | F3132 | 2-2-02-2J107 | 5935-14- | 1 |
| G05D40A2BBAL804817 | F3132 | 2-2-02-2J106 | 5935-14- | 1 |
| G05D46A2BBAL801823 | F3132 | 2-2-02-2J112 | 5935-14- | 1 |
| HE501N50AP | F0115 | 2-2-02 J201 | 5935-14-213-6393 | 1 |
| HE501N50AS | F0115 | 2-2-13 J102 | 5935-14-213-6400 | 1 |
| HP5082-2800 | 28480 | 2-2-04-2CR206 | 5961-00- | 1 |
| HP5082-2800 | 28480 | 2-2-04-2CR207 | 5961-00- | 1 |
| HP5082-2800 | 28480 | 2-2-04-2CR211 | 5961-00- | 1 |
| HP5082-2800 | 28480 | 2-2-04-2CR212 | 5961-00- | 1 |
| HP5082-2800 | 28480 | 2-2-04-3CR303 | 5961-00- | 1 |
| HP5082-2800 | 28480 | 2-2-04-3CR304 | 5961-00- | 1 |

| MANUFACTURER'S PART NUMBER | VENDOR CODE | DRAWING ITEM | NATO CODE | Qty |
|-------------------------------|----------------|---------------|------------------|-----|
| HP5082-2800 | 28480 | 2-2-04-3CR305 | 5961-00- | 1 |
| HP5082-2800 | 28480 | 2-2-04-3CR306 | 5961-00- | 1 |
| HP5082-2800 | 28480 | 2-2-04-4CR401 | 5961-00- | 1 |
| HP5082-2800 | 28480 | 2-2-04-4CR402 | 5961-00- | 1 |
| HP5082-2800 | 28480 | 2-2-08 CR1 | 5961-00- | 1 |
| HP5082-2800 | 28480 | 2-2-08 CR2 | 5961-00- | 1 |
| HP5082-2800 | 28480 | 2-2-08 CR3 | 5961-00- | 1 |
| HP5082-2800 | 28480 | 2-2-08 CR4 | 5961-00- | 1 |
| HP5082-2800 | 28480 | 2-2-09 CR12 | 5961-00- | 1 |
| HP5082-2800 | 28480 | 2-2-13-1CR12 | 5961-00- | 1 |
| IPD213-100KK | F0350 | 2-2-01-2C1 | 5910-14-268-4648 | 1 |
| IPD213-100KK | F0350 | 2-2-01-2C11 | 5910-14-268-4648 | 1 |
| IPD213-100KK | F0350 | 2-2-01-2C12 | 5910-14-268-4648 | 1 |
| IPD213-100KK | F0350 | 2-2-01-2C17 | 5910-14-268-4648 | 1 |
| IPD213-100KK | F0350 | 2-2-01-2C22 | 5910-14-268-4648 | 1 |
| IPD213-100KK | F0350 | 2-2-01-2C26 | 5910-14-268-4648 | 1 |
| IPD213-100KK | F0350 | 2-2-02-1C2 | 5910-14-268-4648 | 1 |
| IPD213-100KK | F0350 | 2-2-02-1C3 | 5910-14-268-4648 | 1 |
| IPD213-100KK | F0350 | 2-2-02-1C4 | 5910-14-268-4648 | 1 |
| IPD213-100KK | F0350 | 2-2-02-1C7 | 5910-14-268-4648 | 1 |
| IPD213-100KK | F0350 | 2-2-02-1C8 | 5910-14-268-4648 | 1 |
| IPD213-100KK | F0350 | 2-2-02-1C9 | 5910-14-268-4648 | 1 |
| IPD213-100KK | F0350 | 2-2-09 C17 | 5910-14-268-4648 | 1 |
| IPD213-100KK | F0350 | 2-2-09 C21 | 5910-14-268-4648 | 1 |
| IPD213-100KK | F0350 | 2-2-09 C31 | 5910-14-268-4648 | 1 |
| IPD213-100KK | F0350 | 2-2-09 C32 | 5910-14-268-4648 | 1 |
| IPD213-100KK | F0350 | 2-2-09 C37 | 5910-14-268-4648 | 1 |
| IPD213-100KK | F0350 | 2-2-09 C41 | 5910-14-268-4648 | 1 |
| IPD213-100KK | F0350 | 2-2-09 C44 | 5910-14-268-4648 | 1 |
| IPD213-100KK | F0350 | 2-2-09 C54 | 5910-14-268-4648 | 1 |
| IPD213-100KK | F0350 | 2-2-09 C56 | 5910-14-268-4648 | 1 |
| IPD213-100KK | F0350 | 2-2-09 C57 | 5910-14-268-4648 | 1 |
| IPD213-100KK | F0350 | 2-2-09 C63 | 5910-14-268-4648 | 1 |
| IPD213-100KK | F0350 | 2-2-09 C65 | 5910-14-268-4648 | 1 |
| IPD213-100KK | F0350 | 2-2-09 C67 | 5910-14-268-4648 | 1 |
| IPD213-100KK | F0350 | 2-2-09 C71 | 5910-14-268-4648 | 1 |
| IPD213-100KK | F0350 | 2-2-09 C72 | 5910-14-268-4648 | 1 |
| IPD213-100KK | F0350 | 2-2-09 C74 | 5910-14-268-4648 | 1 |
| IPD213-100KK | F0350 | 2-2-09 C82 | 5910-14-268-4648 | 1 |
| IPD213-22KK | F0350 | 2-2-02-2C102 | 5910-14-266-8436 | 1 |
| IPD213-22KK | F0350 | 2-2-09 C27 | 5910-14-266-8436 | 1 |
| IPD213-47KK | F0350 | 2-2-01-2C2 | 5910-14- | 1 |
| IPD213-47KK | F0350 | 2-2-11 C8 | 5910-14- | 1 |
| IPD213-82KK | F0350 | 2-2-10 C31 | 5910-14- | 1 |
| IPD213-82KK | F0350 | 2-2-11 C1 | 5910-14- | 1 |
| IPD213-82KK | F0350 | 2-2-11 C7 | 5910-14- | 1 |
| IPD213-82KK | F0350 | 2-2-11 C11 | 5910-14- | 1 |
| IPD213-82KK | F0350 | 2-2-11 C14 | 5910-14- | 1 |
| IPD213-82KK | F0350 | 2-2-11 C27 | 5910-14- | 1 |
| IPD213-82KK | F0350 | 2-2-11 C35 | 5910-14- | 1 |
| IPD213-82KK | F0350 | 2-2-11 C42 | 5910-14- | 1 |
| IPD213-82KK | F0350 | 2-2-11 C44 | 5910-14- | 1 |

| MANUFACTURER'S PART NUMBER | VENDOR CODE | DRAWING ITEM | NATO CODE | Qty |
|-------------------------------|----------------|--------------|------------------|-----|
| IPD213-82KK | F0350 | 2-2-11 C45 | 5910-14- | 1 |
| IPD213-82KK | F0350 | 2-2-11 C51 | 5910-14- | 1 |
| IPD213-82KK | F0350 | 2-2-12 C8 | 5910-14- | 1 |
| IPD218-22OKK | F0350 | 2-4-01 C1 | 5910-14-268-4649 | 1 |
| IPF213-22KK | F0350 | 2-2-03-1C7 | 5910-14-266-8436 | 1 |
| IPF213-22KK | F0350 | 2-2-03-1C11 | 5910-14-266-8436 | 1 |
| IPF213-22KK | F0350 | 2-2-11 C2 | 5910-14- | 1 |
| IPF213-22KK | F0350 | 2-2-11 C21 | 5910-14- | 1 |
| IPG213-10KJ | F0350 | 2-2-10 C25 | 5910-14-302-8497 | 1 |
| IPG213-10KJ | F0350 | 2-2-10 C34 | 5910-14-302-8497 | 1 |
| KEF213-43K2F | F0350 | 2-2-10 C15 | 5910-14- | 1 |
| KM311-160V21K5F | F1379 | 2-2-10 C14 | 5910-14- | 1 |
| KM311-160V21K5F | F1379 | 2-2-10 C22 | 5910-14- | 1 |
| KM311-250V6K19G | F1379 | 2-2-01-2C7 | 5910-14- | 1 |
| KM311-400V1K47G | F1379 | 2-2-01-2C6 | 5910-14- | 1 |
| KM711-40V470KM | F1379 | 2-2-12 C6 | 5910-14- | 1 |
| KM711-40V470KM | F1379 | 2-2-12 C9 | 5910-14- | 1 |
| KM711-40V470KM | F1379 | 2-2-12 C11 | 5910-14- | 1 |
| KG201-31-7X20-4X0-4 | D9532 | 2-3 XXX29 | 5310-14- | 1 |
| L123T2 | F3223 | 2-2-07 Z1 | 5962-14-284-1360 | 1 |
| MA711 | F3223 | 2-2-01-2Z1 | 5962-14- | 1 |
| MA741 | F3223 | 2-2-10 Z1 | 5962-14- | 1 |
| MA741 | F3223 | 2-2-10 Z3 | 5962-14- | 1 |
| M1741 | F3223 | 2-2-11 Z2 | 5962-14- | 1 |
| MEM563C | A2952 | 2-2-06 Q4 | 5961-15- | 1 |
| MEM563C | A2952 | 2-2-06 Q5 | 5961-15- | 1 |
| MEM563C | A2952 | 2-2-07 Q2 | 5961-15- | 1 |
| MJE2801 | 04713 | 2-2-13-1Q14 | 5961-00- | 1 |
| MJE521 | 04713 | 2-2-13-1Q6 | 5961-00-828-0720 | 1 |
| MT2R20V4M7M | F2220 | 2-2-04-4C408 | 5910-14-290-8362 | 1 |
| MT2R20V4M7M | F2220 | 2-2-04-4C413 | 5910-14-290-8362 | 1 |
| MT2R20V4M7M | F2220 | 2-2-04-4C428 | 5910-14-290-8362 | 1 |
| MT5A16V68MM | F2220 | 2-2-04-4C404 | 5910-14-292-6794 | 1 |
| MT5R20V4M7M | F2220 | 2-2-04-4C405 | 5910-14-290-8362 | 1 |
| MUD210-2-100UG | F0350 | 2-2-09 C2 | 5910-14- | 1 |
| MUD210-2-100UG | F0350 | 2-2-09 C16 | 5910-14- | 1 |
| MUD210-2-100UG | F0350 | 2-2-09 C34 | 5910-14- | 1 |
| MUD210-2-100UG | F0350 | 2-2-09 C35 | 5910-14- | 1 |
| MUD213-95U3G | F0350 | 2-2-01-2C4 | 5910-14- | 1 |
| MUJ213-2-56U2G | F0350 | 2-2-01 C205 | 5910-14- | 1 |
| MUJ313-3-120UJ | F0350 | 2-2-01 C203 | 5910-14-293-6588 | 1 |
| MUJ313-3-137UF | F0350 | 2-2-01 C202 | 5910-14- | 1 |
| MVM003W | 73899 | 2-2-06 C34 | 5910-00- | 1 |
| MOD100-100DHMPORM5PCT | 75042 | 2-2-13-2R1 | 5905-14- | 1 |
| MOD100-10000HMPORM5PCT | 75042 | 2-2-13-2R82 | 5905-14- | 1 |
| MOD100-100000HMPORM5PCT | 75042 | 2-2-13-2R26 | 5905-14- | 1 |
| MOD100-10000HMPORM5PCT | 75042 | 2-2-01-2R25 | 5905-14- | 1 |
| MOD100-10000HMPORM5PCT | 75042 | 2-2-03-1R21 | 5905-14- | 1 |
| MOD9-10V10MM | F6180 | 2-2-09 C58 | 5910-14- | 1 |
| PLC932D150UK | F0350 | 2-2-13-2C61 | 5910-14- | 1 |
| PLZ925D150KM | F0350 | 2-2-13-2C54 | 5910-14- | 1 |
| PLZ932D10KM | F0350 | 2-2-13-2C4 | 5910-14- | 1 |
| PLZ932D10KM | F0350 | 2-2-13-2C5 | 5910-14- | 1 |
| PLZ932D2K2M | F0350 | 2-2-13-1C44 | 5910-14- | 1 |

| MANUFACTURER'S PART NUMBER | VENDOR CODE | DRAWING ITEM | NATO CODE | Qty |
|-------------------------------|----------------|--------------|------------------|-----|
| PLZ932D2K2M | F0350 | 2-2-13-2C46 | 5910-14- | 1 |
| PLZ932D4K7K | F0350 | 2-2-06 C15 | 5910-14- | 1 |
| PLZ932D4K7K | F0350 | 2-2-06 C22 | 5910-14- | 1 |
| PLZ932D4K7M | F0350 | 2-2-13-2C51 | 5910-14- | 1 |
| PLZ933D100KM | F0350 | 2-2-13-2C2 | 5910-14- | 1 |
| PLZ933D100KM | F0350 | 2-2-13-2C3 | 5910-14- | 1 |
| PLZ933D100KM | F0350 | 2-2-13-2C6 | 5910-14- | 1 |
| PLZ933D100KM | F0350 | 2-2-13-2C11 | 5910-14- | 1 |
| PLZ935D150KM | F0350 | 2-2-13-1C7 | 5910-14- | 1 |
| PLZ935D150KM | F0350 | 2-2-13-1C48 | 5910-14- | 1 |
| PLZ935D150KM | F0350 | 2-2-13-1C53 | 5910-14- | 1 |
| PLZ935D150KM | F0350 | 2-2-13-2C24 | 5910-14- | 1 |
| PLZ935D150KM | F0350 | 2-2-13-2C25 | 5910-14- | 1 |
| PLZ935D150KM | F0350 | 2-2-13-2C45 | 5910-14- | 1 |
| PLZ935D150KM | F0350 | 2-2-13-2C47 | 5910-14- | 1 |
| PLZ935D470KM | F0350 | 2-2-13-1C13 | 5910-14- | 1 |
| PLZ935D470KM | F0350 | 2-2-13-1C22 | 5910-14- | 1 |
| PLZ935D470KM | F0350 | 2-2-13-1C23 | 5910-14- | 1 |
| PLZ935D470KM | F0350 | 2-2-13-1C27 | 5910-14- | 1 |
| PLZ935D470KM | F0350 | 2-2-13-1C31 | 5910-14- | 1 |
| PLZ935D470KM | F0350 | 2-2-13-1C35 | 5910-14- | 1 |
| PLZ935D470KM | F0350 | 2-2-13-1C36 | 5910-14- | 1 |
| PLZ935D470KM | F0350 | 2-2-13-2C37 | 5910-14- | 1 |
| PLZ935D470KM | F0350 | 2-2-13-2C41 | 5910-14- | 1 |
| PLZ935D470KM | F0350 | 2-2-13-2C52 | 5910-14- | 1 |
| PLZ935PE470KM | F0350 | 2-2-13-2C28 | 5910-14- | 1 |
| RBX001-1MJ | F0350 | 2-2-04-4R401 | 5905-14-288-0407 | 1 |
| RBX001-1MJ | F0350 | 2-2-07 R12 | 5905-14-288-0407 | 1 |
| RBX001-1MJ | F0350 | 2-2-10 R115 | 5905-14-288-0407 | 1 |
| RBX001-1MJ | F0350 | 2-2-10 R116 | 5905-14-288-0407 | 1 |
| RBX001-1MJ | F0350 | 2-2-11 R35 | 5905-14-288-0407 | 1 |
| RBX001-2M2J | F0350 | 2-2-12 R73 | 5905-14- | 1 |
| RBX001-2M2J | F0350 | 2-2-12 R76 | 5905-14- | 1 |
| RBX001-2U2K | F0350 | 2-2-13-2R55 | 5905-14- | 1 |
| RBX001-2U2K | F0350 | 2-2-13-2R56 | 5905-14- | 1 |
| RBX001-2U2K | F0350 | 2-2-13-2R57 | 5905-14- | 1 |
| RBX001-2U2K | F0350 | 2-2-13-2R61 | 5905-14- | 1 |
| RBX001-2U2K | F0350 | 2-2-13-2R62 | 5905-14- | 1 |
| RBX001-2U2K | F0350 | 2-2-13-2R63 | 5905-14- | 1 |
| RBX001-3U9K | F0350 | 2-2-13-2R69 | 5905-14-235-9372 | 1 |
| RBX001-3U9K | F0350 | 2-2-13-2R70 | 5905-14-235-9372 | 1 |
| RBX001-390KJ | F0350 | 2-2-04-4R411 | 5905-14-235-9502 | 1 |
| RBX001-390KJ | F0350 | 2-2-12 R86 | 5905-14-235-9502 | 1 |
| RBX001-470KJ | F0350 | 2-2-12 R64 | 5905-14-235-9508 | 1 |
| RBX001-470KJ | F0350 | 2-2-12 R72 | 5905-14-235-9508 | 1 |
| RBX001-470KJ | F0350 | 2-2-12 R96 | 5905-14-235-9508 | 1 |
| RBX001-820KJ | F0350 | 2-2-04-4R407 | 5905-14-265-5433 | 1 |
| RBX003-2U2K | F0350 | 2-2-01-2R21 | 5905-14-279-3532 | 1 |
| RC2TAAJUSTER | F0114 | 2-2-05 R7 | 5905-14- | 1 |
| RC2TAAJUSTER | F0114 | 2-2-05 R8 | 5905-14- | 1 |
| RC2TAAJUSTER | F0114 | 2-2-11 R28 | 5905-14- | 1 |
| RC2TAAJUSTER | F0114 | 2-2-11 R37 | 5905-14- | 1 |

| MANUFACTURER'S PART NUMBER | VENDOR CODE | DRAWING ITEM | NATO CODE | Qty |
|-------------------------------|----------------|--------------|------------------|-----|
| RC2T1KJ | F0114 | 2-2-01-2R14 | 5905-14-235-9482 | 1 |
| RC2T1KJ | F0114 | 2-2-01-2R27 | 5905-14-235-9482 | 1 |
| RC2T1KJ | F0114 | 2-2-01-2R31 | 5905-14-235-9482 | 1 |
| RC2T1KJ | F0114 | 2-2-01-2R35 | 5905-14-235-9482 | 1 |
| RC2T1KJ | F0114 | 2-2-01-2R36 | 5905-14-235-9482 | 1 |
| RC2T1KJ | F0114 | 2-2-01-2R53 | 5905-14-235-9482 | 1 |
| RC2T1KJ | F0114 | 2-2-03-1R1 | 5905-14-235-9482 | 1 |
| RC2T1KJ | F0114 | 2-2-03-1R3 | 5905-14-235-9482 | 1 |
| RC2T1KJ | F0114 | 2-2-03-1R15 | 5905-14-235-9482 | 1 |
| RC2T1KJ | F0114 | 2-2-04-2R262 | 5905-14-235-9482 | 1 |
| RC2T1KJ | F0114 | 2-2-04-3R315 | 5905-14-235-9582 | 1 |
| RC2T1KJ | F0114 | 2-2-04-3R316 | 5905-14-235-9582 | 1 |
| RC2T1KJ | F0114 | 2-2-04-4R422 | 5905-14-235-9482 | 1 |
| RC2T1KJ | F0114 | 2-2-05 R16 | 5905-14-235-9482 | 1 |
| RC2T1KJ | F0114 | 2-2-06 R4 | 5905-14-235-9482 | 1 |
| RC2T1KJ | F0114 | 2-2-07 R28 | 5905-14-235-9482 | 1 |
| RC2T1KJ | F0114 | 2-2-09 R32 | 5905-14-235-9482 | 1 |
| RC2T1KJ | F0114 | 2-2-09 R35 | 5905-14-235-9482 | 1 |
| RC2T1KJ | F0114 | 2-2-09 R59 | 5905-14-235-9482 | 1 |
| RC2T1KJ | F0114 | 2-2-09 R63 | 5905-14-235-9482 | 1 |
| RC2T1KJ | F0114 | 2-2-09 R75 | 5905-14-235-9482 | 1 |
| RC2T1KJ | F0114 | 2-2-10 R25 | 5905-14-235-9482 | 1 |
| RC2T1KJ | F0114 | 2-2-10 R37 | 5905-14-235-9482 | 1 |
| RC2T1KJ | F0114 | 2-2-10 R49 | 5905-14-235-9482 | 1 |
| RC2T1KJ | F0114 | 2-2-10 R54 | 5905-14-235-9482 | 1 |
| RC2T1KJ | F0114 | 2-2-10 R56 | 5905-14-235-9482 | 1 |
| RC2T1KJ | F0114 | 2-2-10 R71 | 5905-14-235-9482 | 1 |
| RC2T1KJ | F0114 | 2-2-11 R13 | 5905-14-235-9482 | 1 |
| RC2T1KJ | F0114 | 2-2-11 R16 | 5905-14-235-9482 | 1 |
| RC2T1KJ | F0114 | 2-2-11 R32 | 5905-14-235-9482 | 1 |
| RC2T1KJ | F0114 | 2-2-11 R41 | 5905-14-235-9482 | 1 |
| RC2T1KJ | F0114 | 2-2-11 R47 | 5905-14-235-9482 | 1 |
| RC2T1KJ | F0114 | 2-2-11 R84 | 5905-14-235-9482 | 1 |
| RC2T1KJ | F0114 | 2-2-11 R106 | 5905-14-235-9482 | 1 |
| RC2T1KJ | F0114 | 2-2-11 R111 | 5905-14-235-9482 | 1 |
| RC2T1KJ | F0114 | 2-2-12 R13 | 5905-14-235-9482 | 1 |
| RC2T1KJ | F0114 | 2-2-12 R17 | 5905-14-235-9482 | 1 |
| RC2T1KJ | F0114 | 2-2-12 R22 | 5905-14-235-9482 | 1 |
| RC2T1KJ | F0114 | 2-2-12 R24 | 5905-14-235-9482 | 1 |
| RC2T1KJ | F0114 | 2-2-12 R104 | 5905-14-235-9482 | 1 |
| RC2T1KJ | F0114 | 2-2-13-1R93 | 5905-14-235-9482 | 1 |
| RC2T1KJ | F0114 | 2-2-13-1R96 | 5905-14-235-9482 | 1 |
| RC2T1KJ | F0114 | 2-4-01 R1 | 5905-14-235-9482 | 1 |
| RC2T1K2J | F0114 | 2-2-04-2R226 | 5905-14-235-9484 | 1 |
| RC2T1K2J | F0114 | 2-2-04-2R242 | 5905-14-235-9484 | 1 |
| RC2T1K2J | F0114 | 2-2-04-3R304 | 5905-14-235-9484 | 1 |
| RC2T1K2J | F0114 | 2-2-04-3R313 | 5905-14-235-9484 | 1 |
| RC2T1K2J | F0114 | 2-2-04-3R314 | 5905-14-235-9484 | 1 |
| RC2T1K2J | F0114 | 2-2-04-3R326 | 5905-14-235-9484 | 1 |
| RC2T1K2J | F0114 | 2-2-04-3R327 | 5905-14-235-9484 | 1 |
| RC2T1K2J | F0114 | 2-2-04-3R332 | 5905-14-235-9484 | 1 |
| RC2T1K2J | F0114 | 2-2-04-3R333 | 5905-14-235-9484 | 1 |
| RC2T1K2J | F0114 | 2-2-09 R24 | 5905-14-235-9484 | 1 |

| MANUFACTURER'S PART NUMBER | VENDOR CODE | DRAWING INTEM | NATO CODE | Qty |
|-------------------------------|----------------|---------------|------------------|-----|
| RC2T1K2J | F0114 | 2-2-09 R51 | 5905-14-235-9484 | 1 |
| RC2T1K2J | F0114 | 2-2-09 R52 | 5905-14-235-9484 | 1 |
| RC2T1K21G | F0114 | 2-2-05 R12 | 5905-14- | 1 |
| RC2T1K5J | F0114 | 2-2-01-2R15 | 5905-14-235-9487 | 1 |
| RC2T1K5J | F0114 | 2-2-01-2R22 | 5905-14-235-9487 | 1 |
| RC2T1K5J | F0114 | 2-2-01-2R23 | 5905-14-235-9487 | 1 |
| RC2T1K5J | F0114 | 2-2-01-2R37 | 5905-14-235-9487 | 1 |
| RC2T1K5J | F0114 | 2-2-04-2R213 | 5905-14-235-9487 | 1 |
| RC2T1K5J | F0114 | 2-2-04-3R312 | 5905-14-235-9487 | 1 |
| RC2T1K5J | F0114 | 2-2-06 R41 | 5905-14-235-9487 | 1 |
| RC2T1K5J | F0114 | 2-2-08 R12 | 5905-14-235-9487 | 1 |
| RC2T1K5J | F0114 | 2-2-11 R7 | 5905-14-235-9487 | 1 |
| RC2T1K5J | F0114 | 2-2-11 R91 | 5905-14-235-9487 | 1 |
| RC2T1K5J | F0114 | 2-2-12 R52 | 5905-14-235-9487 | 1 |
| RC2T1K5J | F0114 | 2-2-12 R55 | 5905-14-235-9487 | 1 |
| RC2T1K5J | F0114 | 2-2-12 R74 | 5905-14-235-9487 | 1 |
| RC2T1K5J | F0114 | 2-2-12 R77 | 5905-14-235-9487 | 1 |
| RC2T1K5J | F0114 | 2-2-12 R94 | 5905-14-235-9487 | 1 |
| RC2T1K5J | F0114 | 2-2-13-2R75 | 5905-14-235-9487 | 1 |
| RC2T1K54G | F0114 | 2-2-05 R15 | 5905-14- | 1 |
| RC2T1K6J | F0114 | 2-2-10 R51 | 5905-14-238-7104 | 1 |
| RC2T1K6J | F0114 | 2-2-10 R52 | 5905-14-238-7104 | 1 |
| RC2T1K8J | F0114 | 2-2-03-1R6 | 5905-14-235-9490 | 1 |
| RC2T1K8J | F0114 | 2-2-03-1R25 | 5905-14-235-9490 | 1 |
| RC2T1K8J | F0114 | 2-2-04-2R211 | 5905-14-235-9490 | 1 |
| RC2T1K8J | F0114 | 2-2-11 R33 | 5905-14-235-9490 | 1 |
| RC2T1K8J | F0114 | 2-2-12 R35 | 5905-14-235-9490 | 1 |
| RC2T1K96G | F0114 | 2-2-05 R13 | 5905-14- | 1 |
| RC2T10KJ | F0114 | 2-2-04-2R203 | 5905-14-232-9453 | 1 |
| RC2T10KJ | F0114 | 2-2-04-2R212 | 5905-14-232-9453 | 1 |
| RC2T10KJ | F0114 | 2-2-04-2R261 | 5905-14-232-9453 | 1 |
| RC2T10KJ | F0114 | 2-2-05 R4 | 5905-14-232-9453 | 1 |
| RC2T10KJ | F0114 | 2-2-06 R12 | 5905-14-232-9453 | 1 |
| RC2T10KJ | F0114 | 2-2-06 R22 | 5905-14-232-9453 | 1 |
| RC2T10KJ | F0114 | 2-2-06 R55 | 5905-14-232-9453 | 1 |
| RC2T10KJ | F0114 | 2-2-07 R27 | 5905-14-232-9453 | 1 |
| RC2T10KJ | F0114 | 2-2-09 R12 | 5905-14-232-9453 | 1 |
| RC2T10KJ | F0114 | 2-2-09 R72 | 5905-14-232-9453 | 1 |
| RC2T10KJ | F0114 | 2-2-10 R15 | 5905-14-232-9453 | 1 |
| RC2T10KJ | F0114 | 2-2-10 R17 | 5905-14-232-9453 | 1 |
| RC2T10KJ | F0114 | 2-2-10 R21 | 5905-14-232-9453 | 1 |
| RC2T10KJ | F0114 | 2-2-10 R23 | 5905-14-232-9453 | 1 |
| RC2T10KJ | F0114 | 2-2-10 R27 | 5905-14-232-9453 | 1 |
| RC2T10KJ | F0114 | 2-2-10 R34 | 5905-14-232-9453 | 1 |
| RC2T10KJ | F0114 | 2-2-10 R61 | 5905-14-232-9453 | 1 |
| RC2T10KJ | F0114 | 2-2-10 R77 | 5905-14-232-9453 | 1 |
| RC2T10KJ | F0114 | 2-2-10 R82 | 5905-14-232-9453 | 1 |
| RC2T10KJ | F0114 | 2-2-10 R111 | 5905-14-232-9453 | 1 |
| RC2T10KJ | F0114 | 2-2-11 R18 | 5905-14-232-9453 | 1 |
| RC2T10KJ | F0114 | 2-2-11 R21 | 5905-14-232-9453 | 1 |
| RC2T10KJ | F0114 | 2-2-11 R23 | 5905-14-232-9453 | 1 |
| RC2T10KJ | F0114 | 2-2-11 R24 | 5905-14-232-9453 | 1 |
| RC2T10KJ | F0114 | 2-2-11 R27 | 5905-14-232-9453 | 1 |

| MANUFACTURER'S PART NUMBER | VENDOR CODE | DRAWING INTEM | NATO CODE | Qty |
|-------------------------------|----------------|---------------|------------------|-----|
| RC2T10KJ | F0114 | 2-2-11 R36 | 5905-14-232-9453 | 1 |
| RC2T10KJ | F0114 | 2-2-11 R55 | 5905-14-232-9453 | 1 |
| RC2T10KJ | F0114 | 2-2-11 R77 | 5905-14-232-9453 | 1 |
| RC2T10KJ | F0114 | 2-2-11 R112 | 5905-14-232-9453 | 1 |
| RC2T10KJ | FD114 | 2-2-11 R122 | 5910-14-232-9453 | 1 |
| RC2T10KJ | F0114 | 2-2-12 R3 | 5905-14-232-9453 | 1 |
| RC2T10KJ | F0114 | 2-2-12 R6 | 5905-14-232-9453 | 1 |
| RC2T10KJ | F0114 | 2-2-12 R26 | 5905-14-232-9453 | 1 |
| RC2T10KJ | F0114 | 2-2-12 R27 | 5905-14-232-9453 | 1 |
| RC2T10KJ | F0114 | 2-2-12 R38 | 5905-14-232-9453 | 1 |
| RC2T10KJ | F0114 | 2-2-13-1R92 | 5905-14-232-9453 | 1 |
| RC2T10KJ | F0114 | 2-2-13-1R95 | 5905-14-232-9453 | 1 |
| RC2T10KJ | F0114 | 2-4-01 R11 | 5905-14-232-9453 | 1 |
| RC2T10UJ | F0114 | 2-2-01-2R40 | 5905-14-040-0402 | 1 |
| RC2T10UJ | F0114 | 2-2-02-2R103 | 5905-14-040-0402 | 1 |
| RC2T10UJ | F0114 | 2-2-04-4R427 | 5905-14-040-0402 | 1 |
| RC2T10UJ | F0114 | 2-2-10 R7 | 5905-14-040-0402 | 1 |
| RC2T10UJ | F0114 | 2-2-10 R22 | 5905-14-040-0402 | 1 |
| RC2T10UJ | F0114 | 2-2-11 R6 | 5905-14-040-0402 | 1 |
| RC2T10UJ | F0114 | 2-4-01 R2 | 5905-14-040-0402 | 1 |
| RC2T100UJ | F0114 | 2-2-04-2R233 | 5905-14-235-9481 | 1 |
| RC2T100KJ | F0114 | 2-2-02 R2 | 5905-14-235-9483 | 1 |
| RC2T100KJ | F0114 | 2-2-02-2R102 | 5905-14-235-9483 | 1 |
| RC2T100KJ | F0114 | 2-2-06 R1 | 5905-14-235-9483 | 1 |
| RC2T100KJ | F0114 | 2-2-09 R45 | 5905-14-235-9483 | 1 |
| RC2T100KJ | F0114 | 2-2-10 R48 | 5905-14-235-9483 | 1 |
| RC2T100KJ | F0114 | 2-2-10 R92 | 5905-14-235-9483 | 1 |
| RC2T100KJ | F0114 | 2-2-10 R105 | 5905-14-235-9483 | 1 |
| RC2T100KJ | F0114 | 2-2-10 R112 | 5905-14-235-9483 | 1 |
| RC2T100KJ | F0114 | 2-2-10 R113 | 5905-14-235-9483 | 1 |
| RC2T100KJ | F0114 | 2-2-10 R114 | 5905-14-235-9483 | 1 |
| RC2T100KJ | F0114 | 2-2-11 R11 | 5905-14-235-9483 | 1 |
| RC2T100KJ | F0114 | 2-2-11 R14 | 5905-14-235-9483 | 1 |
| RC2T100KJ | F0114 | 2-2-11 R25 | 5905-14-235-9483 | 1 |
| RC2T100KJ | F0114 | 2-2-11 R81 | 5905-14-235-9483 | 1 |
| RC2T100KJ | F0114 | 2-2-11 R96 | 5905-14-235-9483 | 1 |
| RC2T100KJ | F0114 | 2-2-11 R101 | 5905-14-235-9483 | 1 |
| RC2T100KJ | F0114 | 2-2-12 R2 | 5905-14-235-9483 | 1 |
| RC2T100KJ | F0114 | 2-2-12 R5 | 5905-14-235-9483 | 1 |
| RC2T100KJ | F0114 | 2-2-12 R16 | 5905-14-235-9483 | 1 |
| RC2T100KJ | F0114 | 2-2-12 R23 | 5905-14-235-9483 | 1 |
| RC2T100KJ | F0114 | 2-2-12 R25 | 5905-14-235-9483 | 1 |
| RC2T100KJ | F0114 | 2-2-12 R63 | 5905-14-235-9483 | 1 |
| RC2T100KJ | F0114 | 2-2-12 R67 | 5905-14-235-9483 | 1 |
| RC2T100UJ | F0114 | 2-2-01-2R16 | 5905-14-235-9481 | 1 |
| RC2T100UJ | F0114 | 2-2-01-2R17 | 5905-14-235-9481 | 1 |
| RC2T100UJ | F0114 | 2-2-03-1R2 | 5905-14-235-9481 | 1 |
| RC2T100UJ | F0114 | 2-2-03-1R7 | 5905-14-235-9481 | 1 |
| RC2T100UJ | F0114 | 2-2-03-1R12 | 5905-14-235-9481 | 1 |
| RC2T100UJ | F0114 | 2-2-04-2R251 | 5905-14-235-9481 | 1 |
| RC2T100UJ | F0114 | 2-2-04-2R252 | 5905-14-235-9481 | 1 |
| RC2T100UJ | F0114 | 2-2-04-2R254 | 5905-14-235-9481 | 1 |
| RC2T100UJ | F0114 | 2-2-04-2R255 | 5905-14-235-9481 | 1 |

| MANUFACTURER'S PART NUMBER | VENDOR CODE | DRAWING ITEM | NATO CODE | Qty |
|-------------------------------|----------------|--------------|------------------|-----|
| RC2T100UJ | F0114 | 2-2-04-2R256 | 5905-14-235-9481 | 1 |
| RC2T100UJ | F0114 | 2-2-04-2R257 | 5905-14-235-9481 | 1 |
| RC2T100UJ | F0114 | 2-2-04-2R265 | 5905-14-235-9481 | 1 |
| RC2T100UJ | F0114 | 2-2-04-3R301 | 5905-14-235-9481 | 1 |
| RC2T100UJ | F0114 | 2-2-04-3R322 | 5905-14-235-9481 | 1 |
| RC2T100UJ | F0114 | 2-2-04-3R323 | 5905-14-235-9481 | 1 |
| RC2T100UJ | F0114 | 2-2-04-3R324 | 5905-14-235-9481 | 1 |
| RC2T100UJ | F0114 | 2-2-04-3R325 | 5905-14-235-9481 | 1 |
| RC2T100UJ | F0114 | 2-2-04-3R331 | 5905-14-235-9481 | 1 |
| RC2T100UJ | F0114 | 2-2-08 R1 | 5905-14-235-9481 | 1 |
| RC2T100UJ | F0114 | 2-2-08 R2 | 5905-14-235-9481 | 1 |
| RC2T100UJ | F0114 | 2-2-08 R3 | 5905-14-235-9481 | 1 |
| RC2T100UJ | F0114 | 2-2-08 R5 | 5905-14-235-9481 | 1 |
| RC2T100UJ | F0114 | 2-2-09 R36 | 5905-14-235-9481 | 1 |
| RC2T100UJ | F0114 | 2-2-09 R82 | 5905-14-235-9481 | 1 |
| RC2T100UJ | F0114 | 2-2-10 R1 | 5905-14-235-9481 | 1 |
| RC2T100UJ | F0114 | 2-2-10 R65 | 5905-14-235-9481 | 1 |
| RC2T100UJ | F0114 | 2-2-10 R83 | 5905-14-235-9481 | 1 |
| RC2T100UJ | F0114 | 2-2-11 R42 | 5905-14-235-9481 | 1 |
| RC2T100UJ | F0114 | 2-2-11 R46 | 5905-14-235-9481 | 1 |
| RC2T100UJ | F0114 | 2-2-11 R61 | 5905-14-235-9481 | 1 |
| RC2T100UJ | F0114 | 2-2-11 R62 | 5905-14-235-9481 | 1 |
| RC2T100UJ | F0114 | 2-2-11 R73 | 5905-14-235-9481 | 1 |
| RC2T100UJ | F0114 | 2-2-11 R87 | 5905-14-235-9481 | 1 |
| RC2T100UJ | F0114 | 2-2-11 R103 | 5905-14-235-9481 | 1 |
| RC2T12KJ | F0114 | 2-2-01-2R6 | 5905-14-235-9485 | 1 |
| RC2T12KJ | F0114 | 2-2-04-4R403 | 5905-14-235-9485 | 1 |
| RC2T12KJ | F0114 | 2-2-05 R6 | 5905-14-235-9485 | 1 |
| RC2T12KJ | F0114 | 2-2-09 R7 | 5905-14-235-9485 | 1 |
| RC2T12KJ | F0114 | 2-2-09 R13 | 5905-14-235-9485 | 1 |
| RC2T12KJ | F0114 | 2-2-11 R71 | 5905-14-235-9485 | 1 |
| RC2T12KJ | F0114 | 2-2-11 R85 | 5905-14-235-9485 | 1 |
| RC2T12KJ | F0114 | 2-2-11 R114 | 5905-14-235-9485 | 1 |
| RC2T12KJ | F0114 | 2-2-12 R31 | 5905-14-235-9485 | 1 |
| RC2T12KJ | F0114 | 2-2-12 R33 | 5905-14-235-9485 | 1 |
| RC2T120KJ | F0114 | 2-2-01-2R39 | 5905-14-235-9358 | 1 |
| RC2T120UJ | F0114 | 2-2-06 R17 | 5905-14-242-5343 | 1 |
| RC2T120UJ | F0114 | 2-2-06 R47 | 5905-14-242-5343 | 1 |
| RC2T120UJ | F0114 | 2-2-12 R32 | 5905-14-242-5343 | 1 |
| RC2T15KJ | F0114 | 2-2-05 R2 | 5905-14-235-9488 | 1 |
| RC2T15KJ | F0114 | 2-2-05 R10 | 5905-14-235-9488 | 1 |
| RC2T15KJ | F0114 | 2-2-06 R21 | 5905-14-235-9988 | 1 |
| RC2T15KJ | F0114 | 2-2-06 R23 | 5905-14-235-9988 | 1 |
| RC2T15KJ | F0114 | 2-2-06 R24 | 5905-14-235-9988 | 1 |
| RC2T15KJ | F0114 | 2-2-06 R32 | 5905-14-235-9988 | 1 |
| RC2T15KJ | F0114 | 2-2-06 R33 | 5905-14-235-9988 | 1 |
| RC2T15KJ | F0114 | 2-2-06 R34 | 5905-14-235-9988 | 1 |
| RC2T15KJ | F0114 | 2-2-06 R37 | 5905-14-235-9988 | 1 |
| RC2T15KJ | F0114 | 2-2-08 R4 | 5905-14-235-9988 | 1 |
| RC2T15KJ | F0114 | 2-2-09 R26 | 5905-14-235-9988 | 1 |
| RC2T15KJ | F0114 | 2-2-10 R46 | 5905-14-235-9988 | 1 |
| RC2T15KJ | F0114 | 2-2-11 R1 | 5905-14-235-9988 | 1 |
| RC2T15KJ | F0114 | 2-2-11 R72 | 5905-14-235-9988 | 1 |

| MANUFACTURER'S PART NUMBER | VENDOR CODE | DRAWING ITEM | NATO CODE | Qty |
|-------------------------------|----------------|--------------|------------------|-----|
| RC2T150UJ | F0114 | 2-2-04-2R222 | 5905-14-235-9486 | 1 |
| RC2T150UJ | F0114 | 2-2-04-4R424 | 5905-14-235-9486 | 1 |
| RC2T150UJ | F0114 | 2-2-06 R57 | 5905-14-235-9486 | 1 |
| RC2T150UJ | F0114 | 2-2-13-1R88 | 5905-14-235-9486 | 1 |
| RC2T18KJ | F0114 | 2-2-04-4R412 | 5905-14-235-9491 | 1 |
| RC2T18KJ | F0114 | 2-2-06 R13 | 5905-14-235-9491 | 1 |
| RC2T18KJ | F0114 | 2-2-06 R25 | 5905-14-235-9491 | 1 |
| RC2T18KJ | F0114 | 2-2-06 R27 | 5905-14-235-9491 | 1 |
| RC2T18KJ | F0114 | 2-2-06 R31 | 5905-14-235-9491 | 1 |
| RC2T18KJ | F0114 | 2-2-09 R93 | 5905-14-235-9491 | 1 |
| RC2T18KJ | F0114 | 2-2-10 R102 | 5905-14-235-9491 | 1 |
| RC2T18KJ | F0114 | 2-2-11 R74 | 5905-14-235-9491 | 1 |
| RC2T180UJ | F0114 | 2-2-04-2R263 | 5905-14-232-9436 | 1 |
| RC2T180UJ | F0114 | 2-2-10 R6 | 5905-14-232-9436 | 1 |
| RC2T180UJ | F0114 | 2-2-10 R42 | 5905-14-232-9436 | 1 |
| RC2T180UJ | F0114 | 2-4-01 R3 | 5905-14-232-9436 | 1 |
| RC2T2K2J | F0114 | 2-2-04-3R306 | 5905-14-235-9195 | 1 |
| RC2T2K2J | F0114 | 2-2-04-3R307 | 5905-14-235-9195 | 1 |
| RC2T2K2J | F0114 | 2-2-06 R5 | 5905-14-235-9195 | 1 |
| RC2T2K2J | F0114 | 2-2-06 R11 | 5905-14-235-9195 | 1 |
| RC2T2K2J | F0114 | 2-2-06 R15 | 5905-14-235-9195 | 1 |
| RC2T2K2J | F0114 | 2-2-09 R1 | 5905-14-235-9195 | 1 |
| RC2T2K2J | F0114 | 2-2-09 R17 | 5905-14-235-9195 | 1 |
| RC2T2K2J | F0114 | 2-2-09 R60 | 5905-14-235-9195 | 1 |
| RC2T2K2J | F0114 | 2-2-09 R87 | 5905-14-235-9195 | 1 |
| RC2T2K2J | F0114 | 2-2-10 R5 | 5905-14-235-9195 | 1 |
| RC2T2K2J | F0114 | 2-2-10 R32 | 5905-14-235-9195 | 1 |
| RC2T2K2J | F0114 | 2-2-11 R12 | 5905-14-235-9195 | 1 |
| RC2T2K2J | F0114 | 2-2-11 R97 | 5905-14-235-9195 | 1 |
| RC2T2K2J | F0114 | 2-2-13-2R21 | 5905-14-235-9195 | 1 |
| RC2T2K7J | F0114 | 2-2-01-2R12 | 5905-14-235-9197 | 1 |
| RC2T2K7J | F0114 | 2-2-01-2R13 | 5905-14-235-9197 | 1 |
| RC2T2K7J | F0114 | 2-2-03-1R4 | 5905-14-235-9197 | 1 |
| RC2T2K7J | F0114 | 2-2-04-2R207 | 5905-14-235-9197 | 1 |
| RC2T2K7J | F0114 | 2-2-09 R25 | 5905-14-235-9197 | 1 |
| RC2T2K7J | F0114 | 2-2-11 R93 | 5905-14-235-9197 | 1 |
| RC2T2K7J | F0114 | 2-2-12 R15 | 5905-14-235-9197 | 1 |
| RC2T2K7J | F0114 | 2-2-13-2R4 | 5905-14-235-9197 | 1 |
| RC2T2K7J | F0114 | 2-2-13-2R83 | 5905-14-235-9197 | 1 |
| RC2T22KJ | F0114 | 2-2-05 R5 | 5905-14-235-9494 | 1 |
| RC2T22KJ | F0114 | 2-2-06 R53 | 5905-14-235-9494 | 1 |
| RC2T22KJ | F0114 | 2-2-09 R16 | 5905-14-235-9494 | 1 |
| RC2T22KJ | F0114 | 2-2-10 R24 | 5905-14-235-9494 | 1 |
| RC2T22KJ | F0114 | 2-2-10 R26 | 5905-14-235-9494 | 1 |
| RC2T22KJ | F0114 | 2-2-10 R57 | 5905-14-235-9494 | 1 |
| RC2T22KJ | F0114 | 2-2-10 R84 | 5905-14-235-9494 | 1 |
| RC2T22KJ | F0114 | 2-2-10 R93 | 5905-14-235-9494 | 1 |
| RC2T22KJ | F0114 | 2-2-11 R5 | 5905-14-235-9494 | 1 |
| RC2T22KJ | F0114 | 2-2-11 R51 | 5905-14-235-9494 | 1 |
| RC2T22KJ | F0114 | 2-2-11 R52 | 5905-14-235-9494 | 1 |
| RC2T22KJ | F0114 | 2-2-11 R53 | 5905-14-235-9494 | 1 |
| RC2T22KJ | F0114 | 2-2-11 R56 | 5905-14-235-9494 | 1 |
| RC2T22KJ | F0114 | 2-2-11 R63 | 5905-14-235-9494 | 1 |

| MANUFACTURER'S PART NUMBER | VENDOR CODE | DRAWING ITEM | NATO CODE | Qty |
|-------------------------------|----------------|--------------|------------------|-----|
| RC2T22KJ | F0114 | 2-2-11 R104 | 5905-14-235-9494 | 1 |
| RC2T22KJ | F0114 | 2-2-11 R105 | 5905-14-235-9494 | 1 |
| RC2T22KJ | F0114 | 2-2-13-2R99 | 5905-14-235-9494 | 1 |
| RC2T22UJ | F0114 | 2-2-03-1R5 | 5905-14-235-9493 | 1 |
| RC2T22UJ | F0114 | 2-2-03-1R23 | 5905-14-235-9493 | 1 |
| RC2T22UJ | F0114 | 2-2-03-1R24 | 5905-14-235-9493 | 1 |
| RC2T22UJ | F0114 | 2-2-11 R2 | 5905-14-235-9493 | 1 |
| RC2T22UJ | F0114 | 2-2-12 R34 | 5905-14-235-9493 | 1 |
| RC2T22UJ | F0114 | 2-2-13-2R14 | 5905-14-235-9493 | 1 |
| RC2T22UJ | F0114 | 2-2-13-2R15 | 5905-14-235-9493 | 1 |
| RC2T22UJ | F0114 | 2-2-13-2R16 | 5905-14-235-9493 | 1 |
| RC2T22UJ | F0114 | 2-2-13-2R17 | 5905-14-235-9493 | 1 |
| RC2T22UJ | F0114 | 2-2-13-2R18 | 5905-14-235-9493 | 1 |
| RC2T22UJ | F0114 | 2-2-13-2R19 | 5905-14-235-9493 | 1 |
| RC2T22OKJ | F0114 | 2-2-04-4R417 | 5905-14-246-8758 | 1 |
| RC2T22OKJ | F0114 | 2-2-05 R1 | 5905-14-246-8758 | 1 |
| RC2T22OKJ | F0114 | 2-2-10 R16 | 5905-14-246-8758 | 1 |
| RC2T22OKJ | F0114 | 2-2-12 R65 | 5905-14-246-8758 | 1 |
| RC2T22OKJ | F0114 | 2-2-12 R75 | 5905-14-246-8758 | 1 |
| RC2T22OUJ | F0114 | 2-2-01-2R42 | 5905-14-232-9431 | 1 |
| RC2T22OUJ | F0114 | 2-2-08 R15 | 5910-14-232-9431 | 1 |
| RC2T22OUJ | F0114 | 2-2-09 R31 | 5905-14-232-9431 | 1 |
| RC2T22OUJ | F0114 | 2-2-10 R33 | 5905-14-232-9431 | 1 |
| RC2T22OUJ | F0114 | 2-2-10 R55 | 5905-14-232-9431 | 1 |
| RC2T22OUJ | F0114 | 2-2-11 R92 | 5905-14-232-9431 | 1 |
| RC2T22OUJ | F0114 | 2-2-11 R113 | 5905-14-232-9471 | 1 |
| RC2T22OUJ | F0114 | 2-2-12 R81 | 5905-14-232-9431 | 1 |
| RC2T22OUJ | F0114 | 2-2-12 R82 | 5905-14-232-9431 | 1 |
| RC2T27KJ | F0114 | 2-2-04-2R217 | 5905-14-238-7103 | 1 |
| RC2T27KJ | F0114 | 2-2-04-2R235 | 5905-14-238-7103 | 1 |
| RC2T27KJ | F0114 | 2-2-05 R3 | 5905-14-238-7103 | 1 |
| RC2T27KJ | F0114 | 2-2-09 R33 | 5905-14-238-7103 | 1 |
| RC2T27KJ | F0114 | 2-2-09 R42 | 5905-14-238-7103 | 1 |
| RC2T27KJ | F0114 | 2-2-09 R92 | 5905-14-238-7103 | 1 |
| RC2T27KJ | F0114 | 2-2-10 R87 | 5905-14-238-7103 | 1 |
| RC2T27KJ | F0114 | 2-2-10 R91 | 5905-14-238-7103 | 1 |
| RC2T27KJ | F0114 | 2-2-10 R104 | 5905-14-238-7103 | 1 |
| RC2T27KJ | F0114 | 2-2-11 R4 | 5905-14-238-7103 | 1 |
| RC2T27KJ | F0114 | 2-2-12 R12 | 5905-14-238-7103 | 1 |
| RC2T27KJ | F0114 | 2-2-12 R87 | 5905-14-235-7103 | 1 |
| RC2T27UJ | F0114 | 2-2-04-2R260 | 5905-14-268-1720 | 1 |
| RC2T27UJ | F0114 | 2-2-04-2R266 | 5905-14-268-1720 | 1 |
| RC2T27UJ | F0114 | 2-2-04-3R302 | 5905-14-268-1720 | 1 |
| RC2T27UJ | F0114 | 2-2-04-3R303 | 5905-14-268-1720 | 1 |
| RC2T27UJ | F0114 | 2-2-10 R72 | 5905-14-268-1720 | 1 |
| RC2T27UJ | F0114 | 2-2-13-2R33 | 5905-14-268-1720 | 1 |
| RC2T27UJ | F0114 | 2-2-13-2R34 | 5905-14-268-1720 | 1 |
| RC2T27UJ | F0114 | 2-2-13-2R35 | 5905-14-268-1720 | 1 |
| RC2T27UJ | F0114 | 2-2-13-2R36 | 5905-14-268-1720 | 1 |
| RC2T27OUJ | F0114 | 2-2-06 R46 | 5905-14-228-0790 | 1 |
| RC2T27OUJ | F0114 | 2-4-01 R5 | 5905-14-228-0790 | 1 |
| RC2T3K3J | F0114 | 2-2-03-1R22 | 5905-14-235-9199 | 1 |

| MANUFACTURER'S PART NUMBER | VENDOR CODE | DRAWING ITEM | NATO CODE | Qty |
|-------------------------------|----------------|--------------|------------------|-----|
| RC2T3K3J | F0114 | 2-2-04-2R201 | 5905-14-235-9199 | 1 |
| RC2T3K3J | F0114 | 2-2-04-2R202 | 5905-14-235-9199 | 1 |
| RC2T3K3J | F0114 | 2-2-04-2R205 | 5905-14-235-9199 | 1 |
| RC2T3K3J | F0114 | 2-2-04-2R206 | 5905-14-235-9199 | 1 |
| RC2T3K3J | F0114 | 2-2-04-2R215 | 5905-14-235-9199 | 1 |
| RC2T3K3J | F0114 | 2-2-04-2R225 | 5905-14-235-9199 | 1 |
| RC2T3K3J | F0114 | 2-2-04-2R237 | 5905-14-235-9199 | 1 |
| RC2T3K3J | F0114 | 2-2-04-2R241 | 5905-14-235-9199 | 1 |
| RC2T3K3J | F0114 | 2-2-04-2R244 | 5905-14-235-9199 | 1 |
| RC2T3K3J | F0114 | 2-2-04-2R245 | 5905-14-235-9199 | 1 |
| RC2T3K3J | F0114 | 2-2-04-4R425 | 5905-14-235-9199 | 1 |
| RC2T3K3J | F0114 | 2-2-06 R54 | 5905-14-235-9199 | 1 |
| RC2T3K3J | F0114 | 2-2-08 R11 | 5905-14-235-9199 | 1 |
| RC2T3K3J | F0114 | 2-2-09 R3 | 5905-14-235-9199 | 1 |
| RC2T3K3J | F0114 | 2-2-09 R57 | 5905-14-235-9199 | 1 |
| RC2T3K3J | F0114 | 2-2-09 R86 | 5905-14-235-9199 | 1 |
| RC2T3K3J | F0114 | 2-2-10 R13 | 5905-14-235-9199 | 1 |
| RC2T3K3J | F0114 | 2-2-10 R28 | 5905-14-235-9199 | 1 |
| RC2T3K3J | F0114 | 2-2-11 R29 | 5905-14-235-9199 | 1 |
| RC2T3K3J | F0114 | 2-2-11 R31 | 5905-14-235-9199 | 1 |
| RC2T3K3J | F0114 | 2-2-11 R34 | 5905-14-235-9199 | 1 |
| RC2T3K3J | F0114 | 2-2-11 R45 | 5905-14-235-9199 | 1 |
| RC2T3K3J | F0114 | 2-2-13-2R81 | 5905-14-235-9199 | 1 |
| RC2T3K32G | F0114 | 2-2-05 R14 | 5905-14- | 1 |
| RC2T3K9J | F0114 | 2-2-04-2R223 | 5905-14-235-9501 | 1 |
| RC2T3K9J | F0114 | 2-2-04-2R246 | 5905-14-235-9501 | 1 |
| RC2T3K9J | F0114 | 2-2-04-4R415 | 5905-14-235-9501 | 1 |
| RC2T3K9J | F0114 | 2-2-11 R108 | 5905-14-235-9501 | 1 |
| RC2T3K9J | F0114 | 2-2-12 R93 | 5905-14-235-9501 | 1 |
| RC2T3K9J | F0114 | 2-2-12 R95 | 5905-14-235-9501 | 1 |
| RC2T3K9J | F0114 | 2-2-13-2R2 | 5905-14-235-9501 | 1 |
| RC2T3K9J | F0114 | 2-2-13-2R98 | 5905-14-235-9501 | 1 |
| RC2T300UJ | F0114 | 2-2-04-2R232 | 5905-14-228-8073 | 1 |
| RC2T33KJ | F0114 | 2-2-02-2R101 | 5905-14-235-9498 | 1 |
| RC2T33KJ | F0114 | 2-2-06 R2 | 5905-14-235-9498 | 1 |
| RC2T33KJ | F0114 | 2-2-06 R52 | 5905-14-235-9498 | 1 |
| RC2T33KJ | F0114 | 2-2-10 R66 | 5905-14-235-9498 | 1 |
| RC2T33KJ | F0114 | 2-2-10 R97 | 5905-14-235-9498 | 1 |
| RC2T33UJ | F0114 | 2-2-04-2R224 | 5305-14-231-7524 | 1 |
| RC2T330UJ | F0114 | 2-2-02-1R6 | 5905-14-235-9497 | 1 |
| RC2T330UJ | F0114 | 2-2-08 R13 | 5905-14-235-9497 | 1 |
| RC2T330UJ | F0114 | 2-2-10 R75 | 5905-14-235-9497 | 1 |
| RC2T330UJ | F0114 | 2-2-11 R17 | 5905-14-235-9497 | 1 |
| RC2T330UJ | F0114 | 2-2-11 R54 | 5905-14-235-9497 | 1 |
| RC2T330UJ | F0114 | 2-2-11 R65 | 5905-14-235-9497 | 1 |
| RC2T330UJ | F0114 | 2-2-11 R66 | 5905-14-235-9497 | 1 |
| RC2T330UJ | F0114 | 2-4-01 R7 | 5905-14-235-9497 | 1 |
| RC2T36KJ | F0114 | 2-2-11 R121 | 5910-14-235-9500 | 1 |
| RC2T39KJ | F0114 | 2-2-04-4R414 | 5905-14-291-7879 | 1 |
| RC2T39KJ | F0114 | 2-2-09 R34 | 5905-14-238-7101 | 1 |
| RC2T39KJ | F0114 | 2-2-09 R41 | 5905-14-238-7101 | 1 |
| RC2T39KJ | F0114 | 2-2-13-2R43 | 5905-14-238-7101 | 1 |
| RC2T39UJ | F0114 | 2-2-04-2R253 | 5905-14-268-1714 | 1 |

| MANUFACTURER'S PART NUMBER | VENDOR CODE | DRAWING ITEM | NATO CODE | Qty |
|-------------------------------|----------------|--------------|------------------|-----|
| RC2T390UJ | F0114 | 2-2-04-4R426 | 5905-14-231-7525 | 1 |
| RC2T4K22G | F0114 | 2-2-10 R85 | 5905-14- | 1 |
| RC2T4K7J | F0114 | 2-2-01-1R302 | 5905-14-235-9506 | 1 |
| RC2T4K7J | F0114 | 2-2-01-2R3 | 5905-14-235-9506 | 1 |
| RC2T4K7J | F0114 | 2-2-01-2R8 | 5905-14-235-9506 | 1 |
| RC2T4K7J | F0114 | 2-2-03-1R11 | 5905-14-235-9506 | 1 |
| RC2T4K7J | F0114 | 2-2-06 R6 | 5905-14-235-9506 | 1 |
| RC2T4K7J | F0114 | 2-2-06 R42 | 5905-14-235-9506 | 1 |
| RC2T4K7J | F0114 | 2-2-06 R43 | 5905-14-235-9506 | 1 |
| RC2T4K7J | F0114 | 2-2-10 R31 | 5905-14-235-9506 | 1 |
| RC2T4K7J | F0114 | 2-2-10 R53 | 5905-14-235-9506 | 1 |
| RC2T4K7J | F0114 | 2-2-10 R62 | 5905-14-235-9406 | 1 |
| RC2T4K7J | F0114 | 2-2-10 R103 | 5905-14-235-9506 | 1 |
| RC2T4K7J | F0114 | 2-2-11 R86 | 5905-14-235-9506 | 1 |
| RC2T4K7J | F0114 | 2-2-12 R14 | 5905-14-235-9506 | 1 |
| RC2T4K7J | F0114 | 2-2-12 R21 | 5905-14-235-9506 | 1 |
| RC2T4K7J | F0114 | 2-2-13-2R31 | 5905-14-235-9506 | 1 |
| RC2T4K7J | F0114 | 2-2-13-2R76 | 5905-14-235-9506 | 1 |
| RC2T4K7J | F0114 | 2-2-13-2R77 | 5905-14-235-9506 | 1 |
| RC2T47KJ | F0114 | 2-2-04-2R204 | 5905-14-235-9507 | 1 |
| RC2T47KJ | F0114 | 2-2-04-4R416 | 5905-14-235-9507 | 1 |
| RC2T47KJ | F0114 | 2-2-10 R76 | 5905-14-235-9507 | 1 |
| RC2T47KJ | F0114 | 2-2-11 R3 | 5905-14-235-9507 | 1 |
| RC2T47KJ | F0114 | 2-2-11 R8 | 5905-14-235-9507 | 1 |
| RC2T47KJ | F0114 | 2-2-11 R117 | 5910-14-235-9507 | 1 |
| RC2T47KJ | F0114 | 2-2-12 R7 | 5905-14-235-9507 | 1 |
| RC2T47KJ | F0114 | 2-2-13-2R74 | 5905-14-235-9507 | 1 |
| RC2T47UJ | F0114 | 2-2-01-1R301 | 5905-14-235-9504 | 1 |
| RC2T47UJ | F0114 | 2-2-04-4R408 | 5905-14-235-9504 | 1 |
| RC2T47UJ | F0114 | 2-2-04-4R421 | 5905-14-235-9504 | 1 |
| RC2T47UJ | F0114 | 2-2-09 R62 | 5905-14-235-9504 | 1 |
| RC2T47UJ | F0114 | 2-2-09 R74 | 5905-14-235-9504 | 1 |
| RC2T47UJ | F0114 | 2-2-11 R102 | 5905-14-235-9504 | 1 |
| RC2T47UJ | F0114 | 2-2-11 R107 | 5905-14-235-9504 | 1 |
| RC2T47UJ | F0114 | 2-2-13-2R41 | 5905-14-235-9504 | 1 |
| RC2T47UJ | F0114 | 2-2-13-2R44 | 5905-14-235-9504 | 1 |
| RC2T47UJ | F0114 | 2-2-13-2R45 | 5905-14-235-9504 | 1 |
| RC2T470UJ | F0114 | 2-2-03-1R13 | 5905-14-235-9505 | 1 |
| RC2T470UJ | F0114 | 2-2-03-1R14 | 5905-14-235-9505 | 1 |
| RC2T470UJ | F0114 | 2-2-06 R51 | 5905-14-235-9505 | 1 |
| RC2T470UJ | F0114 | 2-2-09 R55 | 5905-14-235-9505 | 1 |
| RC2T470UJ | F0114 | 2-2-13-2R6 | 5905-14-235-9505 | 1 |
| RC2T470UJ | F0114 | 2-2-13-2R7 | 5905-14-235-9505 | 1 |
| RC2T470UJ | F0114 | 2-2-13-2R54 | 5905-14-235-9505 | 1 |
| RC2T5K6J | F0114 | 2-2-03-1R16 | 5905-14-235-9511 | 1 |
| RC2T5K6J | F0114 | 2-2-03-1R17 | 5905-14-235-9511 | 1 |
| RC2T5K6J | F0114 | 2-2-03-1R26 | 5905-14-235-9511 | 1 |
| RC2T5K6J | F0114 | 2-2-03-1R27 | 5905-14-235-9511 | 1 |
| RC2T5K6J | F0114 | 2-2-09 R14 | 5905-14-235-9511 | 1 |
| RC2T5K6J | F0114 | 2-2-10 R44 | 5905-14-235-9511 | 1 |
| RC2T5K6J | F0114 | 2-2-10 R73 | 5905-14-235-9511 | 1 |
| RC2T5K6J | F0114 | 2-2-10 R74 | 5905-14-235-9511 | 1 |
| RC2T5K6J | F0114 | 2-2-11 R75 | 5905-14-235-9511 | 1 |

| MANUFACTURER'S PART NUMBER | VENDOR CODE | DRAWING ITEM | NATO CODE | Qty |
|-------------------------------|----------------|--------------|------------------|-----|
| RC2T5K6J | F0114 | 2-2-11 R76 | 5905-14-235-9511 | 1 |
| RC2T5K6J | F0114 | 2-2-11 R82 | 5905-14-235-9511 | 1 |
| RC2T5K6J | F0114 | 2-2-11 R83 | 5905-14-235-9511 | 1 |
| RC2T5K6J | F0114 | 2-2-11 R94 | 5905-14-235-9511 | 1 |
| RC2T5K6J | F0114 | 2-2-11 R95 | 5905-14-235-9511 | 1 |
| RC2T5K6J | F0114 | 2-2-11 R123 | 5910-14-235-9511 | 1 |
| RC2T5K6J | F0114 | 2-2-12 R1 | 5905-14-235-9511 | 1 |
| RC2T5K6J | F0114 | 2-2-13-2R32 | 5905-14-235-9511 | 1 |
| RC2T5K62G | F0114 | 2-2-10 R86 | 5905-14- | 1 |
| RC2T51UJ | F0114 | 2-2-04-2R248 | 5905-14-250-5528 | 1 |
| RC2T51UJ | F0114 | 2-2-06 R45 | 5905-14-250-5528 | 1 |
| RC2T56KJ | F0114 | 2-2-02-1R5 | 5905-14-235-9512 | 1 |
| RC2T56KJ | F0114 | 2-2-06 R7 | 5905-14-235-9512 | 1 |
| RC2T56KJ | F0114 | 2-2-09 R37 | 5905-14-235-9512 | 1 |
| RC2T56KJ | F0114 | 2-2-11 R15 | 5905-14-235-9512 | 1 |
| RC2T56KJ | F0114 | 2-2-11 R22 | 5905-14-235-9512 | 1 |
| RC2T56KJ | F0114 | 2-2-11 R64 | 5905-14-235-9512 | 1 |
| RC2T56KJ | F0114 | 2-2-12 R4 | 5905-14-235-9512 | 1 |
| RC2T56KJ | F0114 | 2-2-12 R11 | 5905-14-235-9512 | 1 |
| RC2T56UJ | F0114 | 2-2-04-4R423 | 5905-14-242-5341 | 1 |
| RC2T56UJ | F0114 | 2-2-08 R6 | 5905-14-242-5341 | 1 |
| RC2T560UJ | F0114 | 2-2-01-2R32 | 5905-14-235-9510 | 1 |
| RC2T560UJ | F0114 | 2-2-01-2R33 | 5905-14-235-9510 | 1 |
| RC2T560UJ | F0114 | 2-2-04-3R305 | 5905-14-235-9510 | 1 |
| RC2T560UJ | F0114 | 2-2-04-3R311 | 5905-14-235-9510 | 1 |
| RC2T560UJ | F0114 | 2-2-06 R16 | 5905-14-235-9510 | 1 |
| RC2T560UJ | F0114 | 2-2-09 R23 | 5905-14-235-9510 | 1 |
| RC2T560UJ | F0114 | 2-2-09 R83 | 5905-14-235-9510 | 1 |
| RC2T562UG | F0114 | 2-2-05 R18 | 5905-14- | 1 |
| RC2T6K8J | F0114 | 2-2-10 R43 | 5905-14-235-9346 | 1 |
| RC2T6K8J | F0114 | 2-2-13-2R100 | 5905-14-235-9346 | 1 |
| RC2T6K8J | F0114 | 2-2-13-2R101 | 5905-14-235-9346 | 1 |
| RC2T68UJ | F0114 | 2-2-03-1R8 | 5905-14-245-9993 | 1 |
| RC2T68UJ | F0114 | 2-2-08 R16 | 5910-14-245-9993 | 1 |
| RC2T68UJ | F0114 | 2-2-09 R11 | 5905-14-245-9993 | 1 |
| RC2T680UJ | F0114 | 2-2-01-2R24 | 5905-14-235-9189 | 1 |
| RC2T680UJ | F0114 | 2-2-01-2R26 | 5905-14-235-9189 | 1 |
| RC2T680UJ | F0114 | 2-2-04-4R402 | 5905-14-235-9189 | 1 |
| RC2T680UJ | F0114 | 2-2-04-4R413 | 5905-14-235-9189 | 1 |
| RC2T680UJ | F0114 | 2-2-06 R36 | 5905-14-235-9189 | 1 |
| RC2T680UJ | F0114 | 2-2-11 R67 | 5905-14-235-9189 | 1 |
| RC2T680UJ | F0114 | 2-2-13-2R12 | 5905-14-235-9189 | 1 |
| RC2T680UJ | F0114 | 2-2-13-2R13 | 5905-14-235-9189 | 1 |
| RC2T680UJ | F0114 | 2-2-13-2R87 | 5905-14-235-9189 | 1 |
| RC2T7K5J | F0114 | 2-2-10 R41 | 5905-14-231-7530 | 1 |
| RC2T7K5J | F0114 | 2-2-12 R92 | 5905-14-231-7530 | 1 |
| RC2T75KJ | F0114 | 2-2-04-4R405 | 5905-14-268-1757 | 1 |
| RC2T750UJ | F0114 | 2-2-04-2R264 | 5905-14-242-5346 | 1 |
| RC2T8K2J | F0114 | 2-2-05 R17 | 5905-14-235-9516 | 1 |
| RC2T8K2J | F0114 | 2-2-06 R14 | 5905-14-235-9516 | 1 |
| RC2T8K2J | F0114 | 2-2-09 R21 | 5905-14-235-9516 | 1 |
| RC2T8K2J | F0114 | 2-2-11 R98 | 5905-14-235-9516 | 1 |
| RC2T8K2J | F0114 | 2-2-12 R85 | 5905-14-235-9516 | 1 |

| MANUFACTURER'S PART NUMBER | VENDOR CODE | DRAWING ITEM | NATO CODE | Qty |
|-------------------------------|----------------|--------------|------------------|-----|
| RC2T82KJ | F0114 | 2-2-04-2R216 | 5905-14-235-9517 | 1 |
| RC2T82KJ | F0114 | 2-2-04-2R221 | 5905-14-235-9517 | 1 |
| RC2T82KJ | F0114 | 2-2-04-2R234 | 5905-14-235-9517 | 1 |
| RC2T82KJ | F0114 | 2-2-04-2R236 | 5905-14-235-9517 | 1 |
| RC2T82KJ | F0114 | 2-2-04-4R404 | 5905-14-235-9517 | 1 |
| RC2T82KJ | F0114 | 2-2-04-4R406 | 5905-14-235-9517 | 1 |
| RC2T82KJ | F0114 | 2-2-06 R56 | 5905-14-235-9517 | 1 |
| RC2T82KJ | F0114 | 2-2-09 R15 | 5905-14-235-9517 | 1 |
| RC2T82KJ | F0114 | 2-2-11 R115 | 5905-14-235-9517 | 1 |
| RC2T82KJ | F0114 | 2-2-11 R116 | 5905-14-235-9517 | 1 |
| RC2T820UJ | F0114 | 2-2-01-2R34 | 5905-14-235-9515 | 1 |
| RC2T820UJ | F0114 | 2-2-04-1R101 | 5905-14-235-9515 | 1 |
| RC2T820UJ | F0114 | 2-2-04-1R102 | 5905-14-235-9515 | 1 |
| RC2T820UJ | F0114 | 2-2-04-2R247 | 5905-14-235-9515 | 1 |
| RC2T820UJ | F0114 | 2-2-04-3R317 | 5905-14-235-9515 | 1 |
| RC2T820UJ | F0114 | 2-2-04-3R321 | 5905-14-235-9515 | 1 |
| RC2T820UJ | F0114 | 2-2-08 R7 | 5905-14-235-9515 | 1 |
| RC2T820UJ | F0114 | 2-2-13-2R23 | 5905-14-235-9515 | 1 |
| RC2T820UJ | F0114 | 2-2-13-2R97 | 5905-14-235-9515 | 1 |
| RC2T9K1J | F0114 | 2-2-06 R26 | 5905-14-232-9430 | 1 |
| RC2T9K53G | F0114 | 2-2-05 R9 | 5905-14- | 1 |
| RC3T390UJ | F0114 | 2-2-13-2R37 | 5905-14-231-7525 | 1 |
| RC3T47UJ | F0114 | 2-2-10 R36 | 5905-14-212-4903 | 1 |
| RC3T470UJ | F0114 | 2-2-13-2R3 | 5905-14-235-9505 | 1 |
| RC3T6U8J | F0114 | 2-2-13-2R64 | 5905-14-268-4555 | 1 |
| RC3T6U8J | F0114 | 2-2-13-2R65 | 5905-14-268-4555 | 1 |
| RC3T680UJ | F0114 | 2-2-13-2R68 | 5905-14-268-4555 | 1 |
| RC6TAAJUSTER | F0114 | 2-2-07 R8 | 5905-14- | 1 |
| RC6T1KJ | F0114 | 2-2-07 R3 | 5905-14-291-5219 | 1 |
| RC6T1KJ | F0114 | 2-2-07 R6 | 5905-14-291-5219 | 1 |
| RC6T1KJ | F0114 | 2-2-07 R22 | 5905-14-291-5219 | 1 |
| RC6T1K5J | F0114 | 2-2-07 R13 | 5905-14-296-0677 | 1 |
| RC6T10UJ | F0114 | 2-2-07 R4 | 5905-14-285-4057 | 1 |
| RC6T10KJ | F0114 | 2-2-07 R17 | 5905-14-291-5226 | 1 |
| RC6T10KJ | F0114 | 2-2-07 R21 | 5905-14-291-5226 | 1 |
| RC6T10KJ | F0114 | 2-2-07 R23 | 5905-14-291-5226 | 1 |
| RC6T12KJ | F0114 | 2-2-07 R14 | 5905-14-291-5227 | 1 |
| RC6T15KJ | F0114 | 2-2-07 R2 | 5905-14-301-3645 | 1 |
| RC6T3K3J | F0114 | 2-2-07 R18 | 5905-14-296-0682 | 1 |
| RC6T3K9J | F0114 | 2-2-07 R1 | 5905-14-296-0684 | 1 |
| RC6T3K9J | F0114 | 2-2-07 R5 | 5905-14-296-0684 | 1 |
| RC6T3K9J | F0114 | 2-2-08 R8 | 5905-14-235-9501 | 1 |
| RC6T390UJ | F0114 | 2-2-06 R3 | 5905-14-296-0664 | 1 |
| RC6T47KJ | F0114 | 2-2-07 R16 | 5905-14-296-0694 | 1 |
| RC6T47KJ | F0114 | 2-2-07 R24 | 5905-14-296-0694 | 1 |
| RC6T47KJ | F0114 | 2-2-07 R25 | 5905-14-296-0694 | 1 |
| RC6T47KJ | F0114 | 2-2-07 R26 | 5905-14-296-0694 | 1 |
| RC6T47UJ | F0114 | 2-2-06 R35 | 5905-14-285-4054 | 1 |
| RC6T47UJ | F0114 | 2-2-07 R11 | 5905-14-285-4054 | 1 |
| RC6T51UJ | F0114 | 2-2-02-2R106 | 5905-14-296-0644 | 1 |
| RC6T56KJ | F0114 | 2-2-07 R15 | 5905-14-296-0695 | 1 |
| RC6T56UJ | F0114 | 2-2-08 R14 | 5905-14-242-5341 | 1 |
| RC6T680UJ | F0114 | 2-2-07 R7 | 5905-14-296-0670 | 1 |

| MANUFACTURER'S PART NUMBER | VENDOR CODE | DRAWING ITEM | NATO CODE | Qty |
|-------------------------------|----------------|--------------|------------------|-----|
| RC6T82UJ | F0114 | 2-2-06 R44 | 5905-14-242-5342 | 1 |
| RC6T82UJ | F0114 | 2-2-13-1R5 | 5905-14-296-0649 | 1 |
| RC6T82UJ | F0114 | 2-2-13-1R11 | 5905-14-296-0649 | 1 |
| RC8U1K2J | F0114 | 2-2-09 R22 | 5905-14-277-6743 | 1 |
| RC8U10KJ | F0114 | 2-2-09 R53 | 5905-14-277-6759 | 1 |
| RC8U10KJ | F0114 | 2-2-09 R56 | 5905-14-277-6759 | 1 |
| RC8U10KJ | F0114 | 2-2-09 R76 | 5905-14-277-6759 | 1 |
| RC8U100KJ | F0114 | 2-2-09 R44 | 5905-14-277-6776 | 1 |
| RC8U100UJ | F0114 | 2-2-09 R85 | 5905-14-277-6725 | 1 |
| RC8U12KJ | F0114 | 2-2-09 R73 | 5905-14-277-6760 | 1 |
| RC8U2K05G | F0114 | 2-2-10 R4 | 5905-14- | 1 |
| RC8U2K2J | F0114 | 2-2-09 R47 | 5905-14-277-6747 | 1 |
| RC8U27KJ | F0114 | 2-2-09 R43 | 5905-14-277-6765 | 1 |
| RC8U3K3J | F0114 | 2-2-09 R61 | 5905-14-277-6750 | 1 |
| RC8U3K9J | F0114 | 2-2-09 R58 | 5905-14-277-6751 | 1 |
| RC8U300UJ | F0114 | 2-2-09 R67 | 5905-14-277-6732 | 1 |
| RC8U33KJ | F0114 | 2-2-09 R81 | 5905-14-277-6767 | 1 |
| RC8U33UJ | F0114 | 2-2-09 R77 | 5905-14-277-6716 | 1 |
| RC8U330UJ | F0114 | 2-2-09 R65 | 5905-14-277-6733 | 1 |
| RC8U4K7J | F0114 | 2-2-09 R64 | 5905-14-277-6752 | 1 |
| RC8U4K7J | F0114 | 2-2-09 R71 | 5905-14-277-6752 | 1 |
| RC8U47KJ | F0114 | 2-2-09 R4 | 5905-14-277-6769 | 1 |
| RC8U5K6J | F0114 | 2-2-09 R2 | 5905-14-277-6753 | 1 |
| RC8U5K6J | F0114 | 2-2-09 R27 | 5905-14-277-6753 | 1 |
| RC8U51K1G | F0114 | 2-2-10 R11 | 5905-14- | 1 |
| RC8U560UJ | F0114 | 2-2-09 R5 | 5905-14-277-6736 | 1 |
| RC8U68UJ | F0114 | 2-2-09 R66 | 5905-14-277-6721 | 1 |
| RC8U8K2J | F0114 | 2-2-09 R84 | 5905-14-277-6757 | 1 |
| RMB1-5U22J | F1621 | 2-2-13-2R46 | 5905-14- | 1 |
| RMB1-5U22J | F1621 | 2-2-13-2R47 | 5905-14- | 1 |
| RMX0-12-464KF | F0350 | 2-2-12 R46 | 5905-14- | 1 |
| RMX0-12-464KF | F0350 | 2-2-12 R53 | 5905-14- | 1 |
| RS55D1K21F | F0114 | 2-2-12 R91 | 5905-14-242-7084 | 1 |
| RS55D1K91F | F0114 | 2-2-12 R66 | 5905-14-242-7103 | 1 |
| RS55D11KF | F0114 | 2-2-12 R62 | 5905-14-242-7109 | 1 |
| RS55D2K21F | F0114 | 2-2-12 R56 | 5905-14-242-7109 | 1 |
| RS55D221KF | F0114 | 2-2-13-2R24 | 5905-14- | 1 |
| RS55D221KF | F0114 | 2-2-13-2R25 | 5905-14- | 1 |
| RS55D39K2F | F0114 | 2-2-12 R45 | 5905-14-242-7228 | 1 |
| RS55D4K32F | F0114 | 2-2-12 R103 | 5905-14-242-7137 | 1 |
| RS55D4K75F | F0114 | 2-2-12 R97 | 5905-14-242-7141 | 1 |
| RS55D4K75F | F0114 | 2-2-13-2R22 | 5905-14-242-7141 | 1 |
| RS55D4K75F | F0114 | 2-2-13-2R27 | 5905-14-242-7141 | 1 |
| RS55D47K5F | F0114 | 2-2-12 R102 | 5905-14-242-7236 | 1 |
| RS55D5K23F | F0114 | 2-2-12 R101 | 5905-14-242-7145 | 1 |
| RS55D7K5F | F0114 | 2-2-12 R71 | 5905-14-242-7160 | 1 |
| RS55D78K7F | F0114 | 2-2-12 R41 | 5905-14-242-7257 | 1 |
| RS55D78K7F | F0114 | 2-2-12 R44 | 5905-14-242-7257 | 1 |
| RS58Y15KF | F0114 | 2-2-12 R36 | 5905-14-286-5522 | 1 |
| RS58Y15KF | F0114 | 2-2-12 R37 | 5905-14-286-5522 | 1 |
| RS58Y15KF | F0114 | 2-2-12 R42 | 5905-14-286-5522 | 1 |
| RS58Y15KF | F0114 | 2-2-12 R47 | 5905-14-286-5522 | 1 |
| RS58Y16U5F | F0114 | 2-2-01-2R1 | 5905-14- | 1 |

| MANUFACTURER'S PART NUMBER | VENDOR CODE | DRAWING ITEM | NATO CODE | Qty |
|-------------------------------|----------------|--------------|------------------|-----|
| RS58Y16U5F | F0114 | 2-2-01-2R2 | 5905-14- | 1 |
| RS58Y16U5F | F0114 | 2-2-01-2R7 | 5905-14- | 1 |
| RS58Y16U5F | F0114 | 2-2-01-2R11 | 5905-14- | 1 |
| RS58Y3K65F | F0114 | 2-2-10 R45 | 5905-14- | 1 |
| RS58Y66U5F | F0114 | 2-2-01-2R4 | 5905-14- | 1 |
| RS58Y66U5F | F0114 | 2-2-01-2R5 | 5905-14- | 1 |
| RS58Y7K5F | F0114 | 2-2-10 R35 | 5905-14-291-5248 | 1 |
| RS58Y7K5F | F0114 | 2-2-10 R47 | 5905-14-291-5248 | 1 |
| RS58Y84K5F | F0114 | 2-2-12 R43 | 5905-14- | 1 |
| RS58Y90K9F | F0114 | 2-2-12 R54 | 5905-14-303-6695 | 1 |
| RS61D49U9F | F0114 | 2-2-13-1R91 | 5905-14-244-2462 | 1 |
| RS61D49U9F | F0114 | 2-2-13-1R94 | 5905-14-244-2462 | 1 |
| SBM1R16V1MM | F3422 | 2-2-11 C54 | 5910-14- | 1 |
| SBM4A16V22MM | F3422 | 2-2-06 C2 | 5910-14- | 1 |
| SBM4A16V22MM | F3422 | 2-2-06 C3 | 5910-14- | 1 |
| SBM4A16V22MM | F3422 | 2-2-06 C4 | 5910-14- | 1 |
| SBM4A16V22MM | F3422 | 2-2-06 C11 | 5910-14- | 1 |
| SBM4A16V22MM | F3422 | 2-2-06 C44 | 5910-14- | 1 |
| SBM4A25V10MM | F3422 | 2-2-06 C37 | 5910-14- | 1 |
| SBM4R16V22MM | F3422 | 2-2-07 C18 | 5910-14- | 1 |
| SBM4R25V10MM | F3422 | 2-2-13-2C30 | 5910-14- | 1 |
| SFC2008 | F4601 | 2-2-11 Z1 | 5962-14- | 1 |
| SFC2709T | F4601 | 2-2-12 Z1 | 5962-14- | 1 |
| SFC2709T | F4601 | 2-2-12 Z2 | 5962-14- | 1 |
| SFC2709T | F4601 | 2-2-12 Z3 | 5962-14- | 1 |
| SFC2709T | F4601 | 2-2-12 Z4 | 5962-14- | 1 |
| SFC2709T | F4601 | 2-2-13-2Z1 | 5962-14- | 1 |
| SFC2709T | F4601 | 2-2-13-2Z2 | 5962-14- | 1 |
| SFD129B | F4601 | 2-2-03-1CR1 | 5961-14-252-9841 | 1 |
| SFD129B | F4601 | 2-2-03-1CR13 | 5961-14-252-9841 | 1 |
| SFD129B | F4601 | 2-2-03-1CR14 | 5961-14-252-9841 | 1 |
| SFD129B | F4601 | 2-2-03-1CR15 | 5961-14-252-9841 | 1 |
| SFD129B | F4601 | 2-2-03-1CR16 | 5961-14-252-9841 | 1 |
| SFD129B | F4601 | 2-2-03-1CR17 | 5961-14-252-9841 | 1 |
| SFD129B | F4601 | 2-2-03-1CR21 | 5961-14-252-9841 | 1 |
| SFD129B | F4601 | 2-2-03-1CR22 | 5961-14-252-9841 | 1 |
| SFD129B | F4601 | 2-2-03-1CR23 | 5961-14-252-9841 | 1 |
| SFD129B | F4601 | 2-2-03-1CR24 | 5961-14-252-9841 | 1 |
| SFD129B | F4601 | 2-2-03-1CR25 | 5961-14-252-9841 | 1 |
| SFD129B | F4601 | 2-4-01 CR3 | 5961-14-252-9841 | 1 |
| SFD129B | F4601 | 2-4-01 CR4 | 5961-14-252-9841 | 1 |
| SFD129B | F4601 | 2-4-01 CR5 | 5961-14-252-9841 | 1 |
| SFD129B | F4601 | 2-4-01 CR6 | 5961-14-252-9841 | 1 |
| SN8400N | F2210 | 2-2-01-2Z2 | 5962-14- | 1 |
| SN8420N | F2210 | 2-2-06 Z3 | 5962-14- | 1 |
| SN8474N | F2210 | 2-2-01-2Z3 | 5962-14- | 1 |
| TAA611E55 | F3223 | 2-2-10 Z2 | 5962-14- | 1 |
| UAZ905-10KM | F0350 | 2-2-04-4C402 | 5910-14- | 1 |
| UAZ905-10KM | F0350 | 2-2-06 C41 | 5910-14- | 1 |
| UAZ905-10KM | F0350 | 2-2-07 C5 | 5910-14- | 1 |
| UAZ905-10KM | F0350 | 2-2-07 C22 | 5910-14- | 1 |
| UAZ905-10KM | F0350 | 2-2-07 C23 | 5910-14- | 1 |
| UAZ905-100KM | F0350 | 2-2-04-1C101 | 5910-14-040-0364 | 1 |

| MANUFACTURER'S PART NUMBER | VENDOR CODE | DRAWING ITEM | NATO CODE | Qty |
|-------------------------------|----------------|--------------|------------------|-----|
| UAZ905-100KM | F0350 | 2-2-04-1C102 | 5910-14-040-0364 | 1 |
| UAZ905-100KM | F0350 | 2-2-07 C2 | 5910-14-040-0364 | 1 |
| UAZ905-100KM | F0350 | 2-2-07 C4 | 5910-14-040-0364 | 1 |
| UAZ905-15KM | F0350 | 2-2-07 C13 | 5910-14- | 1 |
| UAZ905-47KM | F0350 | 2-2-02-2C101 | 5910-14- | 1 |
| UAZ905-47KM | F0350 | 2-2-06 C43 | 5910-14- | 1 |
| UAZ905-47KM | F0350 | 2-2-06 C51 | 5910-14- | 1 |
| UAZ905-47KM | F0350 | 2-2-06 C53 | 5910-14- | 1 |
| UAZ905-47KM | F0350 | 2-2-06 C54 | 5910-14- | 1 |
| UAZ905-47KM | F0350 | 2-2-07 C6 | 5910-14- | 1 |
| UAZ905-47KM | F0350 | 2-2-08 C6 | 5910-14- | 1 |
| UAZ905-47KM | F0350 | 2-2-08 C11 | 5910-14- | 1 |
| UAZ905-47KM | F0350 | 2-2-08 C14 | 5910-14- | 1 |
| UFW606-10KJL | F0350 | 2-2-09 C6 | 5910-14- | 1 |
| UFW606-10KJL | F0350 | 2-2-09 C7 | 5910-14- | 1 |
| UFW606-10KJL | F0350 | 2-2-09 C11 | 5910-14- | 1 |
| UFW606-10KJL | F0350 | 2-2-09 C12 | 5910-14- | 1 |
| UFW606-10KJL | F0350 | 2-2-09 C22 | 5910-14- | 1 |
| UFW606-10KJL | F0350 | 2-2-09 C23 | 5910-14- | 1 |
| UFW606-10KJL | F0350 | 2-2-09 C24 | 5910-14- | 1 |
| UFW606-10KJL | F0350 | 2-2-09 C36 | 5910-14- | 1 |
| UFW606-10KJL | F0350 | 2-2-09 C42 | 5910-14- | 1 |
| UFW606-10KJL | F0350 | 2-2-09 C43 | 5910-14- | 1 |
| UFW606-10KJL | F0350 | 2-2-09 C47 | 5910-14- | 1 |
| UFW606-10KJL | F0350 | 2-2-09 C51 | 5910-14- | 1 |
| UFW606-10KJL | F0350 | 2-2-09 C62 | 5910-14- | 1 |
| UFW606-10KJL | F0350 | 2-2-09 C66 | 5910-14- | 1 |
| UFW606-10KJL | F0350 | 2-2-09 C77 | 5910-14- | 1 |
| UFW606-10KJL | F0350 | 2-2-09 C81 | 5910-14- | 1 |
| UFW606-10KJL | F0350 | 2-2-10 C52 | 5910-14- | 1 |
| UFW606-10KJL | F0350 | 2-2-10 C55 | 5910-14- | 1 |
| UFW606-10KJL | F0350 | 2-2-11 C3 | 5910-14- | 1 |
| UFW606-10KJL | F0350 | 2-2-11 C6 | 5910-14- | 1 |
| UFW606-10KJL | F0350 | 2-2-11 C15 | 5910-14- | 1 |
| UFW606-10KJL | F0350 | 2-2-11 C16 | 5910-14- | 1 |
| UFW606-10KJL | F0350 | 2-2-11 C17 | 5910-14- | 1 |
| UFW606-10KJL | F0350 | 2-2-11 C31 | 5910-14- | 1 |
| UFW606-10KJL | F0350 | 2-2-11 C32 | 5910-14- | 1 |
| UFW606-10KJL | F0350 | 2-2-11 C33 | 5910-14- | 1 |
| UFW606-10KJL | F0350 | 2-2-11 C34 | 5910-14- | 1 |
| UFW606-10KJL | F0350 | 2-2-11 C36 | 5910-14- | 1 |
| UFW606-10KJL | F0350 | 2-2-11 C37 | 5910-14- | 1 |
| UFW606-10KJL | F0350 | 2-2-11 C41 | 5910-14- | 1 |
| UFW606-10KJL | F0350 | 2-2-11 C43 | 5910-14- | 1 |
| UFW606-10KJL | F0350 | 2-2-11 C52 | 5910-14- | 1 |
| UFW606-22KJL | F0350 | 2-2-05 C1 | 5910-14- | 1 |
| UFW606-22KJL | F0350 | 2-2-05 C2 | 5910-14- | 1 |
| UFW608-47KJL | F0350 | 2-2-04-2C204 | 5910-14- | 1 |
| UFW608-47KJL | F0350 | 2-2-04-2C206 | 5910-14- | 1 |
| UFW608-47KJL | F0350 | 2-2-04-2C207 | 5910-14- | 1 |
| UFW608-47KJL | F0350 | 2-2-04-2C221 | 5910-14- | 1 |
| UFW608-47KJL | F0350 | 2-2-04-2C244 | 5910-14- | 1 |
| UFW608-47KJL | F0350 | 2-2-04-2C252 | 5910-14- | 1 |

| MANUFACTURER'S PART NUMBER | VENDOR CODE | DRAWING ITEM | NATO CODE | Qty |
|-------------------------------|----------------|---------------|------------------|-----|
| UFW608-47KJL | F0350 | 2-2-04-2C271 | 5910-14- | 1 |
| UFW608-47KJL | F0350 | 2-2-04-2C272 | 5910-14- | 1 |
| UFW608-47KJL | F0350 | 2-2-04-2C273 | 5910-14- | 1 |
| UFW608-47KJL | F0350 | 2-2-04-2C274 | 5910-14- | 1 |
| UFW608-47KJL | F0350 | 2-2-04-2C275 | 5910-14- | 1 |
| UFW608-47KJL | F0350 | 2-2-04-3C305 | 5910-14- | 1 |
| UFW608-47KJL | F0350 | 2-2-04-3C316 | 5910-14- | 1 |
| UFW608-47KJL | F0350 | 2-2-04-3C322 | 5910-14- | 1 |
| UFW608-47KJL | F0350 | 2-2-04-3C324 | 5910-14- | 1 |
| UFW608-47KJL | F0350 | 2-2-04-3C325 | 5910-14- | 1 |
| UFW608-47KJL | F0350 | 2-2-04-3C326 | 5910-14- | 1 |
| UFW608-47KJL | F0350 | 2-2-04-3C353 | 5910-14- | 1 |
| UFW608-47KJL | F0350 | 2-2-04-3C356 | 5910-14- | 1 |
| UFW608-47KJL | F0350 | 2-2-04-3C357 | 5910-14- | 1 |
| UFW608-47KJL | F0350 | 2-2-04-3C362 | 5910-14- | 1 |
| UFW608-47KJL | F0350 | 2-2-04-3C364 | 5910-14- | 1 |
| UFW608-47KJL | F0350 | 2-2-09 C1 | 5910-14- | 1 |
| UFW608-47KJL | F0350 | 2-2-09 C3 | 5910-14- | 1 |
| UFW608-47KJL | F0350 | 2-2-09 C13 | 5910-14- | 1 |
| UFW608-47KJL | F0350 | 2-4-01 C4 | 5910-14- | 1 |
| UFW608-47KJL | F0350 | 2-4-01 C6 | 5910-14- | 1 |
| UFW608-47KJL | F0350 | 2-4-01 C7 | 5910-14- | 1 |
| UFW608-47KJL | F0350 | 2-4-01 C11 | 5910-14- | 1 |
| UFW608-47KJL | F0350 | 2-4-01 C12 | 5910-14- | 1 |
| UFW608-47KJL | F0350 | 2-4-01 C13 | 5910-14- | 1 |
| UFW608-47KJL | F0350 | 2-4-01 C14 | 5910-14- | 1 |
| UG657U | F0503 | 2-2-01 J302 | 5935-14-212-6194 | 1 |
| UG85-10V100MM | F6180 | 2-2-09 C33 | 5910-14- | 1 |
| UG85-10V100MM | F6180 | 2-2-09 C52 | 5910-14- | 1 |
| UG85-10V100MM | F6180 | 2-2-09 C64 | 5910-14- | 1 |
| UG85-10V100MM | F6180 | 2-2-10 C17 | 5910-14- | 1 |
| UG85-10V100MM | F6180 | 2-2-10 C26 | 5910-14- | 1 |
| UG85-10V100MM | F6180 | 2-2-10 C51 | 5910-14- | 1 |
| UG85-10V100MM | F6180 | 2-2-10 C53 | 5910-14- | 1 |
| UG85-16V100MM | F6180 | 2-2-10 C5 | 5910-14- | 1 |
| UG85-16V68MM | F6180 | 2-2-09 C73 | 5910-14- | 1 |
| UG85-16V68MM | F6180 | 2-2-09 C75 | 5910-14- | 1 |
| UG85-16V68MM | F6180 | 2-2-10 C43 | 5910-14- | 1 |
| UTZ2906-33KM | F0350 | 2-2-06 C5 | 5910-14- | 1 |
| U235 | 17856 | 2-2-07 Q3 | 5961-00- | 1 |
| U7B93L00-51X | 07263 | 2-2-06 Z4 | 5962-00- | 1 |
| VA05H220UM | F0978 | 2-4-01 R4 | 5905-14-288-7717 | 1 |
| VA05H220UM | F0978 | 2-4-01 R6 | 5905-14-288-7717 | 1 |
| VY81C270J | 95275 | 2-2-01 C304 | 5910-00- | 1 |
| 1N1342B | F4759 | 2-3 CR102 | 5661-14- | 1 |
| 1N4148 | F0115 | 2-2-01-1CR301 | 5961-14-256-6509 | 1 |
| 1N4148 | F0115 | 2-2-01-2CR6 | 5961-14-256-6509 | 1 |
| 1N4148 | F0115 | 2-2-01-2CR7 | 5961-14-256-6509 | 1 |
| 1N4148 | F0115 | 2-2-01-2CR11 | 5961-14-256-6509 | 1 |
| 1N4148 | F0115 | 2-2-01-2CR12 | 5961-14-256-6509 | 1 |
| 1N4148 | F0115 | 2-2-01-2CR13 | 5961-14-256-6509 | 1 |
| 1N4148 | F0115 | 2-2-02-2CR101 | 5961-14-256-6509 | 1 |
| 1N4148 | F0115 | 2-2-02-2CR102 | 5961-14-256-6509 | 1 |

| MANUFACTURER'S PART NUMBER | VENDOR CODE | DRAWING ITEM | NATO CODE | Qty |
|-------------------------------|----------------|---------------|------------------|-----|
| 1N4148 | F0115 | 2-2-03-1CR2 | 5961-14-256-6509 | 1 |
| 1N4148 | F0115 | 2-2-03-1CR6 | 5961-14-256-6509 | 1 |
| 1N4148 | F0115 | 2-2-03-1CR7 | 5961-14-256-6509 | 1 |
| 1N4148 | F0115 | 2-2-03-1CR11 | 5961-14-256-6509 | 1 |
| 1N4148 | F0115 | 2-2-03-1CR12 | 5961-14-256-6509 | 1 |
| 1N4148 | F0115 | 2-2-04-1CR101 | 5961-14-256-6509 | 1 |
| 1N4148 | F0115 | 2-2-04-1CR103 | 5961-14-256-6509 | 1 |
| 1N4148 | F0115 | 2-2-04-1CR104 | 5961-14-256-6509 | 1 |
| 1N4148 | F0115 | 2-2-04-1CR106 | 5961-14-256-6509 | 1 |
| 1N4148 | F0115 | 2-2-06 CR4 | 5961-14-256-6509 | 1 |
| 1N4148 | F0115 | 2-2-06 CR5 | 5961-14-256-6509 | 1 |
| 1N4148 | F0115 | 2-2-08 CR5 | 5961-14-256-6509 | 1 |
| 1N4148 | F0115 | 2-2-09 CR1 | 5961-14-256-6509 | 1 |
| 1N4148 | F0115 | 2-2-09 CR2 | 5961-14-256-6509 | 1 |
| 1N4148 | F0115 | 2-2-09 CR3 | 5961-14-256-6509 | 1 |
| 1N4148 | F0115 | 2-2-09 CR4 | 5961-14-256-6509 | 1 |
| 1N4148 | F0115 | 2-2-09 CR5 | 5961-14-256-6509 | 1 |
| 1N4148 | F0115 | 2-2-09 CR6 | 5961-14-256-6509 | 1 |
| 1N4148 | F0115 | 2-2-09 CR7 | 5961-14-256-6509 | 1 |
| 1N4148 | F0115 | 2-2-10 CR6 | 5961-14-256-6509 | 1 |
| 1N4148 | F0115 | 2-2-10 CR7 | 5961-14-256-6509 | 1 |
| 1N4148 | F0115 | 2-2-10 CR8 | 5961-14-256-6509 | 1 |
| 1N4148 | F0115 | 2-2-10 CR9 | 5961-14-256-6509 | 1 |
| 1N4148 | F0115 | 2-2-10 CR11 | 5961-14-256-6509 | 1 |
| 1N4148 | F0115 | 2-2-10 CR12 | 5961-14-256-6509 | 1 |
| 1N4148 | F0115 | 2-2-10 CR13 | 5961-14-256-6509 | 1 |
| 1N4148 | F0115 | 2-2-10 CR14 | 5961-14-256-6509 | 1 |
| 1N4148 | F0115 | 2-2-10 CR15 | 5961-14-256-6509 | 1 |
| 1N4148 | F0115 | 2-2-10 CR16 | 5961-14-256-6509 | 1 |
| 1N4148 | F0115 | 2-2-10 CR17 | 5961-14-256-6509 | 1 |
| 1N4148 | F0115 | 2-2-10 CR18 | 5961-14-256-6509 | 1 |
| 1N4148 | F0115 | 2-2-11 CR1 | 5961-14-256-6509 | 1 |
| 1N4148 | F0115 | 2-2-11 CR2 | 5961-14-256-6509 | 1 |
| 1N4148 | F0115 | 2-2-11 CR5 | 5961-14-256-6509 | 1 |
| 1N4148 | F0115 | 2-2-11 CR8 | 5961-14-256-6509 | 1 |
| 1N4148 | F0115 | 2-2-11 CR11 | 5961-14-256-6509 | 1 |
| 1N4148 | F0115 | 2-2-11 CR12 | 5961-14-256-6509 | 1 |
| 1N4148 | F0115 | 2-2-11 CR13 | 5961-14-256-6509 | 1 |
| 1N4148 | F0115 | 2-2-11 CR14 | 5961-14-256-6509 | 1 |
| 1N4148 | F0115 | 2-2-11 CR15 | 5961-14-256-6509 | 1 |
| 1N4148 | F0115 | 2-2-11 CR16 | 5961-14-256-6509 | 1 |
| 1N4148 | F0115 | 2-2-11 CR17 | 5961-14-256-6509 | 1 |
| 1N4148 | F0115 | 2-2-11 CR21 | 5961-14-256-6509 | 1 |
| 1N4148 | F0115 | 2-2-11 CR22 | 5961-14-256-6509 | 1 |
| 1N4148 | F0115 | 2-2-11 CR23 | 5961-14-256-6509 | 1 |
| 1N4148 | F0115 | 2-2-11 CR24 | 5961-14-256-6509 | 1 |
| 1N4148 | F0115 | 2-2-12 CR1 | 5961-14-256-6509 | 1 |
| 1N4148 | F0115 | 2-2-12 CR2 | 5961-14-256-6509 | 1 |
| 1N4148 | F0115 | 2-2-12 CR3 | 5961-14-256-6509 | 1 |
| 1N4148 | F0115 | 2-2-12 CR4 | 5961-14-256-6509 | 1 |
| 1N4148 | F0115 | 2-2-12 CR5 | 5961-14-256-6509 | 1 |
| 1N4148 | F0115 | 2-2-12 CR6 | 5961-14-256-6509 | 1 |
| 1N4148 | F0115 | 2-2-13-1CR1 | 5961-14-256-6509 | 1 |

| MANUFACTURER'S PART NUMBER | VENDOR CODE | DRAWING ITEM | NATO CODE | Qty. |
|-------------------------------|----------------|---------------|------------------|------|
| 1N4148 | F0115 | 2-2-13-1CR2 | 5961-14-256-6509 | 1 |
| 1N4148 | F0115 | 2-2-13-1CR6 | 5961-14-256-6509 | 1 |
| 1N4148 | F0115 | 2-2-13-2CR13 | 5961-14-256-6509 | 1 |
| 1N4148 | F0115 | 2-2-13-2CR14 | 5961-14-256-6509 | 1 |
| 1025-36 | 99800 | 2-2-04-3L317 | 5950-00-961-9600 | 1 |
| 1025-36 | 99800 | 2-2-04-4L401 | 5950-00-961-9600 | 1 |
| 1N4150 | F0115 | 2-2-03-1CR4 | 5961-14-281-3551 | 1 |
| 1N4153 | F4601 | 2-2-09 CR11 | 5961-14- | 1 |
| 1N4153 | F4601 | 2-2-09 CR13 | 5961-14- | 1 |
| 1N4153 | F4601 | 2-2-09 CR14 | 5961-14- | 1 |
| 1N4153 | F4601 | 2-2-11 CR3 | 5961-14- | 1 |
| 1N4153 | F4601 | 2-2-11 CR4 | 5961-14- | 1 |
| 1N4153 | F4601 | 2-2-11 CR6 | 5961-14- | 1 |
| 1N4153 | F4601 | 2-2-11 CR7 | 5961-14- | 1 |
| 1N5444A | 04713 | 2-2-06 CR2 | 5961-00- | 1 |
| 1N5446A | 04713 | 2-2-06 CR1 | 5961-00- | 1 |
| 1N5470B | 04713 | 2-2-04-4CR405 | 5961-00- | 1 |
| 1N5471B | 04713 | 2-2-04-4CR403 | 5961-00- | 1 |
| 1N5472B | 04713 | 2-2-04-4CR404 | 5961-00- | 1 |
| 1N647 | F0115 | 2-2-10 CR3 | 5961-14-208-2287 | 1 |
| 1N647 | F0115 | 2-2-10 CR5 | 5961-14-208-2287 | 1 |
| 1N708A | F4759 | 2-2-01-2CR5 | 5961-14-264-1639 | 1 |
| 1N823A | F4759 | 2-2-03-1CR3 | 5961-14- | 1 |
| 1N823A | F4759 | 2-2-06 CR3 | 5961-14- | 1 |
| 1N971B | F4601 | 2-2-03-1CR5 | 5961-14-278-9648 | 1 |
| 10-5X2FN40 | F0235 | 2-2-01 XXX15 | 5330-14- | 1 |
| 10-5X2FN40 | F0235 | 2-2-02 XXX13 | 5330-14- | 1 |
| 10-5X2FN40 | F0235 | 2-3 XXX21 | 5330-14- | 2 |
| 1025-00 | 99800 | 2-2-04-1L101 | 5950-00- | 1 |
| 1025-00 | 99800 | 2-2-04-2L204 | 5950-00- | 1 |
| 1025-00 | 99800 | 2-2-04-2L205 | 5950-00- | 1 |
| 1025-00 | 99800 | 2-2-04-2L214 | 5950-00- | 1 |
| 1025-04 | 99800 | 2-2-04-3L302 | 5950-00- | 1 |
| 1025-04 | 99800 | 2-2-13-1L4 | 5950-00- | 1 |
| 1025-04 | 99800 | 2-2-13-1L5 | 5950-00- | 1 |
| 1025-08 | 99800 | 2-2-04-3L306 | 5950-00- | 1 |
| 1025-10 | 99800 | 2-2-04-3L303 | 5950-00- | 1 |
| 1025-10 | 99800 | 2-2-04-3L305 | 5950-00- | 1 |
| 1025-20 | 99800 | 2-2-04-2L206 | 5950-00- | 1 |
| 1025-20 | 99800 | 2-2-04-2L207 | 5950-00- | 1 |
| 1025-20 | 99800 | 2-2-04-2L212 | 5950-00- | 1 |
| 1025-20 | 99800 | 2-2-04-2L213 | 5950-00- | 1 |
| 1025-20 | 99800 | 2-2-04-2L216 | 5950-00- | 1 |
| 1025-20 | 99800 | 2-2-06 L3 | 5950-00- | 1 |
| 1025-20 | 99800 | 2-2-06 L4 | 5950-00- | 1 |
| 1025-28 | 99800 | 2-2-04-2L201 | 5950-00- | 1 |
| 1025-28 | 99800 | 2-2-04-2L202 | 5950-00- | 1 |
| 1025-28 | 99800 | 2-2-04-2L211 | 5950-00- | 1 |
| 1025-28 | 99800 | 2-2-04-2L217 | 5950-00- | 1 |
| 1025-32 | 99800 | 2-2-04-3L301 | 5950-00- | 1 |
| 1025-36 | 99800 | 2-2-02-2L101 | 5950-00-961-9600 | 1 |
| 1025-36 | 99800 | 2-2-02-2L102 | 5950-00-961-9600 | 1 |
| 1025-36 | 99800 | 2-2-04-3L304 | 5950-00-961-9600 | 1 |

| MANUFACTURER'S PART NUMBER | VENDOR CODE | DRAWING ITEM | NATO CODE | Qty |
|-------------------------------|----------------|--------------|------------------|-----|
| 1025-36 | 99800 | 2-2-04-3L315 | 5950-00-961-9600 | 1 |
| 1025-36 | 99800 | 2-2-04-3L316 | 5950-00-961-9600 | 1 |
| 15028205 | F0052 | 2-2-08 A18 | | FM |
| 15028208 | F0052 | 2-2-08 Z4 | 5962-14- | 1 |
| 1025-36 | 99800 | 2-2-04-4L403 | 5950-00-961-9600 | 1 |
| 1025-36 | 99800 | 2-2-04-4L404 | 5950-00-961-9600 | 1 |
| 1025-36 | 99800 | 2-2-04-4L407 | 5950-00-961-9600 | 1 |
| 1025-38 | 99800 | 2-2-04-3L307 | 5950-00- | 1 |
| 1025-52 | 99800 | 2-2-11 L1 | 5950-00- | 1 |
| 1025-60 | 99800 | 2-2-13-1L1 | 5950-00-903-3387 | 1 |
| 1025-60 | 99800 | 2-2-13-1L3 | 5950-00-903-3387 | 1 |
| 1025-60 | 99800 | 2-2-13-1L9 | 5950-00-903-3387 | 1 |
| 1025-60 | 99800 | 2-4-01 L4 | 5950-00-903-3387 | 1 |
| 1025-60 | 99800 | 2-4-01 L5 | 5950-00-903-3387 | 1 |
| 1025-68 | 99800 | 2-2-07 L1 | 5950-00- | 1 |
| 1025-68 | 99800 | 2-2-09 L1 | 5950-00- | 1 |
| 1025-68 | 99800 | 2-2-09 L2 | 5950-00- | 1 |
| 1025-68 | 99800 | 2-4-01 L1 | 5950-00- | 1 |
| 1025-68 | 99800 | 2-4-01 L2 | 5950-00- | 1 |
| 1025-68 | 99800 | 2-4-01 L3 | 5950-00- | 1 |
| 1025-76 | 99800 | 2-2-04-4L402 | 5950-00 | 1 |
| 1025-84 | 99800 | 2-2-13-2L12 | 5950-00- | 1 |
| 1025-84 | 99800 | 2-2-13-2L14 | 5950-00- | 1 |
| 1025-94 | 99800 | 2-2-06 L5 | 5950-00- | 1 |
| 1025-94 | 99800 | 2-2-13-2L8 | 5950-00- | 1 |
| 130521 | F0286 | 2-5 XXX3 | 5940-14-228-6202 | 1 |
| 15P1 | F0115 | 2-2-12 CR11 | 5961-14-216-8430 | 1 |
| 15P1 | F0115 | 2-2-12 CR12 | 5961-14-216-8430 | 1 |
| 15005524 | F0052 | 2-1 | | |
| 15028182 | F0052 | 2-1 A1 | 5895-14- | 1 |
| 15028182 | F0052 | 2-2 A1 | | FM |
| 15028183 | F0052 | 2-2 A11 | 5895-14- | 1 |
| 15028183 | F0052 | 2-2-01 A11 | | FM |
| 15028184 | F0052 | 2-1 A2 | 5895-14- | 1 |
| 15028184 | F0052 | 2-1 A3 | 5895-14- | 1 |
| 15028184 | F0052 | 2-3 A2 | | FM |
| 15028185 | F0052 | 2-2 A12 | 5895-14- | 1 |
| 15028185 | F0052 | 2-2-02 A12 | | FM |
| 15028190 | F0052 | 2-2 A13 | 5895-14- | 1 |
| 15028190 | F0052 | 2-2-03 A13 | | FM |
| 15028191 | F0052 | 2-2 A14 | 5895-14- | 1 |
| 15028191 | F0052 | 2-2-04 A14 | | FM |
| 15028196 | F0052 | 2-2 A15 | 5999-14- | 1 |
| 15028196 | F0052 | 2-2-05 A15 | | FM |
| 15028197 | F0052 | 2-2 A16 | 5999-14- | 1 |
| 15028197 | F0052 | 2-2-06 A16 | | FM |
| 15028198 | F0052 | 2-2-06 Z5 | 5962-14- | 1 |
| 15028199 | F0052 | 2-2-06 Z6 | 5962-14- | 1 |
| 15028200 | F0052 | 2-2 A17 | 5999-14- | 1 |
| 15028200 | F0052 | 2-2-07 A17 | | FM |
| 15028201 | F0052 | 2-2-07 Z2 | 5962-14- | 1 |
| 15028202 | F0052 | 2-2-07 Z22 | 5962-14- | 1 |
| 15028203 | F0052 | 2-2-07 Z3 | 5962-14- | 1 |

| MANUFACTURER'S PART NUMBER | VENDOR CODE | DRAWING ITEM | NATO CODE | Qty |
|-------------------------------|----------------|--------------|-----------|-----|
| 15028204 | F0052 | 2-2-12 Z5 | 5962-14- | 1 |
| 15028205 | F0052 | 2-2 A18 | 5999-14- | 1 |
| 15028209 | F0052 | 2-2-08 Z1 | 5962-14- | 1 |
| 15028210 | F0052 | 2-2-08 Z3 | 5962-14- | 1 |
| 15028211 | F0052 | 2-2-08 Z2 | 5962-14- | 1 |
| 15028212 | F0052 | 2-2 A19 | 5999-14- | 1 |
| 15028212 | F0052 | 2-2-09 A19 | | FM |
| 15028213 | F0052 | 2-2 A20 | 5999-14- | 1 |
| 15028213 | F0052 | 2-2-10 A20 | | FM |
| 15028214 | F0052 | 2-2 A21 | 5999-14- | 1 |
| 15028214 | F0052 | 2-2-11 A21 | | FM |
| 15028215 | F0052 | 2-2 A22 | 5999-14- | 1 |
| 15028215 | F0052 | 2-2-12 A22 | | FM |
| 15028217 | F0052 | 2-2 A23 | 5895-14- | 1 |
| 15028217 | F0052 | 2-2-13 A23 | | FM |
| 15028222 | F0052 | 2-2 A4 | 5895-14- | 1 |
| 15028222 | F0052 | 2-4 A4 | | FM |
| 15028225 | F0052 | 2-1 A5 | 5895-14- | 1 |
| 15028225 | F0052 | 2-5 A5 | | FM |
| 15029419 | F0052 | 2-1 A6 | 5985-14- | 1 |
| 15066400 | F0052 | 2-2-01 L201 | 5950-14- | 1 |
| 15066640 | F0052 | 2-2-08 FL1 | 5915-14- | 1 |
| 15066641 | F0052 | 2-2-08 Y1 | 5955-14- | 1 |
| 15066642 | F0052 | 2-2-09 FL1 | 5915-14- | 1 |
| 15066643 | F0052 | 2-2-09 FL2 | 5915-14- | 1 |
| 15066646 | F0052 | 2-2-04 FL1 | 5915-14- | 1 |
| 15066647 | F0052 | 2-2-04-4Q401 | 5961-14- | 1 |
| 15066648 | F0052 | 2-2-04-3Q303 | 5961-14- | 1 |
| 15066648 | F0052 | 2-2-04-3Q304 | 5961-14- | 1 |
| 15066648 | F0052 | 2-2-04-3Q305 | 5961-14- | 1 |
| 15066648 | F0052 | 2-2-04-3Q306 | 5961-14- | 1 |
| 15066649 | F0052 | 2-2-11 Q11 | 5961-14- | 1 |
| 15066651 | F0052 | 2-2-11 Z3 | 5962-14- | 1 |
| 15066658 | F6205 | 2-2-02-2Y101 | 5955-14- | 1 |
| 15066662 | F0052 | 2-2-13-1Q16 | 5961-14- | 1 |
| 15066662 | F0052 | 2-2-13-1Q17 | 5961-14- | 1 |
| 15066663 | F0052 | 2-2-13-1Q7 | 5961-14- | 1 |
| 15066663 | F0052 | 2-2-13-1Q11 | 5961-14- | 1 |
| 15066664 | F0052 | 2-2-06 Q7 | 5961-14- | 1 |
| 15066665 | F0052 | 2-2-03-1Q5 | 5961-14- | 1 |
| 15066665 | F0052 | 2-2-03-1Q6 | 5961-14- | 1 |
| 15066762 | F0052 | 2-2-05 Z11 | 5962-14- | 1 |
| 15155515 | F0052 | 2-4 A96 | 5310-14- | 2 |
| 15155555 | F0052 | 2-2-02 E1 | 5970-14- | 1 |
| 15155555 | F0052 | 2-2-02 E2 | 5970-14- | 1 |
| 15155555 | F0052 | 2-4 A95 | 5935-14- | 2 |
| 15158985 | F0052 | 2-2-02 A49 | 5355-14- | 1 |
| 15158986 | F0052 | 2-2-01 A26 | 5305-14- | 4 |
| 15158986 | F0052 | 2-2-02 A43 | 5305-14- | 4 |
| 15158986 | F0052 | 2-2-13 A70 | 5305-14- | 4 |
| 15158993 | F0052 | 2-2-02 A44 | 5935-14- | 1 |
| 15158998 | F0052 | 2-2-02 R1 | 5905-14- | 1 |

| MANUFACTURER'S PART NUMBER | VENDOR CODE | DRAWING ITEM | NATO CODE | Qty |
|-------------------------------|----------------|--------------|-----------|-----|
| 15158999 | F0052 | 2-2-02 S1 | 5930-14- | 1 |
| 15159000 | F0052 | 2-2-02 S2 | 5930-14- | 1 |
| 15159001 | F0052 | 2-2-02 S3 | 5930-14- | 1 |
| 15159013 | F0052 | 2-2-02 XXX8 | 5330-14- | 1 |
| 15159052 | F0052 | 2-2-01 A27 | 5340-14- | 1 |
| 15159052 | F0052 | 2-2-02 A45 | 5340-14- | 1 |
| 15159052 | F0052 | 2-3 A88 | 5340-14- | 2 |
| 15159077 | F0052 | 2-2-02-2J101 | 5935-14- | 1 |
| 15159111 | F0052 | 2-2-01-1S301 | 5930-14- | 1 |
| 15159117 | F0052 | 2-2-04 J1 | 5935-14- | 1 |
| 15159127 | F0052 | 2-2-04 A60 | 5365-14- | 7 |
| 15159255 | F0052 | 2-4-01 CR1 | 5961-14- | 1 |
| 15159519 | F0052 | 2-3 J101 | 5935-14- | 1 |
| 15159520 | F0052 | 2-3 A90 | 5310-14- | 1 |
| | F0052 | | | |
| 15159645 | F0052 | 2-2-13 A73 | 5365-14- | 4 |
| 15159646 | F0052 | 2-2-13 A71 | 5310-14- | 4 |
| 15159820 | F0052 | 2-2-04 2A66 | 5895-14- | 1 |
| 15159820 | F0052 | 2-2-04 3A67 | 5895-14- | 1 |
| 15159825 | F0052 | 2-2-01 A42 | 5960-14- | 1 |
| 15159829 | F0052 | 2-2-01 XXX51 | 5310-14- | 1 |
| 15159835 | F0052 | 2-2-01 A31 | 5310-14- | 1 |
| 15159843 | F0052 | 2-2-13-1A79 | 5961-14- | 1 |
| 15159845 | F0052 | 2-2-13-1A82 | 5961-14- | 1 |
| 15159928 | F0052 | 2-2-01 A39 | 5999-14- | 1 |
| 15160355 | F0052 | 2-2-01 A29 | 5935-14- | 1 |
| 15160358 | F0052 | 2-2-01 A30 | 5310-14- | 1 |
| 15160362 | F0052 | 2-2-10 Q24 | 5961-14- | 1 |
| 15160362 | F0052 | 2-2-11 Q2 | 5961-14- | 1 |
| 15160713 | F0052 | 2-2-01-2CR2 | 5961-14- | 1 |
| 15160713 | F0052 | 2-2-01-2CR3 | 5961-14- | 1 |
| 15160713 | F0052 | 2-2-01-2CR4 | 5961-14- | 1 |
| 15160773 | F0052 | 2-2-09 Z1 | 5962-14- | 1 |
| 15160773 | F0052 | 2-2-09 Z2 | 5962-14- | 1 |
| 15160774 | F0052 | 2-2-09 Z3 | 5962-14- | 1 |
| 15161067 | F0052 | 2-2-01 A36 | 5305-14- | 2 |
| 15161068 | F0052 | 2-2-01 A37 | 5305-14- | 4 |
| 15161069 | F0052 | 2-3 A86 | 5305-14- | 4 |
| 15161070 | F0052 | 2-4 A94 | 5305-14- | 2 |
| 15161071 | F0052 | 2-2-01 A33 | 5305-14- | 1 |
| 15161072 | F0052 | 2-2-01 A38 | 5310-14- | 6 |
| 15161073 | F0052 | 2-2 A87 | 5310-14- | 4 |
| 15161248 | F0052 | 2-2-13-1A80 | 5305-14- | 1 |
| 15161248 | F0052 | 2-2-13-1A83 | 5305-14- | 1 |
| 15161249 | F0052 | 2-2-13-1A81 | 5360-14- | 1 |
| 15161249 | F0052 | 2-2-13-1A84 | 5360-14- | 1 |
| 15161445 | F0052 | 2-4 XXX61 | 5330-14- | 1 |
| 15161503 | F0052 | 2-2-01 A40 | 5999-14- | 1 |
| 15161503 | F0052 | 2-2-01-1A40 | | PM |
| 15161520 | F0052 | 2-5 XXX1 | 5895-14- | 1 |
| 15161521 | F0052 | 2-5 XXX4 | 5895-14- | 1 |
| 15162240 | F0052 | 2-2-13 A77 | 5340-14- | 1 |
| 15162242 | F0052 | 2-2-01 A34 | 5895-14- | 1 |

| MANUFACTURER'S PART NUMBER | VENDOR CODE | DRAWING ITEM | NATO CODE | Qty |
|-------------------------------|----------------|---------------|-----------|-----|
| 15162925 | F0052 | 2-2-13 A75 | 5365-14- | 2 |
| 15162926 | F0052 | 2-2-13 A76 | 5365-14- | 2 |
| 15166353 | F0052 | 2-2-01 XXX3 | 5310-14- | 1 |
| 15167446 | F0052 | 2-1 XXX3 | 5985-14- | 1 |
| 15169278 | F0052 | 2-2-13 A74 | 5305-14- | 2 |
| 15444483 | F0052 | 2-4 A97 | 5310-14- | 2 |
| 15446624 | F0052 | 2-1 A7 | 5995-14- | 1 |
| 15446815 | F0052 | 2-2-08 T1 | 5950-14- | 1 |
| 15446816 | F0052 | 2-2-08 T2 | 5950-14- | 1 |
| 15446816 | F0052 | 2-2-08 T3 | 5950-14- | 1 |
| 15446817 | F0052 | 2-2-09 T1 | 5950-14- | 1 |
| 15446821 | F0052 | 2-2-09 T2 | 5950-14- | 1 |
| 15446822 | F0052 | 2-2-09 T3 | 5950-14- | 1 |
| 15446822 | F0052 | 2-2-09 T4 | 5950-14- | 1 |
| 15446828 | F0052 | 2-2-13-1T11 | 5950-14- | 1 |
| 15446828 | F0052 | 2-2-13-1T12 | 5950-14- | 1 |
| 15446829 | F0052 | 2-2-03-1L1 | 5950-14- | 1 |
| 15446829 | F0052 | 2-2-03-1L2 | 5950-14- | 1 |
| 15446829 | F0052 | 2-2-03-1L3 | 5950-14- | 1 |
| 15446829 | F0052 | 2-2-03-1L4 | 5950-14- | 1 |
| 15446829 | F0052 | 2-2-03-1L5 | 5950-14- | 1 |
| 15446830 | F0052 | 2-2-03-1T1 | 5950-14- | 1 |
| 15446831 | F0052 | 2-2-03-1T2 | 5950-14- | 1 |
| 15446855 | F0052 | 2-2-04-2L203 | 5950-14- | 1 |
| 15446856 | F0052 | 2-2-04-2L215 | 5950-14- | 1 |
| 15446857 | F0052 | 2-2-04-2T201 | 5950-14- | 1 |
| 15446857 | F0052 | 2-2-04-3T307 | 5950-14- | 1 |
| 15446858 | F0052 | 2-2-04-2T202 | 5950-14- | 1 |
| 15446858 | F0052 | 2-2-04-3T305 | 5950-14- | 1 |
| 15446859 | F0052 | 2-2-04-2T203 | 5950-14- | 1 |
| 15446860 | F0052 | 2-2-04-2T204 | 5950-14- | 1 |
| 15446872 | F0052 | 2-2-01 A32 | 5355-14- | 1 |
| 15446872 | F0052 | 2-2-02 A46 | 5355-14- | 4 |
| 15446873 | F0052 | 2-2-02 XXX10 | 5330-14- | 1 |
| 15446873 | F0052 | 2-2-13 XXX102 | 5330-14- | 1 |
| 15446879 | F0052 | 2-2-04 A58 | 5895-14- | 1 |
| 15446880 | F0052 | 2-2-04 A59 | 5895-14- | 1 |
| 15446885 | F0052 | 2-2-04-3L311 | 5950-14- | 1 |
| 15446886 | F0052 | 2-2-04-3L312 | 5950-14- | 1 |
| 15446886 | F0052 | 2-2-04-3L313 | 5950-14- | 1 |
| 15446888 | F0052 | 2-2-04-3L314 | 5950-14- | 1 |
| 15446889 | F0052 | 2-2-04-3T301 | 5950-14- | 1 |
| 15446889 | F0052 | 2-2-04-3T302 | 5950-14- | 1 |
| 15446890 | F0052 | 2-2-04-3T303 | 5950-14- | 1 |
| 15446891 | F0052 | 2-2-04-3T304 | 5950-14- | 1 |
| 15446893 | F0052 | 2-2-04-3T306 | 5950-14- | 1 |
| 15446896 | F0052 | 2-3 BT1 | 5895-14- | 1 |
| 15446918 | F0052 | 2-2-01-2L1 | 5950-14- | 1 |
| 15446919 | F0052 | 2-2-01-2L2 | 5950-14- | 1 |
| 15446920 | F0052 | 2-2-01-2L3 | 5950-14- | 1 |
| 15446921 | F0052 | 2-2-01-2L4 | 5950-14- | 1 |
| 15446922 | F0052 | 2-2-01-2L5 | 5950-14- | 1 |
| 15446922 | F0052 | 2-2-01-2L6 | 5950-14- | 1 |
| 15446933 | F0052 | 2-2-01-2T1 | 5950-14- | 1 |
| 15446937 | F0052 | 2-2-01 L203 | 5950-14- | 1 |
| 15446955 | F0052 | 2-2-01 L202 | 5950-14- | 1 |

| MANUFACTURER'S PART NUMBER | VENDOR CODE | DRAWING ITEM | NATO CODE | Qty |
|-------------------------------|----------------|--------------|-----------|-----|
| 15446992 | F0052 | 2-2-04-4L405 | 5950-14- | 1 |
| 15446993 | F0052 | 2-2-04-4L406 | 5950-14- | 1 |
| 15446993 | F0052 | 2-2-04-4L411 | 5950-14- | 1 |
| 15446995 | F0052 | 2-2-06 L1 | 5950-14- | 1 |
| 15446996 | F0052 | 2-2-06 L2 | 5950-14- | 1 |
| 15446997 | F0052 | 2-2-13-2T1 | 5950-14- | 1 |
| 15446998 | F0052 | 2-2-13-1T2 | 5950-14- | 1 |
| 15446999 | F0052 | 2-2-13-1T3 | 5950-14- | 1 |
| 15447000 | F0052 | 2-2-13-2T4 | 5950-14- | 1 |
| 15447001 | F0052 | 2-2-13-1T5 | 5950-14- | 1 |
| 15447002 | F0052 | 2-2-13-1T6 | 5950-14- | 1 |
| 15447003 | F0052 | 2-2-13-2T7 | 5950-14- | 1 |
| 15447045 | F0052 | 2-3 XXX24 | 5330-14- | 1 |
| 15447064 | F0052 | 2-2-01 XXX30 | 5330-14- | 1 |
| 15447069 | F0052 | 2-3 J102 | 5935-14- | 1 |
| 15447182 | F0052 | 2-2-02 A47 | 5355-14- | 4 |
| 15447254 | F0052 | 2-2-13 J101 | 5935-14- | 1 |
| 15447264 | F0052 | 2-2-03 A54 | 5895-14- | 1 |
| 15447317 | F0052 | 2-2-01 A28 | 5340-14- | 1 |
| 15447320 | F0052 | 2-2-06 A68 | 1270-14- | 1 |
| 15447321 | F0052 | 2-2-06 A69 | 1270-14- | 1 |
| 15447331 | F0052 | 2-4 A98 | 5895-14- | 1 |
| 15447333 | F0052 | 2-4 A93 | 5895-14- | 1 |
| 15447467 | F0052 | 2-2-02 A48 | 5355-14- | 1 |
| 15447470 | F0052 | 2-2-01 A41 | 5999-14- | 1 |
| 15447470 | F0052 | 2-2-01-2A41 | | PM |
| 15447472 | F0052 | 2-2-02 A52 | 5999-14- | 1 |
| 15447472 | F0052 | 2-2-02-1A52 | | PM |
| 15447473 | F0052 | 2-2-02 A53 | 5999-14- | 1 |
| 15447473 | F0052 | 2-2-02-2A53 | | PM |
| 15447474 | F0052 | 2-2-03 A55 | 5999-14- | 1 |
| 15447474 | F0052 | 2-2-03-1A55 | | PM |
| 15447476 | F0052 | 2-2-04 A61 | 5999-14- | 1 |
| 15447476 | F0052 | 2-2-04-1A61 | | PM |
| 15447477 | F0052 | 2-2-04 A62 | 5999-14- | 1 |
| 15447477 | F0052 | 2-2-04-2A62 | | PM |
| 15447478 | F0052 | 2-2-04 A63 | 5999-14- | 1 |
| 15447478 | F0052 | 2-2-04-3A63 | | PM |
| 15447479 | F0052 | 2-2-04 A64 | 5999-14- | 1 |
| 15447479 | F0052 | 2-2-04-4A64 | | PM |
| 15447480 | F0052 | 2-4 A99 | 5999-14- | 1 |
| 15447480 | F0052 | 2-4-01 A99 | | PM |
| 15447562 | F0052 | 2-2 A24 | 5895-14- | 1 |
| 15448540 | F0052 | 2-2-01-1T301 | 5950-14- | 1 |
| 15448848 | F0052 | 2-2 A92 | 5895-14- | 1 |
| 15622384 | F0052 | 2-3 A89 | 5895-14- | 1 |
| 15622390 | F0052 | 2-2 A25 | 5895-14- | 1 |
| 15622529 | F0052 | 2-3 A85 | 5895-14- | 1 |
| 15622677 | F0052 | 2-2-03 A56 | 5895-14- | 1 |
| 15623085 | F0052 | 2-2-02 A50 | 5895-14- | 1 |
| 15623192 | F0052 | 2-2-04 A57 | 5895-14- | 1 |
| 15623561 | F0052 | 2-2-13 A72 | 5999-14- | 1 |
| 15623561 | F0052 | 2-2-13-1A72 | | PM |

| MANUFACTURER'S PART NUMBER | VENDOR CODE | DRAWING ITEM | NATO CODE | Qty |
|-------------------------------|----------------|--------------|------------------|-----|
| 15623561 | F0052 | 2-2-13-2A72 | | PM |
| 15704666 | F0052 | 2-2-02 A51 | 5895-14- | 1 |
| 15704671 | F0052 | 2-2-04 A65 | 5895-14- | 1 |
| 15704678 | F0052 | 2-2-13 A78 | 5961-14- | 1 |
| 15704695 | F0052 | 2-2-01 A35 | 5895-14- | 1 |
| 17-17251-30 | F0537 | 2-2-02 S5 | 5930-14- | 1 |
| 171725130 | F0537 | 2-4 S1 | 5930-14- | 1 |
| 2N1711-1 | F0115 | 2-2-13-2Q1 | 5961-14-282-7203 | 1 |
| 2N1711-1 | F0115 | 2-2-13-2Q15 | 5961-14-282-7203 | 1 |
| 2N2219 | F0115 | 2-2-01-2Q11 | 5961-14-264-1834 | 1 |
| 2N2219 | F0115 | 2-2-01-2Q12 | 5961-14-264-1834 | 1 |
| 2N2219 | F0115 | 2-2-10 Q3 | 5961-14-264-1834 | 1 |
| 2N2222 | F0115 | 2-2-01-2Q2 | 5961-14-232-0812 | 1 |
| 2N2222 | F0115 | 2-2-01-2Q3 | 5961-14-232-0812 | 1 |
| 2N2222 | F0115 | 2-2-01-2Q6 | 5961-14-232-0812 | 1 |
| 2N2222 | F0115 | 2-2-01-2Q7 | 5961-14-232-0812 | 1 |
| 2N2222 | F0115 | 2-2-01-2Q13 | 5961-14-232-0812 | 1 |
| 2N2222 | F0115 | 2-2-01-2Q14 | 5961-14-232-0812 | 1 |
| 2N2222 | F0115 | 2-2-04-2Q201 | 5961-14-232-0812 | 1 |
| 2N2222 | F0115 | 2-2-05 Q2 | 5961-14-232-0812 | 1 |
| 2N2222A1 | F0115 | 2-2-06 Q2 | 5961-14-297-1510 | 1 |
| 2N2222A1 | F0115 | 2-2-06 Q3 | 5961-14-297-1510 | 1 |
| 2N2222 | F0115 | 2-2-06 Q12 | 5961-14-232-0812 | 1 |
| 2N2222 | F0115 | 2-2-06 Q13 | 5961-14-232-0812 | 1 |
| 2N2222 | F0115 | 2-2-08 Q1 | 5961-14-232-0812 | 1 |
| 2N2222 | F0115 | 2-2-09 Q3 | 5961-14-232-0812 | 1 |
| 2N2222 | F0115 | 2-2-09 Q4 | 5961-14-232-0812 | 1 |
| 2N2222 | F0115 | 2-2-09 Q5 | 5961-14-232-0812 | 1 |
| 2N2222 | F0115 | 2-2-09 Q6 | 5961-14-232-0812 | 1 |
| 2N2222 | F0115 | 2-2-09 Q7 | 5961-14-232-0812 | 1 |
| 2N2222 | F0115 | 2-2-09 Q12 | 5961-14-232-0812 | 1 |
| 2N2222 | F0115 | 2-2-09 Q13 | 5961-14-232-0812 | 1 |
| 2N2222 | F0115 | 2-2-10 Q11 | 5961-14-232-0812 | 1 |
| 2N2222 | F0115 | 2-2-10 Q12 | 5961-14-232-0812 | 1 |
| 2N2222 | F0115 | 2-2-10 Q23 | 5961-14-232-0812 | 1 |
| 2N2222 | F0115 | 2-2-11 Q5 | 5961-14-232-0812 | 1 |
| 2N2222 | F0115 | 2-2-11 Q7 | 5961-14-232-0812 | 1 |
| 2N2222A1 | F0115 | 2-2-11 Q8 | 5961-14-297-1510 | 1 |
| 2N2222 | F0115 | 2-2-11 Q9 | 5961-14-232-0812 | 1 |
| 2N2222 | F0115 | 2-2-11 Q12 | 5961-14-232-0812 | 1 |
| 2N2222 | F0115 | 2-2-11 Q13 | 5961-14-232-0812 | 1 |
| 2N2222 | F0115 | 2-2-11 Q17 | 5961-14-232-0812 | 1 |
| 2N2222 | F0115 | 2-2-12 Q3 | 5961-14-232-0812 | 1 |
| 2N2222 | F0115 | 2-2-12 Q5 | 5961-14-232-0812 | 1 |
| 2N2222 | F0115 | 2-2-12 Q6 | 5961-14-232-0812 | 1 |
| 2N2222 | F0115 | 2-2-12 Q9 | 5961-14-232-0812 | 1 |
| 2N2222 | F0115 | 2-2-12 Q14 | 5961-14-232-0812 | 1 |
| 2N2222 | F0115 | 2-2-12 Q15 | 5961-14-232-0812 | 1 |
| 2N2222 | F0115 | 2-2-12 Q22 | 5961-14-232-0812 | 1 |
| 2N2222 | F0115 | 2-2-12 Q23 | 5961-14-232-0812 | 1 |
| 2N2222 | F0115 | 2-2-12 Q25 | 5961-14-232-0812 | 1 |
| 2N2222 | F0115 | 2-2-13-2Q5 | 5961-14-232-0812 | 1 |
| 2N2222A1 | F0115 | 2-2-10 Q13 | 5961-14-297-1510 | 1 |

| MANUFACTURER'S PART NUMBER | VENDOR CODE | DRAWING ITEM | NATO CODE | Qty |
|-------------------------------|----------------|--------------|------------------|-----|
| 2N2222A1 | F0115 | 2-2-10 Q14 | 5961-14-297-1510 | 1 |
| 2N2484-1 | F0115 | 2-2-10 Q4 | 5961-14-297-1463 | 1 |
| 2N2484-1 | F0115 | 2-2-10 Q7 | 5961-14-297-1463 | 1 |
| 2N2484-1 | F0115 | 2-2-10 Q21 | 5961-14-297-1463 | 1 |
| 2N2484-1 | F0115 | 2-2-11 Q4 | 5961-14-297-1463 | 1 |
| 2N2484-1 | F0115 | 2-4-01 Q1 | 5961-14-297-1463 | 1 |
| 2N2891 | F0115 | 2-2-03-1Q2 | 5961-14-246-8601 | 1 |
| 2N2905 | F0115 | 2-2-13-2Q13 | 5961-14-249-8551 | 1 |
| 2N2905-1 | F0115 | 2-2-01-2Q4 | 5961-14-302-5989 | 1 |
| 2N2905-1 | F0115 | 2-2-01-2Q5 | 5961-14-302-5989 | 1 |
| 2N2905-1 | F0115 | 2-2-10 Q2 | 5961-14-302-5989 | 1 |
| 2N2907 | F0114 | 2-2-01-2Q1 | 5961-14-231-2546 | 1 |
| 2N2907 | F0115 | 2-2-03-1Q1 | 5961-14-231-2546 | 1 |
| 2N2907 | F0115 | 2-2-03-1Q3 | 5961-14-231-2546 | 1 |
| 2N2907 | F0115 | 2-2-03-1Q4 | 5961-14-231-2546 | 1 |
| 2N2907 | F0114 | 2-2-05 Q1 | 5961-14-431-2546 | 1 |
| 2N2907 | F0115 | 2-2-06 Q1 | 5961-14-231-2546 | 1 |
| 2N2907 | F0115 | 2-2-06 Q11 | 5961-14-231-2546 | 1 |
| 2N2907 | F0115 | 2-2-09 Q11 | 5961-14-231-2546 | 1 |
| 2N2907 | F0115 | 2-2-10 Q5 | 5961-14-231-2546 | 1 |
| 2N2907 | F0115 | 2-2-10 Q6 | 5961-14-231-2546 | 1 |
| 2N2907 | F0115 | 2-2-10 Q16 | 5961-14-231-2546 | 1 |
| 2N2907 | F0115 | 2-2-10 Q22 | 5961-14-231-2546 | 1 |
| 2N2907 | F0115 | 2-2-11 Q3 | 5961-14-231-2546 | 1 |
| 2N2907 | F0115 | 2-2-11 Q6 | 5961-14-231-2546 | 1 |
| 2N2907 | F0115 | 2-2-11 Q15 | 5961-14-231-2546 | 1 |
| 2N2907 | F0115 | 2-2-11 Q16 | 5961-14-231-2546 | 1 |
| 2N2907 | F0115 | 2-2-11 Q21 | 5961-14-231-2546 | 1 |
| 2N2907 | F0115 | 2-2-12 Q1 | 5961-14-231-2546 | 1 |
| 2N2907 | F0115 | 2-2-12 Q2 | 5961-14-231-2546 | 1 |
| 2N2907 | F0115 | 2-2-12 Q4 | 5961-14-231-2546 | 1 |
| 2N2907 | F0115 | 2-2-12 Q7 | 5961-14-231-2546 | 1 |
| 2N2907 | F0115 | 2-2-12 Q8 | 5961-14-231-2546 | 1 |
| 2N2907 | F0115 | 2-2-12 Q11 | 5961-14-231-2546 | 1 |
| 2N2907 | F0115 | 2-2-12 Q12 | 5961-14-231-2546 | 1 |
| 2N2907 | F0115 | 2-2-12 Q13 | 5961-14-231-2546 | 1 |
| 2N2907 | F0115 | 2-2-12 Q16 | 5961-14-231-2546 | 1 |
| 2N2907 | F0115 | 2-2-12 Q17 | 5961-14-231-2546 | 1 |
| 2N2907 | F0115 | 2-2-12 Q24 | 5961-14-231-2546 | 1 |
| 2N2907 | F0115 | 2-2-12 Q26 | 5961-14-231-2546 | 1 |
| 2N2907 | F0115 | 2-2-12 Q27 | 5961-14-231-2546 | 1 |
| 2N2907 | F0115 | 2-2-12 Q31 | 5961-14-231-2546 | 1 |
| 2N2907 | F0115 | 2-2-12 Q32 | 5961-14-231-2546 | 1 |
| 2N2907 | F0115 | 2-2-13-2Q10 | 5961-14-231-2546 | 1 |
| 2N2907 | F0115 | 2-2-13-2Q12 | 5961-14-231-2546 | 1 |
| 2N3866 | F4204 | 2-2-13-1Q4 | 5961-14-277-1679 | 1 |
| 2N4034 | F3223 | 2-2-04-3Q301 | 5961-14-289-8914 | 1 |
| 2N4424 | F4601 | 2-2-13-1Q2 | 5961-14- | 1 |
| 2N5109 | 04713 | 2-2-04-4Q403 | 5961-00- | 1 |
| 2N5160 | 04713 | 2-2-13-1Q3 | 5961-00- | 1 |
| 2N5179 | 86684 | 2-2-04-2Q203 | 5961-00- | 1 |
| 2N5179 | 86684 | 2-2-04-2Q205 | 5961-00- | 1 |
| 2N5179 | 86684 | 2-2-04-2Q206 | 5961-00- | 1 |

| MANUFACTURER'S PART NUMBER | VENDOR CODE | - DRAWING ITEM | NATO CODE | Qty |
|-------------------------------|----------------|----------------|------------------|-----|
| 2N5179 | 86684 | 2-2-04-2Q207 | 5961-00- | 1 |
| 2N5179 | 86684 | 2-2-04-3Q302 | 5961-00- | 1 |
| 2N736B | F4601 | 2-2-12 Q21 | 5961-14-264-1827 | 1 |
| 2N918-1 | F0115 | 2-2-06 Q6 | 5961-14- | 1 |
| 2N918-1 | F0115 | 2-2-09 Q1 | 5961-14- | 1 |
| 2N918-1 | F0115 | 2-2-09 Q2 | 5961-14- | 1 |
| 20X2FN40 | F0235 | 2-2-01 XXX1 | 5330-14- | 1 |
| 22X2FN40 | F0235 | 2-3 XXX18 | 5330-14- | 1 |
| 26800 | 78526 | 2-2-13-2L13 | 5950-00- | 1 |
| 3B4-1X2LONG25 | F4204 | 2-2-13 L121 | 5950-14- | 1 |
| 3N159 | 86684 | 2-2-04-2Q202 | 5961-00- | 1 |
| 3N159 | 86684 | 2-2-04-2Q204 | 5961-00- | 1 |
| 3N159 | 86684 | 2-2-04-4Q402 | 5961-00- | 1 |
| 4-9X1-9FN40 | F0235 | 2-2-01 XXX4 | 5330-14- | 1 |
| 44-12X2-62FN40 | F0235 | 2-2-01 XXX19 | 5330-14- | 1 |
| 5STRIK004-2-5-5N033 | D8532 | 2-2-08 C1 | 5910-12- | 1 |
| 5STRIK004-2-5-5N033 | D8532 | 2-2-08 C13 | 5910-12- | 1 |
| 5STRIK003-3-5-11N470 | D8532 | 2-2-06 C31 | 5910-12- | 1 |
| 5STRIK004-3-8N075 | D8532 | 2-2-04-2C235 | 5910-12- | 1 |
| 5STRIK004-3-8N075 | D8532 | 2-2-08 C15 | 5910-12- | 1 |
| 5STRIK004-4-5-15N750 | D8532 | 2-2-09 C25 | 5910-12- | 1 |
| 5STRIK004-6-22N1500 | D8532 | 2-2-04-2C246 | 5910-12- | 1 |
| 5STRIK003-6-22N1500 | D8532 | 2-2-04-3C306 | 5910-12- | 1 |
| 5STRIK003-6-22N1500 | D8532 | 2-2-04-3C344 | 5910-12- | 1 |
| 5STRIK004-6-22N1500 | D8532 | 2-2-08 C2 | 5910-12- | 1 |
| 520201-00-24 | F0349 | 2-2-02-2XXX101 | 5310-14- | 2 |
| 520201-00-24 | F0349 | 2-2-04 XXX11 | 5310-14- | 17 |
| 520251-00-24 | F0349 | 2-2 XXX8 | 5310-14- | 3 |
| 520251-00-24 | F0349 | 2-2-03 XXX2 | 5310-14- | 4 |
| 520251-00-24 | F0349 | 2-2-04 XXX13 | 5310-14- | 1 |
| 520251-00-24 | F0349 | 2-2-13 XXX157 | 5310-14- | 4 |
| 520301-00-24 | F0349 | 2-2 XXX1 | 5305-14 | 2 |
| 520301-00-24 | F0349 | 2-2 XXX3 | 5310-14- | 2 |
| 520301-00-24 | F0349 | 2-2 XXX5 | 5310-14- | 2 |
| 520301-00-24 | F0349 | 2-2-13 XXX14 | 5310-14- | 4 |
| 520301-00-24 | F0349 | 2-2-13 XXX136 | 5310-14- | 2 |
| 520301-00-24 | F0349 | 2-3 XXX6 | 5310-14- | 4 |
| 520301-00-24 | F0349 | 2-4 XXX57 | 5310-14- | 4 |
| 520401-00-24 | F0749 | 2-2-02 XXX2 | 5310-14- | 4 |
| 53834 | F6205 | 2-2-02-1L7 | 5950-14- | 1 |
| 53862 | F6205 | 2-2-02 L4 | 5950-14- | 1 |
| 53862 | F6205 | 2-2-02 L5 | 5950-14- | 1 |
| 53862 | F6205 | 2-2-02-1L1 | 5950-14- | 1 |
| 53862 | F6205 | 2-2-02-1L2 | 5950-14- | 1 |
| 53862 | F6205 | 2-2-02-1L3 | 5950-14- | 1 |
| 55054 | F6205 | 2-2-02-1L6 | 5950-14- | 1 |
| 562GB06E10-08P | K1100 | 2-5 P1 | 5935-14- | 1 |
| 562GB07E10-08S | K1100 | 2-2-02 J1 | 5935-12- | 1 |
| 562GB07E10-08S | K1100 | 2-2-02 J2 | 5935-12- | 1 |
| 562GB07E10-08S | K1100 | 2-4 J1 | 5935-14- | 1 |
| 566-00HS1KK | F1379 | 2-2-04-2R214 | 5905-14- | 1 |
| 566-00HS1KK | F1379 | 2-2-09 R54 | 5905-14- | 1 |

| MANUFACTURER'S PART NUMBER | VENDOR CODE | DRAWING ITEM | NATO CODE | Qty |
|-------------------------------|----------------|---------------|------------------|-----|
| 566-00HS1KK | F1379 | 2-2-11 R26 | 5905-14- | 1 |
| 566-00HS1KK | F1379 | 2-2-11 R57 | 5905-14- | 1 |
| 566-00HS10KK | F1379 | 2-2-10 R88 | 5905-14- | 1 |
| 566-00HS2KK | F1379 | 2-2-12 R57 | 5905-14- | 1 |
| 566-00HS2KK | F1379 | 2-2-12 R83 | 5905-14- | 1 |
| 566-00HS5KK | F1379 | 2-2-11 R44 | 5905-14- | 1 |
| 566-00HS500UK | F1379 | 2-2-04-2R231 | 5905-14- | 1 |
| 566-00HS500UK | F1379 | 2-2-12 R51 | 5905-14- | 1 |
| 570401-70 | F0349 | 2-4 XXX67 | 5310-14- | 2 |
| 6-4X1-9FN40 | F0235 | 2-2-02 XXX16 | 5330-14- | 1 |
| 7-2X1-9FN40 | F0235 | 2-2-13 XXX160 | 5330-14- | 4 |
| 7STRIK002-7-35N1500 | D8532 | 2-2-04-2C222 | 5910-12-155-6822 | 1 |
| 7STRIK002-7-35N1500 | D8532 | 2-2-04-2C223 | 5910-12-155-6822 | 1 |
| 7144-0060A070T | F2600 | 2-2-02 XXX9 | 5340-14-214-8270 | 1 |
| 725-726 | F1119 | 2-3 XXX15 | 5920-14- | 1 |
| 8313A | F0318 | 2-2-01-2TP5 | 5935-14- | 1 |
| 8313A | F0318 | 2-2-01-2TP8 | 5935-14- | 1 |
| 9DM9611-37PA231 | F1931 | 2-2-13 J103 | 5935-14- | 1 |

| MANUFACTURER'S PART NUMBER | VENDOR CODE | DRAWING ITEM | NATO CODE | Qty |
|-------------------------------|----------------|---------------|------------------|-----|
| BA152A | F4601 | 2- -04-3CR301 | 5961-14 | 1 |
| BA152A | F4601 | 2- -04-3CR302 | 5961-14 | 1 |
| BA152A | F4601 | 2-2-04-3CR307 | 5961-14 | 1 |
| BA152A | F4601 | 2-2-04-3CR311 | 5961-14 | 1 |
| BA152A | F4601 | 2-2-04-3CR312 | 5961-14 | 1 |
| BZX83C3V3 | F4601 | 2-2-10 CR4 | 5961-14 | 1 |
| BZX83C3V3 | F4601 | 2-4-01 CR2 | 5961-14 | 1 |
| CD4013AE | 86684 | 2-2-06 Z1 | 5962-00 | 1 |
| CD4013AE | 86684 | 2-2-06 Z2 | 5962-00 | 1 |
| CE1-2C3U9CU | F0115 | 2-2-04-1C107 | 5910-14-202-4311 | 1 |
| CE13-3C100UJ | F0115 | 2-2-04-3C337 | 5910-14-266-0944 | 1 |
| CE13-3C100UK | F0115 | 2-2-06 C24 | 5910-14-040-0751 | 1 |
| CE13-3C150UK | F0115 | 2-2-04-3C335 | 5910-14-279-7082 | 1 |
| CE13-3C18UK | F0115 | 2-2-04-3C331 | 5910-14-277-6790 | 1 |
| CE13-3C18UK | F0115 | 2-2-04-3C332 | 5910-14-277-6790 | 1 |
| CE13-3C180UK | F0115 | 2-2-04-3C336 | 5910-14-257-8534 | 1 |
| CE13-3C47UK | F0115 | 2-2-04-1C106 | 5910-14 | 1 |
| CE13-3C560UK | F0115 | 2-2-10 C61 | 5910-14 | 1 |
| CE13-3C82UK | F0115 | 2-2-10 C48 | 5910-14 | 1 |
| CE2-3-22UM | F0115 | 2-2-06 C48 | 5910-14 | 1 |
| CE3-3H33UK | F0115 | 2-2-06 C32 | 5910-14-202-0831 | 1 |
| CHP110-22UK | F0350 | 2-2-06 C26 | 5910-14 | 1 |
| CHP110-22UK | F0350 | 2-2-06 C33 | 5910-14 | 1 |
| CLU904-120UK | F0350 | 2-2-06 C35 | 5910-14-258-7658 | 1 |
| CLU905-180UJ | F0350 | 2-2-06 C27 | 5910-14-295-0371 | 1 |
| CN2-5-220UM | F0115 | 2-2-06 C46 | 5910-14 | 1 |
| CN2-5-33UM | F0115 | 2-2-06 C45 | 5910-14 | 1 |
| CN2-5-47UM | F0115 | 2-2-06 C47 | 5910-14-268-4482 | 1 |
| CN2-5-68UM | F0115 | 2-2-06 C1 | 5910-14 | 1 |
| CN2-5-68UM | F0115 | 2-2-06 C52 | 5910-14 | 1 |
| CN31-5-1KM | F0115 | 2-2-06 C13 | 5910-14-279-7128 | 1 |
| CN31-5-10KK | F0115 | 2-2-06 C17 | 5910-14-258-7665 | 1 |
| CN31-5-10KM | F0115 | 2-2-06 C6 | 5910-14-264-2759 | 1 |
| CN31-5-2K2M | F0115 | 2-2-10 C44 | 5910-14-264-2796 | 1 |
| CN31-5-2K2M | F0115 | 2-2-06 C102 | 5910-14-264-2796 | 1 |
| CN31-5-2K2M | F0115 | 2-2-06 C104 | 5910-14-264-2796 | 1 |
| CN31-5-3K3M | F0115 | 2-2-04-4C401 | 5910-14-292-6793 | 1 |
| CN31-5-33KK | F0115 | 2-2-06 C5 | 5910-14-286-3658 | 1 |
| CN31-5-470UK | F0115 | 2-2-06 C16 | 5910-14-040-2305 | 1 |
| CN31-5-470UM | F0115 | 2-2-04-3C343 | 5910-14-256-6972 | 1 |
| CN31-5-470UM | F0115 | 2-2-04-3C345 | 5910-14-256-6972 | 1 |
| CN31-5-470UM | F0115 | 2-2-04-3C346 | 5910-14-256-6972 | 1 |
| CN31-5-470UM | F0115 | 2-2-04-3C347 | 5910-14-256-6972 | 1 |
| CN31-5-470UM | F0115 | 2-2-04-4C403 | 5910-14-256-6972 | 1 |
| CN31-5-470UM | F0115 | 2-2-04-4C407 | 5910-14-256-6972 | 1 |
| CN31-5-470UM | F0115 | 2-2-04-4C411 | 5910-14-256-6972 | 1 |
| CN31-5-470UM | F0115 | 2-2-04-4C412 | 5910-14-256-6972 | 1 |
| CN31-5-470UM | F0115 | 2-2-04-4C414 | 5910-14-256-6972 | 1 |
| CN31-5-470UM | F0115 | 2-2-04-4C415 | 5910-14-256-6972 | 1 |
| CN31-5-470UM | F0115 | 2-2-06 C23 | 5910-14-256-6972 | 1 |
| CN31-5-470UM | F0115 | 2-2-06 C25 | 5910-14-256-6972 | 1 |
| CN31-5-470UM | F0115 | 2-2-06 C36 | 5910-14-256-6972 | 1 |

| MANUFACTURER'S PART NUMBER | VENDOR CODE | DRAWING ITEM | NATO CODE | Qty |
|-------------------------------|----------------|--------------|------------------|-----|
| CTS13P10V4M7M | F0115 | 2-2-10 C18 | 5910-14-214-4336 | 1 |
| CTS13P10V4M7M | F0115 | 2-2-10 C36 | 5910-14-214-4336 | 1 |
| CTS13P10V4M7M | F0115 | 2-2-10 C46 | 5910-14-214-4336 | 1 |
| CTS13P10V4M7M | F0115 | 2-2-10 C47 | 5910-14-214-4336 | 1 |
| CTS13P16V22MM | F0115 | 2-2-06 C12 | 5910-14-220-5945 | 1 |
| CTS13P16V22MM | F0115 | 2-2-06 C42 | 5910-14-220-5945 | 1 |
| CTS13P16V22MM | F0115 | 2-2-10 C27 | 5910-14-220-5945 | 1 |
| CTS13P16V3M3M | F0115 | 2-2-10 C6 | 5910-14-231-9655 | 1 |
| CTS13P20V100KM | F0115 | 2-2-10 C54 | 5910-14 | 1 |
| CTS13P20V100KM | F0115 | 2-2-10 C56 | 5910-14 | 1 |
| CTS13P20V15MM | F0115 | 2-2-06 C7 | 5910-14-222-4464 | 1 |
| CTS13P20V2M2M | F0115 | 2-2-10 C12 | 5910-14-222-3712 | 1 |
| CTS13P20V2M2M | F0115 | 2-2-10 C13 | 5910-14-222-3712 | 1 |
| CTS13P20V2M2M | F0115 | 2-2-10 C21 | 5910-14-222-3712 | 1 |
| CTS13P20V2M2M | F0115 | 2-2-10 C24 | 5910-14-222-3712 | 1 |
| CTS13P20V2M2M | F0115 | 2-2-10 C33 | 5910-14-222-3712 | 1 |
| CTS13P20V2M2M | F0115 | 2-2-10 C35 | 5910-14-222-3712 | 1 |
| CTS13P20V2M2M | F0115 | 2-2-10 C41 | 5910-14-222-3712 | 1 |
| CTS13P20V2M2M | F0115 | 2-4-01 C2 | 5910-14-222-3712 | 1 |
| CTS13P25V10MM | F0115 | 2-2-10 C7 | 5910-14-222-4476 | 1 |
| CTS13P25V10MM | F0115 | 2-4-01 C5 | 5910-14-222-4476 | 1 |
| CTS13P25V10MM | F0115 | 2-4-01 C8 | 5910-14-222-4476 | 1 |
| CTS13P35V1MM | F0115 | 2-2-10 C11 | 5910-14-214-4356 | 1 |
| CTS13P35V1MM | F0115 | 2-2-10 C19 | 5910-14-214-4356 | 1 |
| CTS13P35V1MM | F0115 | 2-2-10 C23 | 5910-14-214-4356 | 1 |
| CTS13P35V1MM | F0115 | 2-2-10 C45 | 5910-14-214-4356 | 1 |
| CTS13P6V100MM | F0115 | 2-4-01 C3 | 5910-14-222-4441 | 1 |
| CTS13P6V47MM | F0115 | 2-2-10 C8 | 5910-14-213-7076 | 1 |
| CTS13P6V47MM | F0115 | 2-2-10 C37 | 5910-14-213-7076 | 1 |
| DQX704-1KM | F0350 | 2-2-10 C16 | 5910-14-252-4963 | 1 |
| DQX704-470UM | F0350 | 2-2-04-3C303 | 5910-14-040-3462 | 1 |
| DQX704-470UM | F0350 | 2-2-04-3C311 | 5910-14-040-3462 | 1 |
| DQX704-470UM | F0350 | 2-2-04-3C312 | 5910-14-040-3462 | 1 |
| DQX704-470UM | F0350 | 2-2-04-3C313 | 5910-14-040-3462 | 1 |
| DQX704-470UM | F0350 | 2-2-04-3C315 | 5910-14-040-3462 | 1 |
| DQX704-470UM | F0350 | 2-2-04-3C327 | 5910-14-040-3462 | 1 |
| DQX704-470UM | F0350 | 2-2-04-3C333 | 5910-14-040-3462 | 1 |
| DQX704-470UM | F0350 | 2-2-04-3C334 | 5910-14-040-3462 | 1 |
| DQX704-470UM | F0350 | 2-2-04-3C341 | 5910-14-040-3462 | 1 |
| DQX704-470UM | F0350 | 2-2-04-3C342 | 5910-14-040-3462 | 1 |
| DQX704-470UM | F0350 | 2-2-04-3C351 | 5910-14-040-3462 | 1 |
| DQX704-470UM | F0350 | 2-2-04-3C352 | 5910-14-040-3462 | 1 |
| DQX704-470UM | F0350 | 2-2-04-3C354 | 5910-14-040-3462 | 1 |
| DQX704-470UM | F0350 | 2-2-04-3C355 | 5910-14-040-3462 | 1 |
| DQX704-470UM | F0350 | 2-2-04-3C361 | 5910-14-040-3462 | 1 |
| DQX704-470UM | F0350 | 2-2-04-3C363 | 5910-14-040-3462 | 1 |
| DQX704-470UM | F0350 | 2-2-04-3C365 | 5910-14-040-3462 | 1 |
| DQX704-470UM | F0350 | 2-2-04-3C366 | 5910-14-040-3462 | 1 |
| DQX704-470UM | F0350 | 2-2-04-3C367 | 5910-14-040-3462 | 1 |
| DQX704-470UM | F0350 | 2-2-04-4C406 | 5910-14-040-3462 | 1 |
| DQX704-470UM | F0350 | 2-2-04-4C416 | 5910-12-040-3462 | 1 |
| DQX704-470UM | F0350 | 2-2-04-4C421 | 5910-14-040-3462 | 1 |

| MANUFACTURER'S PART NUMBER | VENDOR CODE | DRAWING ITEM | NATO CODE | Qty |
|-------------------------------|----------------|---------------|------------------|-----|
| DQX704-470UM | F0350 | 2-2-04-4C422 | 5910-14-040-3462 | 1 |
| DQX704-470UM | F0350 | 2-2-04-4C423 | 5910-14-040-3462 | 1 |
| DQX704-470UM | F0350 | 2-2-04-4C424 | 5910-14-040-3462 | 1 |
| DQX704-470UM | F0350 | 2-2-04-4C425 | 5910-14-040-3462 | 1 |
| DQX704-470UM | F0350 | 2-2-04-4C426 | 5910-14-040-3462 | 1 |
| DQX704-470UM | F0350 | 2-2-04-4C427 | 5910-14-040-3462 | 1 |
| DQX704-470UM | F0350 | 2-2-06 C21 | 5910-14-040-3462 | 1 |
| E113 | 17856 | 2-2-10 Q8 | 5961-00 | 1 |
| HP5082-2800 | 28480 | 2-2-04-3CR303 | 5961-00 | 1 |
| HP5082-2800 | 28480 | 2-2-04-3CR304 | 5961-00 | 1 |
| HP5082-2800 | 28480 | 2-2-04-3CR305 | 5961-00 | 1 |
| HP5082-2800 | 28480 | 2-2-04-3CR306 | 5961-00 | 1 |
| HP5082-2800 | 28480 | 2-2-04-4CR401 | 5961-00 | 1 |
| HP5082-2800 | 28480 | 2-2-04-4CR402 | 5961-00 | 1 |
| IPD213-82KK | F0350 | 2-2-10 C31 | 5910-14 | 1 |
| IPD218-220KK | F0350 | 2-4-01 C1 | 5910-14-268-4649 | 1 |
| IPG213-10KJ | F0350 | 2-2-10 C25 | 5910-14-302-8497 | 1 |
| IPG213-10KJ | F0350 | 2-2-10 C34 | 5910-14-302-8497 | 1 |
| KEF213-43K2F | F0350 | 2-2-10 C15 | 5910-14 | 1 |
| KM311-160V21K5F | F1379 | 2-2-10 C14 | 5910-14 | 1 |
| KM311-160V21K5F | F1379 | 2-2-10 C22 | 5910-14 | 1 |
| MA741 | F3223 | 2-2-10 Z1 | 5962-14 | 1 |
| MA741 | F3223 | 2-2-10 Z3 | 5962-14 | 1 |
| MEM563C | A2952 | 2-2-06 Q5 | 5961-15 | 1 |
| MEM563C | A2952 | 2-2-06 Q6 | 5961-15 | 1 |
| MT2R20V4M7M | F2220 | 2-2-04-4C408 | 5910-14-290-8362 | 1 |
| MT2R20V4M7M | F2220 | 2-2-04-4C413 | 5910-14-290-8362 | 1 |
| MT2R20V4M7M | F2220 | 2-2-04-4C428 | 5910-14-290-8362 | 1 |
| MT5A16V68MM | F2220 | 2-2-04-4C404 | 5910-14-292-6794 | 1 |
| MT2A20V4M7M | F2220 | 2-2-04-4C405 | 5910-14-290-8362 | 1 |
| MVM003W | 73899 | 2-2-06 C34 | 5910-00 | 1 |
| PLC933D120UJ | F0350 | 2-2-04-3C301 | 5910-14 | 1 |
| PLC933D120UJ | F0350 | 2-2-04-3C304 | 5910-14 | 1 |
| PLC933D220UJ | F0350 | 2-2-04-3C302 | 5910-14 | 1 |
| PLC933D220UJ | F0350 | 2-2-04-3C307 | 5910-14 | 1 |
| PLC933D82UJ | F0350 | 2-2-04-3C368 | 5910-14 | 1 |
| PLZ932D4K7J | F0350 | 2-2-06 C15 | 5910-14 | 1 |
| PLZ932D4K7J | F0350 | 2-2-06 C22 | 5910-14 | 1 |
| RBX001-1MJ | F0350 | 2-2-04-4R401 | 5905-14-288-0407 | 1 |
| RBX001-1MJ | F0350 | 2-2-10 R115 | 5905-14-288-0407 | 1 |
| RBX001-1MJ | F0350 | 2-2-10 R116 | 5905-14-288-0407 | 1 |
| RBX001-330KJ | F0350 | 2-2-10 R16 | 5905-14-235-9499 | 1 |
| RBX001-390KJ | F0350 | 2-2-04-4R411 | 5905-14-235-9502 | 1 |
| RBX001-820KJ | F0350 | 2-2-04-4R407 | 5905-14-265-5433 | 1 |
| RC2T1KJ | F0114 | 2-2-04-3R315 | 5905-14-235-9482 | 1 |
| RC2T1KJ | F0114 | 2-2-04-3R316 | 5905-14-235-9482 | 1 |
| RC2T1KJ | F0114 | 2-2-04-4R422 | 5905-14-235-9482 | 1 |
| RC2T1KJ | F0114 | 2-2-06 R4 | 5905-14-235-9482 | 1 |
| RC2T1KJ | F0114 | 2-2-10 R8 | 5905-14-235-9482 | 1 |
| RC2T1KJ | F0114 | 2-2-10 R25 | 5905-14-235-9482 | 1 |
| RC2T1KJ | F0114 | 2-2-10 R49 | 5905-14-235-9482 | 1 |
| RC2T1KJ | F0114 | 2-2-10 R54 | 5905-14-235-9482 | 1 |

| MANUFACTURER'S PART NUMBER | VENDOR CODE | DRAWING ITEM | NATO CODE | Qty |
|-------------------------------|----------------|--------------|------------------|-----|
| RC2T1KJ | F0114 | 2-2-10 R56 | 5905-14-235-9482 | 1 |
| RC2T1KJ | F0114 | 2-2-10 R71 | 5905-14-235-9482 | 1 |
| RC2T1KJ | F0114 | 2-4-01 R1 | 5905-14-235-9482 | 1 |
| RC2T1K2J | F0114 | 2-2-04-3R304 | 5905-14-235-9484 | 1 |
| RC2T1K2J | F0114 | 2-2-04-3R313 | 5905-14-235-9484 | 1 |
| RC2T1K2J | F0114 | 2-2-04-3R314 | 5905-12-235-9484 | 1 |
| RC2T1K2J | F0114 | 2-2-04-3R326 | 5905-14-235-9484 | 1 |
| RC2T1K2J | F0114 | 2-2-04-3R327 | 5905-14-235-9484 | 1 |
| RC2T1K2J | F0114 | 2-2-04-3R332 | 5905-14-235-9484 | 1 |
| RC2T1K2J | F0114 | 2-2-04-3R333 | 5905-14-235-9484 | 1 |
| RC2T1K5J | F0114 | 2-2-04-3R312 | 5905-14-235-9487 | 1 |
| RC2T1K5J | F0114 | 2-2-06 R41 | 5905-14-235-9487 | 1 |
| RC2T1K6J | F0114 | 2-2-10 R51 | 5905-14-238-7104 | 1 |
| RC2T1K6J | F0114 | 2-2-10 R52 | 5905-14-238-7104 | 1 |
| RC2T10KJ | F0114 | 2-2-06 R12 | 5905-14-232-9453 | 1 |
| RC2T10KJ | F0114 | 2-2-06 R22 | 5905-14-232-9453 | 1 |
| RC2T10KJ | F0114 | 2-2-06 R55 | 5905-14-232-9453 | 1 |
| RC2T10KJ | F0114 | 2-2-06 R58 | 5905-14-232-9453 | 1 |
| RC2T10KJ | F0114 | 2-2-10 R15 | 5905-14-232-9453 | 1 |
| RC2T10KJ | F0114 | 2-2-10 R17 | 5905-14-232-9453 | 1 |
| RC2T10KJ | F0114 | 2-2-10 R21 | 5905-14-232-9453 | 1 |
| RC2T10KJ | F0114 | 2-2-10 R23 | 5905-14-232-9453 | 1 |
| RC2T10KJ | F0114 | 2-2-10 R27 | 5905-14-232-9453 | 1 |
| RC2T10KJ | F0114 | 2-2-10 R34 | 5905-14-232-9453 | 1 |
| RC2T10KJ | F0114 | 2-2-10 R61 | 5905-14-232-9453 | 1 |
| RC2T10KJ | F0114 | 2-2-10 R77 | 5905-14-232-9453 | 1 |
| RC2T10KJ | F0114 | 2-2-10 R82 | 5905-14-232-9453 | 1 |
| RC2T10KJ | F0114 | 2-2-10 R111 | 5905-14-232-9453 | 1 |
| RC2T10KJ | F0114 | 2-4-01 R11 | 5905-14-232-9453 | 1 |
| RC2T10UJ | F0114 | 2-2-10 R7 | 5905-14-040-0402 | 1 |
| RC2T10UJ | F0114 | 2-2-10 R22 | 5905-14-040-0402 | 1 |
| RC2T10UJ | F0114 | 2-4-01 R2 | 5905-14-040-0402 | 1 |
| RC2T100KJ | F0114 | 2-2-06 R1 | 5905-14-235-9483 | 1 |
| RC2T100KJ | F0114 | 2-2-10 R48 | 5905-14-235-9483 | 1 |
| RC2T100KJ | F0114 | 2-2-10 R92 | 5905-14-235-9483 | 1 |
| RC2T100KJ | F0114 | 2-2-10 R105 | 5905-14-235-9483 | 1 |
| RC2T100KJ | F0114 | 2-2-10 R112 | 5905-14-235-9483 | 1 |
| RC2T100KJ | F0114 | 2-2-10 R113 | 5905-14-235-9483 | 1 |
| RC2T100KJ | F0114 | 2-2-10 R114 | 5905-14-235-9483 | 1 |
| RC2T100UJ | F0114 | 2-2-04-3R301 | 5905-14-235-9481 | 1 |
| RC2T100UJ | F0114 | 2-2-04-3R322 | 5905-14-235-9481 | 1 |
| RC2T100UJ | F0114 | 2-2-04-3R323 | 5905-14-235-9481 | 1 |
| RC2T100UJ | F0114 | 2-2-04-3R324 | 5905-14-235-9481 | 1 |
| RC2T100UJ | F0114 | 2-2-04-3R325 | 5905-14-235-9481 | 1 |
| RC2T100UJ | F0114 | 2-2-04-3R331 | 5905-14-235-9481 | 1 |
| RC2T100UJ | F0114 | 2-2-10 R1 | 5905-14-235-9481 | 1 |
| RC2T100UJ | F0114 | 2-2-10 R65 | 5905-14-235-9481 | 1 |
| RC2T100UJ | F0114 | 2-2-10 R83 | 5905-14-235-9481 | 1 |
| RC2T12KJ | F0114 | 2-2-04-4R403 | 5905-14-235-9485 | 1 |
| RC2T120UJ | F0114 | 2-2-06 R17 | 5905-14-242-5343 | 1 |
| RC2T120UJ | F0114 | 2-2-06 R47 | 5905-14-242-5343 | 1 |
| RC2T15KJ | F0114 | 2-2-06 R21 | 5905-14-235-9988 | 1 |

| MANUFACTURER'S PART NUMBER | VENDOR CODE | DRAWING ITEM | NATO CODE | Qty |
|-------------------------------|----------------|--------------|------------------|-----|
| RC2T15KJ | F0114 | 2-2-06 R23 | 5905-14-235-9988 | 1 |
| RC2T15KJ | F0114 | 2-2-06 R24 | 5905-14-235-9988 | 1 |
| RC2T15KJ | F0114 | 2-2-06 R32 | 5905-14-235-9988 | 1 |
| RC2T15KJ | F0114 | 2-2-06 R33 | 5905-14-235-9988 | 1 |
| RC2T15KJ | F0114 | 2-2-06 R34 | 5905-14-235-9988 | 1 |
| RC2T15KJ | F0114 | 2-2-06 R37 | 5905-14-235-9988 | 1 |
| RC2T15KJ | F0114 | 2-2-10 R46 | 5905-14-235-9988 | 1 |
| RC2T150UJ | F0114 | 2-2-04-4R424 | 5905-14-235-9486 | 1 |
| RC2T150UJ | F0114 | 2-2-06 R57 | 5905-14-235-9486 | 1 |
| RC2T18KJ | F0114 | 2-2-04-4R412 | 5905-14-235-9491 | 1 |
| RC2T18KJ | F0114 | 2-2-06 R13 | 5905-14-235-9491 | 1 |
| RC2T18KJ | F0114 | 2-2-06 R25 | 5905-14-235-9491 | 1 |
| RC2T18KJ | F0114 | 2-2-06 R27 | 5905-14-235-9491 | 1 |
| RC2T18KJ | F0114 | 2-2-06 R31 | 5905-14-235-9491 | 1 |
| RC2T18KJ | F0114 | 2-2-10 R102 | 5905-14-235-9491 | 1 |
| RC2T180UJ | F0114 | 2-2-10 R6 | 5905-14-232-9436 | 1 |
| RC2T180UJ | F0114 | 2-2-10 R42 | 5905-14-232-9436 | 1 |
| RC2T180UJ | F0114 | 2-4-01 R3 | 5905-14-232-9436 | 1 |
| RC2T2K2J | F0114 | 2-2-04-3R306 | 5905-14-235-9195 | 1 |
| RC2T2K2J | F0114 | 2-2-04-3R307 | 5905-14-235-9195 | 1 |
| RC2T2K2J | F0114 | 2-2-06- R5 | 5905-14-235-9195 | 1 |
| RC2T2K2J | F0114 | 2-2-06 R11 | 5905-14-235-9195 | 1 |
| RC2T2K2J | F0114 | 2-2-06 R15 | 5905-14-235-9195 | 1 |
| RC2T2K2J | F0114 | 2-2-10 R5 | 5905-14-235-9195 | 1 |
| RC2T2K2J | F0114 | 2-2-10 R32 | 5905-14-235-9195 | 1 |
| RC2T22KJ | F0114 | 2-2-06 R53 | 5905-14-235-9494 | 1 |
| RC2T22KJ | F0114 | 2-2-10 R24 | 5905-14-235-9494 | 1 |
| RC2T22KJ | F0114 | 2-2-10 R26 | 5905-14-235-9494 | 1 |
| RC2T22KJ | F0114 | 2-2-10 R57 | 5905-14-235-9494 | 1 |
| RC2T22KJ | F0114 | 2-2-10 R84 | 5905-14-235-9494 | 1 |
| RC2T22KJ | F0114 | 2-2-10 R93 | 5905-14-235-9494 | 1 |
| RC2T22KJ | F0114 | 2-2-10 R117 | 5905-14-235-9494 | 1 |
| RC2T22UJ | F0114 | 2-2-04-4R427 | 5905-14-235-9493 | 1 |
| RC2T220KJ | F0114 | 2-2-04-4R417 | 5905-14-246-8758 | 1 |
| RC2T220UJ | F0114 | 2-2-10 R33 | 5905-14-232-9431 | 1 |
| RC2T220UJ | F0114 | 2-2-10 R55 | 5905-14-232-9431 | 1 |
| RC2T27KJ | F0114 | 2-2-10 R87 | 5905-14-238-7103 | 1 |
| RC2T27KJ | F0114 | 2-2-10 R91 | 5905-14-238-7103 | 1 |
| RC2T27KJ | F0114 | 2-2-10 R104 | 5905-14-238-7103 | 1 |
| RC2T27UJ | F0114 | 2-2-04-3R302 | 5905-14-268-1720 | 1 |
| RC2T27UJ | F0114 | 2-2-04-3R303 | 5905-14-268-1720 | 1 |
| RC2T27UJ | F0114 | 2-2-10 R72 | 5905-14-268-1720 | 1 |
| RC2T270UJ | F0114 | 2-2-06 R46 | 5905-14-228-0790 | 1 |
| RC2T270UJ | F0114 | 2-4-01 R5 | 5905-14-228-0790 | 1 |
| RC2T3K3J | F0114 | 2-4-04-4R425 | 5905-14-235-9199 | 1 |
| RC2T3K3J | F0114 | 2-2-06 R54 | 5905-14-235-9199 | 1 |
| RC2T3K3J | F0114 | 2-2-10 R13 | 5905-14-235-9199 | 1 |
| RC2T3K3J | F0114 | 2-2-10 R28 | 5905-14-235-9199 | 1 |
| RC2T3K9J | F0114 | 2-2-04-4R514 | 5905-14-235-9501 | 1 |
| RC2T33KJ | F0114 | 2-2-06 R2 | 5905-14-235-9498 | 1 |
| RC2T33KJ | F0114 | 2-2-06 R52 | 5905-14-235-9498 | 1 |
| RC2T33KJ | F0114 | 2-2-10 R66 | 5905-14-235-9498 | 1 |

| MANUFACTURER'S PART NUMBER | VENDOR CODE | DRAWING ITEM | NATO CODE | Qty |
|-------------------------------|----------------|--------------|------------------|-----|
| RC2T33KJ | F0114 | 2-2-10 R97 | 5905-14-235-9498 | 1 |
| RC2T33UJ | F0114 | 2-2-10 R121 | 5905-14-231-7524 | 1 |
| RC2T330UJ | F0114 | 2-2-10 R75 | 5905-14-235-9497 | 1 |
| RC2T330UJ | F0114 | 2-4-01 R7 | 5905-14-235-9497 | 1 |
| RC2T39KJ | F0114 | 2-2-04-4R414 | 5905-14-291-7879 | 1 |
| RC2T390UJ | F0114 | 2-2-04-4R426 | 5905-14-231-7525 | 1 |
| RC2T4K22G | F0114 | 2-2-10 R85 | 5905-14 | 1 |
| RC2T4K7J | F0114 | 2-2-06 R6 | 5905-14-235-9506 | 1 |
| RC2T4K7J | F0114 | 2-2-06 R42 | 5905-14-235-9506 | 1 |
| RC2T4K7J | F0114 | 2-2-06 R43 | 5905-14-235-9506 | 1 |
| RC2T4K7J | F0114 | 2-2-10 R31 | 5905-14-235-9506 | 1 |
| RC2T4K7J | F0114 | 2-2-10 R53 | 5905-14-235-9506 | 1 |
| RC2T4K7J | F0114 | 2-2-10 R62 | 5905-14-235-9506 | 1 |
| RC2T4K7J | F0114 | 2-2-10 R103 | 5905-14-235-9506 | 1 |
| RC2T47KJ | F0114 | 2-2-04-4R416 | 5905-14-235-9507 | 1 |
| RC2T47KJ | F0114 | 2-2-10 R76 | 5905-14-235-9507 | 1 |
| RC2T47UJ | F0114 | 2-2-04-4R408 | 5905-14-235-9504 | 1 |
| RC2T47UJ | F0114 | 2-2-04-4R421 | 5905-14-235-9504 | 1 |
| RC2T470UJ | F0114 | 2-2-06 R51 | 5905-14-235-9505 | 1 |
| RC2T470UJ | F0114 | 2-2-10 R37 | 5905-14-235-9505 | 1 |
| RC2T5K6J | F0114 | 2-2-10 R44 | 5905-14-235-9511 | 1 |
| RC2T5K6J | F0114 | 2-2-10 R73 | 5905-14-235-9511 | 1 |
| RC2T5K6J | F0114 | 2-2-10 R74 | 5905-14-235-9511 | 1 |
| RC2T5K62G | F0114 | 2-2-10 R86 | 5905-14 | 1 |
| RC2T51UJ | F0114 | 2-2-06 R45 | 5905-14-250-5528 | 1 |
| RC2T56KJ | F0114 | 2-2-06 R7 | 5905-14-235-9512 | 1 |
| RC2T56UJ | F0114 | 2-2-04-4R423 | 5905-14-242-5341 | 1 |
| RC2T560UJ | F0114 | 2-2-04-3R305 | 5905-14-235-9510 | 1 |
| RC2T560UJ | F0114 | 2-2-04-3R311 | 5905-14-235-9510 | 1 |
| RC2T560UJ | F0114 | 2-2-04-3R317 | 5905-14-235-9510 | 1 |
| RC2T560UJ | F0114 | 2-2-04-3R321 | 5905-14-235-9510 | 1 |
| RC2T560UJ | F0114 | 2-2-06 R16 | 5905-14-235-9510 | 1 |
| RC2T6K8J | F0114 | 2-2-10 R43 | 5905-14-235-9346 | 1 |
| RC2T680UJ | F0114 | 2-2-04-4R402 | 5905-14-235-9189 | 1 |
| RC2T680UJ | F0114 | 2-2-04-4R413 | 5905-14-235-9189 | 1 |
| RC2T680UJ | F0114 | 2-2-06 R36 | 5905-14-235-9189 | 1 |
| RC2T7K5J | F0114 | 2-2-10 R41 | 5905-14-231-7530 | 1 |
| RC2T75KJ | F0114 | 2-2-04-4R405 | 5905-14-268-1757 | 1 |
| RC2T8K2J | F0114 | 2-2-06 R14 | 5905-14-235-9516 | 1 |
| RC2T82KJ | F0114 | 2-2-04-4R404 | 5905-14-235-9517 | 1 |
| RC2T82KJ | F0114 | 2-2-04-4R406 | 5905-14-235-9517 | 1 |
| RC2T82KJ | F0114 | 2-2-06 R56 | 5905-14-235-9517 | 1 |
| RC2T820UJ | F0114 | 2-2-04-1R101 | 5905-14-235-9515 | 1 |
| RC2T820UJ | F0114 | 2-2-04-1R102 | 5905-14-235-9515 | 1 |
| RC2T9K1J | F0114 | 2-2-06 R26 | 5905-14-232-9430 | 1 |
| RC2T91UJ | F0114 | 2-2-04-1R103 | 5905-14-268-1725 | 1 |
| RC2T91UJ | F0114 | 2-2-04-1R104 | 5905-14-268-1725 | 1 |
| RC2T91UJ | F0114 | 2-2-04-1R105 | 5905-14-268-1725 | 1 |
| RC2T91UJ | F0114 | 2-2-04-1R106 | 5905-14-268-1725 | 1 |
| RC6T390UJ | F0114 | 2-2-06 R3 | 5905-14-296-0664 | 1 |
| RC6T47UJ | F0114 | 2-2-06 R35 | 5905-14-285-4054 | 1 |
| RC6T82UJ | F0114 | 2-2-06 R44 | 5905-14-242-5342 | 1 |

| MANUFACTURER'S PART NUMBER | VENDOR CODE | DRAWING ITEM | NATO CODE | Qty |
|-------------------------------|----------------|--------------|------------------|-----|
| RC8U2K05G | F0114 | 2-2-10 R4 | 5905-14 | 1 |
| RC8U51K1G | F0114 | 2-2-10 R11 | 5905-14 | 1 |
| RS58Y3K65F | F0114 | 2-2-10 R45 | 5905-14 | 1 |
| RS58Y7K5F | F0114 | 2-2-10 R35 | 5905-14-291-5248 | 1 |
| RS58Y7K5F | F0114 | 2-2-10 R47 | 5905-14-291-5248 | 1 |
| SBM1R20V1MM | F3422 | 2-2-10 C20 | 5910-14 | 1 |
| SBM4A16V22MM | F3422 | 2-2-06 C2 | 5910-14 | 1 |
| SBM4A16V22MM | F3422 | 2-2-06 C3 | 5910-14 | 1 |
| SBM4A16V22MM | F3422 | 2-2-06 C4 | 5910-14 | 1 |
| SBM4A16V22MM | F3422 | 2-2-06 C11 | 5910-14 | 1 |
| SBM4A16V22MM | F3422 | 2-2-06 C44 | 5910-14 | 1 |
| SBM4A25V10MM | F3422 | 2-2-06 C37 | 5910-14 | 1 |
| SBM4R16V22MM | F3422 | 2-2-10 C5 | 5910-14 | 1 |
| SFD129B | F4601 | 2-4-01 CR3 | 5961-14-252-9841 | 1 |
| SFD129B | F4601 | 2-4-01 CR4 | 5961-14-252-9841 | 1 |
| SFD129B | F4601 | 2-4-01 CR5 | 5961-14-252-9841 | 1 |
| SFD129B | F4601 | 2-4-01 CR6 | 5961-14-252-9841 | 1 |
| SN8420N | F2210 | 2-2-06 Z3 | 5962-14 | 1 |
| TAA611E55 | F3223 | 2-2-10 Z2 | 5962-14 | 1 |
| UAZ905-10KM | F0350 | 2-2-04-1C103 | 5910-14 | 1 |
| UAZ905-10KM | F0350 | 2-2-04-1C105 | 5910-14 | 1 |
| UAZ905-10KM | F0350 | 2-2-04-4C402 | 5910-14 | 1 |
| UAZ905-10KM | F0350 | 2-2-06 C41 | 5910-14 | 1 |
| UAZ905-100KM | F0350 | 2-2-04-1C101 | 5910-14-040-0364 | 1 |
| UAZ905-47KM | F0350 | 2-2-04-3C353 | 5910-14 | 1 |
| UAZ905-47KM | F0350 | 2-2-06 C43 | 5910-14 | 1 |
| UAZ905-47KM | F0350 | 2-2-06 C51 | 5910-14 | 1 |
| UAZ905-47KM | F0350 | 2-2-06 C53 | 5910-14 | 1 |
| UAZ905-47KM | F0350 | 2-2-06 C54 | 5910-14 | 1 |
| UFW606-10KJL | F0350 | 2-2-10 C52 | 5910-14 | 1 |
| UFW606-10KJL | F0350 | 2-2-10 C55 | 5910-14 | 1 |
| UFW608-47KJL | F0350 | 2-2-04-3C305 | 5910-14 | 1 |
| UFW608-47KJL | F0350 | 2-2-04-3C316 | 5910-14 | 1 |
| UFW608-47KJL | F0350 | 2-2-04-3C322 | 5910-14 | 1 |
| UFW608-47KJL | F0350 | 2-2-04-3C324 | 5910-14 | 1 |
| UFW608-47KJL | F0350 | 2-2-04-3C325 | 5910-14 | 1 |
| UFW608-47KJL | F0350 | 2-2-04-3C326 | 5910-14 | 1 |
| UFW608-47KJL | F0350 | 2-2-04-3C356 | 5910-14 | 1 |
| UFW608-47KJL | F0350 | 2-2-04-3C357 | 5910-14 | 1 |
| UFW608-47KJL | F0350 | 2-2-04-3C362 | 5910-14 | 1 |
| UFW608-47KJL | F0350 | 2-2-04-3C364 | 5910-14 | 1 |
| UFW608-47KJL | F0350 | 2-4-01 C4 | 5910-14 | 1 |
| UFW608-47KJL | F0350 | 2-4-01 C6 | 5910-14 | 1 |
| UFW608-47KJL | F0350 | 2-4-01 C7 | 5910-14 | 1 |
| UFW608-47KJL | F0350 | 2-4-01 C11 | 5910-14 | 1 |
| UFW608-47KJL | F0350 | 2-4-01 C12 | 5910-14 | 1 |
| UFW608-47KJL | F0350 | 2-4-01 C13 | 5910-14 | 1 |
| UFW608-47KJL | F0350 | 2-4-01 C14 | 5910-14 | 1 |
| UG85-10V100MM | F6180 | 2-2-10 C17 | 5910-14 | 1 |
| UG85-10V100MM | F6180 | 2-2-10 C26 | 5910-14 | 1 |
| UG85-10V100MM | F6180 | 2-2-10 C51 | 5910-14 | 1 |
| UG85-10V100MM | F6180 | 2-2-10 C53 | 5910-14 | 1 |

| MANUFACTURER'S PART NUMBER | VENDOR CODE | DRAWING ITEM | NATO CODE | Qty |
|-------------------------------|----------------|---------------|------------------|-----|
| U7B93L00-51X | 07263 | 2-2-06 Z4 | 5962-00 | 1 |
| VA05H220UM | F0978 | 2-4-01 R4 | 5905-14-288-7717 | 1 |
| VA05H220UM | F0978 | 2-4-01 R6 | 5905-14-288-7717 | 1 |
| 1N4148 | F0115 | 2-2-04-1CR101 | 5961-14-256-6509 | 1 |
| 1N4148 | F0115 | 2-2-04-1CR103 | 5961-14-256-6509 | 1 |
| 1N4148 | F0115 | 2-2-04-1CR104 | 5961-14-256-6509 | 1 |
| 1N4148 | F0115 | 2-2-04-1CR106 | 5961-14-256-6509 | 1 |
| 1N4148 | F0115 | 2-2-06 CR4 | 5961-14-256-6509 | 1 |
| 1N4148 | F0115 | 2-2-06 CR5 | 5961-14-256-6509 | 1 |
| 1N4148 | F0115 | 2-2-10 CR6 | 5961-14-256-6509 | 1 |
| 1N4148 | F0115 | 2-2-10 CR7 | 5961-14-256-6509 | 1 |
| 1N4148 | F0115 | 2-2-10 CR8 | 5961-14-256-6509 | 1 |
| 1N4148 | F0115 | 2-2-10 CR9 | 5961-14-256-6509 | 1 |
| 1N4148 | F0115 | 2-2-10 CR11 | 5961-14-256-6509 | 1 |
| 1N4148 | F0115 | 2-2-10 CR12 | 5961-14-256-6509 | 1 |
| 1N4148 | F0115 | 2-2-10 CR13 | 5961-14-256-6509 | 1 |
| 1N4148 | F0115 | 2-2-10 CR14 | 5961-14-256-6509 | 1 |
| 1N4148 | F0115 | 2-2-10 CR15 | 5961-14-256-6509 | 1 |
| 1N4148 | F0115 | 2-2-10 CR16 | 5961-14-256-6509 | 1 |
| 1N4148 | F0115 | 2-2-10 CR17 | 5961-14-256-6509 | 1 |
| 1N4148 | F0115 | 2-2-10 CR18 | 5961-14-256-6509 | 1 |
| 1N4148 | F0115 | 2-4-01 CR7 | 5961-14-256-6509 | 1 |
| 1N4148 | F0115 | 2-4-01 CR8 | 5961-14-256-6509 | 1 |
| 1N4734A | F4601 | 2-4-04-1CR102 | 5961-14 | 1 |
| 1N4734A | F4601 | 2-2-04-1CR105 | 5961-14 | 1 |
| 1N5444A | 04713 | 2-2-06 CR2 | 5961-00 | 1 |
| 1N5446A | 04713 | 2-2-06 CR1 | 5961-00 | 1 |
| 1N5470B | 04713 | 2-2-04-4CR405 | 5961-00 | 1 |
| 1N5471B | 04713 | 2-2-04-4CR403 | 5961-00 | 1 |
| 1N5472B | 04713 | 2-2-04-4CR404 | 5961-00 | 1 |
| 1N647 | F0115 | 2-2-10 CR3 | 5961-14-208-2287 | 1 |
| 1N647 | F0115 | 2-2-10 CR5 | 5961-14-208-2267 | 1 |
| 1N823A | F4759 | 2-2-06 CR3 | 5961-14 | 1 |
| 1025-00 | 99800 | 2-2-04-1L102 | 5950-00 | 1 |
| 1025-04 | 99800 | 2-2-04-3L302 | 5950-00 | 1 |
| 1025-20 | 99800 | 2-2-06 L3 | 5950-00 | 1 |
| 1025-20 | 99800 | 2-2-06 L4 | 5950-00 | 1 |
| 1025-36 | 99800 | 2-2-04-3L304 | 5950-00-961-9600 | 1 |
| 1025-36 | 99800 | 2-2-04-3L315 | 5950-00-961-9600 | 1 |
| 1025-36 | 99800 | 2-2-04-3L316 | 5950-00-961-9600 | 1 |
| 1025-36 | 99800 | 2-2-04-3L317 | 5950-00-961-9600 | 1 |
| 1025-36 | 99800 | 2-2-04-3L318 | 5950-00-961-9600 | 1 |
| 1025-36 | 99800 | 2-2-04-4L401 | 5950-00-961-9600 | 1 |
| 1025-36 | 99800 | 2-2-04-4L403 | 5950-00-961-9600 | 1 |
| 1025-36 | 99800 | 2-2-04-4L404 | 5950-00-961-9600 | 1 |
| 1025-36 | 99800 | 2-2-04-4L407 | 5950-00-961-9600 | 1 |
| 1025-38 | 99800 | 2-2-04-3L307 | 5950-00 | 1 |
| 1025-60 | 99800 | 2-4-01 L4 | 5950-00-903-3387 | 1 |
| 1025-60 | 99800 | 2-4-01 L5 | 5950-00-903-3387 | 1 |
| 1025-68 | 99800 | 2-4-01 L1 | 5950-00 | 1 |
| 1025-68 | 99800 | 2-4-01 L2 | 5950-00 | 1 |
| 1025-68 | 99800 | 2-4-01 L3 | 5950-00 | 1 |

| MANUFACTURER'S PART NUMBER | VENDOR CODE | DRAWING ITEM | NATO CODE | Qty |
|-------------------------------|----------------|--------------|-----------|-----|
| 1025-76 | 99800 | 2-2-04-4L402 | 5950-00 | 1 |
| 1025-94 | 99800 | 2-2-06 L5 | 5950-00 | 1 |
| 15005707 | F0052 | 2-1 | | 1 |
| 15028198 | F0052 | 2-2-06 Z5 | 5962-14 | 1 |
| 15028199 | F0052 | 2-2-06 Z6 | 5962-14 | 1 |
| 15029934 | F0052 | 2-1 A1 | 5895-14 | 1 |
| 15029934 | F0052 | 2-2 A1 | 5895-14 | FM |
| 15029935 | F0052 | 2-1 A4 | 5895-14 | 1 |
| 15029935 | F0052 | 2-4 A4 | 5895-14 | FM |
| 15029936 | F0052 | 2-2 A14 | 5895-14 | 1 |
| 15029936 | F0052 | 2-2-04 A14 | 5895-14 | FM |
| 15029937 | F0052 | 2-2 A20 | 5999-14 | 1 |
| 15029937 | F0052 | 2-2-10 A20 | 5999-14 | FM |
| 15030110 | F0052 | 2-2 A16 | 5999-14 | 1 |
| 15030110 | F0052 | 2-2-06 A16 | 5999-14 | FM |
| 15066647 | F0052 | 2-2-04-4Q401 | 5961-14 | 1 |
| 15066648 | F0052 | 2-2-04-3Q303 | 5961-14 | 1 |
| 15066648 | F0052 | 2-2-04-3Q304 | 5961-14 | 1 |
| 15066648 | F0052 | 2-2-04-3Q305 | 5961-14 | 1 |
| 15066648 | F0052 | 2-2-04-3Q306 | 5961-14 | 1 |
| 15066664 | F0052 | 2-2-06 Q7 | 5961-14 | 1 |
| 15159255 | F0052 | 2-4-01 CR1 | 5961-14 | 1 |
| 15159820 | F0052 | 2-2-04-3A67 | 5895-14 | 1 |
| 15160362 | F0052 | 2-2-10 Q24 | 5961-14 | 1 |
| 15446857 | F0052 | 2-2-04-3T307 | 5950-14 | 1 |
| 15446858 | F0052 | 2-2-04-3T305 | 5950-14 | 1 |
| 15446885 | F0052 | 2-2-04-3L311 | 5950-14 | 1 |
| 15446886 | F0052 | 2-2-04-3L312 | 5950-14 | 1 |
| 15446886 | F0052 | 2-2-04-3L313 | 5950-14 | 1 |
| 15446888 | F0052 | 2-2-04-3L314 | 5950-14 | 1 |
| 15446889 | F0052 | 2-2-04-3T301 | 5950-14 | 1 |
| 15446889 | F0052 | 2-2-04-3T302 | 5950-14 | 1 |
| 15446890 | F0052 | 2-2-04-3T303 | 5950-14 | 1 |
| 15446891 | F0052 | 2-2-04-3T304 | 5950-14 | 1 |
| 15446893 | F0052 | 2-2-04-3T306 | 5950-14 | 1 |
| 15446992 | F0052 | 2-2-04-4L405 | 5950-14 | 1 |
| 15446993 | F0052 | 2-2-04-4L406 | 5950-14 | 1 |
| 15446993 | F0052 | 2-2-04-4L411 | 5950-14 | 1 |
| 15446995 | F0052 | 2-2-06 L1 | 5950-14 | 1 |
| 15446996 | G0052 | 2-2-06 L2 | 5950-14 | 1 |
| 15447320 | F0052 | 2-2-06 A68 | 1270-14 | 1 |
| 15447321 | F0052 | 2-2-06 A69 | 1270-14 | 1 |
| 15449450 | F0052 | 2-2-04 A61 | 5999-14 | 1 |
| 15449450 | F0052 | 2-2-04-1A61 | 5999-14 | FM |
| 15449451 | F0052 | 2-2-04 A63 | 5999-14 | 1 |
| 15449451 | F0052 | 2-2-04-3A63 | 5999-14 | FM |
| 15449452 | F0052 | 2-2-04 A64 | 5999-14 | 1 |
| 15449452 | F0052 | 2-2-04-4A64 | 5999-14 | FM |
| 15449453 | F0052 | 2-4 A99 | 5999-14 | 1 |
| 15449453 | F0052 | 2-4-01 A99 | 5999-14 | FM |
| 15449557 | F0052 | 2-2-04-3L301 | 5950-14 | 1 |
| 15449557 | F0052 | 2-2-04-3L305 | 5950-14 | 1 |

| MANUFACTURER'S PART NUMBER | VENDOR CODE | DRAWING ITEM | NATO CODE | Qty |
|-------------------------------|----------------|---------------|------------------|-----|
| 15449558 | F0052 | 2-2-04-3L303 | 5950-14 | 1 |
| 15449559 | F0052 | 2-2-04-3L306 | 5950-14 | 1 |
| 15449560 | F0052 | 2-2-04-1L101 | 5950-14 | 1 |
| 2N2222 | F0115 | 2-2-06 Q12 | 5961-14-232-0812 | 1 |
| 2N2222 | F0115 | 2-2-06 Q13 | 5961-14-232-0812 | 1 |
| 2N2222 | F0115 | 2-2-10 Q11 | 5961-14-232-0812 | 1 |
| 2N2222 | F0115 | 2-2-10 Q12 | 5961-14-232-0812 | 1 |
| 2N2222 | F0115 | 2-2-10 Q23 | 5961-14-232-0812 | 1 |
| 2N2222A1 | F0115 | 2-2-06 Q2 | 5961-14-297-1510 | 1 |
| 2N2222A1 | F0115 | 2-2-06 Q3 | 5961-14-297-1510 | 1 |
| 2N2222A1 | F0115 | 2-2-10 Q2 | 5961-14-297-1510 | 1 |
| 2N2222A1 | F0115 | 2-2-10 Q13 | 5961-14-297-1510 | 1 |
| 2N2222A1 | F0115 | 2-2-10 Q14 | 5961-14-297-1510 | 1 |
| 2N2222A1 | F0115 | 2-2-10 Q26 | 5961-14-297-1510 | 1 |
| 2N2484-1 | F0115 | 2-2-10 Q4 | 5961-14-297-1463 | 1 |
| 2N2484-1 | F0115 | 2-2-10 Q7 | 5961-14-297-1463 | 1 |
| 2N2484-1 | F0115 | 2-2-10 Q21 | 5961-14-297-1463 | 1 |
| 2N2484-1 | F0115 | 2-2-10 Q25 | 5961-14-297-1463 | 1 |
| 2N2484-1 | F0115 | 2-4-01 Q1 | 5961-14-297-1463 | 1 |
| 2N2905-1 | F0115 | 2-2-10 Q2 | 5961-14-302-5989 | 1 |
| 2N2907 | F0115 | 2-2-06 Q1 | 5961-14-231-2546 | 1 |
| 2N2907 | F0115 | 2-2-06 Q11 | 5961-14-231-2546 | 1 |
| 2N2907 | F0115 | 2-2-10 Q5 | 5961-14-231-2546 | 1 |
| 2N2907 | F0115 | 2-2-10 Q6 | 5961-14-231-2546 | 1 |
| 2N2907 | F0115 | 2-2-10 Q16 | 5961-14-231-2546 | 1 |
| 2N2907 | F0115 | 2-2-10 Q22 | 5961-14-231-2546 | 1 |
| 2N4034 | F3223 | 2-2-04-3Q301 | 5961-14-289-8914 | 1 |
| 2N5109 | 04713 | 2-2-04-4Q403 | 5961-00 | 1 |
| 2N5179 | 86684 | 2-2-04-3Q302 | 5961-00 | 1 |
| 2N918-1 | F0115 | 2-2-06 Q6 | 5961-14 | 1 |
| 3N159 | 86684 | 2-2-04-4Q402 | 5961-00 | 1 |
| 5STRIK004-3-5-10N470 | D8532 | 2-2-06 C31 | 5910-12 | 1 |
| 5STRIK004-6-22N1500 | D8532 | 2-2-04-3C344 | 5910-12 | 1 |
| 566-00HS10KK | F1379 | 2-2-10 R88 | 5905-14 | 1 |
| 566-00HS200UK | F1379 | 2-2-04-3R328 | 5905-14 | 1 |
| 8313A | F0318 | 2-2-04-3TP301 | 5935-14 | 1 |