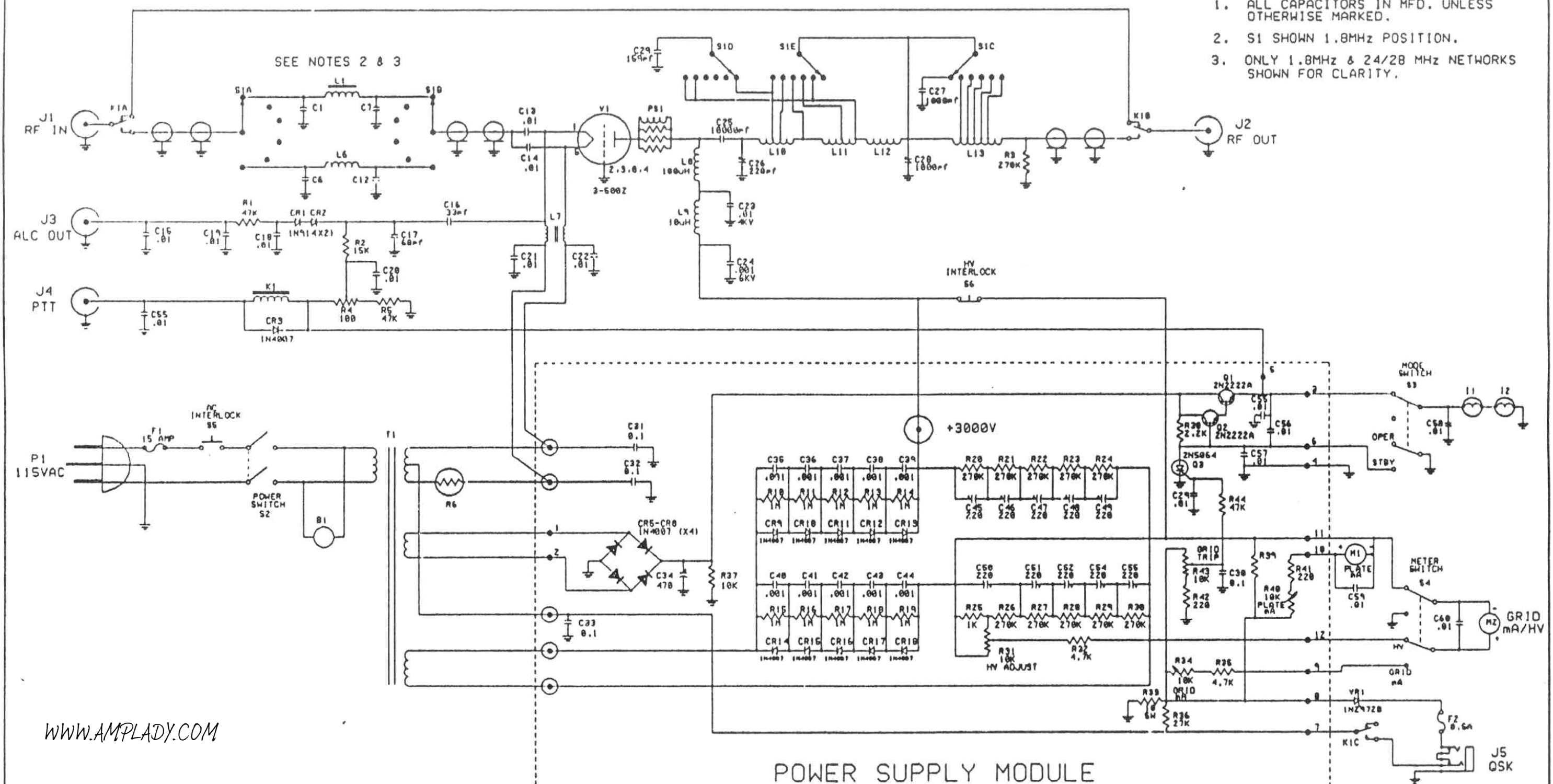


8.0 SCHEMATIC DIAGRAM

- NOTES:
1. ALL CAPACITORS IN MFD. UNLESS OTHERWISE MARKED.
 2. S1 SHOWN 1.8MHZ POSITION.
 3. ONLY 1.8MHZ & 24/28 MHZ NETWORKS SHOWN FOR CLARITY.



WWW.AMPLADY.COM

POWER SUPPLY MODULE
CAUTION
HIGH VOLTAGE

AEA ADVANCED ELECTRONIC APPLICATIONS, INC.			
TITLE SCHEMATIC DIAGRAM			
LA-30			
REV C	DATE 012-300	REV A	
DESIGNER HARTLEY	DATE 7-28-90	SHEET 1	OF 1