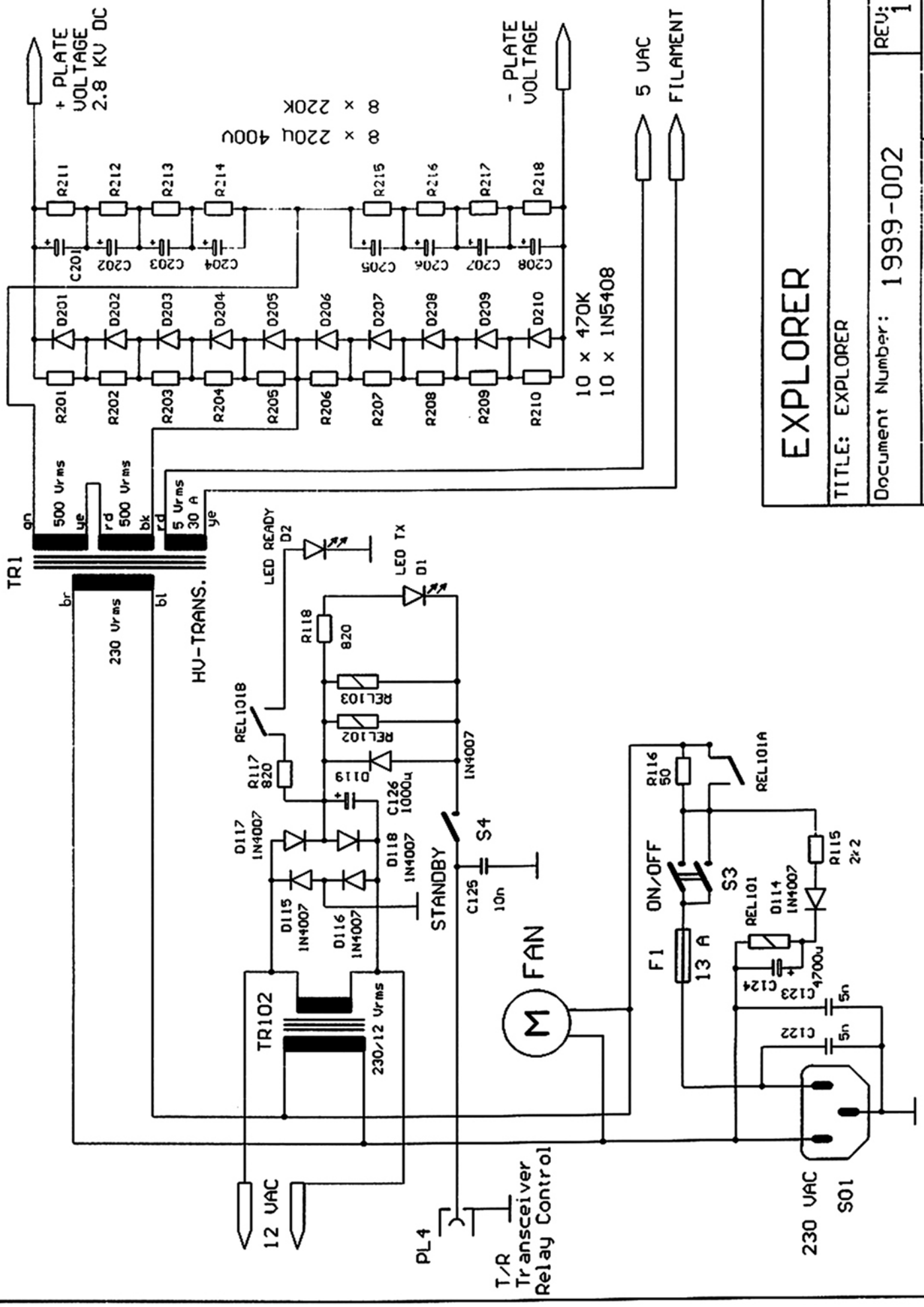


Linear **AMP** **UK**



Explorer 1200 ***Schematics and Parts List***



EXPLORER

TITLE: EXPLORER

Document Number: 1999-002

REV: 1

Date: 17.08.1999 18:42:06

Sheet: 2/2

EXPLORER

Partslist of electronic components

Ref.: Document Number 1999-002

Pos	Qty	Designation	Type/value
001	1	BS1	bandswitch / special ceramic switch
002	1	BS2	bandswitch / special ceramic switch
003	1	BS-A	160m-sw / LA UK
004	1	BS3/BS4	bandswitch / special ceramic switch
005	4	C1, C2, C3, C4	cer. cap. / 10n, 400 V
006	2	C5, C7	cer. cap / 1000p, 10 kV
007	1	C6	H.E.C. / 300p, 7.5 kV
008	1	C8	var. cap. LA UK / 150p, 6 kV, air
009	1	C9	var. cap. LA UK / 1000p, 3 kV, air
010	4	CH1, CH2	supp. choke / LA UK
011	1	CH3	cathode-choke / LA UK
012	1	CH4	plate-choke / LA UK
013	1	CH5	static supp. / 2 x 40 uH
014	1	D1	LED TX
015	1	D2	LED READY
016	1	F1	Fuse / 13 A
017	1	FAN	Fan / Pabst 4850 N
018	1	L1	Inductor / LA UK
019	1	L2	Inductor / Annecke 28 uH
020	2	M1, M2	Amp-Meter / 0 - 1 mA, SIFAM
021	1	P1	Potentiometer / 1k, 0.5 W
022	1	P2	Potentiometer / 10k, 0.5 W
023	2	PL1, PL2	Coax-Conn. / SO239, Amphenol
024	2	PL3, PL4	Phono-Conn. / RCA phono (Cinch)
025	6	R1 - R6	Resistor / 220, 2 W
026	1	S1	Switch / DPDT, Meter Grid C./RF-Volt.
027	1	S2	" / SPST, ALC Off
028	1	S3	" / DPST, Mains On
029	1	S4	" / SPST, Standby
030	1	SO1	Mains Conn. / 230 VAC
031	1	TR1	Main Transformer / LA UK, 1.2 KVA
		Toroid	
032	2	v1, v2	valve / 3-500ZG, Amperex, Graphite
101	1	C101	cer. cap. / 1699p, 2 kV
102	1	C102	" / 2200p, 2 kV
103	1	C103	" / 690p, 2 kV
104	1	C104	" / 690p, 2 kV
105	1	C105	" / 470p, 2 kV
106	1	C106	" / 320p, 2 kV
107	1	C107	" / 320p, 2 kV
108	1	C108	" / 220p, 2 kV
109	1	C109	" / 220p, 2 kV
110	1	C110	" / 150p, 2 kV
111	1	C111	" / 100p, 2 kV
112	1	C112	" / 000p, 2 kV
113	1	C113	" / 100p, 2 kV

114	1	C114	"	/ 000p, 2 kV
115	1	C115	"	/ 10n, 400 V
116	2	C116, C117	"	/ 47p, 200 V
117	1	C118	el. cap.	/ 4.7u, 400 V
118	2	C119, C120	cer. cap.	/ 1n, 400 V
119	1	C121	"	/ 10n, 400 V
120	2	C122, C123	foil cap.	/ 5 n, 230 VAC
121	1	C124	el. cap.	/ 4700u, 40 V
122	1	C125	cer. cap.	/ 10 n, 400 V
123	1	C126	el. cap.	/ 1000u, 25 V
124	4	D101 - D104	Si-Diode	/ 1N4007
125	4	D105 - D108	Zenerdiode	/ 1N5338
126	3	D109 - D111	Si-Diode	/ 1N4148
127	1	D113	Ge-Diode	/ OA91
128	6	D112, D114 - D119	Si-Diode	/ 1N4007
129	7	L101 - L107	Inductor Input	/ LA UK
130	1	PT101	Trimm-Pot.	/ 470, 0.5 W
131	1	PT102	"	/ 470, 0.5 W
132	1	R101,	Cer. Resistor	/ E47, 4 W
133	1	R102	Resistor	/ 330 0.5 W
134	4	R103 - 106	Resistor	/ 4R7, 4 W
135	1	R107	"	/ 82, 7 W
136	1	R108	"	/ 22k, 7 W
137	1	R109	"	/ 3k9, 0.5 W
138	1	R110	"	/ 27k, 0.5 W
139	1	R111	"	/ 68k, 0.5 W
140	1	R112	"	/ 820, 0.5 W
141	1	R113	"	/ 10k, 0.5 W
142	1	R114	"	/ 68k, 0.5 W
143	1	R115	"	/ 2k2, 50 W
144	1	R116	"	/ 50, 50 W
145	1	REL101	Relay	/ 24 V, D.Pole
146	1	REL102	"	/ 12 V, D.Pole
147	1	REL103	"	/ 12 V, D.Pole
148	1	TR101	Transformer	12/230 V
149	1	TR102	Transformer	230/12 V
201	8	C201 - C208	el. cap.	/ 220u, 400 VDC
202	10	D201 - D210	Si-Diode	/ 1N5408, 1200 V @ 3 A
203	10	R201 - R210	Resistor	/ 470k, 2 W
204	8	R211 - R218	"	/ 220k, 2 W

Remark:

Position-Numbers starting with 0 are mounted to the front-panel or the chassis

Position-Numbers starting with 1 are mounted on the main circuit board

Position-Numbers starting with 2 are mounted on the high voltage power supply board