



ACOM101



BAND

7 10 14
3.5 18-21
1.8 24-28

50 200 400 600 800
FWD
30 120 240 G1 G2 IP F
RFL

LOAD

30 40 50 60 70 80 90 100
20 10 0

TUNE

30 40 50 60 70 80 90 100
20 10 0

OPER

RTTY

A1 A2

TX



ON

HF LINEAR AMPLIFIER



ACOM101

BAND

7 10 14
3.5 18-21
1.8 24-28

50 200 400 600 800
FWD
30 120 240 G1 G2 IP F
RFL



LOAD

30 40 50 60 70 80 90 100
20
10
0

TUNE

30 40 50 60 70 80 90 100
20
10
0

OPER

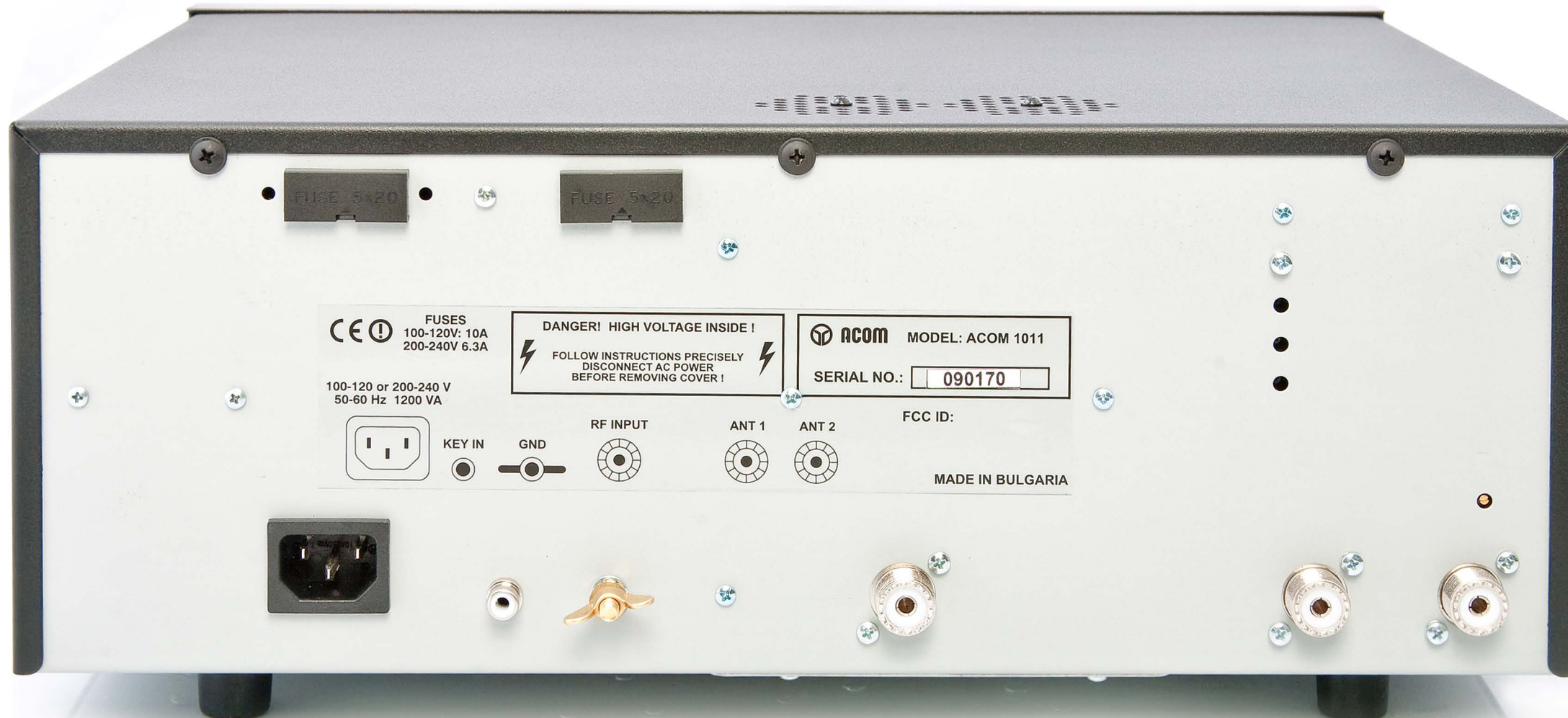
RTTY

A1 A2

TX

ON

HF LINEAR AMPLIFIER



CE FUSES
100-120V: 10A
200-240V 6.3A

100-120 or 200-240 V
50-60 Hz 1200 VA



KEY IN

GND

RF INPUT

ANT 1

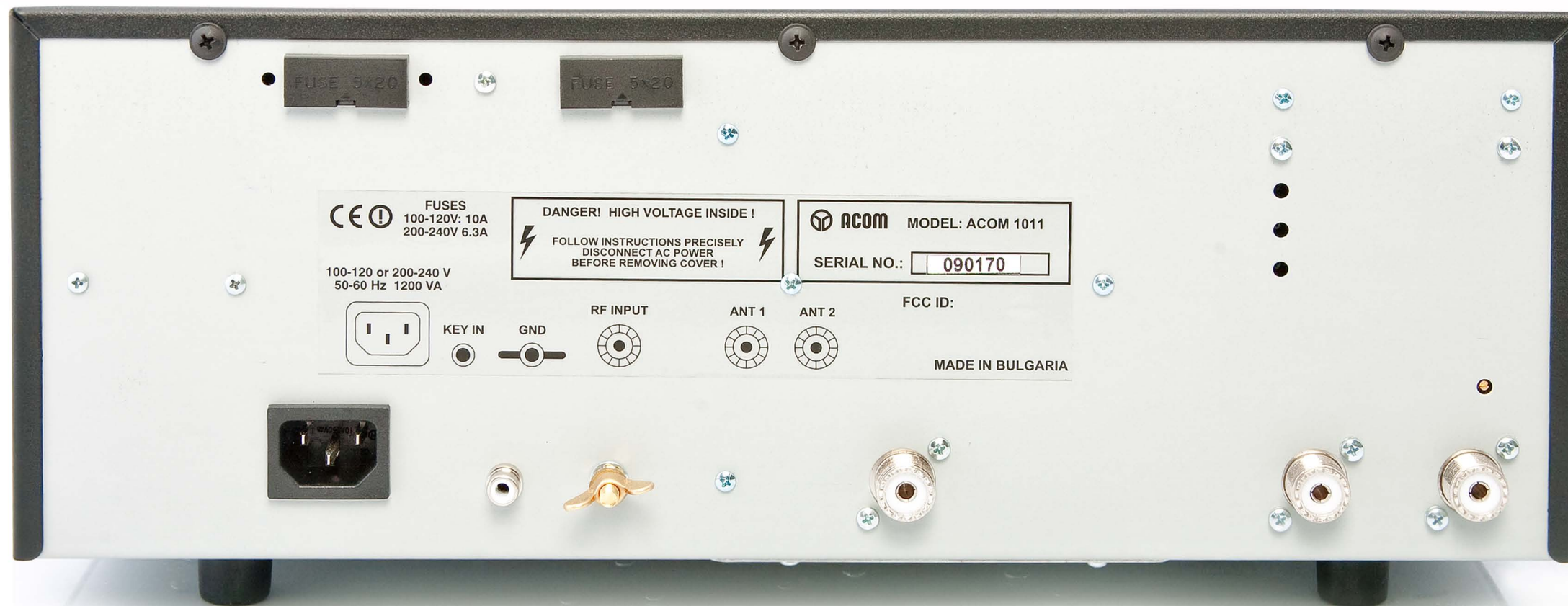
ANT 2

FCC ID:

MADE IN BULGARIA

DANGER! HIGH VOLTAGE INSIDE!
FOLLOW INSTRUCTIONS PRECISELY
DISCONNECT AC POWER
BEFORE REMOVING COVER!

ACOM MODEL: ACOM 1011
SERIAL NO.: 090170



CE FUSES
100-120V: 10A
200-240V 6.3A

100-120 or 200-240 V
50-60 Hz 1200 VA



KEY IN

GND

RF INPUT

ANT 1

ANT 2

FCC ID:

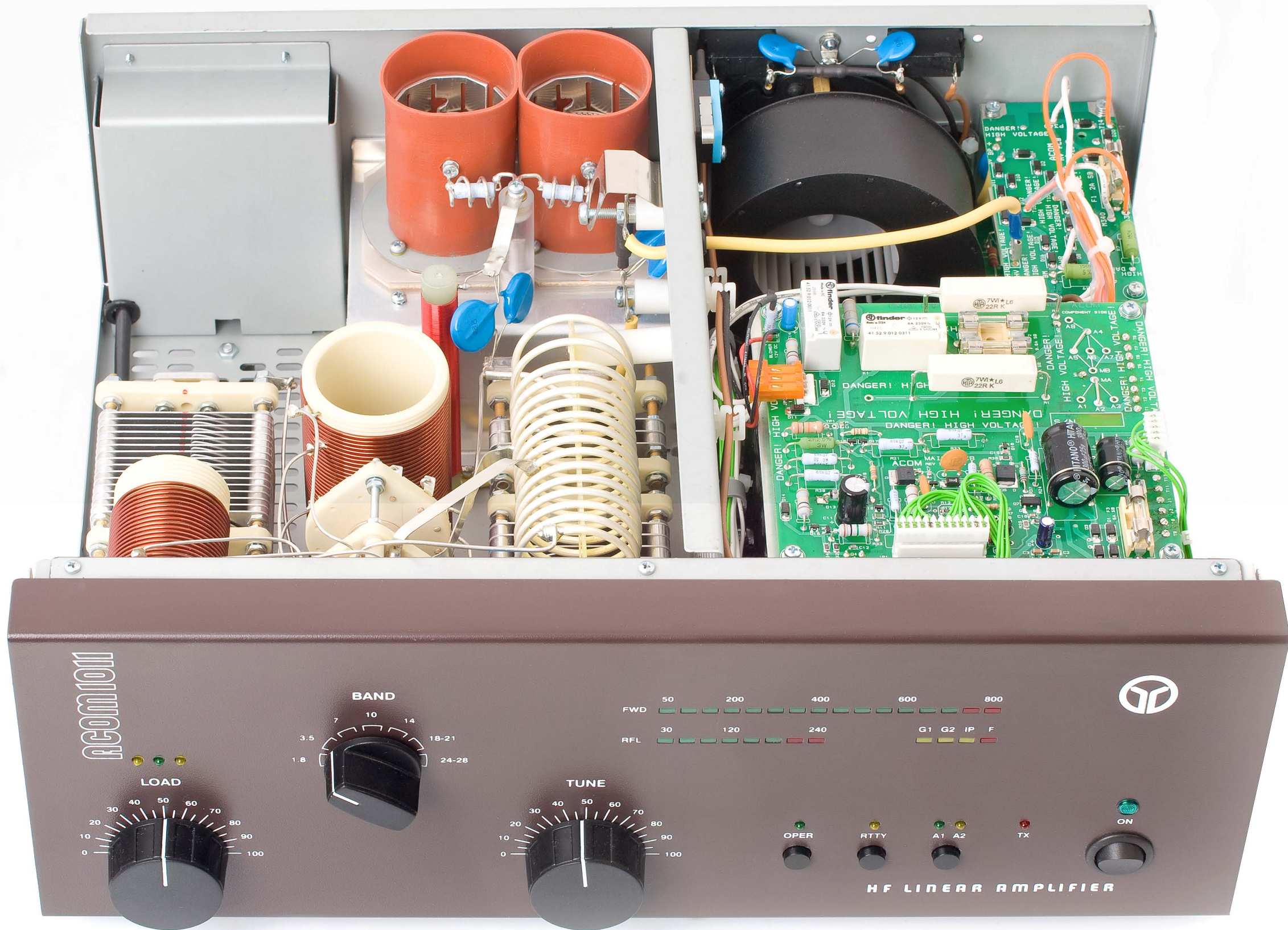
MADE IN BULGARIA

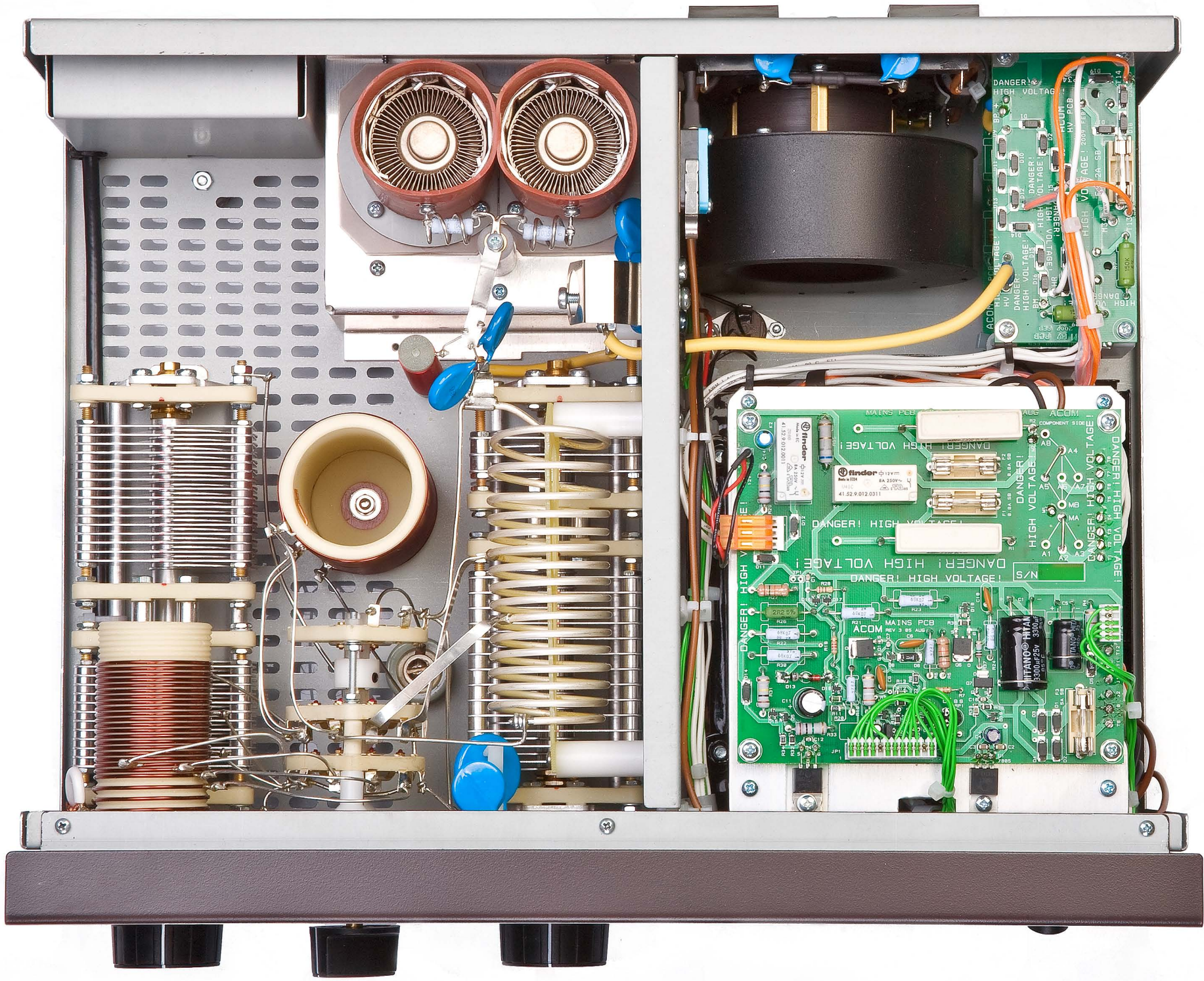
DANGER! HIGH VOLTAGE INSIDE!

FOLLOW INSTRUCTIONS PRECISELY
DISCONNECT AC POWER
BEFORE REMOVING COVER!

ACOM MODEL: ACOM 1011

SERIAL NO.: 090170

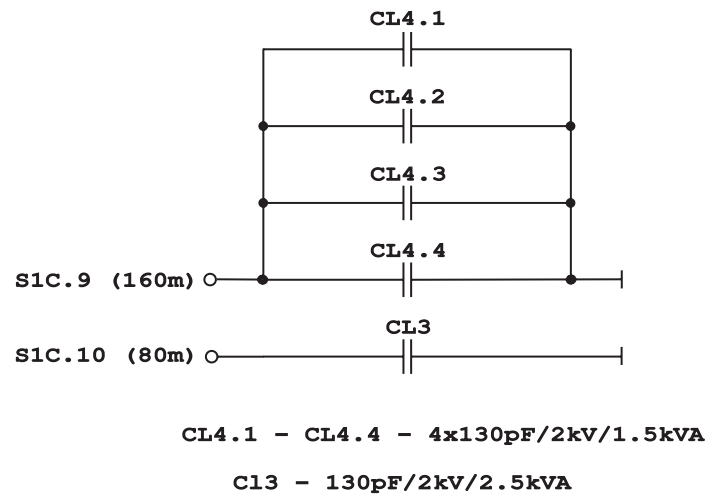


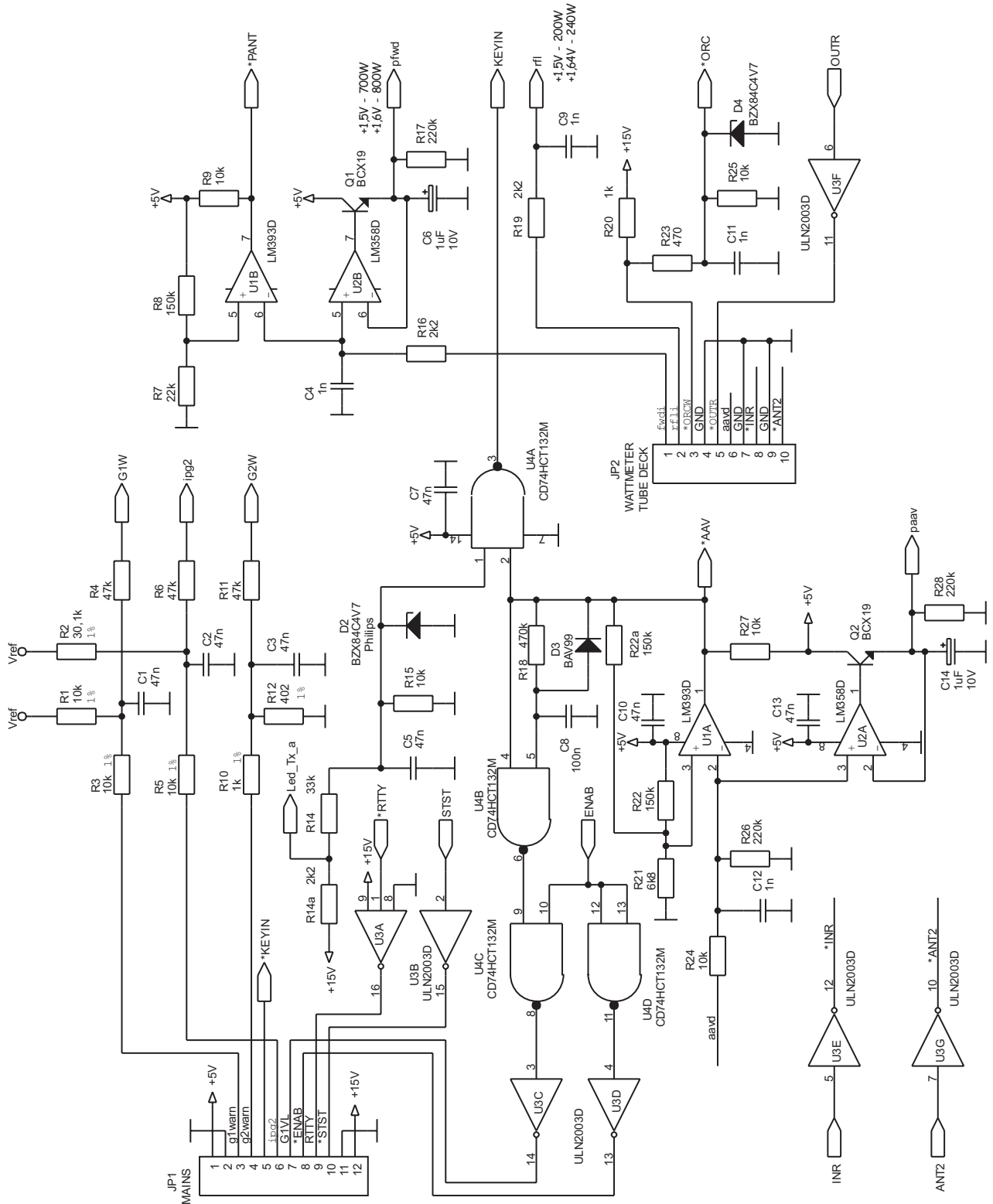


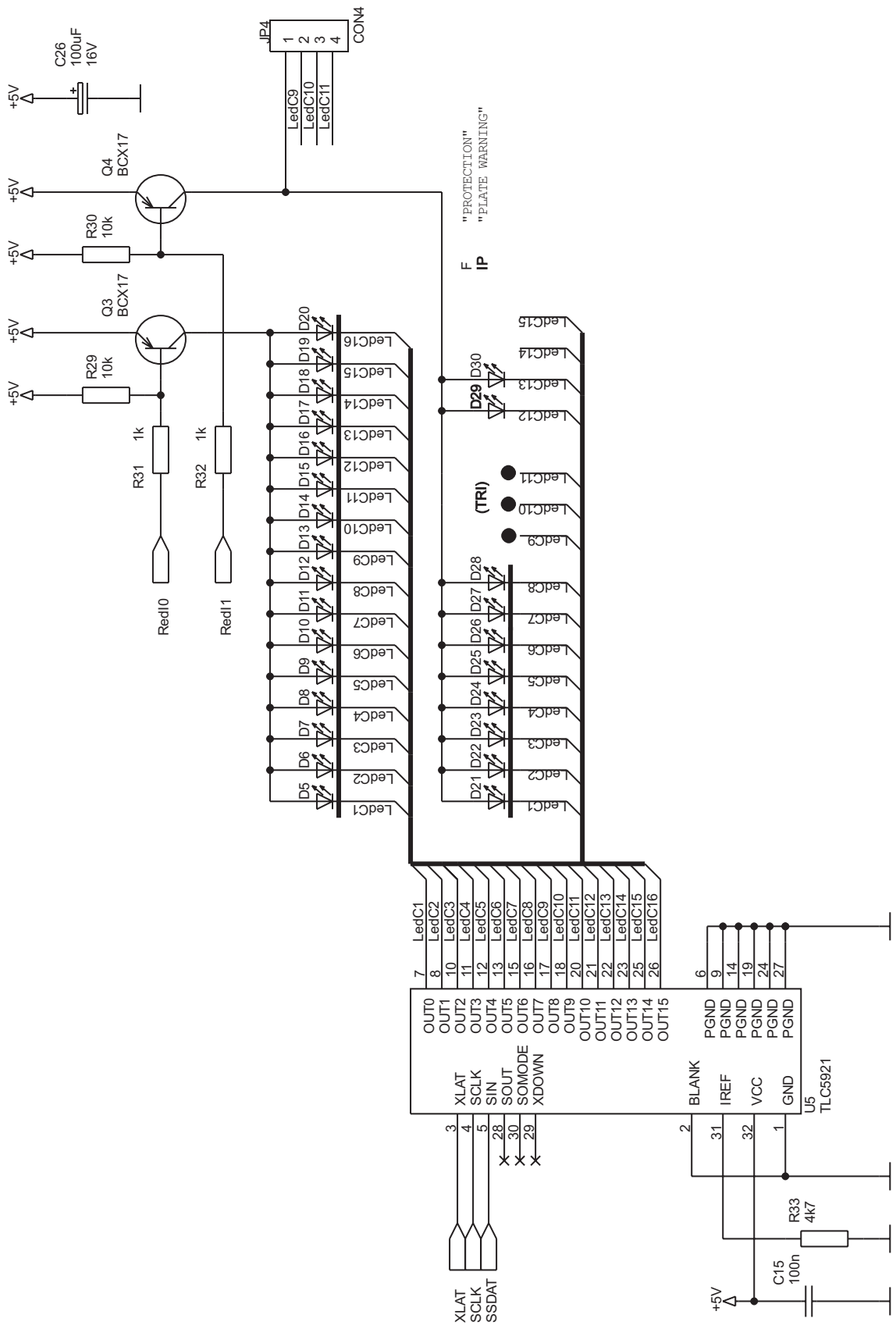
Appendix A

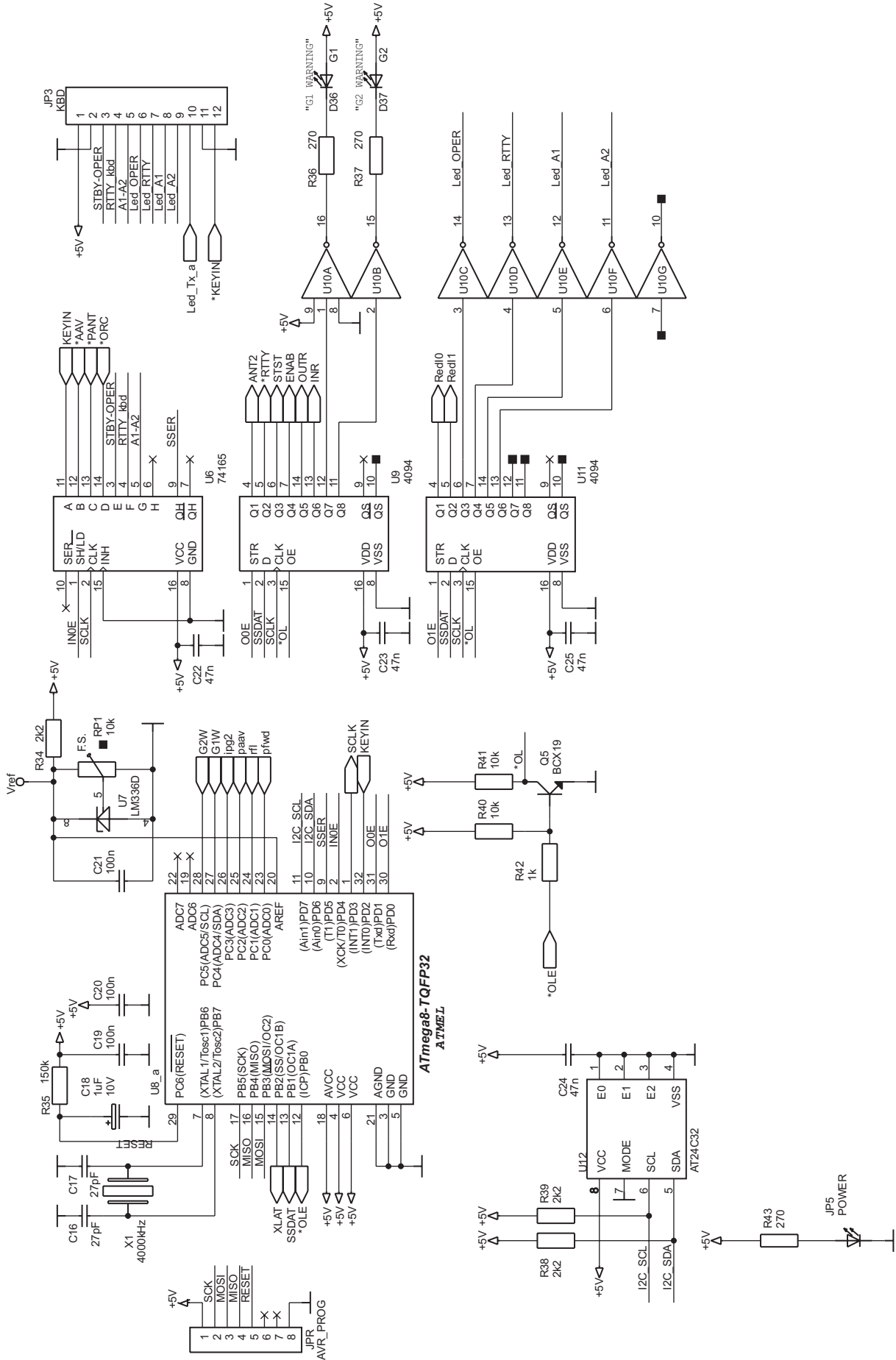
Schematics diagrams

Description	page
1. Padding Capacitor 160&80m.	2
2. Control	3
3. HV Rectifier.	6
4. HV Filter.	7
5. Input board	8
6. Keyboard.	9
7. Mains&LV Power Supply.. . . .	10
8. True Resistance Indicator.	14
9. Wattmeter.	15

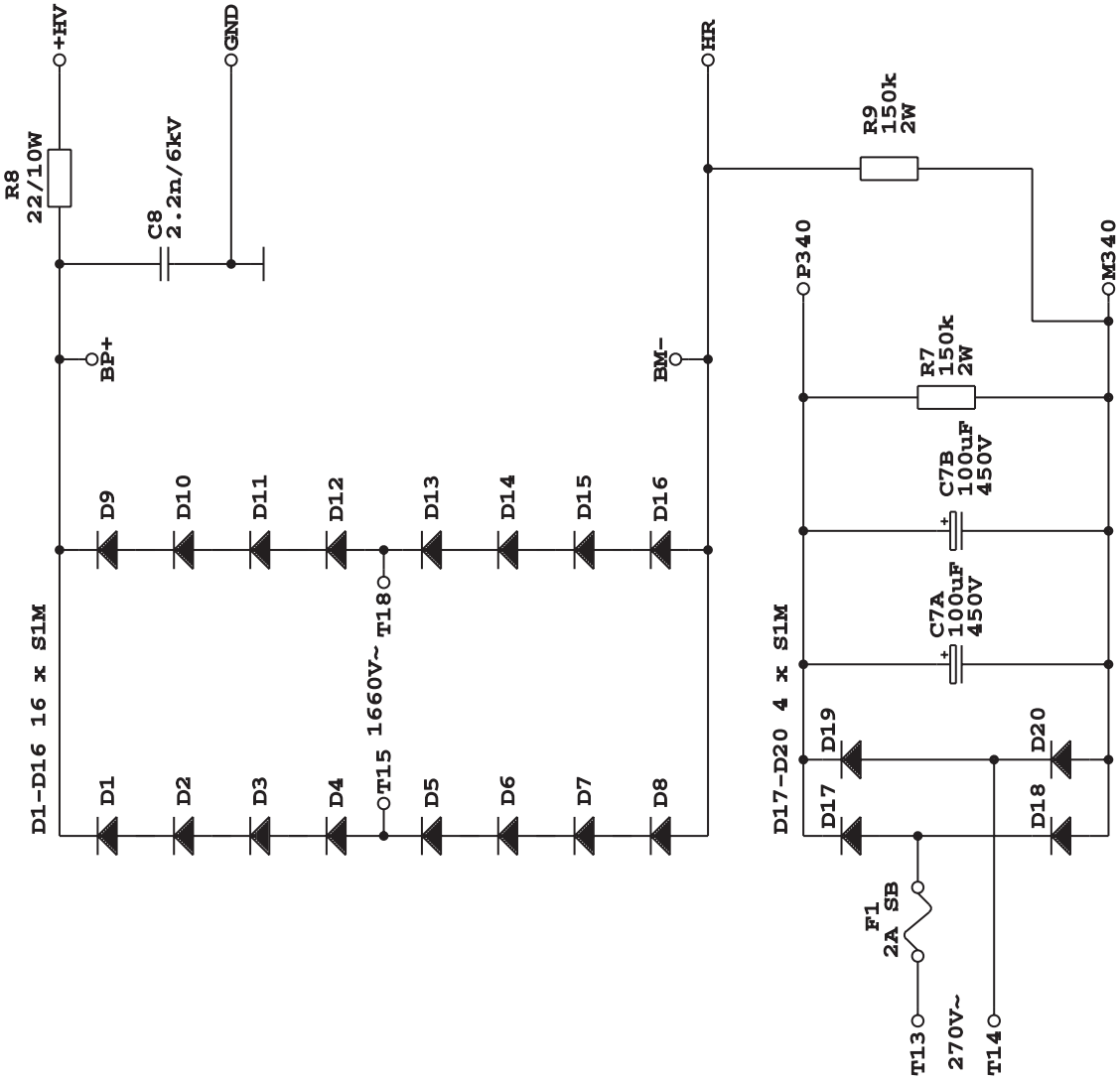




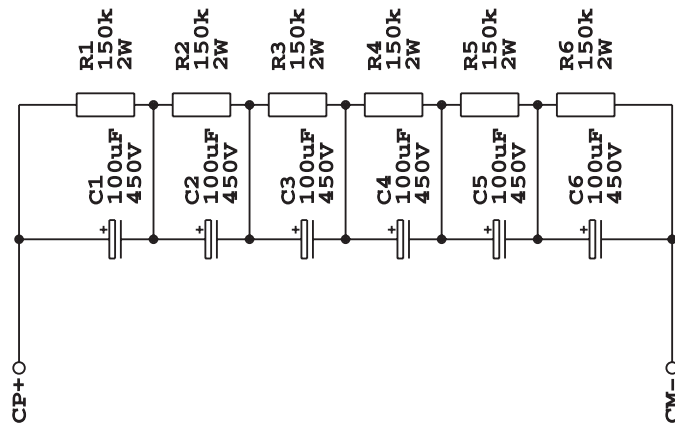


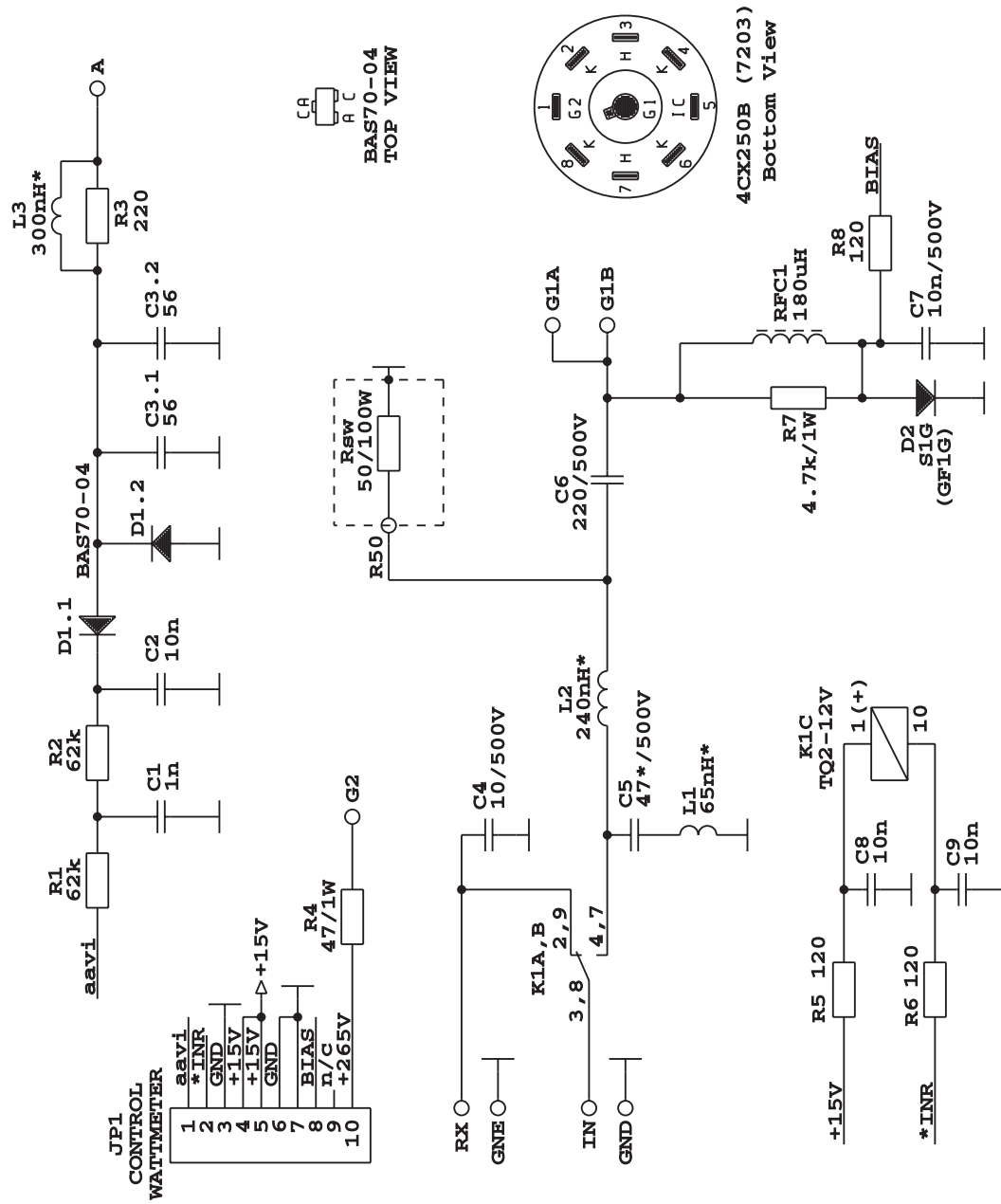


CONTROL
Schematic diagram Sht. 3 of 3

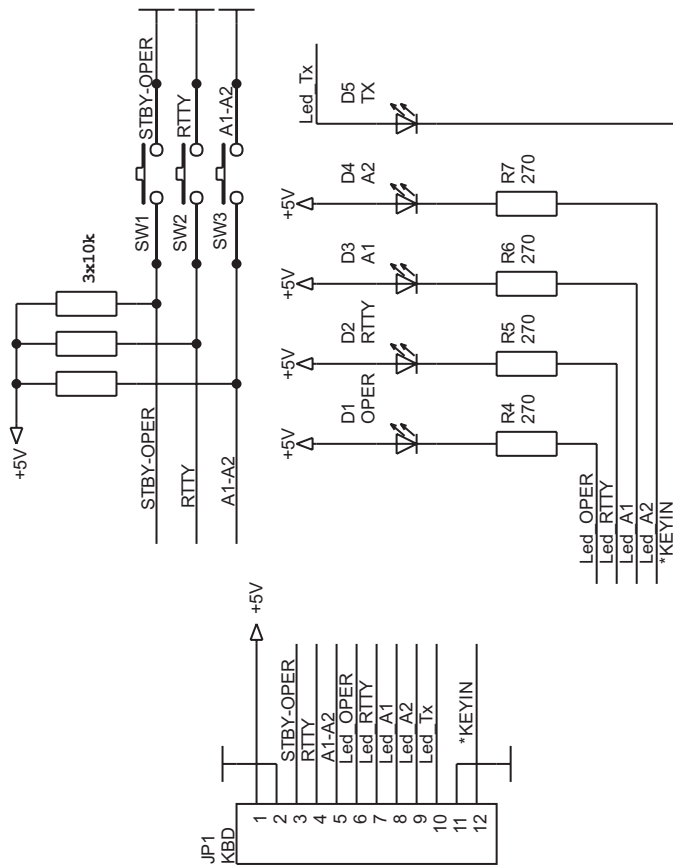


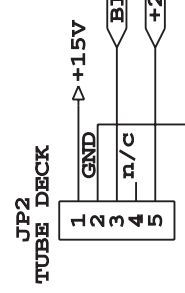
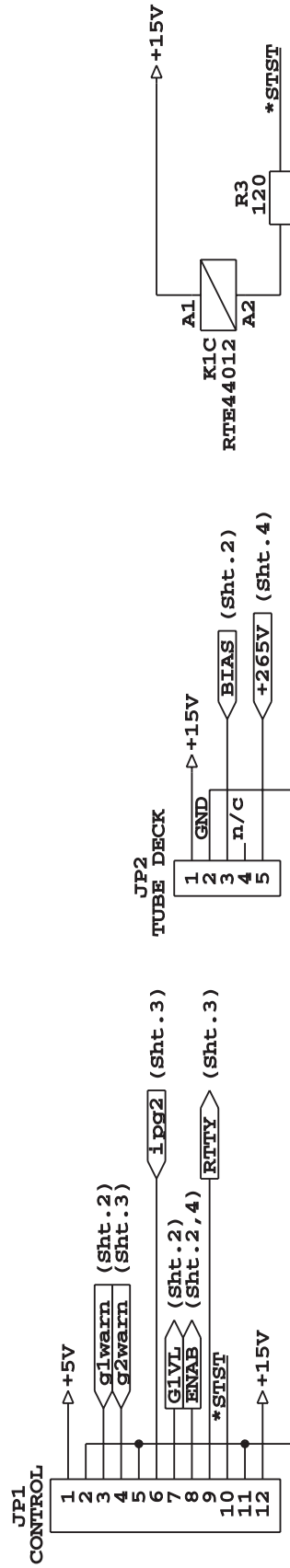
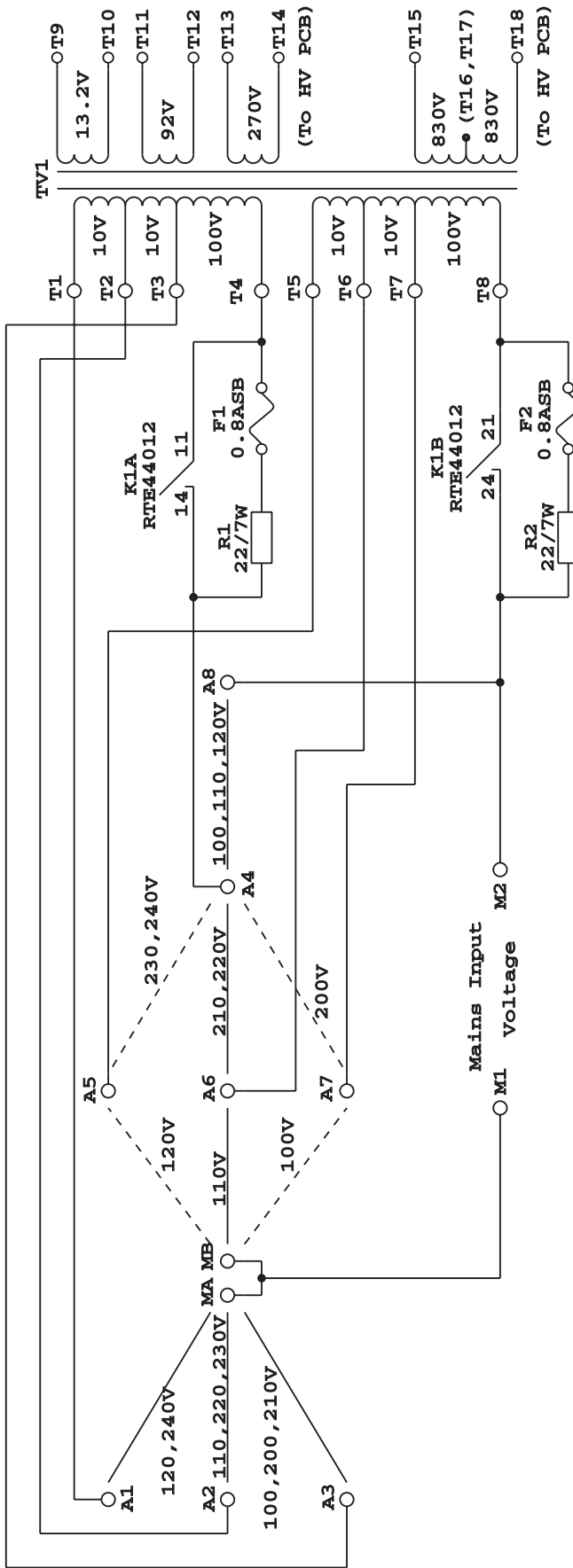
HV Rectifier
Schematic diagram Sht. 1 of 1





INPUT BOARD
Schematic diagram Sht.1 of 1

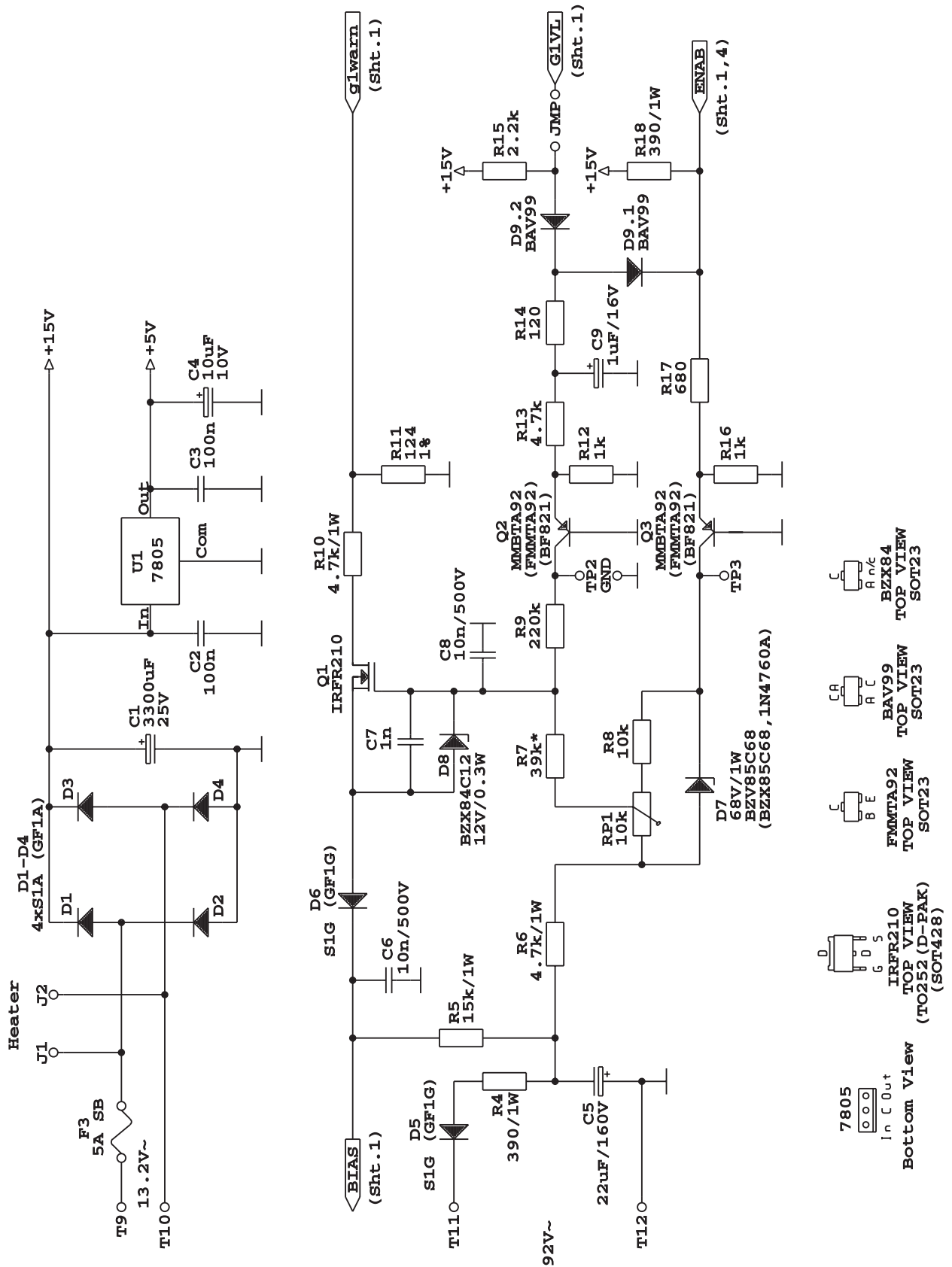


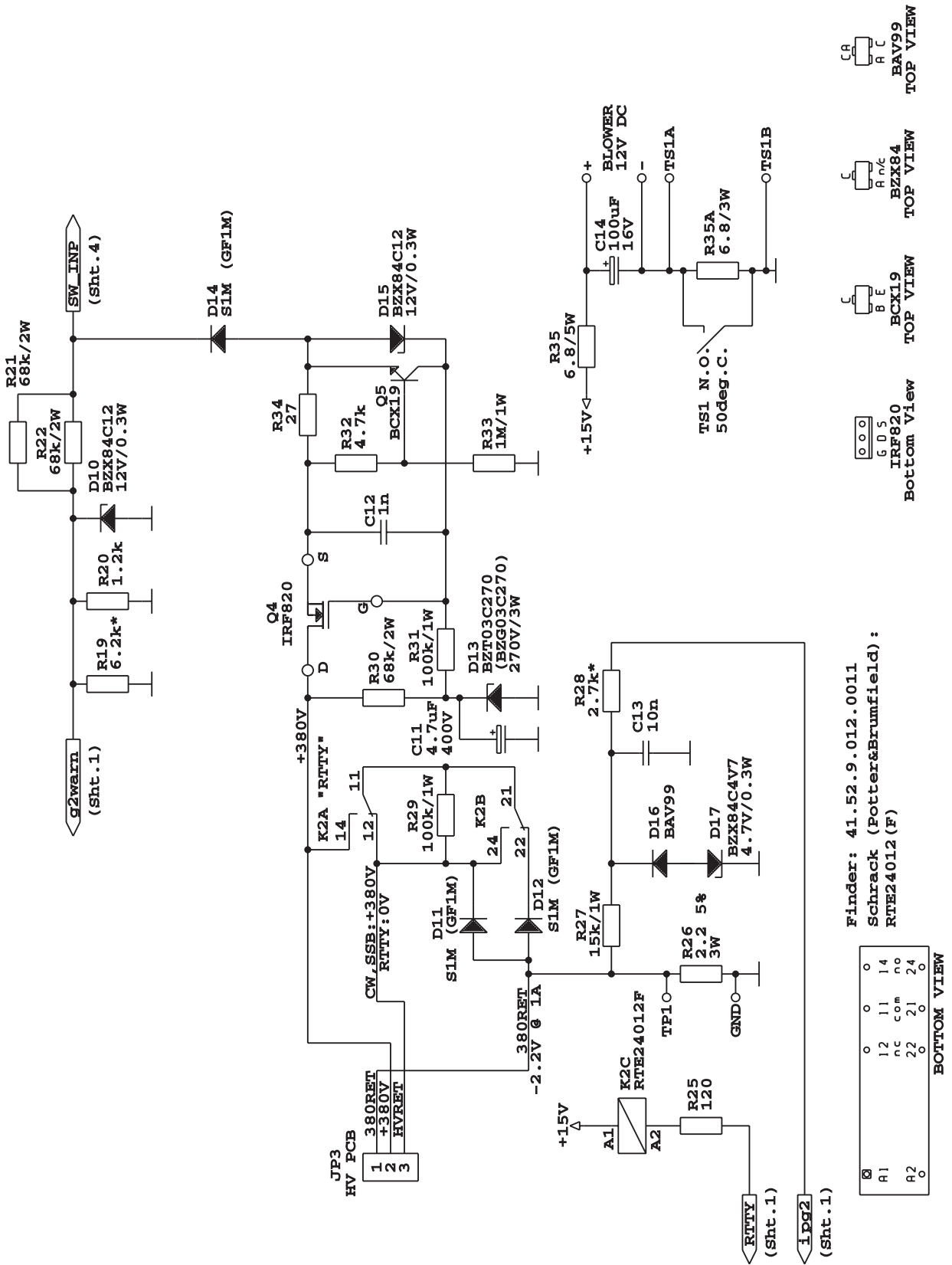


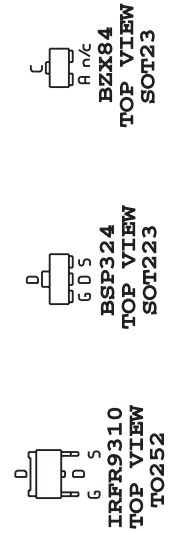
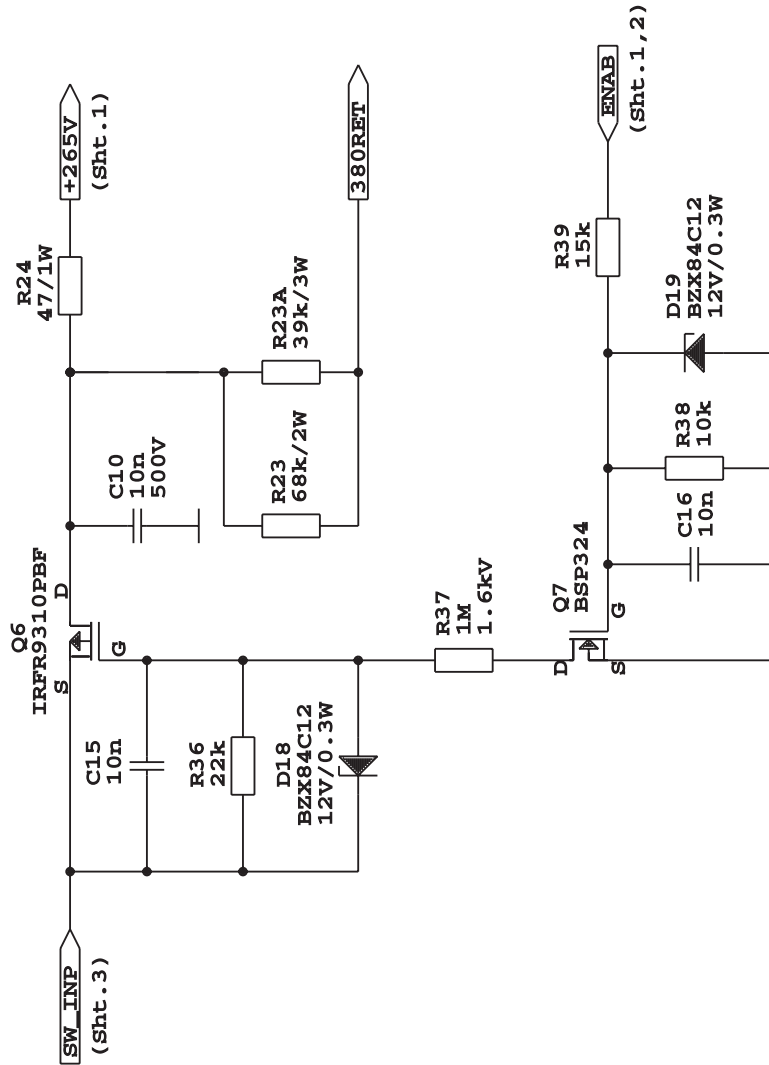
⊗	A1	0	0	0	0
	A2	12	11	14	14
	A3	n/c	com	no	no
	A4	22	21	24	24
		0	0	0	0

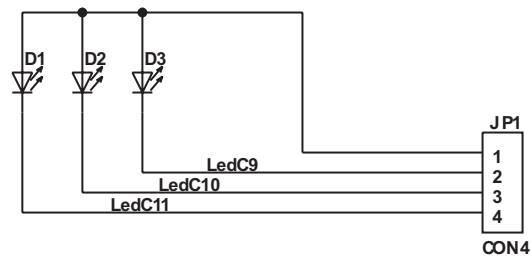
RTE44012 BOTTOM VIEW

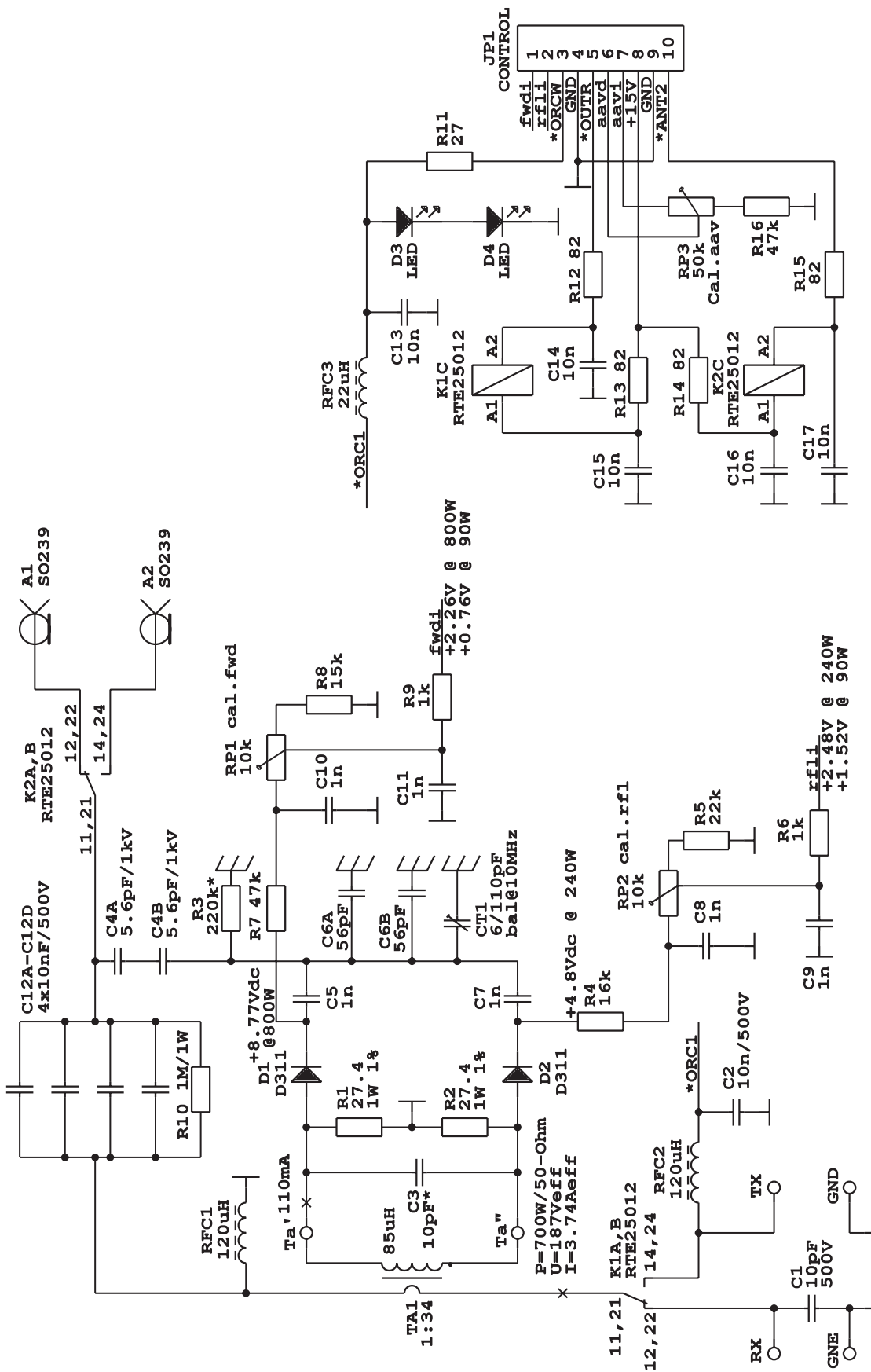
MAINS&LV POWER SUPPLY
Schematic diagram Sht. 1 of 4











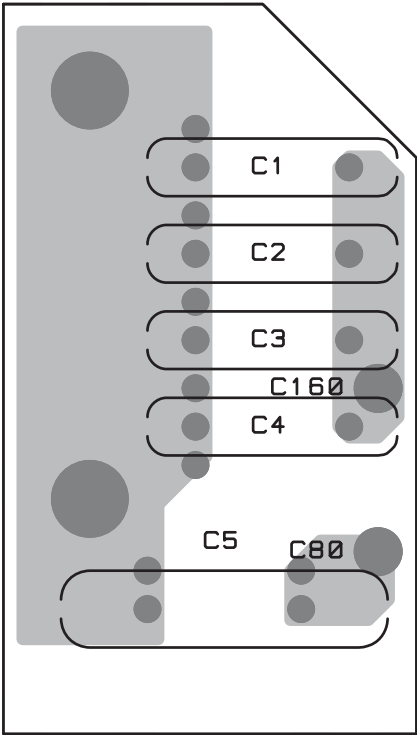
Finder: 41.52.9.012.5011
Schrack (Potter&Brumfield):
RTE25012 (F)

Pin	1	2	3	4	5	6	7	8	9	10
A1	0	0	0	0	0	0	0	0	0	0
A2	12	11	14	nc	com	no	22	21	24	0

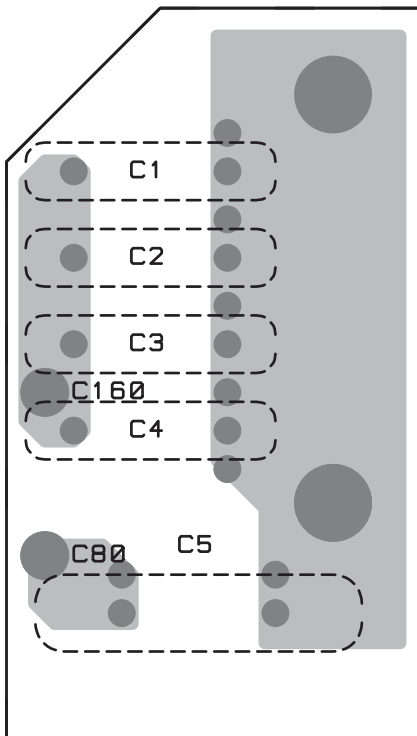
RTE25012 BOTTOM VIEW

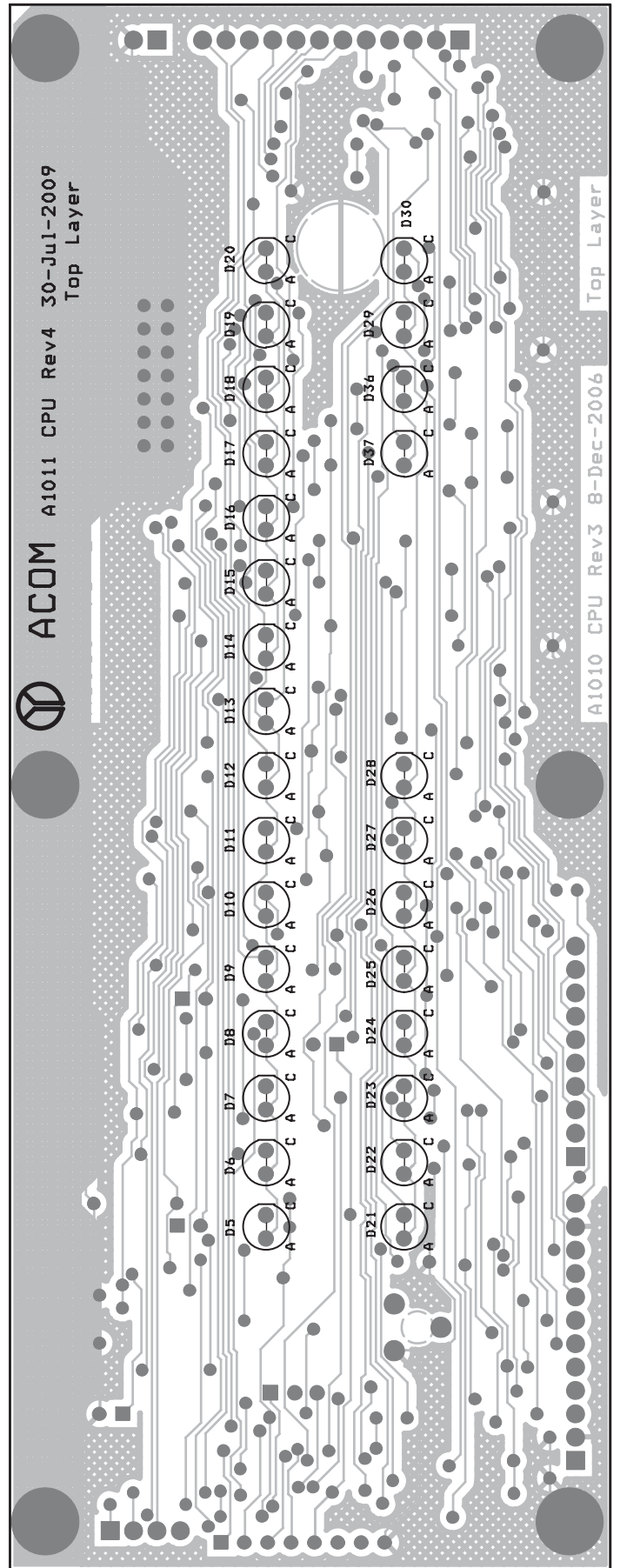
Appendix B PCB Layouts

Description	page
1. Padding Capacitor 160&80m.	2
2. Control.	4
3. HV Rectifier	6
4. HV Filter	8
5. Input Board	10
6. Keyboard.	12
7. Mains&LV Power Supply	14
8. True Resistance Indicator.	16
9. Wattmeter.	18

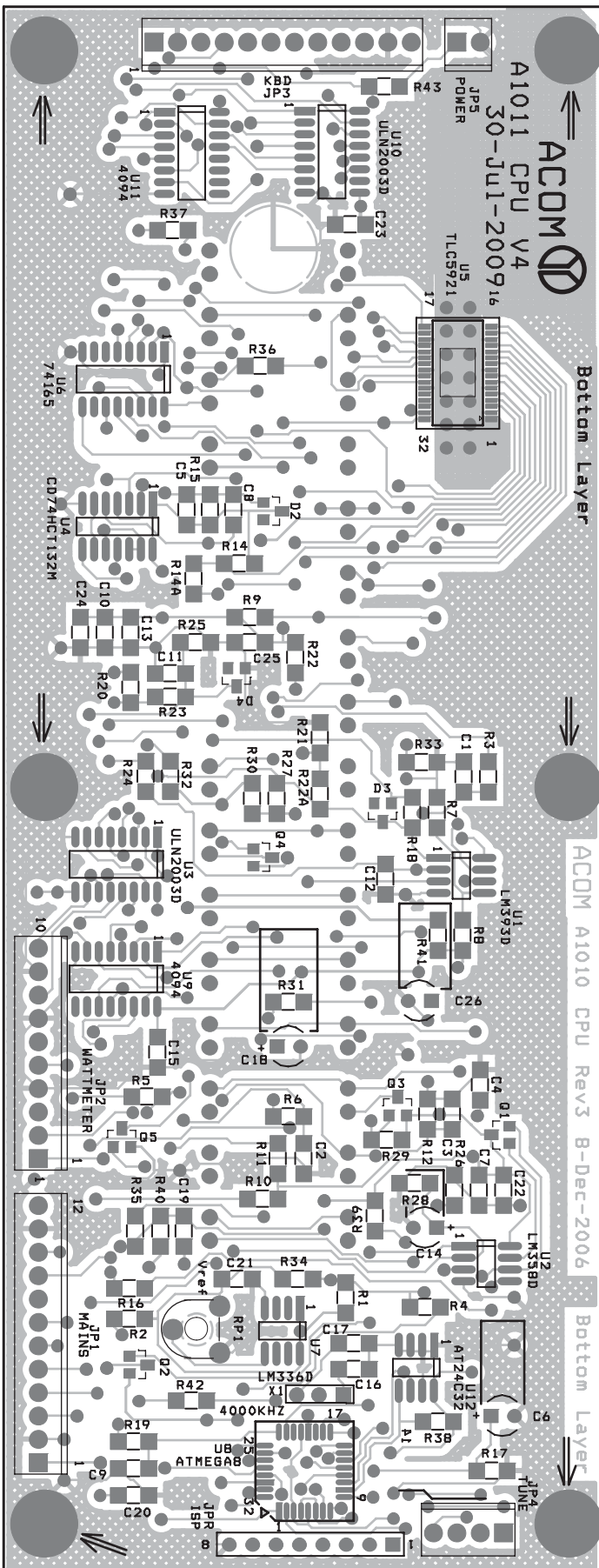


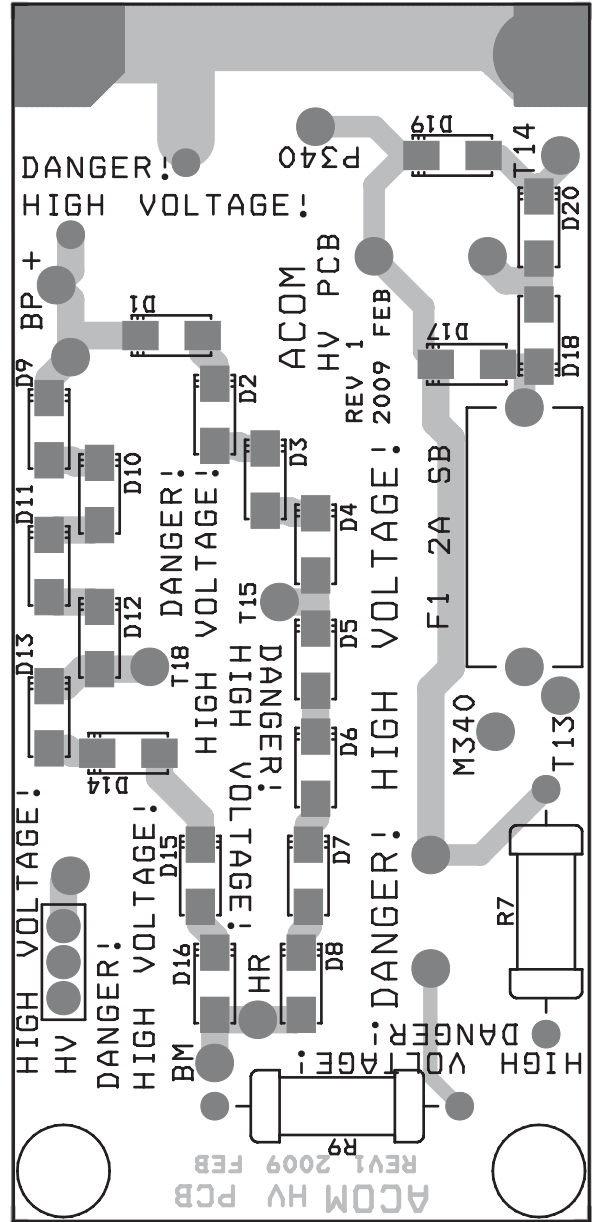
**PADDING CAPACITOR 160&80m
Component side**



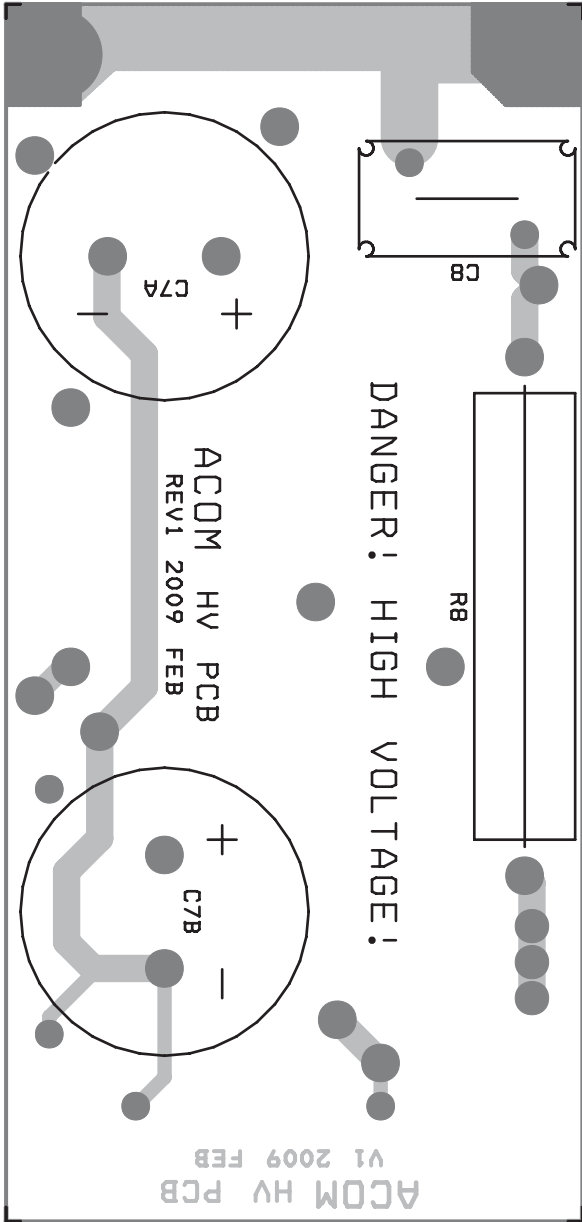


CONTROL
Component side

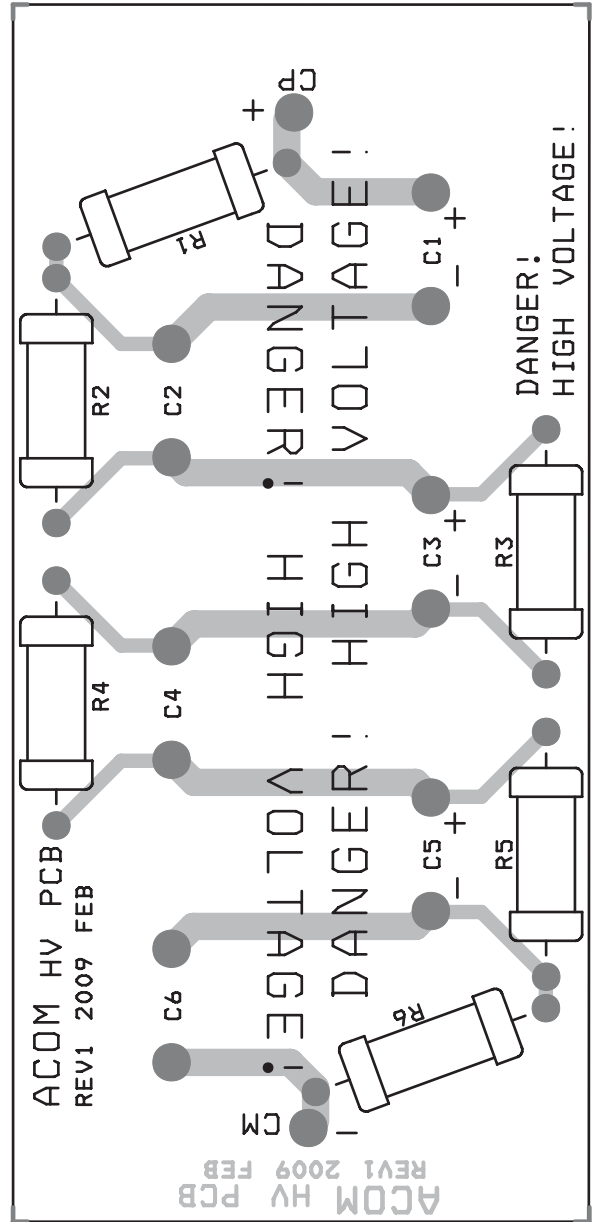




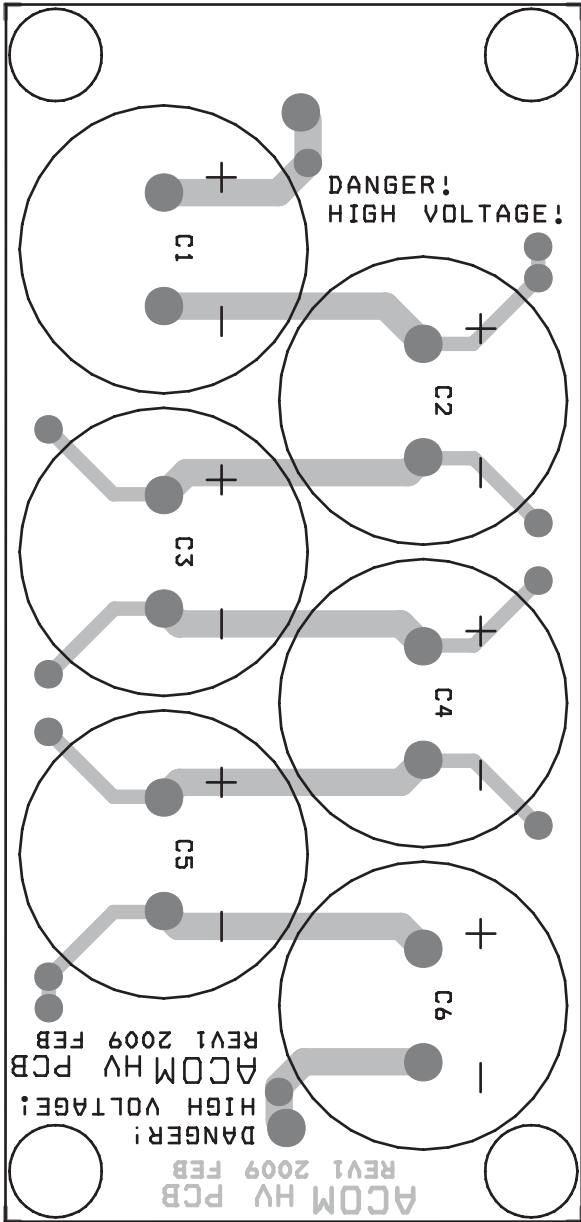
HV RECTIFIER
Component side



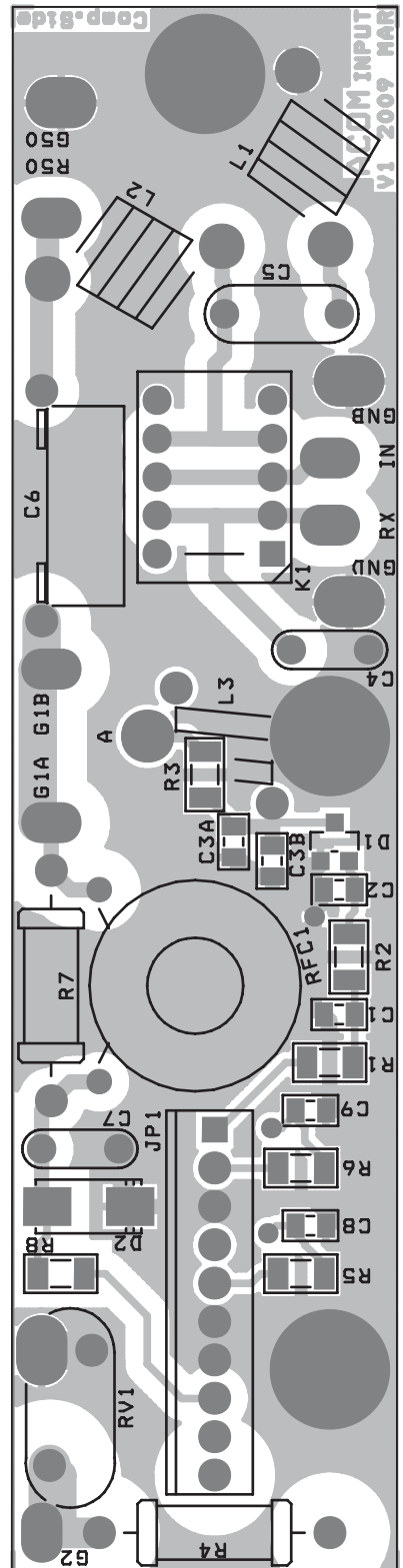
HV RECTIFIER
Solder side



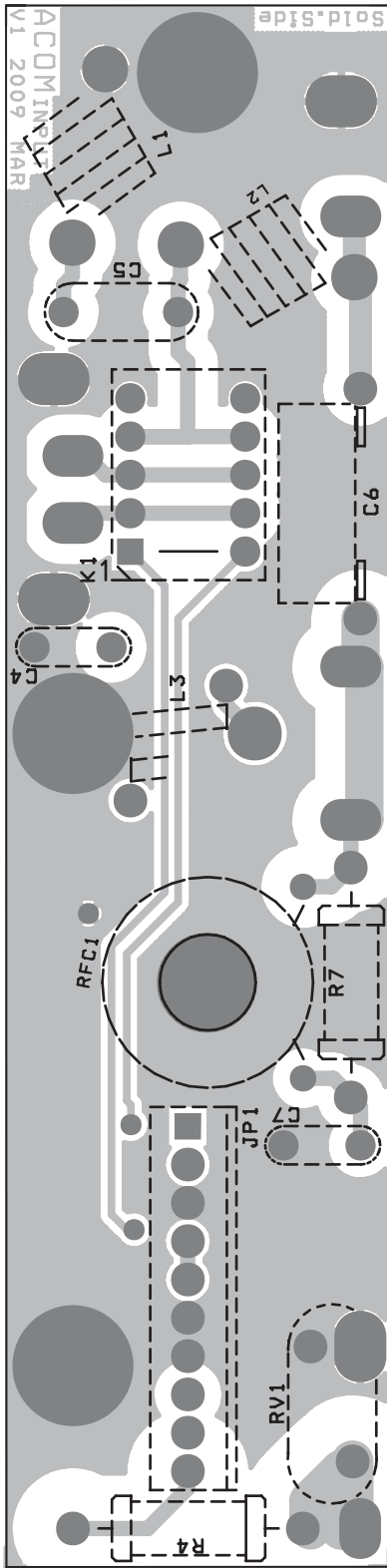
HV FILTER
Component side



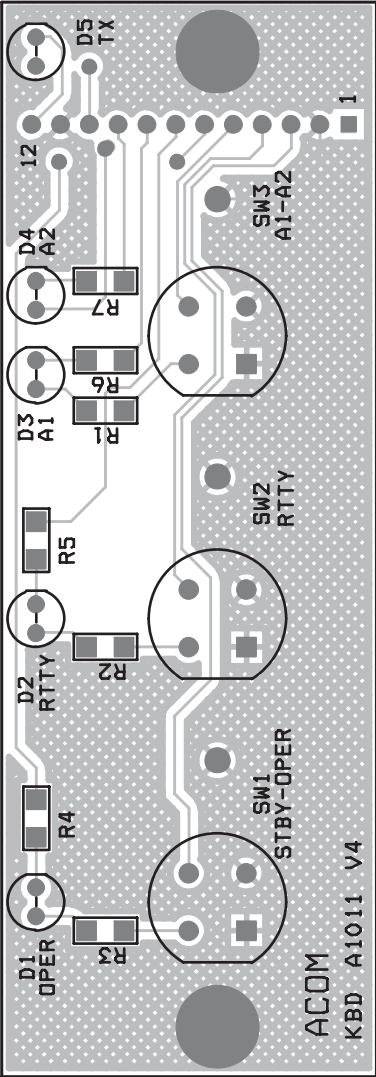
HV FILTER
Solder side

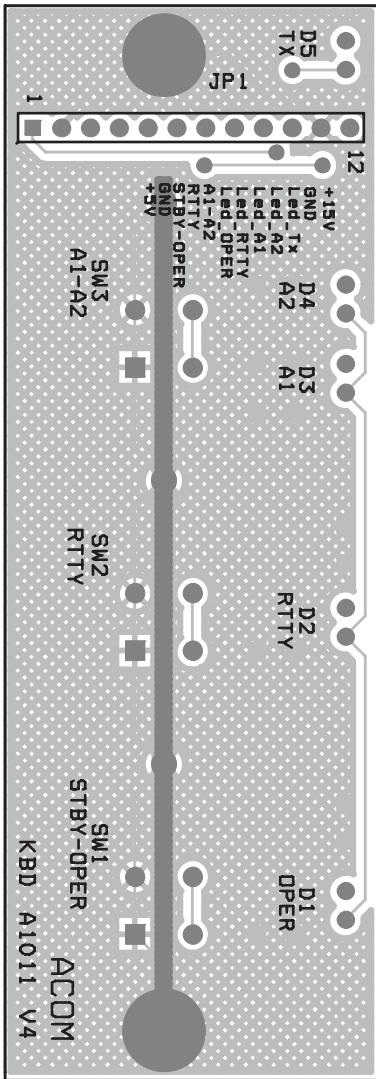


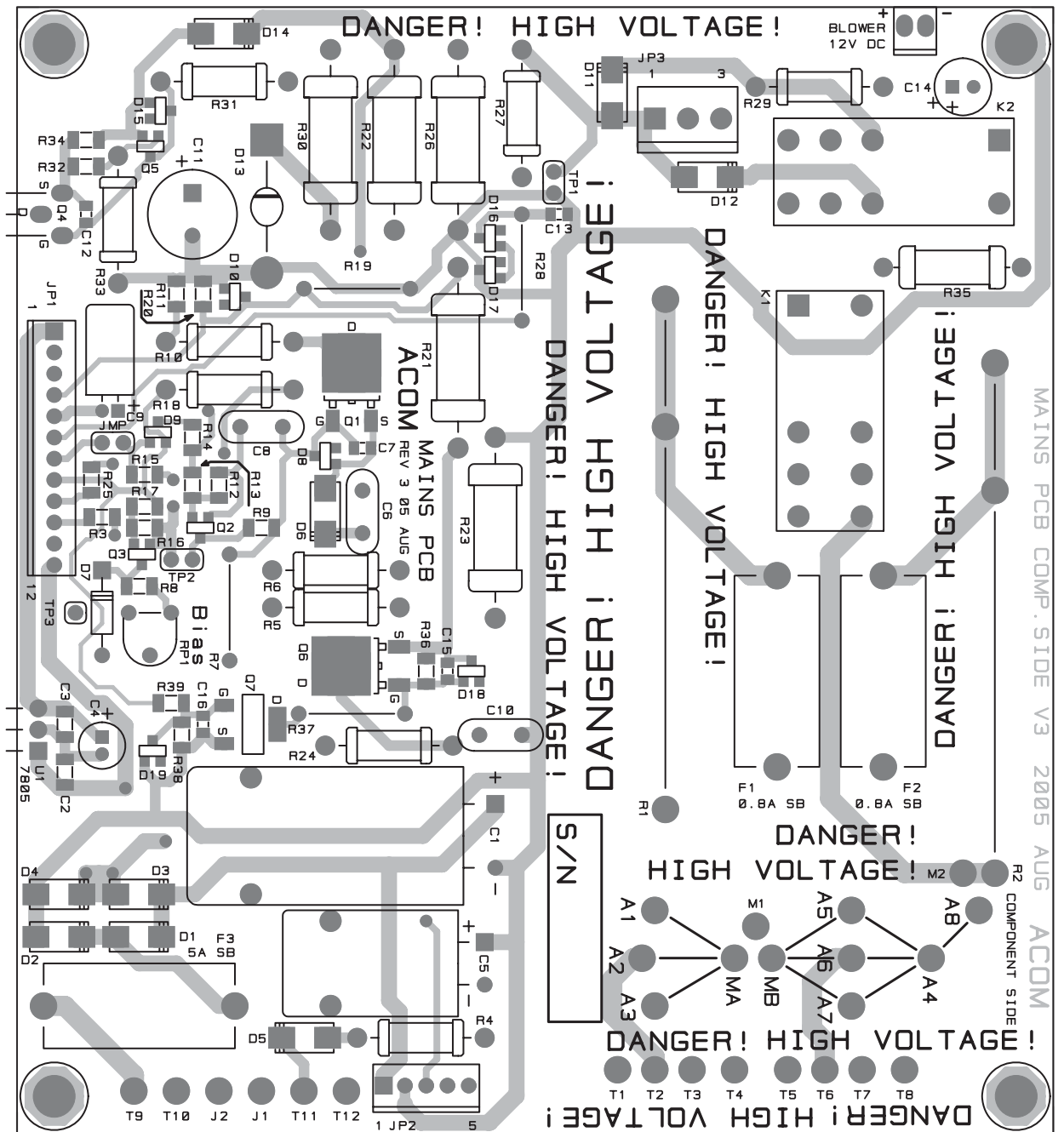
INPUT BOARD
Component side



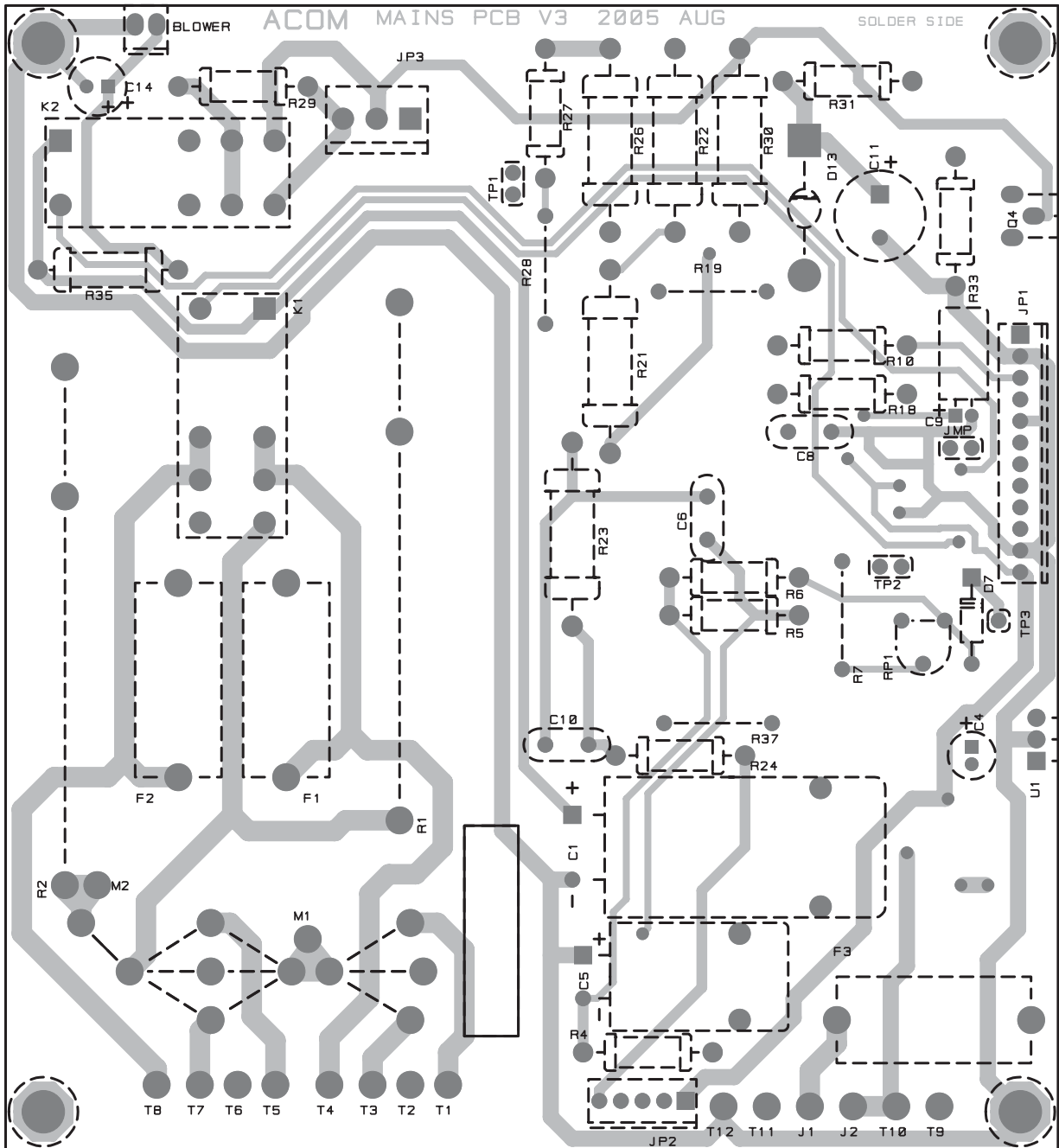
INPUT BOARD
Solder side



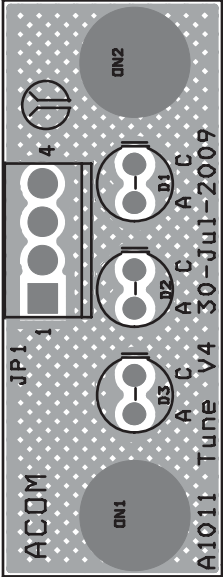


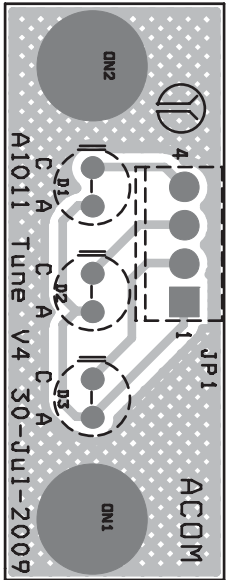


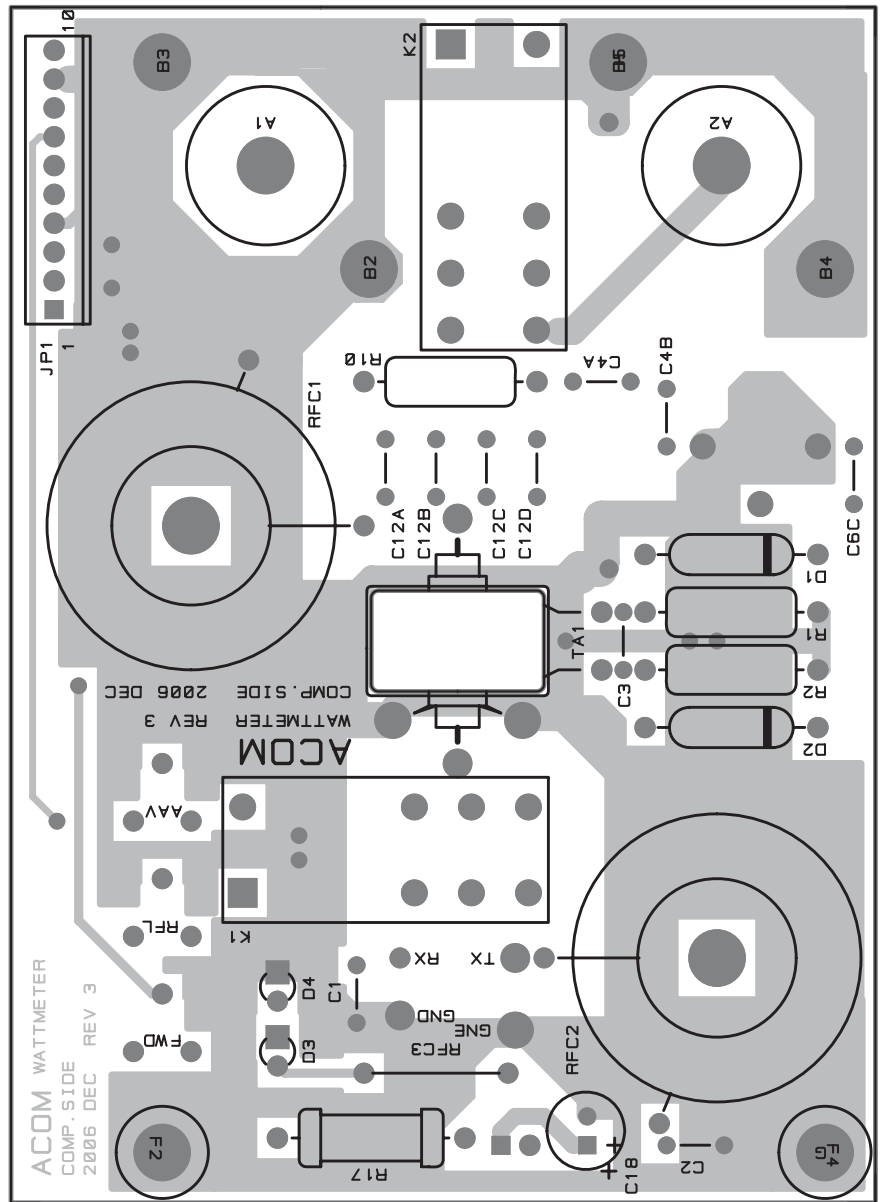
MAINS&LV POWER SUPPLY
Component side



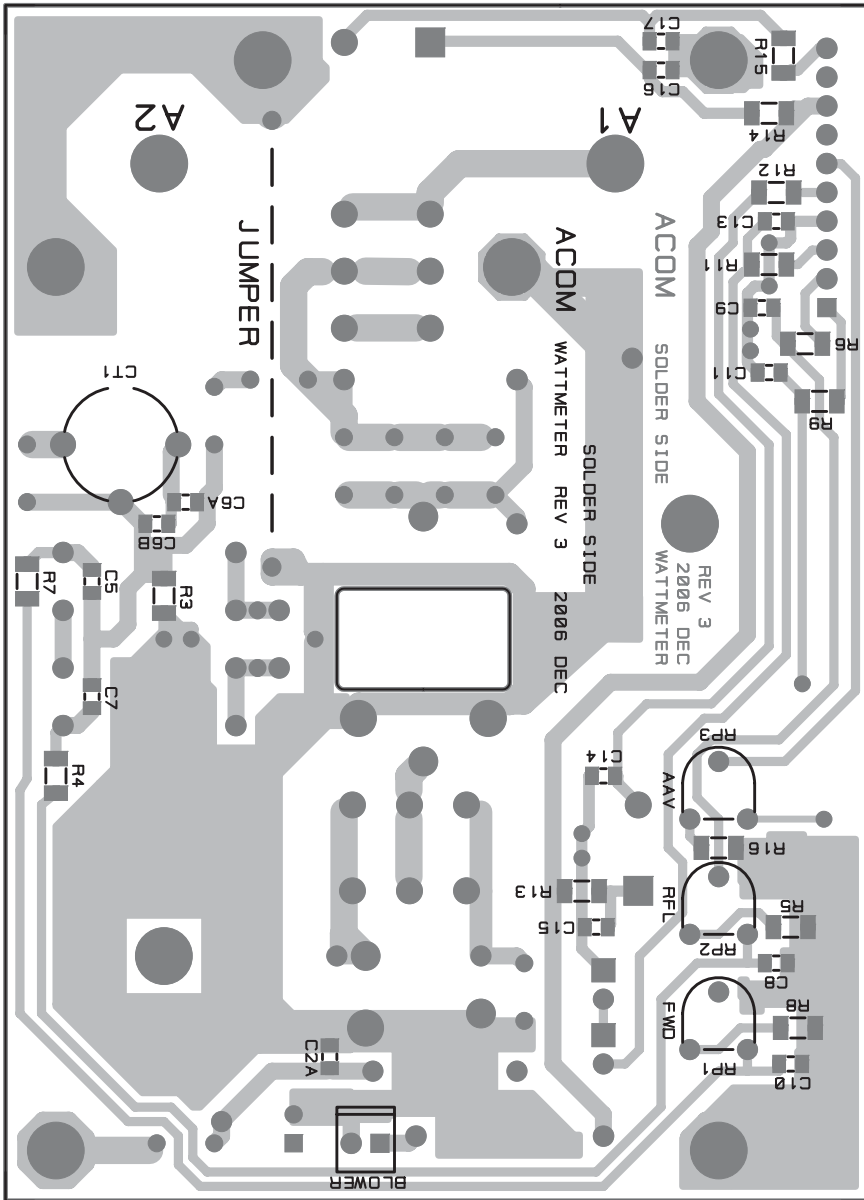
MAINS&LV POWER SUPPLY
Solder side







WATTMETER
Component side



WATTMETER
Solder side