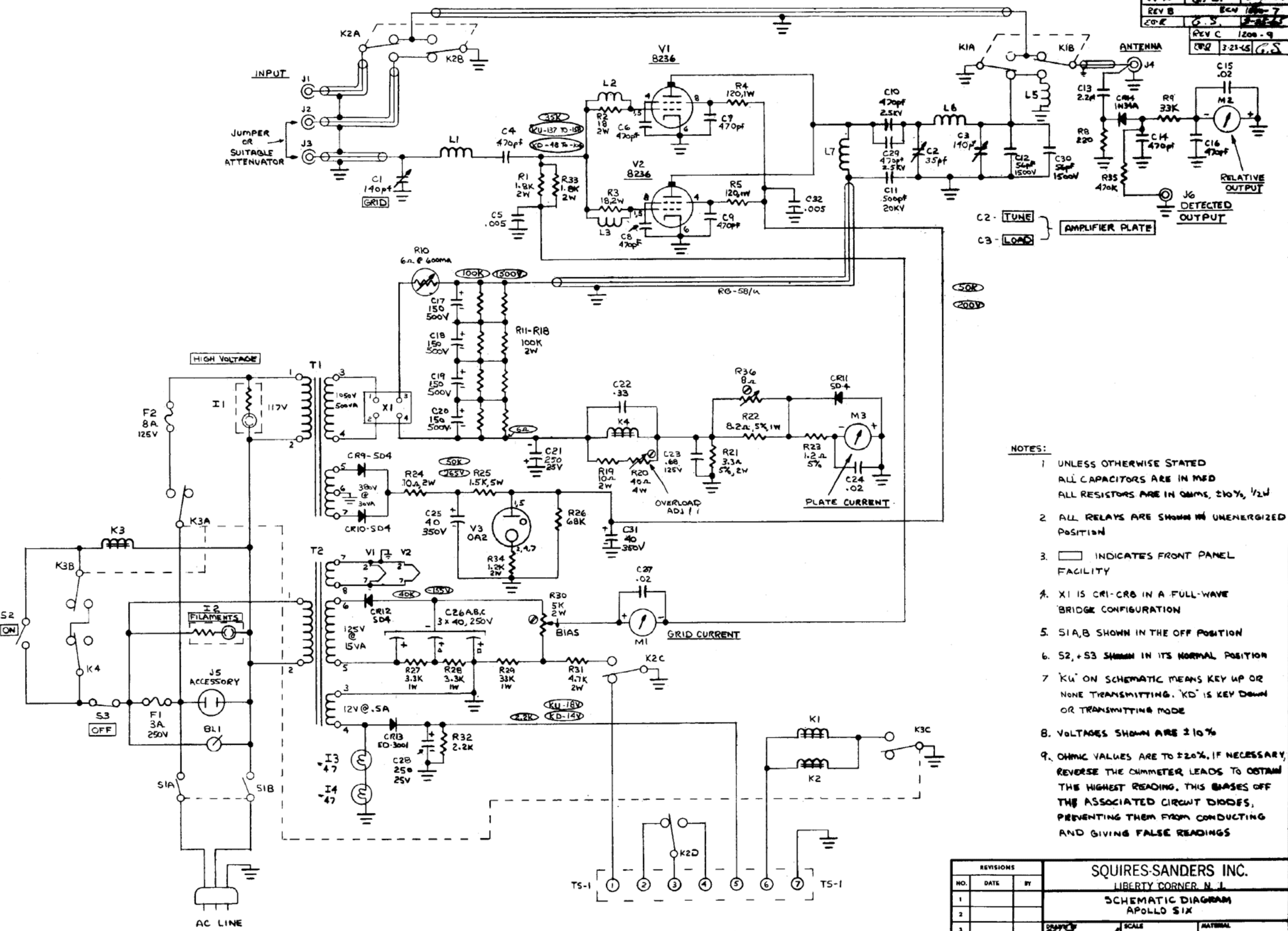


REV A	ECN 1200-3
EPD	G.S. 2-11-65
REV B	ECN 1000-7
EDR	G.S. 2-25-65
REV C	1200-9
CRG	3-23-65 G.S.



- NOTES:**
- UNLESS OTHERWISE STATED ALL CAPACITORS ARE IN MFD ALL RESISTORS ARE IN OHMS, $\pm 10\%$, $\frac{1}{2}W$
 - ALL RELAYS ARE SHOWN IN UNENERGIZED POSITION
 - INDICATES FRONT PANEL FACILITY
 - X1 IS CR1-CR6 IN A FULL-WAVE BRIDGE CONFIGURATION
 - S1A,B SHOWN IN THE OFF POSITION
 - S2, S3 SHOWN IN ITS NORMAL POSITION
 - 'K' ON SCHEMATIC MEANS KEY UP OR NONE TRANSMITTING. 'KD' IS KEY DOWN OR TRANSMITTING MODE
 - VOLTAGES SHOWN ARE $\pm 10\%$
 - OHMIC VALUES ARE TO $\pm 20\%$. IF NECESSARY, REVERSE THE OHMMETER LEADS TO OBTAIN THE HIGHEST READING. THIS BIASES OFF THE ASSOCIATED CIRCUIT DIODES, PREVENTING THEM FROM CONDUCTING AND GIVING FALSE READINGS

REVISIONS		
NO.	DATE	BY
1		
2		
3		
4		
5		

SQUIRES-SANDERS INC.			
LIBERTY CORNER, N. J.			
SCHEMATIC DIAGRAM			
APOLLO SIX			
DRAWN BY	SCALE	MATRIAL	
CHKD BY	DATE	DRWING NO.	REV
TRACED	APPD	C10-621	C