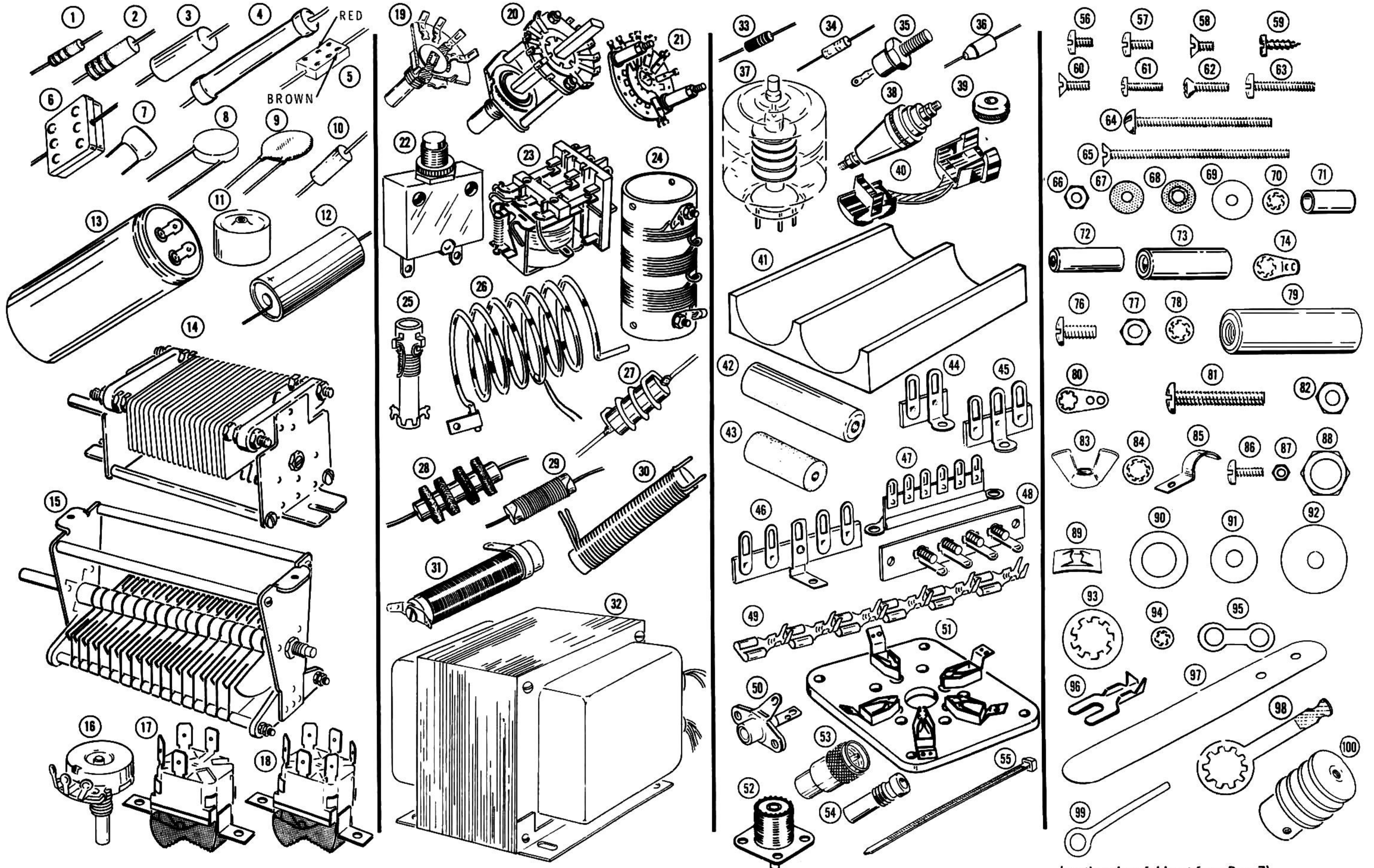
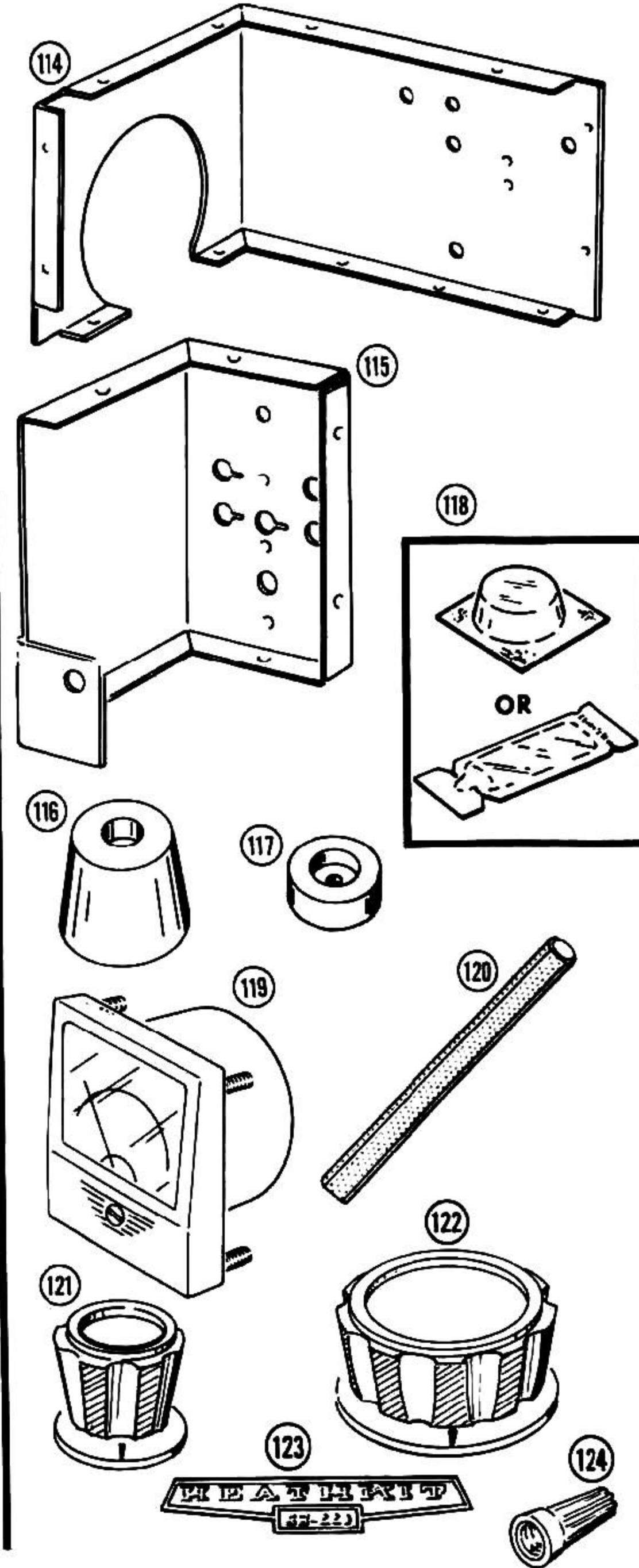
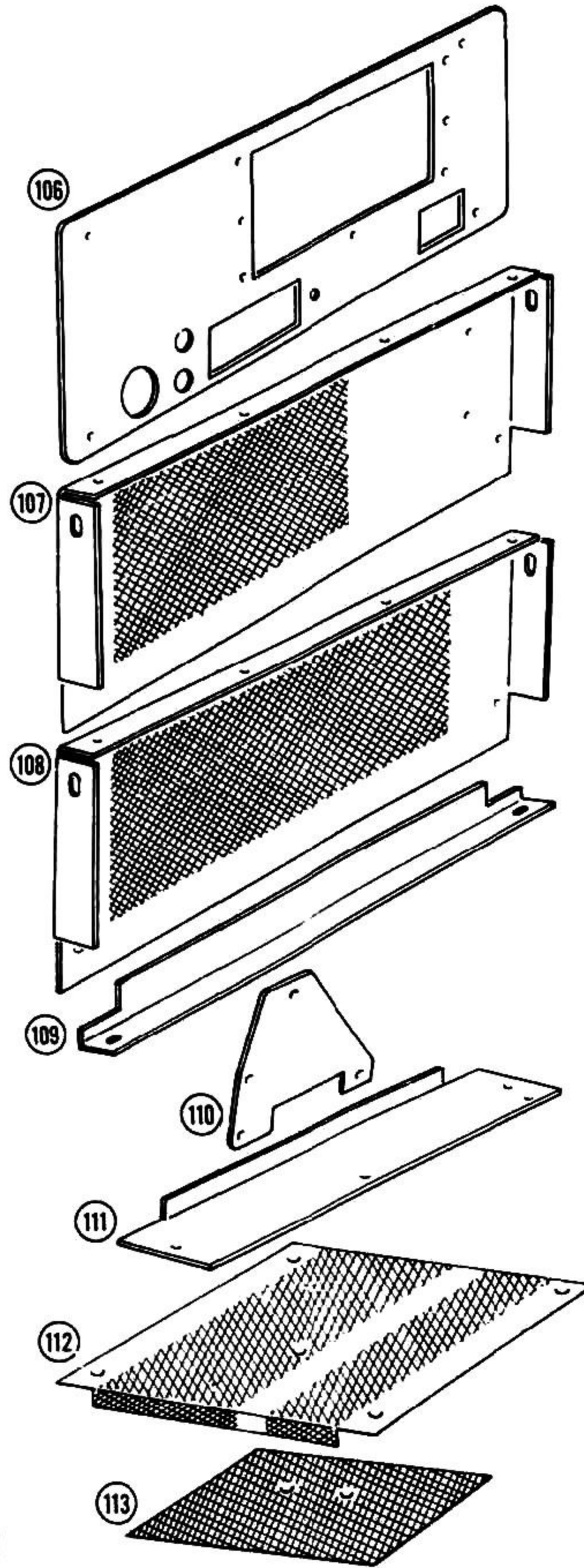
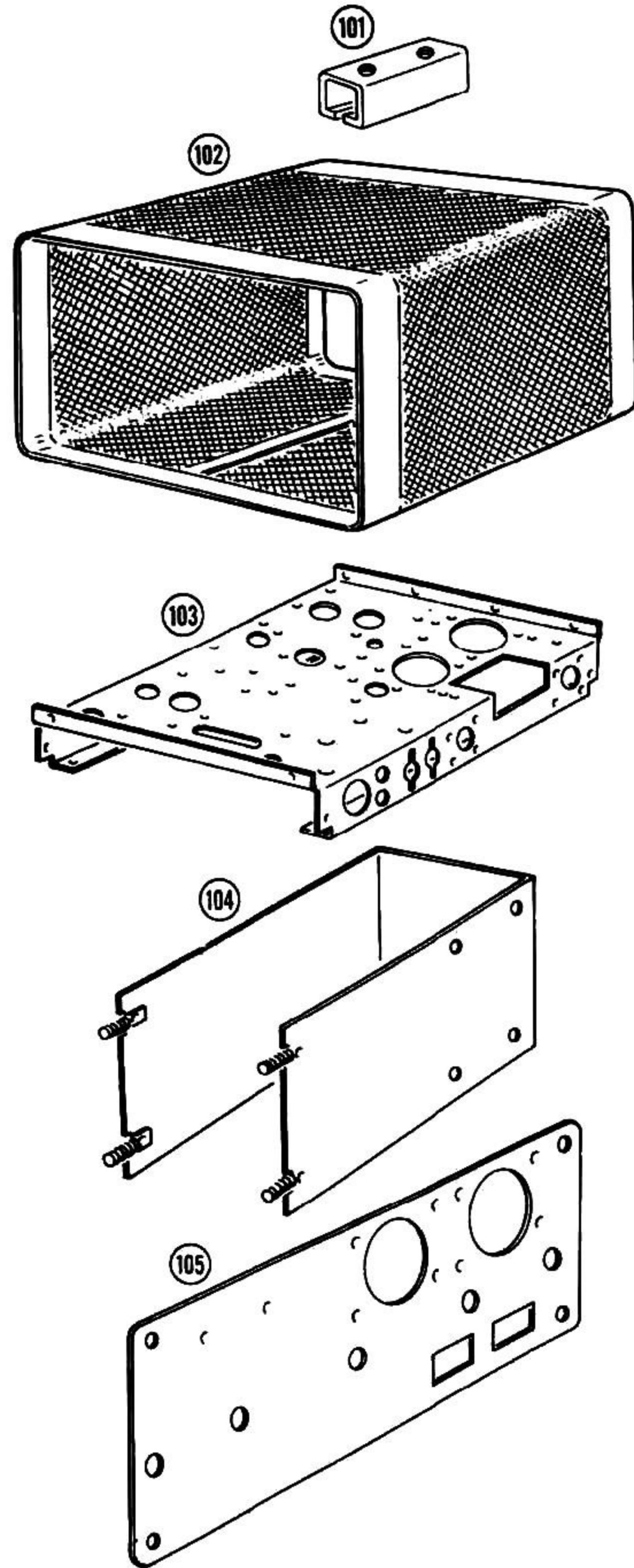


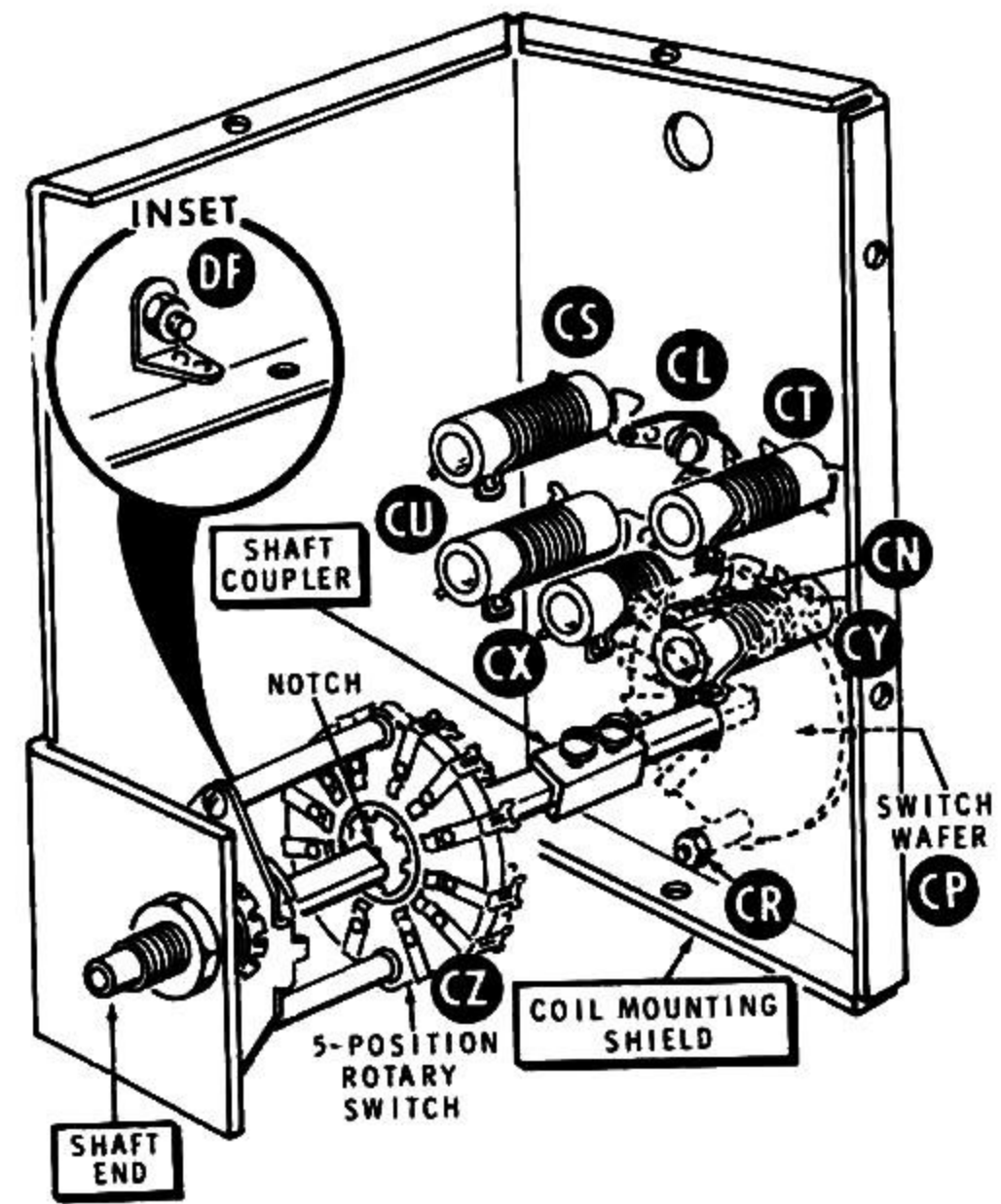
PARTS PICTORIAL



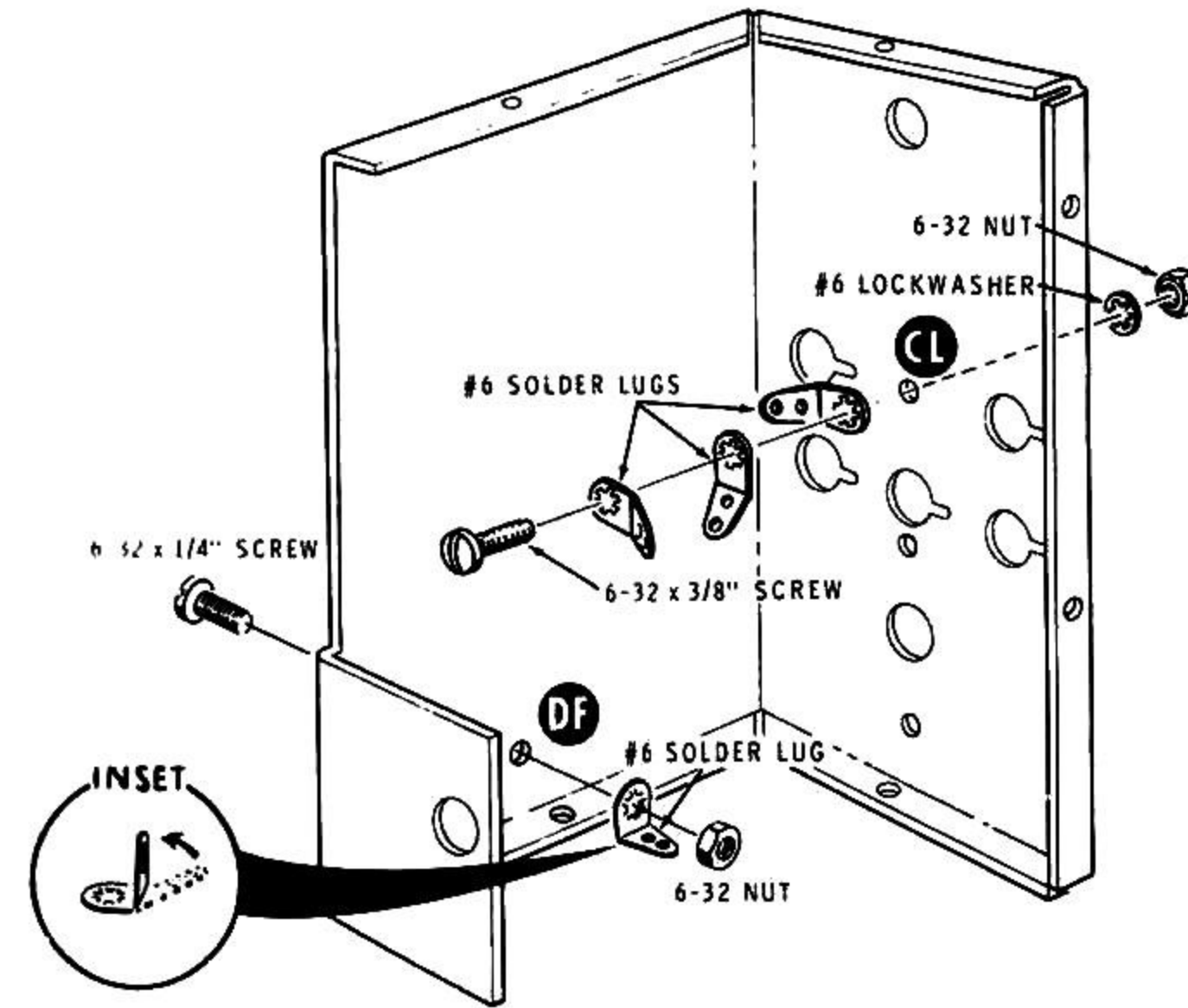
(continued on fold-out from Page 7)

PARTS PICTORIAL (cont'd.)

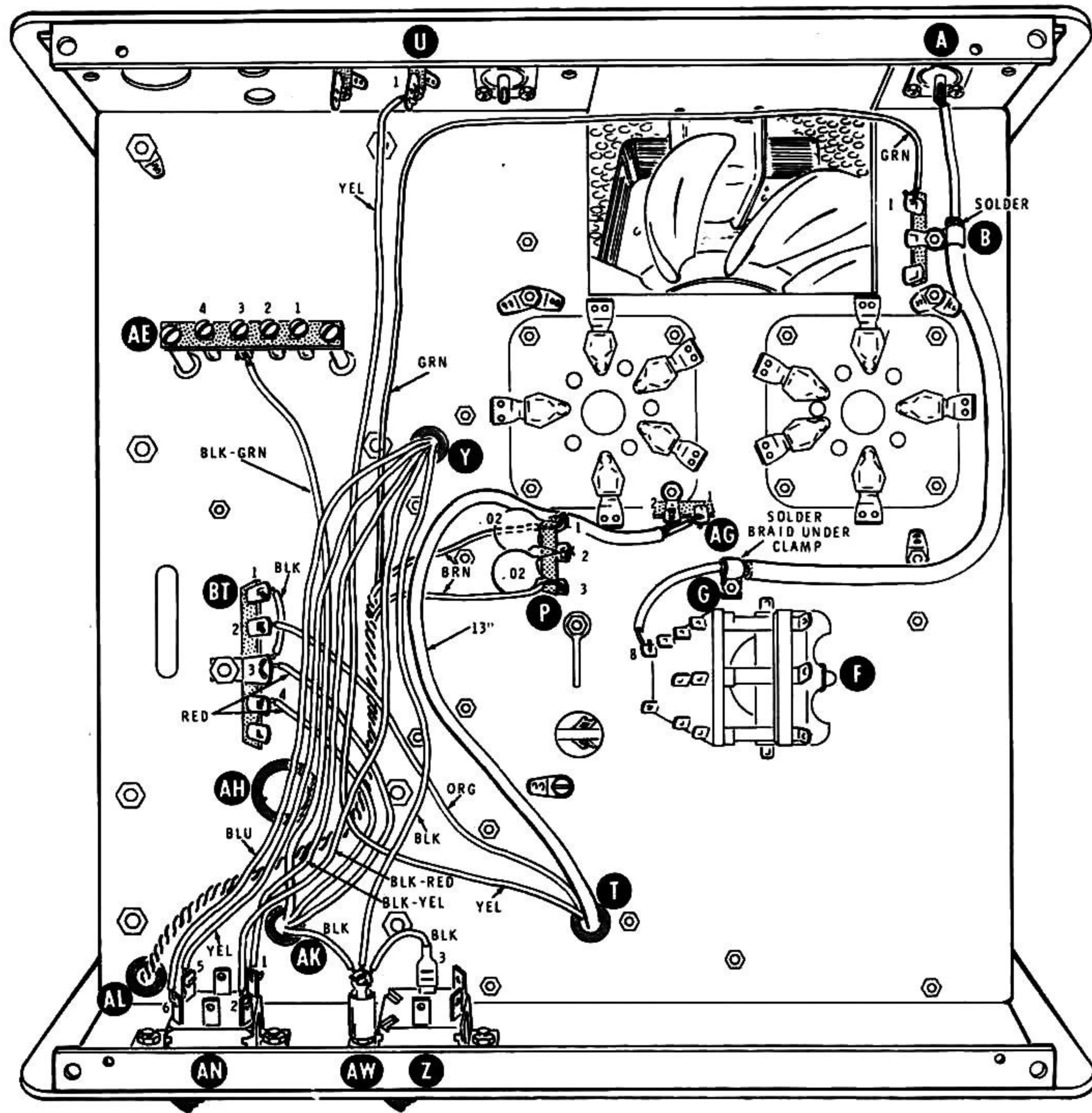




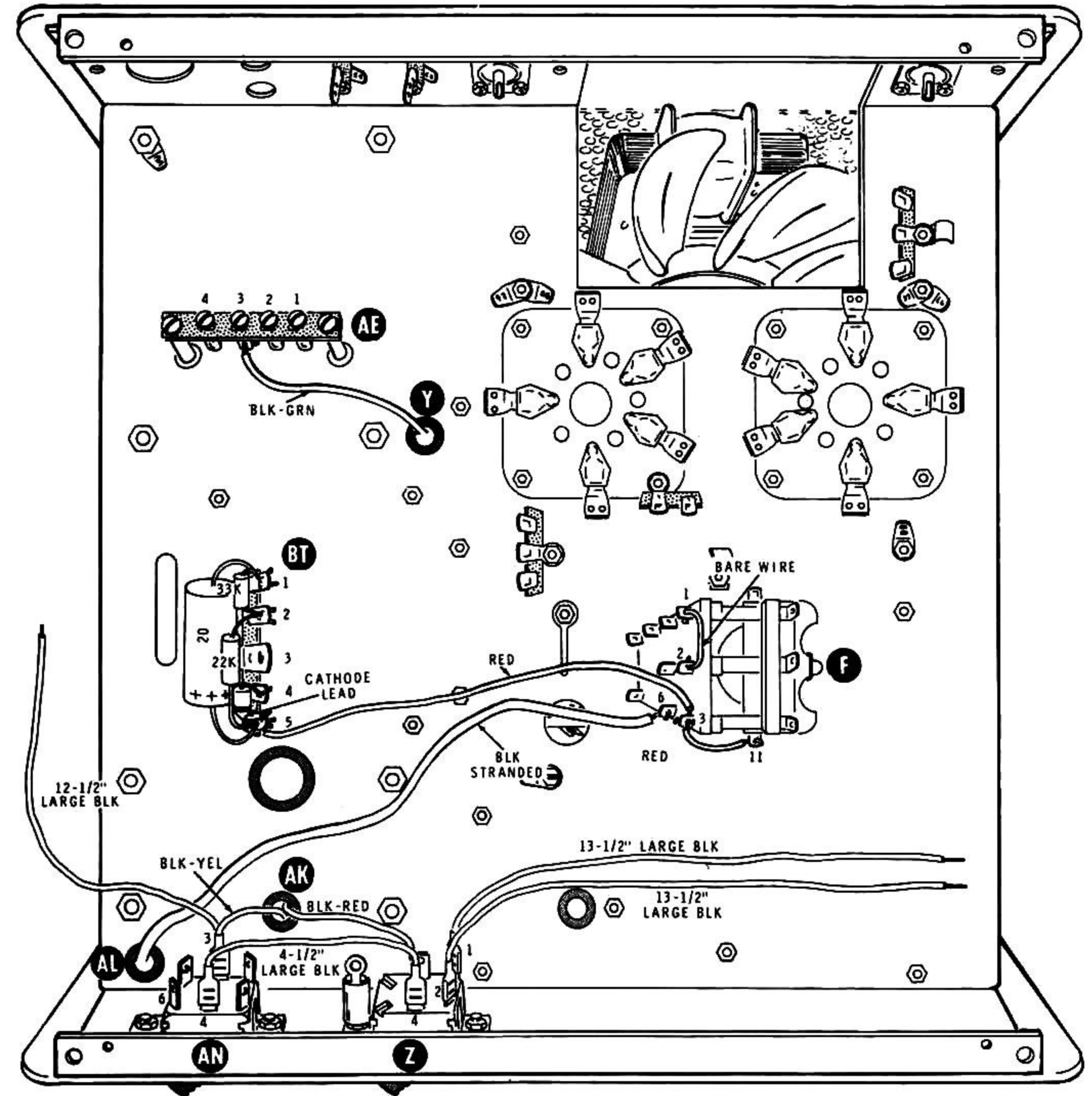
PICTORIAL 2-1



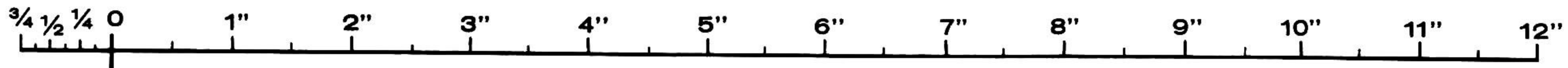
Detail 2-1A

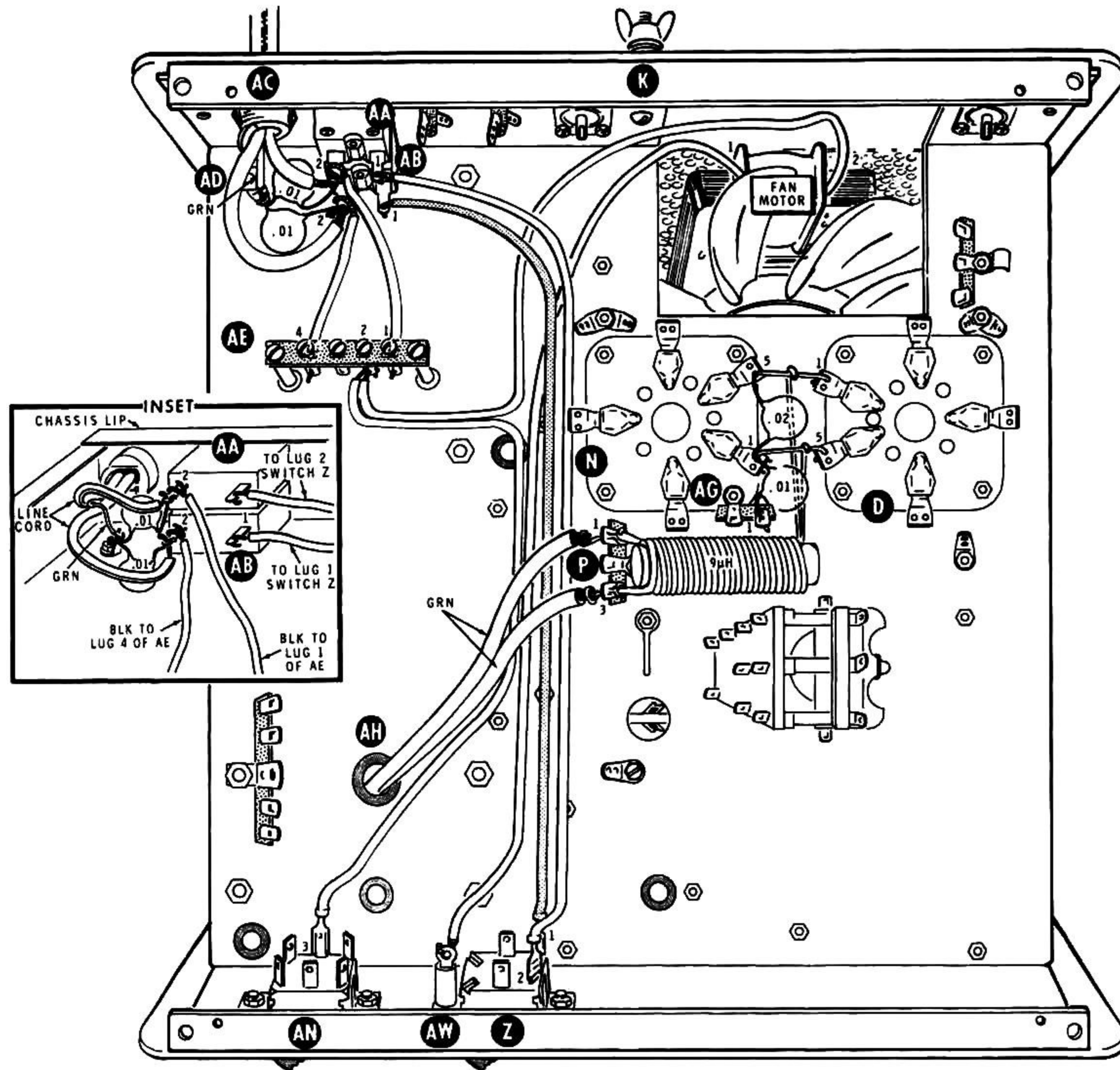


PICTORIAL 4-10

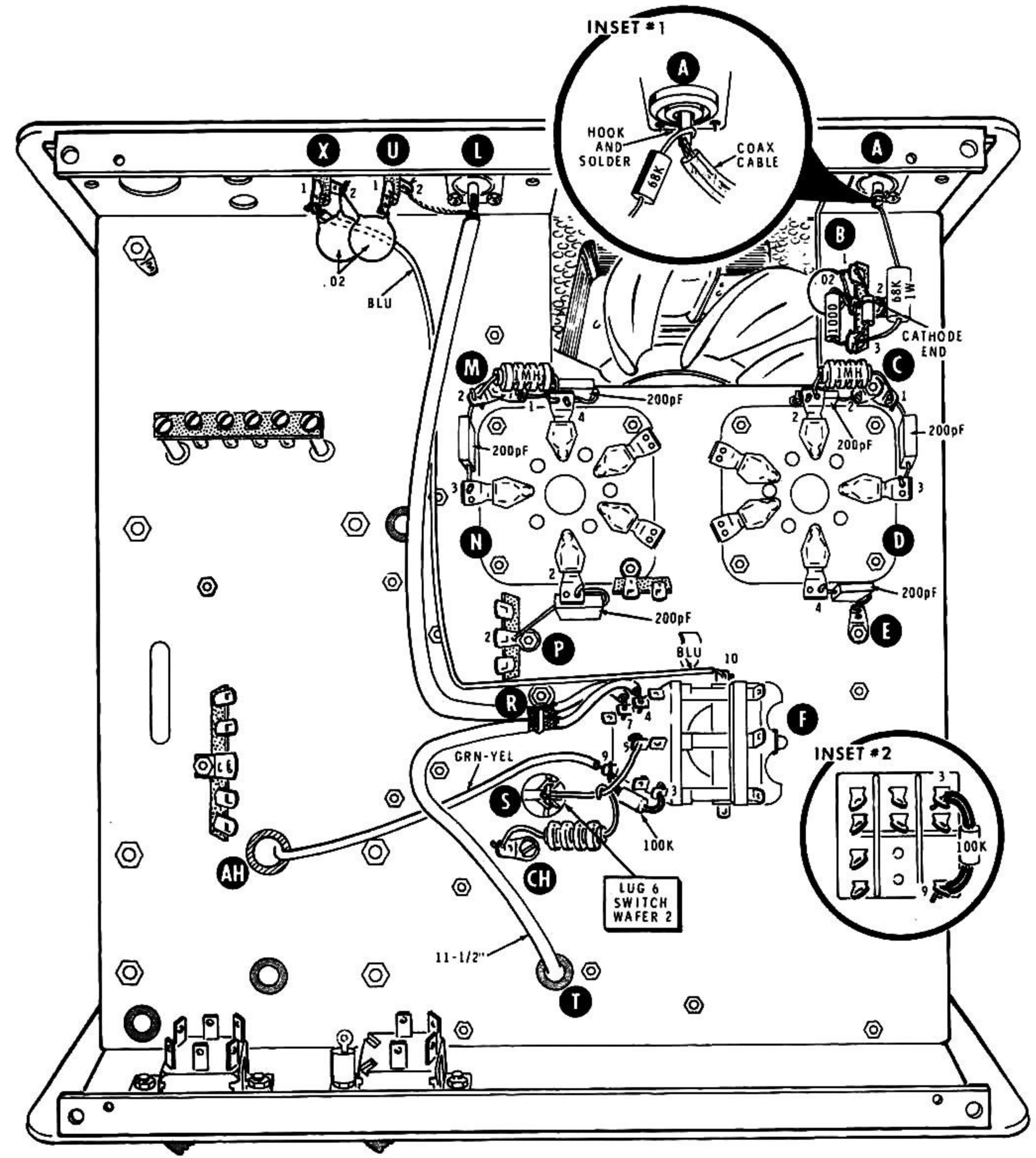


PICTORIAL 4-11





PICTORIAL 4-13



PICTORIAL 4-12

FIGURE 2-2

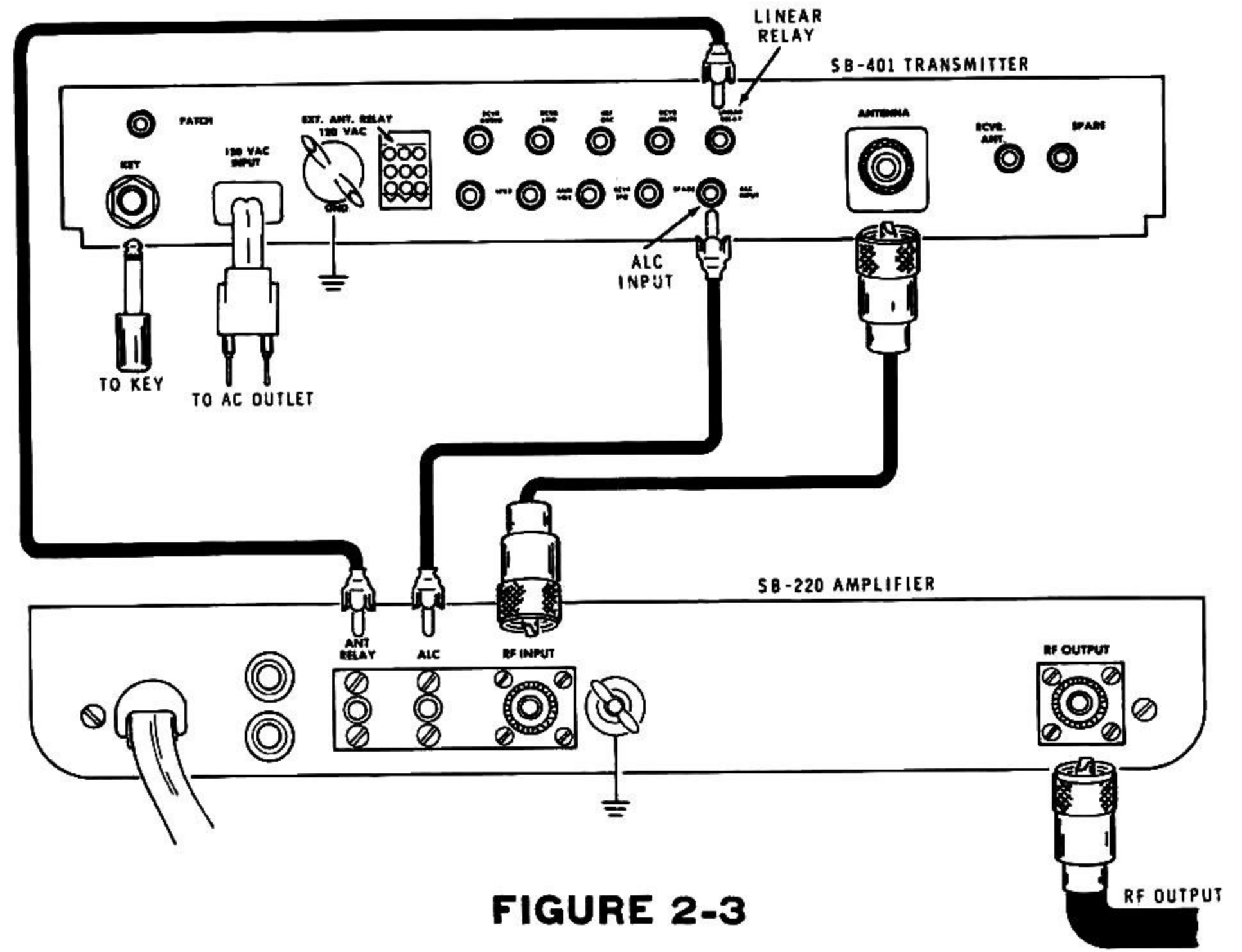
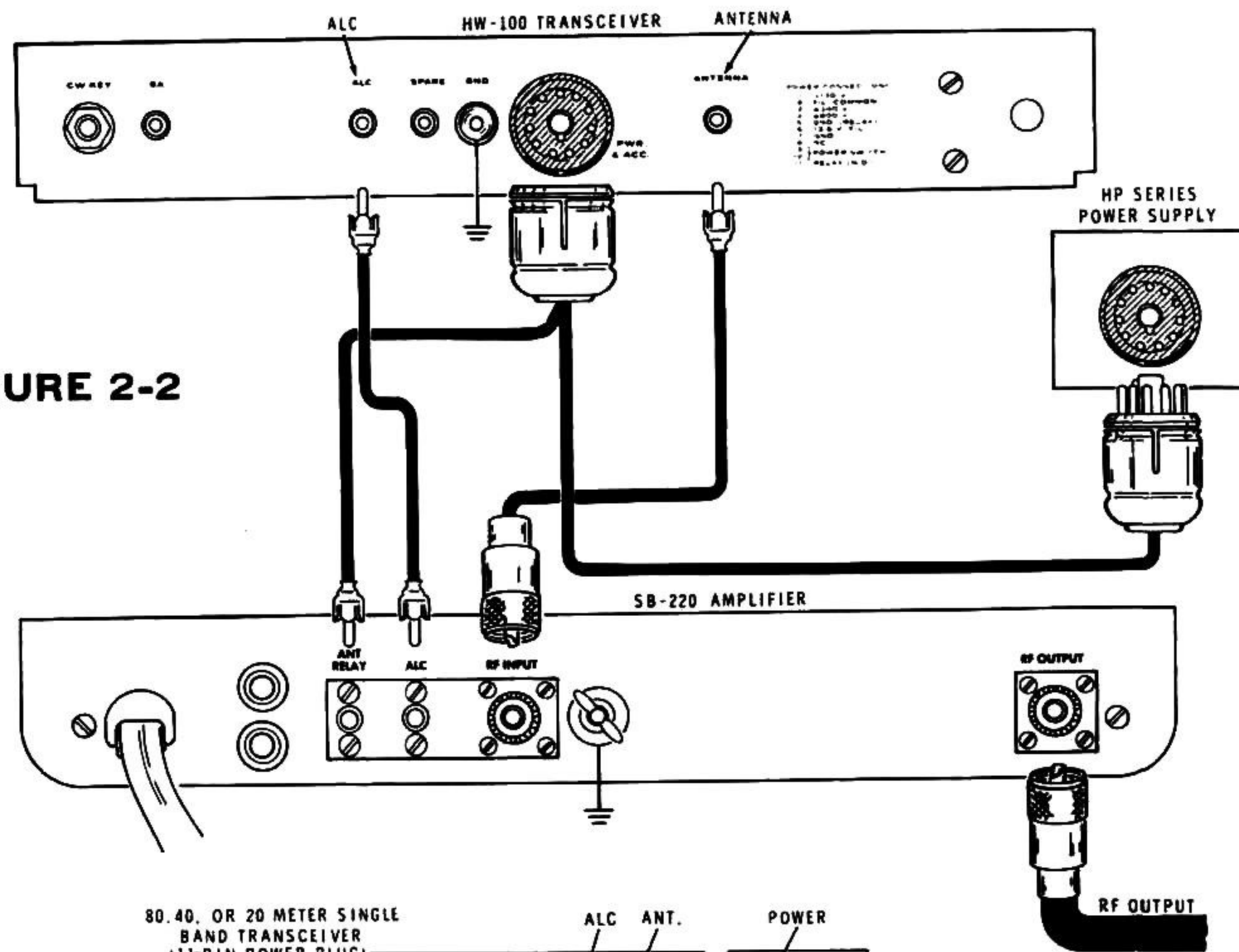


FIGURE 2-3

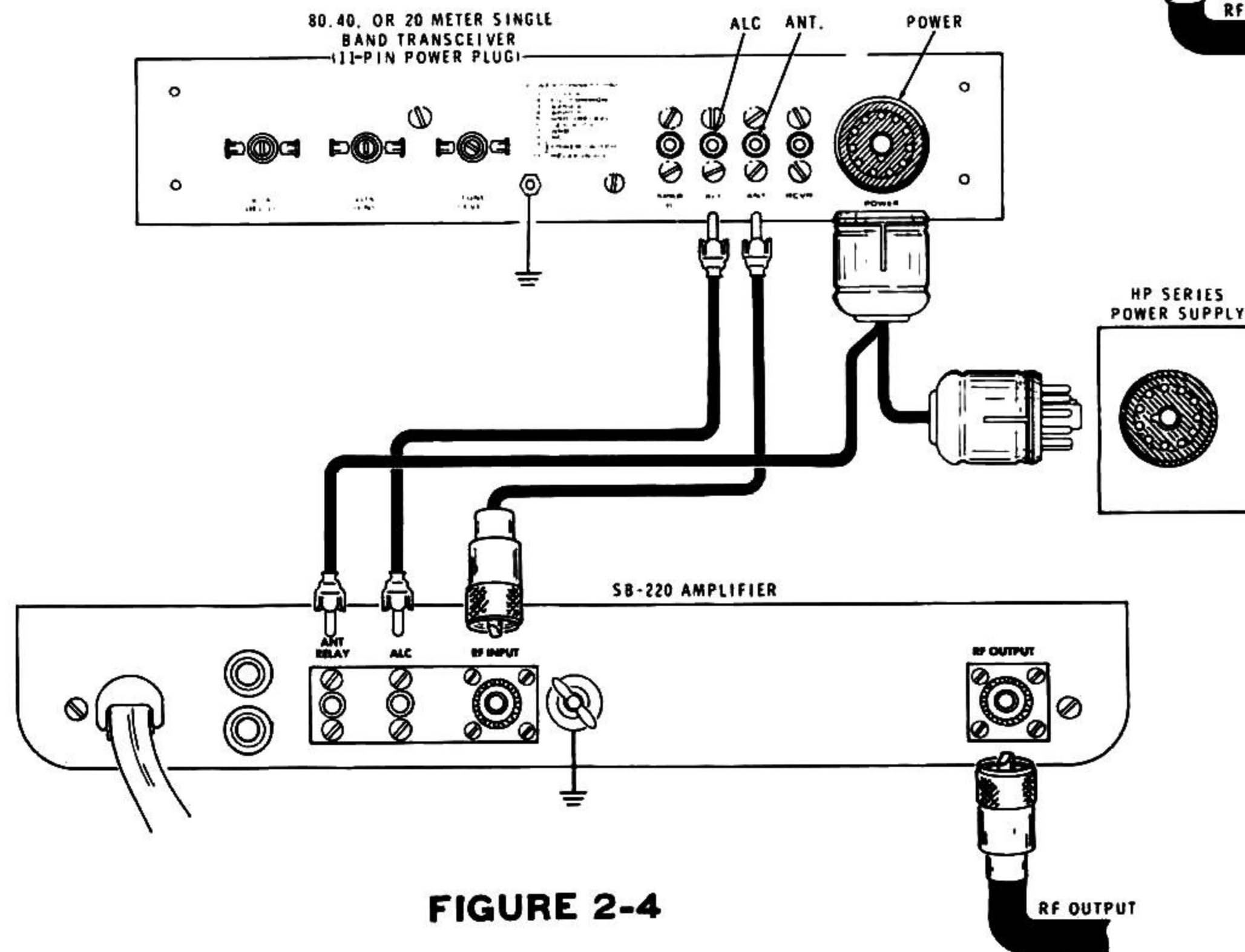


FIGURE 2-4

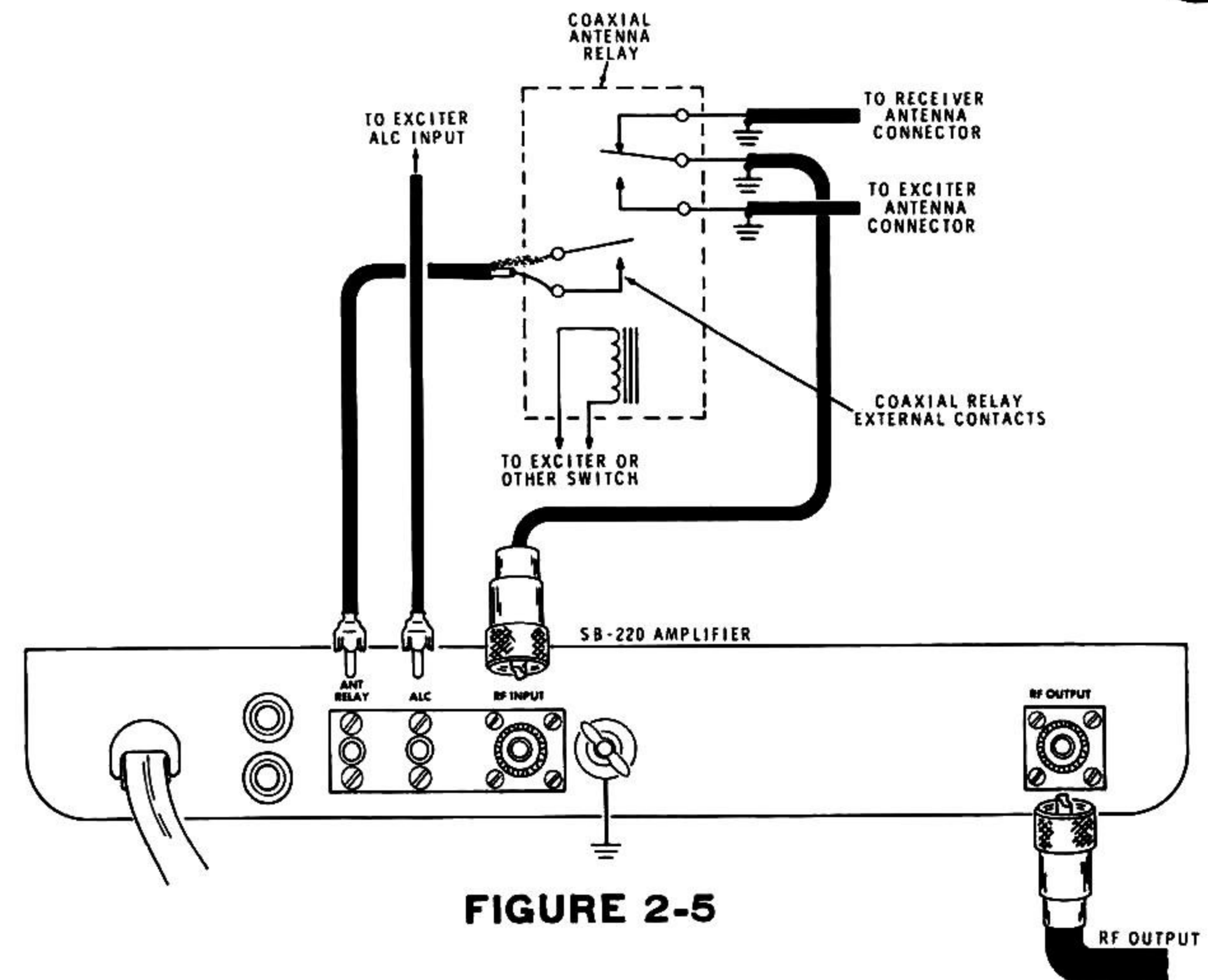


FIGURE 2-5

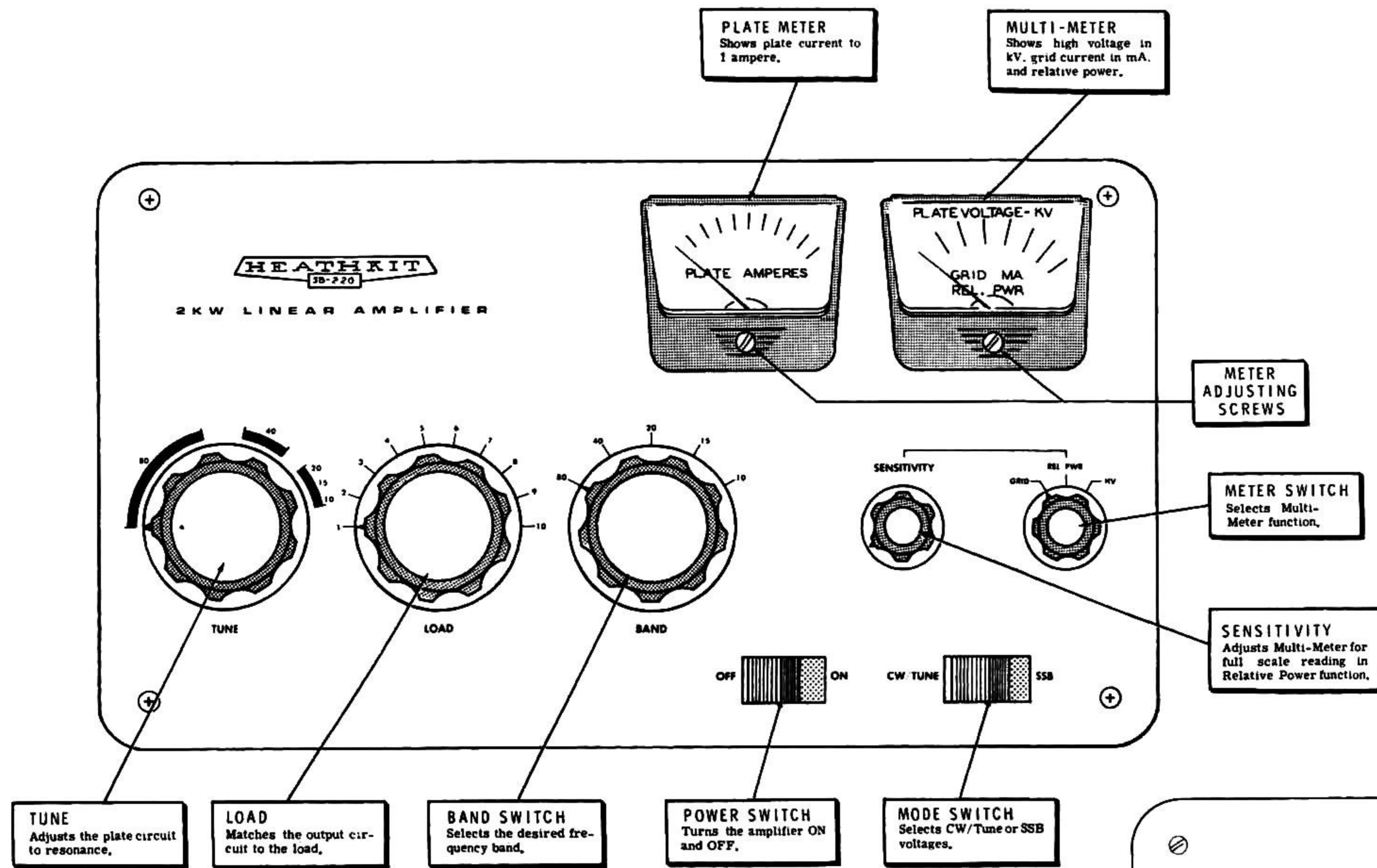


FIGURE 3-1

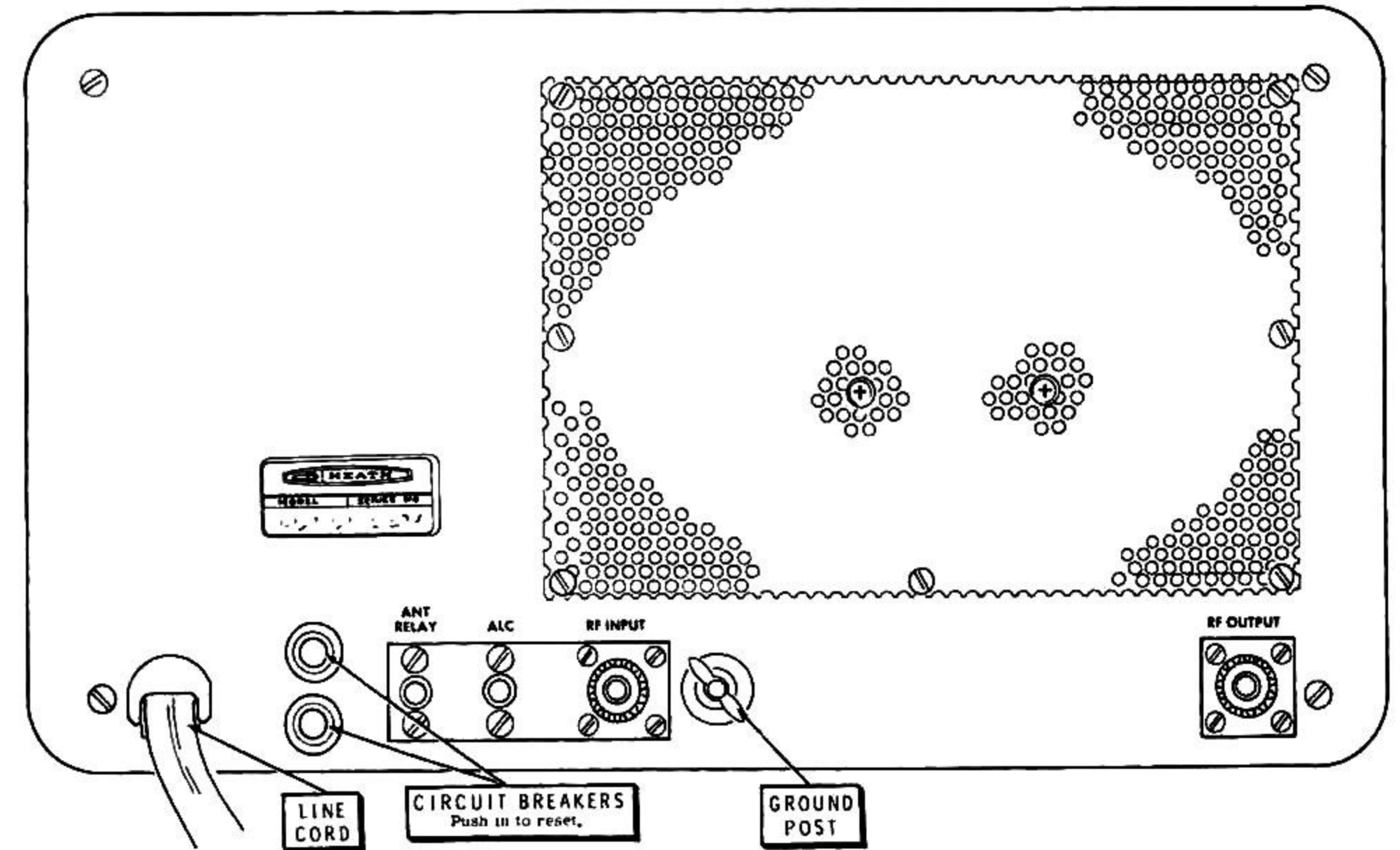


Figure 3-2

**SCHEMATIC OF THE
HEATHKIT®
2KW LINEAR AMPLIFIER
MODEL 8B-220**

- NOTES:**
1. ALL RESISTORS ARE 1/2 WATT UNLESS OTHERWISE INDICATED. VALUES ARE IN OHMS (K-1,000, M-1,000,000).
 2. CAPACITOR VALUES LESS THAN 1 ARE IN μ F. VALUES OF 1 AND ABOVE ARE IN nF UNLESS MARKED OTHERWISE.
 3. THE BANDSWITCH IS IN THE 80 METER POSITION. ARROWS INDICATE THE DIRECTION OF ROTATION FOR THE VIEW SHOWN.
 4. ∇ THIS SYMBOL INDICATES A CONNECTION TO CIRCUIT BOARD GROUND FOIL.
 \blacktriangle THIS SYMBOL INDICATES A CONNECTION TO THE CIRCUIT BOARD.

