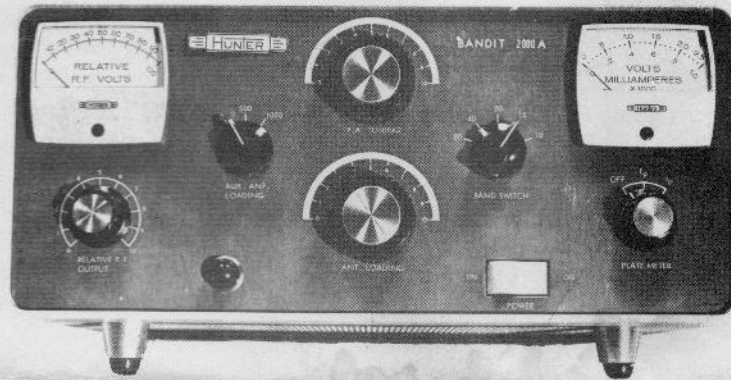


HUNTER

BANDIT 2000 A
LINEAR AMPLIFIER



The Hunter Manufacturing Company, Inc.

Iowa City, Iowa

NEWS from HUNTER MANUFACTURING CO., INC.

- THE HUNTER BANDIT 2000A -

- * Small size 14 3/4 wide x 6 3/4 high x 14" deep.
- * Weight 35 lbs.
- * Built specially for SSB and CW Operation.
- * Grounded grid operation 2000 watts PEP.
- * 160 watt PEP driver required.
- * Band switch for 80, 40, 20, 15 and 10 meter operation.
- * 4-UE572A zero bias triodes.
- * Forced air cooling by 2 fans.
- * Tubes conservatively operated.
- * Three plate voltages available for amplifier, 1100, 1700 and 2200 V.
- * 2090 watt Orthosil wound Transformer Core used.
- * Plate circuit metered for voltage and current.
- * Relative output R.F. volt meter continuously adjustable sensitivity.
- * Solid state rectifiers for power supply.
- * 115 or 230 volt operation available.
- * 52 ohm concentric line output-RG 8U.
- * Relay operated with exciter controls. (Internal Antenna Relay)

The Hunter Bandit 2000A is a linear amplifier especially designed to be operated with SSB transmitters having a nominal output of approximately 160 watts PEP (pair of 6146's).

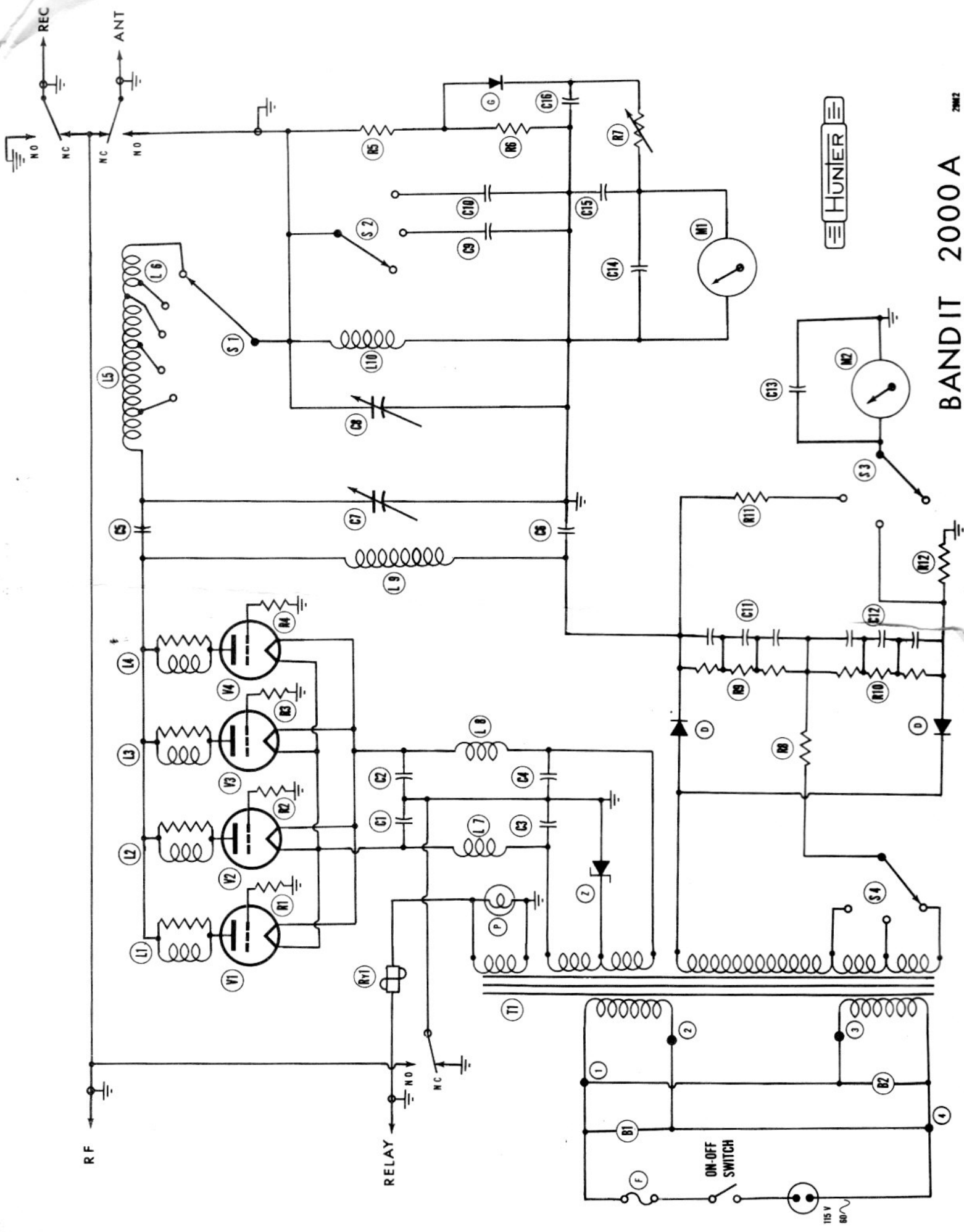
This amplifier will permit the operator to go the legal limit on power input as permitted by the Federal Communications Commission.

Four UE572A tubes are used for the power amplifier. These tubes can be operated at full 2000 watts PEP and thereby permit a simplified circuit for the amplifier.

A separate adjustable RF output voltmeter is included in the output circuit. This feature permits the operator to adjust the measuring circuit to accommodate any feed line output impedance encountered and to adjust sensitivity for the several bands used. Of major importance, this meter provides excellent modulation indicator which follows the modulation envelope much like a VU meter.

The power supply consists of a 2090 watt orthosil wound transformer core, used with a solid state silicone diode rectifier system. The transformer is used in a voltage doubler circuit with an effective 23 mfd electrolytic capacitor (6-140 mfd electrolytics in series). Underneath the chassis a series of primary transformer links are provided for changing from 115 volt to 230 volt operation. The 230 volt operation is recommended, due to the high peak currents taken by the linear during modulation.

A pi matching network is used to match the output to the 52 ohm concentric feeder line. The pi matching output capacitor has a capacitance of 500 mmf and a plate spacing of .070 inches. A switch is provided on the front panel for switching in auxiliary capacitors of 500 and 1000 mmf in order that the network will match a low impedance on the lower frequencies.



HUNIER

BANDIT 2000 A

2562

RF

REC

ANT

RELAY

ON-OFF SWITCH

115 V
60