

6

5

4

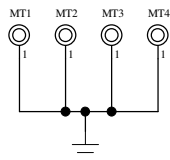
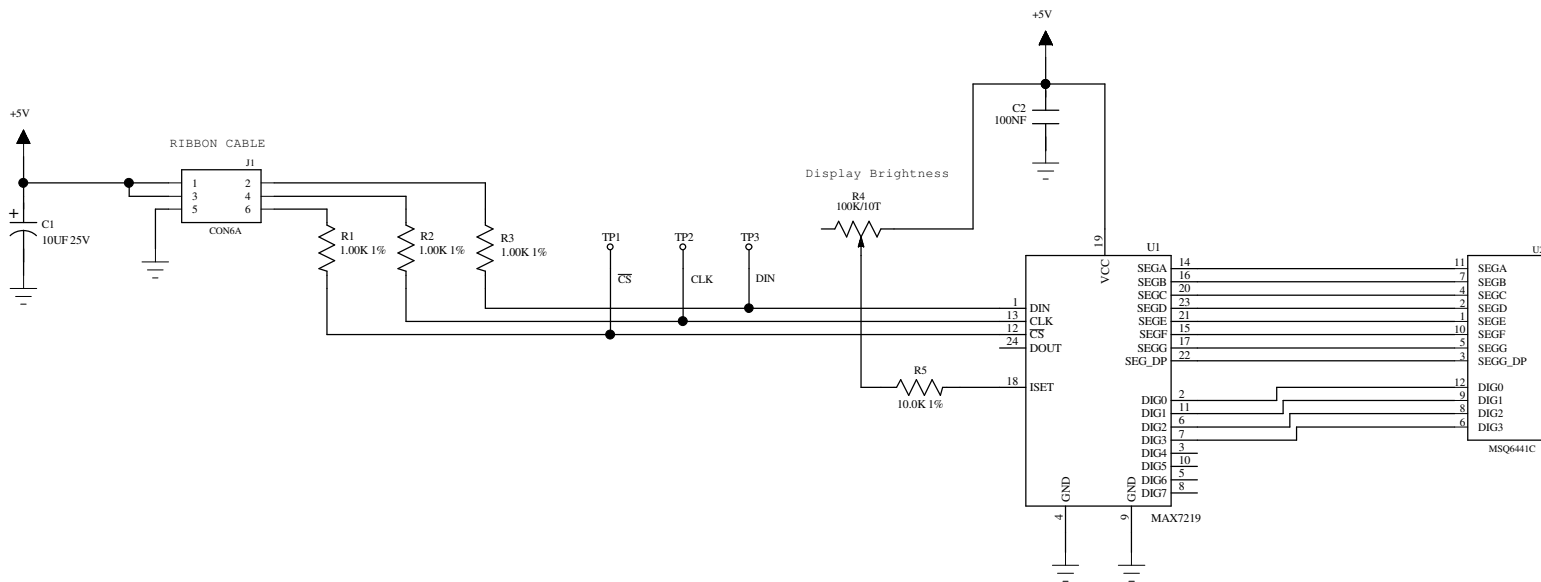
3

2

1

REVISION HISTORY

REV	ECO NO.	DESCRIPTION	CHANGED BY & DATE	CHECKED BY & DATE	EFFECTIVITY DATE



COMPONENT TYPE = ELECTRICAL
 CATEGORY = CUSTOM
 DESIGNATION = NONE

UNLESS OTHERWISE SPECIFIED
 DIMENSIONS ARE IN INCHES
 TOLERANCES ARE:
 XX +/- 0.01 ANGLE: 0.5
 XXX +/- 0.001

PROPRIETARY NOTICE:
 THIS DOCUMENT AND DATA DISCLOSED
 HEREIN AND HEREWITH IS NOT
 TO BE REPRODUCED, USED,
 OR DISCLOSED IN WHOLE OR
 ANY PART TO ANYONE WITHOUT
 THE PERMISSION OF ALPHA RADIO PRODUCTS LLC.

PROJECT NO. 9500
 ENGINEER: G. HARDMANN DATE: 08/16/05
 DRAWN BY: B. FOCKEN DRAFT DATE: 08/16/05

DRAWING FILE: BCX-X418_REV_1.SCH

PADS POWERLOGIC DRAWING

ALPHA RADIO PRODUCTS LLC
 6185 ARAPAHOE RD.
 BOULDER, COLORADO 80303
 PHONE: (303) 473-9232
 FAX: (303) 473-9660

TITLE: SCH, 9500, FRONT PANEL DIGITAL DISPLAY

SIZE B DRAWING # BCX-X418 REV. 1

SCALE SHEET 1 OF 1

D

C

B

A

6

5

4

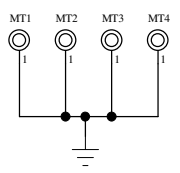
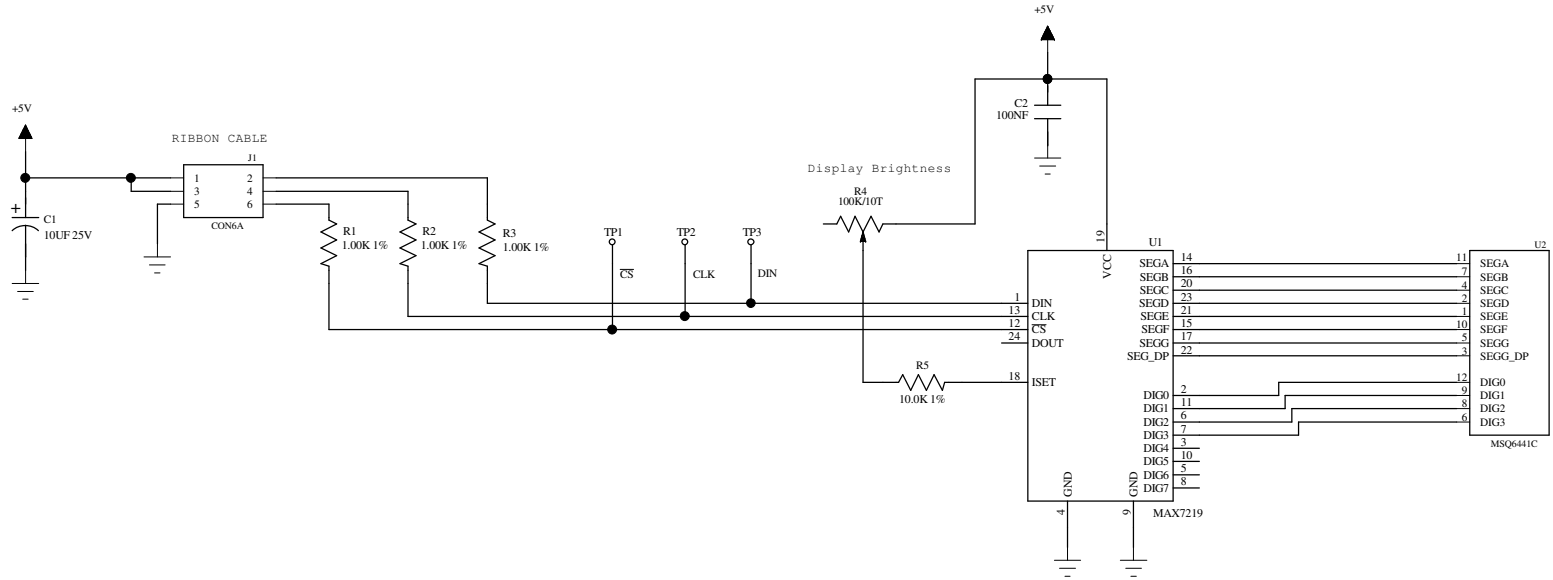
3

2

1

REVISION HISTORY

REV	ECO NO.	DESCRIPTION	CHANGED BY & DATE	CHECKED BY & DATE	EFFECTIVITY DATE



COMPONENT TYPE = ELECTRICAL
 CATEGORY = CUSTOM
 DESIGNATION = NONE

UNLESS OTHERWISE SPECIFIED
 DIMENSIONS ARE IN INCHES
 TOLERANCES ARE:
 XX +/- 0.01 ANGLE: 0.5
 XXX +/- 0.001

PROPRIETARY NOTICE:
 THIS DOCUMENT AND DATA DISCLOSED
 HEREIN AND HEREWITH IS NOT
 TO BE REPRODUCED, USED,
 OR DISCLOSED IN WHOLE OR
 ANY PART TO ANYONE WITHOUT
 THE PERMISSION OF ALPHA RADIO PRODUCTS LLC.

PROJECT NO. 9500
 ENGINEER: G. HARDMANN DATE: 08/16/05
 DRAWN BY: B. FOCKEN DRAFT DATE: 08/16/05

DRAWING FILE: BCX-X418_REV_1.SCH

PADS POWERLOGIC DRAWING

ALPHA RADIO PRODUCTS LLC
 6185 ARAPAHOE RD.
 BOULDER, COLORADO 80303
 PHONE: (303) 473-9232
 FAX: (303) 473-9660

TITLE: SCH, 9500, FRONT PANEL DIGITAL DISPLAY

SIZE B DRAWING # BCX-X418 REV. 1

SCALE SHEET 1 OF 1

6

5

4

3

2

1

D

D

C

C

B

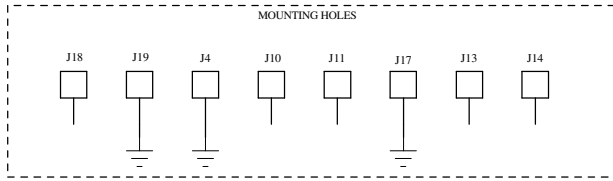
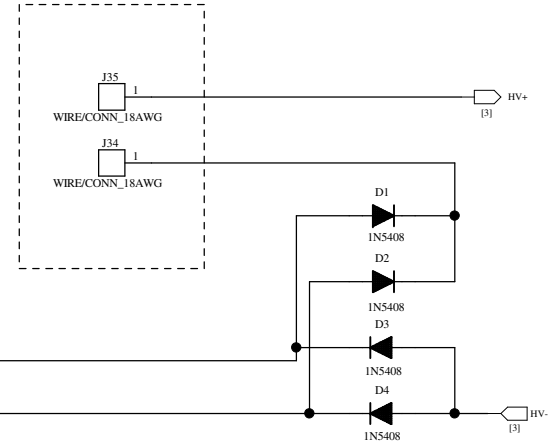
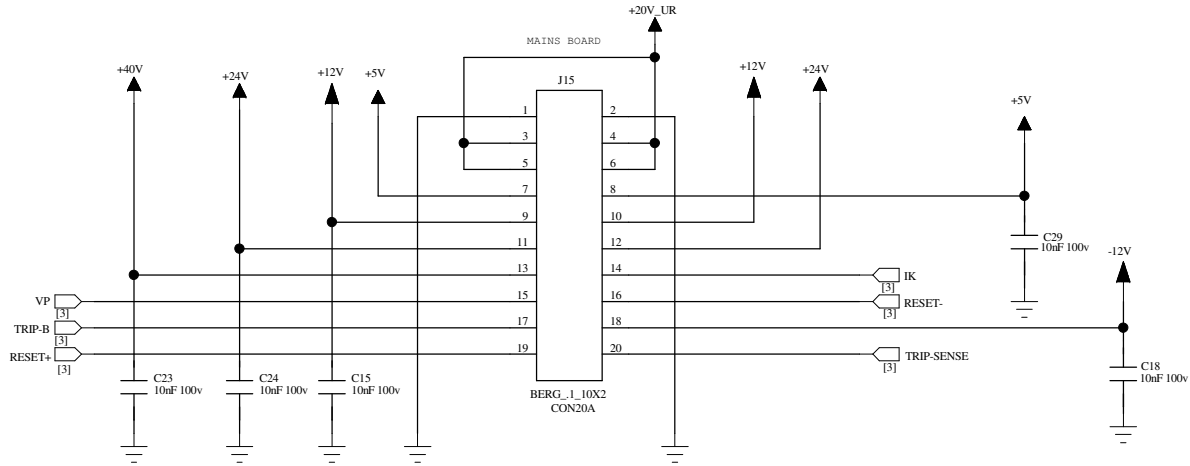
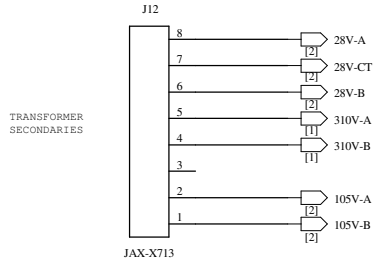
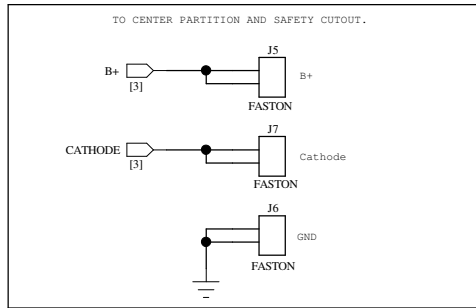
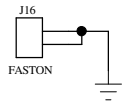
B

A

A

REVISION HISTORY

REV	ECO NO.	DESCRIPTION	CHANGED BY & DATE	CHECKED BY & DATE	EFFECTIVITY DATE
1		DEVELOPMENT	BWF 09/01/05	GEH 09/01/05	09/01/05
2		INITIAL RELEASE	BWF 07/15/06	GEH 07/15/06	07/15/06
3		ADD POWER SUPPLY	BWF 07/28/06	GEH 07/28/06	07/28/06
3.1		CHANGES TO VALUES AND POLARITY	BWF 10/17/06	GEH 10/17/06	10/17/06



COMPONENT TYPE = ELECTRICAL
 CATEGORY = CUSTOM
 DESIGNATION = NONE

UNLESS OTHERWISE SPECIFIED
 DIMENSIONS ARE IN INCHES
 TOLERANCES ARE:
 XX +/- 0.01 ANGLE: 0.5
 XXX +/- 0.001

PROPRIETARY NOTICE:
 THIS DOCUMENT AND DATA DISCLOSED
 HEREIN AND HEREWITH IS NOT
 TO BE REPRODUCED, USED,
 OR DISCLOSED IN WHOLE OR
 ANY PART TO ANYONE WITHOUT
 THE PERMISSION OF ALPHA RADIO PRODUCTS LLC.

PROJECT NO. 9500
 ENGINEER: G. HARDMANN DATE: 10/17/06
 DRAWN BY: B. FOCKEN DRAFT DATE: 10/17/06

DRAWING FILE: BCX-X419_REV_A.SCH

PADS POWERLOGIC DRAWING

ALPHA RADIO PRODUCTS LLC
 6185 ARAPAHOE RD. BOULDER, COLORADO 80303
 PHONE: (303) 473-9232 FAX: (303) 473-9660

TITLE: SCH, 9500, HIGH VOLTAGE POWER SUPPLY

SIZE B DRAWING # BCX-X419 REV. A

SCALE SHEET 1 OF 3

6

5

4

3

2

1

D

D

C

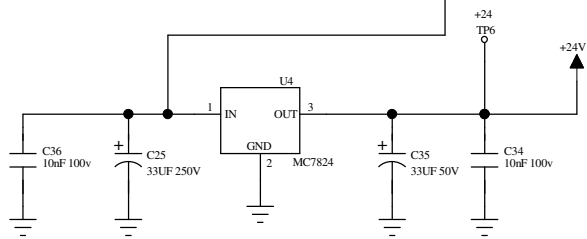
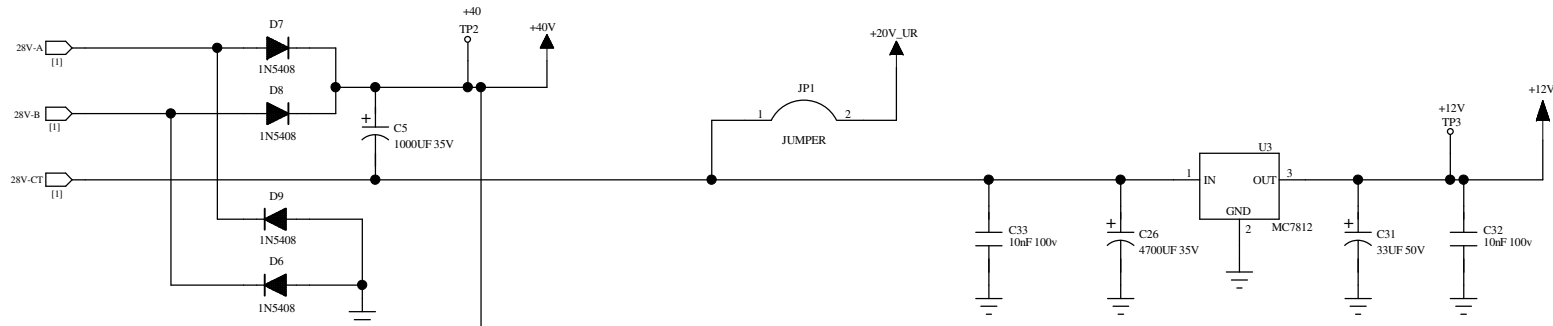
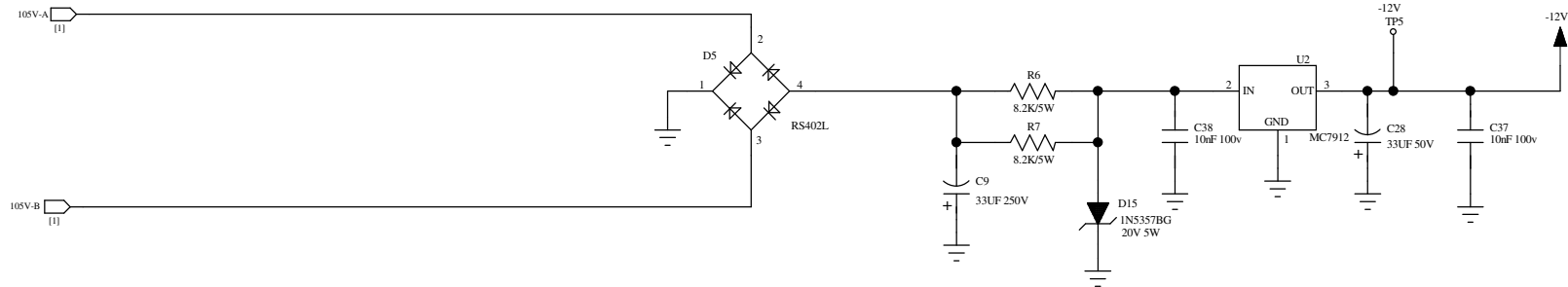
C

B

B

A

A



COMPONENT TYPE = ELECTRICAL
 CATEGORY = CUSTOM
 DESIGNATION = NONE

UNLESS OTHERWISE SPECIFIED
 DIMENSIONS ARE IN INCHES
 TOLERANCES ARE:
 .XX ±0.01 ANGLE: 0.5
 .XXX ±0.001

PROPRIETARY NOTICE:
 THIS DOCUMENT AND DATA DISCLOSED
 HEREIN AND HEREWITH IS NOT
 TO BE REPRODUCED, USED,
 OR DISCLOSED IN WHOLE OR
 ANY PART TO ANYONE WITHOUT
 THE PERMISSION OF ALPHA RADIO PRODUCTS LLC.

PROJECT NO.
9500
 ENGINEER:
G. HARDMANN DATE:
 10/17/06
 DRAWN BY:
B. FOCKEN DRAFT DATE:
 10/17/06

DRAWING FILE:
BCX-X418_REV_A.SCH

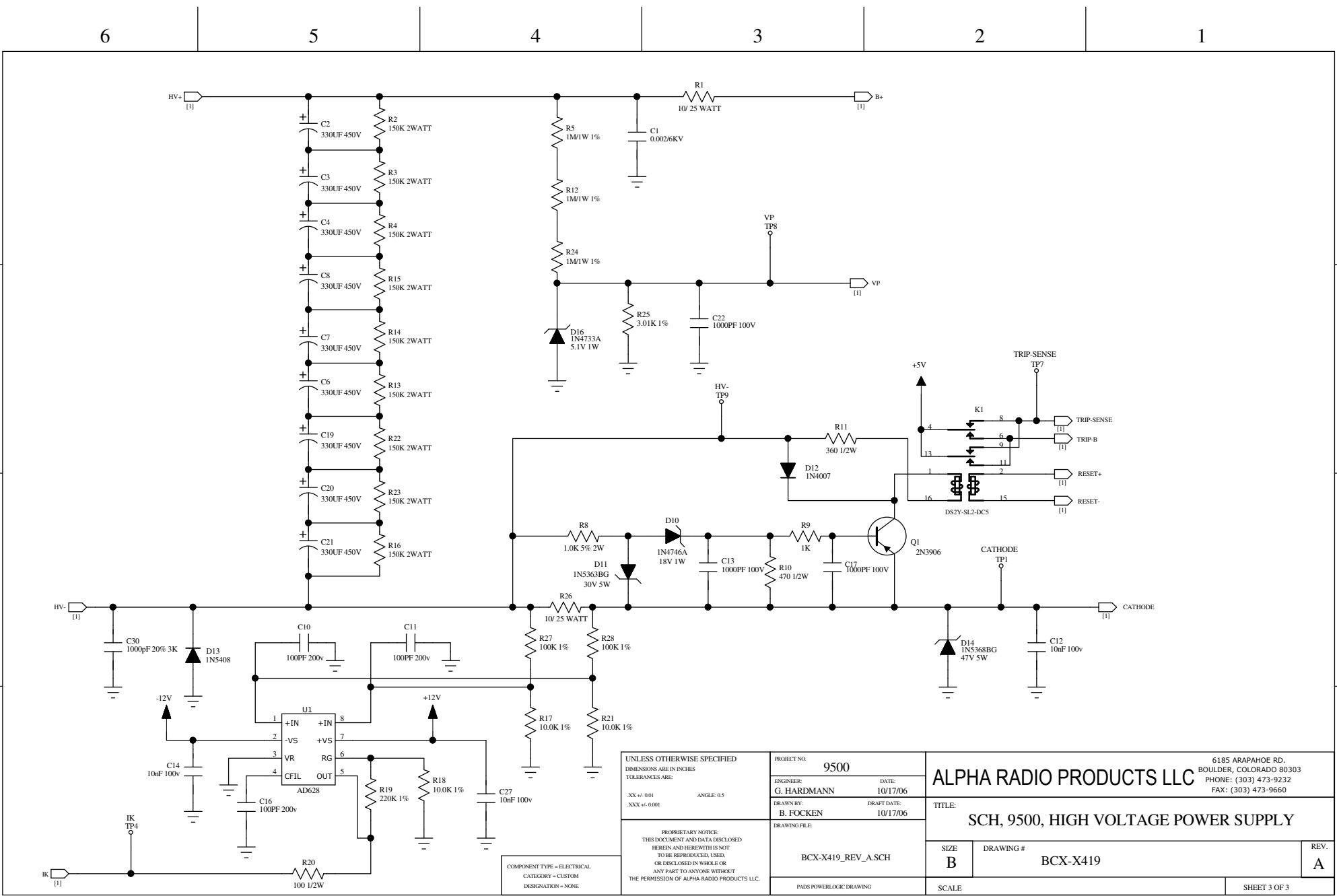
PADS POWERLOGIC DRAWING

ALPHA RADIO PRODUCTS LLC
 6185 ARAPAHOE RD.
 BOULDER, COLORADO 80303
 PHONE: (303) 473-9232
 FAX: (303) 473-9660

TITLE:
SCH, 9500, HIGH VOLTAGE POWER SUPPLY

SIZE B	DRAWING # BCX-X419	REV. A
------------------	------------------------------	------------------

SCALE SHEET 2 OF 3



UNLESS OTHERWISE SPECIFIED
 DIMENSIONS ARE IN INCHES
 TOLERANCES ARE:
 XX +/- 0.01 ANGLE: 0.5
 XXX +/- 0.001

PROPRIETARY NOTICE:
 THIS DOCUMENT AND DATA DISCLOSED
 HEREIN AND HEREWITH IS NOT
 TO BE REPRODUCED, USED,
 OR DISCLOSED IN WHOLE OR
 ANY PART TO ANYONE WITHOUT
 THE PERMISSION OF ALPHA RADIO PRODUCTS LLC.

PROJECT NO.
9500
 ENGINEER:
G. HARDMANN DATE:
 10/17/06
 DRAWN BY:
B. FOCKEN DRAFT DATE:
 10/17/06

DRAWING FILE:
BCX-X419_REV_A.SCH

PADS POWERLOGIC DRAWING

ALPHA RADIO PRODUCTS LLC 6185 ARAPAHOE RD.
 BOULDER, COLORADO 80303
 PHONE: (303) 473-9232
 FAX: (303) 473-9660

TITLE:
SCH, 9500, HIGH VOLTAGE POWER SUPPLY

SIZE B	DRAWING # BCX-X419	REV. A
------------------	------------------------------	------------------

SCALE SHEET 3 OF 3

COMPONENT TYPE = ELECTRICAL
 CATEGORY = CUSTOM
 DESIGNATION = NONE

REVISION HISTORY					
REV	ECO NO.	DESCRIPTION	CHANGED BY & DATE	CHECKED BY & DATE	EFFECTIVITY DATE
1		INITIAL RELEASE	BWF 09/07/05	BWF 09/07/05	09/07/05
2		CHANGE TO PROCESSOR PIN OUT	BWF 12/21/05	BWF 12/21/05	12/21/05
2.1		CHANGED RELAYS	BWF 12/29/05	GEH 12/29/05	12/29/05
2.2/3		CHANGE PARTS	BWF 04/11/06	GEH 04/11/06	04/11/06
4		CHANGE AC SENSE CIRCUIT	BWF 07/24/06	GEH 07/24/06	07/24/06
5		ADD POWER SUPPLY	BWF 07/31/06	GEH 07/31/06	07/31/06
A		RELEASE TO MFG	BWF 11/13/07	GEH 11/13/07	11/13/07

D

C

B

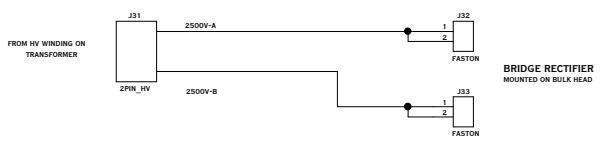
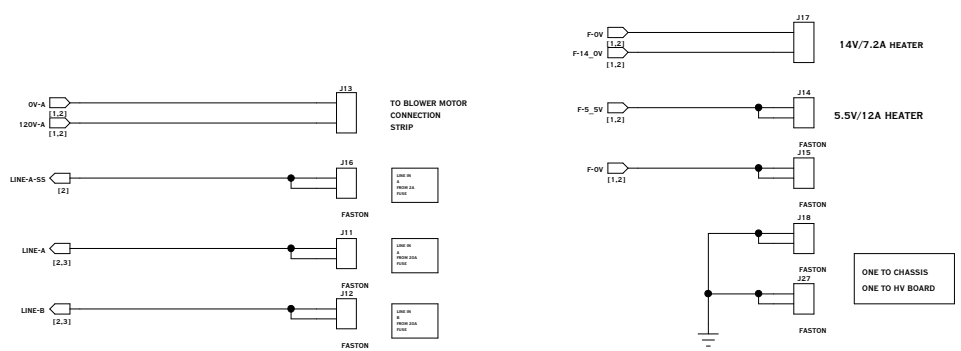
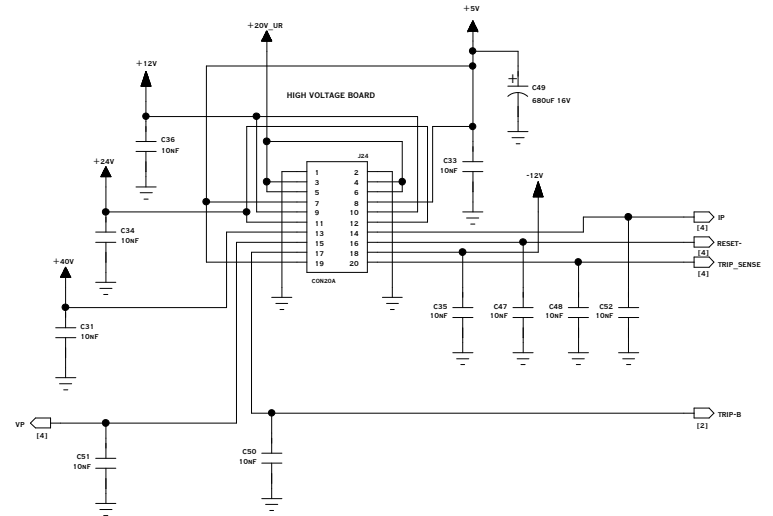
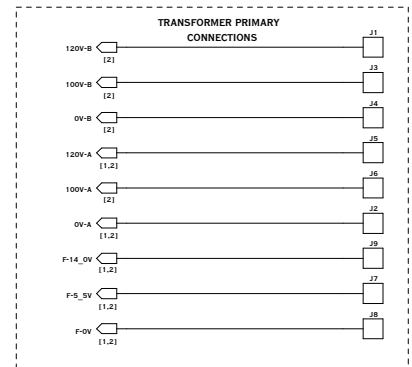
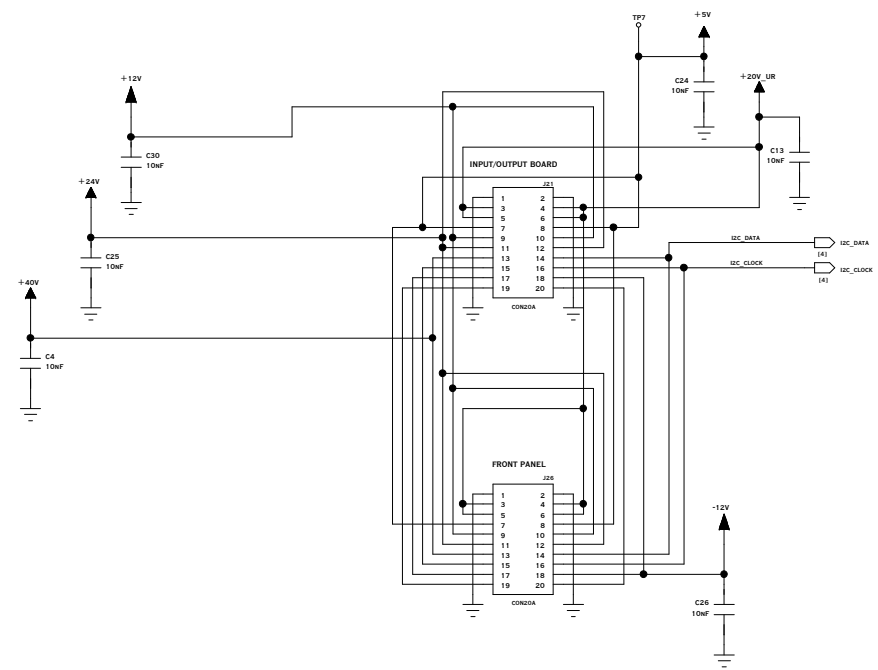
A

D

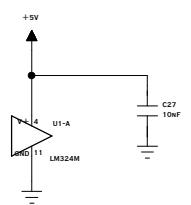
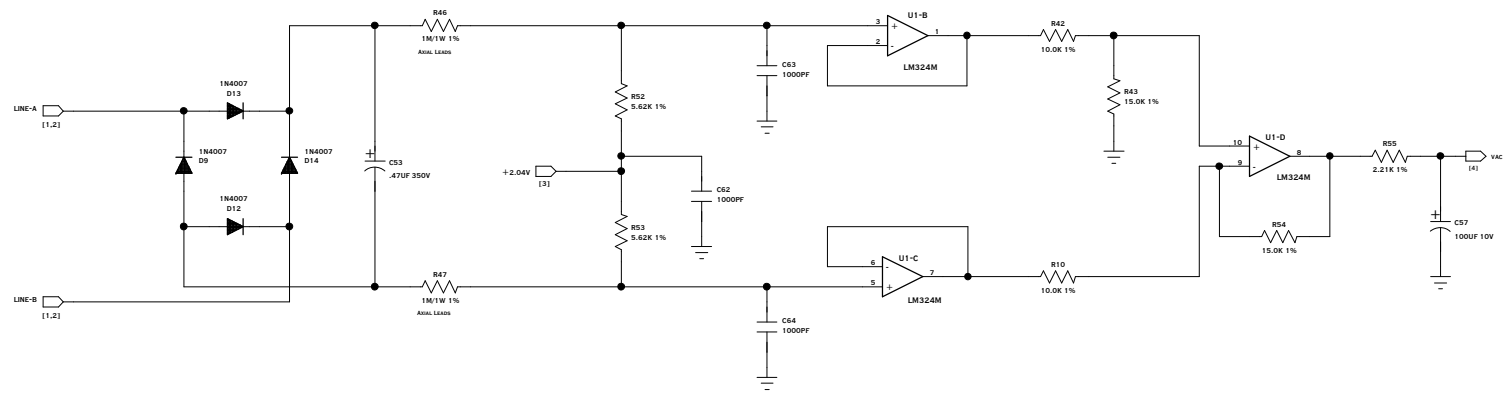
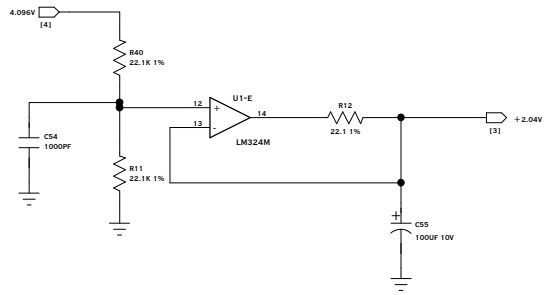
C

B

A

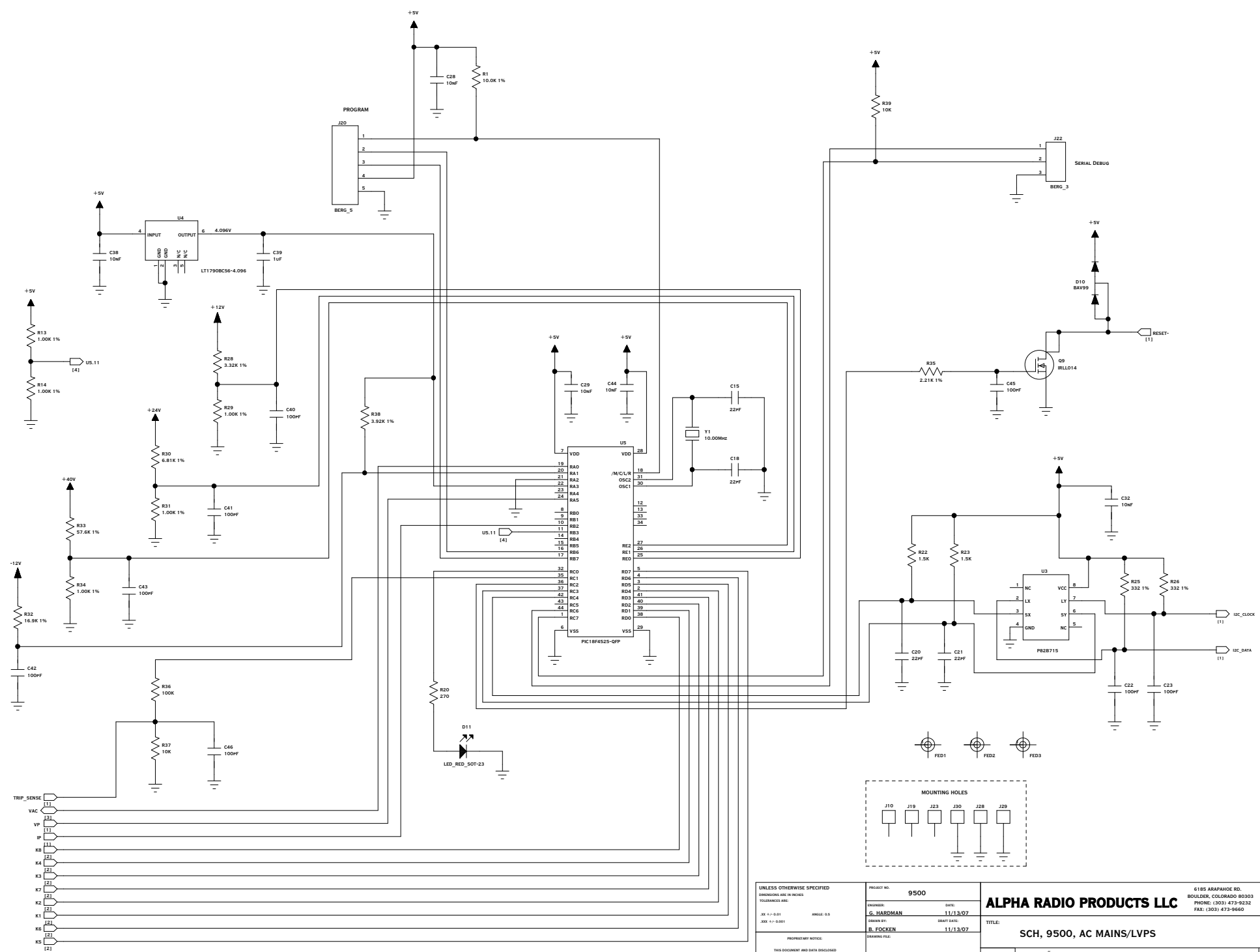


UNLESS OTHERWISE SPECIFIED DIMENSIONS ARE IN INCHES TOLERANCES ARE:		PROJECT NO. 9500	6185 ARAPAHOE RD. BOULDER, COLORADO 80303 PHONE: (303) 473-9232 FAX: (303) 473-9560	
FR. F. = 0.01 DR. F. = 0.001	ANGLE: 0.5	ENGINEER: G. HARDMAN	DATE: 11/13/07	ALPHA RADIO PRODUCTS LLC TITLE: SCH, 9500, AC MAINS/LVPS
PROPRIETARY NOTICE: THIS DOCUMENT AND DATA DISCLOSED HEREIN AND HEREWITH IS NOT TO BE REPRODUCED, COPIED, OR DISCLOSED IN WHOLE OR ANY PART TO ANYONE WITHOUT THE PERMISSION OF ALPHA RADIO PRODUCTS LLC.		DRAWN BY: B.FOCKEN	DATE: 11/13/07	
COMPONENT TYPE - ELECTRICAL CATEGORY - CUSTOM DESIGNATION - NONE	PROJECT NO. 9500	PROJECT NO. 9500	PROJECT NO. 9500	SIZE C DRAWING # BCX-X420 REV. A SCALE



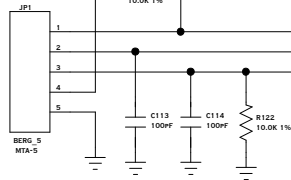
COMPONENT TYPE - ELECTRICAL
 CATEGORY - CUSTOM
 DESIGNATION - NONE

UNLESS OTHERWISE SPECIFIED DIMENSIONS ARE IN INCHES TOLERANCES ARE: .XX +/- 0.01 ANGLE: 0.5 .XX +/- 0.001	PROJECT NO. 9500 ENGINEER: G. HARDMAN DRAWN BY: B. FOCKEN DATE: 11/13/07 DRAW DATE: 11/13/07	ALPHA RADIO PRODUCTS LLC 6185 ARAPAHOE RD. BOULDER, COLORADO 80303 PHONE: (303) 473-9232 FAX: (303) 473-9660	
	PROPRIETARY NOTICE: THIS DOCUMENT AND DATA DISCLOSED HEREIN AND HEREIN IS NOT TO BE REPRODUCED, COPIED, OR DISCLOSED IN WHOLE OR ANY PART TO ANYONE WITHOUT THE PERMISSION OF ALPHA RADIO PRODUCTS LLC.	DRAWING FILE: BCX-X420_REV_A.SCH	TITLE: SCH, 9500, AC MAINS/LVPS
PAGES: POWERBLOCK DRAWING	SCALE	SIZE C DRAWING # BCX-X420	REV. A

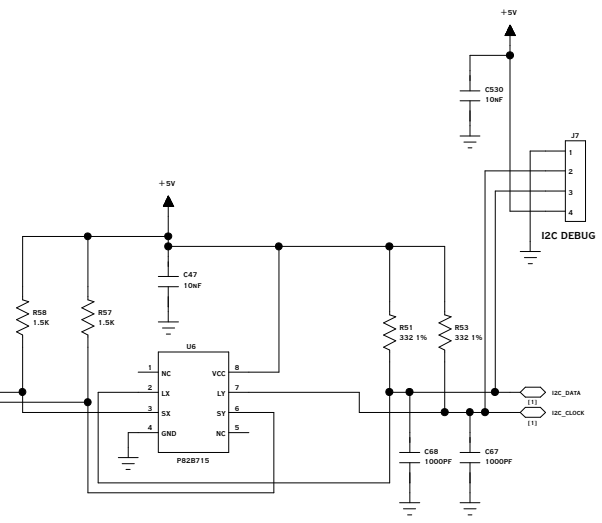
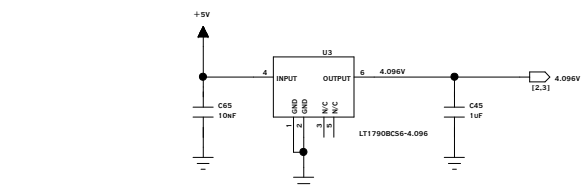
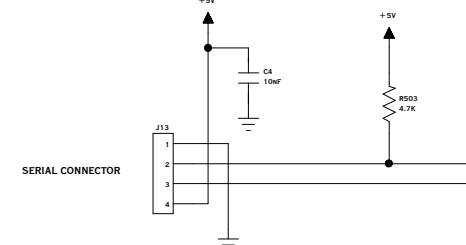
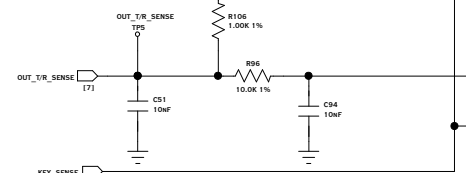
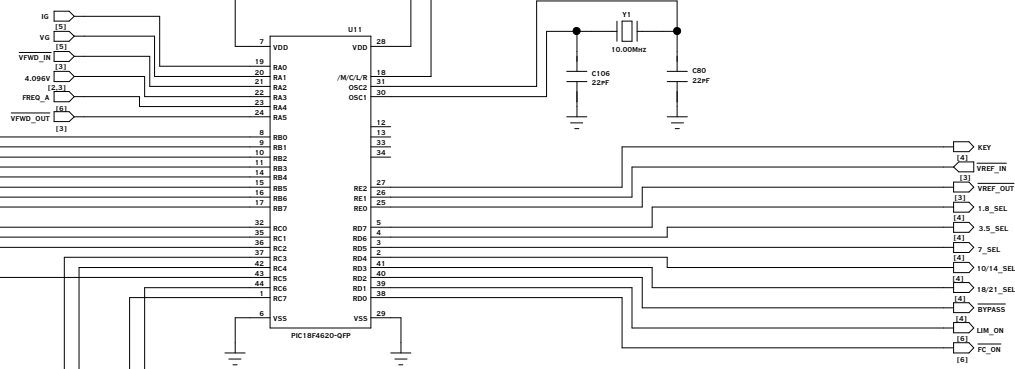
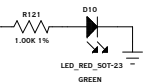


UNLESS OTHERWISE SPECIFIED DIMENSIONS ARE IN INCHES TOLERANCES ARE: .XX +/- 0.01 ANGLE: 0.5 .001 +/- 0.001	PROJECT NO. 9500 ENGINEER: G. HARDMAN DATE: 11/13/07 DRAWN BY: B. FOCKEN DATE: 11/13/07	ALPHA RADIO PRODUCTS LLC 6185 ARAPAHOE RD. BOULDER, COLORADO 80303 PHONE: (303) 473-9532 FAX: (303) 473-9660
	PROPRIETARY NOTICE: THIS DOCUMENT AND DATA DISCLOSED HEREIN AND HEREWITH IS NOT TO BE REPRODUCED, COPIED, OR DISCLOSED IN WHOLE OR ANY PART TO ANYONE WITHOUT THE PERMISSION OF ALPHA RADIO PRODUCTS LLC.	

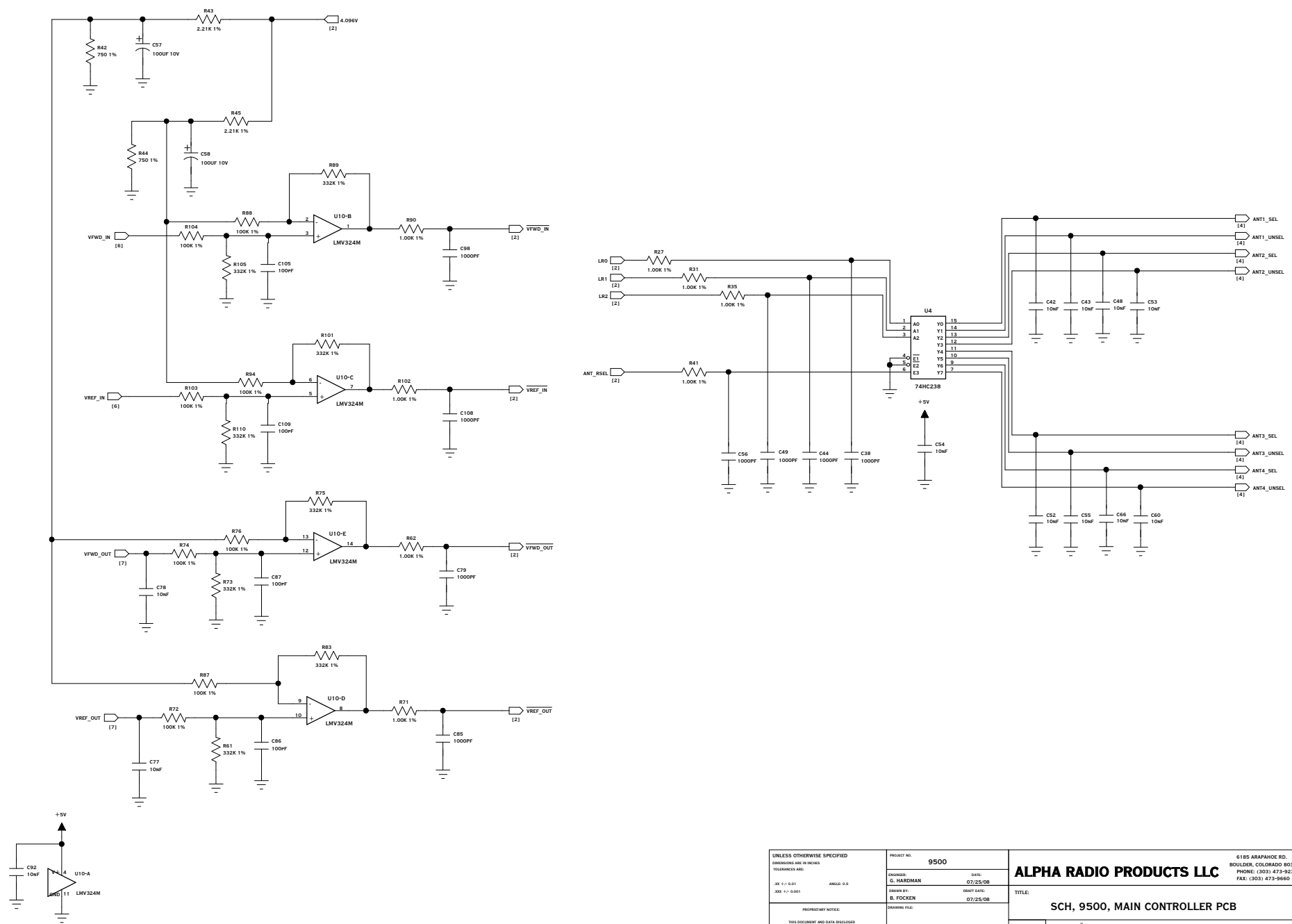
PROGRAM



HEARTBEAT



UNLESS OTHERWISE SPECIFIED DIMENSIONS ARE IN INCHES TOLERANCES ARE: XX.X - 0.01 XX.X - 0.001		PROJECT NO. 9500	DATE: 07/25/08	ALPHA RADIO PRODUCTS LLC 6185 ARAPAHOE RD. BOULDER, COLORADO 80303 PHONE: (303) 473-9232 FAX: (303) 473-9660
DESIGNED BY: G. HANDEMAN		DESIGNED BY: G. HANDEMAN	DATE: 07/25/08	
DRAWN BY: B. FOCKEN		DRAWN BY: B. FOCKEN	DATE: 07/25/08	TITLE: SCH. 9500, MAIN CONTROLLER PCB
DRAWING FILE: BCX-X421_REV_A_SCH		PAGE NUMBER/DRAWING 1/1		SIZE C
PROPERTY NOTICE: THIS DOCUMENT AND DATA DISCLOSED HEREIN AND HEREIN IS NOT TO BE REPRODUCED, COPIED, OR DISCLOSED IN WHOLE OR ANY PART TO ANYONE WITHOUT THE PERMISSION OF ALPHA RADIO PRODUCTS LLC.		DRAWING # BCX-X421 CONTROLLER 1		REV. A
COMPONENT TYPE - ELECTRICAL CATEGORY - CUSTOM DESIGNATION - NONE		SCALE		SHEET 2 OF 8



UNLESS OTHERWISE SPECIFIED DIMENSIONS ARE IN INCHES TOLERANCES ARE: XX ± 0.01 ANGLE 0.5 DEC ± 0.005		PROJECT NO. 9500	DATE 07/25/08	6185 ARAPAHOE RD. BOULDER, COLORADO 80303 PHONE: (303) 473-9232 FAX: (303) 473-9660	
DESIGNED BY: G. HANDEMAN		DRAWN BY: B. FOCKEN		ALPHA RADIO PRODUCTS LLC	
DRAWING FILE: BCX-X421_REV_A_SCH		DATE: 07/25/08		TITLE: SCH, 9500, MAIN CONTROLLER PCB	
PROPERTY NOTICE: THIS DOCUMENT AND DATA DISCLOSED HEREIN AND HEREWITH IS NOT TO BE REPRODUCED, COPIED, OR DISCLOSED IN WHOLE OR ANY PART TO ANYONE WITHOUT THE PERMISSION OF ALPHA RADIO PRODUCTS LLC.		SIZE C	DRAWING # BCX-X421 CONTROLLER 2	REV. A	SCALE
COMPONENT TYPE - ELECTRICAL ORIGINATOR - CUSTOMER DESIGNATION - NONE		PAGE POWERBLOC DRAWING		SHEET 3 OF 8	

6

5

4

3

2

1

D

C

B

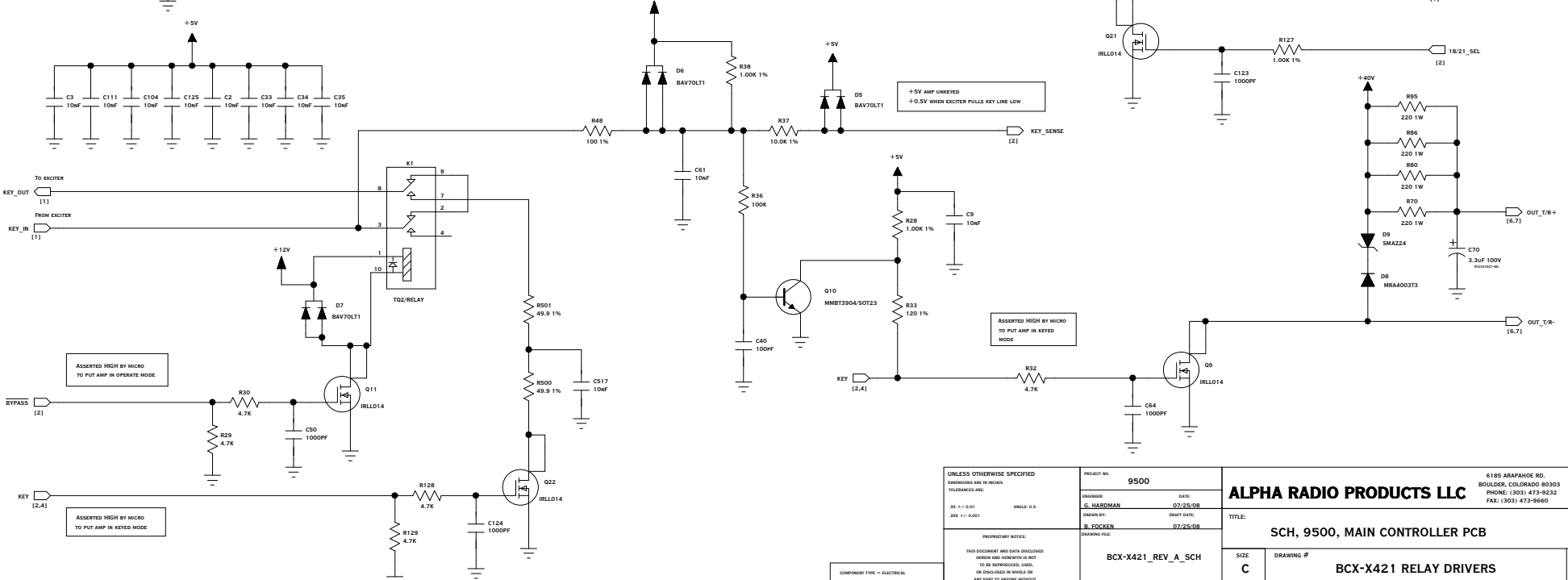
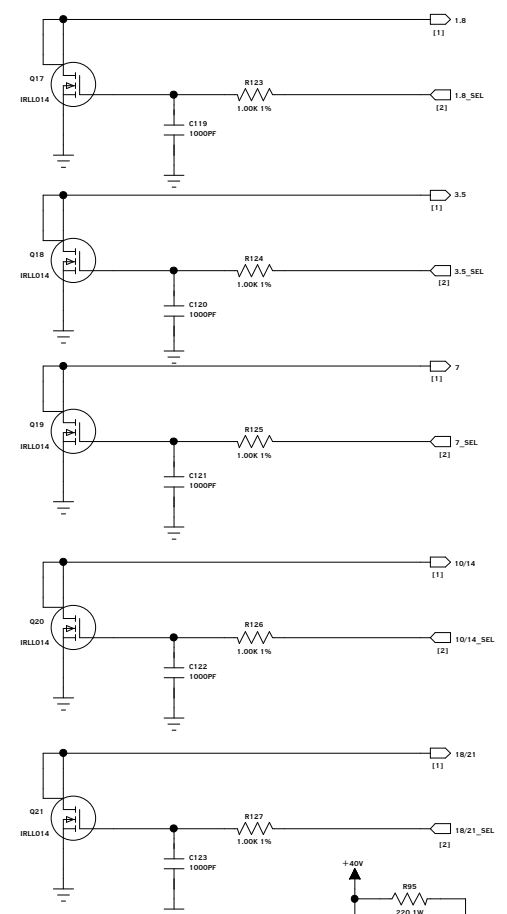
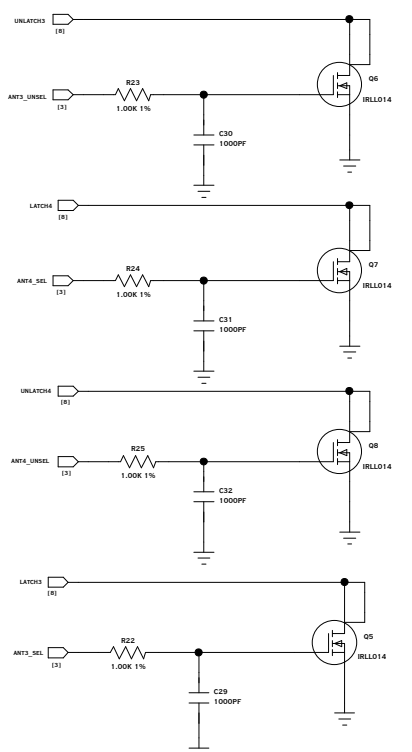
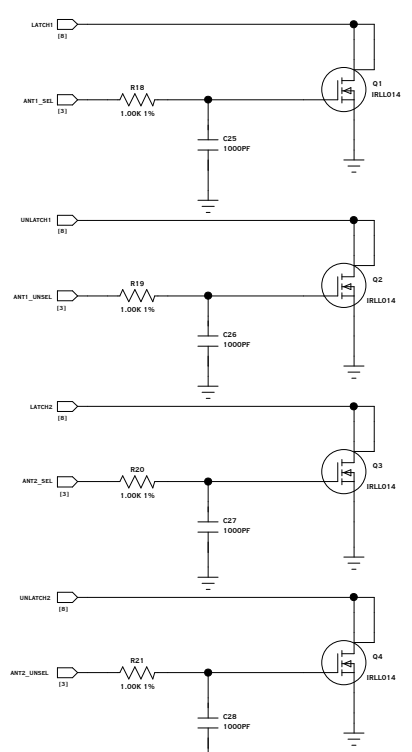
A

D

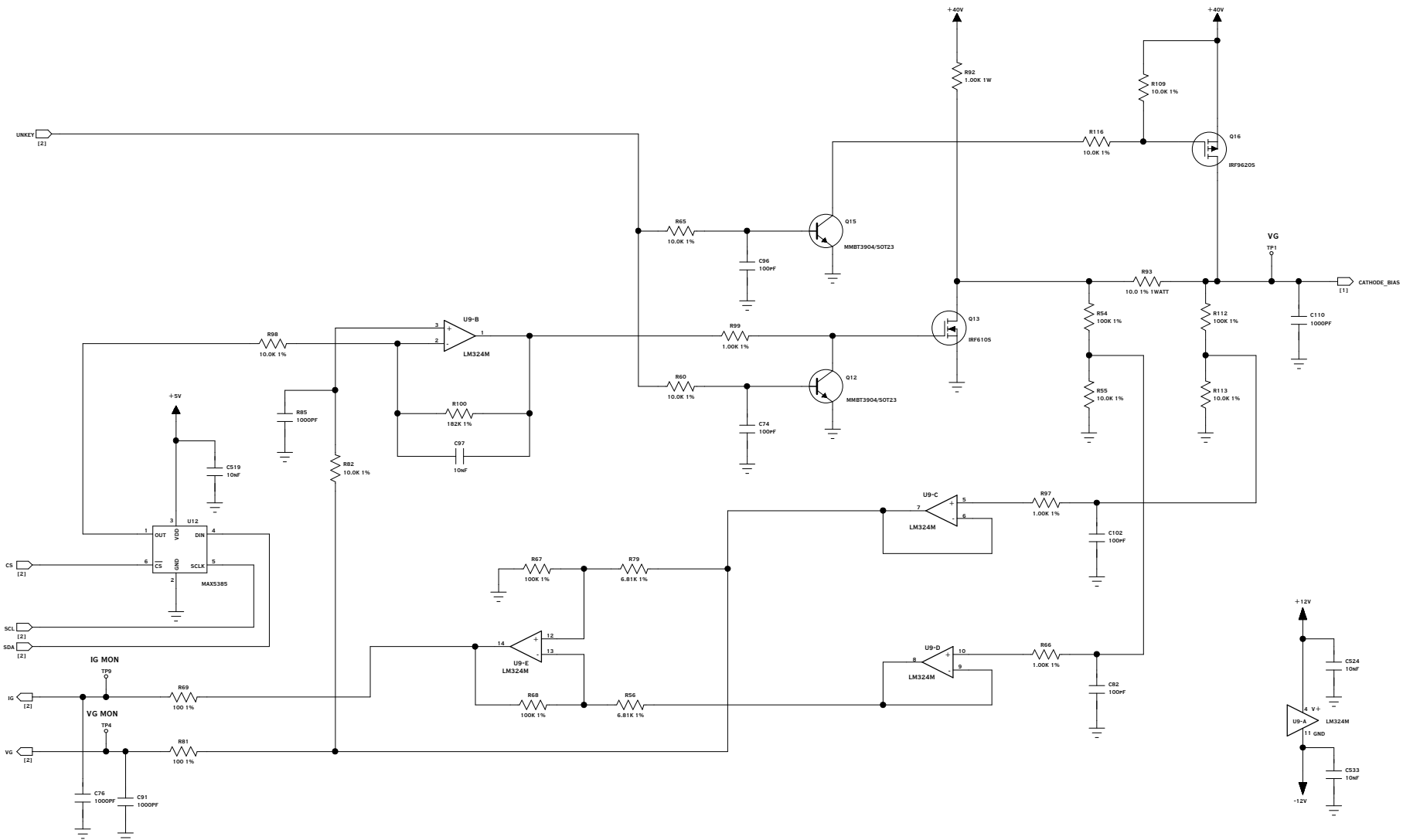
C

B

A



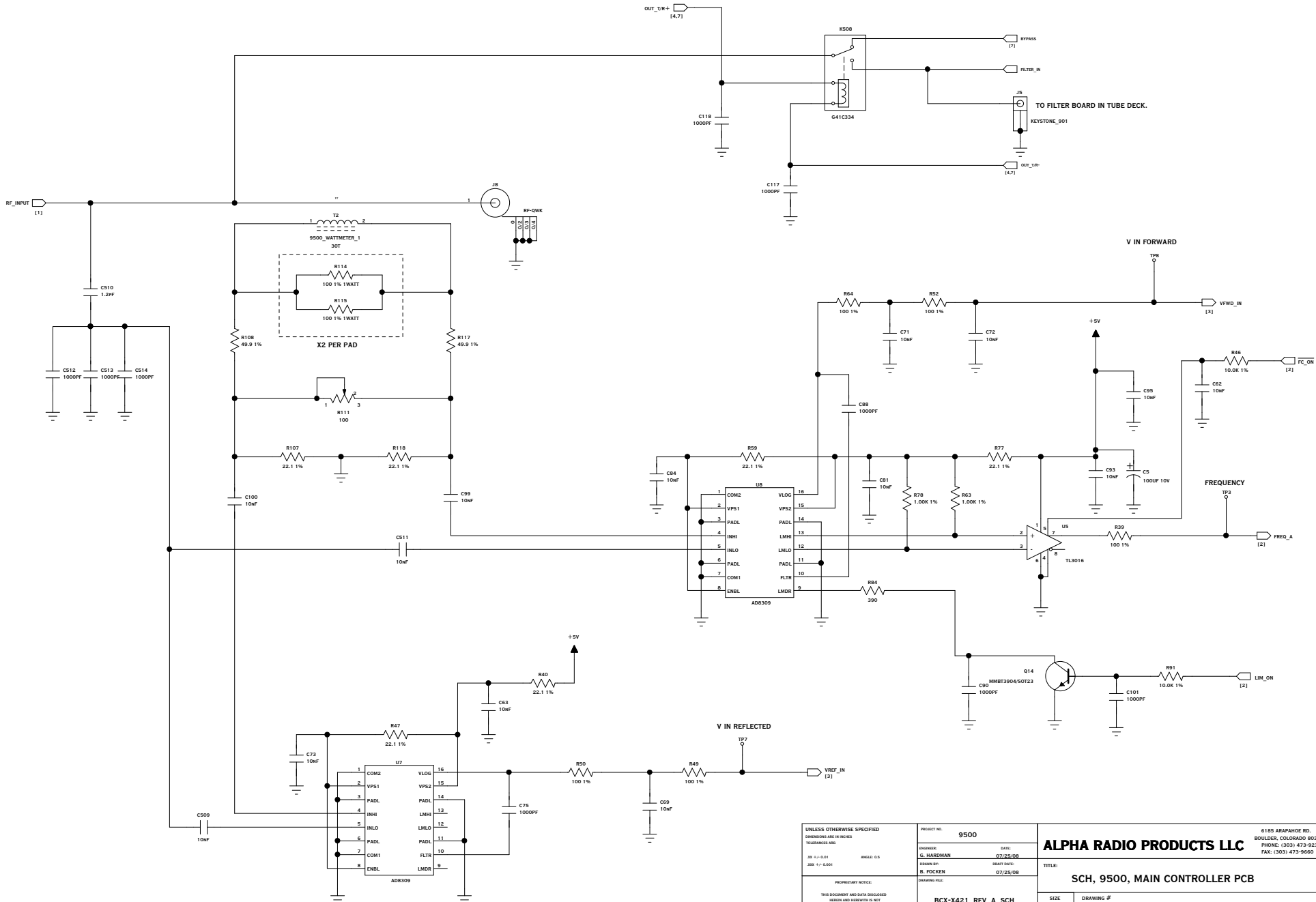
UNLESS OTHERWISE SPECIFIED DIMENSIONS ARE IN INCHES TOLERANCES ARE: XX +/- 0.01 XX +/- 0.001 PROPRIETARY NOTICE: THIS DOCUMENT AND DATA DISCLOSED HEREIN AND HEREWITH IS NOT TO BE REPRODUCED, COPIED, OR DISCLOSED IN WHOLE OR ANY PART TO ANYONE WITHOUT THE PERMISSION OF ALPHA RADIO PRODUCTS LLC.	PROJECT NO. 9500	DATE: 07/25/09	ALPHA RADIO PRODUCTS LLC 1815 ARAPAHOE RD. BOULDER, COLORADO 80303 PHONE: (303) 473-9532 FAX: (303) 473-9660
	ENGINEER: G. HARMAN	DESIGNER: B. FOCKEN	
DRAWING FILE: BCX-X421_REV_A_SCH	PAGE NUMBER/DRAWING	SCALE	REV. A



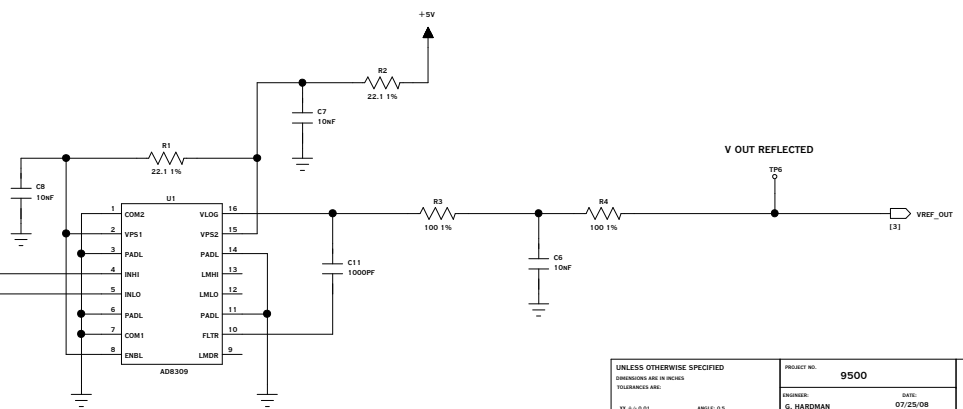
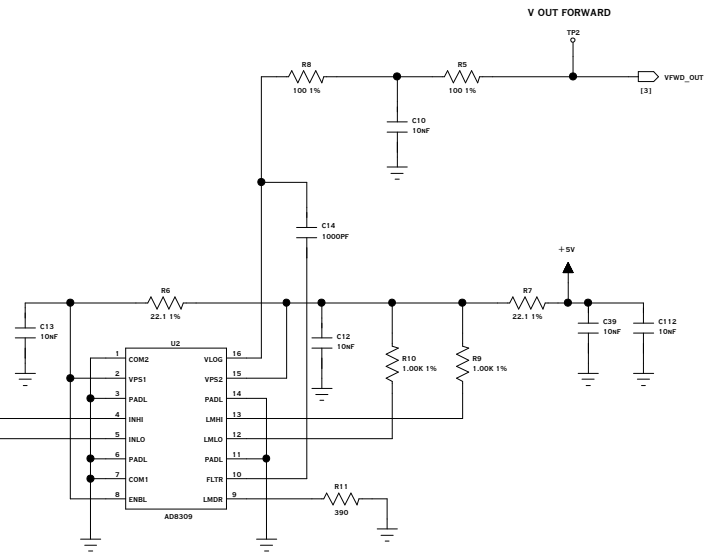
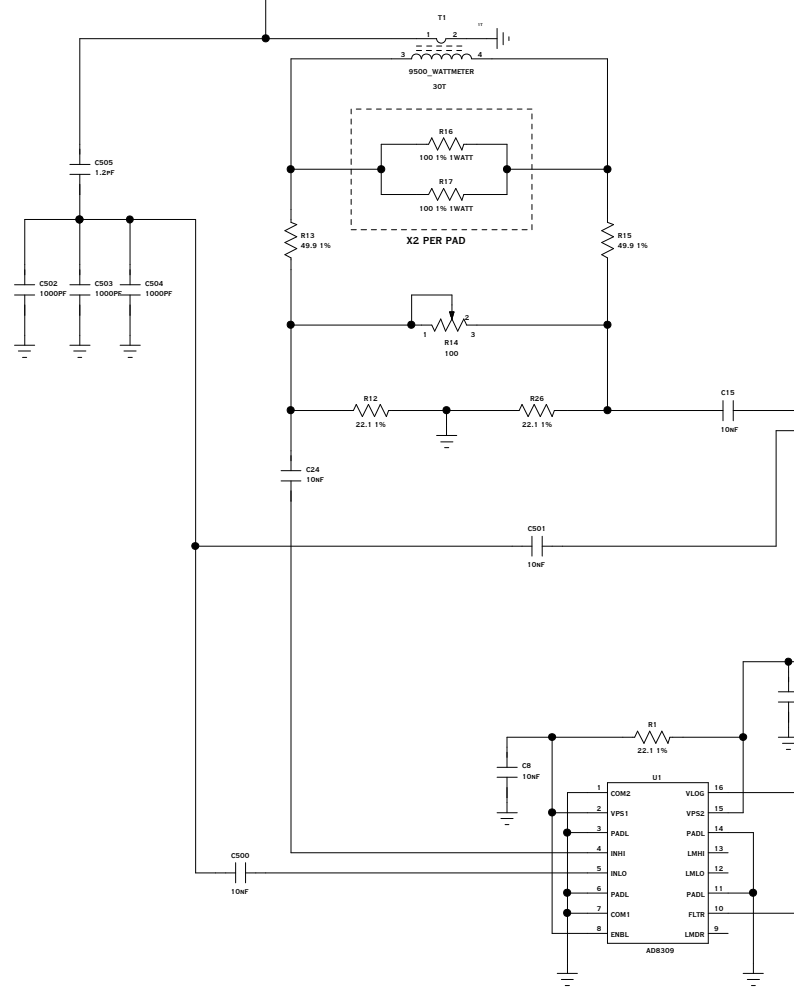
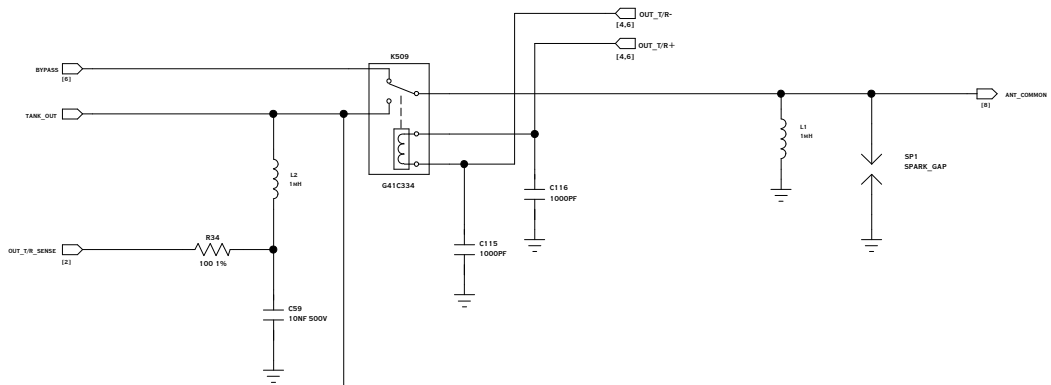
COMPONENT TYPE - ELECTRICAL
 CATEGORY - CUSTOM
 DESIGNATION - NONE

UNLESS OTHERWISE SPECIFIED DIMENSIONS ARE IN INCHES TOLERANCES ARE: XX .X - 0.01 ANGLE: 0.5 XXX .X - 0.001		PROJECT NO. 9500	DATE: 07/25/08
DESIGNED BY: G. HANDEMAN		ENGINEER: G. HANDEMAN	DATE: 07/25/08
DRAWN BY: B. FOCKEN		DESIGNER: B. FOCKEN	DATE: 07/25/08
DRAWING FILE: BCX-X421_REV_A_SCH		TITLE: SCH, 9500, MAIN CONTROLLER PCB	
PAGE NUMBER/NO. OF PAGES: 1/1		SIZE C	DRAWING # BCX-X421 BIAS
PAGE PAPER/NO. OF PAGES: 1/1		SCALE	REV. A

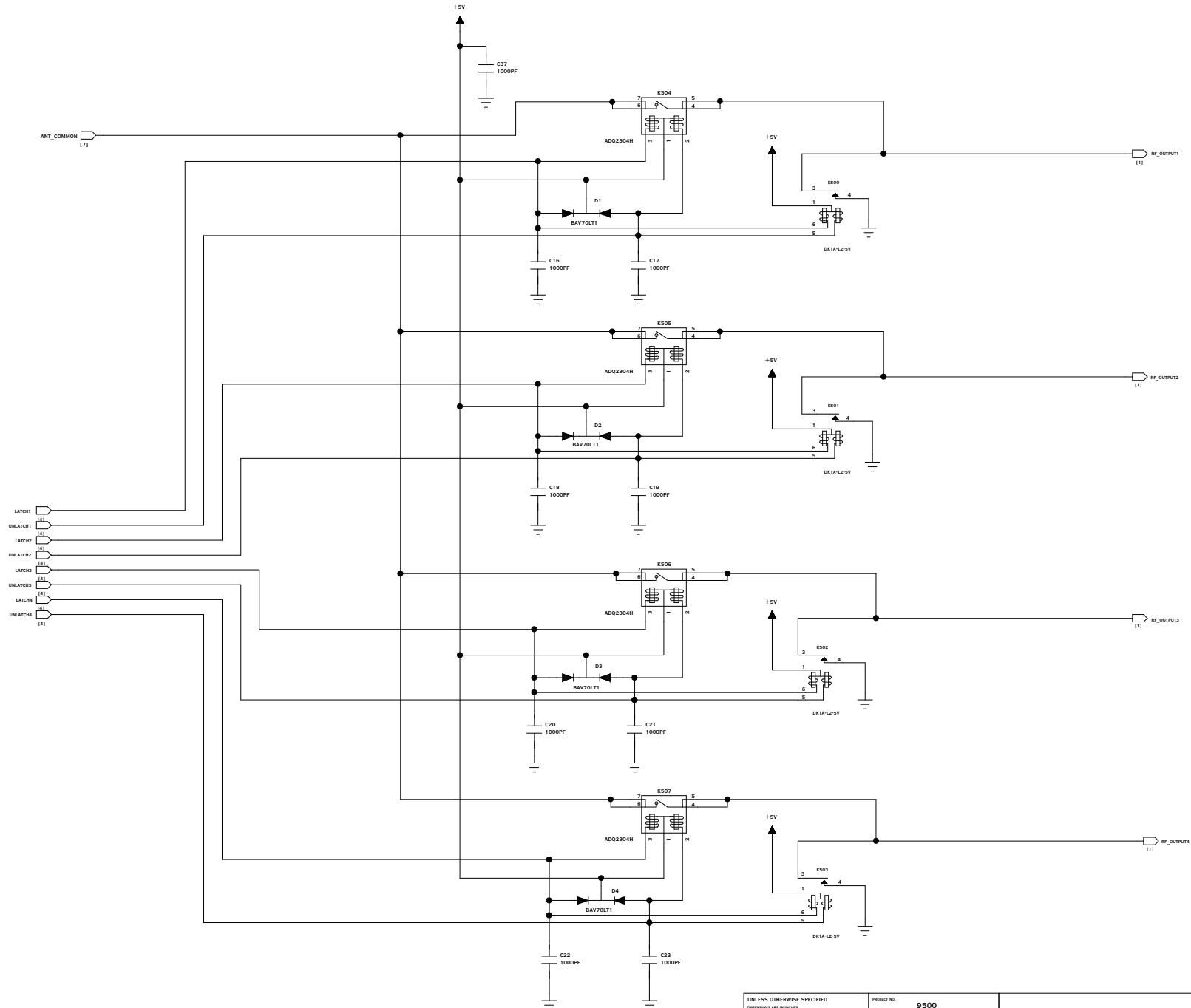
ALPHA RADIO PRODUCTS LLC 6185 ARAPAHOE RD. BOULDER, COLORADO 80303 PHONE: (303) 473-9232 FAX: (303) 473-9660	
SCH, 9500, MAIN CONTROLLER PCB	
SIZE C	DRAWING # BCX-X421 BIAS
SCALE	
SHEET 5 OF 8	



UNLESS OTHERWISE SPECIFIED DIMENSIONS ARE IN INCHES TOLERANCES ARE: .XX +/- 0.01 ANGLE: 0.5 .XXX +/- 0.001	PROJECT NO. 9500 ENGINEER: G. HANDEMAN DRAWN BY: B. FOCKEN DATE: 07/25/08 DRAW DATE: 07/25/08	ALPHA RADIO PRODUCTS LLC 6185 ARAPAHOE RD. BOULDER, COLORADO 80303 PHONE: (303) 473-9232 FAX: (303) 473-9660	
	PROPRIETARY NOTICE: THIS DOCUMENT AND DATA DISCLOSED HEREIN AND HEREWITH IS NOT TO BE REPRODUCED, COPIED, OR DISCLOSED IN WHOLE OR ANY PART TO ANYONE WITHOUT THE PERMISSION OF ALPHA RADIO PRODUCTS LLC.		DRAWING FILE: BCX-X421_REV_A_SCH PADS POWERBOARD DRAWING
COMPONENT TYPE - ELECTRICAL CATEGORY - CUSTOM DESIGNATION - NONE	SIZE C	DRAWING # BCX-X421 INPUT WATT METER	REV. A
SCALE		SHEET 6 OF 8	



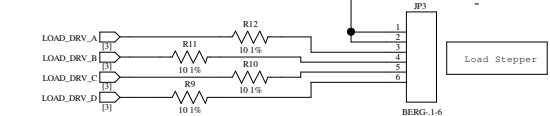
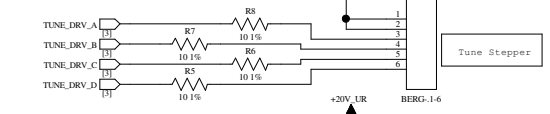
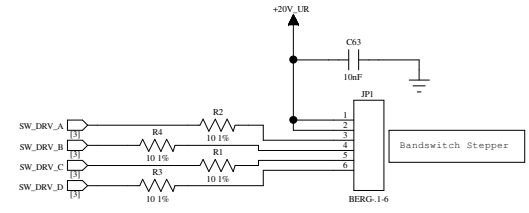
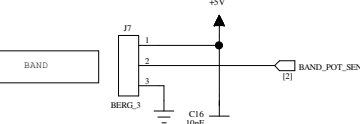
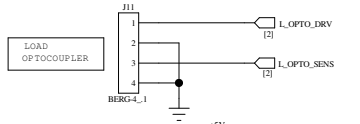
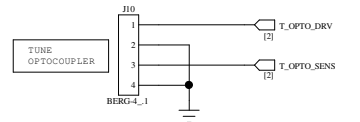
UNLESS OTHERWISE SPECIFIED DIMENSIONS ARE IN INCHES TOLERANCES ARE: .XX +/- 0.01 ANGLE: 0.5 .XXX +/- 0.001		PROJECT NO. 9500 ENGINEER: G. HARMAN DESIGNER: B. FOCKEN	DATE: 07/25/08 DRAWN DATE: 07/25/08	ALPHA RADIO PRODUCTS LLC BOULDER, COLORADO 80303 PHONE: (303) 473-9232 FAX: (303) 473-9660
PROPRIETARY NOTICE: THIS DOCUMENT AND DATA DISCLOSED HEREIN AND HEREWITH IS NOT TO BE REPRODUCED, COPIED, OR DISCLOSED IN WHOLE OR ANY PART TO ANYONE WITHOUT THE PERMISSION OF ALPHA RADIO PRODUCTS LLC.		DRAWING FILE: BCX-X421_REV_A_SCH	TITLE: SCH, 9500, MAIN CONTROLLER PCB	SIZE C DRAWING # BCX-X421 OUTPUT WATT METER
COMPONENT TYPE - ELECTRICAL CATEGORY - CUSTOM DESIGNATION - NONE		PADS POWERLOGIC DRAWING	SCALE	REV. A SHEET 7 OF 8



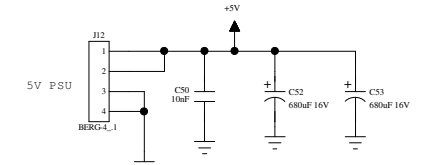
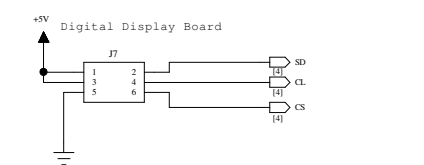
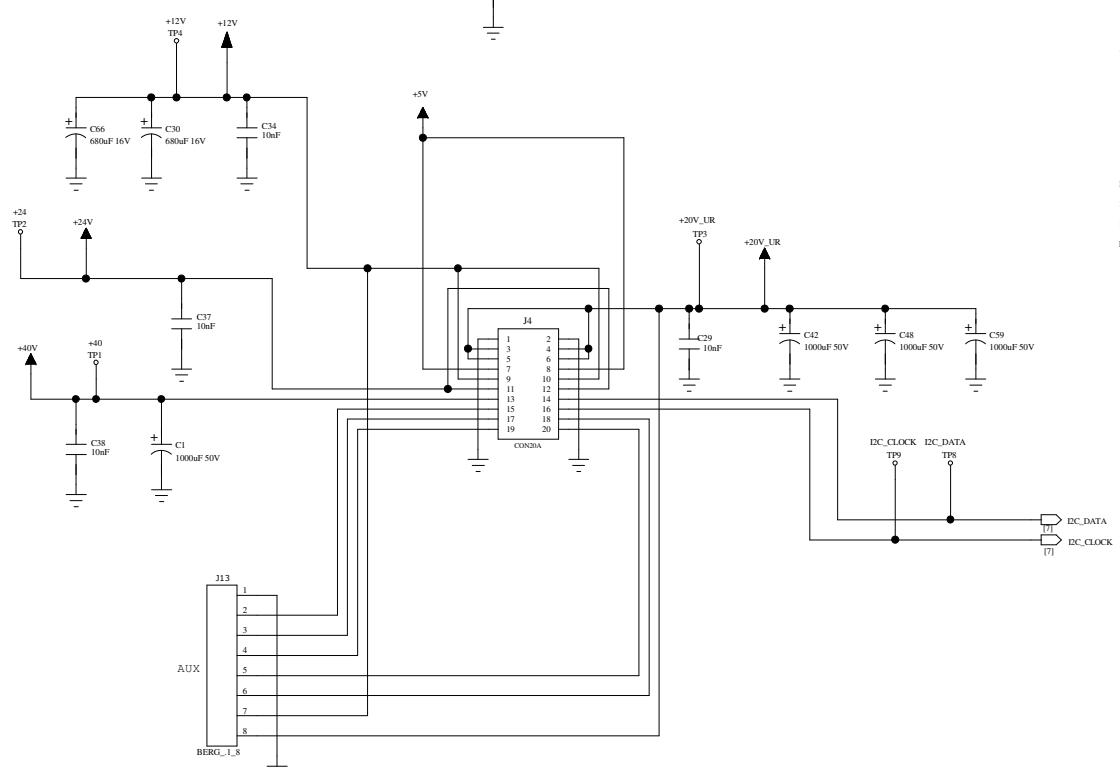
UNLESS OTHERWISE SPECIFIED DIMENSIONS ARE IN INCHES TOLERANCES ARE: .XX +/- 0.01 ANGLE: 0.5 .001 +/- 0.001	PROJECT NO. 9500	ALPHA RADIO PRODUCTS LLC 6185 ARAPAHOE RD. BOULDER, COLORADO 80303 PHONE: (303) 473-9232 FAX: (303) 473-9660
	ENGINEER: S. HARMON DATE: 07/25/08 DRAWN BY: B. FOCKEN DATE: 07/25/08	
PROPRIETARY NOTICE: THIS DOCUMENT AND DATA DISCLOSED HEREIN AND HEREWITH IS NOT TO BE REPRODUCED, COPIED, OR DISCLOSED IN WHOLE OR ANY PART TO ANYONE WITHOUT THE PERMISSION OF ALPHA RADIO PRODUCTS LLC.	DRAWING FILE: BCX-X421_REV_A.SCH	SIZE C DRAWING # BCX-X421
COMPONENT TYPE - ELECTRICAL CATEGORY - 030104 DESIGNATION - NONE	PADS POWERLOGIC DRAWING	SCALE SHEET 8 OF 8

REVISION HISTORY					
REV	ECO NO.	DESCRIPTION	CHANGED BY & DATE	CHECKED BY & DATE	EFFECTIVITY DATE
1.1		INITIAL RELEASE	BWF 09/25/05	GEH 09/25/05	09/25/05
1.2		VALUE CHANGES AND WIRES	BWF 04/05/06	GEH 04/05/06	04/05/06
1.3		VALUE CHANGES AND WIRES	BWF 07/15/06	GEH 07/15/06	07/15/06
2		ADD POWER SUPPLY	BWF 08/01/06	GEH 08/01/06	08/01/06

D



C



B

A

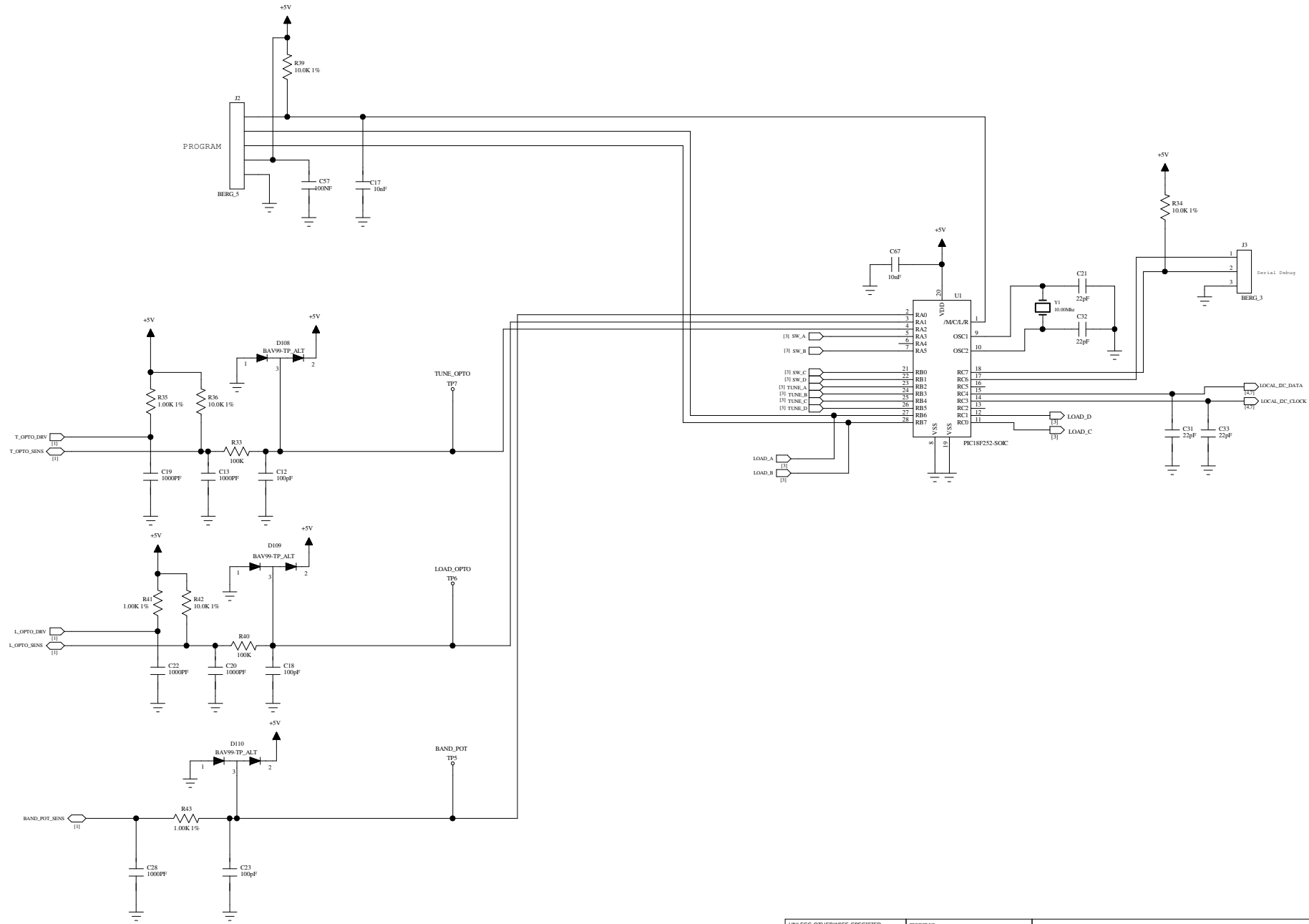
D

C

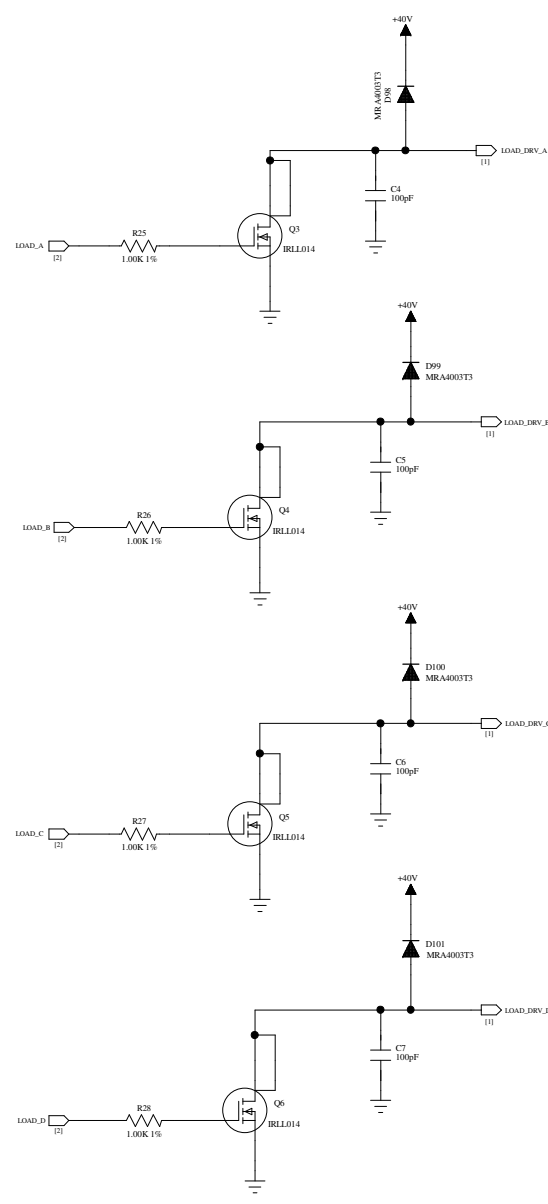
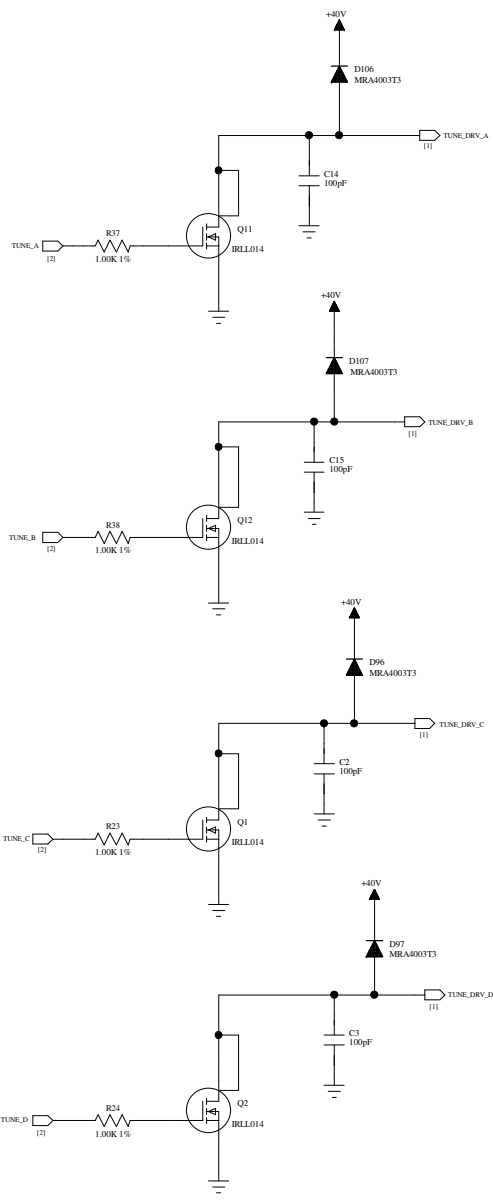
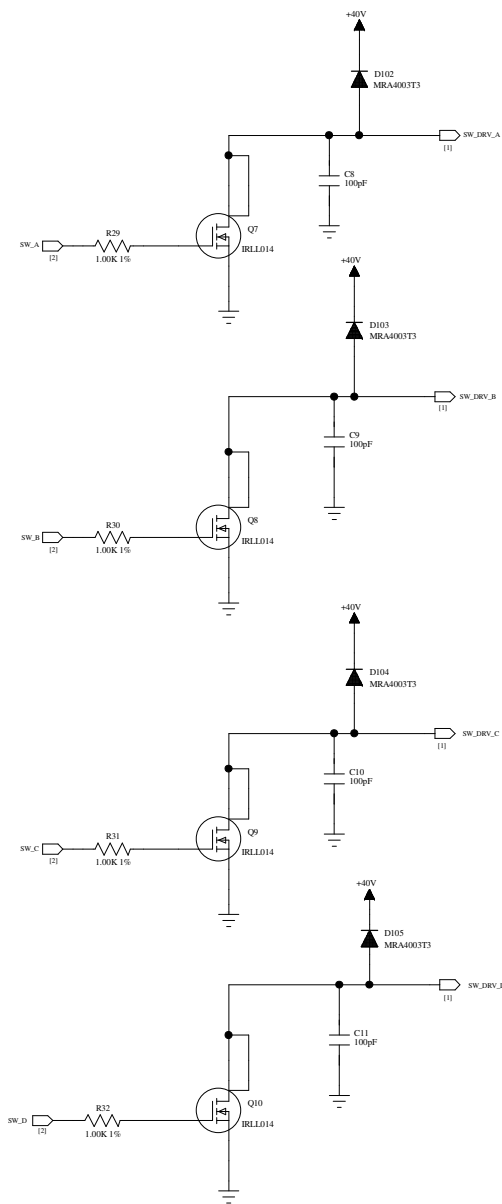
B

A

UNLESS OTHERWISE SPECIFIED DIMENSIONS ARE IN INCHES TOLERANCES ARE: .XX +/- 0.01 ANGLE: 0.5 .XXX +/- 0.003	PROJECT NO. 9500 ENGINEER: C. HARMANN DRAWN BY: B. FOCKEN DATE: 08/20/06	ALPHA RADIO PRODUCTS LLC 6185 ARAPAHOE RD. BOULDER, COLORADO 80303 PHONE: (303) 473-9232 FAX: (303) 473-9660
	PROPRIETARY NOTICE: THIS DOCUMENT AND DATA DISCLOSED HEREIN AND HEREWITH IS NOT TO BE REPRODUCED, COPIED, OR DISCLOSED IN WHOLE OR IN PART TO ANYONE WITHOUT THE PERMISSION OF ALPHA RADIO PRODUCTS LLC.	
COMPONENT TYPE = ELECTRICAL CATEGORY = CUSTOM DESIGNATION = NONE	PROJECT NO. 9500 DRAWING FILE: BCX-X422_REV_A_SCH PADS POWERLOGIC DRAWING	SHEET 1 OF 7



UNLESS OTHERWISE SPECIFIED DIMENSIONS ARE IN INCHES TOLERANCES ARE: .XX +/- 0.01 ANGLE: 0.5 .XXX +/- 0.003	PROJECT NO. 9500	ALPHA RADIO PRODUCTS LLC 6185 ARAPAHOE RD. BOULDER, COLORADO 80303 PHONE: (303) 473-9232 FAX: (303) 473-9660
	ENGINEER: G. HARMANN DATE: 08/26/08 DRAWN BY: B. HOCKEN DRAFT DATE: 08/26/08	
PROPRIETARY NOTICE: THIS DOCUMENT AND DATA DISCLOSED HEREIN AND HEREWITHIN IS NOT TO BE REPRODUCED, COPIED, OR DISCLOSED IN WHOLE OR ANY PART TO ANYONE WITHOUT THE PERMISSION OF ALPHA RADIO PRODUCTS LLC.	DRAWING FILE: BCX-X422_REV_A_SCH	TITLE: SCH, 9500, FRONT PANEL PCB
COMPONENT TYPE = ELECTRICAL CATEGORY = CUSTOM DESIGNATION = NONE	PADS POWERLOGIC DRAWING	SIZE C DRAWING # BCX-X422 REV. A SCALE SHEET 2 OF 7



UNLESS OTHERWISE SPECIFIED DIMENSIONS ARE IN INCHES TOLERANCES ARE: XX +/- 0.01 ANGLE: 0.5 XXX +/- 0.001	PROJECT NO. 9500	ALPHA RADIO PRODUCTS LLC 6185 ARAPAHOE RD. BOULDER, COLORADO 80303 PHONE: (303) 473-9232 FAX: (303) 473-9660
	ENGINEER: C. HARDMANN DATE: 08/20/08 DRAWN BY: B. HOCKEN DRAFT DATE: 08/20/08	
PROPRIETARY NOTICE: THIS DOCUMENT AND DATA DISCLOSED HEREIN AND HEREWITH IS NOT TO BE REPRODUCED, COPIED, OR DISCLOSED IN WHOLE OR ANY PART TO ANYONE WITHOUT THE PERMISSION OF ALPHA RADIO PRODUCTS LLC.	DRAWING FILE: BCX-X422_REV_A_SCH	SIZE C DRAWING # BCX-X422
COMPONENT TYPE = ELECTRICAL CATEGORY = CUSTOM DESIGNATION = NONE	PAGE POWERBLOCK DRAWING	SCALE
		REV. A
		SHEET 3 OF 7

D

C

B

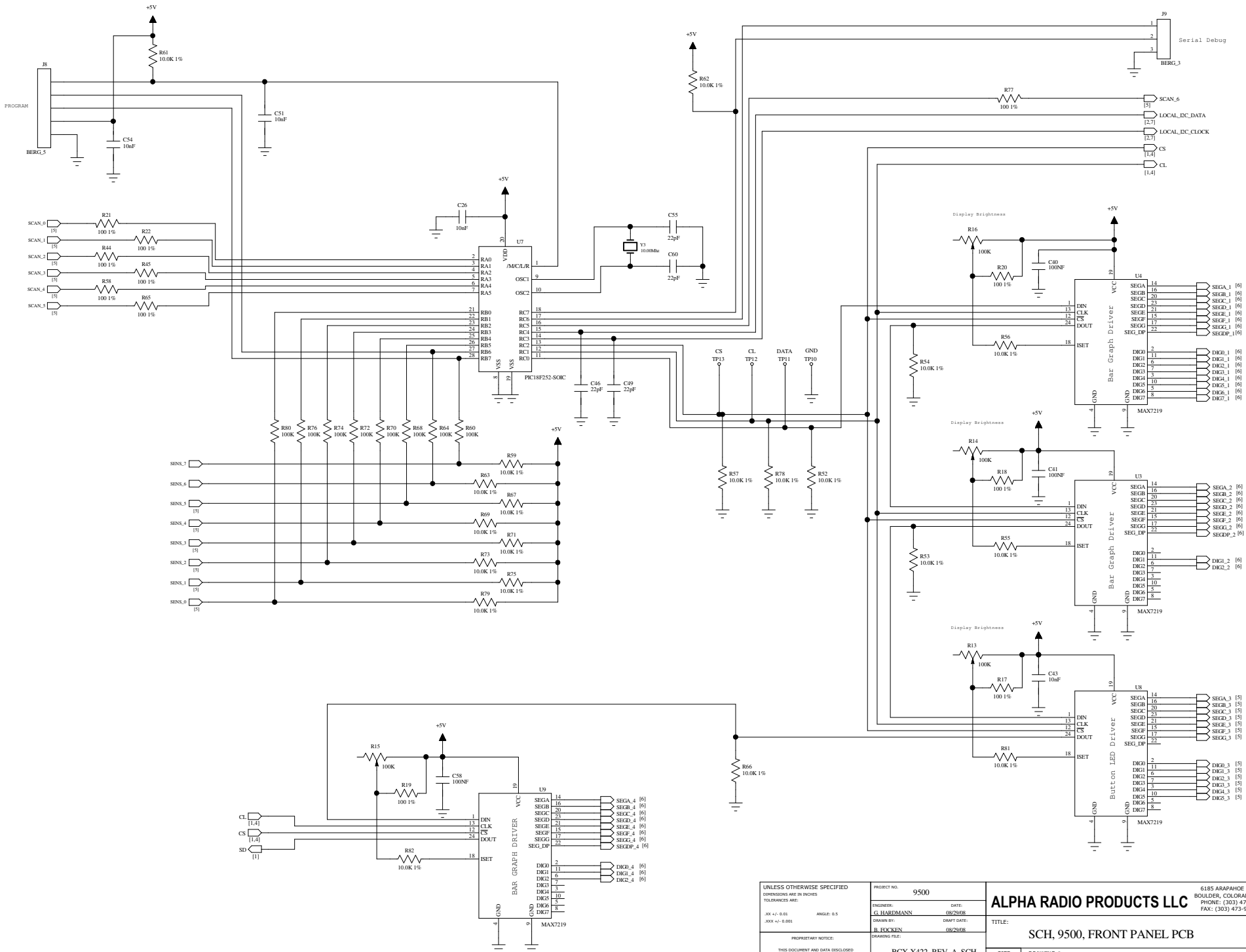
A

D

C

B

A



UNLESS OTHERWISE SPECIFIED DIMENSIONS ARE IN INCHES TOLERANCES ARE: XX +/- 0.01 ANGLE: 0.5 XXX +/- 0.001	PROJECT NO. 9500	6185 ARAPAHOE RD. BOULDER, COLORADO 80303 PHONE: (303) 473-9232 FAX: (303) 473-9660
	ENGINEER: G. HARMANN	DATE: 08/20/08
PROPRIETARY NOTICE: THIS DOCUMENT AND DATA DISCLOSED HEREIN AND HEREWITH IS NOT TO BE REPRODUCED, COPIED, OR DISCLOSED IN WHOLE OR ANY PART TO ANYONE WITHOUT THE PERMISSION OF ALPHA RADIO PRODUCTS LLC.	DRAWN BY: B. HOCKEN	DRAWING FILE: BCX-X422_REV_A_SCH
PAID POWERLOGIC DRAWING	TITLE: SCH, 9500, FRONT PANEL PCB	SCALE
SIZE C	DRAWING # BCX-X422	REV. A

6

5

4

3

2

1

D

D

C

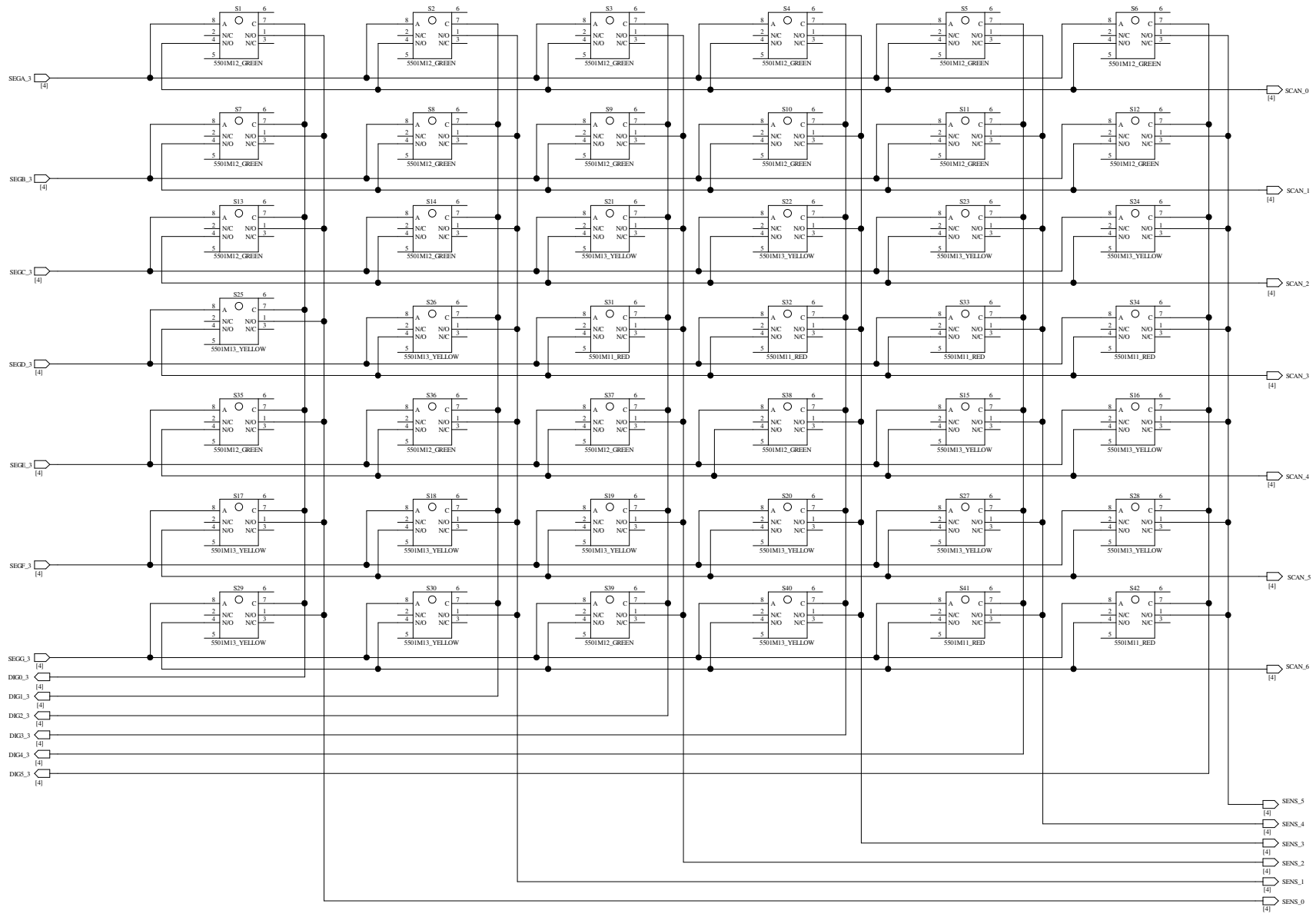
C

B

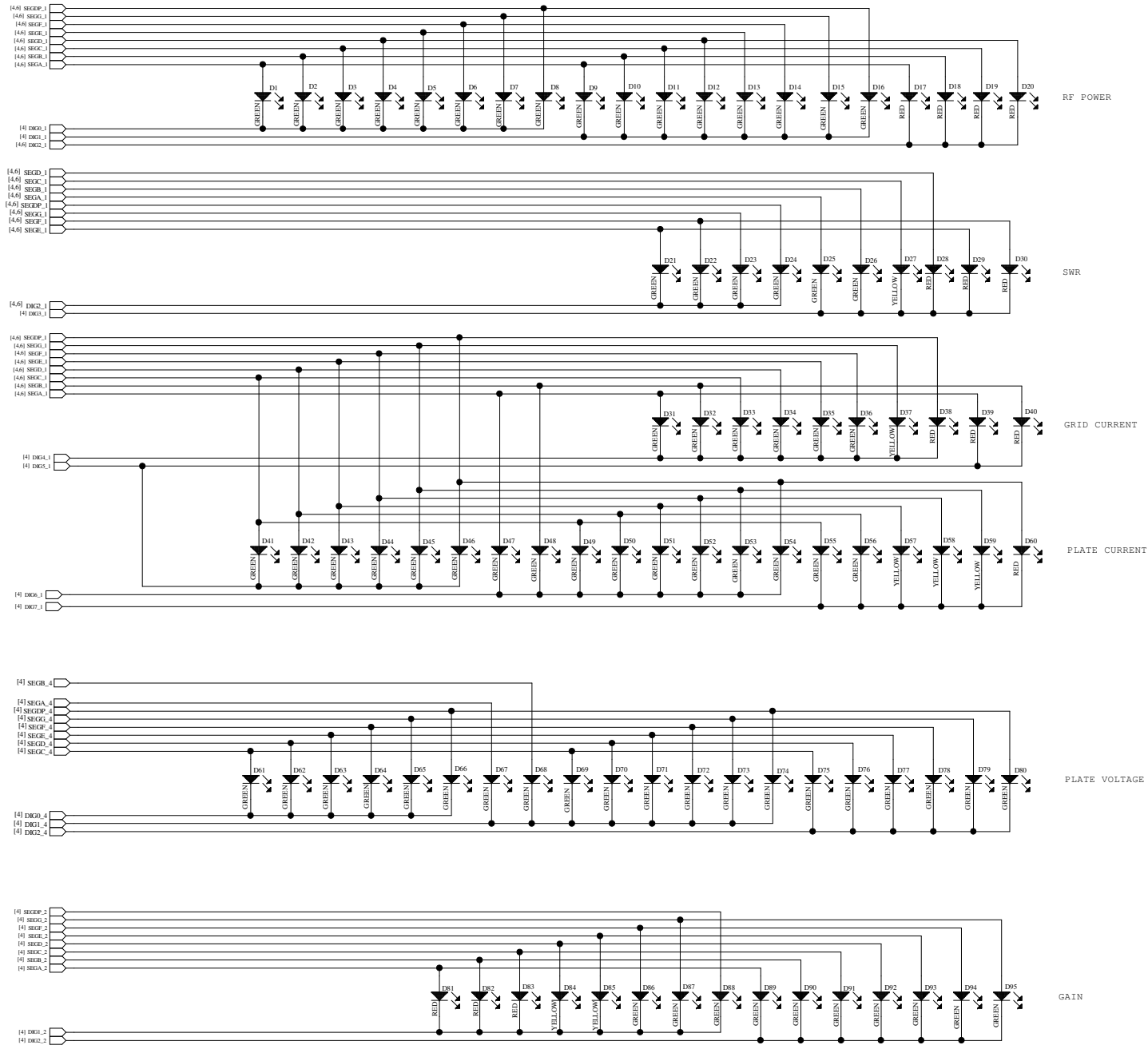
B

A

A



UNLESS OTHERWISE SPECIFIED DIMENSIONS ARE IN INCHES TOLERANCES ARE: XX +/- 0.01 ANGLE: 0.5 XXX +/- 0.001		PROJECT NO. 9500 ENGINEER: LG HARDMANN DRAWN BY: B. FOCKEN DATE: 08/20/08 DRAW DATE: 08/20/08	6185 ARAPAHOE RD. BOULDER, COLORADO 80303 PHONE: (303) 473-9232 FAX: (303) 473-9660
PROPERTY NOTICE: THIS DOCUMENT AND DATA DISCLOSED HEREIN AND HEREWITH IS NOT TO BE REPRODUCED, COPIED, OR DISCLOSED IN WHOLE OR ANY PART TO ANYONE WITHOUT THE PERMISSION OF ALPHA RADIO PRODUCTS LLC.		TITLE: SCH, 9500, FRONT PANEL PCB DRAWING FILE: BCX-X422_REV_A_SCH	SCALE
COMPONENT TYPE = ELECTRICAL CATEGORY = CUSTOM DESIGNATION = NONE	SIZE C	DRAWING # BCX-X422	REV. A
PAGES POWERLOGIC DRAWING		SHEET 5 OF 7	

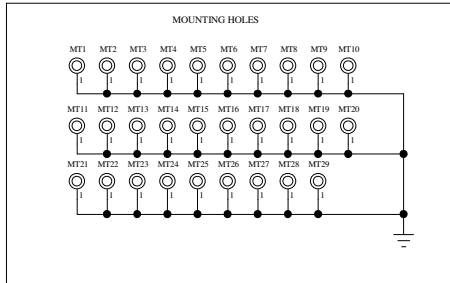
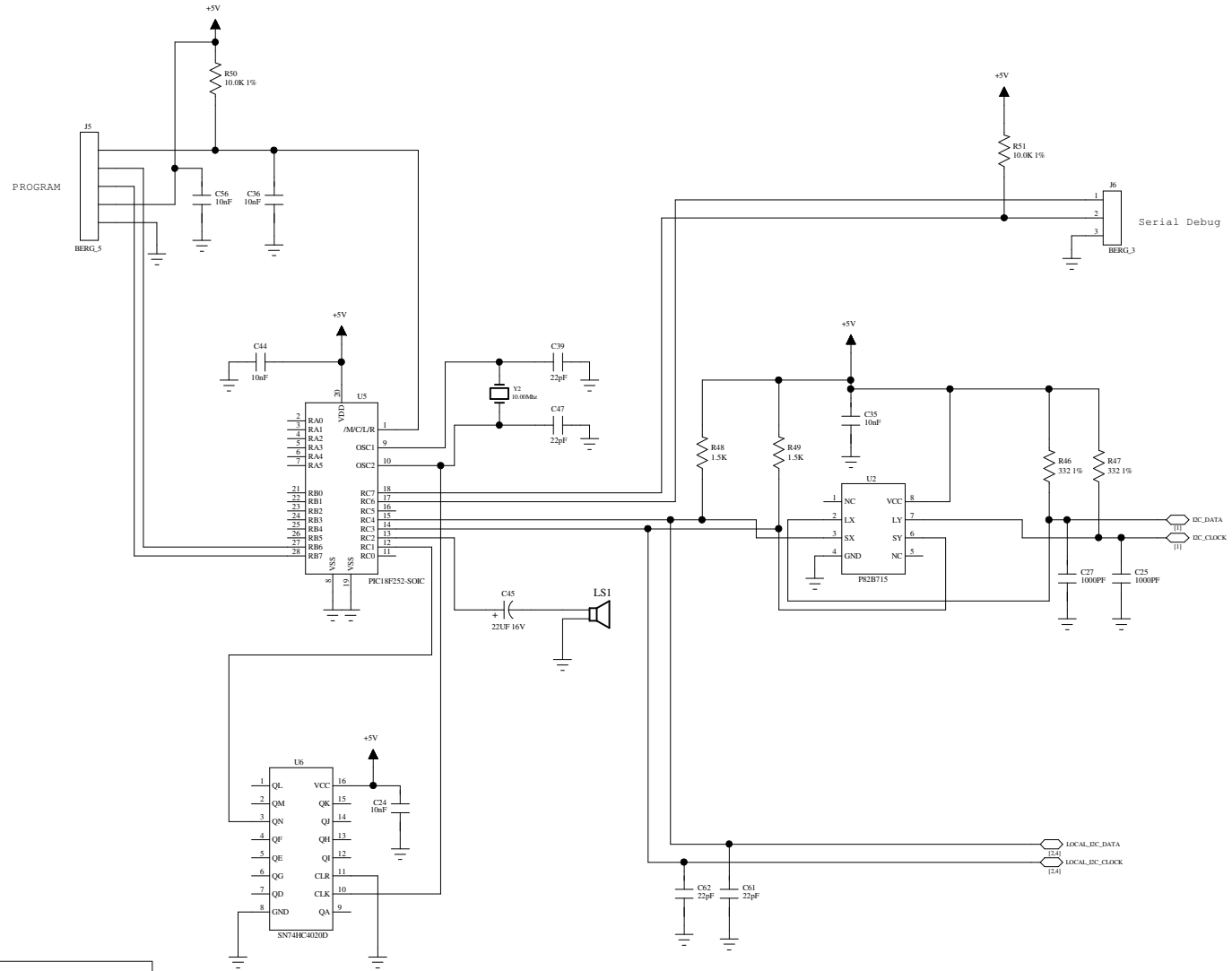


COMPONENT TYPE = ELECTRICAL
 CATEGORY = CUSTOM
 DESIGNATION = NONE

UNLESS OTHERWISE SPECIFIED
 DIMENSIONS ARE IN INCHES
 TOLERANCES ARE:
 .XX +/- 0.01 ANGLE: 0.5
 .XXX +/- 0.001
 PROPRIETARY NOTICE:
 THIS DOCUMENT AND DATA DISCLOSED
 HEREIN AND HEREWITH IS NOT
 TO BE REPRODUCED, COPIED,
 OR DISCLOSED IN WHOLE OR
 ANY PART TO ANYONE WITHOUT
 THE PERMISSION OF ALPHA RADIO PRODUCTS LLC.

PROJECT NO. 9500
 ENGINEER: G. HARMANN
 DRAWN BY: B. FOCKEN
 DATE: 08/20/08
 DRAFT DATE: 08/20/08
 DRAWING FILE: BCX-X422_REV_A_SCH
 PADS POWERLOGIC DRAWING

ALPHA RADIO PRODUCTS LLC 6185 ARAPAHOE RD. BOULDER, COLORADO 80303 PHONE: (303) 473-9232 FAX: (303) 473-9660		TITLE:	SCHEMATIC, FRONT PANEL ALPHA 9500	
		SIZE	DRAWING #	REV.
C		BCX-X422		A
SCALE			SHEET 6 OF 7	



UNLESS OTHERWISE SPECIFIED DIMENSIONS ARE IN INCHES TOLERANCES ARE: .XX +/- 0.01 .XXX +/- 0.001 ANGLE: 0.5 DRAWN BY: B. FOCKEN DATE: 08/20/08	PROJECT NO. 9500	ALPHA RADIO PRODUCTS LLC 6185 ARAPAHOE RD. BOULDER, COLORADO 80303 PHONE: (303) 473-9232 FAX: (303) 473-9660
	ENGINEER: G. HARDMANN DATE: 08/20/08	
PROPRIETARY NOTICE: THIS DOCUMENT AND DATA DISCLOSED HEREIN AND HEREWITH IS NOT TO BE REPRODUCED, COPIED, OR DISCLOSED IN WHOLE OR ANY PART TO ANYONE WITHOUT THE PERMISSION OF ALPHA RADIO PRODUCTS LLC.	DRAWING FILE: BCX-X422_REV_A_SCH	TITLE: SCH, 9500, FRONT PANEL PCB
COMPONENT TYPE = ELECTRICAL CONTROLLER = CUSTOM DESIGNATION = NONE	SIZE C	DRAWING # BCX-X422
PAID POWERLOGIC DRAWING	SCALE	REV. A
SHEET 7 OF 7		

6

5

4

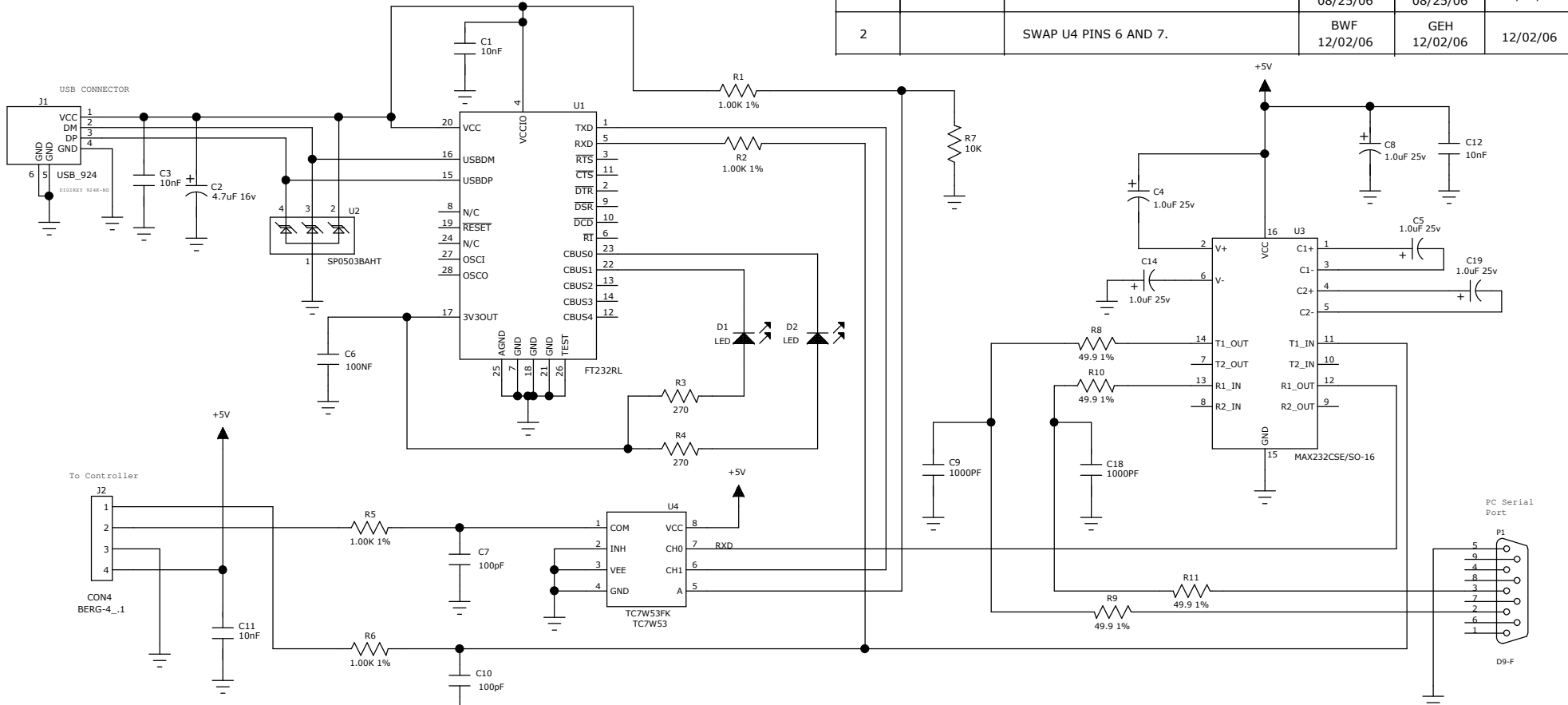
3

2

1

REVISION HISTORY

REV	ECO NO.	DESCRIPTION	CHANGED BY & DATE	CHECKED BY & DATE	EFFECTIVITY DATE
1		INITIAL RELEASE	BWF 08/25/06	GEH 08/25/06	08/25/06
2		SWAP U4 PINS 6 AND 7.	BWF 12/02/06	GEH 12/02/06	12/02/06



D

D

C

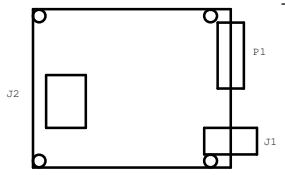
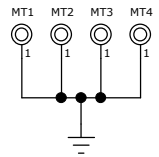
C

B

B

A

A



COMPONENT TYPE = ELECTRICAL
 CATEGORY = CUSTOM
 DESIGNATION = NONE

UNLESS OTHERWISE SPECIFIED
 DIMENSIONS ARE IN INCHES
 TOLERANCES ARE:
 .XX +/- 0.01 ANGLE: 0.5
 .XXX +/- 0.001

PROPRIETARY NOTICE:
 THIS DOCUMENT AND DATA DISCLOSED
 HEREIN AND HEREWITH IS NOT
 TO BE REPRODUCED, USED,
 OR DISCLOSED IN WHOLE OR
 ANY PART TO ANYONE WITHOUT
 THE PERMISSION OF ALPHA RADIO PRODUCTS LLC.

PROJECT NO. 9500	DATE: 12/02/06
ENGINEER: G. HARDMANN	DRAFT DATE: 12/02/06
DRAWN BY: B. FOCKEN	DRAFT DATE: 12/02/06
DRAWING FILE: BCX-X429_REV_2_SCH	
PADS POWERLOGIC DRAWING	

6185 ARAPAHOE RD.
 BOULDER, COLORADO 80303
 PHONE: (303) 473-9232
 FAX: (303) 473-9660

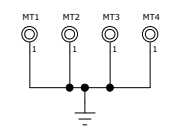
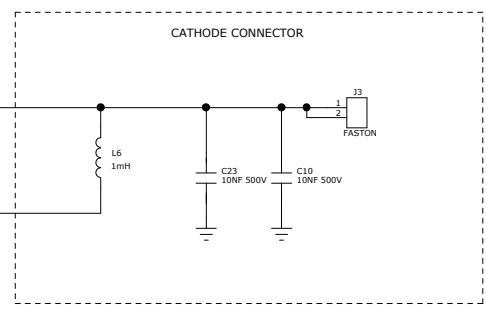
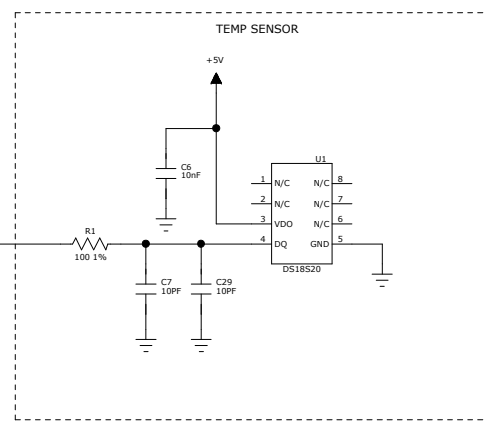
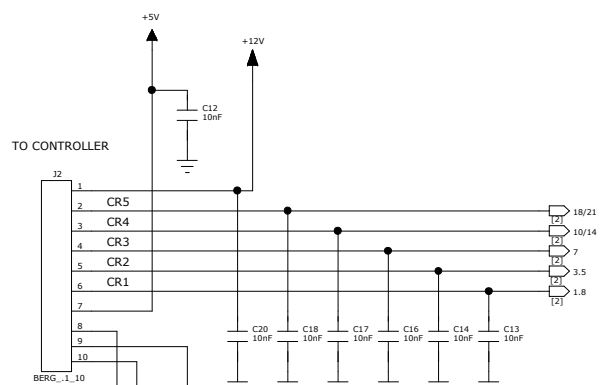
ALPHA RADIO PRODUCTS LLC

TITLE:
SCH, 9500/2100, USB BOARD

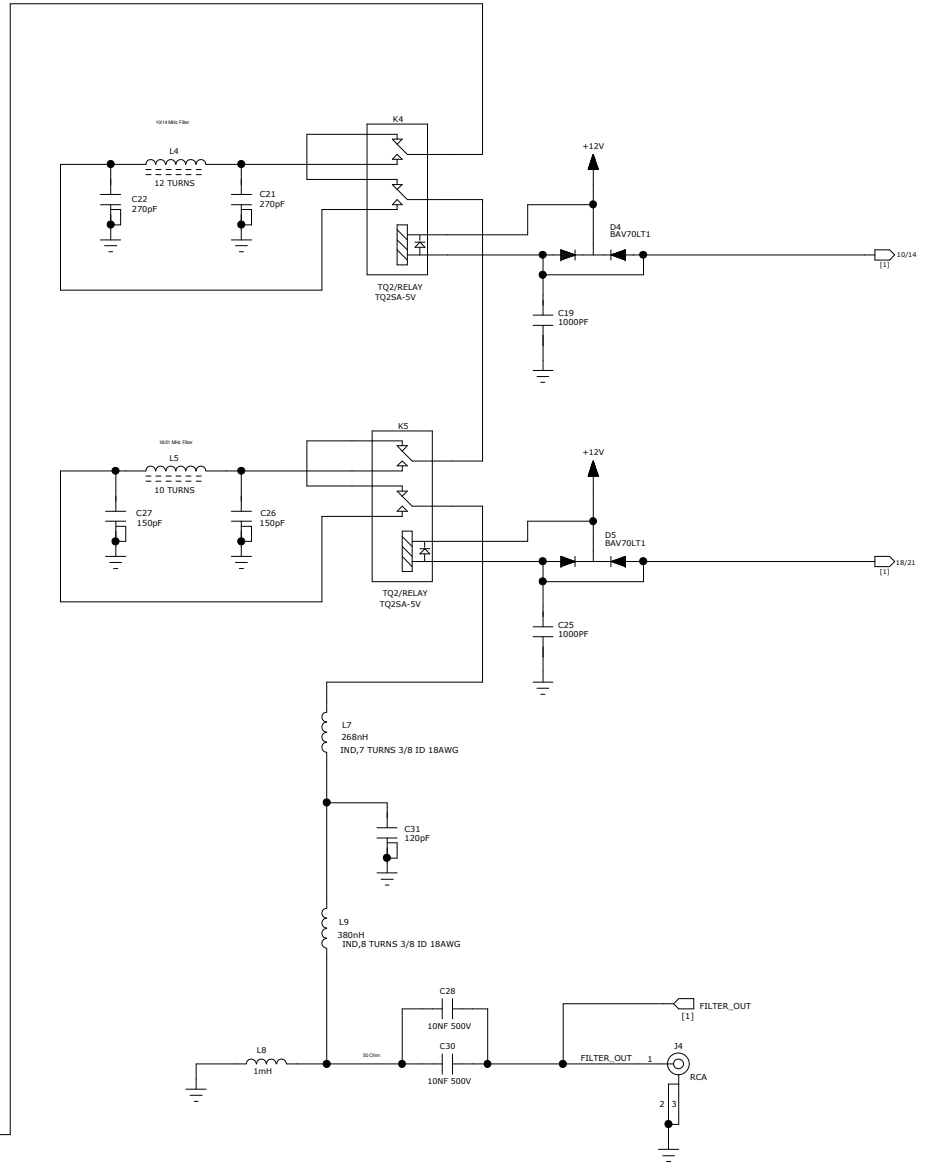
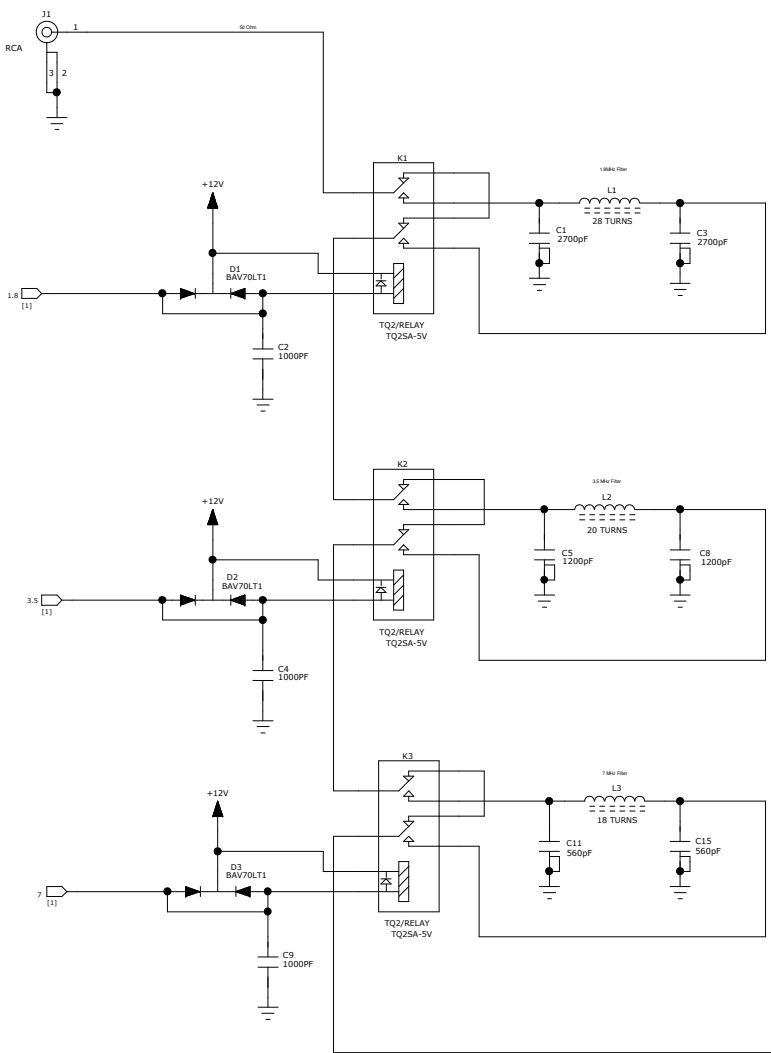
SIZE B	DRAWING # BCX-X429 USB	REV. 2
-----------	---------------------------	-----------

SCALE SHEET 1 OF 1

REVISION HISTORY					
REV	ECO NO.	DESCRIPTION	CHANGED BY & DATE	CHECKED BY & DATE	EFFECTIVITY DATE
1		INITIAL RELEASE	BWF 10/07/06	GEH 10/07/06	10/07/06
2		ADD FAST ON AND RELAY CONNECTIONS.	BWF 11/09/06	GEH 11/09/06	11/09/06
2.1		ADD RCA CONNECTORS	BWF 11/09/06	GEH 11/09/06	11/09/06
3		CONNECT RELAYS TO 12V	BWF 12/01/06	GEH 12/01/06	12/01/06



UNLESS OTHERWISE SPECIFIED DIMENSIONS ARE IN INCHES TOLERANCES ARE: .XX +/- 0.01 ANGLE: 0.5 .XXX +/- 0.003	PROJECT NO. 9500 ENGINEER: G. HARDMANN DATE: 12/01/06 DRAWN BY: B. FOCKEN DRAFT DATE: 12/01/06	ALPHA RADIO PRODUCTS LLC 6185 ARAPAHOE RD. BOULDER, COLORADO 80303 PHONE: (303) 473-9232 FAX: (303) 473-9660	
	PROPRIETARY NOTICE: THIS DOCUMENT AND DATA DISCLOSED HEREIN AND HEREWITH IS NOT TO BE REPRODUCED, COPIED, OR DISCLOSED IN WHOLE OR ANY PART TO ANYONE WITHOUT THE PERMISSION OF ALPHA RADIO PRODUCTS LLC.	DRAWING FILE: BCX-X430_REV_3_SCH	TITLE: SCH, 9500, INPUT MATCH
COMPONENT TYPE = ELECTRICAL CATEGORY = CUSTOM DESIGNATION = NONE	PADS POWERBLOC DRAWING	SIZE C DRAWING # BCX-X430	REV. 3 SHEET 1 OF 2



COMPONENT TYPE = ELECTRICAL
 CATEGORY = CUSTOM
 DESIGNATION = NONE

UNLESS OTHERWISE SPECIFIED DIMENSIONS ARE IN INCHES TOLERANCES ARE: .XX +/- 0.01 ANGLE: 0.5 .XXX +/- 0.003	PROJECT NO. 9500
	DATE: 11/20/06
ENGINEER: G. HARDMAN	DRAWN BY: B. FOCKEN
PROPRIETARY NOTICE: THIS DOCUMENT AND DATA DISCLOSED HEREIN AND HEREWITH IS NOT TO BE REPRODUCED, COPIED, OR DISCLOSED IN WHOLE OR ANY PART TO ANYONE WITHOUT THE PERMISSION OF ALPHA RADIO PRODUCTS LLC.	DRAWING FILE: BCX-X430_REV_3_SCH
PAGE POWERBLOCK DRAWING	SCALE

ALPHA RADIO PRODUCTS LLC 6185 ARAPAHOE RD. BOULDER, COLORADO 80303 PHONE: (303) 473-9232 FAX: (303) 473-9660	
TITLE: SCH, 9500, INPUT MATCH	
SIZE C	DRAWING # BCX-X430
REV. 3	SHEET 2 OF 2

6

5

4

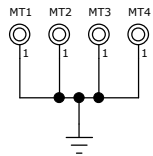
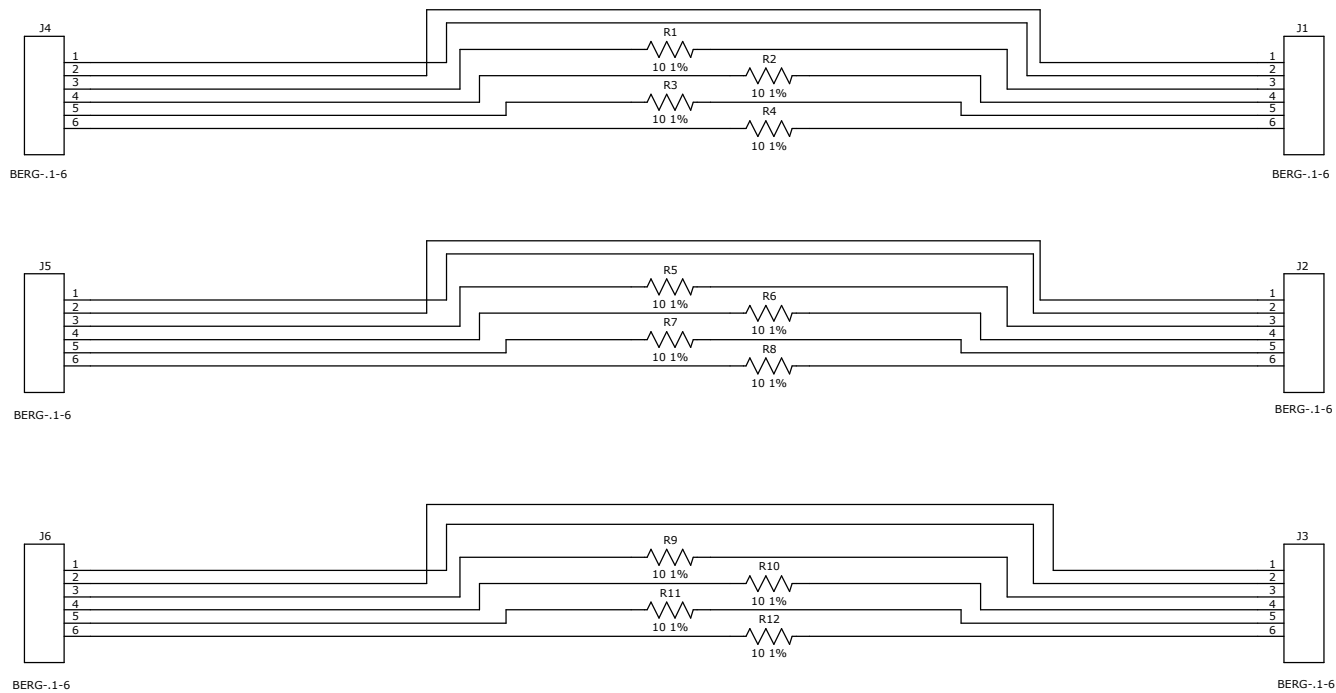
3

2

1

REVISION HISTORY

REV	ECO NO.	DESCRIPTION	CHANGED BY & DATE	CHECKED BY & DATE	EFFECTIVITY DATE
1		INITIAL RELEASE	BWF 03/22/07	GEH 03/22/07	03/22/07



UNLESS OTHERWISE SPECIFIED
DIMENSIONS ARE IN INCHES
TOLERANCES ARE:

.XX +/- 0.01 ANGLE: 0.5
.XXX +/- 0.001

PROPRIETARY NOTICE:
THIS DOCUMENT AND DATA DISCLOSED
HEREIN AND HEREWITH IS NOT
TO BE REPRODUCED, USED,
OR DISCLOSED IN WHOLE OR
ANY PART TO ANYONE WITHOUT
THE PERMISSION OF ALPHA RADIO PRODUCTS LLC.

COMPONENT TYPE = ELECTRICAL
CATEGORY = CUSTOM
DESIGNATION = NONE

PROJECT NO.
9500
ENGINEER:
G. HARDMANN DATE:
03/22/07
DRAWN BY:
B. FOCKEN DRAFT DATE:
03/22/07

DRAWING FILE:
BCX-X431_REV_1_SCH

PADS POWERLOGIC DRAWING

6185 ARAPAHOE RD.
BOULDER, COLORADO 80303
PHONE: (303) 473-9232
FAX: (303) 473-9660

ALPHA RADIO PRODUCTS LLC

TITLE:
SCH, 9500, STEPPER RESISTOR

SIZE
B

DRAWING #
BCX-X431

REV.
1

SCALE

SHEET 1 OF 1

