


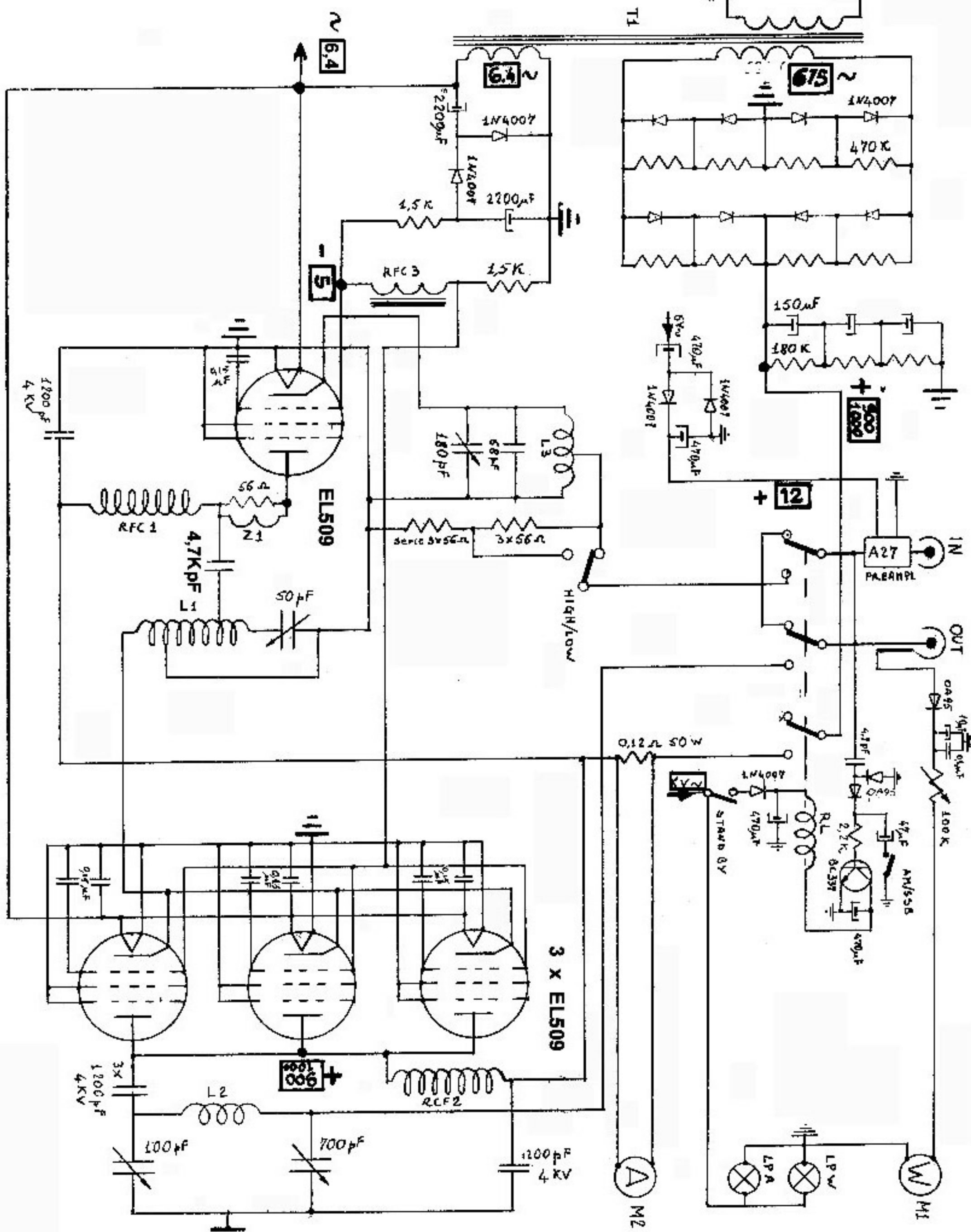


# K707 ELECTRIC DIAGRAM

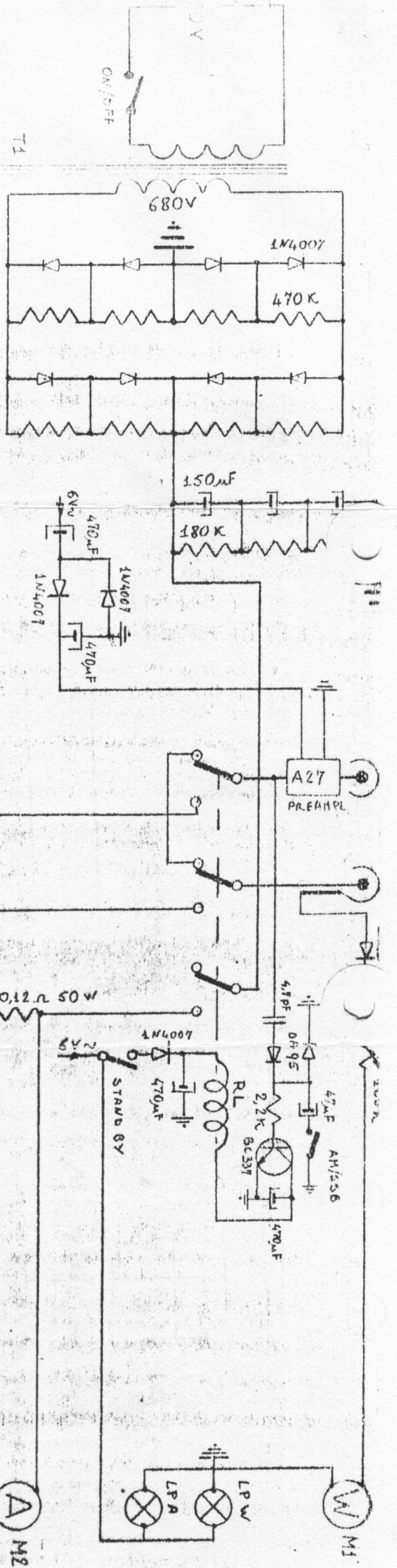
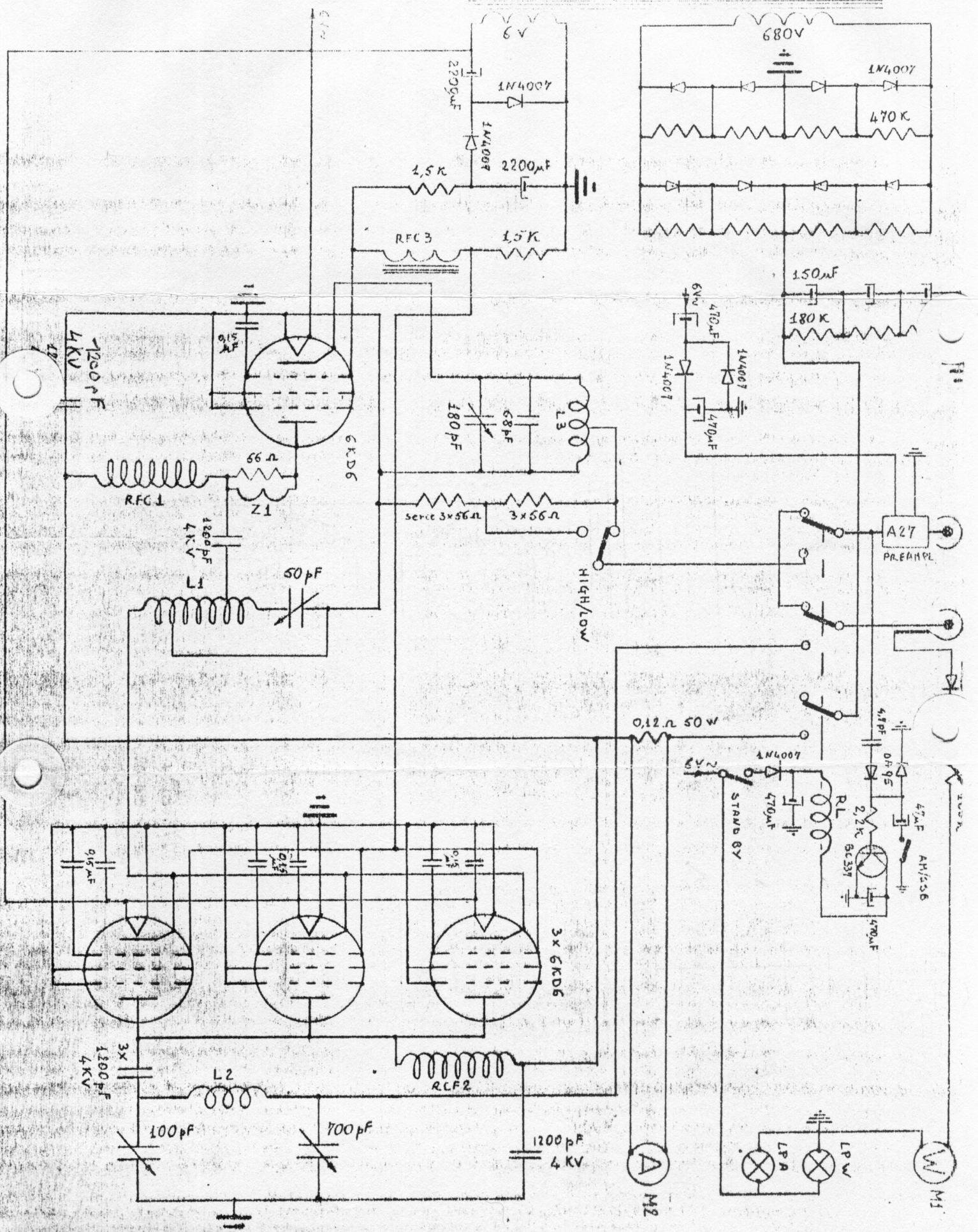
-  + VDC
-  - VDC (NEGATIVE)
-  ~ VAC



K 707 RMS



K 707



M2

M1

AH/AS6  
8C33T  
470 pF  
2.2K  
0.9 pF  
470 pF

A27  
PREAMPL

STANDBY  
6V  
1N4007  
470 pF

0.12 ohm 50W

HIGH/LOW

Series 3x56 ohm 3x56 ohm

RFC3

Z1

RFC1

L1

RFC2

L2

100 pF

700 pF

1200 pF

4KV

3x 6KD6

6KD6

6KD6

6V

680V

ON/OFF