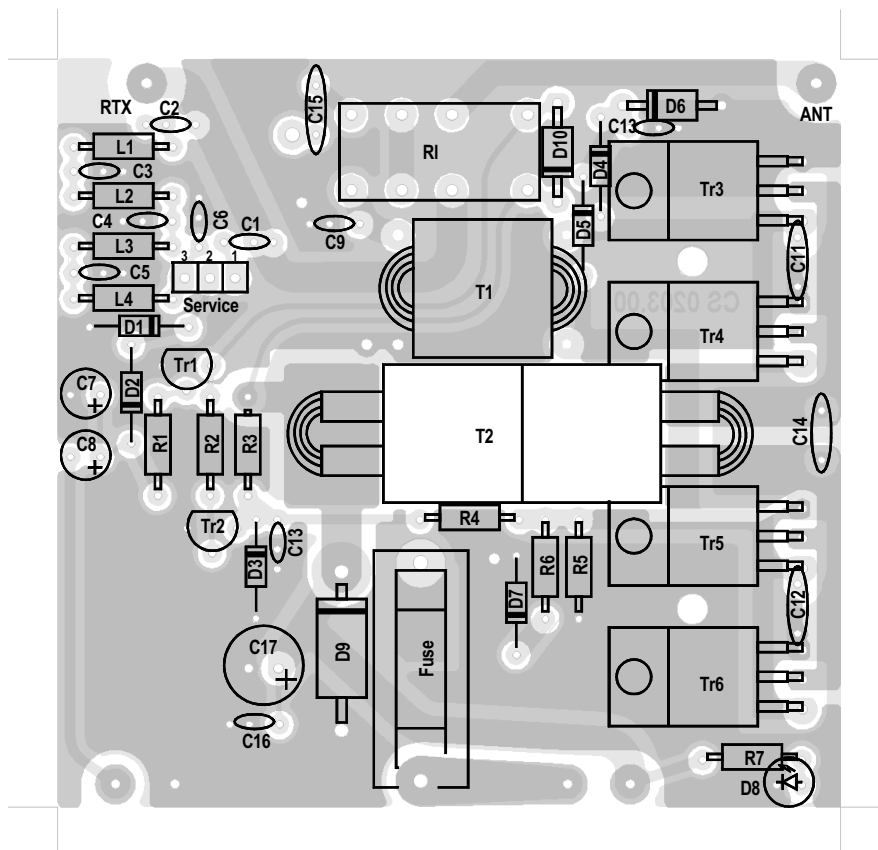
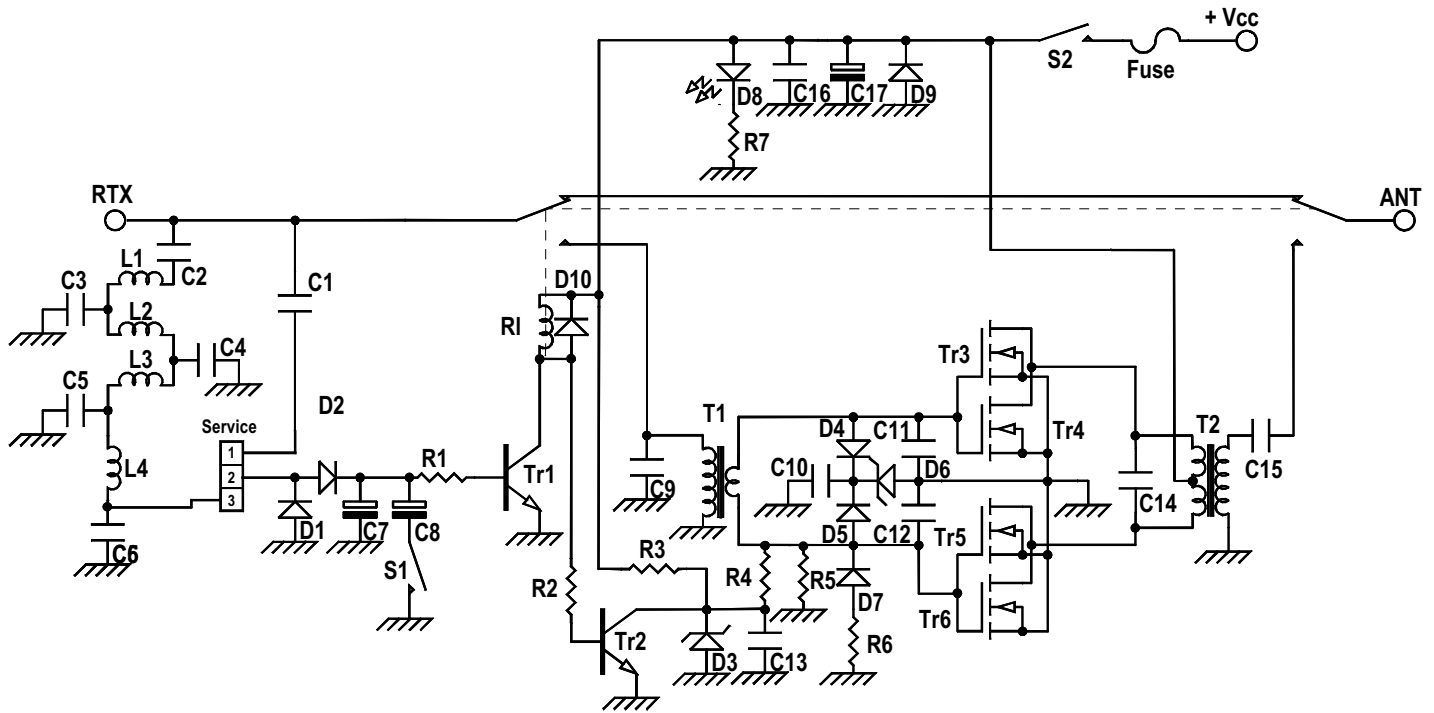


Mod. KL 203 linear amplifier

Schematic diagram

Version 4.10



List of components

C ₁	= 8,2 pF	50 V	N750	T ₂	= Output transformer
C ₂	= 3,3 pF	50 V	N750	Fuse	= 12 A
C ₃	= 180 pF	50 V	N750		
C ₄	= 180 pF	50 V	N750		
C ₅	= 180 pF	50 V	N750		
C ₆	= 27 pF	50 V	N750		
C ₇	= 4,7 μF	16 V			
C ₈	= 33 μF	16 V			
C ₉	= 150 pF	50 V	N750		
C ₁₀	= 10 nF	50 V			
C ₁₁	= 270 pF	50 V	N750		
C ₁₂	= 270 pF	50 V	N750		
C ₁₃	= 10 nF	50 V			
C ₁₄	= 120 + 100 pF	500 V	N750		
C ₁₅	= 180 pF	500 V	N750		
C ₁₆	= 100 nF	50 V			
C ₁₇	= 22 μF	16 V			
R ₁	= 2,2 KΩ	¼W			
R ₂	= 12 KΩ	¼W			
R ₃	= 1,0 KΩ	¼W			
R ₄	= 10 KΩ	¼W			
R ₅	= 3,3 KΩ	¼W			
R ₆	= 1,0 KΩ	¼W			
R ₇	= 1,0 KΩ	¼W			
D ₁	= 1N4148				
D ₂	= 1N4148				
D ₃	= Zener 7,5 V	½W			
D ₄	= 1N4148				
D ₅	= 1N4148				
D ₆	= Zener 20 V	1,3W			
D ₇	= 1N4148				
D ₈	= LED				
D ₉	= 1N5400				
D ₁₀	= 1N4004				
TR ₁	= BC 547				
TR ₂	= BC 547				
TR ₃	= MOS RM3				
TR ₄	= MOS RM3				
TR ₅	= MOS RM3				
TR ₆	= MOS RM3				
S ₁	= Switch (AM - SSB)				
S ₂	= Switch (ON - OFF)				
L ₁	= 2,2 μH				
L ₂	= 2,2 μH				
L ₃	= 2,2 μH				
L ₄	= 2,2 μH				
RI	= Relè 12 V 3022				
T ₁	= Input transformer				