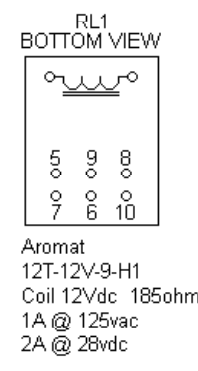
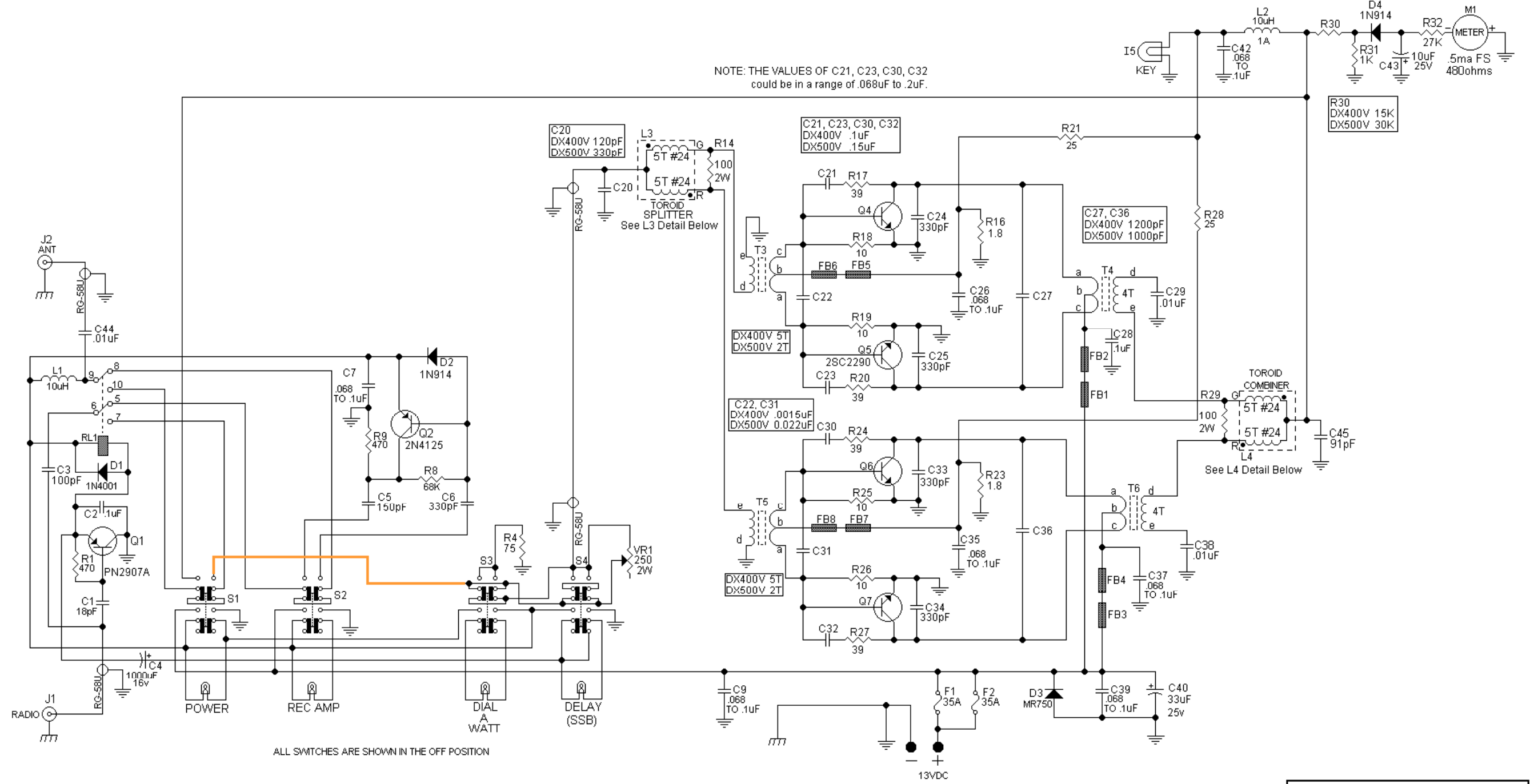
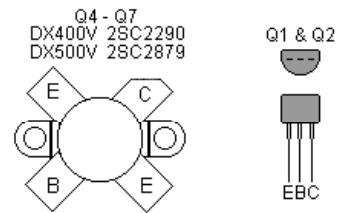


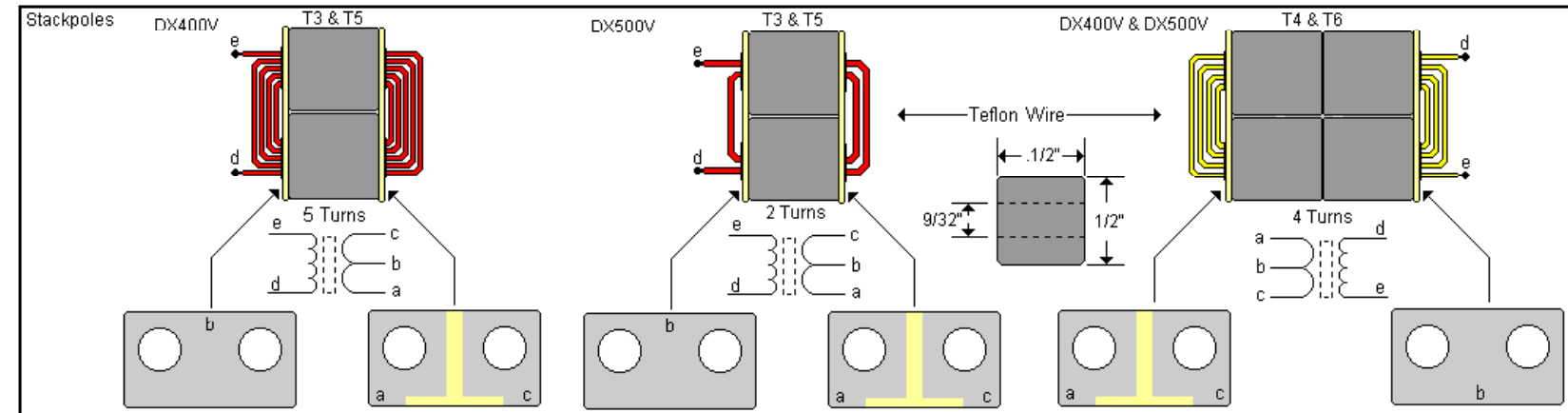
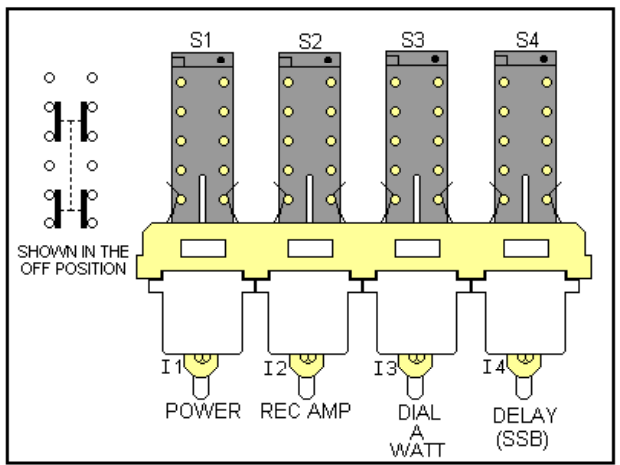
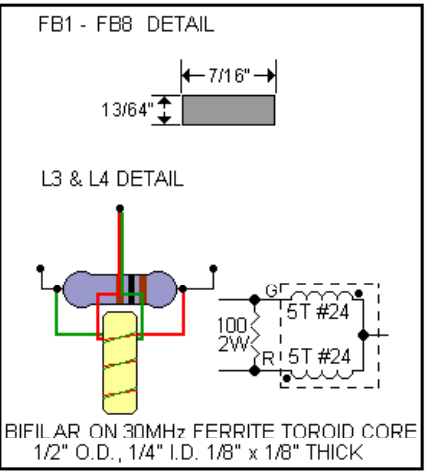
NOTE: THE VALUES OF C21, C23, C30, C32 could be in a range of .068uF to .2uF.



ALL SWITCHES ARE SHOWN IN THE OFF POSITION



- NOTE:**
1. The wire colors used in this diagram will vary from the amp. Also the wire color will vary from amp to amp.
 2. The component type will vary from amp to amp see text for more information.
 3. This diagram is based on current production (2001) out of Texas Star.



Texas Star DX400V & DX500V Amp
 CBTricks.com
 Rev. # 1.7
 Copyright © 2001, CBTricks.com All Rights Reserved
 Sep. 2001