

**Avanti Astro Plane
Radiates from the
top for greater
range**



6 good reasons to get an Astro Plane for higher performance

- 1.** It has top radiation which means that your signal gets out from the highest part of your antenna. Your signal radiates higher than most other antennas which radiate near the bottom. This extra height (up to 15 ft.) means you get increased range and fewer dead spots.
- 2.** The ASTRO PLANE has a lower angle of radiation which makes more efficient use of the radiated signal by allowing it to hug the curvature of the earth instead of shooting your power up into the sky.
- 3.** The ASTRO PLANE has 4.46 db gain (over an isotropic source) which gives you a stronger signal and better, clearer reception.
- 4.** You'll get long lasting, trouble free performance because it is compact in design—without long drooping radials, without coils to burn or short out, and with direct ground construction to dissipate static charges and lightning.
- 5.** You'll find it easy to install because of its lightweight construction (less than 5 lbs.) and only 12 feet of total height and 30 inches in diameter.
- 6.** All of these features need not cost you more money. Part of good engineering is how to make a better product for less money—by eliminating the coils for example we not only make the Astro Plane more reliable but cheaper. So you can buy this patented antenna for only \$34.95 and it's guaranteed for one full year against mechanical or electrical defects.

avanti

the pacesetter in high performance antennas

RESEARCH & DEVELOPMENT, INC.

340 Stewart Avenue, Addison, Illinois 60101

Quality the heart of **avanti** antennas

ASTRO PLANE ANTENNA Model AV-101

Co-inductive design of this patented antenna gives longer, more noise free performance.

ASTRO PLANE has top radiation which means that your signal gets out from the highest part of your antenna. Your signal radiates about 15 feet higher than with other antennas which radiate near the bottom.

The **ASTRO PLANE** has a lower angle of radiation which makes more efficient use of the radiated signal by allowing it to hug the curvature of the earth instead of shooting your power up into the sky.

The **ASTRO PLANE** has 4.46 db gain over isotropic which gives you a stronger signal and better, clearer reception.

You'll get long lasting, trouble free performance because it is compact in design — without long drooping radials, without coils to burn or short out, and with direct ground construction to dissipate static charges and lightning.

The only omni-directional antenna that radiates from the top . . . not the bottom • Stainless steel radials concentrate signal power on top • Rigid heavy-duty aluminum tubing • No long drooping radials to ice up or break off • So unique it's backed by a U.S. Patent (Patent #3587109) • No coils to burn out or detune • Easy Assembly • Lightweight — easy to install on simple pipe mast



Ordinary ceiling or ground plane antenna signals are blocked . . . they radiate from the bottom.



ASTRO PLANE gets its signal over obstacles . . . it radiates from the top.

SPECIFICATIONS

Total Length—12 feet

Weight—4 lbs.

Power Gain—4.46 db

Impedance—50-52 ohms

Omnidirectional—needs no rotor

Vertical Polarity
Aircraft Quality Aluminum

SWR—Pre-tuned—Less than 1.2:1 on 23 CB Channels and will operate on expanded channels.

high performance **CO-INDUCTIVE** antennas

avanti

RESEARCH AND DEVELOPMENT, INC.

340 Stewart Avenue, Addison, IL 60101

(312) 543-9350 • Telex 728-410

In Canada: Carcon Import Co., Ltd.

1412 DeBullion Street, Montreal, Quebec, Canada H2X2Z6

Stainless Steel
Top Radials

Compact Design

12' of omni-
directional
performance

Low Angle of
Radiation

Aircraft Quality
Seamless
Aluminum

Lightweight

AVANTI[®] ASTRO PLANE[™] CB Base Antennas give you patented performance!

CO-INDUCTIVE design of this patented antenna gives long range, noise free performance.

The result of years of research & development, the ASTRO PLANE has top radiation which means that your signal gets out from the highest part of your antenna. Your signal radiates about 15 feet higher than with other antennas which radiate near the bottom.

The ASTRO PLANE has a lower angle of radiation which makes more efficient use of the radiated signal by allowing it to hug the curvature of the earth instead of shooting your power up into the sky.

The ASTRO PLANE has 4.46 db gain over isotropic which gives you a stronger signal and better, clearer reception.

You'll get long lasting, trouble free performance because it is compact in design—without long drooping radials, without coils to burn or short out, and with direct ground construction to help dissipate static charges and lightning.

- Stainless steel radials concentrate signal power on top
- Rigid heavy-duty aluminum tubing
- No long drooping radials to ice up or break off
- So unique it's backed by a U.S. patent (Patent #3587109)
- No coils to burn out or detune
- Easy assembly
- Lightweight — easy to install on simple pipe mast



Ordinary collinear or ground plane antennas signals are blocked...they radiate from the bottom.



ASTRO PLANE gets its signal over obstacles...it radiates from the top.

SPECIFICATIONS

Total Length — 12 feet	Vertical Polarity
Weight — 4 lbs.	Aircraft Quality Aluminum
Power Gain — 4.46 db	SWR — Pre-tuned — Less than 1.2:1
Impedance — 50-52 ohms	band width — full 40 channels
Omnidirectional — needs no rotor	

high performance **CO-INDUCTIVE**[™] antennas

Avanti makes a complete line of high performance mobile CB antennas and accessories. For free catalog, write:

avanti

creators of the famous

MOONRAKER

AVANTI RESEARCH AND DEVELOPMENT, INC., 340 Stewart Avenue, Addison, IL 60101

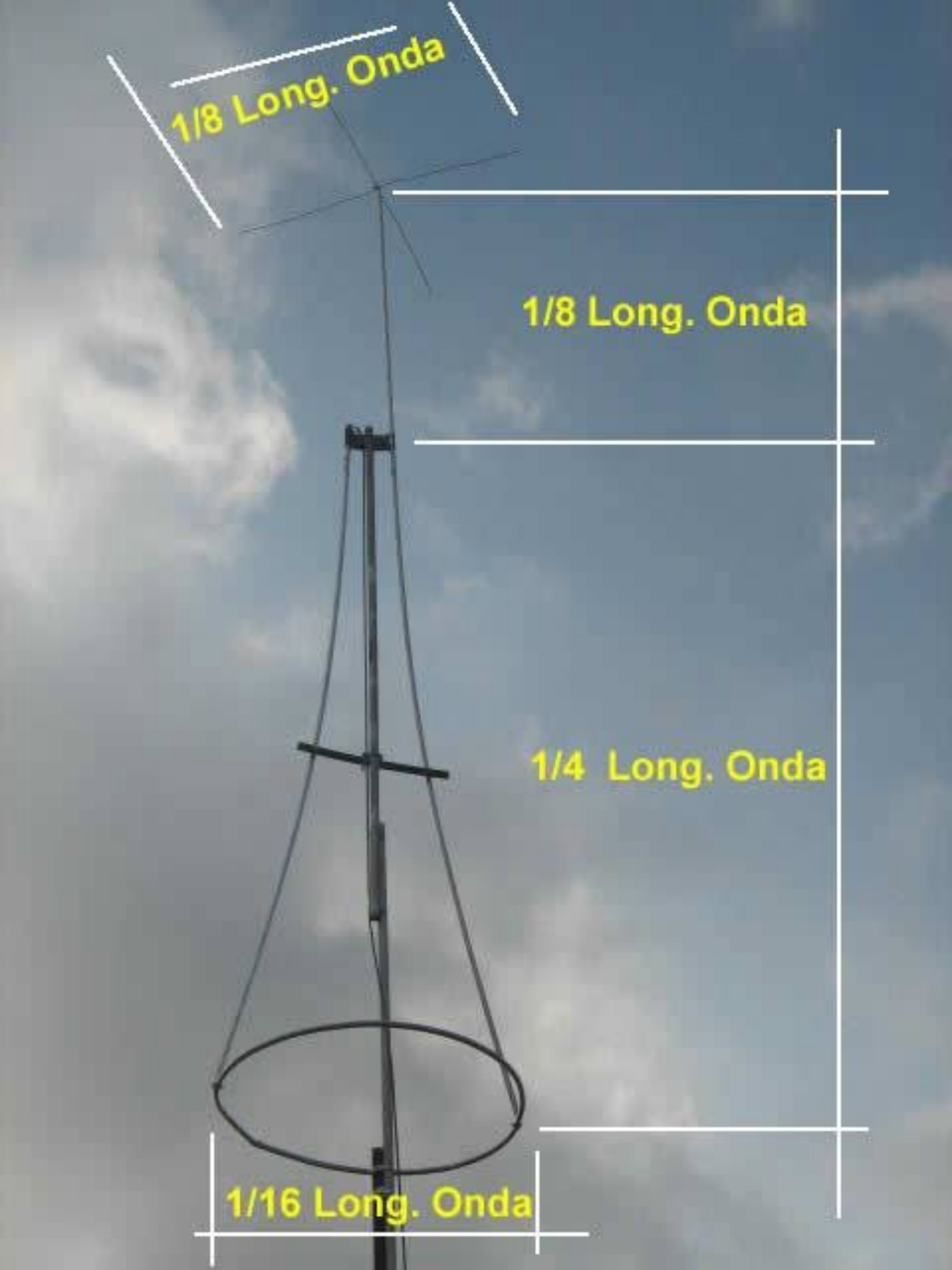


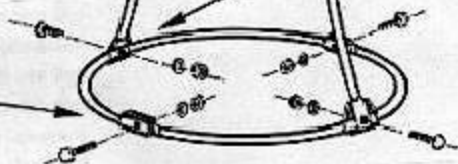
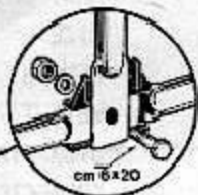
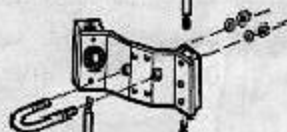
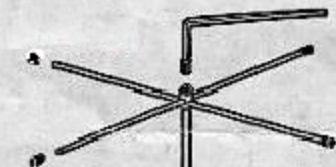
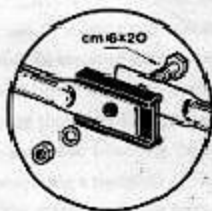
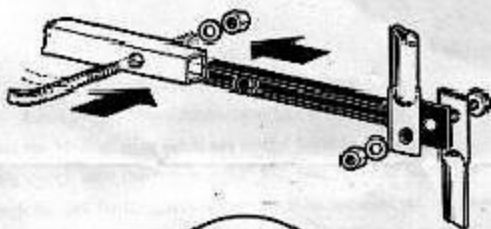
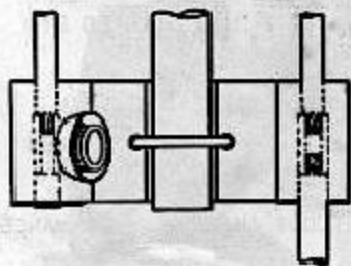
$1/8$ Long. Onda

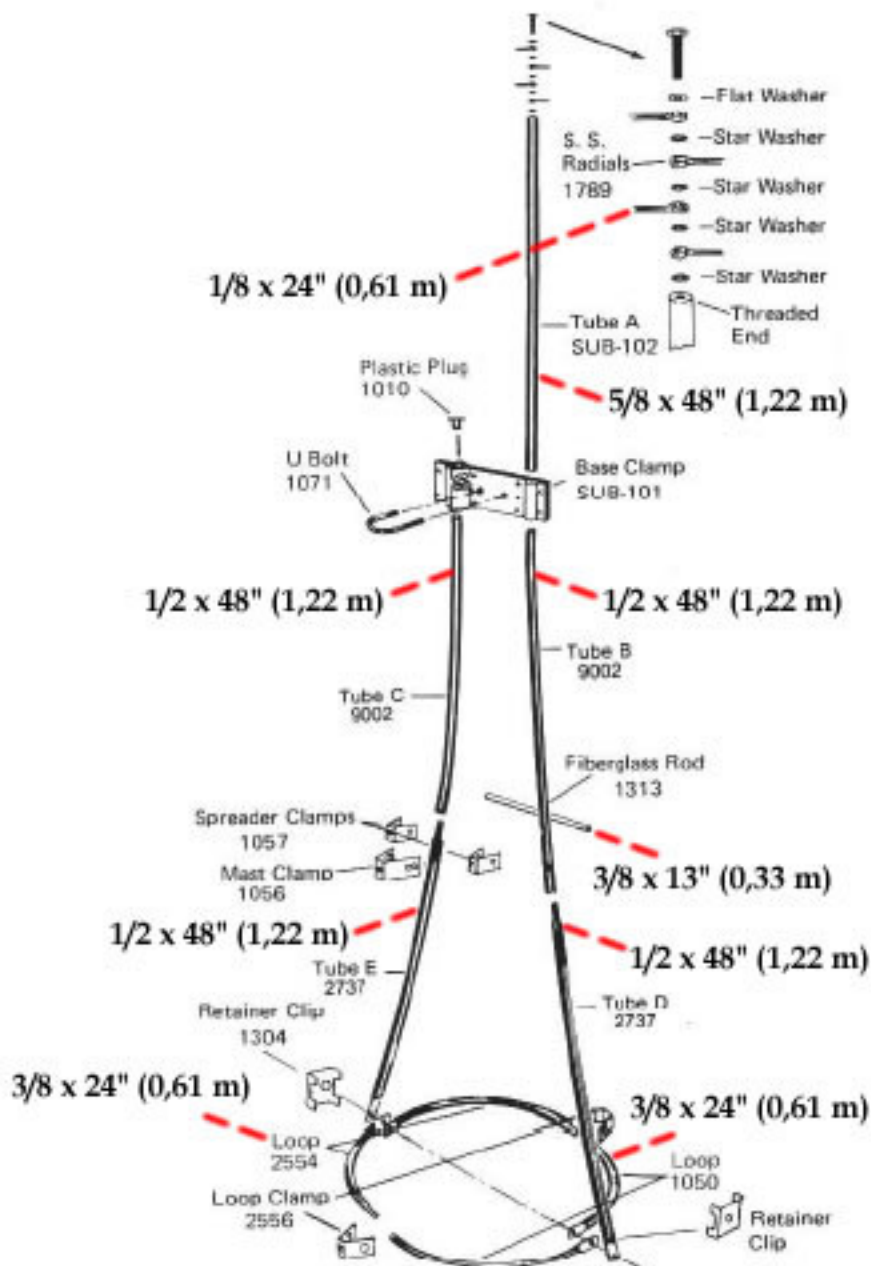
$1/8$ Long. Onda

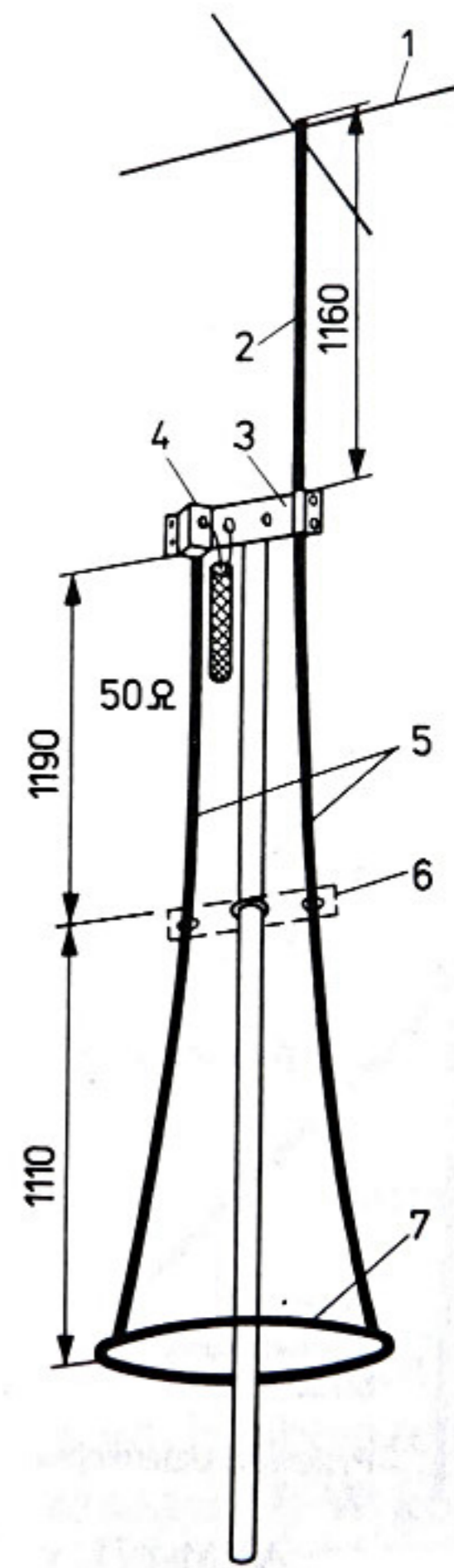
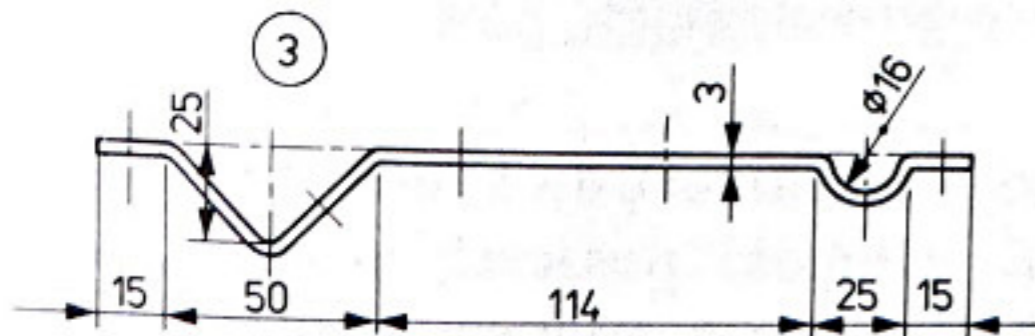
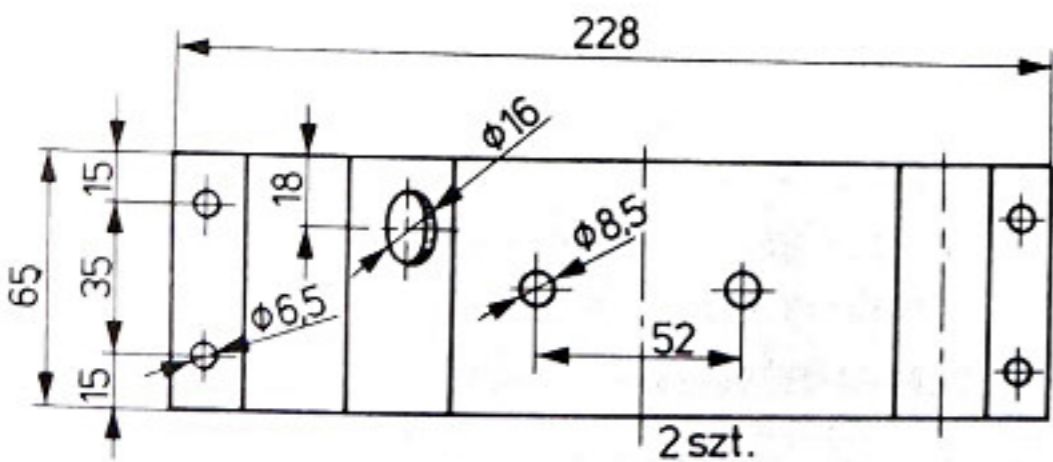
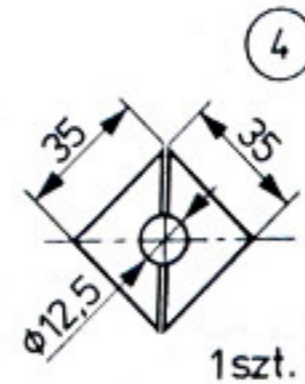
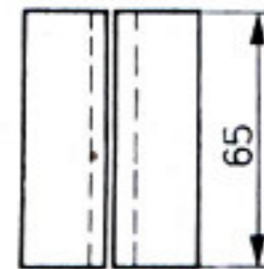
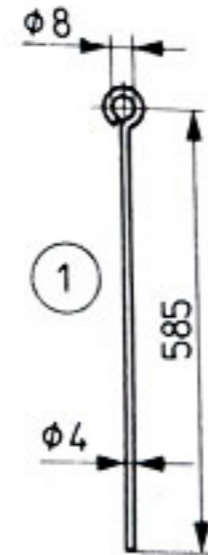
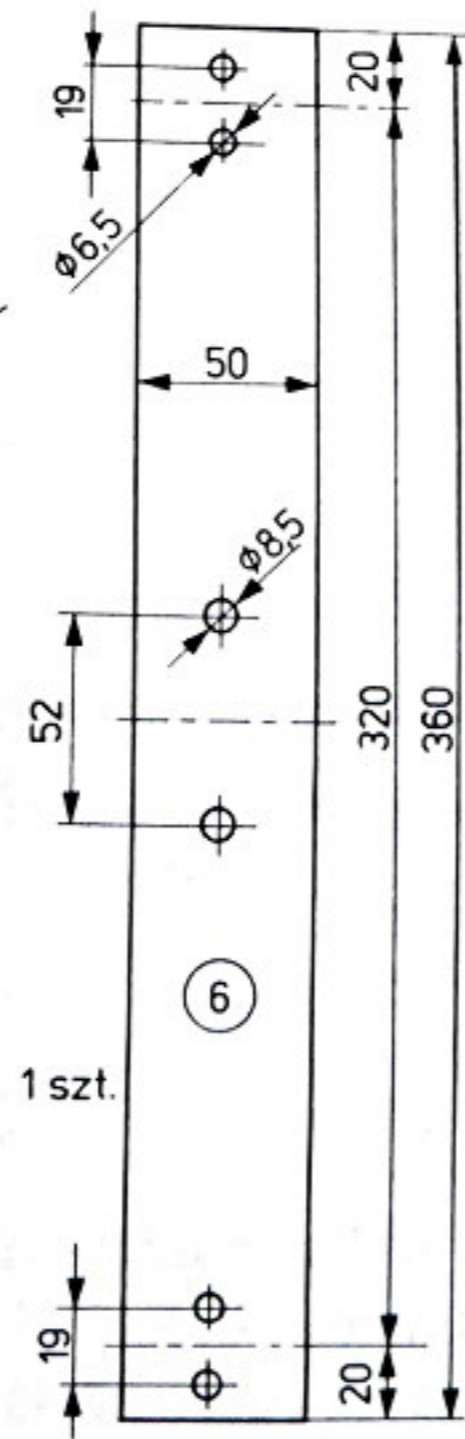
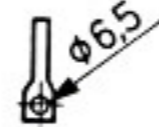
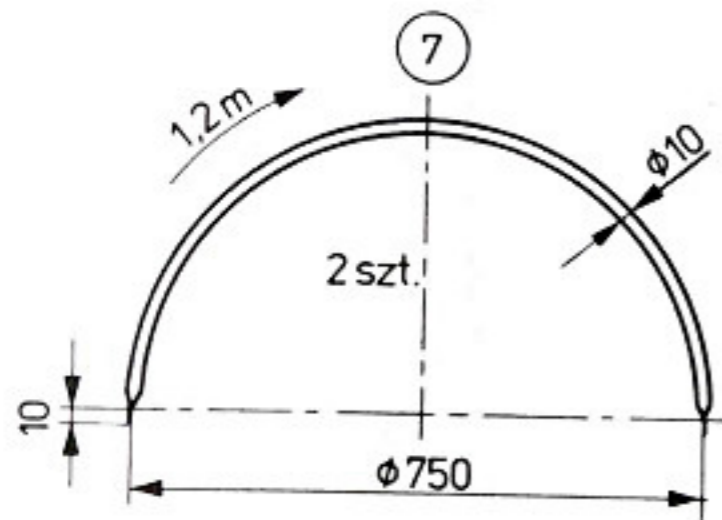
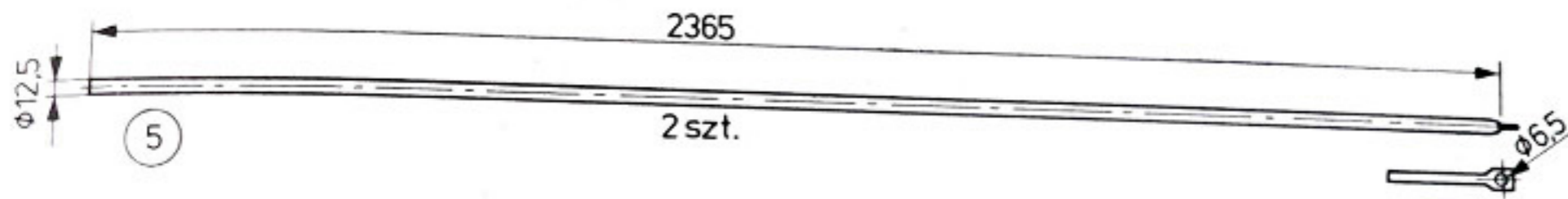
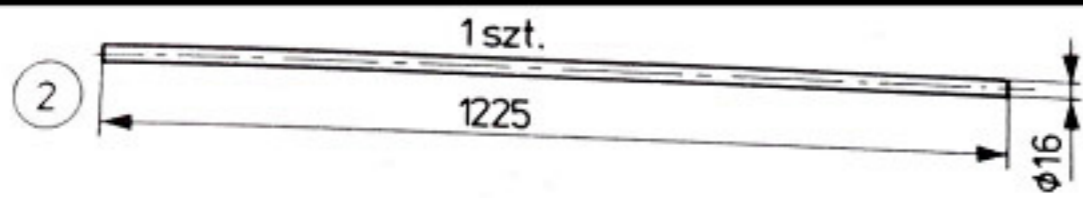
$1/4$ Long. Onda

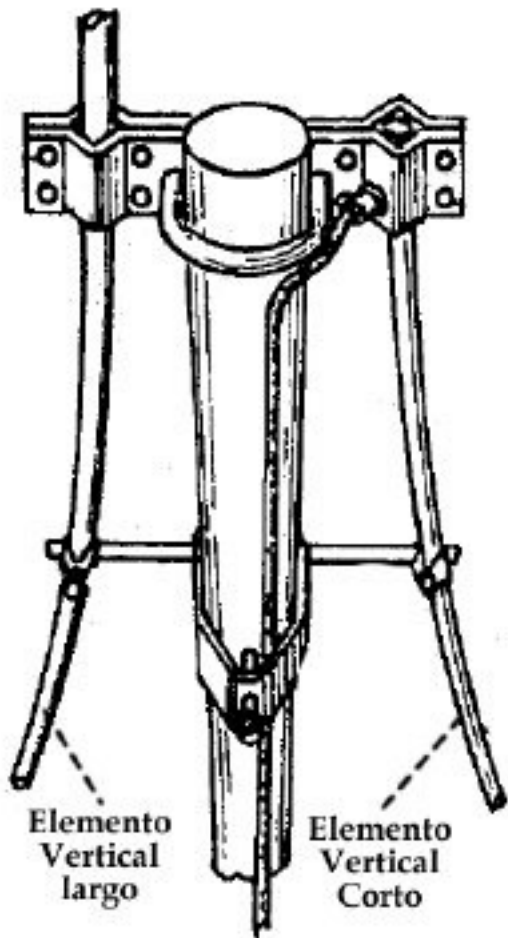
$1/16$ Long. Onda











Tubo vertical
elemento pequeño

Taco de Hule



Abrazadera
(Aluminio)

Hule

Separador de los dos
elementos verticales
(Aluminio)

Al transmisor